

# PARTS LIST

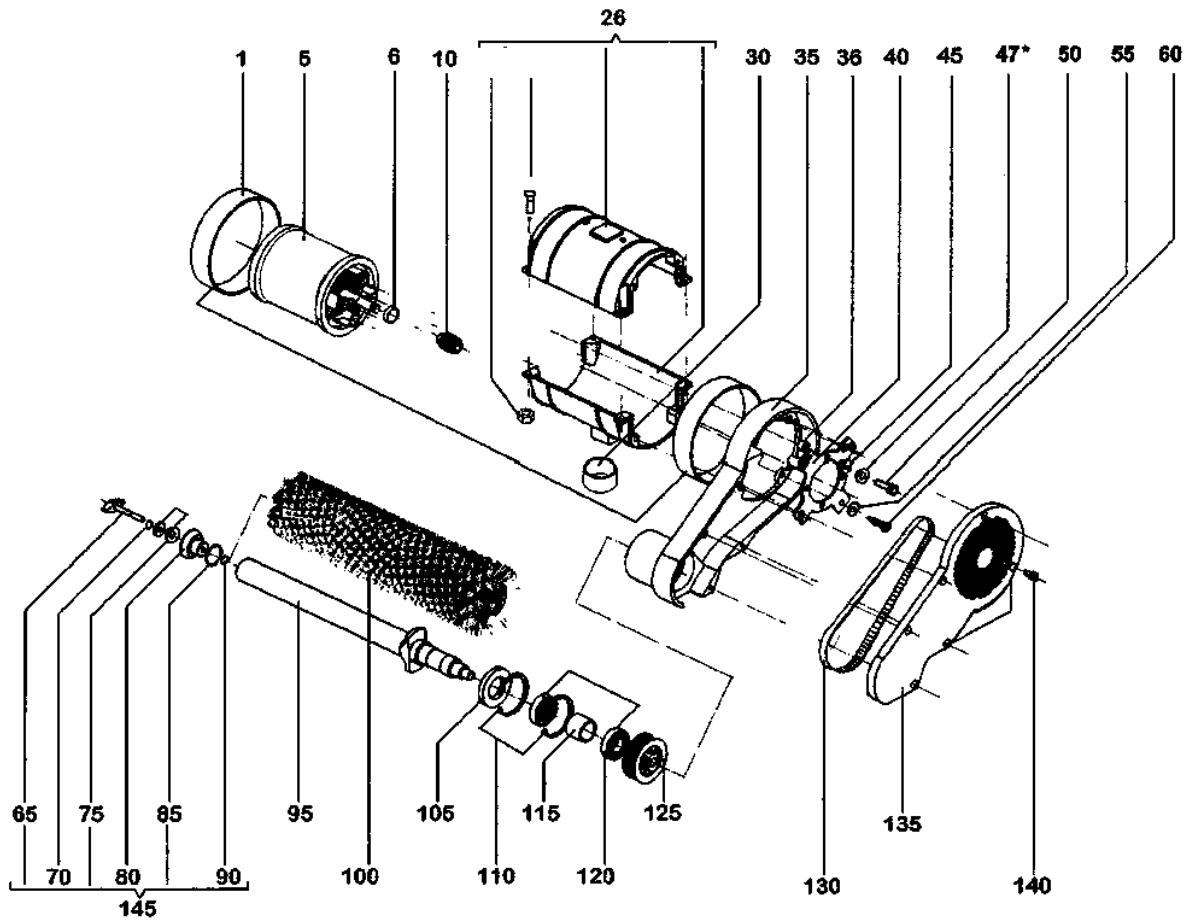


2017.04.05

# TABLE OF CONTENTS

---

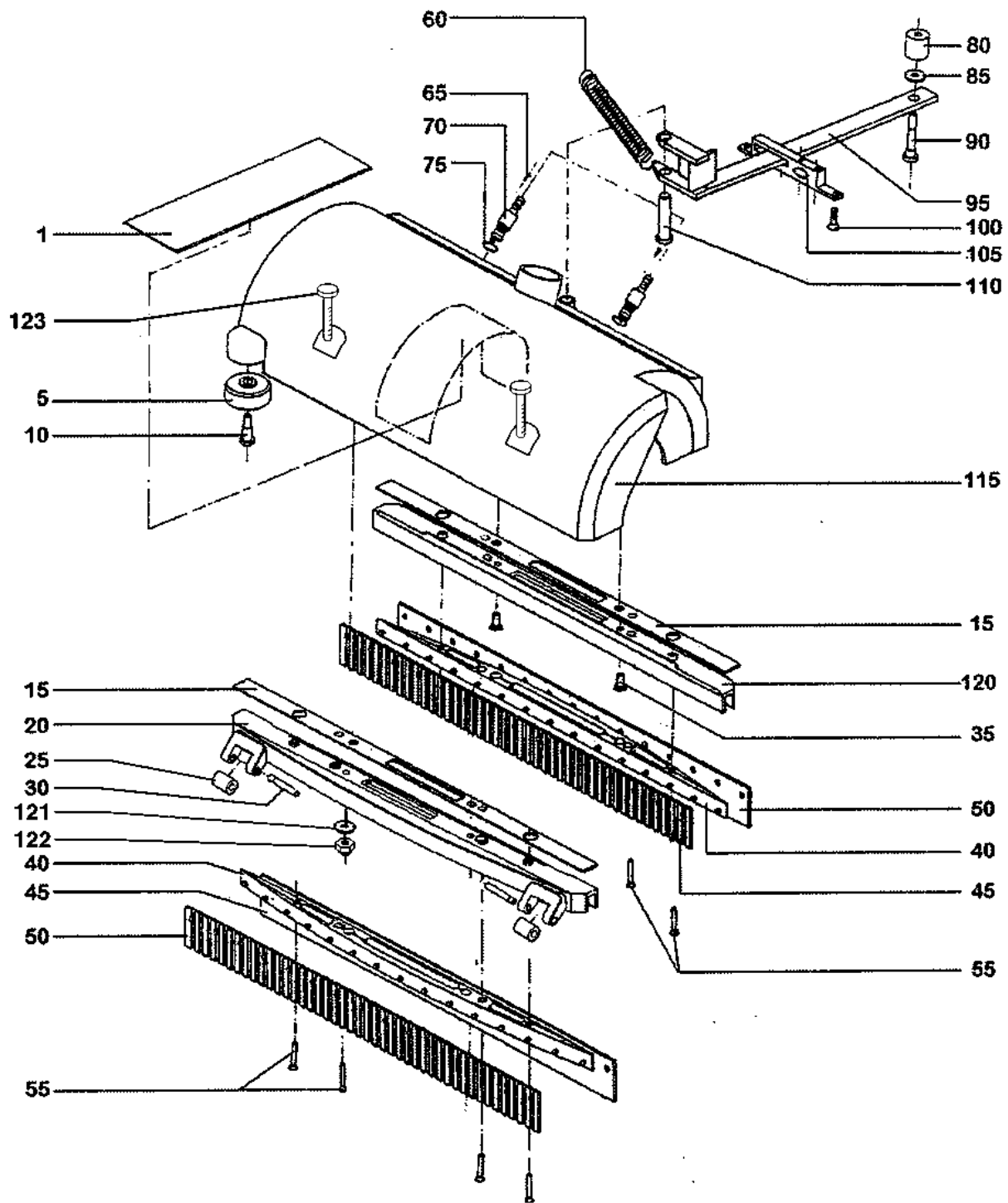
Brush drive system .....	1
Squeegee assembly .....	3
Vacuum system .....	5
Frame system .....	7
HÅNDTAGSSTANG .....	9
Chassis system .....	11
Wiring system .....	13
Wiring diagram .....	15
Two- tank version .....	17
Membrane tank version .....	19
Solution system .....	21



Resource notes:

POSITION 5. 909 5985 000 IS GOING OUT OF STOCK WILL BE REPLACED BY POSITION 5. 9099950000

Pos.	Vare-nr	Antal	Beskrivelse	Notes
00	L08425200	1	Cylinderbørste nylon blå 330 mm Ø100	
00	L08425300	1	Cylinderbørste Aglite Grit 500 mm	
00	9099521000	1	WEAR PACK KIT	
00	L08603044	1	Gummilæbe udvendig hvid	
00	L08603042	1	Gummilæbe indvendig blå	
00	L08603110	1	Filter, Motor Ca/Ba340	
00	9099522000	1	WEAR PACK SICA BRUSH KIT	
00	L08603096	1	Filter, Snavsvand Ca340	
01	L08603022	2	RING RUBBER	
05	9099950000	1	MOTOR BRUSH 115V 50HZ KIT	
05	9099665000	1	MOTOR BRUSH	
10	L08603750	1	Drivrulle BA/Ca340	
100	L08425200	1	Cylinderbørste nylon blå 330 mm Ø100	
100	L08425300	1	Cylinderbørste Aglite Grit 500 mm	
105	L08603005	1	Tætningsring F/Ca340 F/Børstevalse	
110	33006181	2	Seeger J52	
115	L08603008	1	Afstandsstk. F/Ca340 F/Børstevalse	
120	1467640000	2	BEARING BALL 6205 DDU SIP	
125	L08603009	1	Drivrulle Ca340	
130	L08603177	1	Drivrem Ca340, Børste	
135	L08603001	1	Beskyttelseskappe F/Ca340 Kappe For Børs	
140	145 1964 000	6	Skrue M6X12 Uni5931	
145	9099514000	1	Hardware Brush Fixing Kit	
26	L08603253	1	SHELL SCREWED FOR EL.MOT.	
30	L08603023	1	RING RUBBER	
35	L08603010	1	Dæksel, Gear BA/Ca 340	
36	L08603018	4	SPACER 7.5X12X8	
40	L08603016	1	FLANGE BRUSH MOTOR	
45	L08603017	4	SPACER	
47		4		
50	L08812104	4	SCREW M5X18 CAP HD HEX SOCK ISO4762	
55	1466530000	1	WASHER PLAIN M6X18 ISO7093 10 PCS SET	
60	33004346	4	SCREW M6X20 CAP HD HEX SOCK ISO4762	
65	L08603241	1	Skrue, Børste BA/Ca340	
75	L08812686	2	Skive	
80	L08603004	1	BUSH BRUSH FIXING	
85	L08095000	1	Tætning	
90	L08601534	1	RING RADIAL D 5 UNI7434	
95	L08603003	1	Shaft	

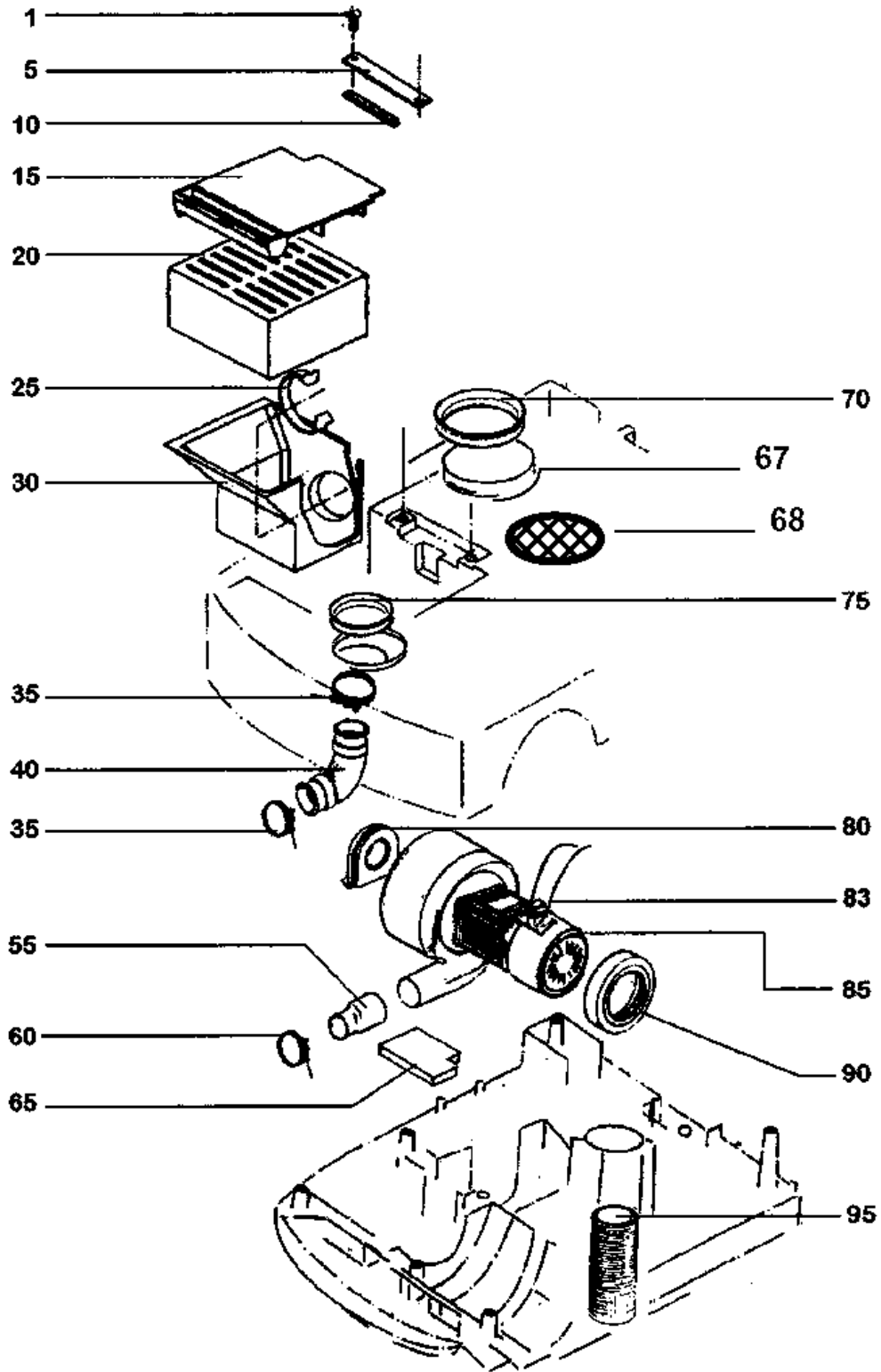


Resource notes:

Pos.	Vare-nr	Antal	Beskrivelse	Notes
00	9099518000	1	Sugemundstykke Bag Kompl	[1]
00	9099515000	1	Sugehoved Komplet	[2]
00	9097353000	1	Sugegummi kit polyurethan 440 mm	[3]
00	9099516000	1	COVER BRUSH KIT	[4]
00	9099517000	1	Sugemundstykke For Kompl	[5]
01	L08603026	1	Dæksel, Sugemundst. Ba340	
05	L08603027	2	Stødhjul F/Ca340 F/Sugeskjold	
10	L08220100	2	Skruer	
100	L08603378	2	Skruer For Ca340	
105	L08812009	1	Guide	
110	L08603036	1	Møtrik F/Ca340 F/Forbindelsesstang	
115	L08603728	1	Hoved For Sugemundstykke	
120	L08603038	1	Holder, Sugeg. BA/Ca340	
15	L08603039	2	Pakning, Mundstyk. Ba340	
20	L08603397	1	Holder, Sugegummi Ba340	
25	L08603402	2	Hjul, Sugedyse BA/Ca340	
30	L08812122	2	Spiralstift	
35	L08603744	2	Skruer M 5X16 Inox	
36	L08603733	2	SCREW M4X40 UNI7687 SS	
37	9100001912	1	WASHER PLAIN M4X9SS ISO7089 10 PCS SET	
38	L08603685	2	Nut M4 Inox	
40	L08603040	2	Skinne til sugegummi	
45	L08603044	2	Gummilæbe udvendig hvid	
50	L08603042	2	Gummilæbe indvendig blå	
55	L08603203	8	Skruer M5X25 Ca340 Sugemundstk.	
60	L08603037	1	Fjeder F/Ca340 F/Løft Af Sugehoved	
65	L08603359	2	Skruer F. Låg Ba340	
70	L08603357	2	Spray Mundstykke F.Ca340	
75	L08603358	2	Pakning F/Spray Mundstyk.	
80	9100002198	1	LEVER BRUSH FIXING KIT	[6]
95	L08603031	1	Løftearm F/Ca340	

## Part Notes:

- [1] - includes pos.15-35-40-45-50-55-120
- [2] - includes pos.1-5-10-15-20-25-30-35-40-45-50-55-65-70-75-115-120-121-122-123
- [3] - includes pos.45-50
- [4] - includes pos.65-70-75-115-121-122-123
- [5] - includes pos.15-20-25-30-40-45-50-55-123
- [6] - Included Item No.80, 85, 90



Resource notes:

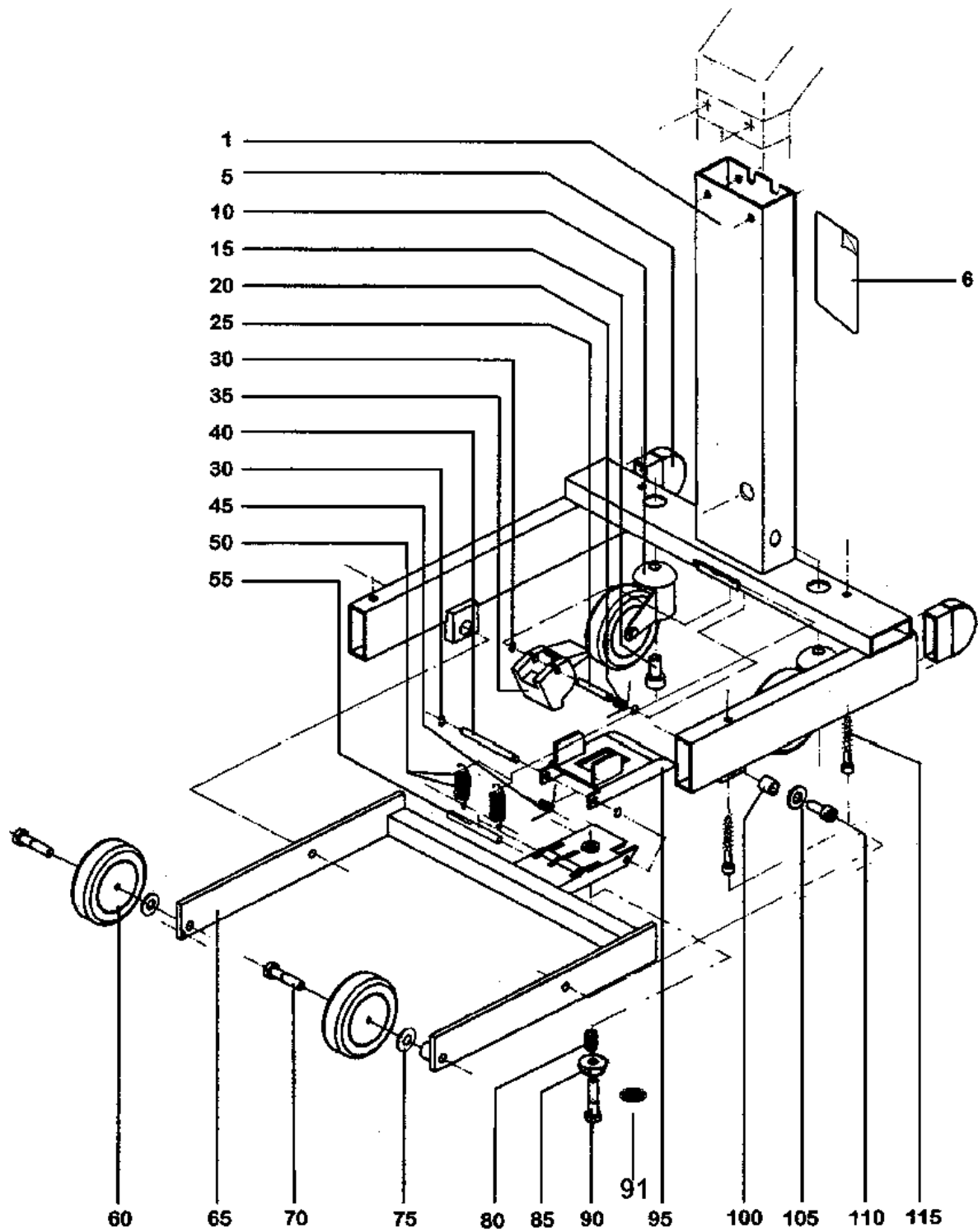
POSITION 83 NO LONGER AVAILABLE BY THE SUPPLIER

Pos.	Vare-nr	Antal	Beskrivelse	Notes
00	L08812119	1	TURBINE SET	[1]
01	L08601157	2	Screw	
05	L08603187	1	Strip F. Ca340 Filter	
10	L08603188	1	Fjeder F. CA 340 Filter	
15	L08603108	1	Låg, Lyddæmper BA/Ca340	
20	L08603104	1	Lyddæmper Ca340	
25	L08603174	1	Spændring F/Ca340 F/Sugemotor	
30	L08603103	1	Lyddæmpning, Bund Ca340	
35	L08600269	2	Slangeklemme C38	
40	L08603092	1	Sugeslange Ca340	
55	L08603101	1	Udblæsningslange Ca340 F/Sugemotor	
60	L08601663	1	Hose Clamp F.Ca340	
65	L08603102	1	PANEL DAMPER	
67	L08603096	1	Filter, Snavsvand Ca340	
68	L08603097	1	Filterrist F/Ca340 F/Snavsevandstank	
70	L08603095	1	Pakning F/Ca340 F/Snavsevandstank	
75	L08603094	1	Pakning F/Ca340 F/Sugeslange	
80	L08603098	1	Pakning F/Ca340 F/Sugemotor	
83	L08812118	1	STRAND WIRE	[2]
85	L08603260	1	MOTOR VACUUM 120V 60HZ 5.7 2ST	
85	909 5040 000	1	Sugemotor	
90	L08603100	1	Pakning F/Ca340 F/Sugemotor	
90	L08812029	1	Pakning F.Ca340/Ca340Et	[3]
95	L08603110	1	Filter, Motor Ca/Ba340	

## Part Notes:

- [1] - TURBINE CPL WITH GASKET - NOT SHOWN
- [2] - ITEM NO LONGER AVAILABLE
- [3] - GUARANTEE DATE EXPIRED



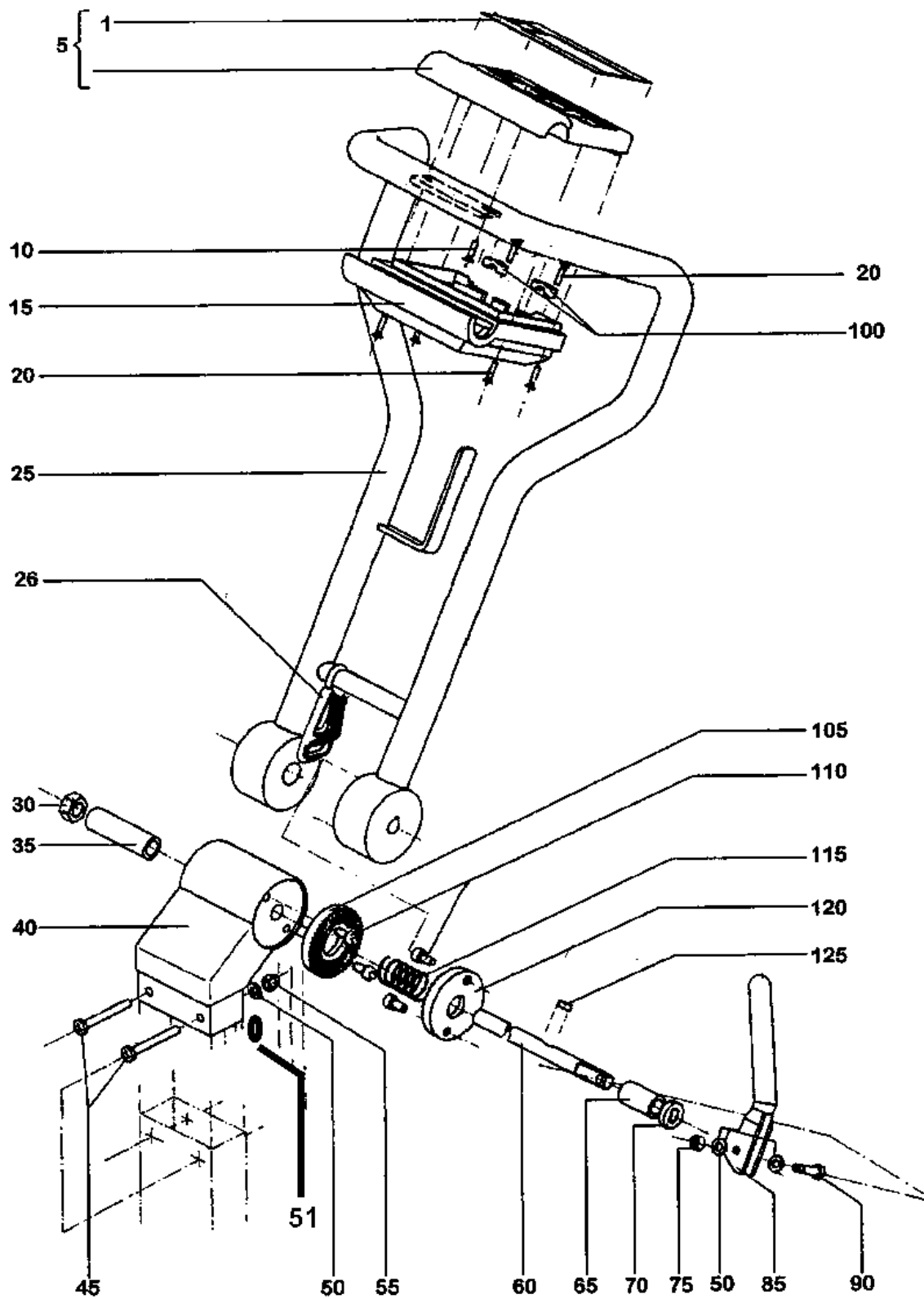


Resource notes:

Pos.	Vare-nr	Antal	Beskrivelse	Notes
00	9099520000	1	PEDAL BRUSH LIFTING KIT	
01	L08812002	1	FRAME COATED RAL 9005	[1]
01	L08603066	1	FRAME	
05	L08603068	2	Endestykke F/Ca340 F/Kørestel	
06	L08603214	1	DECAL INSTRUCTIONS	
10	L08603076	2	Hjul BA/Ca340, Bag (1stk)	
100	L08603055	2	BUSH	
105	9100001351	1	WASHER PLAIN M8 ISO7089 SS 10 PCS SET	
110	L08812803	2	SCREW M8X20 CAP HD HEX SS ISO4762 SCOTCH	
115	L08603377	4	Screw Plated Kb60X25	
15	145 5742 000	2	SCREW M10X20 CAP HD HEX SOCK ISO4762	
20	L08603071	1	Fjeder	
25	L08603069	1	Bolt F/Ca340 Løftesystem	
30	L08603183	4	Låsering F/Ca340 F/Løftesystem	
35	L08603354	1	Pedal, BA/Ca340	
40	L08603356	1	Bolt	
45	L08603075	1	Fjeder	
50	L08603061	2	Fjeder F/Ca340 F/Løftepedal	
55	L08603062	1	Shaft	
60	9100000701	2	Hjul grå kit Ø75x28	
65	L08603057	1	Lifting Frame	
70	L08603181	2	SCREW M8X35 HEX HD SS ISO4017 SCOTCH-GRI	[2]
75	9100001351	1	WASHER PLAIN M8 ISO7089 SS 10 PCS SET	
80	L08603064	1	Fjeder F/Ca340 F/Løftepedal	
85	L08603065	1	Justerskruehoved F/Ca340 Plastik F/Munds	
90	L08603063	1	Justerskrue M8X35 F/Ca340 F/Sugemundstk.	
91	L08603746	1	Hætte, Pedalskrue Ba340	
95	L08603355	1	Sænkkn.Pedal F.Ca/Ba340	

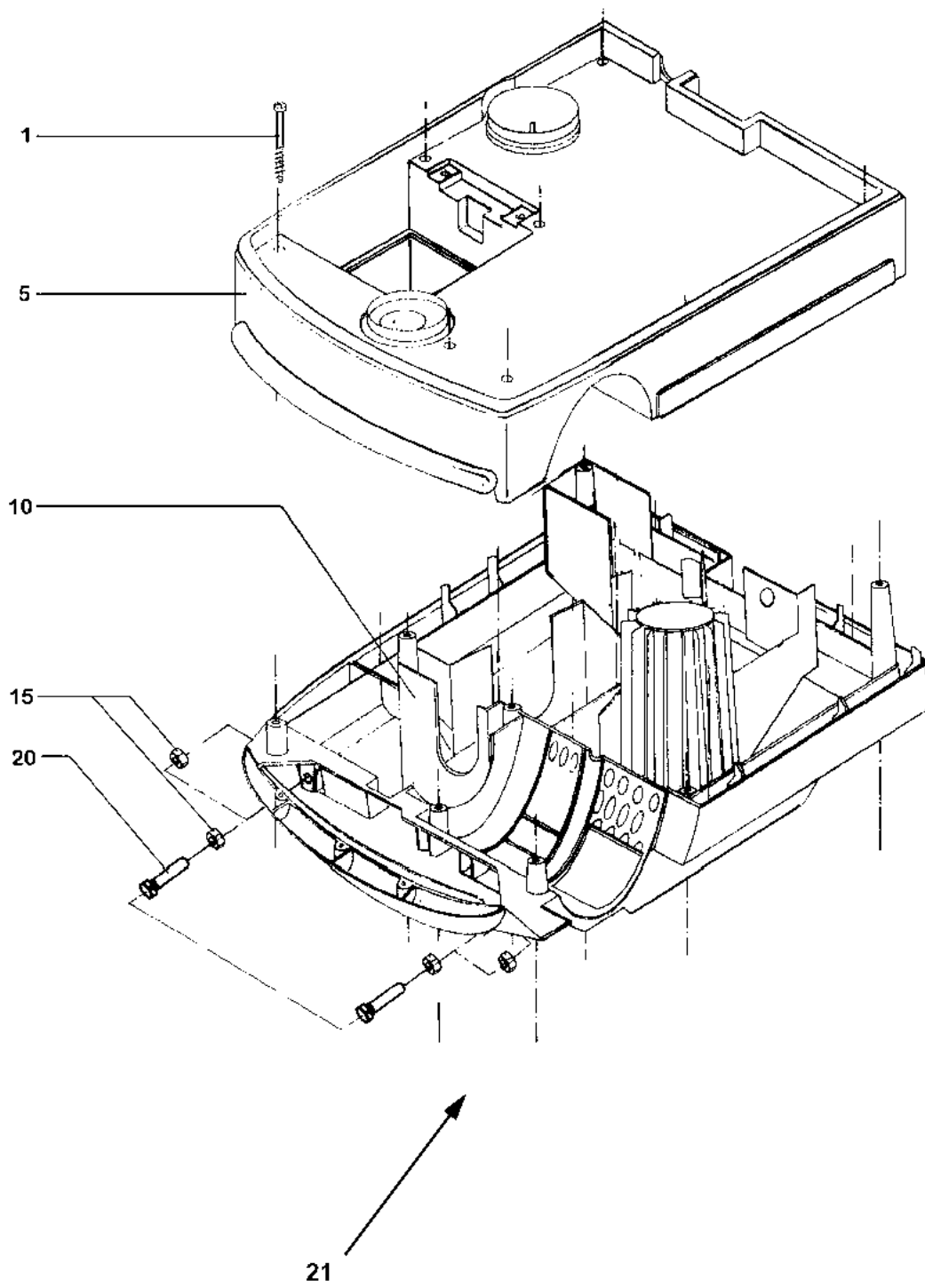
Part Notes:

- [1] - GUARANTEE DATE EXPIRED
- [2] - ALT.USE KIT 9100000701



Resource notes:

Pos.	Vare-nr	Antal	Beskrivelse	Notes
01	L08603155	1	DECAL CONTROL PANEL	
05	L08603231	1	Forplade F.Kontrolhåndtag	
10	L08603244	2	SCREW 3.9X13 SELF PAN HD PHIL ISO7049	
100	L08600168	2	BLOCK CABLE FIXING	
105	L08603137	1	Tandhjulsskive F/Ca340 F/Håndtagsreguler	
110	L08600149	4	Skruer	
115	L08603144	1	Fjeder F/Ca340 F/Håndtagsregulering	
120	L08603138	1	Tandhjulsskive F/Ca340 F/Håndtagsreguler	
125	L08603141	1	Key	
15	909 5847 000	1	HOUSING SWITCH LOWER	
20	L08603192	8	Skruer	
25	L08603145	1	HANDLE BAR	
26	L08601101	1	HOLDER CABLE	
30	L08601000	1	Låsemøtrik M12 F/Ca340 F/Håndtagsreguler	
35	L08603142	1	Afstandsstk. F/Ca340 F/Håndtagsregulerin	
40	L08603136	1	Housing	
45	L08603190	2	Screw	
50	33023208	2	WASHER M8 UNI6592 10 PCS SET	
51	33005851	2	Skive M6 Uni1751B	
55	L08050200	2	NUT HEX M6 DOMED CAP HIGH DIN1587	
60	L08603140	1	Aksel F/Ca340 F/Håndtagsregulering	
65	L08603191	1	Afstandsstk. F/Ca340 F/Justergreb	
70	L08603143	1	Spændeskive F/Ca340 F/Justergreb	
75	33005604	1	Self-Locking Nut M6	
85	L08603146	1	Lever	
90	L08603175	1	SCREW M6X25 HEX HD P/THD 4.8 ISO4014	

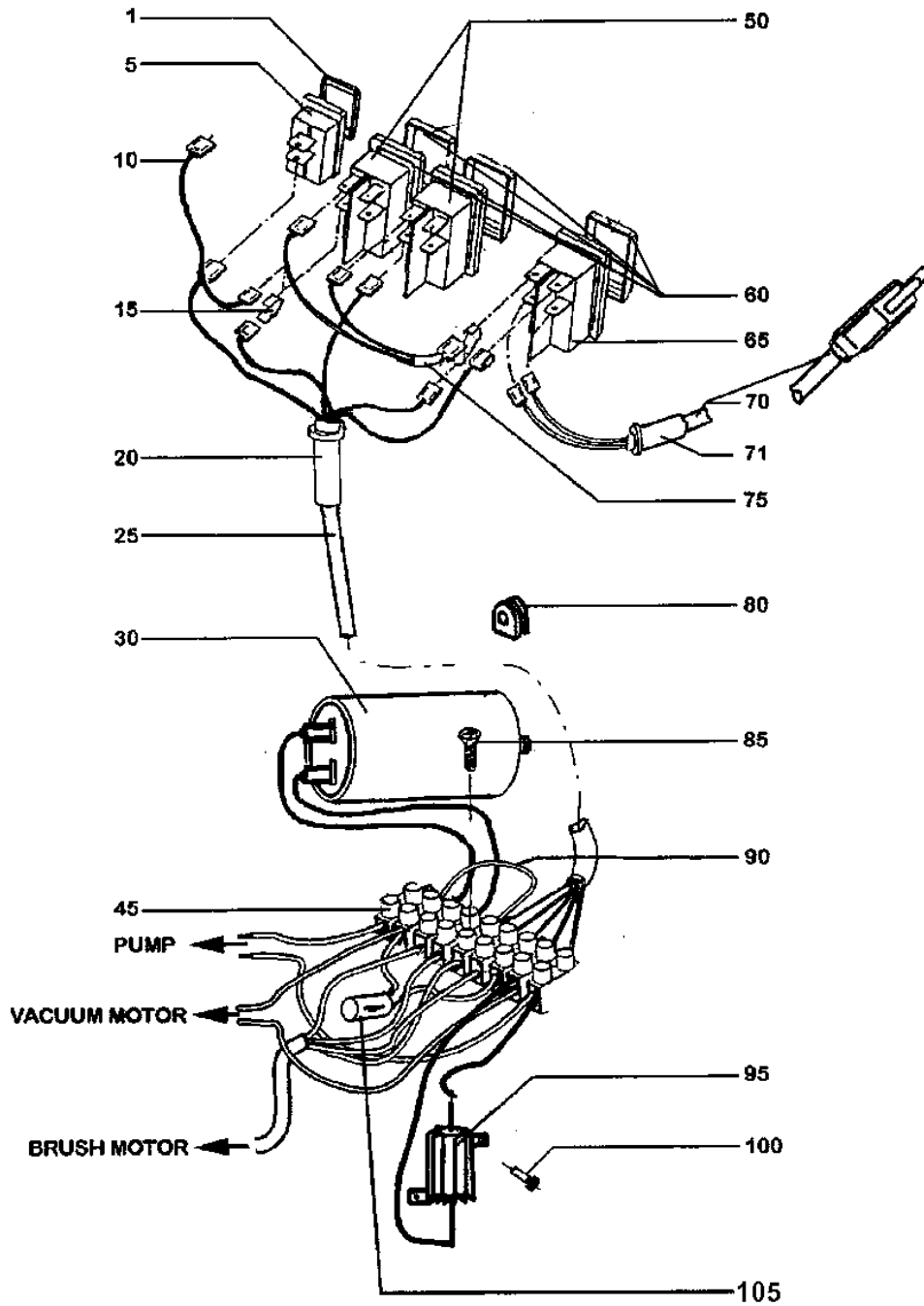


Resource notes:

Pos.	Vare-nr	Antal	Beskrivelse	Notes
00	L08812028	1	Vandslange F. Ba340	[1]
01	909 5893 000	8	Skruer	
05	L08603367	1	Overdel, Karosse F. Ba340	
10	L08603368	1	Underpart Karosse F. CA340	
15	L08603206	4	NUT HEX M8 MEDIUM SS ISO4032	
20	L08603219	2	Skruer, Underpart Ba/Ca340	
21	9099431000	1	CHASSIS KIT	

## Part Notes:

[1] - GUARANTEE DATE EXPIRED



Resource notes:

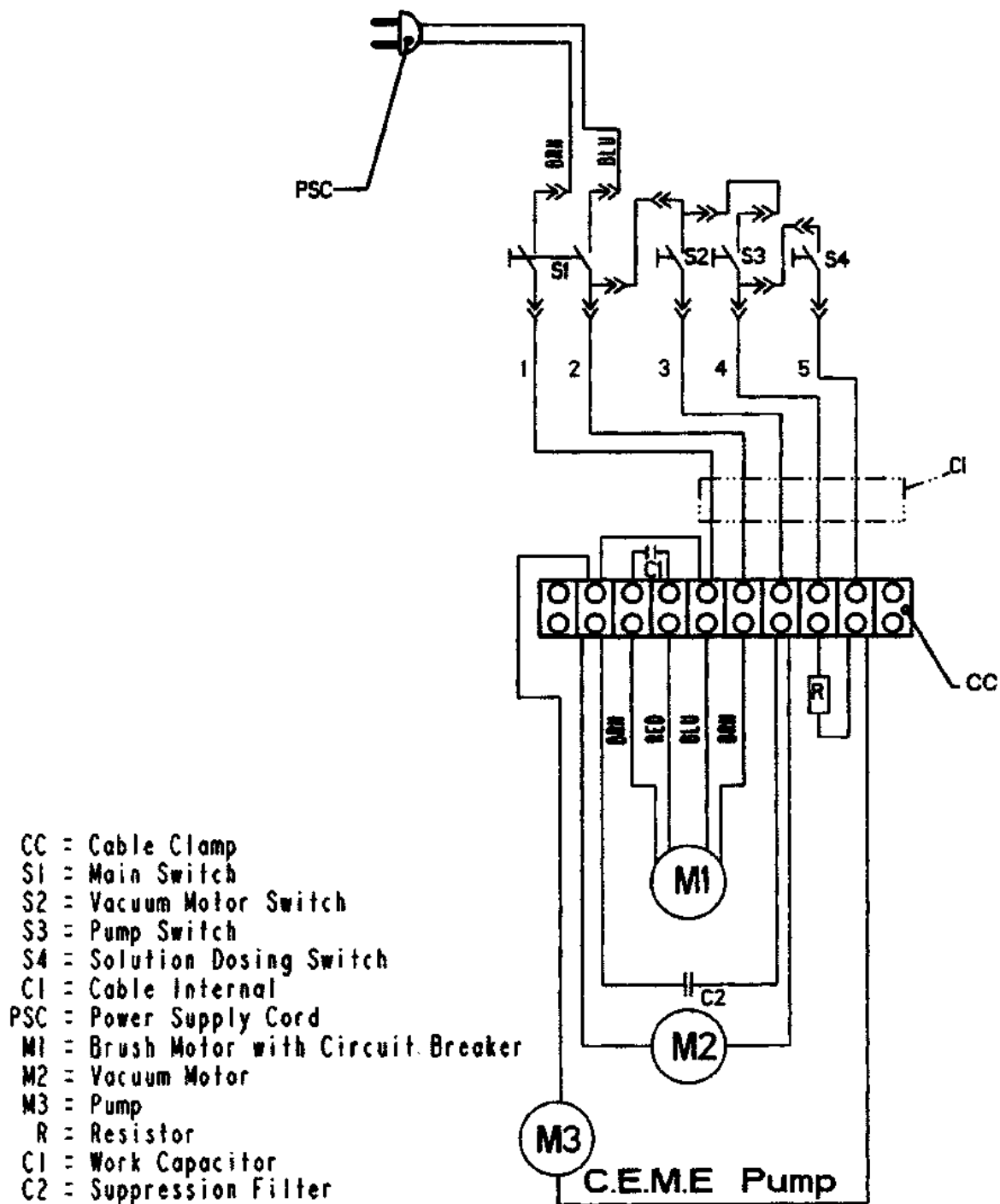
POS. 10 INCLUDES: POSITIONS 10-15-75 POS. 71 NO MORE USED IN THE MACHINE

Pos.	Vare-nr	Antal	Beskrivelse	Notes
00	909 5667 000	1	Kontakt Kpl.	
00	909 5668 000	1	Switch Komplet	
01	L08603154	1	Beskyttelseshætte Ca340 F/Vanddoseringsk	
05	L08603153	1	Vanddoseringskontakt F/Ca340	
10	9098694000	1	Lednings-Sæt	[1]
100	L08348200	1	SCREW 2.9X9.5 SELF PAN HD PHIL ISO7049	
105	L08603912	1	CAPACITOR 0.1UF	
20	L08603150	1	Socket	
25	L08603169	1	Internal Cable Cpl.	
30	L08603303	1	CAPACITOR 250V 40UF	[2]
30	L08603254	1	Capacitor 10Uf	[3]
45	L08603196	1	CLAMP 10 CHANNELS	
50	909 5667 000	2	Kontakt Kpl.	
60	L08603193	3	Ramme F.Kontakt F. Ca340	
65	909 5668 000	1	Switch Komplet	
70	909 6231 000	1	Kabel.Orange Eu Plugg	
70A	82179200		PLUG UK	[4]
70	L08227800	1	CABLE POWER SUPPLY WITHOUT PLUG	[5]
80	L08603129	2	Rubber Socket Ca340	
85	L08093800	1	SCREW 2.9X16 SELF PAN HD PHIL ISO7049	
90	L08603756	1	CABLE BRIDGE UL AWG 18	
95	9099066000	1	RESISTOR KIT	

## Part Notes:

- [1] - INST.INSTR.CODE 9098695000
- [2] - FOR 110V VERSIONS  
GUARANTEE DATE EXPIRED
- [3] - FOR 220V VERSIONS
- [4] - ADPTER FOR MAIN CORD CABLE UK
- [5] - STOCK COVERS GUARANTEE

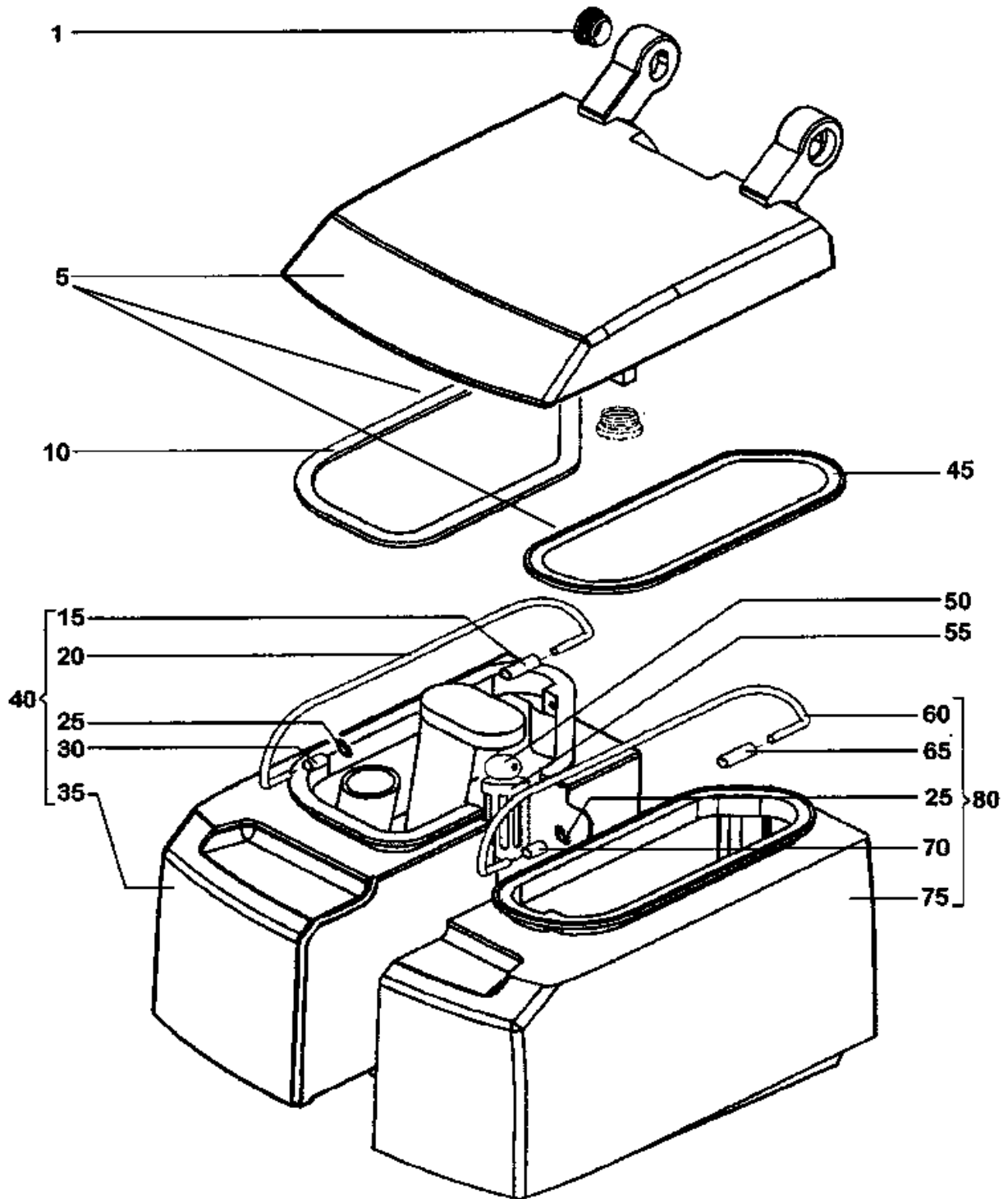




Resource notes:

---

Pos.	Vare-nr	Antal	Beskrivelse	Notes
------	---------	-------	-------------	-------



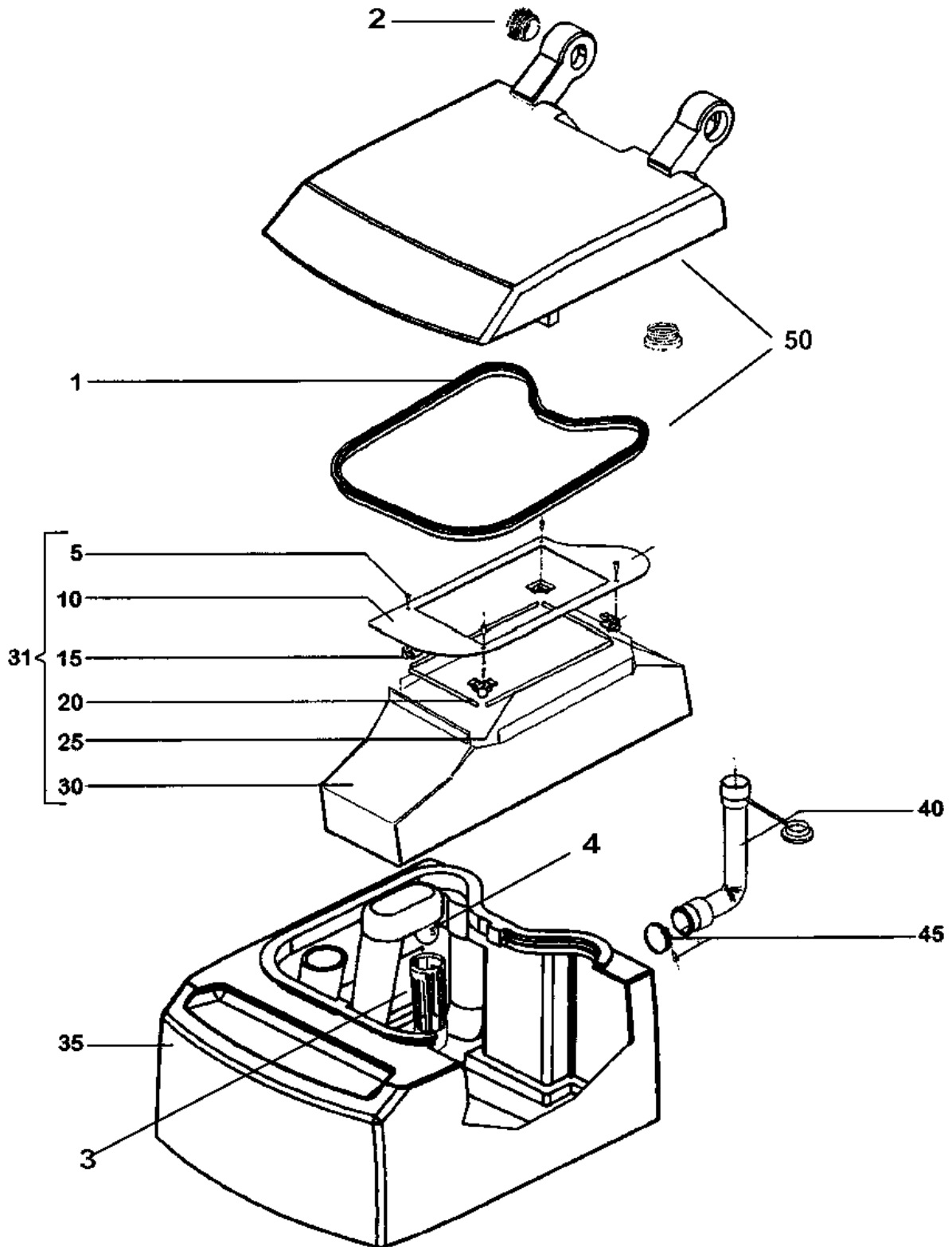
Resource notes:

position 0 not shown L08812036 valid for machine product numbers L08919552 (L5 2256) POSITIONS 1-25- 30  
 VALID FOR MACHINES BEFORE SERIAL NUMBER 3810122800029 POSITION 0: 9097737000 valid for machine  
 CA 340 ET pruned in 31.03.2009

Pos.	Vare-nr	Antal	Beskrivelse	Notes
00	9097737000	1	DECAL NILFISK CA 340ET	[1]
00	I08812036	1	Vægtklods Ca340Et	[2]
00	9097736000	1	DECAL NILFISK CA 340	
00	L08603365	1	Twotank-Version Cpl. CA 340	
01	1466138000	1	CAP BLACK PPL DE 42X11.5 PKD	
05	L08603084	1	Lid	
10	L08603230	1	Pakning F/Ca340 F/Snavsevandstank	
15	L08603239	1	SPACER 7X10X32	
20	9099506000	1	GRIP RECOVERY TANK KIT	
25	L08603255	4	Clips F/Håndtag	
30	L08603240	1	Bøsning F. Ca340	
35	L08603119	1	Recovery Tank	
40	L08603235	1	Tank Ca340	
45	L08603229	1	Pakning F/Ca340 F/Rentvandstank	
50	L08092600	1	Ventilbolt	
55	9100001371	1	CAGE FLOAT PKD	
60	9099505000	1	GRIP SOLUTION TANK KIT	
65	L08603117	1	Sleeve, Long 19Mm	
70	L08603240	1	Bøsning F. Ca340	
75	L08603118	1	Tank, Friskvand, BA/Ca340	
80	L08603234	1	Tank, Komplet BA/Ca340	

## Part Notes:

- [1] - GUARANTEE DATE EXPIRED  
 [2] - STOCK COVERS GUARANTEE



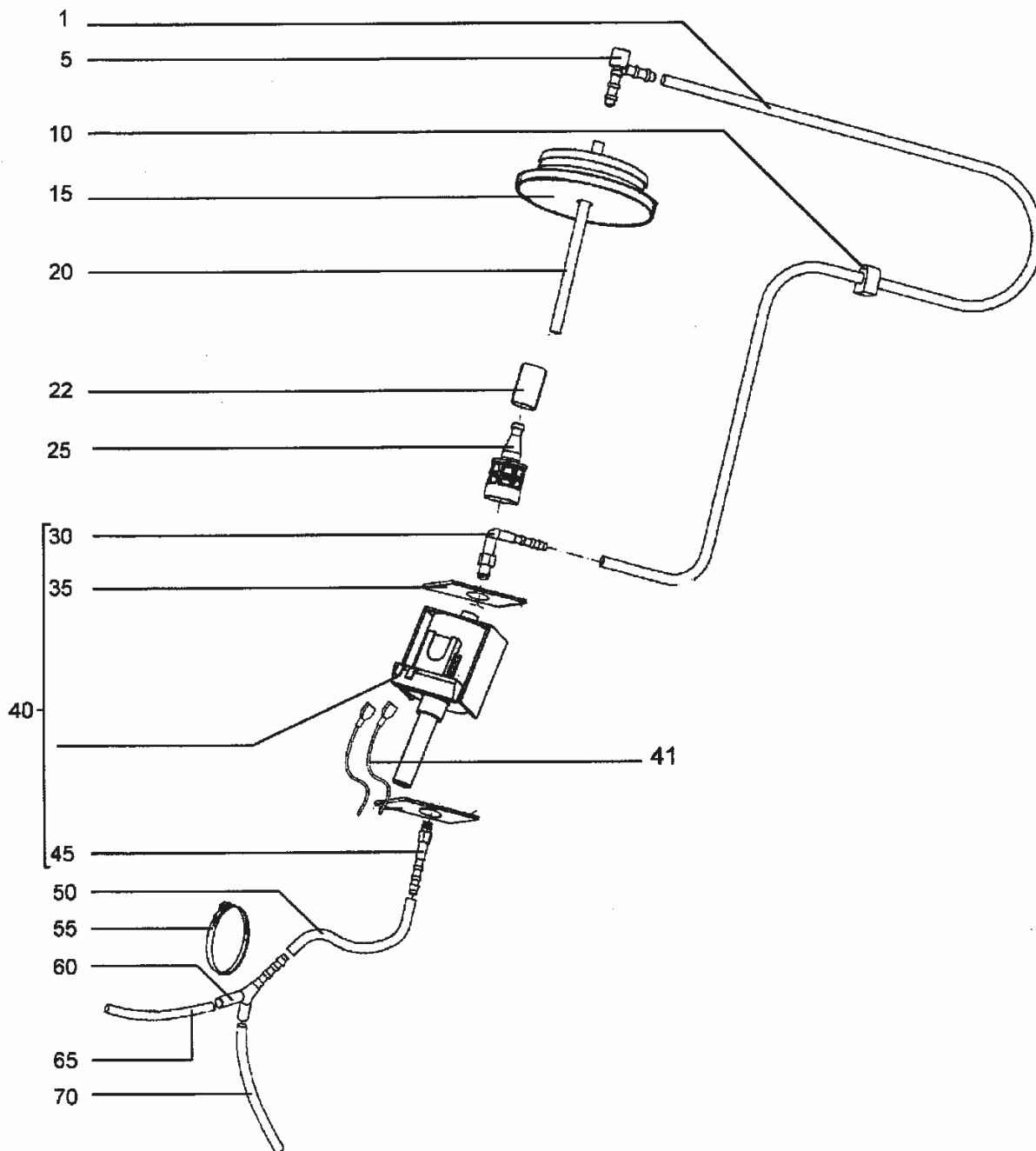
Resource notes:

POSITION 40 L08812013 BELONG ONLY TO THE MACHINE L08919552 PRUNED ON THE 12.04.2011 L08919552

Pos.	Vare-nr	Antal	Beskrivelse	Notes
00	L08603489	1	TANK W/MEMBRANE KIT	[1]
01	L08603228	1	Pakning F/Tanklåg Ca340 F/Membrantank	
02	1466138000	1	CAP BLACK PPL DE 42X11.5 PKD	
03	9100001371	1	CAGE FLOAT PKD	
04	L08092600	1	Ventilbolt	
05	L08603123	4	Skrue 3.5X10 THD FORMING SS	
10	L08603121	1	FRAME OPEN FOR MEMBRANE	
15	L08603122	4	BLOCK.MEMBRANE FRAME	
20	L08603236	2	ROD DRAWN D.4 L.100MM	
25	L08603237	2	ROD DRAWN D.4 L.190MM	
30	L08603120	1	Membran F/Ca340	[1]
30	L08812012	1	Membrane Ca340Et	
31	L08603364	1	Menbran Kpl. F/340	[1]
31	L08812087	1	Membrane With Holder Cpl. F.Ca340	[1]
35	L08603400	1	TANK WATER	[2]
40	L08812013	1	AFTAPNINGSSSLANGE CA 340 ET	[1]
40	L08603083	1	AFTAPNINGSSSLANGE CA 340	[2]
45	L08600269	1	Slangeklemme C38	
50	L08603745	1	COVER.TANK CPL W/MEMBRANE	

Part Notes:

- [1] - GUARANTEE DATE EXPIRED
- [2] - STOCK COVERS GUARANTEE



Resource notes:

Pos.	Vare-nr	Antal	Beskrivelse	Notes
00	L08812124	1	PUMP W/NIPPLE 100-125V KIT	
00	9100000933	1	Vand Pumpe 230V 40W KIT	[1]
01	L08603735	1	Slange,Seksjon	
01	L08812025	1	Vandslange 340/Et	
05	L08603189	1	Vinkelstykke F/Ca340 F/Vandslange	
10	L08603129	2	Rubber Socket Ca340	
15	9100000733	1	CAP PLASTIC D.42 WHITE WITH HOLE PKD	
20	L08812048	1	Hose Ca340Et	
20	L08603225	1	Slange, Rentvand Ca340	
25	L08603126	1	Filter, Rentvand Ca/Ba340	
30	L08603131	1	Vinkelstk. F/Ca340 F/Rentvandstank	[2]
35	L08603246	2	Insulation Pane	
40	9100000933	1	Vand Pumpe 230V 40W KIT	[3]
40	L08603453	1	PUMP W/RESISTOR 110V 50HZ	
41	L08603200	2	EL.WIRE FOR PUMP	
41	L08603352	2	WIRE WHITE FOR CAPACITOR	
45	L08603130	1	HOLDER RUBBER 1/8 D.6	
50	L08603752	1	Slange Ved Y-Stykke BA/Ca340	[4]
50	9100000960	1	HOSE SILICONE D.6X9 L.290MM SIP	[5]
60	L08603133	1	Y-Stykke F/Ca340 F/Vandslange	
65	L08603223	1	Vandslange F/Ca340	
70	L08603224	1	Vandslange F/Ca340	

## Part Notes:

- [1] - replace code L08603755 - INTS. INTR. 9100000934
- [2] - GUARANTEE DATE EXPIRED
- [3] - INST. INSTR. 9100000934
- [4] - UNTIL MACHINE S.N. 3810151000054
- [5] - STARTING MACHINE S.N. 3810151000055



