

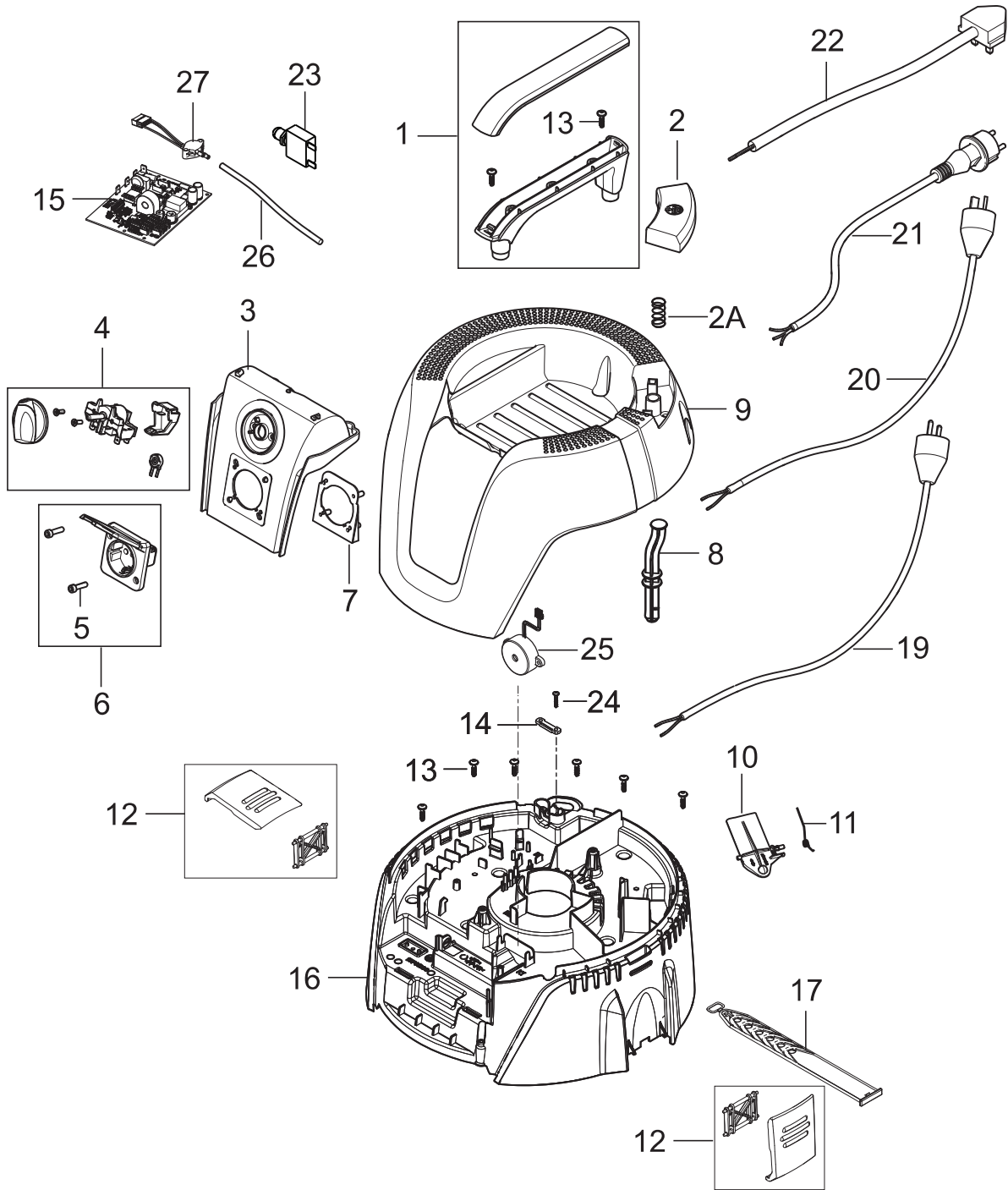
PARTS LIST



2022.11.21

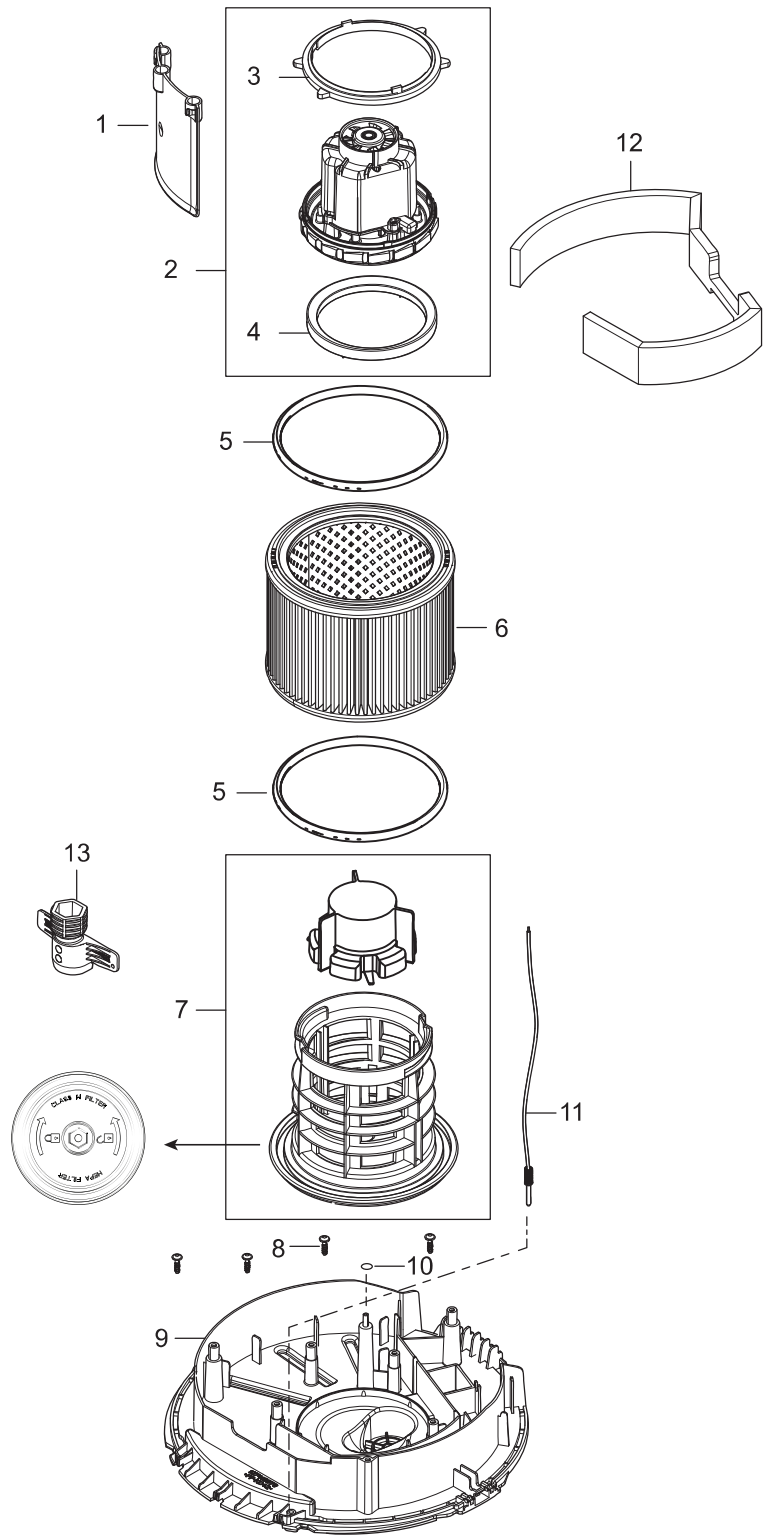
TABLE OF CONTENTS

| | |
|--|---|
| Top H..... | 1 |
| Filter and motor H..... | 3 |
| Container 25L..... | 5 |
| Accessories from serial no. .. 1035, ..1053..... | 7 |



AERO 26-2H

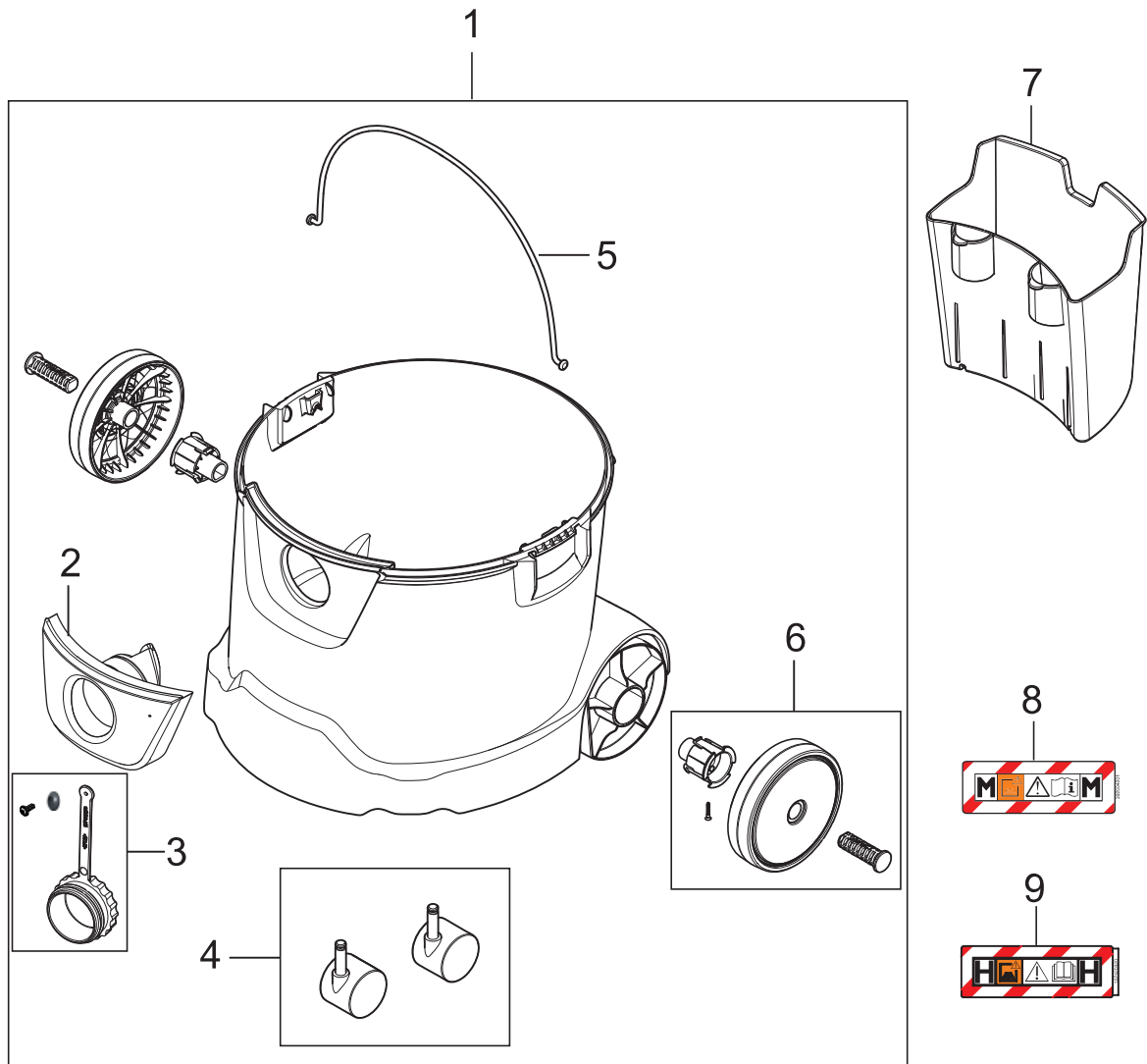
| Pos. | Vare-nr | Antal | Beskrivelse | Notes |
|------|-----------|-------|--|-------|
| NS | 107420467 | 1 | BOX AERO 26 (X10) | |
| 1 | 107409137 | 1 | HANDLE | |
| 2 | 107409138 | 1 | PC BUTTON | |
| 2A | 107411345 | 1 | SPRING FOR BUTTON | |
| 3 | 107409146 | 1 | INTERFACE SWITCH AND OUTLET ADV 1 | |
| 4 | 107409156 | 1 | Kontakt | |
| 5 | 302004032 | 2 | SCREW 3.5X18 | |
| 6 | 107400059 | 1 | SOCKET 10A/250V CH | |
| 6 | 302004034 | 1 | Stikdåse 16A/250V Eu | |
| 6 | 302004338 | 1 | SOCKET 15A/125V US/CSA | |
| 6 | 302001185 | 1 | SOCKET 10A/250V AU | |
| 7 | 302002052 | 1 | PLUG SOCKET PLATE | |
| 8 | 107409141 | 1 | PC ROD | |
| 9 | 107409145 | 1 | Dæksel f. AERO 26-2L | |
| 10 | 107409129 | 1 | PC FLAP - KIT | |
| 11 | 909100083 | 1 | Fjeder | |
| 12 | 107409130 | 2 | Låsebeslag | |
| 13 | 302004029 | 9 | Screw 5X18 | |
| 14 | 5697 | 1 | STRAP 3X8X33 | |
| 15 | 107420446 | 1 | PCBA AERO M/H 230V | |
| 15 | 107420447 | 1 | PCBA AERO M/H 120V | |
| 15 | 107420448 | 1 | PCBA AERO M/H 110V | |
| 16 | 107420437 | 1 | CLAMPING PLATE ALTO BLUE | |
| 17 | 107409131 | 1 | Strop, gummi | |
| 18 | 107409982 | 1 | HOSE/CABLE HOOK. AERO 26/31 | |
| 19 | 107420456 | 1 | POWER CORD H05VV-F 3X1.5 PVC ORANGE EU | |
| 20 | 107420451 | 1 | POWER CORD H05VV-F 3X1.5 PVC ORANGE CH | |
| 21 | 107420454 | 1 | POWER CORD SJTW-A AWG14 ORANGE US | |
| 22 | 107420450 | 1 | POWER CORD H07 BQ F ORANGE GB | |
| 23 | 56315255 | 1 | CIRCUIT BREAKER 5 AMP | |
| 24 | 302004032 | 2 | SCREW 3.5X18 | |
| 25 | 107416958 | 1 | BUZZER KIT1 | |
| 26 | 107420433 | 1 | HOSE AVMS. | |
| 27 | 107420434 | 1 | SENSOR 50KPA | |



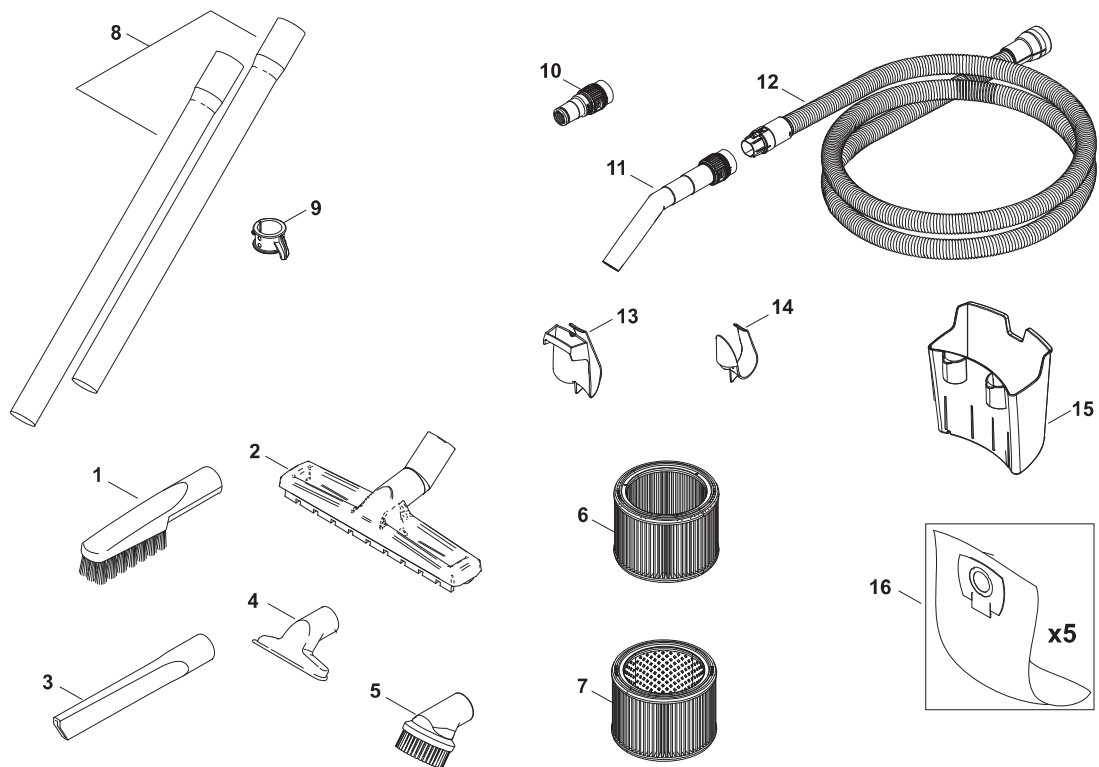
| Pos. | Vare-nr | Antal | Beskrivelse | Notes |
|------|-----------|-------|--|-------|
| 1 | 107409159 | 1 | DEFLECTOR SHIELD | |
| 2 | 107409160 | 1 | Motor 230V 1000W | [1] |
| 2 | 107410825 | 1 | Motor kit 1200W 230V/50-60HZ | [2] |
| 2 | 107420468 | 1 | MOTOR KIT 1000W 110/120V/50-60HZ (TCO) | |
| 3 | 107409163 | 1 | Pakning, motor, øvre | |
| 4 | 107409164 | 1 | Pakning, motor, nedre | |
| 5 | 107409165 | 2 | Pakning, filter | |
| 6 | 107420373 | 1 | FILTER PTFE Ø185X140 H-CLASS/HEPA | |
| 7 | 107420461 | 1 | FILTER CAGE H | |
| 8 | 302004029 | 5 | Screw 5X18 | |
| 9 | 107420436 | 1 | BASE PLATE WITH SEALING. | |
| 10 | 107420458 | 1 | O-RING D5X3 | |
| 11 | 107402835 | 1 | CONTACT SPRING WIRE AND FASTON | |
| 12 | 107420457 | 1 | ISOLATION FOAM | |
| 13 | 107420440 | 1 | T-HANDLE | |

Part Notes:

- [1] - AERO 21-0H PC
- [2] - AERO 26-2H PC



| Pos. | Vare-nr | Antal | Beskrivelse | Notes |
|------|--------------|-------|--------------------------------------|-------|
| 1 | 107420463 | 1 | CONTAINER ASM. 25L NILFISK M/H-CLASS | |
| 2 | 107409169 | 1 | INLET FITTING | |
| 3 | 107420435 | 1 | HOSE INLET PLUG | |
| 4 | 140 6422 500 | 1 | Hjul, front (2 stk.) | |
| 5 | 107409171 | 1 | HANDLE CONTAINER | |
| 6 | 107420466 | 2 | REAR WHEEL D135 ALTO BLUE | |
| 7 | 107420459 | 1 | TOOLBOX | |
| 8 | 107401291 | 1 | SP-LABEL DUSTCLAS M 130X44 PVC | |
| 9 | 107420444 | 1 | LABEL DUST CLASS H | |



| Pos. | Vare-nr | Antal | Beskrivelse | Notes |
|------|-----------|-------|--|-------|
| | | | From serial no. (EU) 3520220501035 and (AU/NZ) 3520220501053 | |
| 1 | 6086 | 1 | Børstemundstykke plast 230 mm Ø36 | |
| 2 | 107402706 | 1 | Universalmundstykke plast Ø36 | |
| 3 | 29541 | 1 | Fugemundstykke 200 mm Ø36 | |
| 4 | 14295 | 1 | Polstermundstykke plast 115 mm Ø36 | |
| 5 | 302002509 | 1 | Rund børste Ø36 | |
| 6 | 302000490 | 1 | Filterelement PET-fleece M-klasse | |
| 7 | 107420373 | 1 | FILTER PTFE Ø185X140 H-CLASS/HEPA | |
| 8 | 302000529 | 1 | Forlængerrør krom 500 mm 2 stk. Ø36 | |
| 9 | 107409979 | 1 | Parkeringsclips Ø36 | |
| 10 | 302000535 | 1 | Adapter til el-værktøj AntiStatic | |
| 11 | 107420439 | 1 | CURVED HAND TUBE D36MM AS | |
| 12 | 107413543 | 1 | Sugeslange AntiStatic rød 4 m Ø32 | |
| 13 | 107409981 | 1 | HOSE/CABLE HOOK. AERO 21 | |
| 14 | 107409982 | 1 | HOSE/CABLE HOOK. AERO 26/31 | |
| 15 | 107420459 | 1 | TOOLBOX | |
| 16 | 107419590 | 1 | FLEECE FILTER BAG 5 PCS AERO | |

