

PARTS LIST

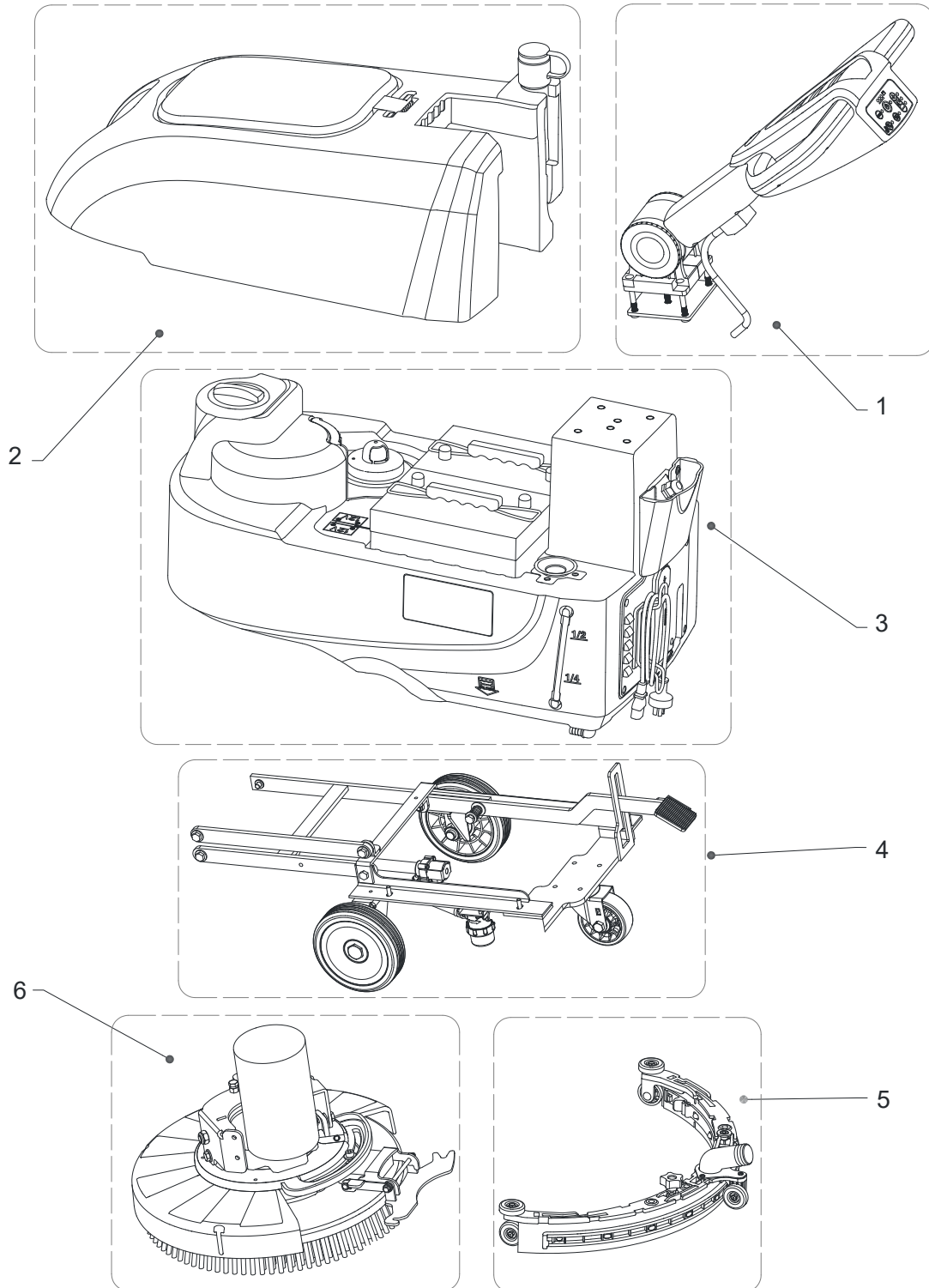


2023.06.08

NILFISK

TABLE OF CONTENTS

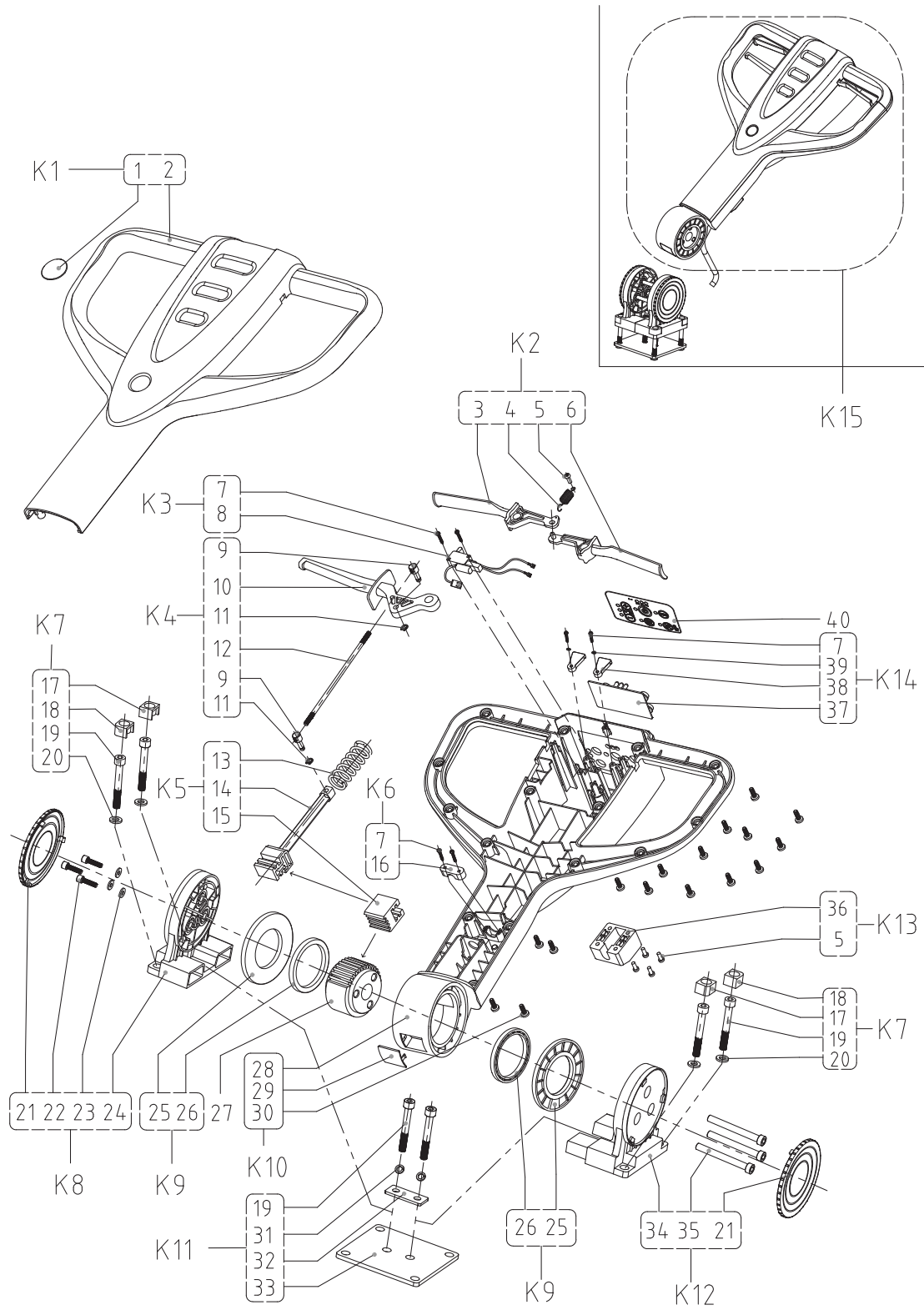
| | |
|---------------------------------|----|
| General view | 1 |
| Handle with mounting base | 3 |
| Recovery tank | 5 |
| Solution tank | 7 |
| Chassis | 10 |
| Squeegee | 12 |
| Brush | 14 |
| Wear and Tear Parts | 17 |
| Wiring diagram | 19 |



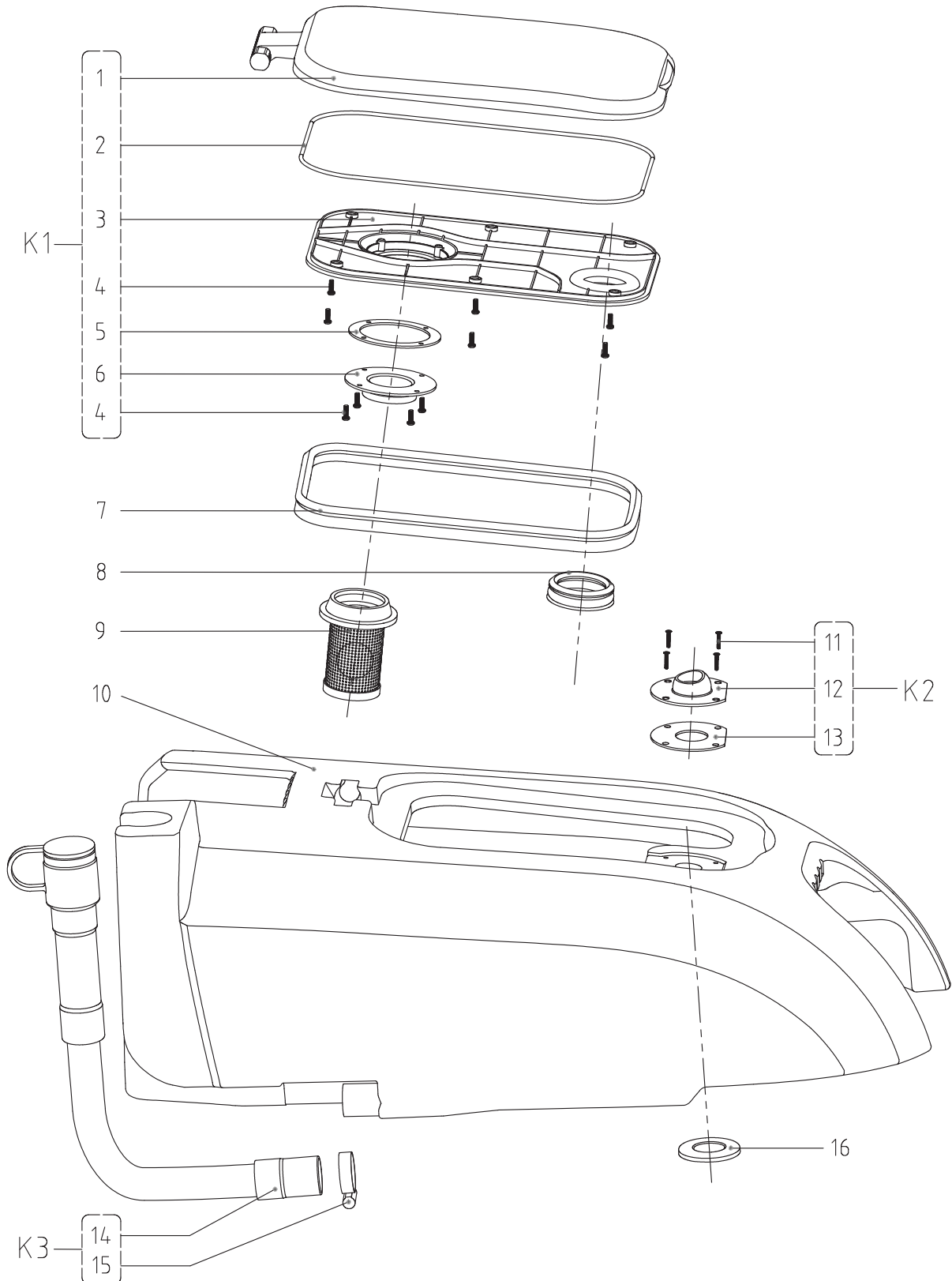
| Pos. | Vare-nr | Antal | Beskrivelse | Notes |
|------|---------|-------|------------------------------------|-------|
| 1 | | 1 | HANDLE WITH MOUNTING BASE ASSEMBLY | [1] |
| 2 | | 1 | RECOVERY TANK ASSEMBLY | [2] |
| 3 | | 1 | SOLUTION TANK ASSEMBLY | [3] |
| 4 | | 1 | CHASSIS ASSEMBLY | [4] |
| 5 | | 1 | SQUEEGEE ASSEMBLY | [5] |
| 6 | | 1 | BRUSH ASSEMBLY | [6] |

Part Notes:

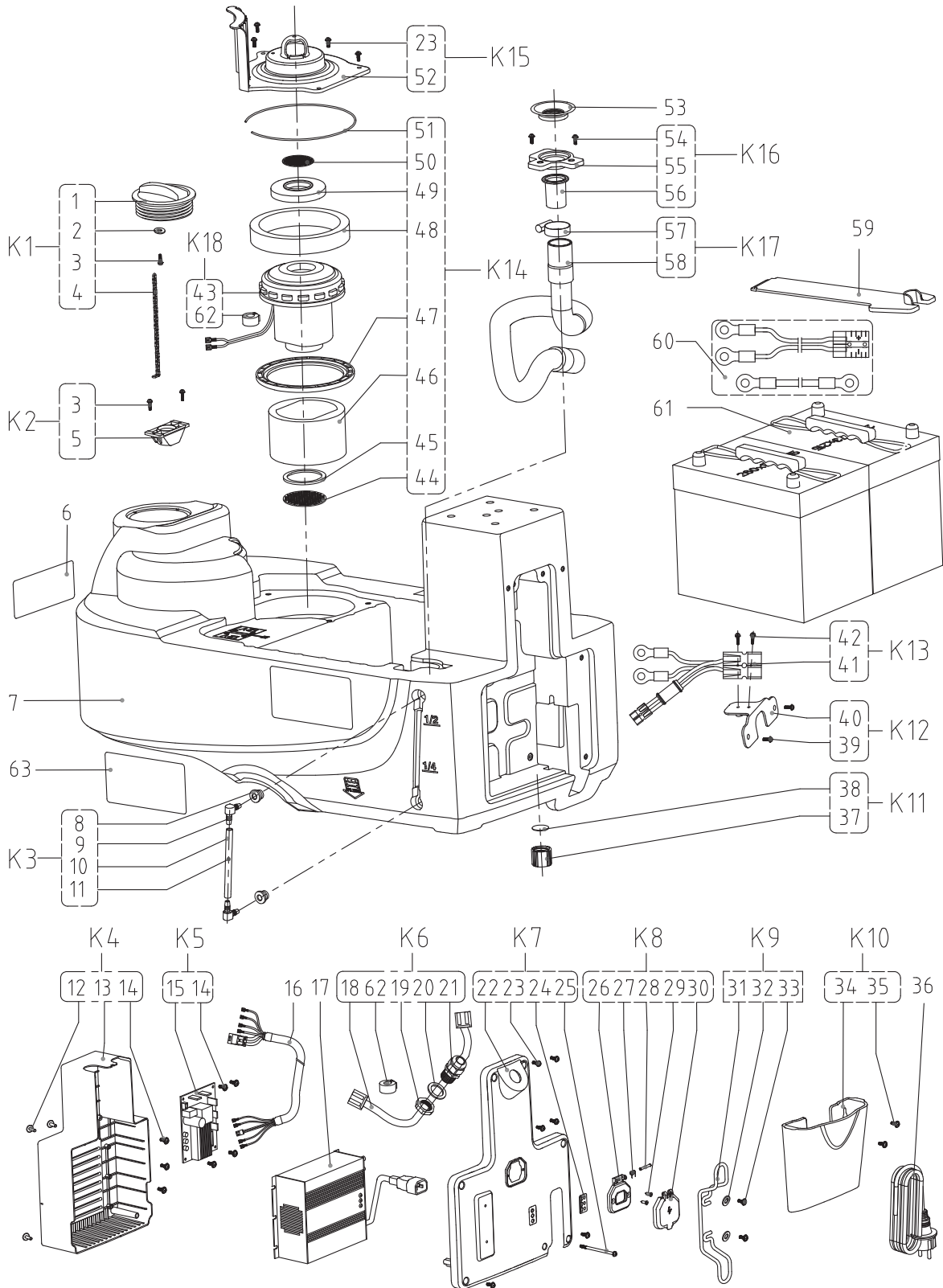
- [1] - Handle with mounting base
- [2] - Recovery tank
- [3] - Solution tank
- [4] - Chassis
- [5] - Squeegee
- [6] - Brush



| Pos. | Vare-nr | Antal | Beskrivelse | Notes |
|------|----------|-------|--|-------|
| 1 | | 1 | STICKER DROP GLUE | |
| 2 | | 1 | FRONT COVER HANDLE | |
| 3 | | 1 | RIGHT LEVER BRUSH SWITCH | |
| 4 | | 1 | SPRING | |
| 5 | VF13544 | 5 | SCREW ST4X10 | |
| 6 | | 1 | LEFT LEVER BRUSH SWITCH | |
| 7 | | 6 | SCREW ST3X16MM | |
| 8 | | 1 | MICRO SWITCH | |
| 9 | | 2 | FIXING END OF PULLING ROD | |
| 10 | VS15133 | 1 | ADJUST LEVER HANDLE | |
| 11 | | 2 | LOCKWASHER | |
| 12 | | 1 | PULLING ROD | |
| 13 | | 1 | SPRING COMPRESSION | |
| 14 | VS15135 | 1 | CONNECTION ROD | |
| 15 | VS15193 | 1 | RACK | |
| 16 | | 1 | CLAMP | |
| 17 | | 2 | RUBBER SLEEVE SCREW ROD EDGE | |
| 18 | | 2 | RUBBER SLEEVE SCREW ROD | |
| 19 | | 6 | SCREW ROD M8 | |
| 20 | | 4 | WASHER OD15.7XID8.5XT1.5MM | |
| 21 | VS15142 | 2 | DECORATION COVER HANDLE | |
| 22 | | 3 | SCREW M5X20MM | |
| 23 | | 3 | WASHER ID5XOD12XT1MM | |
| 24 | VS15144 | 1 | RIGHT FIXING BASE HANDLE | |
| 25 | | 2 | ANTI ABRATION CIRCLE | |
| 26 | | 2 | INNER FIXING CIRCLE OF GEAR | |
| 27 | VS15192 | 1 | GEAR | |
| 28 | VS15136 | 1 | REAR COVER HANDLE | |
| 29 | VS15141 | 1 | SEALING COVER HANDLE | |
| 30 | | 16 | SCREW PB5X14MM | |
| 31 | | 2 | WASHER Ø8MM | |
| 32 | | 1 | CONNECTION PLATE OF FIXING BASE | |
| 33 | | 1 | FIXING PLATE OF FIXING BASE | |
| 34 | VS15143 | 1 | LEFT FIXING BASE HANDLE | |
| 35 | | 3 | FIXING SCREW ROD OF GEAR | |
| 36 | | 1 | CABLE FIXING BRACKET | |
| 37 | VS15025 | 1 | DASH BOARD 24V AGM | |
| 38 | | 2 | PCB FIXING PLATE | |
| 39 | | 2 | WASHER | |
| 40 | VS15216 | 1 | DECAL CONTROL PANEL BATTERY VERSION | |
| K1 | VS15383 | 1 | FRONT COVER HANDLE KIT | |
| K2 | 55942448 | 1 | LEVER BRUSH SWITCH KIT | |
| K3 | VV81063 | 1 | MICRO SWITCH - ROLLER BRUSH AND PUMP KIT | |
| K4 | VS15385 | 1 | ADJUST LEVER HANDLE KIT | |
| K5 | VS15386 | 1 | CONNECTION ROD KIT | |
| K6 | VA21517A | 1 | CLAMP BLOCK INCLSCREW | |
| K7 | VS15387 | 2 | RUBBER SLEEVE SCREW ROD KIT | |
| K8 | VS15388 | 1 | RIGHT FIXING BASE KIT | |
| K9 | VS15389 | 2 | INNER FIXING CIRCLE OF GEAR KIT | |
| K10 | VS15390 | 1 | REAR COVER HANDLE KIT | |
| K11 | VS15391 | 1 | FIXING PLATE OF FIXING BASE KIT | |
| K12 | VS15392 | 1 | LEFT FIXING BASE KIT | |
| K13 | VS15393 | 1 | CABLE FIXING BRACKET KIT | |
| K14 | VS15394 | 1 | HANDLE PCB KIT | |
| K15 | 55942503 | 1 | HANDLE ASSEMBLY | |

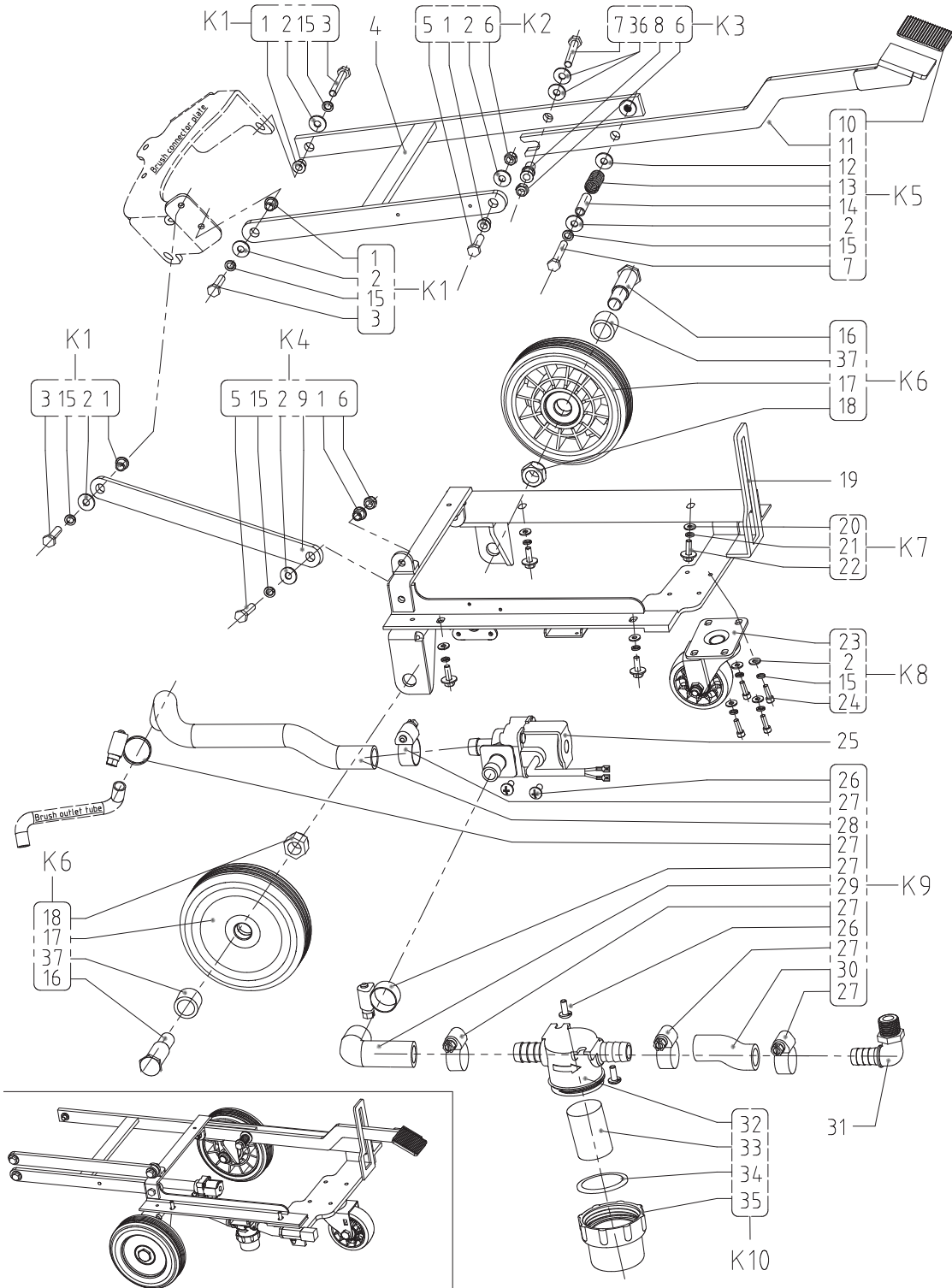


| Pos. | Vare-nr | Antal | Beskrivelse | Notes |
|------|----------|-------|--------------------------------------|-------|
| 1 | | 1 | RECOVERY TANK LID | |
| 2 | | 1 | INNER GASKET OF RECOVERY TANK LID | |
| 3 | | 1 | RECOVERY TANK LOWER LID | |
| 4 | | 10 | SCREW ST4X12MM | |
| 5 | | 1 | RUBBER GASKET OF ADAPTOR | |
| 6 | | 1 | FLOAT CUP ADAPTOR | |
| 7 | 55942443 | 1 | GASKET OF RECOVERY TANK LID | |
| 8 | VS15226 | 1 | SUCTION PORT ROUND GASKET | |
| 9 | VS15323 | 1 | VACUUM GRID WITH AUTO SHUT-OFF FLOAT | |
| 10 | 55942472 | 1 | RECOVERY TANK 25L | |
| 11 | | 4 | SCREW M4X12MM | |
| 12 | | 1 | SUCTION PORT | |
| 13 | | 1 | SUCTION PORT GASKET | |
| 14 | | 1 | DRAIN HOSE | |
| 15 | VS15271 | 1 | CLAMP 21-38MM SUS304 | |
| 16 | VS15320 | 1 | HIGH ELASTIC GASKET | |
| K1 | 55942446 | 1 | RECOVERY TANK LID ASSEMBLY | |
| K2 | VS15399 | 1 | SUCTION PORT KIT | |
| K3 | VS15400 | 1 | DRAIN HOSE KIT | |

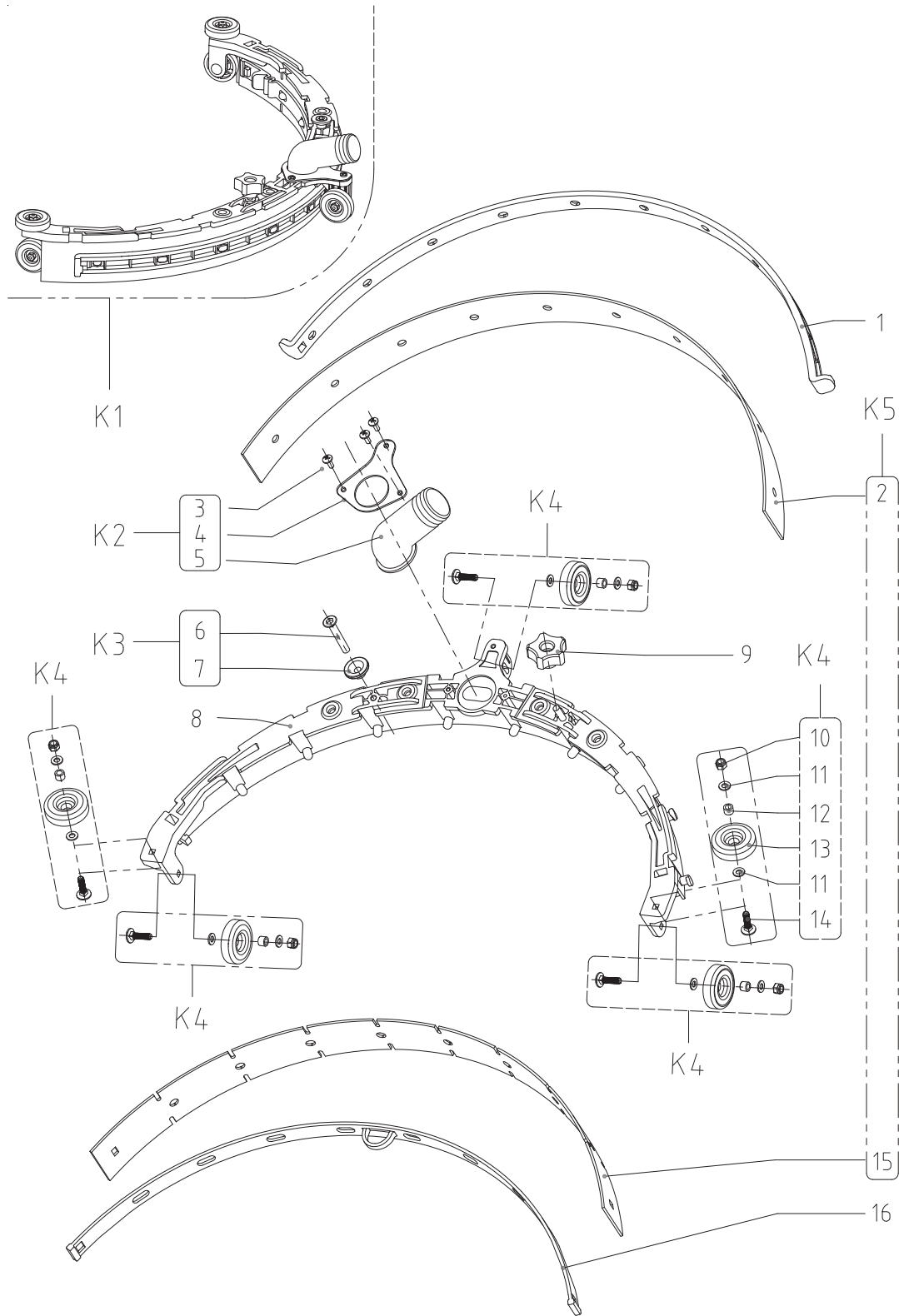


| Pos. | Vare-nr | Antal | Beskrivelse | Notes |
|------|----------|-------|---------------------------------|-------|
| 1 | 55942469 | 1 | SOLUTION COVER | |
| 2 | | 1 | WASHER4X12X1MM | |
| 3 | | 3 | SCREW TA3.5X12MM | |
| 4 | | 1 | ZIPPER | |
| 5 | | 1 | INLET PIPE FRAME | |
| 6a | 55942482 | 1 | NILFISK LOGO LABEL | |
| 6b | 55942500 | 1 | ADVANCE LOGO LABEL | |
| 7 | 55942473 | 1 | SOLUTION TANK 25L | |
| 8 | | 2 | JOINTS GASKET | |
| 9 | | 2 | ELBOW, 90° | |
| 10 | | 1 | HOSE FRESH WATER LEVEL | |
| 11 | | 1 | FLOATING BALL OF WATER LEVEL | |
| 12 | | 3 | SCREW PB4.0X12MM | |
| 13 | | 1 | MOUNTING BASE OF CHARGER | |
| 14 | | 9 | SCREW PB4.0X10MM | |
| 15 | VS15026 | 1 | CONTROLLER MAIN MACHINE | |
| 16 | VS15012 | 1 | DC MAIN WIRE HARNESS | |
| 17 | VS15018 | 1 | CHARGER 10A | |
| 18 | | 1 | COMMUNICATION CABLE | |
| 19 | | 1 | CABLE STRAIN RELIEF NUT | |
| 20 | | 1 | GASKET | |
| 21 | | 1 | CABLE STRAIN RELIEF | |
| 22 | | 1 | CHARGE REAR COVER | |
| 23 | | 10 | SCREW PWM4.0X12mm | |
| 24 | VS15459 | 1 | CHARGING DISPLAY LABEL | |
| 25 | | 1 | SCREW M4X70MM | |
| 26 | | 1 | CHARGER SOCKET FIX | |
| 27 | | 1 | SPRING | |
| 28 | | 1 | PIN | |
| 29 | | 2 | SCREW ST4.0X16MM | |
| 30 | | 1 | CHARGER SOCKET COVER | |
| 31 | | 1 | CABLE SUPPORT | |
| 32 | | 2 | WASHER ID4.0XOD12X1MM | |
| 33 | | 2 | SCREW ST4.0X16MM | |
| 34 | | 1 | BACK ACCESSORY BOX | |
| 35 | | 2 | SCREW WITH WASHER | |
| 36a | VF89725 | 1 | POWER LINE EU | |
| 36b | VF89726 | 1 | CHARGER POWER CABLE UK PLUG | |
| 36c | VF89724 | 1 | CHARGER POWER CABLE US PLUG | |
| 37 | | 1 | SOLUTION OUTLET COVER | |
| 38 | | 1 | GASKET | |
| 39 | | 2 | SCREW M4.0X12MM | |
| 40 | | 1 | BRACKET CHARGER PLUG | |
| 41 | | 1 | HARNESS 24V INPUT | |
| 42 | | 2 | SCREW ST3X16MM | |
| 43 | VS15003 | 1 | VACUUM MOTOR 24V 350W | |
| 44 | | 1 | INTLET AIR FILTER GRIM | |
| 45 | | 1 | INTLET AIR GASKET | |
| 46 | | 1 | BOTTOM ACOUSTIC INSULATION PIPE | |
| 47 | | 1 | MIDDLE GASKET | |
| 48 | | 1 | UP ACOUSTIC INSULATION PIPE | |
| 49 | | 1 | TOP GASKET MOTOR | |
| 50 | | 1 | UP INLET AIR FILTER FRIM | |
| 51 | | 1 | EVA GASKET | |
| 52 | | 1 | VACUUM MOTOR COVER | |
| 53 | VS15240 | 1 | DRAIN HOSE HORN GASKET | |
| 54 | | 2 | SCREW M4.0X12MM | |
| 55 | | 1 | BRACKET SUCTION HOSE | |
| 56 | | 1 | CONNECTOR SOCKET SUCTION HOSE | |

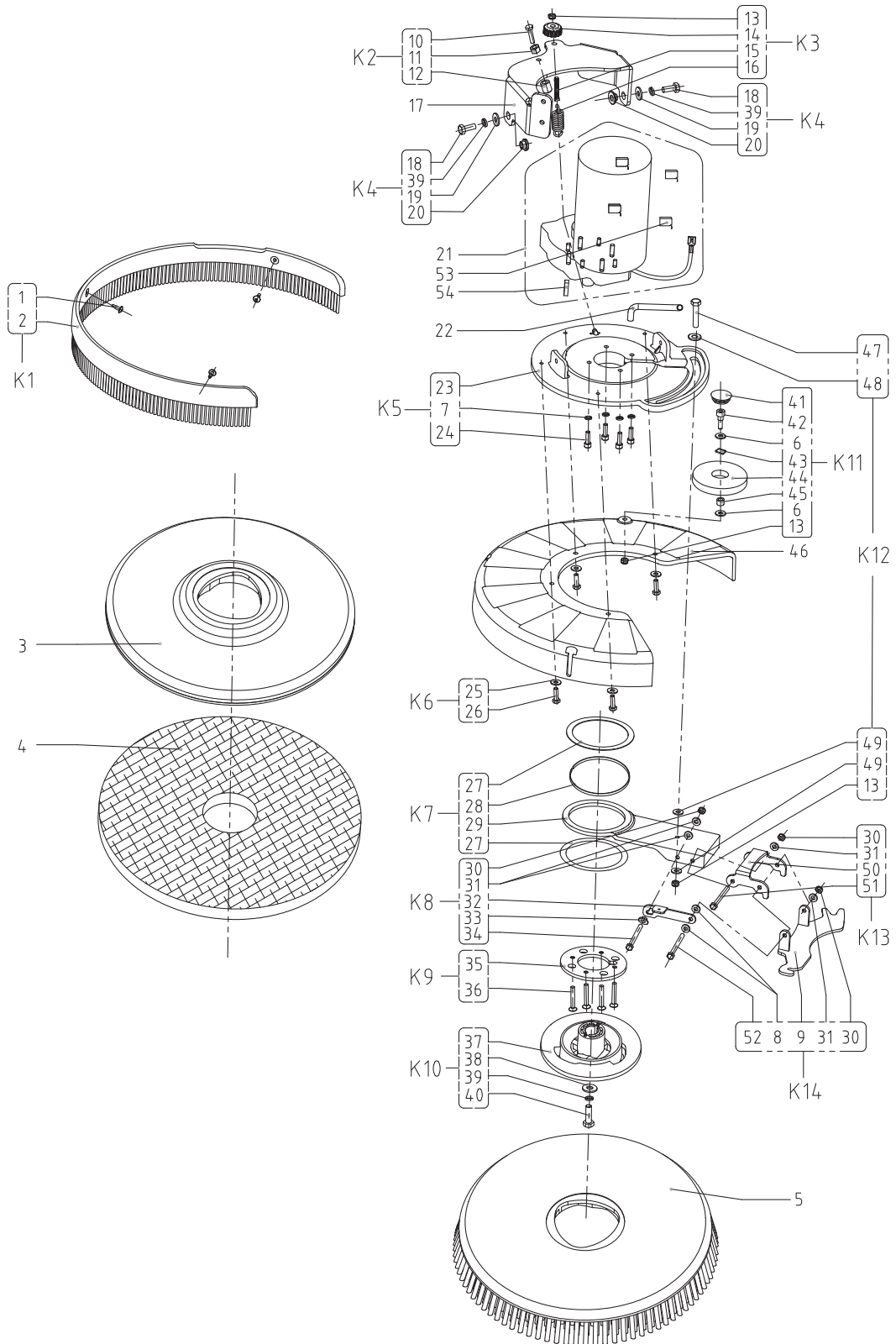
| Pos. | Vare-nr | Antal | Beskrivelse | Notes |
|------|----------|-------|------------------------------|-------|
| 57 | VS15271 | 1 | CLAMP 21-38MM SUS304 | |
| 58 | | 1 | SUCTION HOSE | |
| 59 | VS15248 | 1 | CABLE COVER PLATE | |
| 60 | VS15009 | 1 | BATTERY CONNECTIONS | |
| 61 | | 2 | BATTERIES | |
| 62 | | 2 | EMIFIL | |
| 63a | 55942483 | 1 | DECAL NILFISK SC370 43B EU | |
| 63b | 55942501 | 1 | DECAL ADVANCE SC370 17B US | |
| K1 | 55942447 | 1 | SOLUTION COVER KIT | |
| K2 | VS15402 | 1 | INLET PIPE FRAME KIT | |
| K3 | 55942433 | 1 | HOSE FRESH WATER LEVEL KIT | |
| K4 | VS15404 | 1 | MOUNTING BASE OF CHARGER KIT | |
| K5 | VS15405 | 1 | CONTROLLER MAIN MACHINE KIT | |
| K6 | VS15406 | 1 | MAIN CONNECTION CABLE KIT | |
| K7 | VS15407 | 1 | CHARGE REAR COVER KIT | |
| K8 | VS10126 | 1 | CHARGER SOKET KIT | |
| K9 | VS15408 | 1 | CABLE SUPPORT KIT | |
| K10* | VS15409 | 1 | BACK ACCESSORY BOX KIT | |
| K11 | VF89110A | 1 | KIT DRAIN WATER | |
| K12 | VS15410 | 1 | BRACKET CHARGER PLUG KIT | |
| K13 | VS15411 | 1 | HARNESS 24V INPUT KIT | |
| K14 | VS15412 | 1 | GASKET VACUUM MOTOR KIT | |
| K15 | VS15413 | 1 | VACUUM MOTOR COVER KIT | |
| K16 | VS15414 | 1 | BRACKET SUCTION HOSE KIT | |
| K17 | VS15415 | 1 | SUCTION HOSE KIT | |
| K18 | VS15381 | 1 | VACUUM MOTOR 24V KIT | |



| Pos. | Vare-nr | Antal | Beskrivelse | Notes |
|------|----------|-------|---------------------------------------|-------|
| 1 | | 5 | BUSHING | |
| 2 | | 10 | WASHER | |
| 3 | | 3 | SCREW M8X25MM | |
| 4 | VS15101 | 1 | BRUSH LIFTING SUPPORT | |
| 5 | | 2 | SCREW M8X30MM | |
| 6 | | 3 | NUT M8 | |
| 7 | | 2 | SCREW M8X50MM | |
| 8 | | 1 | STEPS BUSHING | |
| 9 | VS15102 | 1 | FRONT PEDAL BRUSH LIFTING | |
| 10 | VS10613 | 1 | PEDAL LEVER GASKET | |
| 11 | VS15103 | 1 | BACK PEDAL BRUSH AND SQUEEGEE LIFTING | |
| 12 | | 1 | WASHER Ø12X Ø24X2MM | |
| 13 | | 1 | RESET SPRING | |
| 14 | | 1 | BUSHING | |
| 15 | | 9 | WASHER DIAMETER 8MM | |
| 16 | | 2 | WHEEL SHAFT | |
| 17 | VS15430 | 2 | WHEEL 6 INCH | |
| 18 | | 2 | NUT M16 | |
| 19 | VS15100 | 1 | CHASSIS | |
| 20 | | 4 | SPRING WASHER | |
| 21 | | 4 | WASHER DIAMETER 6MM | |
| 22 | | 4 | SCREW M6X20MM | |
| 23 | VS15327 | 1 | 3.5 INCH CASTER | |
| 24 | | 4 | SCREW M8x20MM | |
| 25 | VS15021 | 1 | 24V DC SOLENOID VALVE KIT | |
| 26 | | 4 | SCREW M4X10MM | |
| 27 | VV10114 | 6 | CLAMP | |
| 28 | | 1 | HOSE Ø 20MM L400mm | |
| 29 | | 1 | HOSE WITH SPRING L130mm | |
| 30 | | 1 | OULET HOSE Ø20MM | |
| 31 | VF81403P | 1 | UNION ELBOW | |
| 32 | | 1 | FILTER BASE | |
| 33 | VF90608 | 1 | FILTER NET | |
| 34 | VF90607 | 1 | O-RING | |
| 35 | VF90603 | 1 | FILTER COVER | |
| 36 | | 2 | PA WASHER | |
| 37 | | 2 | BUSHING1 | |
| K1 | VS15422 | 3 | SCREW KIT 1 | |
| K2 | VS15423 | 1 | SCREW KIT 2 | |
| K3 | VS15424 | 1 | FORNT PEDAL BRUSH LIFTING SCREW KIT | |
| K4 | VS15425 | 1 | SCREW KIT 3 | |
| K5 | VS15426 | 1 | BACK PEDAL BRUSH LIFTING KIT | |
| K6 | VS15427 | 2 | WHEEL 6 INCH KIT | |
| K7 | VS15428 | 1 | SCREW KIT 4 | |
| K8 | VS15429 | 1 | 3.5 INCH CASTER KIT | |
| K9 | VS15433 | 1 | SOLUTION HOSE KIT | |
| K10 | VF90621 | 1 | FILTER | |



| Pos. | Vare-nr | Antal | Beskrivelse | Notes |
|------|----------|-------|----------------------------|-------|
| 1 | 55942474 | 1 | STRAP REAR | |
| 2a | | 1 | BLADE SQUEEGEE REAR NR | |
| 2b* | | 1 | BLADE SQUEEGEE REAR PU | |
| 3 | | 3 | SCREW TM4X12MM | |
| 4 | | 1 | RETAINER | |
| 5 | VS15160 | 1 | BEND CONNECTOR | |
| 6 | | 1 | SCREW 6X25MM | |
| 7 | | 1 | STUD | |
| 8 | 55942484 | 1 | SQUEEGEE TOOL | |
| 9 | VS15159 | 1 | SQUEEGEE KNOB | |
| 10 | | 5 | NUT M5 | |
| 11 | | 10 | WASHER OD14.7XID5.5XT1.2MM | |
| 12 | | 5 | SPACER | |
| 13 | VS15158 | 5 | SQUEEGEE WHEEL | |
| 14 | | 5 | SCREW M5X20MM | |
| 15a | | 1 | BLADE SQUEEGEE FRONT NR | |
| 15b* | | 1 | BLADE SQUEEGEE FRONT PU | |
| 16 | 55942479 | 1 | STRAP FRONT | |
| K1 | 55942502 | 1 | SQUEEGEE ASSEMBLY | |
| K2 | 55942504 | 1 | BEND CONNECTOR KIT | |
| K3 | 55942470 | 1 | STUD KIT | |
| K4 | VS15436 | 5 | SQUEEGEE WHEEL KIT | |
| K5a | 55942487 | 1 | BLADE SQUEEGEE NR KIT | |
| K5b* | 55942488 | 1 | BLADE SQUEEGEE PU KIT | |

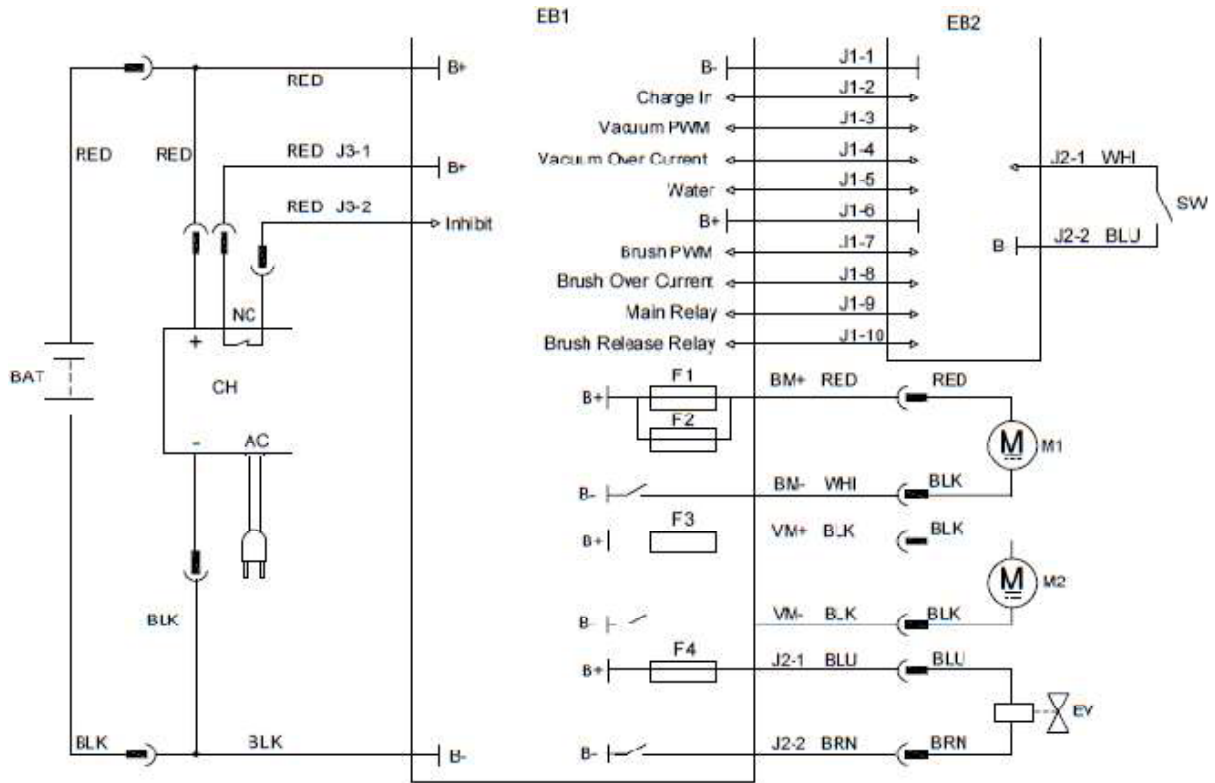


| Pos. | Vare-nr | Antal | Beskrivelse | Notes |
|------|------------|-------|-------------------------------------|-------|
| 1 | | 3 | SCREW M4 | |
| 2 | | 1 | SKIRT DECK | |
| 3 | 910000144 | 1 | RONDELHOLDER 17" 432MM | |
| 4* | | 1 | PAD 17 INCH | |
| 5 | 9097469000 | 1 | Børste Prolene 17" Ø430 mm | |
| 5* | 9097581000 | 1 | Børste Union Mix 17" Ø430 mm | |
| 5* | 9097580000 | 1 | Børste Prolite 17" Ø430 mm | |
| 5* | 9097578000 | 1 | Børste Mid Grit 180 240 17" Ø430 mm | |
| 5* | 9097579000 | 1 | Børste Midlite Grit 240 17" Ø430 mm | |
| 6 | | 2 | WASHER ID6XOD18XT1.5MM | |
| 7 | | 4 | WASHER DIAMETER 6MM | |
| 8 | | 2 | WASHER ID6XOD13X2MM | |
| 9 | VS15106 | 1 | SQUEEGEE BRACKET | |
| 10 | | 1 | SCREW M8X40MM | |
| 11 | | 1 | NUT M8 | |
| 12 | VF80241 | 1 | PLASTIC BUSHING | |
| 13 | | 3 | NUT M6 | |
| 14 | VP11007 | 1 | ADJUSTABLE NUT | |
| 15 | | 1 | SCREW | |
| 16 | | 1 | SPRING | |
| 17 | VS15104 | 1 | BRACKET BRUSH MOTOR | |
| 18 | | 2 | SCREW M8X25MM | |
| 19 | | 2 | WASHER ID8XOD20XT2MM | |
| 20 | | 2 | SPACER | |
| 21 | VS15032 | 1 | BRUSH MOTOR 24V DC | |
| 22 | VS15111 | 1 | INLET TUBE | |
| 23 | | 1 | MOTOR FIXING PLATE | |
| 24 | | 4 | SCREW M6X20MM | |
| 25 | | 4 | WASHER ID6XOD15XT1.5MM | |
| 26 | | 4 | SCREW M6X20MM | |
| 27 | VS15154 | 2 | WEAR RESISTANT WASHER | |
| 28 | VS15329 | 1 | ROTATION CIRCLE | |
| 29 | VS15155 | 1 | SQUEEGEE ROTATION ARM | |
| 30 | | 3 | NUT M5 | |
| 31 | | 4 | WASHER ID5XOD10XT1.0MM | |
| 32 | VS15112 | 1 | LIFTING HANDLE FOR SQUEEGEE | |
| 33 | | 1 | SPACER | |
| 34 | | 1 | SCREW Ø6XM5X104MM | |
| 35 | | 1 | SQUEEGEE TRAY | |
| 36 | | 4 | SCREW M6x16MM | |
| 37 | 55942444 | 1 | HUB | |
| 38 | | 1 | WASHER ID8.4XOD28XT2MM | |
| 39 | | 3 | WASHER DIAMETER 8MM | |
| 40 | | 1 | SCREW M8x16MM | |
| 41 | VF85128 | 1 | BLOCK | |
| 42 | | 1 | SCREW M6X25MM | |
| 43 | | 1 | LOCKWASHER | |
| 44 | | 1 | ROLLER BUMPER | |
| 45 | | 1 | SPACER | |
| 46 | VS15156 | 1 | BRUSH DECK | |
| 47 | | 1 | SCREW M6 | |
| 48 | | 1 | WASHER | |
| 49 | | 2 | WASHER ID6XOD22X1.5MM | |
| 50 | VS15105 | 1 | SQUEEGEE CONNECTION FRAME | |
| 51 | | 1 | SCREW Ø6XM5X96.5MM | |
| 52 | | 1 | SCREW Ø6XM5X114MM | |
| 53 | VF89116 | 4 | CARBON BRUSH KIT | |
| 54 | VR14003 | 1 | KEY | |
| K1 | VS15439 | 1 | SKIRT BRISTLE KIT | |

| Pos. | Vare-nr | Antal | Beskrivelse | Notes |
|------|----------|-------|---------------------------------|-------|
| K2 | VS15442 | 1 | REGULATING FULCRUM KIT | |
| K3 | VS15443 | 1 | STRAIGHT ADJUSTING KNOB KIT | |
| K4 | VS15444 | 2 | SCREW KIT1 | |
| K5 | VS15445 | 1 | MOTOR FIXING PLATE KIT | |
| K6 | VS15446 | 1 | SCREW KIT2 | |
| K7 | VS15447 | 1 | SQUEEGEE ROTATION ARM KIT | |
| K8 | VS15448 | 1 | LIFTING HANDLE FOR SQUEEGEE KIT | |
| K9 | VS15449 | 1 | SQUEEGEE TRAY KIT | |
| K10 | 55942471 | 1 | HUB KIT | |
| K11 | VS15455 | 1 | ROLLER BUMPER KIT | |
| K12 | VS15451 | 1 | SCREW KIT3 | |
| K13 | VS15452 | 1 | SQUEEGEE CONNECTION FRAME KIT | |
| K14 | VS15453 | 1 | SQUEEGEE BRACKET KIT | |

WEAR AND TEAR PARTS

| Pos. | Vare-nr | Antal | Beskrivelse | Notes |
|------|----------|-------|--|-------|
| 1 | 55942448 | 1 | LEVER BRUSH SWITCH KIT | |
| 2 | VV81063 | 1 | MICRO SWITCH - ROLLER BRUSH AND PUMP KIT | |
| 3 | VS15133 | 1 | ADJUST LEVER HANDLE | |
| 4 | VS15192 | 1 | GEAR | |
| 5 | VS15025 | 1 | DASH BOARD 24V AGM | |
| 6 | VS15386 | 1 | CONNECTION ROD KIT | |
| 7 | 55942443 | 1 | GASKET OF RECOVERY TANK LID | |
| 8 | VS15323 | 1 | VACUUM GRID WITH AUTO SHUT-OFF FLOAT | |
| 9 | VS15400 | 1 | DRAIN HOSE KIT | |
| 10 | VS15026 | 1 | CONTROLLER MAIN MACHINE | |
| 11 | VS15018 | 1 | CHARGER 10A | |
| 12a | VF89725 | 1 | POWER LINE EU | |
| 12b | VF89726 | 1 | CHARGER POWER CABLE UK PLUG | |
| 12c | VF89724 | 1 | CHARGER POWER CABLE US PLUG | |
| 13 | VS15003 | 1 | VACUUM MOTOR 24V 350W | |
| 14 | 55942433 | 1 | HOSE FRESH WATER LEVEL KIT | |
| 15 | VF89110A | 1 | KIT DRAIN WATER | |
| 16 | VS15415 | 1 | SUCTION HOSE KIT | |
| 17 | VS15430 | 1 | WHEEL 6 INCH | |
| 18 | VS15327 | 1 | 3.5 INCH CASTER | |
| 19 | VS15021 | 1 | 24V DC SOLENOID VALVE KIT | |
| 20 | VF90621 | 1 | FILTER | |
| 21 | 55942487 | 1 | BLADE SQUEEGEE NR KIT | |
| 22 | VS15160 | 1 | BEND CONNECTOR | |
| 23 | VS15159 | 1 | SQUEEGEE KNOB | |
| 24 | VS15436 | 5 | SQUEEGEE WHEEL KIT | |
| 25 | 55942479 | 1 | STRAP FRONT | |
| 26 | 55942474 | 1 | STRAP REAR | |
| 27 | 55942444 | 1 | HUB | |
| 28 | VS15032 | 1 | BRUSH MOTOR 24V DC | |
| 29 | VF89116 | 4 | CARBON BRUSH KIT | |
| 30 | VR14003 | 1 | KEY | |



| Pos. | Vare-nr | Antal | Beskrivelse | Notes |
|------|---------|-------|----------------------------------|-------|
| BAT | VF90223 | 2 | Batteri til Viper AS430/510 85aH | |
| CH | VS15018 | 1 | CHARGER 10A | |
| EB1 | VS15026 | 1 | CONTROLLER MAIN MACHINE | |
| EB2 | VS15025 | 1 | DASH BOARD 24V AGM | |
| M1 | VS15032 | 1 | BRUSH MOTOR 24V DC | |
| M2 | VS15003 | 1 | VACUUM MOTOR 24V 350W | |
| EV | VS15021 | 1 | 24V DC SOLENOID VALVE KIT | |
| SW | VV81432 | 1 | MICRO SWITCH | |

