

# PARTS LIST

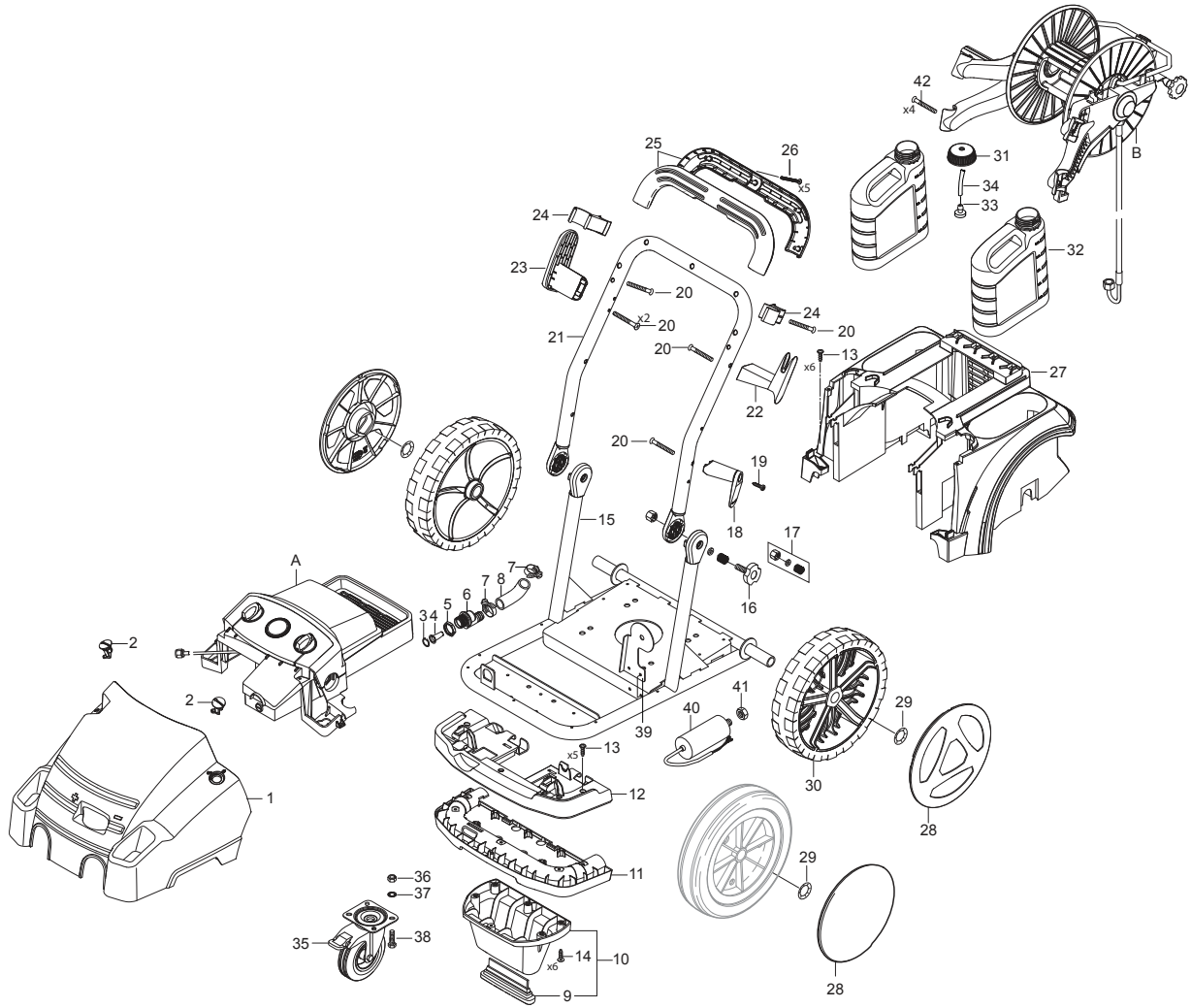


2022.05.12

# TABLE OF CONTENTS

---

Overview .....	1
Electric box .....	4
Hose reel .....	7
Motor pump .....	9
Cylinder block .....	13
Unloader PA .....	15
Unloader PA without water regulation .....	17
Recommended spare parts .....	19
101118324 - NA5.2 Pump kit .....	22
Default accessories .....	24

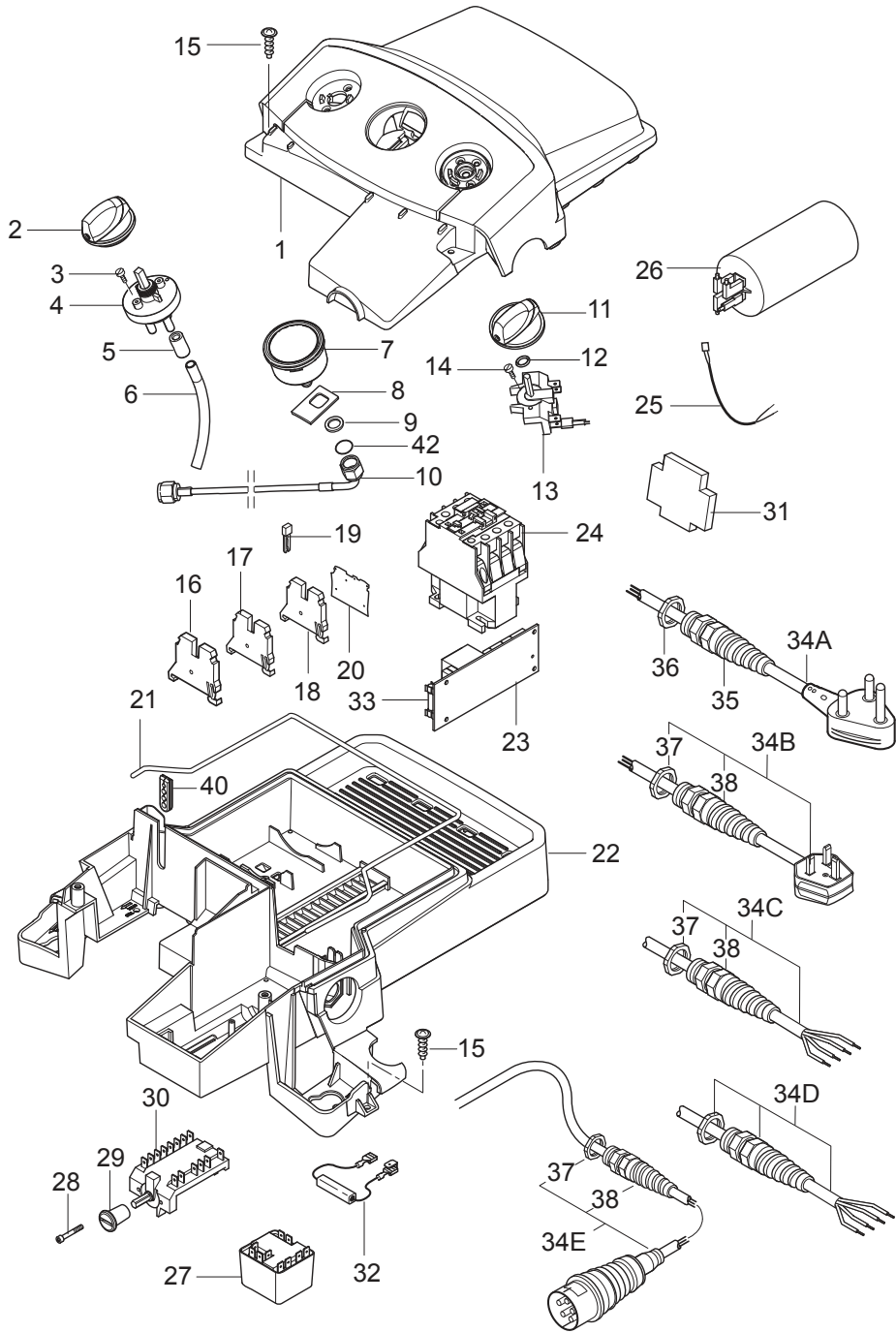


Pos.	Vare-nr	Antal	Beskrivelse	Notes
A		1	El-box complete	[1]
B		1	Hose reel complete	[2]
1	107141600	1	CABINET FRONT NA POSEIDON 5	
1	107141601	1	CABINET FRONT NA POS 5 NO REGULATION	
1	107140958	1	CABINET FRONT NA POSEIDON 5 UNITOR	
2	301001261	2	Lås	
3	107141667	1	LOCK WASHER	
4	101117926	1	Filter	
5	1800341	1	"Kontramøtrik 3/4" " "	
6	107141668	1	WATER INLET PIPE NA5/NA6	
7	23221	2	HOSE CLAMP 20-32	
8	107141670	1	RUBBER ELBOW NA5/NA6	[3]
8	107141697	1	RUBBER ELBOW NA5/NA6 FA	[4]
9	107141615	1	RUBBER FOOT	
10	101118100	1	FRONT FOOT FOR POSEIDON KIT	
11	107141617	1	BUMPER BOTTOM	
12	107141618	1	BUMPER TOP	
13	107141690	5	SCREW M5X12 DIN7985 TORX TAPTITE	
14	107141838	6	SCREW K50X18 WN1451 BLACK TORX20	
15	107141620	1	FRAME NA5	
15	107141622	1	FRAME STAINLESS STEEL	
16	107141672	2	GRIB FOR FOLDABLE HANDLE	
17	101118104	2	SPRING AND LOCK NUT KIT	
18	107141625	1	CABLE HOOK MOVABLE BLACK	
19	107141838	1	SCREW K50X18 WN1451 BLACK TORX20	
20	107141627	10	SCREW K50X40 T20	
21	107141623	1	FRAME HANDLE	
22	107141632	1	CABLE HOOK	
23	107141629	1	HOSE HOOK	
24	107141630	1	LANCE HOLDER NA	
25	101118101	1	HANDLE KIT	
26	909100148	5	SCREW K40X30 WN 1452	
27	107141634	1	REAR END	
28	107145780	2	WHEEL CAP FOR WHEEL Ø300X65 - NILFISK	[5]
28	107145782	2	WHEEL CAP FOR WHEEL Ø300X65 - UNITOR	[5]
28	301001077	2	Hjulkappe	[6]
28	107140961	2	Hjulkappe Ø300 UNITOR	[5]
29	46363	2	Låsering Ø25	
29	107145570	2	CLAMPING RING D25XD42X3	
30	6184074	2	Kørehjul	[5]
30	107145637	2	WHEEL D300X65	[5]
31	107141664	2	CAP FOR DETERG. TANK WITH VALVE MOUNTED	
32	107141635	2	Flaske til rengøringsmiddel 2,5 L u. låg	
33	6400240	1	Filter	
34	106408243	1	HOSE 1/4INCH TRANSPARENT - 5 METERS	
35	107141607	1	WHEEL W. BRAKE D125	
36	1800515	4	Låsemøtrik M8	
37	1800796	4	Skive M8	
38	2753	4	Skruer	
39	107141611	1	PLATE FOR CAPACITOR	
40	107141619	1	CAPACITOR 170MF	[7]
40	107141732	1	CAPACITOR 140 UF SPARE PART	[8]
41	2761	1	HEXAGON NUT M12	[9]
42	107141695	4	SCREW K50X35 TORX 20 WN5452 BLACK	
NS	107140982	1	10 PCS OF BOXES FOR PACKAGING	

## Part Notes:

- [1] - See link Electric box  
 [2] - See link Hose reel

- [3] - PA
- [4] - FA
- [5] - The new wheel and wheel cap is added from  
Variant Ser. Nr. order nr.machine nr.  
Nilfisk 3520151900645 - 1712947 - 107146806  
Unitor 3520151901159 - 1711044 - 107146807
- [6] - STOCK COVERS GUARANTEE  
  
The new wheel and wheel cap is added from  
Variant Ser. Nr. order nr.machine nr.  
Nilfisk 3520151900645 - 1712947 - 107146806  
Unitor 3520151901159 - 1711044 - 107146807
- [7] - 230-240/1/50 UK, AU
- [8] - US
- [9] - STOCK COVERS GUARANTEE

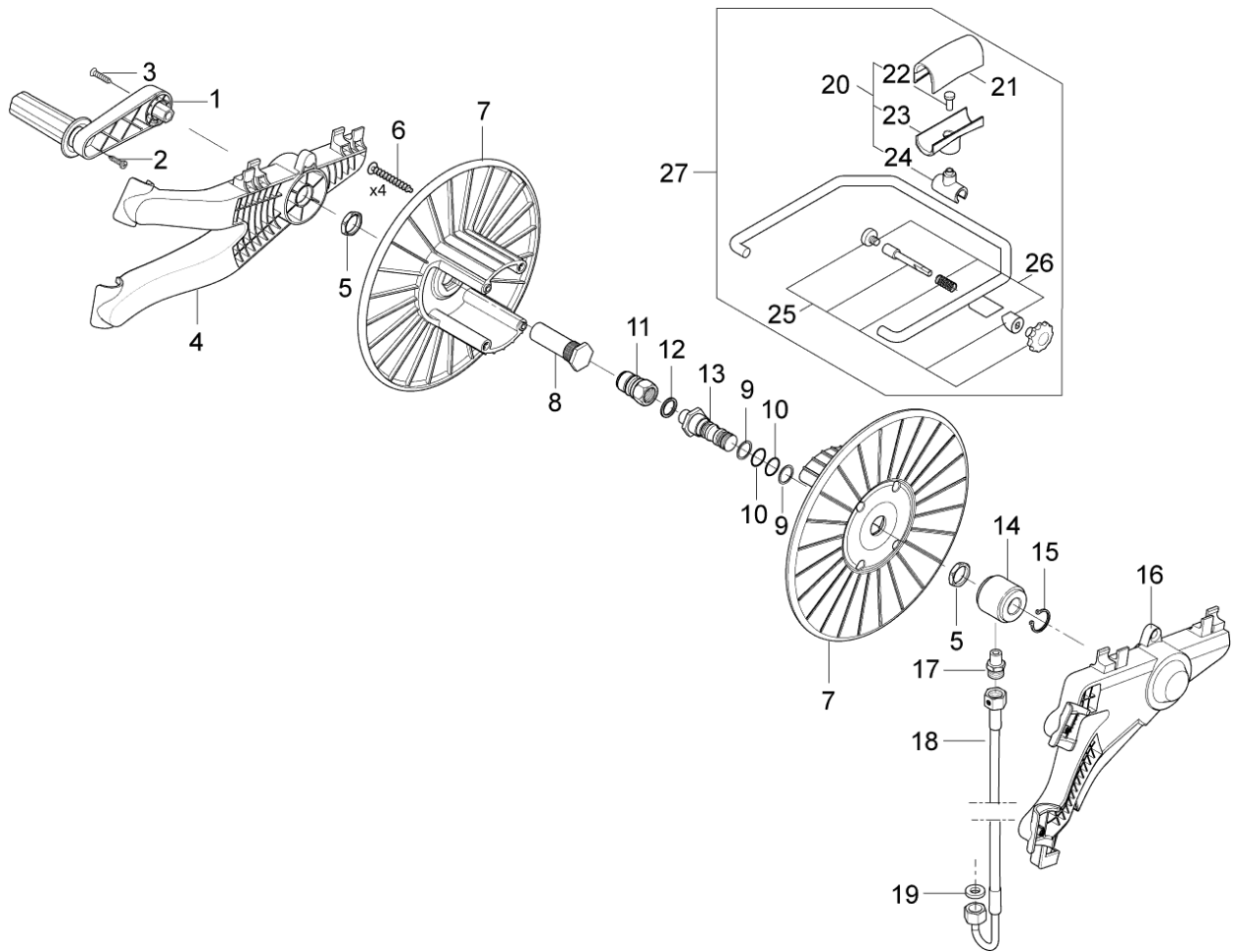


Pos.	Vare-nr	Antal	Beskrivelse	Notes
1	107141644	1	E-BOX TOP F. 1-POS SWITCH AND DET. BLACK	[1]
1	107141646	1	E-BOX TOP F. 1-POS SWITCH-NO DET. BLACK	[2]
1	107141645	1	E-BOX TOP F. 2-POS SWITCH AND DET. BLACK	[3]
2	909100214	1	Drejeknap Gr.1 4Kt	
3	1814730	2	SCREW 35X10B W1423	
4	301001000	1	Doserventil	
5	301001906	1	Lukkekappe	
6	106408243	1	HOSE 1/4INCH TRANSPARENT - 5 METERS	
7	107141648	1	MANOMETER 0-300 BAR - 1/4"	
8	107141650	1	PLATE FOR MANOMETER	
9	107141651	1	WASHER M12 13X24X2.5 A2 DIN125	
10	107141653	1	MANOMETER TUBE FA MODELS	[4]
10	107141652	1	MANOMETER TUBE	[5]
11	909100204	1	Drejeknap	
12	9868	1	O-ring 10.0X2.5	
13	301001058	1	Start/stop kontakt	[6]
13	28877	1	Switch	[7]
14	18274	1	Skrue M4X12	
15	107141838	6	SCREW K50X18 WN1451 BLACK TORX20	
16	103821922	1	DIN-END STOP WO/SCREW WAGO 249-116	
17	107141633	1	TERMINAL BLOCK 4Q PE	[8]
18	107307394	1	WIRE TERMINAL 4Q WAGO 2004-1201	
19	103821969	1	Laske Wago 4Q	
20	103821968	1	Endeplade Wago 4Q	
21	101406054	1	Sponge Rubber Ø4 L 1M	
22	107141654	1	E-BOX BOTTOM DRILLED /CABLE/	
22	107141665	1	E-BOX BOTTOM	
22	107141655	1	E-BOX BOTTOM DRILLED /SWITCH/	[9]
23	107141666	1	PCB POSEIDON 5-6-7	
24	103822314	1	CONTACTOR CJX2-D32 32A 230V 3P+NO	[10]
24	103822303	1	Contacto Cjx2-D18-V7 400	[11]
24	63910	1	KONTAKTOR	[12]
24	103822304	1	Contacto Cjx2-D18-P7 230 V	[13]
25	107141796	1	PCB WIRE FOR SUCTION MODE	[14]
25	107141656	1	WIRE	
26	101117947	1	CAPACITOR 100UF 450V DOUBLE 6.3 FASTON	[15]
26	107143182	1	CAPACITOR 70UF 450/500V RP-3	[16]
27	107142761	1	START RELAY RVA4G0C	[13]
27	107140968	1	START RELAY RVA4AH0C	[17]
27+32	101118305	1	START RELAY RVA4G0C KIT	[18]
27+32	101118143	1	START RELAY KIT F. POSEIDON 5-6-7 1PH US	[17]
28	101117739	2	SCREW HEX M4X22-8.8 A2K DIN912	
29	64580	1	ROTARY KNOB	[19]
30	301000293	1	Kontakt Stjerne/Trekant	
31	64773	1	Hjælpekontakt	
32	107141730	1	DISCHARGE RESISTOR 15KOHM/7W	[20]
33	301000263	1	Fuse 0,63A/500V/T Ø6 3X32	
34A	301000407	1	POWER CORD SJOW AWG10/3X9.0	[21]
34B	301000912	1	POWER CORD H07RN-F 3G1.5X6.0	[22]
34C	101117811	1	POWER C.H07RN 4G1.5 GDN 6.3X0.8 KIT	[23]
34D	301001384	1	POWER CORD VCT 4X3.5X10,8M W/O PLUG AEH	[24]
34D	301000834	1	Ledning Med Stik	[25]
35	909100198	1	SCREWED CABLE GLAND M25X1.5	[26]
36	909100020	1	Hexagon Thin Nut M25X1.5 En 50262 P	[26]
37	909100019	1	Møtrik	[27]
38	909100043	1	Kabelafasting	[27]
40	107141663	1	RUBBER GROMMET	
42	31000508	1	O-RING NBR	

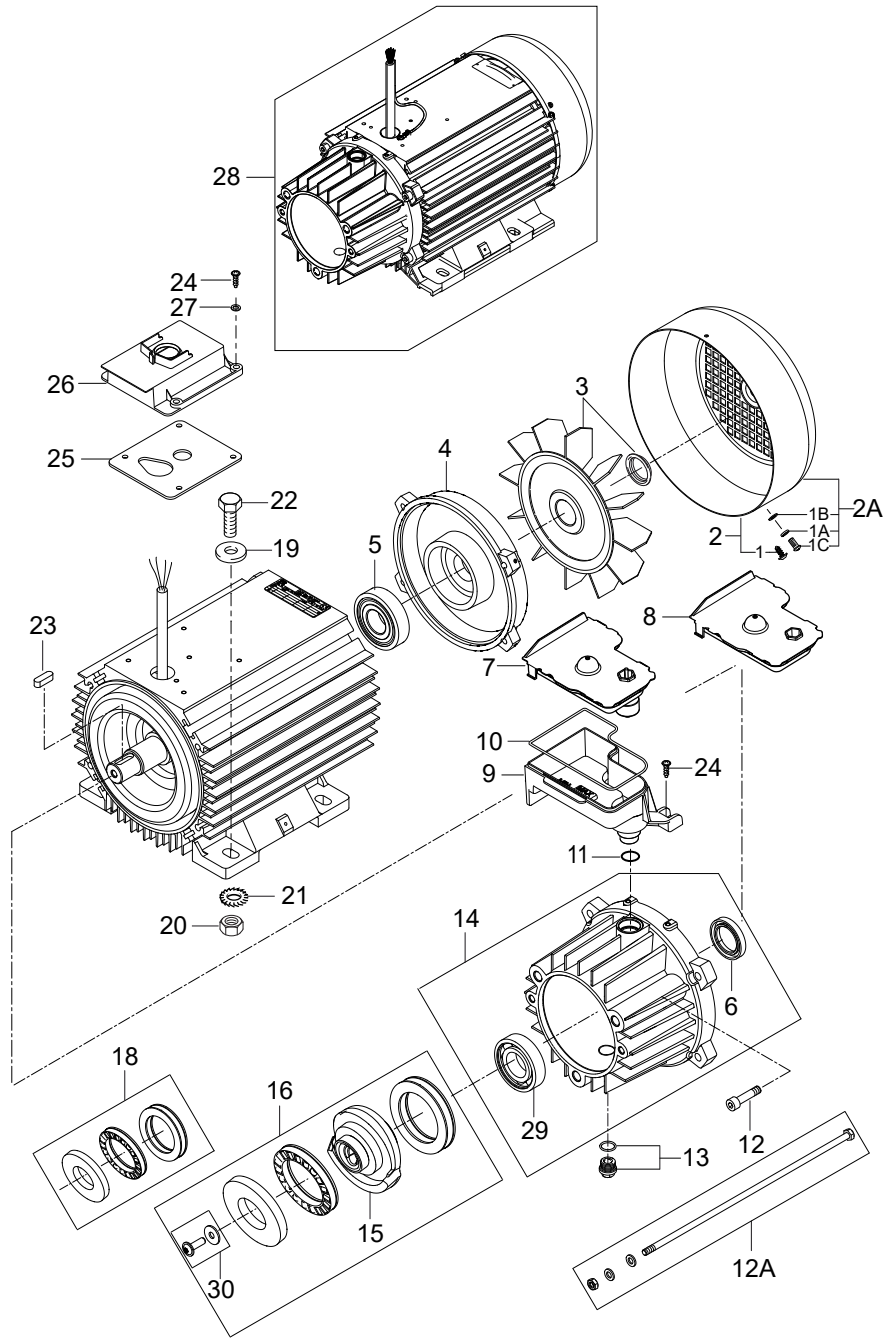
## Part Notes:

- [1] - 1 pos. and detergent
- [2] - 1 pos. without detergent
- [3] - 2 pos. and detergent
- [4] - FA
- [5] - PA
- [6] - 1-POS.
- [7] - 2-POS.
- [8] - ECN-1010232
- [9] - Star/triangle
- [10] - (220-240/1/60 US) (200/3/50-60Hz JP)
- [11] - 400/3/50Hz
- [12] - 220/440/3/50/60Hz
- [13] - 230/1/50Hz
- [14] - S1 to X8 – “suction mode wire”
- [15] - 5-52FA
- [16] - 230/1/50 UK  
TSB-PPW-2018-003 MH\_MC change of start relay and run capacitor
- [17] - 220-240/1/60 US
- [18] - 230/1/50 UK, AUS  
  
TSB-PPW-2018-003 MH\_MC change of start relay and run capacitor  
TSB-PPW-2018-003 MH\_MC Changement du relais de démarrage et du condensateur de fonctionnement
- [19] - TSB-PPW-2016-007 Rotary knob for Voltage selector switch 230V-400V must be sealed with lacquer  
DE TSB-PPW-2016-007 Drehknopf des Spannungsauswahlschalters 230V-400V muss mit Lack versiegelt werden
- [20] - 230/1/50 UK, 220-240/1/60 US
- [21] - US  
GUARANTEE DATE EXPIRED
- [22] - 5-32 PA – MC 5M 100/770 PA 230/1/50 UK -M25 - M20
- [23] - NO, EXP.
- [24] - JP
- [25] - EU, 3ph
- [26] - M25
- [27] - M20





Pos.	Vare-nr	Antal	Beskrivelse	Notes
0	106403143	1	Slangerulle kit	
1	101118102	1	HOSE REEL HANDLE KIT	
2	107141838	1	SCREW K50X18 WN1451 BLACK TORX20	
3	107141673	1	SCREW M6X45 ISO 7380 BLACK TORX	
4	107141674	1	ADAPTOR RIGHT FOR HOSE REEL	
5	62696	1	Møtrik	
6	909100153	1	Ejot-Skrue K60X40	
7	301000775	1	Slangerulle Halvdæl	
8	107141675	1	AXLE FOR HOSE REEL	
9	63792	2	Back-up ring	
10	19620	2	O-ring	
11	1600493	1	Ergo højtryksskobling DN10 3/8" han	
12	1801075	1	Tætningsskive 3/8"	
13	107141676	1	SWIVEL SCREW FOR HOSE REEL	
14	301000977	1	Lejebøsning	
15	1802057	1	Circlip external 20x1.2 Spring steel, bl	
16	107141677	1	ADAPTOR LEFT FOR HOSE REEL	
17	54590	1	Forskruning	
18	107141678	1	CONNECTION HOSE FOR HOSE REEL	
19	65466	1	Packing Ring 8X15X1	
20	101118103	1	HOSE GUIDE PARTS KIT	
21	301000674	1	Slangeføring Overdel	
22	10028	1	Skrue	
23	301000676	1	Slangeføring Underdel	
24	107141679	1	HOSE GUIDE SLEEVE OPEN	
25	101118106	1	HOSE GUIDE BRAKE COMPLETE KIT	
26	101118111	1	HOSE GUIDE KIT	
27	101118105	1	Bremse og styre kit til slangerulle	



Pos.	Vare-nr	Antal	Beskrivelse	Notes
	31001229	1	OIL ISO 150 ALPHASYN-T 20L	
0	5218433	1	Pumpeolie ISO 150 (1 liter)	[1]
1		1	SCREW 3X9.5 MUSHROOM HEAD EME	[2]
1A		1	Spring washer Ø5	[3]
1B		1	Flat washer Ø5	[4]
1C	31000488	1	SCREW M5X8 CYLINDER HEAD PH NOTCH RF	[5]
2	107144127	1	FAN COVER - EME	[6]
2A	107144126	1	FAN COVER RF	[5]
3	107144124	1	Vifte med låsering	[2]
3	107144125	1	FAN W LOCK RING RF	[5]
4	31000148	1	Rear Bearing Cover Rf	[5]
4	31000150	1	REAR BEARING COVER EME	[2]
5	31000149	1	Leje, Rf	[5]
5	31000151	1	REAR BEARING EME	[2]
6	G120414	1	Olietætningsring 30X47X10	
7	107140883	1	OIL CONTAINER TOP W/LEVEL SENSOR	
8	107140877	1	OIL CONTAINER TOP	
9	107140879	1	OIL CONTAINER BOTTOM	
10	101406054	1	Sponge Rubber Ø4 L 1M	
11	3004221	1	O-Ring 16X2	
12	2751	4	HEX. SCREW M8X35 ISO 4017 ZN	[2]
12A	31000505	1	STAY BOLT M8X290 RF	[7]
12A	31000504	1	STAY BOLT M8X265 RF	[8]
13	107141982	1	OIL PLUG W/O-RING AND MAGNET NA5.2	
14	107141967	1	D-BEARING COVER COMPLETE NA5.2	[9]
15	107141990	1	WOBBLE DISC 7.74 DEG. NA5.2	[10]
15	107141961	1	WOBBLE DISC 8.4 DEG. NA5.2	[11]
15	107141962	1	WOBBLE DISC 8.7 DEG. NA5.2	[12]
15	107141963	1	WOBBLE DISC 9.15 DEG. NA5.2	[13]
15	107141964	1	WOBBLE DISC 10.2 DEG. NA5.2	[14]
15	107141965	1	WOBBLE DISC 10.9 DEG. NA5.2	[15]
15	107141966	1	WOBBLE DISC 12 DEG. NA5.2	[16]
16	101118248	1	WOBBLE DISC 7.74 DEG. BEARING KIT NA5.2	[17]
16	101118246	1	WOBBLE DISC 8.4 DEG. BEARING KIT NA5.2	[11]
16	101118247	1	WOBBLE DISC 8.7 DEG. BEARING KIT NA5.2	[12]
16	101118245	1	WOBBLE DISC 9.15 DEG. BEARING KIT NA5.2	[13]
16	101118243	1	WOBBLE DISC 10.2 DEG. BEARING KIT NA5.2	[18]
16	101118242	1	WOBBLE DISC 10.9 DEG. BEARING KIT NA5.2	[19]
16	101118241	1	WOBBLE DISC 12 DEG. BEARING KIT NA5.2	[20]
18	101118240	1	BEARING KIT FA PA - NA5.2	
19	2767	7	Pakning 10,5X2	
20	1800465	4	Møtrik M10	
21	10204	4	SERRATED LOCK WASHER A10	
22	8927	4	HEXAGON HEAD CAP SCREW M10X 35 ISO 4017	
23	19639	1	Fjede A	
24	107140881	2	SCREW M5X12 DIN 7985 TORX	
25	107140875	1	SEALING BETWEEN E-BOX AND MPU	[21]
26	107140876	1	COVER FOR E-BOX ON MOTOR	
27	2767	4	Pakning 10,5X2	
28	107141953	1	MOTOR 6.7KW 220-440/230-400/3 50/60HZ-EU	[22]
28	107141954	1	MOTOR 5.5 KW 220/230-400/440/3/50/60 EU	[23]
28	107141955	1	MOTOR 5.2 KW/220/1 60HZ 5-52 US	[24]
28	107141956	1	MOTOR 2.2 KW/230/1 50HZ	[25]
28	107141957	1	MOTOR 4KW 200/3/50-60HZ JP 5-47 JP	[26]
28	107141958	1	MOTOR 4KW 230-400/220-440 3/50-60HZ NA5	[27]
29	107144817	1	BEARING KBC 6206 GB/T818	
30	107142658	1	NA5.2 WD SCREW AND WASHER	
	101118263	1	MPU NA5.2 PA 5.5KW/400V/50HZ/3PH/10.9DEG	[28]

## Part Notes:

- [1] - 0,71L - OIL TYPES\_QUANTITY for HPW\_APRIL 2017
- [2] - - EME – has EME letter on the motor type plate
- [3] - RF – has Nilfisk letter on the motor type plate  
Ø5 spring washer
- [4] - RF – has Nilfisk letter on the motor type plate  
Ø5 flat washer
- [5] - RF – has Nilfisk letter on the motor type plate
- [6] - GUARANTEE DATE EXPIRED
- [7] - - EME – has EME letter on the motor type plate  
RF – has Nilfisk letter on the motor type plate RF incl nut and washer,  
5-62 PA - MC 5M 220/1130 PA  
  
5-62 FA - MC 5M 220/1130 FA
- [8] - RF – has Nilfisk letter on the motor type plate RF incl nut and washer,  
5-32 PA – MC 5M 100/770 PA  
5-41 PA – MC 5M 180/840 PA  
5-47 PA – MC 5M 170/980 PA  
5-53 PA - MC 5M 200/1000 PA  
5-56 PA - MC 5M 200/1050 PA  
5-56 FA - MC 5M 200/1050 FA
- [9] - with 2 pins D4x8 - See instruction 107141734A\_mounting D-bearing cover NA5  
TSB-PPW-2015-002 NA5.2 Pump Information
- [10] - 5-32 PA – Machine no. 107146700, 107146701 MC 5M 100/770  
5-30 PA 240/1/50-  
  
5-41 PA , 220/440/3/60
- [11] - 5-47 PA – Machine no. 107146703 MC 5M 170/980 PA, 200/3/60 JP
- [12] - 5-41 PA – Machine no. 107146705 MC 5M 180/840 PA, 400/3/50
- [13] - 5-56 PA - Machine no. 107146713 MC 5M 200/1050 PA, 60Hz
- [14] - 5-52 FA, 5-47 PA –  
Machine no. 107146702 MC 5M 170/980 PA 200/3/50 JP,  
107146719 MC 5M-220/1130 exp.,  
107146724 MC 5M-2300/4.8 US
- [15] - 5-53 PA -  
Machine no. 107146727, 107146728 MC 5M 200/1000  
5-56 PAFA -  
Machine no. 107146710, 107146711, 107146714, 107146715, 107146716, 107146743 MC 5M 200/1050
- [16] - 5-62 FA -  
Machine no. 107146718, 107146721, 107146722 MC 5M 220/1130 FA, 400/3/50
- [17] - 5-32 PA – Machine no. 107146700, 107146701 MC 5M 100/770  
5-30 PA 240/1/50-  
5-41 PA , 220/440/3/60
- [18] - 5-52 FA, 5-47 PA –  
Machine no. 107146702 MC 5M 170/980 PA 200/3/50 JP,  
107146719 MC 5M-220/1130 exp.,  
107146724 MC 5M-2300/4.8 US
- [19] - 5-53 PA - Machine no. 107146727, 107146728 MC 5M 200/1000  
5-56 PAFA - Machine no. 107146710, 107146711, 107146714, 107146715, 107146716, 107146743 MC 5M 200/1050
- [20] - 5-62 FA -  
Machine no. 107146718, 107146721, 107146722 MC 5M 220/1130 FA, 400/3/50

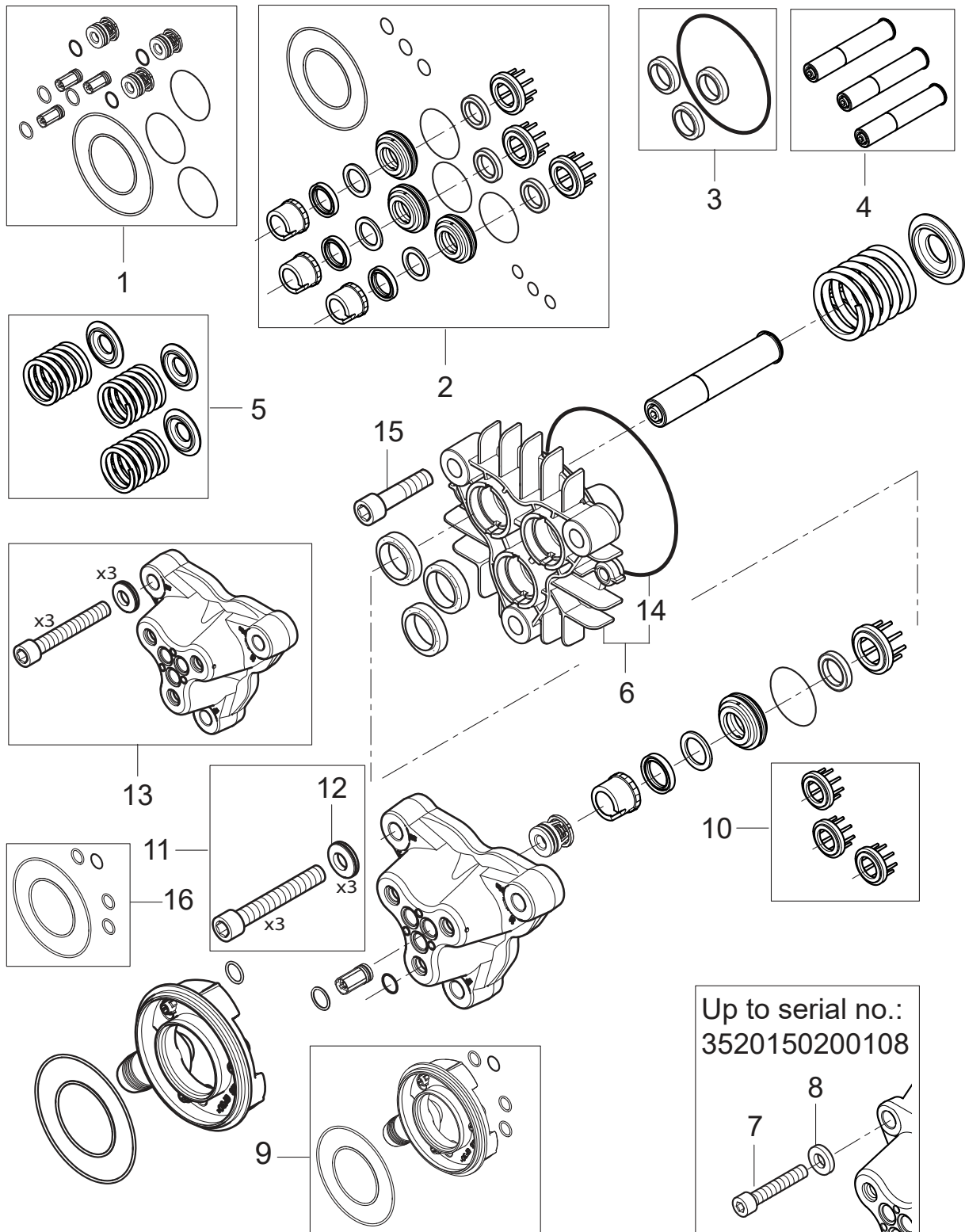
- 
- [21] - TSB-PPW-2018-012 NA5\_NA6 mpu. Water enters into the stator.
  - [22] - 5-62 PA - MC 5M 220/1130 PA  
5-62 FA - MC 5M 220/1130 FA  
Also order Gasket for motor, 107140875
  - [23] - 5-53 PA - MC 5M 200/1000 PA  
5-56 PA - MC 5M 200/1050 PA  
5-56 FA - MC 5M 200/1050 FA  
Also order Gasket for motor, 107140875
  - [24] - 5-52 US  
Also order Gasket for motor, 107140875
  - [25] - 5-32 PA – MC 5M 100/770 PA UK  
Also order Gasket for motor, 107140875
  - [26] - 5-47 PA – MC 5M 170/980 PA JP  
Also order Gasket for motor, 107140875
  - [27] - 5-41 PA – MC 5M 180/840 PA  
Also order Gasket for motor, 107140875
  - [28] - MC 5M-200/1050 XT 400/3/50 EU

# Cylinder block

POSEIDON 5-53 PA / MC 5M 200/1000 PA

2019.01.23

2019.04.05

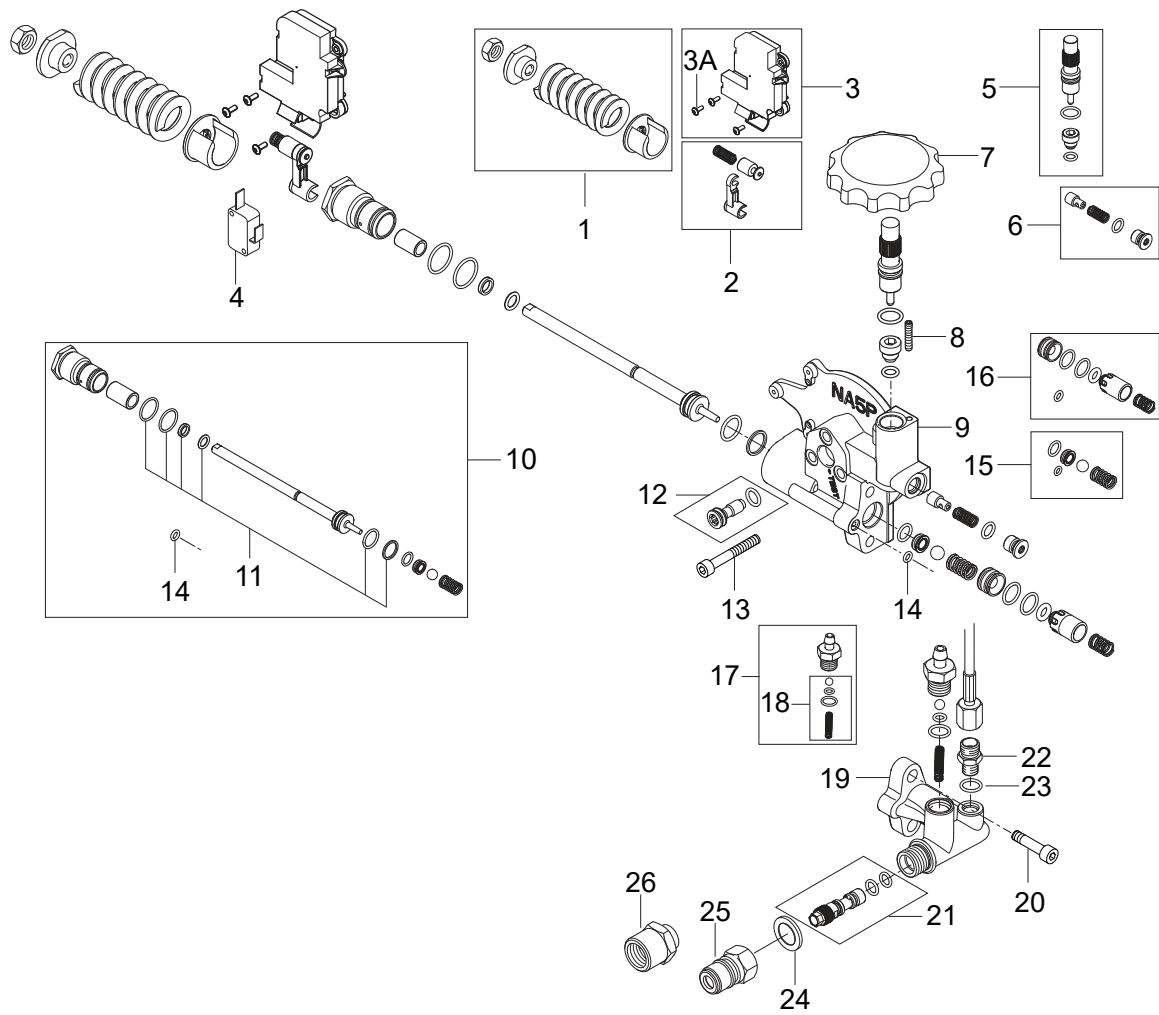


Pos.	Vare-nr	Antal	Beskrivelse	Notes
1	101118121	1	VALVE KIT - NA5	
2	101118323	1	WATER SEAL KIT NA5	[1]
2	101118256	1	WATERAFDICHTING NA5 HEAVYDUTY HOT SUCTIO	[2]
3	107144102	1	Oliemanchet Kit - Na5	
4	101118239	1	PISTON KIT - NA5.2	
5	107144104	1	Fjeder Kit - Na5	
6	107141983	1	CYLINDER BLOCK W/ O-RING NA5.2	[3]
7	107141513	3	CYLINDRICAL SCREW M12X65 12.9 DELTASIL	[3]
8	107141727	3	WASHER D13 SPARE PART	[3]
9	101118078	1	WATER INLET KIT FOR NA5	
10	107140919	1	SUPPORT RING NA5 SPARE	
11	107141968	1	CYL.SCREW M12X80 WITH NORDLOCK WASHER	[3]
12	107141969	3	WASHER NLX12SP D12.5XD25.4X4.2MM	[3]
13	107141985	1	CYLINDER HEAD NA5.2 W. SCREWS WASHERS	[3]
14	107141512	1	O-RING D114 X D1.78 NBR 72	
15	4042	2	CYLINDER SCREW M8X40 ISO 4762 8.8 ZN	
16	101118080	1	SEAL KIT FOR WATER INLET FOR NA5 FA PA	

## Part Notes:

- [1] - TSB-PPW-2020-003 NA5 pump THRUST COLLAR changed  
DE TSB-PPW-2020-003 NA5 Pumpe - Änderung der Druckringe
- [2] - TSB-PPW-2020-003 Nouvelles bagues laiton pour pompe NA5  
Heavy duty water seal kit. Inlet temperature can be increased from 60°C (140°F) to 80°C (176°F).
- TSB-PPW-2018-001 NA5.2 Pump Heavy Duty Kit hot water  
DE TSB-PPW-2018-001 NA5.2 Pumpe Heißwasser Kit
- [3] - TSB-PPW-2018-001 Kit de joints renforcés pour pompe NA5\_2  
TSB-PPW-2015-002 NA5.2 Pump Information  
TSB-PPW-2012-007 Washer for cylinder block NA5  
DE TSB-PPW-2012-007 Unterlagscheibe Zylinderkopf

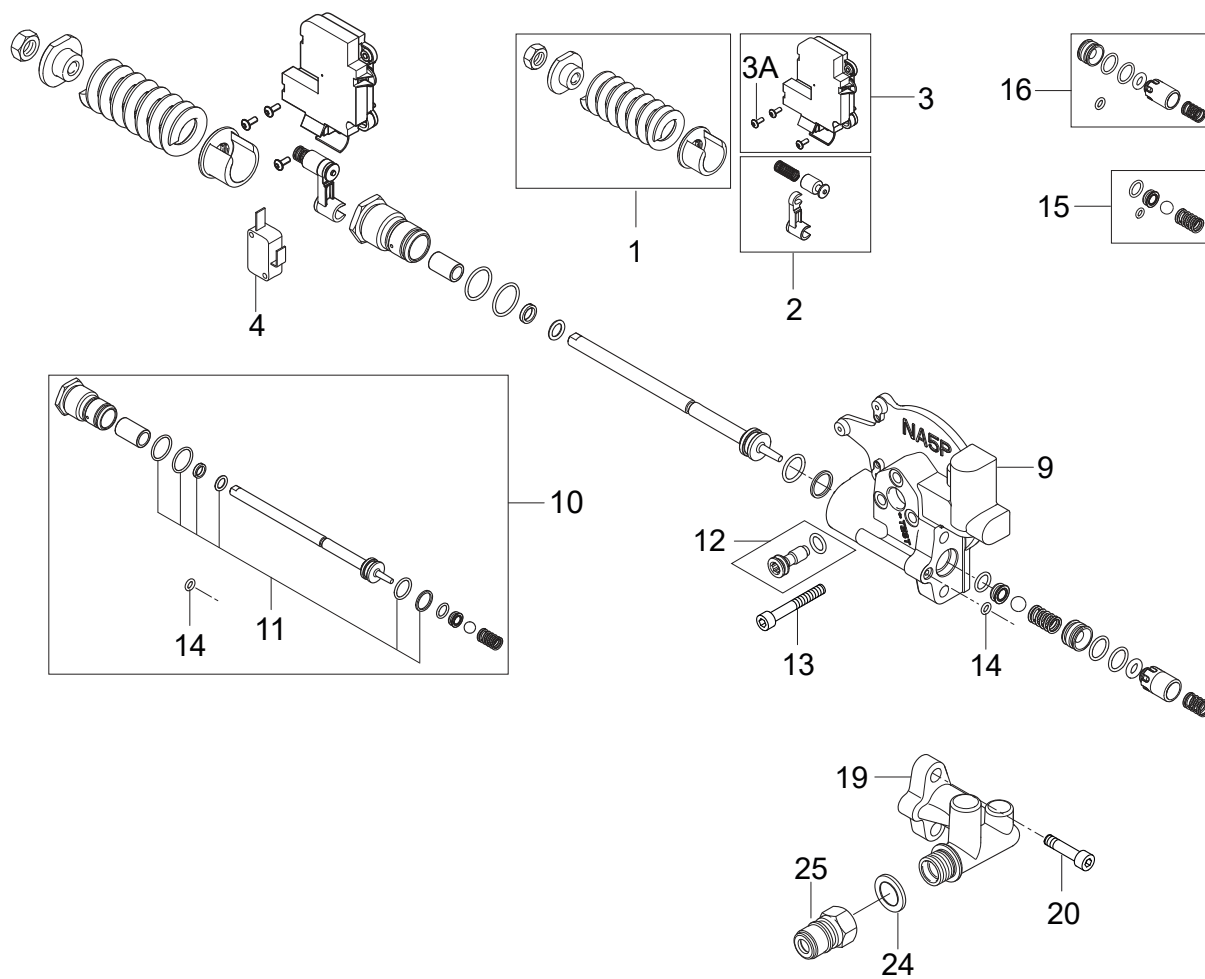




Pos.	Vare-nr	Antal	Beskrivelse	Notes
1	101118091	1	UNLOADER SPRING REP. KIT-PAINTED NA5 PA	[1]
1	101118092	1	UNLOADER SPR. REP.KIT-NON PAINTED NA5 PA	[2]
2	101118090	1	MICROSW. ACTIVATION REP. KIT NA5 PA	
3	101118084	1	MICROSWITCH BOX W/O MICROSW. NA5 PA	
3A	107141515	3	SCREW M3X8 ISO7380 FZG TORX 10	
4	301002754	1	Micro-Switch	
4A	107143308	1	CABLE FOR MICRO SWITCH MC5	
5	101118313	1	FLOW REGULATION VALVE KIT	[3]
6	101118314	1	PRESSURE BUILD UP VALVE HIGH FLOW KIT	[3]
7	107140823	1	REGULATOR KNOB NA5/NA6	
8	106408188	1	DIN 913 M4X20 POINTED SCREW	
9	107140884	1	UNLOADER PA NA5	[3]
10	101118294	1	STEM + SEALING REP. KIT NA5/5.2/6/6+ PA	[4]
11	101118083	1	SEAL KIT FOR STEM FOR NA5 PA	
12	107144137	1	Unloader Plug Na5	
13	5100	3	Screw M6X45	
14	107141514	1	O-RING D4 X D1.5 NBR 90	
15	101118295	1	BYPASS VALVE REP. KIT NA5.2 PA	[5]
16	101118254	1	HOLDING PRESS.V.REP. KIT NA5.2PA - UK AU	[6]
17	1119406	1	Rep. sæt kontraventil	
18	101118089	1	NON RETURN VALVE REP. KIT NA5 PA	
19	107141516	1	OUTLET FITTING NA5 PA	
20	8894	2	Skruer	
21	107144112	1	Injektør - Na5	
22	1821	1	Fitting	
23	101814735	1	"Tætn.Skive 1/8" Pp45C Bond "	
24	1801075	1	Tætningsskive 3/8"	
25	1600493	1	Ergo højtryk kobling DN10 3/8" han	
25	1603101	1	Ergo højtryk kobling DN10 RF han	[7]
26	64235	1	CONVERTER KEW/WAP	

Part Notes:

- [1] - 5-47 PA – MC 5M 170/980 PA  
5-56 PA - MC 5M 200/1050 PA  
5-56 FA - MC 5M 200/1050 FA  
5-62 PA - MC 5M 220/1130 PA  
5-62 FA - MC 5M 220/1130 FA(5-41 PA – MC 5M 180/840 PA)
- [2] - 5-30,  
5-32 PA – MC 5M 100/770 PA
- [3] - TSB-PPW-2020-001 MH 4\_MH 5M Damper Valve removed  
DE TSB-PPW-2020-001 MH 4 MH 5M Dämpferkolben entfernt  
TSB-PPW-2020-001 MH 4M5M\_ MC 5M machine en version PA. Supression de l'anti bélier
- [4] - TSB-PPW-2017-005 Low pressure—Unloader valve for NA5.2 pump can leak internally  
DE TSB-PPW-2017-005 Niederdruck-Unloader Ventil für die NA5.2 Pumpe kann...
- [5] - TSB-PPW-2017-005 Low pressure—Unloader valve for NA5.2 pump can leak internally
- [6] - 5-32, UK and 5-30, AU  
TSB-PPW-2017-005 Low pressure—Unloader valve for NA5.2 pump can leak internally
- [7] - INOX



Pos.	Vare-nr	Antal	Beskrivelse	Notes
1	101118091	1	UNLOADER SPRING REP. KIT-PAINTED NA5 PA	[1]
2	101118090	1	MICROSW. ACTIVATION REP. KIT NA5 PA	
3	101118084	1	MICROSWITCH BOX W/O MICROSW. NA5 PA	
3A	107141515	3	SCREW M3X8 ISO7380 FZG TORX 10	
4	101118011	1	End Switch 250V 5A W.Wire Fsh/Fs 6.3 Ki	
4A	107143308	1	CABLE FOR MICRO SWITCH MC5	
9	107140932	1	UNLOADER PA NA5 W/O WATERREG./DETERG.	
10	101118294	1	STEM + SEALING REP. KIT NA5/5.2/6/6+ PA	[2]
11	101118083	1	SEAL KIT FOR STEM FOR NA5 PA	
12	107144137	1	Unloader Plug Na5	
13	5100	3	Screw M6X45	
14	107141514	1	O-RING D4 X D1.5 NBR 90	
15	101118295	1	BYPASS VALVE REP. KIT NA5.2 PA	
16	101118254	1	HOLDING PRESS.V.REP. KIT NA5.2PA - UK AU	
19	107140933	1	OUTLET FITTING NA5 PA W/O WAT.REG./DET.	
20	8894	2	Skrue	
24	1801075	1	Tætningskive 3/8"	
25	1603101	1	Ergo højtrykskobling DN10 RF han	[3]
25	1600493	1	Ergo højtrykskobling DN10 3/8" han	

## Part Notes:

- [1] - 5-41 PA – MC 5M 180/840 PA  
5-53 PA - MC 5M 200/1000 PA
- [2] - TSB-PPW-2017-005 Low pressure—Unloader valve for NA5.2 pump can leak internally  
DE TSB-PPW-2017-005 Niederdruck-Unloader Ventil für die NA5.2 Pumpe kann...
- [3] - INOX

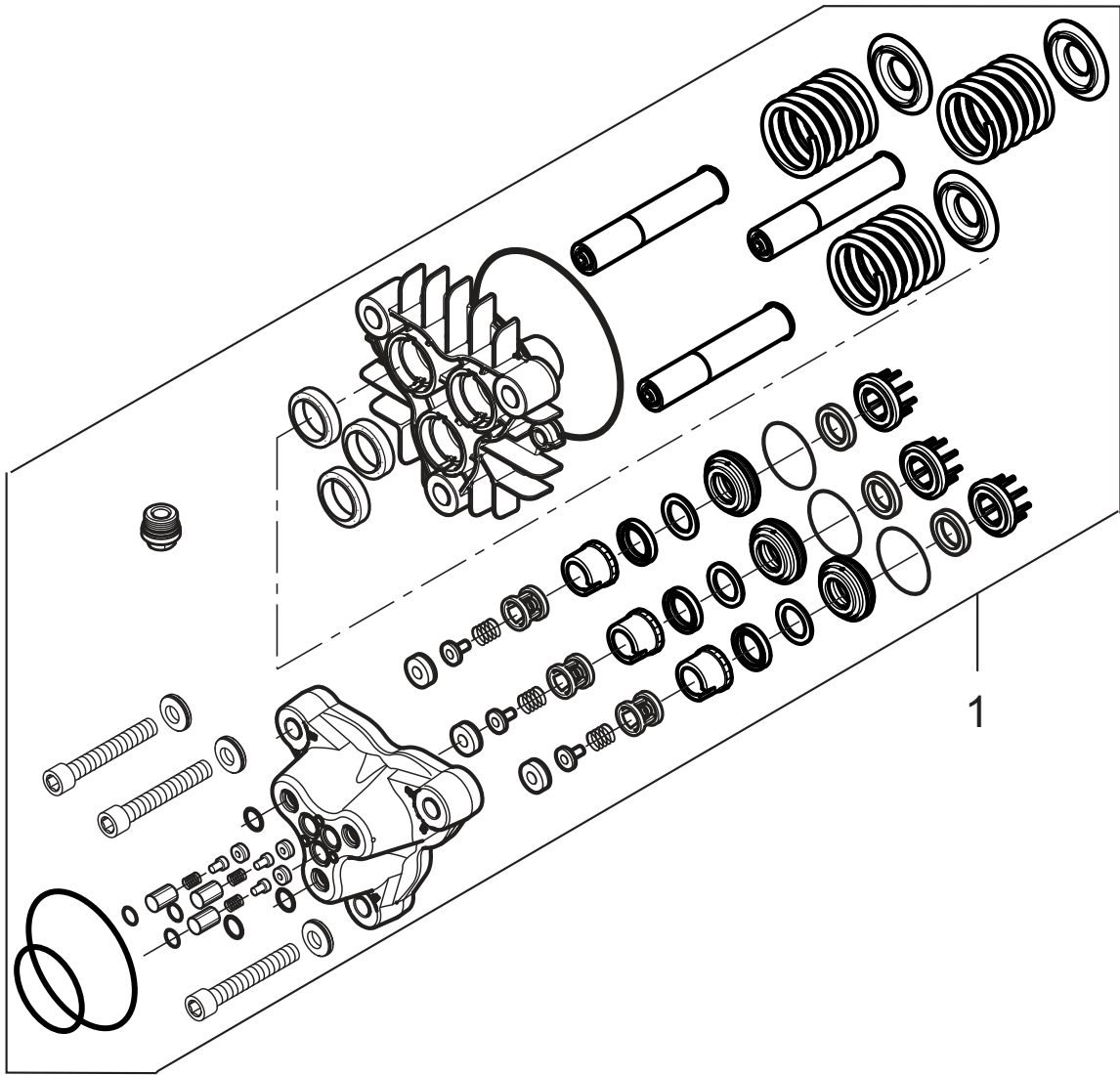


Pos.	Vare-nr	Antal	Beskrivelse	Notes
	101118106	1	HOSE GUIDE BRAKE COMPLETE KIT	
	101118111	1	HOSE GUIDE KIT	
	101118102	1	HOSE REEL HANDLE KIT	
	107141632	1	CABLE HOOK	
	107141668	1	WATER INLET PIPE NA5/NA6	
	107141652	1	MANOMETER TUBE	
	107141679	1	HOSE GUIDE SLEEVE OPEN	
	107141676	1	SWIVEL SCREW FOR HOSE REEL	
	107141663	1	RUBBER GROMMET	
	107141635	1	Flaske til rengøringsmiddel 2,5 L u. låg	
	107141664	1	CAP FOR DETERG. TANK WITH VALVE MOUNTED	
	107141670	1	RUBBER ELBOW NA5/NA6	
	107141667	1	LOCK WASHER	
	107141629	1	HOSE HOOK	
	107141650	1	PLATE FOR MANOMETER	
	107141634	1	REAR END	
	101118103	1	HOSE GUIDE PARTS KIT	
	107141633	1	TERMINAL BLOCK 4Q PE	[1]
	107141648	1	MANOMETER 0-300 BAR - 1/4"	
	107141630	1	LANCE HOLDER NA	
	107141653	1	MANOMETER TUBE FA MODELS	
	101118104	1	SPRING AND LOCK NUT KIT	
	101118101	1	HANDLE KIT	
	107141615	1	RUBBER FOOT	
	107141627	1	SCREW K50X40 T20	
0A	101118080	1	SEAL KIT FOR WATER INLET FOR NA5 FA PA	
0A	107144100	1	Ventil Kit Na5	
0A	101118083	1	SEAL KIT FOR STEM FOR NA5 PA	
0A	101118314	1	PRESSURE BUILD UP VALVE HIGH FLOW KIT	[2]
0A	107144102	1	Oliemanchet Kit - Na5	
0A	101118050	1	SEALING KIT FOR NA6	
0A	3004221	1	O-Ring 16X2	
0A	101118056	1	RETURN VALVE BY-PASS - KIT NA6	[3]
0A	101118055	1	MAGNET AND HOUSE FOR FLOW SWITCH-KIT NA6	
0A	101117926	1	Filter	
0B	101118295	1	BYPASS VALVE REP. KIT NA5.2 PA	
0B	101118294	1	STEM + SEALING REP. KIT NA5/5.2/6/6+ PA	
0B	107144104	1	Fjeder Kit - Na5	
0B	101118239	1	PISTON KIT - NA5.2	
0B	106408216	1	REED SWITCH	
0B	107144112	1	Injektor - Na5	
0C	101118242	1	WOBBLE DISC 10.9 DEG. BEARING KIT NA5.2	
0C	101118247	1	WOBBLE DISC 8.7 DEG. BEARING KIT NA5.2	
0C	101118245	1	WOBBLE DISC 9.15 DEG. BEARING KIT NA5.2	
0C	101118241	1	WOBBLE DISC 12 DEG. BEARING KIT NA5.2	
0C	101118246	1	WOBBLE DISC 8.4 DEG. BEARING KIT NA5.2	
0C	101118249	1	WOBBLE DISC 7.2 DEG. BEARING KIT NA5.2	
0C	101118243	1	WOBBLE DISC 10.2 DEG. BEARING KIT NA5.2	
0C	101118051	1	PLUG FOR UNLOADER VALVE FA - KIT NA6	
0C	301000263	1	Fuse 0,63A/500V/T Ø6 3X32	
0C	301001058	1	Start/stop kontakt	
0C	107142761	1	START RELAY RVA4G0C	
0C	107141957	1	MOTOR 4KW 200/3/50-60HZ JP 5-47 JP	
0C	101118091	1	UNLOADER SPRING REP. KIT-PAINTED NA5 PA	
0C	101118117	1	CONTROL UNIT - KIT NA5	
0C	31000149	1	Leje, Rf	
0C	107141619	1	CAPACITOR 170MF	
0C	103822303	1	Contacter Cjx2-D18-V7 400	
0C	301000402	1	Modstand	

Pos.	Vare-nr	Antal	Beskrivelse	Notes
0C	31000151	1	REAR BEARING EME	
0C	101118089	1	NON RETURN VALVE REP. KIT NA5 PA	
0C	107143182	1	CAPACITOR 70UF 450/500V RP-3	
0C	107141954	1	MOTOR 5.5 KW 220/230-400/440/3/50/60 EU	
0C	101118090	1	MICROSW. ACTIVATION REP. KIT NA5 PA	
0C	107141956	1	MOTOR 2.2 KW/230/1 50HZ	
0C	64773	1	Hjælpekontakt	
0C	101118011	1	End Switch 250V 5A W.Wire Fsh/Fs 6.3 Ki	
0C	103822314	1	CONTACTOR CJX2-D32 32A 230V 3P+NO	
0C	107141953	1	MOTOR 6.7KW 220-440/230-400/3 50/60HZ-EU	
0C	101118078	1	WATER INLET KIT FOR NA5	
0C	63910	1	KONTAKTOR	
0C	1119406	1	Rep. sæt kontraventil	
0C	106408189	1	NUT M8 X 1 FOR UNLOADER VALVE FA	
0C	107141955	1	MOTOR 5.2 KW/220/1 60HZ 5-52 US	
0C	107141967	1	D-BEARING COVER COMPLETE NA5.2	
0C	103822304	1	Contactore Cjx2-D18-P7 230 V	
0C	107141958	1	MOTOR 4KW 230-400/220-440 3/50-60HZ NA5	
0C	107141666	1	PCB POSEIDON 5-6-7	

Part Notes:

- [1] - ECN-1010232
- [2] - TSB-PPW-2020-001 MH 4\_MH 5M Damper Valve removed
- [3] - Spring included: OD8,2 x L9,3 x d0,5





# 101118324 - NA5.2 Pump kit

POSEIDON 5-53 PA / MC 5M 200/1000 PA

2017.11.02

2020.05.04

---

Pos.	Vare-nr	Antal	Beskrivelse	Notes
1	101118324	1	PUMP KIT NA5.2	[1]

Part Notes:

[1] - TSB-PPW-2020-003 NA5 pump THRUST COLLAR changed



Pos.	Vare-nr	Antal	Beskrivelse	Notes
1	106403122	1	Ergo 2000 spulehåndtag m. svivel	[1]
1	106403154	1	Ergo 2000 spulehåndtag uden logo	[2]
2	106403010	1	Tornado Plus dyserør u. dyse 112 cm	[3]
3	101119741	1	Tornado Plus dyse 1/8" 0500 Gul	[4]
3	101119746	1	Tornado Plus dyse 1/8" 0650 Svag grøn	[5]
3	101119742	1	Tornado Plus dyse 1/8" 0530 Rød	[6]
3	101119738	1	Tornado Plus dyse 1/8" 0400 Metalgrå	[7]
3	301150005	1	Tornado Plus dyse 1/8" 0475 Klar blå	[8]
4	106403003	1	TurboHammer Plus dyserør 0500 W12 113 cm	[9]
4	106402291	1	TurboHammer Plus dyserør 0500 W11 113 cm	[10]
4	65437	1	TurboHammer dyse 1/8" 0400 W12 Metalgrå	[7]
5	101405770	1	Højtryksslange 10 m dobbelt-wire DN8	[11]
5	101406175	1	Højtryksslange 15 m dobbelt-wire DN6	[12]
5	301001101	1	Højtryksslange 20 m dobbelt-wire DN8	[13]
5	301001100	1	Højtryksslange 15 m dobbelt-wire DN8	[11]
10	106403142	1	Sandfilter m. beslag	[14]
11	106403165	1	Sandfilter m. RF beslag	[15]
12	106403143	1	Slangerulle kit	[16]
13	101118105	1	Bremse og styre kit til slangerulle	[16]
14	106403145	1	Forhjuls kit	[17]
15	106403144	1	Svømmertank kit	[18]
16	106403160	1	Løftebeslag til kran 1000 kg 50 cm	[19]
17	106403162	1	Rengøringsmiddelstank med sikkerhedslåg	[20]
18	106403166	1	Pumpeolie niveauføler m. sikkerhedsstop	[21]

## Part Notes:

- [1] - ERGO 2000 Spray handle
- [2] - UNITOR
- [3] - TORNADO PLUS lance
- [4] - 5-47 J, 5-53, 5-56
- [5] - 5-52 US
- [6] - 5-62
- [7] - 5-41
- [8] - 5-32
- [9] - 5-32

- TURBOHAMMER PLUS lance
- [10] - 5-53  
TURBOHAMMER PLUS lance
- [11] - HOSES Overview
- [12] - POSEIDON 5-41 PAXT, 5-53 PAXT  
HOSES Overview
- [13] - POSEIDON 5- 62 PAXT  
HOSES Overview
- [14] - SANDFILTER KIT POSEIDON 5-6-7 from September 2012
- [15] - PRUNED-NO REPLACEMENT  
SANDFILTER FOR WBT POSEIDON 5-6-7 from September 2012
- [16] - Hose reel
- [17] - PRUNED-NO REPLACEMENT  
106403145 - Front wheel kit
- [18] - PRUNED-NO REPLACEMENT  
106403144 - WATER BRAKE TANK POSEIDON 5-6-7 from September 2012
- [19] - PRUNED ACCESSORY
- Crane roundsling 1000kg 50cm
- [20] - 106403162 - Detergent tank with safety cap
- [21] - PRUNED-NO REPLACEMENT
- 106403166 - Low pump oil safety function for POSEIDON 5

