

# PARTS LIST

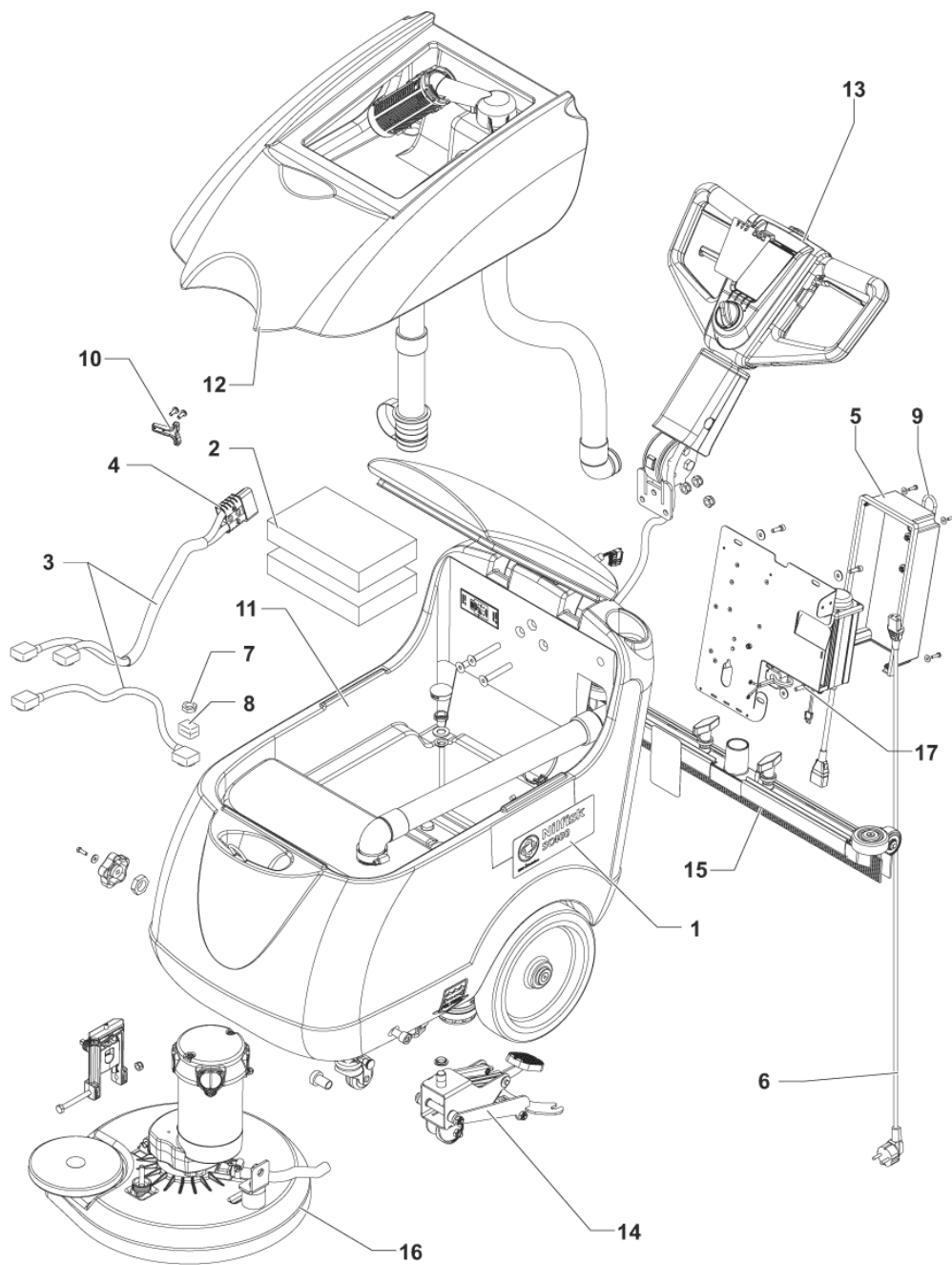


2019.02.13

# TABLE OF CONTENTS

---

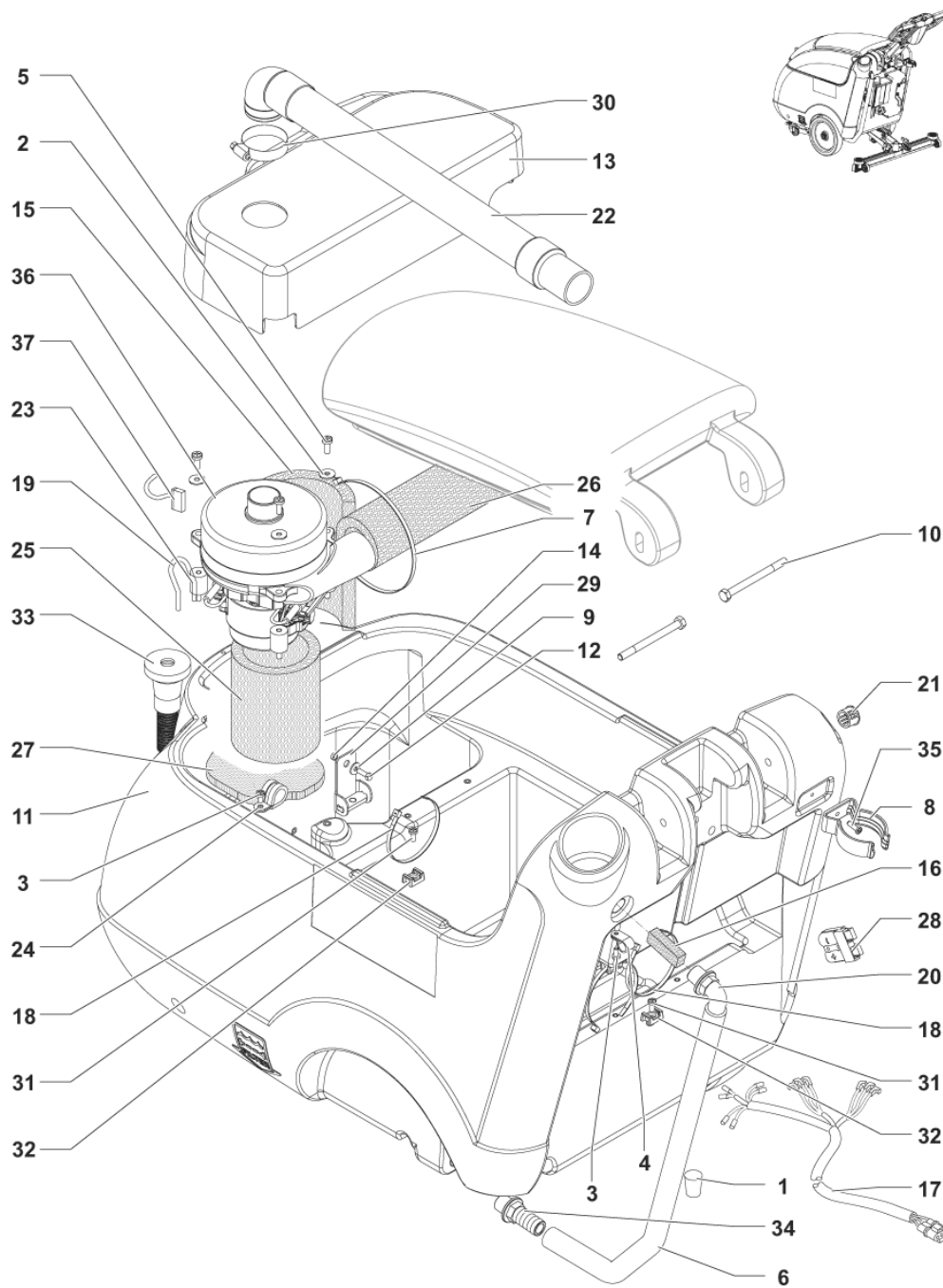
GENERAL SYSTEM .....	1
SOLUTION SYSTEM .....	3
FILTER AND WHEELS SYSTEM .....	5
RECOVERY SYSTEM .....	7
HANDLE SYSTEM .....	9
SQUEEGEE AND LIFT SYSTEM .....	11
BRUSH SYSTEM .....	13
WIRING SYSTEM .....	15
WIRING SYSTEM - 9087325020 .....	17
ACCESSORIES .....	19
RECOMMENDED SPARE PARTS .....	21



Pos.	Vare-nr	Antal	Beskrivelse	Notes
1	9099761000	1	Mærkat "NILFISK SC400"	
2	L08812670	2	RESTRAINT. BATTERY	
3	9100001952	1	HARNESS BATTERY KIT	
4	9100002248	1	CONNECTOR 50A RED SIP	
5	9099762000	1	COVER ELECTRIC BOX KIT	
6	9100000790	1	CABLE EXTENSION EU PLUG L.1000MM PKD	
7	9099757000	1	NUT HEX M8 INSULATING PLASTIC	
8	9099756000	1	FUSE 125A	
9	1466317000	1	SUPPORT CABLE KIT	
10	9100000885	1	HANDLE F BATTERY CONNECTOR SIP	
11		1	Solution system	[1]
12		1	Recovery system	[2]
13		1	Handle system	[3]
14		1	Squeegee and lift sytem	[4]
15		1	Squeegee	[5]
16		1	Brush system	[6]
17		1	Wiring system	[7]
	9099187000	1	CARDBOARD BOX 1120X650X790MM	

## Part Notes:

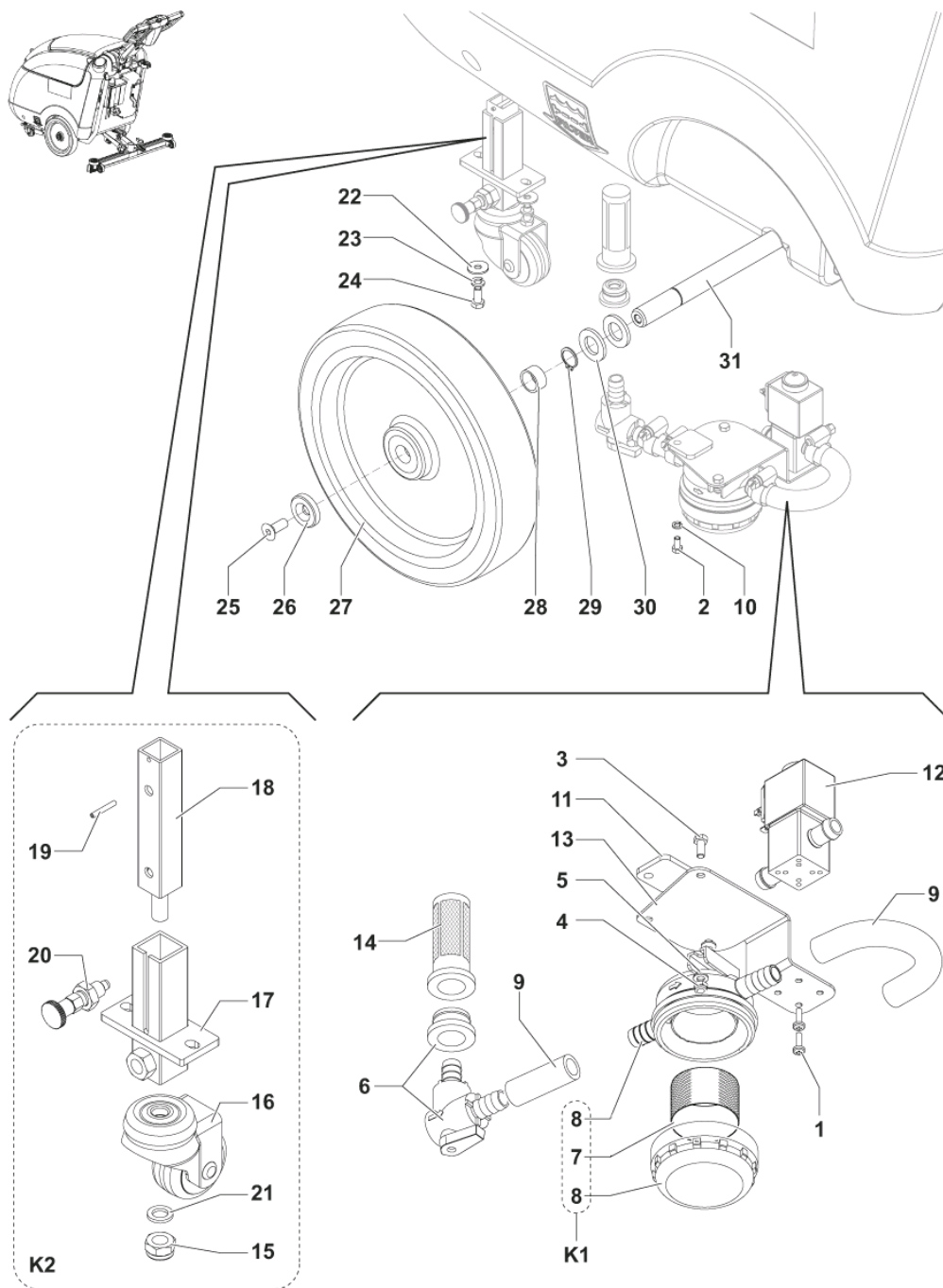
- [1] - Solution system SOLUTION SYSTEM
  - [2] - Recovery system RECOVERY SYSTEM
  - [3] - Handle systemHANDLE SYSTEM
  - [4] - SQUEEGEE AND LIFT SYSTEM
  - [5] - SQUEEGEE
  - [6] - BRUSH SYSTEM
  - [7] - WIRING SYSTEM
- WIRING SYSTEM - 9087325020



Pos.	Vare-nr	Antal	Beskrivelse	Notes
6	9098446000	1	Rentvandsslange	
8	909 6380 000	1	Slangeklemme Kit	
11	9100001944	1	TANK SOLUTION RAL 7016 SIP	
13	9098466000	1	COVER MOTOR	
15	9098801000	1	FILTER SOUND ABSORBENT	
16	9098802000	1	FILTER LEVEL WATER HOSE	
17	9099103000	1	HARNESS MACHINE	
19	9099178000	1	SUPPORT BRUSH	
20	9100001211	1	ELBOW 90 D.20 G1/2 M KIT	
22	909 5579 000	1	Slange	
25	909 5564 000	1	Isolering	
26	909 5565 000	1	Lydisolering F. Sugemotor	
27	9099184000	1	FILTER FOAM MOTOR	
28	9100002248	1	CONNECTOR 50A RED SIP	
29	9099195000	1	SUPPORT ADJUSTING FRONT CPL	
33	9097290000	1	Påfyldningsslange	[1]
34	9100000574	1	BARB HOSE STRAIGHT D.19.8 G1/2 PLAST KIT	
36	9100000959	1	Motor vacuum kit	
37	909 5371 000	2	Kul, Sugemotor 410/343	
K1	9099763000	1	HARDWARE SOLUTION TANK KIT	[2]

## Part Notes:

- [1] - SEE TSB-FC-2016-020  
 [2] - NOT SHOWN (POS.1-2-3-4-5-7-9-10)



# FILTER AND WHEELS SYSTEM

SC400 B NIL

2017.11.02

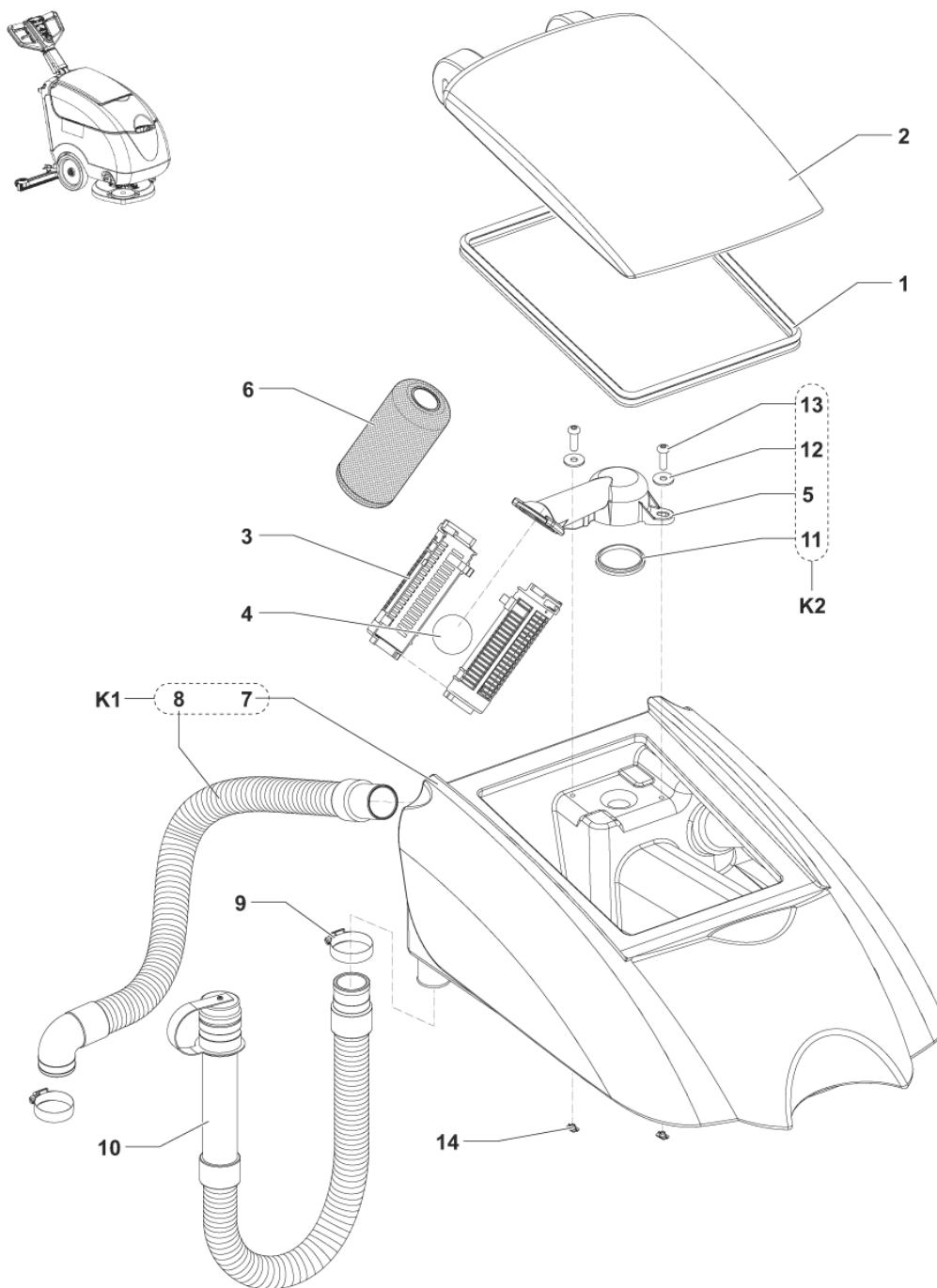
2017.03.08

Pos.	Vare-nr	Antal	Beskrivelse	Notes
6	9097626000	1	Ventil	
7	9100000861	1	NET WATER FILTER REINFORCED PKD	
9	9099778000	1	HOSE SOLUTION FILTER KIT	
11	9099200000	1	SPACER ADHESIVE RUBBER	
12	9100000870	1	Magnetventil 24V PKD	
13	9099179000	1	SUPPORT FILTER AND SOLENOID VALVE	
14	9100001353	1	FILTER SOLUTION TANK PKD	[1]
16	9100000961	1	WHEEL CASTOR D.51 SS GREY PKD	
20	909 5641 000	1	Låsetapp,Hjul	
26	9100002136	1	WASHER COUNTERSUNK 9X30 H.6 - 2 PCS SET	
27	9099410000	2	Wheel D.250X50 Grey	
K1	9100000860	1	FILTER WATER PKD	[2]
K2	9099705000	1	NÆSEHJUL KIT BA 410	[3]
K3	9099765000	1	HARDWARE WHEELS SHAFT KIT	[4]
K4	9099766000	1	HARDWARE FILTER AND SUPPORT KIT	[5]

**Part Notes:**

- [1] - OPTION
- [2] - (POS.7-8)
- [3] - (POS.15-16-17-18-19-20-21)
- [4] - NOT SHOWN (POS.25-26-28-29-30-31)
- [5] - NOT SHOWN (POS.1-2-3-4-5-10-22-23-24)

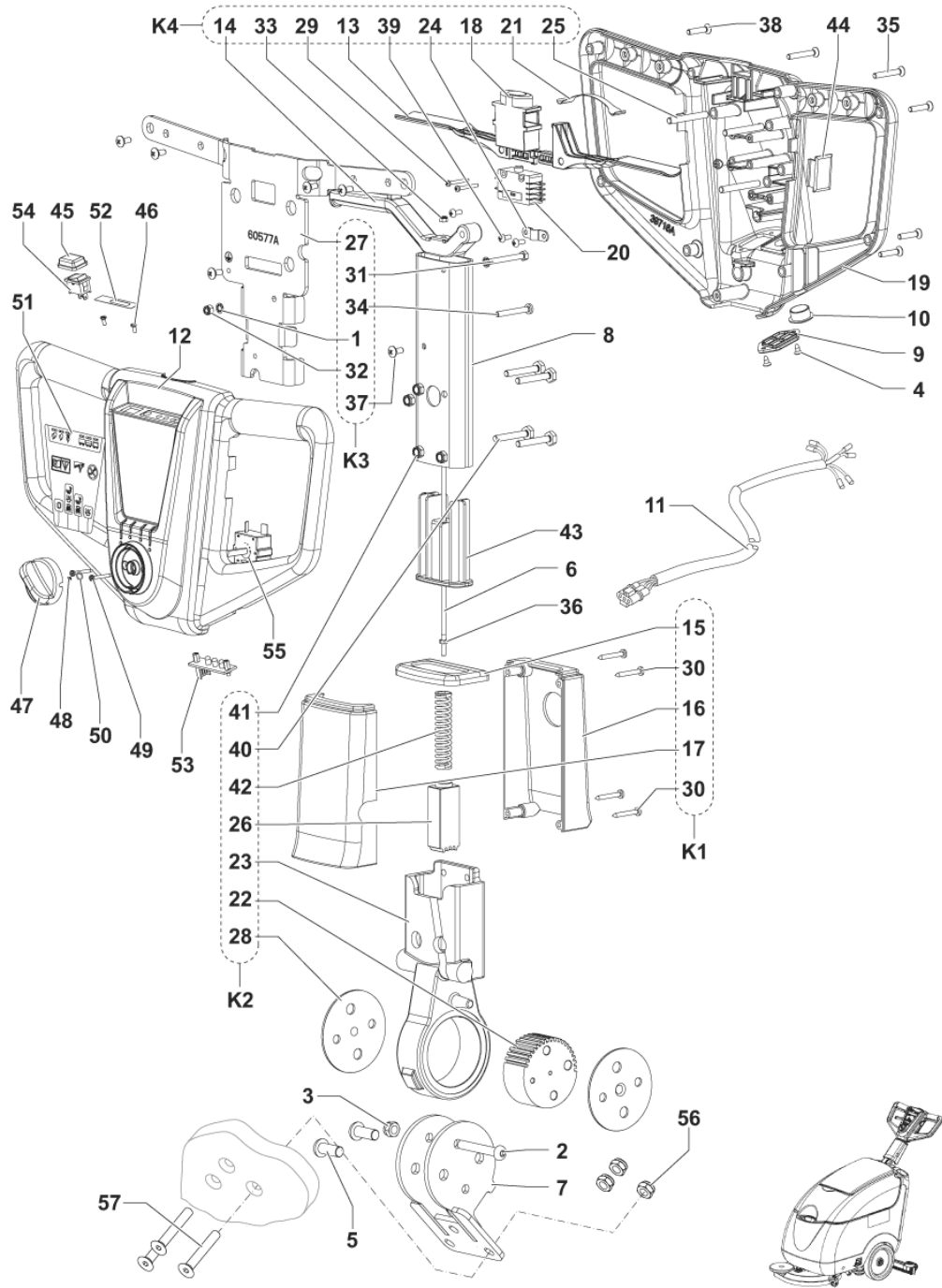




Pos.	Vare-nr	Antal	Beskrivelse	Notes
1	909 5716 000	1	Pakning til låg. Længde 1250mm	
2	9100001948	1	COVER PLAST. GREY F TANK 21L SIP	
3	9100000818	1	CAGE FLOAT HALF 2 PCS SET	
7	9100000817	1	BALL FLOATING PKD	
6	909 5065 000	1	Anti-skumfilter	[1]
8	9100001947	1	HOSE SUCTION SQUE..850MM 90 BLACK PKD	
9	9100001348	1	CLAMP HOSE 32-52/12 10 PCS SET	
10	9099692000	1	AFTAPNINGSSSLANGE SORT PKD	
K1	909 6061 000	1	Tank Recovery Kit	[2]
K2	9100001875	1	SUPPORT FLOAT KIT	[3]

## Part Notes:

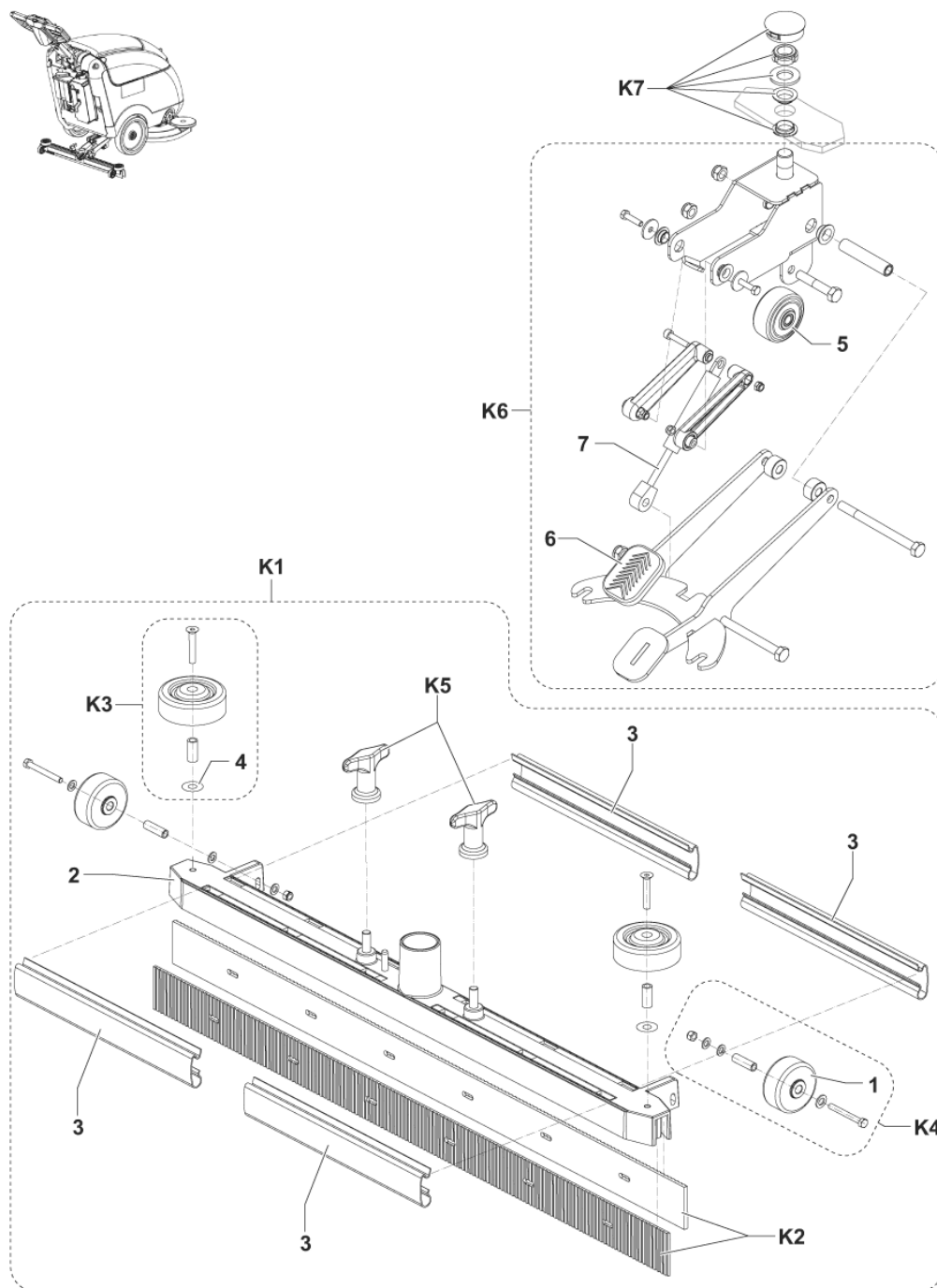
- [1] - OPTION
- [2] - (POS.7-8)
- [3] - (POS.5-11-12-13-14)



Pos.	Vare-nr	Antal	Beskrivelse	Notes
00	9098807000	1	HANDLE BAR COMPLETE	[1]
6	9098805000	1	ROD HANDLE ADJUSTING	
7	9098806000	1	Support Handle	
8	9098808000	1	TUBE HANDLE	
9	9098812000	1	CAP FOR HANDLE	
10	9098813000	1	CAP D.18.5/D.24MM BLACK	
11	9099054000	2	CABLE HANDLE BAR	
12	9100000101	1	COVERS HANDLE GREY KIT	
19	9100000101	1	COVERS HANDLE GREY KIT	
20	40263A	1	Kontakt	
36	VV13609	1	NUT M4	
43	VF47033	1	RETAINER	
44	VF54041	1	HANDLE PLUG	
45	L08603154	1	Beskyttelsehætte Ca340 F/Vanddoseringsk	
47	9097283000	1	KNOB CONTROL FUNCTIONS	
51	9099056000	1	DECAL CONTROL PANEL	
52	9098616000	1	DECAL BATTERY LED	[2]
53	9099053000	1	CARD TWO-COLOURED LED	
54	9099107000	1	SWITCH SINGLE-POLE MOMENTARY	
55	9099332000	1	SWITCH ROTATIVE 4 POSITIONS	
K1	11271A	1	REAR AND FRONT COVER KIT	[3]
K2	11272A	1	LOWER HOUSING KIT	[4]
K3	11273A	1	HANDLE SUPPORT KIT	[5]
K4	11274A	1	Udløserkit til håndtag	[6]
K5	9099768000	1	HARDWARE HANDLE BAR KIT	[7]

## Part Notes:

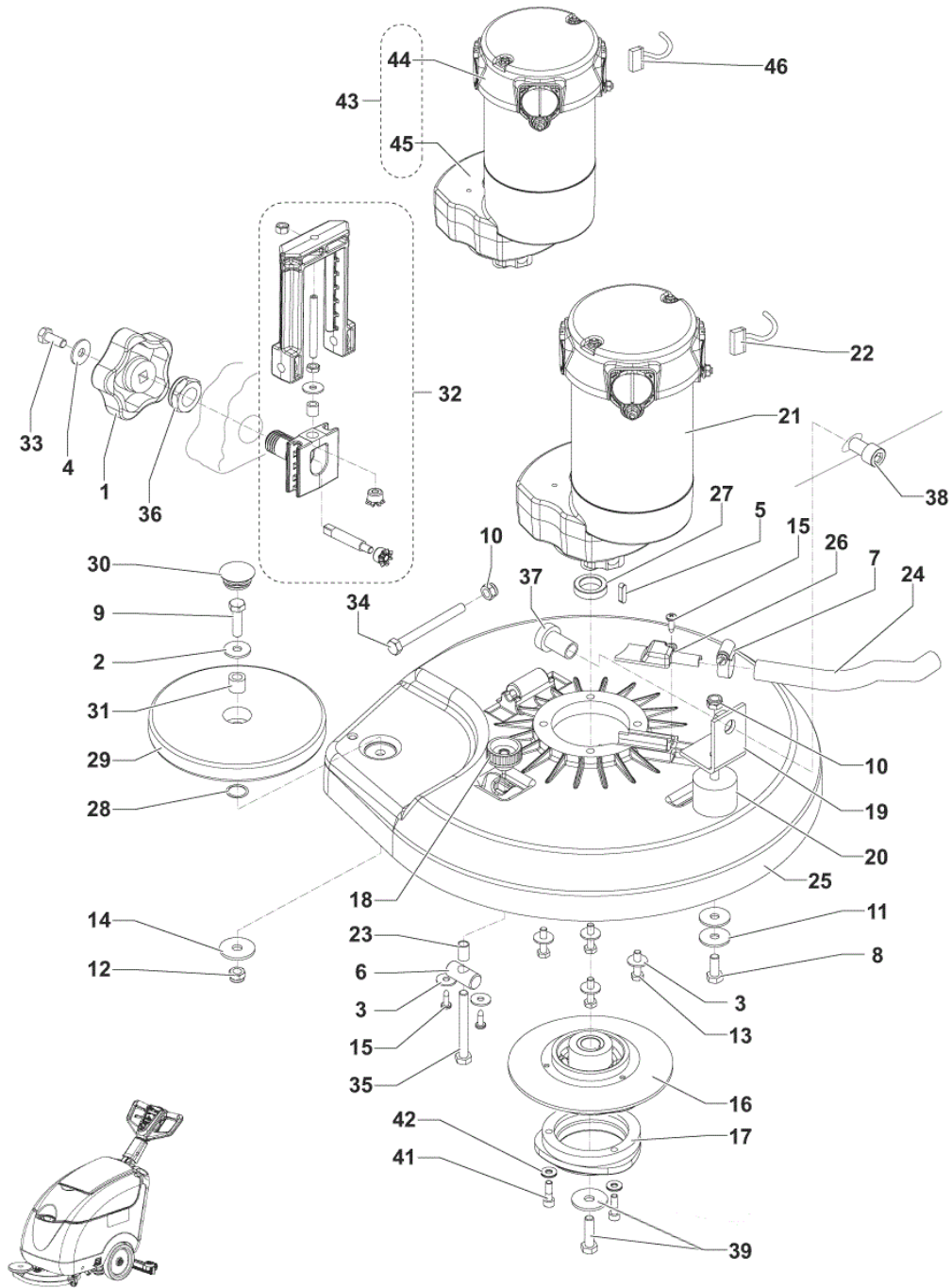
- [1] - complete handle, all positions on drawing
- [2] - STOCK COVERS GUARANTEE
- [3] - (POS.15-16-17-30)
- [4] - (POS.22-23-26-28-40-41-42)
- [5] - (POS.1-27-31-32-34-37)
- [6] - (POS.13-14-18-21-24-25-29-33-39)
- [7] - NOT SHOWN (POS.2-3-4-5-35-38-46-48-49-50-56-57)



Pos.	Vare-nr	Antal	Beskrivelse	Notes
1	9100000559	2	WHEEL D.51 GREY PKD	
2	909 5554 000	1	Sugefodsenshed	
3	9100001661	2	Sugegummi-skinne - sæt 2 stk.	
4	L08603689	2	WASHER 6X18X1.5 UNI6593 SS	
5	9100000556	1	WHEEL D.50 PKD	
6	9099106000	1	COVER PEDAL	
7	909 5637 000	1	Gas Fjeder	
K1	909 5702 000	1	Sugefod Kompl. BA/CA 410	[1]
K2	9097354000	1	Sugegummi kit polyurethan 28" 720 mm	
K3	L08603880	1	Stødhjulskit, Sugefod	[2]
K4	909 5703 000	1	Hjul T/Sugelæbekit BA/CA 410	[3]
K5	9097637000	1	Monteringskrue (2 Stk)	
K6	9099769000	1	SUPPORT SQUEEGEE LIFT KIT	[4]
K7	9099770000	1	FIXING SUPPORT SQUEEGEE KIT	

## Part Notes:

- [1] - (POS.K1-K2-K3-K4-K5-2-3)
- [2] - (POS.4)
- [3] - (POS.1)
- [4] - (POS.5-6-7)

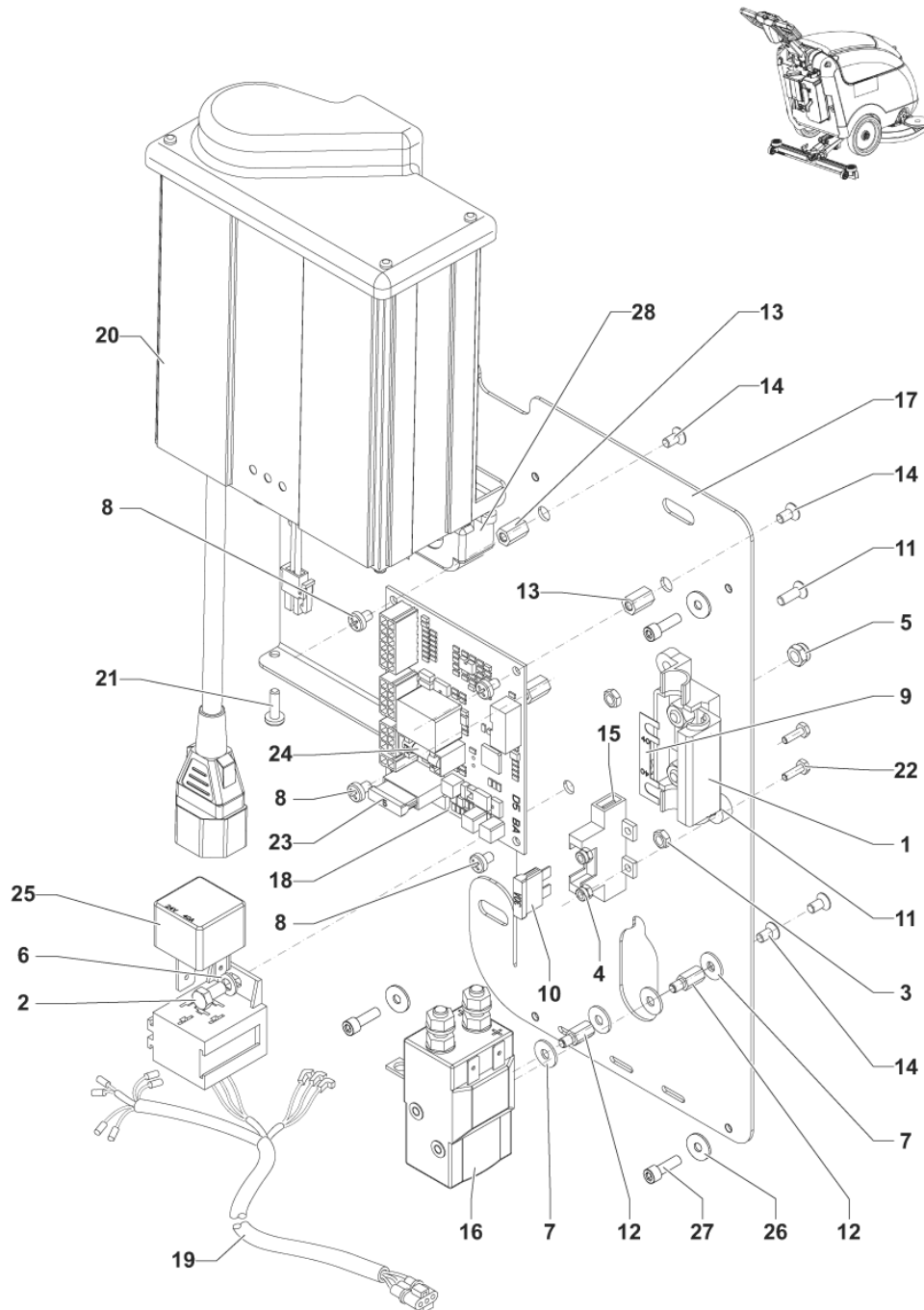


Pos.	Vare-nr	Antal	Beskrivelse	Notes
1	9098465000	1	HANDLE LOBE SQUARE HOLE	
5	1466147000	1	KEY 5X5X20 UNI6604A PKD	
16	L08812306	1	Polyg. Flange Ba450/530	
17	L08812480	1	Polyg. Holder Ba450/530	
18	909 5964 000	1	Knob M8	
19	9099356000	1	BRACKET DECK SUPPORT	
20	9100000868	1	VIBRATION DAMPING M8 60SH 2 PCS SET	
21	9098308000	1	Gearmotor 450W 24V	
22	9098376000	1	CARBON BRUSHES KIT 4 PCS	
24	9099779000	1	HOSE BRUSH DECK KIT	
25	9099093000	1	DECK BRUSH	
26	9100000869	1	COVER F SOLUTION HOSE SUPPORT PLAST. SIP	
29	L08812204	1	Bumper Rollers Ba450/530	
32	9099771000	1	Justeringskit til børste	
39	9100001269	1	HARDWARE HUB BRUSH KIT	
43	9099805000	1	Gearmotor 520W 24V	[1]
44	9097114000	1	Motor Electric 520W 24V	
45	9099851000	1	REDUCTION GEAR	
46	909 6893 000	1	Carbon Brush Kit -4Pcs-	
K1	9099772000	1	HARDWARE BRUSH SYSTEM KIT	[2]

## Part Notes:

- [1] - OPTION  
 [2] - NOT SHOWN (POS.2-3-4-6-7-8-9-10-11-12-13-14-15-23-27-28-30-31-33-34-35-36-37-38-41-42)

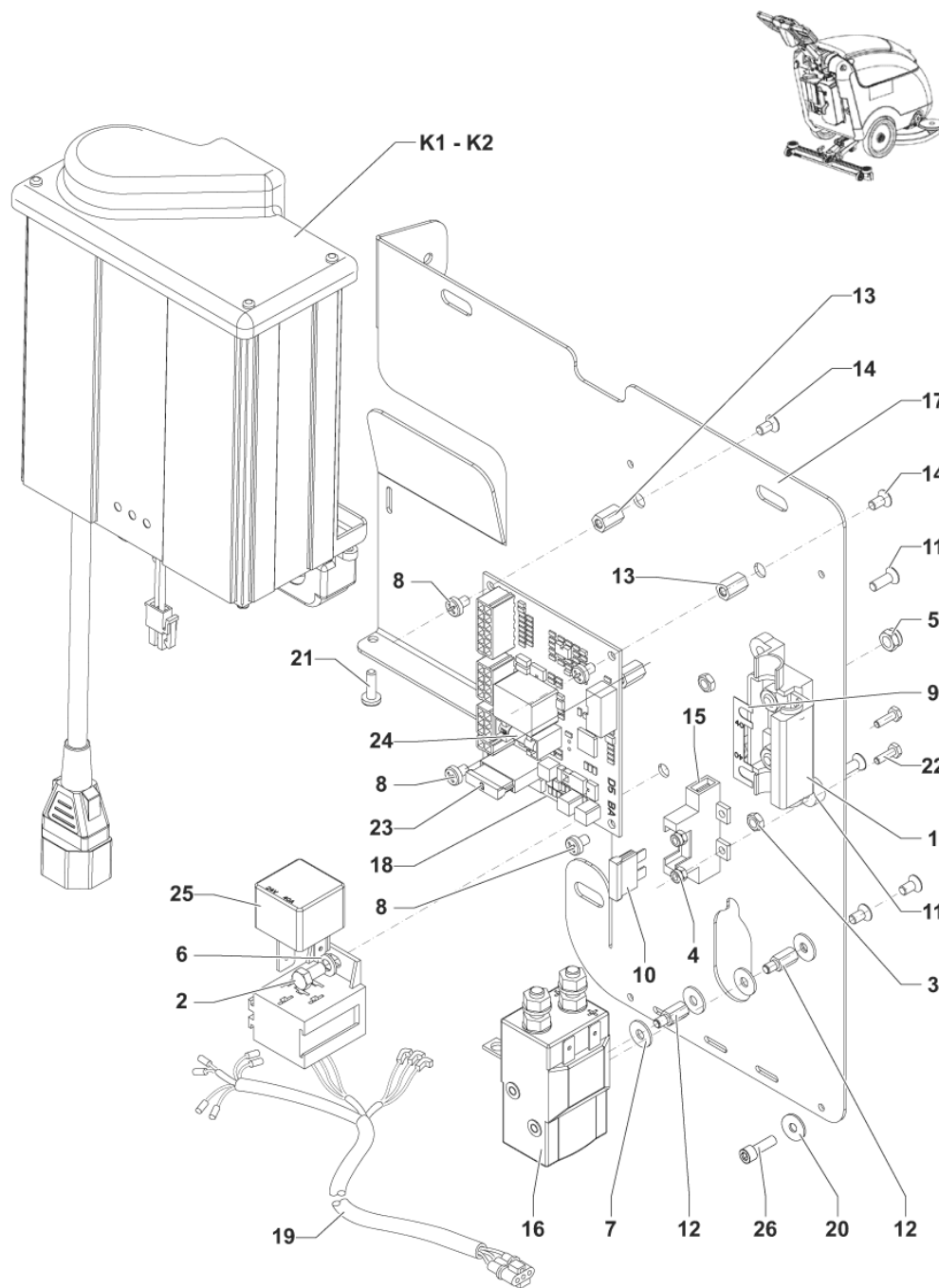




Pos.	Vare-nr	Antal	Beskrivelse	Notes
1	145 8046 000	1	Säkeringshållare	
9	145 3824 000	1	Sikring 40A,Bladsikring	
10	145 8513 000	1	Sikring 30A	
15	1467035000	1	HOLDER FUSE THERMOPL.UL 94-V0 SIP	
16	9097209000	1	Switch Electromagnetic 24V	
17	9100001080	1	PLATE ELECTRIC COMPONENTS SIP	
18	9100000184	1	CARD ELECTRONIC FUNCTIONS KIT	
19	9099104000	1	HARNESSE ELECTRIC COMP. BOX	
20	9100000290	1	Indbygget oplader kit	
23	145 9852 000	1	Sikring 5A	
24	909 6678 000	1	FUSE 20A GLASS DELAYED	
25	909 6622 000	1	Relæ 24V 40A	
28	9099387000	1	FERRITE	[1]
K1	9099773000	1	HARDWARE WIRING SYSTEM KIT	

## Part Notes:

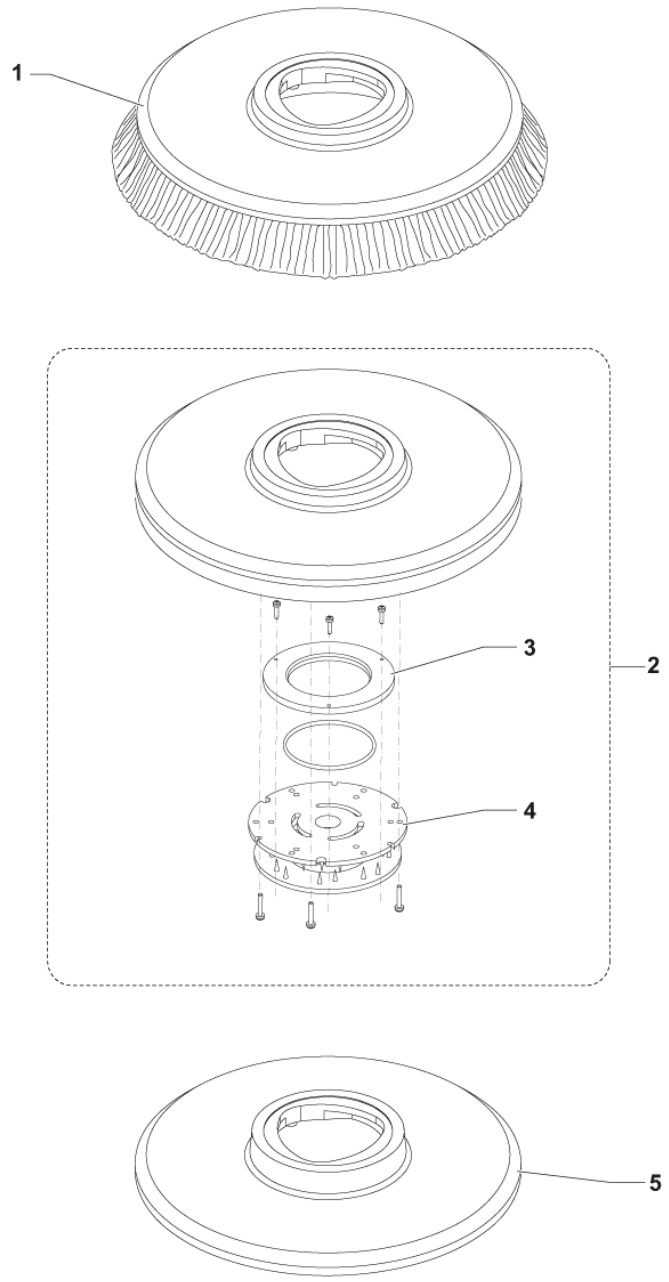
[1] - COMPLEXITY REDUCTION



Pos.	Vare-nr	Antal	Beskrivelse	Notes
1	145 8046 000	1	Säkeringshållare	
9	145 3824 000	1	Sikring 40A,Bladsikring	
10	145 8513 000	1	Sikring 30A	
15	1467035000	1	HOLDER FUSE THERMOPL.UL 94-V0 SIP	
16	9097209000	1	Switch Electromagnetic 24V	
17	9100001080	1	PLATE ELECTRIC COMPONENTS SIP	
18	9100000184	1	CARD ELECTRONIC FUNCTIONS KIT	
19	9099104000	1	HARNESSE ELECTRIC COMP. BOX	
23	145 9852 000	1	Sikring 5A	
24	909 6678 000	1	FUSE 20A GLASS DELAYED	
25	909 6622 000	1	Relæ 24V 40A	
K1	9100000290	1	Indbygget oplader kit	[1]
28	9100000790	1	CABLE EXTENSION EU PLUG L.1000MM PKD	[2]
29	9099387000	1	FERRITE	[3]
K2	9100000291	1	CHARGER BATT. O/B 24V 8A 100-230V JP KIT	[4]
29	9099387000	1	FERRITE	[5]
K3	9099773000	1	HARDWARE WIRING SYSTEM KIT	[6]

## Part Notes:

- [1] - OPTION - INST. INSTR. 9100000288
- [2] - INCLUDED ON POS. K1 - NOT SHOWN
- [3] - COMPLEXITY REDUCTION  
INCLUDED ON POS. K1 - NOT SHOWN
- [4] - OPTION - INST. INSTR. 9100000289
- [5] - COMPLEXITY REDUCTION  
INCLUDED ON POS. K2 - NOT SHOWN
- [6] - NOT SHOWN - POS. 1-2-3-4-5-6-7-8-11-12-13-14-20-21-22-26



Pos.	Vare-nr	Antal	Beskrivelse	Notes
1	909 5694 000	1	Børste naturhår 17" Ø430 mm	
1	L08812891	1	Børste Prolene 17" Ø430 mm	
1	909 5692 000	1	Børste Mid Grit 180 17" Ø430 mm	
1	909 5691 000	1	Børste Midlite Grit 240 17" Ø430 mm	
1	909 5693 000	1	Børste Prolite 17" Ø430 mm	
2	9100001897	1	Rondelholder 17" Ø430 mm	[1]
3	L08603966	1	Ring Nylon	
4	L08603965	1	O-RING 2.62X82.22 -3325-NBR 40SH	
4	56505195	1	Rondellås Lynkobling	
5	9100002050	1	Rondelholder 17" Ø432 mm Velcro	[1]
6	10001936	1	Eco Pad hvid 17" Ø432 mm (5 stk.)	[2]
6	10002336	1	Eco Brilliance Pad rød 17" Ø430 (2 stk)	[2]
6	10001938	1	Eco Pad sort 17" Ø432 mm (5 stk.)	[2]
6	10001940	1	Eco Pad grøn 17" Ø432 mm (5 stk.)	[2]
6	10002338	1	Eco Brilliance Pad gul 17" Ø430 (2 stk)	[2]
6	10001939	1	Eco Pad blå 17" Ø432 mm (5 stk.)	[2]
6	10001937	1	Eco Pad lys brun 17" Ø432 mm (5 stk.)	[2]
6	10001941	1	Eco Pad rød 17" Ø432 mm (5 stk.)	[2]
6	10002339	1	Eco Brilliance Pad grøn 17" Ø430 (2stk)	[2]
6	10002337	1	Eco Brilliance Pad blå 17" Ø430 (2 stk)	[2]
7	80542432	1	Oplader HF 24V 30A til AGM spiralcelle	[2]
8	1466318000	1	CABLE EXTENSION UK PLUG L.2000MM SIP	[2]
9	80561268	1	Batteri 12V 68A AGM spiralcelle	[2]
9	80561252	1	Batteri 12V 52A AGM spiralcelle	[2]
9	80564310	1	Batteri 12V 76A GEL monoblok	[2]

## Part Notes:

- [1] - See TSB-FC-2016-012  
 [2] - NOT SHOWN



# RECOMMENDED SPARE PARTS

SC400 B NIL

2017.11.02

2017.01.10

Pos.	Vare-nr	Antal	Beskrivelse	Notes
00	9098446000	1	Rentvandslange	[1]
00	9097626000	1	Ventil	[1]
00	40263A	1	Kontakt	[1]
00	909 5716 000	1	Pakning til låg. Længde 1250mm	[2]
00	909 5703 000	1	Hjul T/Sugelæbekit BA/CA 410	[1]
00	L08812891	1	Børste Prolene 17" Ø430 mm	[3]
00	9100001661	2	Sugegummi-skinne - sæt 2 stk.	[1]
00	9099705000	1	NÆSEHJUL KIT BA 410	[1]
00	909 5371 000	2	Kul, Sugemotor 410/343	[2]
00	145 3824 000	1	Sikring 40A,Bladsikring	[1]
00	145 8513 000	1	Sikring 30A	[1]
00	9100000559	1	WHEEL D.51 GREY PKD	[2]
00	9100000868	1	VIBRATION DAMPING M8 60SH 2 PCS SET	[2]
00	L08812480	1	Polyg. Holder Ba450/530	[1]
00	9099757000	1	NUT HEX M8 INSULATING PLASTIC	[1]
00	L08603880	1	Stødhjulskit, Sugefod	[2]
00	9098308000	1	Gearmotor 450W 24V	[1]
00	9100001348	2	CLAMP HOSE 32-52/12 10 PCS SET	[1]
00	9099332000	1	SWITCH ROTATIVE 4 POSITIONS	[1]
00	9099107000	1	SWITCH SINGLE-POLE MOMENTARY	[1]
00	9097209000	1	Switch Electromagnetic 24V	[1]
00	9100000870	1	Magnetventil 24V PKD	[1]
00	9100000184	1	CARD ELECTRONIC FUNCTIONS KIT	[1]
00	9100000959	1	Motor vacuum kit	[2]
00	909 5637 000	1	Gas Fjeder	[1]
00	9097354000	1	Sugegummi kit polyurethan 28" 720 mm	[1]
00	9099771000	1	Justeringskit til børste	[1]
00	909 5554 000	1	Sugefodsenhed	[1]
00	9100000860	1	FILTER WATER PKD	[2]
00	909 6380 000	1	Slangeklemme Kit	[1]
00	9100000290	1	Indbygget oplader kit	[1]
00	9098376000	1	CARBON BRUSHES KIT 4 PCS	[2]
00	9099106000	1	COVER PEDAL	[2]
00	9100001947	1	HOSE SUCTION SQUE..850MM 90 BLACK PKD	[2]
00	9099104000	1	HARNES ELECTRIC COMP. BOX	[1]
00	9099756000	1	FUSE 125A	[1]

## Part Notes:

- [1] - E O M
- [2] - O M
- [3] - N W



