

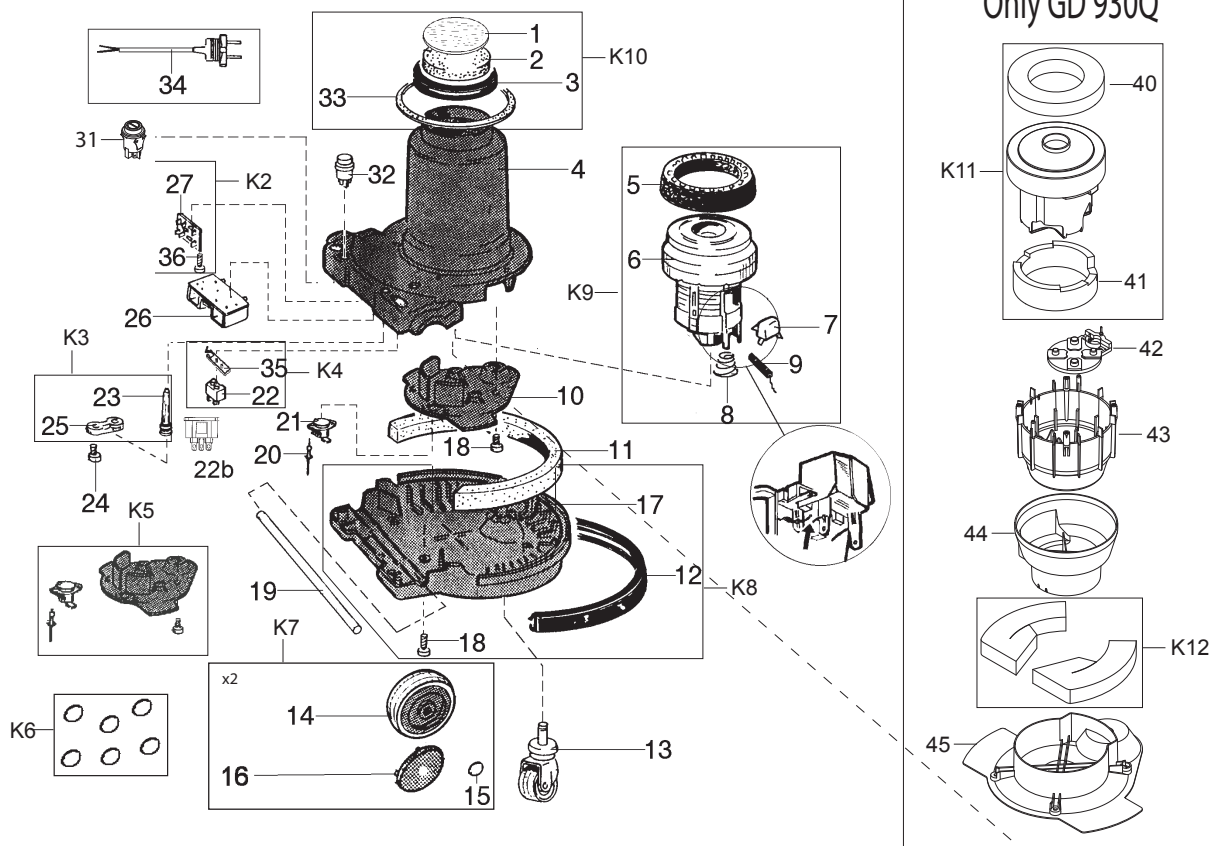
PARTS LIST



2017.08.01

TABLE OF CONTENTS

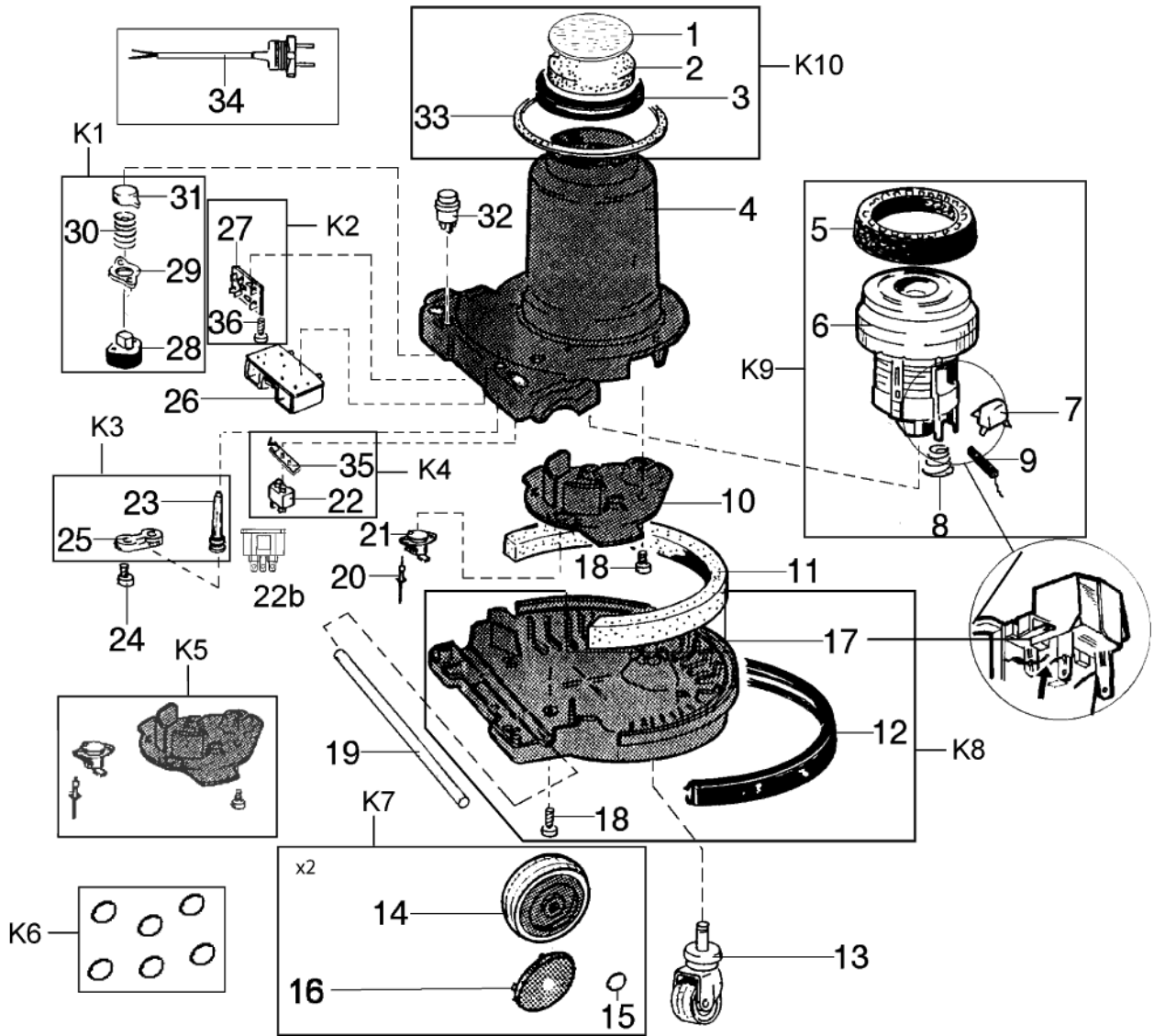
Lower parts after serial no. (12.2012).....	1
Nederste dele.....	4
Beholder og filtre.....	7
Slange og rør.....	9
Mundstykker Ø 32 mm.....	11
Elektromundstykke splittegning.....	13
Anbefalede reservedele.....	15
Ledningsdiagram.....	17



Pos.	Vare-nr	Antal	Beskrivelse	Notes
00	107412603		BOX GD 930 10X	[1]
1		1	Part of kit K10	[2]
2	140 1535 510	1	Motorfilter (3 stk.)	
3		1	Part of kit K10	[2]
4	107413587	1	STAND BLACK ON-OFF ONLY W POWER OUTLET	[3]
4	107413588	1	STAND BLACK DUAL SPEED W POWER OUTLET	
4	107413589	1	STAND BLACK ON-OFF ONLY W POWEROUTLET US	[4]
5	140 7901 000	1	SUSPENSION RING	
6		1	Part of kit K9	[5]
7	140 8166 010	1	Kondensator, Støj Gd930	
8	140 7016 000	1	SPRING	
9	140 7719 000	1	Carbon Brush F. 230/240V	
10		1	Part of kit K5	[6]
11	140 7022 500	1	Pakning GD930	
12		1	Part of kit K8	[7]
13	140 7025 500	1	Hjul 50 Mm GD930S	
14		1	Part of kit K7	[8]
15		1	Part of kit K7	[8]
16		1	Part of kit K7	[8]
17		1	Part of kit K8	[7]
18	140 9214 070	3	Skrue Ptk Torx 50X14 Fzb	
19	140 5059 000	1	Aksel GD930	
20	140 5694 000	1	RIVET	
21	140 3894 500	1	Termosikring Kit	
22	010 9678 500	1	Outlet Electrical 230V 930-Series	
23		1	Part of kit K3	[9]
24	140 9214 040	2	Skrue Torx 40X14 Fzb	
25	056 1014 060	1	ANTI-STRAIN CLIP BLACK	
26	140 7026 500	1	2S Circuit Board 220-240V	
31	107408927	1	Afbryder til GD 930 - NY, sort,4 stikben	
32	140 7023 500	1	Afbryder,2 Hastigh.930 S2,sort,2 stikben	
33		1	Part of kit K10	[2]
34	140 6423 500	1	Kabel Eu L=15M Black	
34	107407565	1	Elkabel 15 m orange	[10]
35	010 9678 500	1	Outlet Electrical 230V 930-Series	
36	140 7027 010	1	Pt-Skruv Wn 1451++	[11]
40	107410498	1	TURBINE DAMPER	
41	107410499	1	SOUND ABSORBER	
42	107410500	1	MOTOR DAMPER	
43	107410501	1	INNER AIRGUIDE	
44	107410502	1	INNER AIRGUIDE 2	
45	107410503	1	BASEPLATE GD930Q	
K2	140 7024 500	1	Print, Anti Statisk	
K3	140 7035 500	1	Tyille Kit GD930S	
K4	140 7665 500	1	OUTLET ELECT.15A 250V	
K5	140 7012 500	1	Motorgavl GD930 Incl. Thermo Sikring	
K6	140 5058 500	1	Låseskive GD 930	
K7	140 5055 500	1	Hjul Bag Kompl. GD930S	
K8	107408930	1	BOTTOM PLATE 2-POLE SWITCH BLACK	
K9	140 7902 500	1	Sugemotor GD930S/S2 1000W	
K9	140 7902 510	1	Fan Unit Kit 110-120V	[4]
K9	140 7902 530	1	Fan Unit Kit Domel 100V	[12]
K10	140 1535 500	1	Filter+Pakninger GD930	
K11	107410504	1	Motor 220-240v kit 800W	[13]
K11	107410505	1	TURBINE 120V KIT	[4]
K11	107410506	1	TURBINE 100V KIT	[12]
K12	107410507	1	EXHAUST FOAM	

Part Notes:

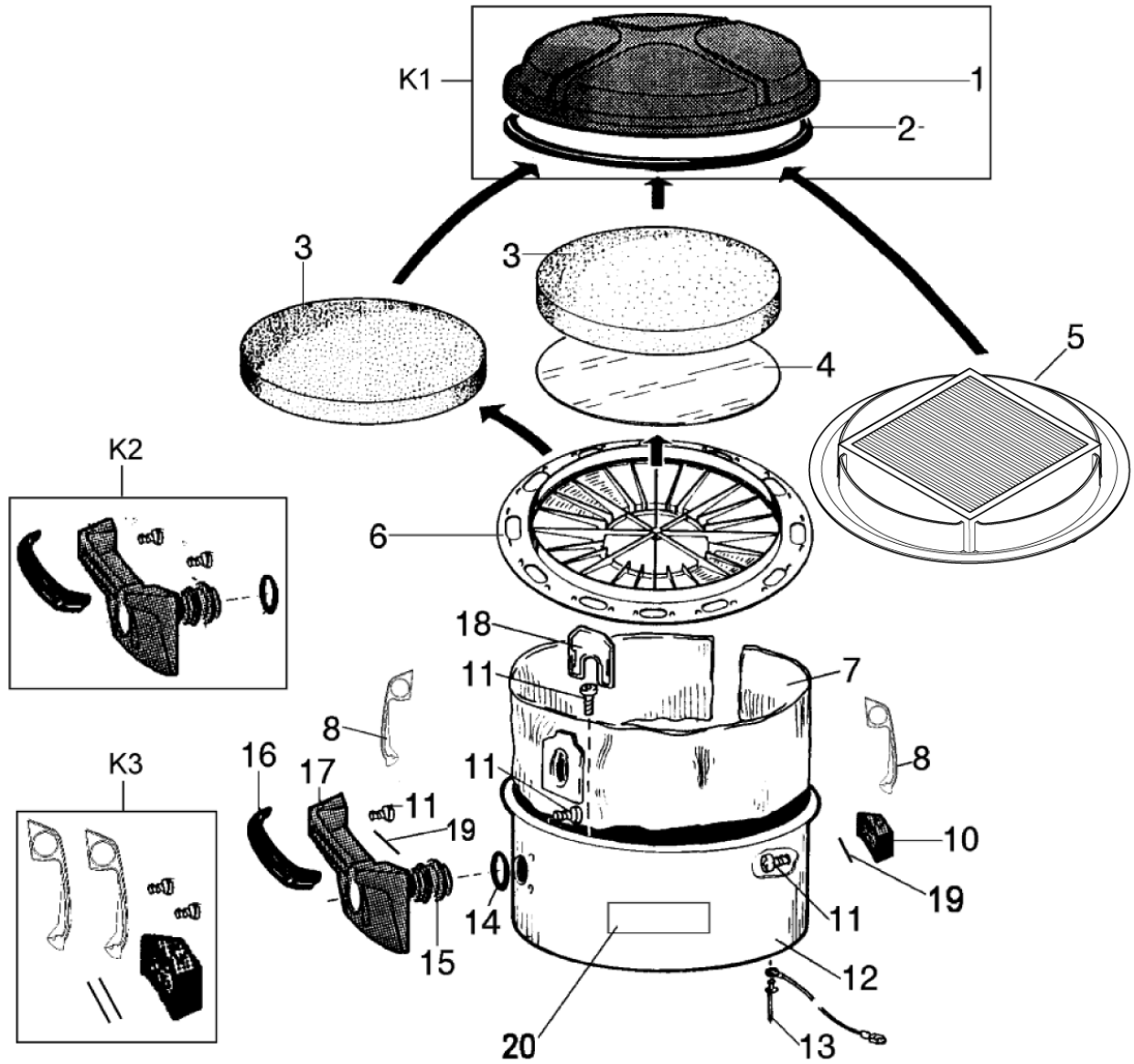
- [1] - Neutral Box kit containing 10 pcs
- [2] - part of kit K10
- [3] - To be used on dark/light grey versions also
- [4] - US
- [5] - part of kit K9
- [6] - part of kit K5
- [7] - part of kit K8
- [8] - part of kit K7
- [9] - part of kit K3
- [10] - Nordic
- [11] - STOCK COVERS GUARANTEE
- [12] - JP
- [13] - EU, UK, AUS/NZ, CN



Pos.	Vare-nr	Antal	Beskrivelse	Notes
00	140 7031 010	1	CARTON UZ 930S WHITE	[1]
2	140 1535 510	1	Motorfilter (3 stk.)	
4	140 7010 500	1	Motorhus GD930S Black	
4	140 7010 080	1	STAND UL-LISTED	
4	140 7010 530	1	STAND BASIC	
4	140 7010 540	1	STAND S2 W SQUARE HOLE E-NOZZLE	
4	140 7010 510	1	Stand Gd 930S2/Uz 930S2 Black For S2 - T	
5	140 7901 000	1	SUSPENSION RING	
6		1	Part of kit K9	[2]
7	140 8166 010	1	Kondensator, Støj Gd930	
8	140 7016 000	1	SPRING	
9	140 7719 000	1	Carbon Brush F. 230/240V	
9	140 7720 000	1	Kul For 110W Motor, GD930	
9	001 8619 110	1	Kulbørste	
11	140 7022 500	1	Pakning GD930	
13	140 7025 500	1	Hjul 50 Mm GD930S	
18	140 9214 070	3	Skrue Ptk Torx 50X14 Fzb	
19	140 5059 000	1	Aksel GD930	
20	140 5694 000	1	RIVET	
21	140 3894 500	1	Termosikring Kit	
22	010 9678 500	1	Outlet Electrical 230V 930-Series	
22b	140 7665 500	1	OUTLET ELECT. 15A 250V	[3]
23	093 1027 010	1	Brytskydd Rakt Sv Usa/Sch	
24	140 9214 040	2	Skrue Torx 40X14 Fzb	
25	056 1014 060	1	ANTI-STRAIN CLIP BLACK	
26	140 7026 500	1	2S Circuit Board 220-240V	
26	140 7026 500	1	2S Circuit Board 220-240V	
26	140 7026 510	1	2S CIRCUIT BOARD 110-120V KIT	
31	140 7805 000	1	Afbryderknap GD930	[4]
32	140 7023 500	1	Afbryder, 2 Hastigh. 930 S2, sort, 2 stikben	
34	140 6423 560	1	CORD US L 10M GROUNDED	
34	140 6423 540	1	CORD UK L 10M	
34	140 6423 580	1	CORD AU L 15.5M	
34	140 6423 510	1	Ledning Uz934 10M	
34	140 6423 530	1	CORD UK L 15M	
34	107407565	1	Elkabel 15 m orange	[5]
34	140 6423 570	1	CORD JP L 15M	
34	107401390	1	CORD SET CN 15.5M - KIT	
34	140 6423 550	1	CORD US PLUG L 15M	
34	140 6423 500	1	Kabel Eu L=15M Black	
34	140 3859 020	1	CORD SET	[6]
34	140 6423 520	1	Cord Kit Ch L 15M Packed In A Plastic Ba	[7]
35	010 9678 500	1	Outlet Electrical 230V 930-Series	
K1	140 7033 500	1	Afbryder GD 930S Kompl., grå, 3 stikben	
K2	140 7024 500	1	Print, Anti Statisk	
K3	140 7035 500	1	Tyille Kit GD930S	
K3	140 7035 510	1	Protection Sleeve Us Kit	
K4	140 7665 500	1	OUTLET ELECT. 15A 250V	
K5	140 7012 500	1	Motorgavl GD930 Incl. Thermo Sikring	
K5	140 7012 510	1	Motor Plate Gd 930/S2	
K6	140 5058 500	6	Låseskive GD 930	
K7	140 5055 500	2	Hjul Bag Kompl. GD930S	
K8	140 7011 510	1	Bundplade, GD930/Uz930/S2	[8]
K8	140 7011 500	1	Underdel Kompl GD930S Bund/Stødkant/Lydd	
K9	140 7902 500	1	Sugemotor GD930S/S2 1000W	
K9	140 7902 520	1	Sugemotor. Uz934 Ers.011 6000 040	[9]
K9	140 7902 530	1	Fan Unit Kit Domel 100V	[10]
K9	140 7902 510	1	Fan Unit Kit 110-120V	[3]
K10	140 1535 500	1	Filter+Pakninger GD930	

Part Notes:

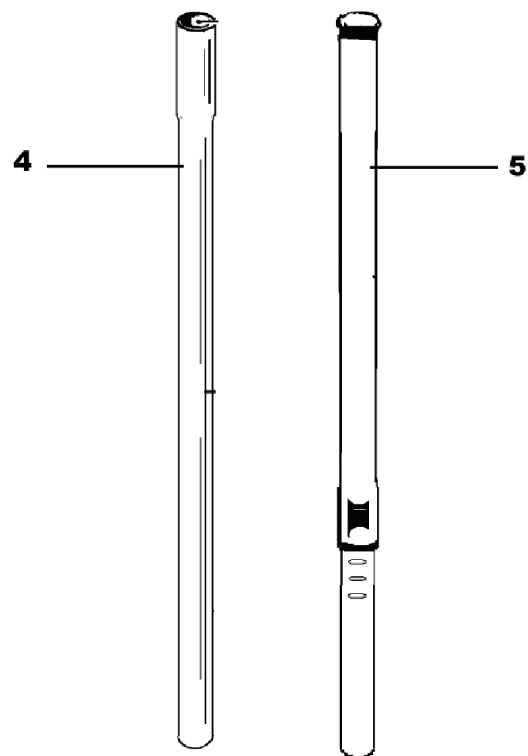
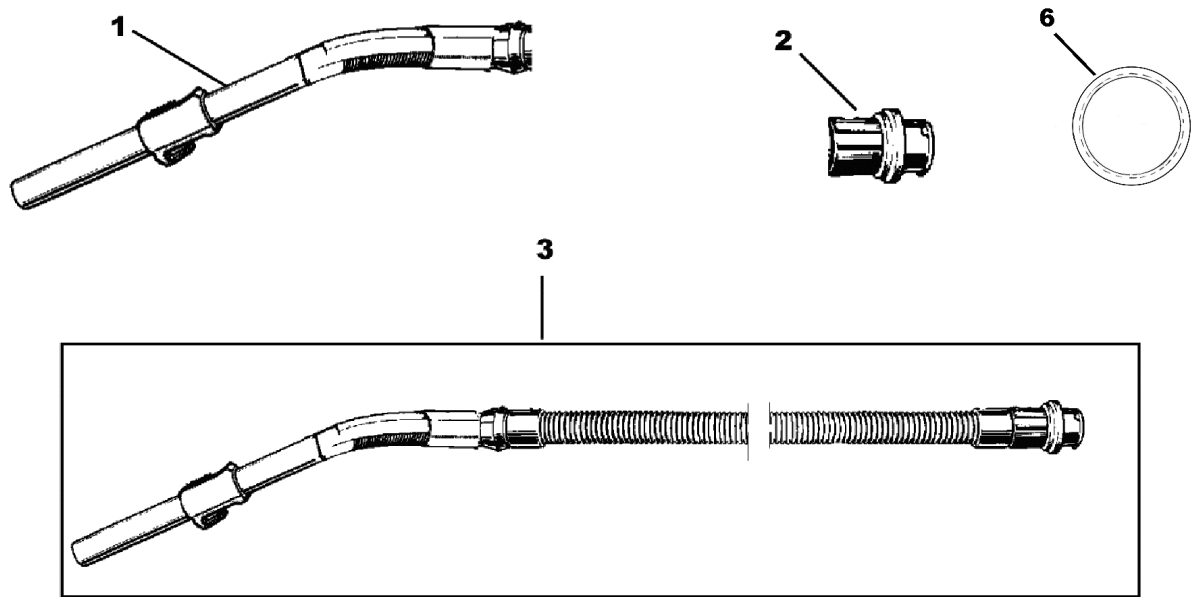
- [1] - NEUTRAL, FOR PANTHER
NO LONGER AVAILABLE
- [2] - Part of K9
- [3] - US
- [4] - STOCK COVERS GUARANTEE
- [5] - campain modul
- [6] - 120V US/CA
- [7] - Machine outphased 2010
- [8] - UL
- [9] - (UZ934)
- [10] - JP



Pos.	Vare-nr	Antal	Beskrivelse	Notes
1	107408923	1	Låg sort	[1]
1	140 7802 080	1	Låg rød	
2	140 0061 030	1	Pakning L1130	
3	140 1515 500	1	Skumfilter	
4	140 3260 500	1	Filter papir (5 stk.)	
4	140 5661 000	1	Filter, Hygiejne GD930S	[2]
5	140 2666 010	1	HEPA filter	
6	140 2911 000	1	Filterholder	
7	140 7313 020	1	Støvsugerposer HF (10 stk.)	
7	140 7019 500	1	Stofpose (1 stk.) 930 serien	
7	140 7015 040	1	Støvsugerposer (10 stk.)	
8		1	Part of K3 item 140 7832 500	[3]
10	140 7832 500	1	Fjeder Kit GD930/S2	
11	140 9214 070	8	Skrue Ptk Torx 50X14 Fzb	
12	140 7020 510	1	Beholder GD930	
13	140 5694 000	1	RIVET	
14	740 4416 000	1	O-Ring 49,5X3	[4]
15	140 7013 000	1	Studs, GD930	
16		1	Part of K2	[5]
17		1	Part of K2	[5]
18	140 7014 500	1	Poseholder (3 stk.)	
19		1	Part of K3	[6]
20	140 7877 000	1	Decal/Sticker Nilfisk GD	
23	140 9214 040	2	Skrue Torx 40X14 Fzb	[7]
K1	140 7801 500	1	Låg M. Filter GD930	
K1	140 7801 510	1	Låg M/Hepa Filter GD930S	
K2	140 7800 500	1	Håndtagskit GD930	
K3	140 7832 500	1	Fjeder Kit GD930/S2	
NI	140 6076 000	1	SIGN	[8]
NI	140 6754 000	1	LABEL	[9]
NI	140 7784 000	1	GD 930 Papkasse	

Part Notes:

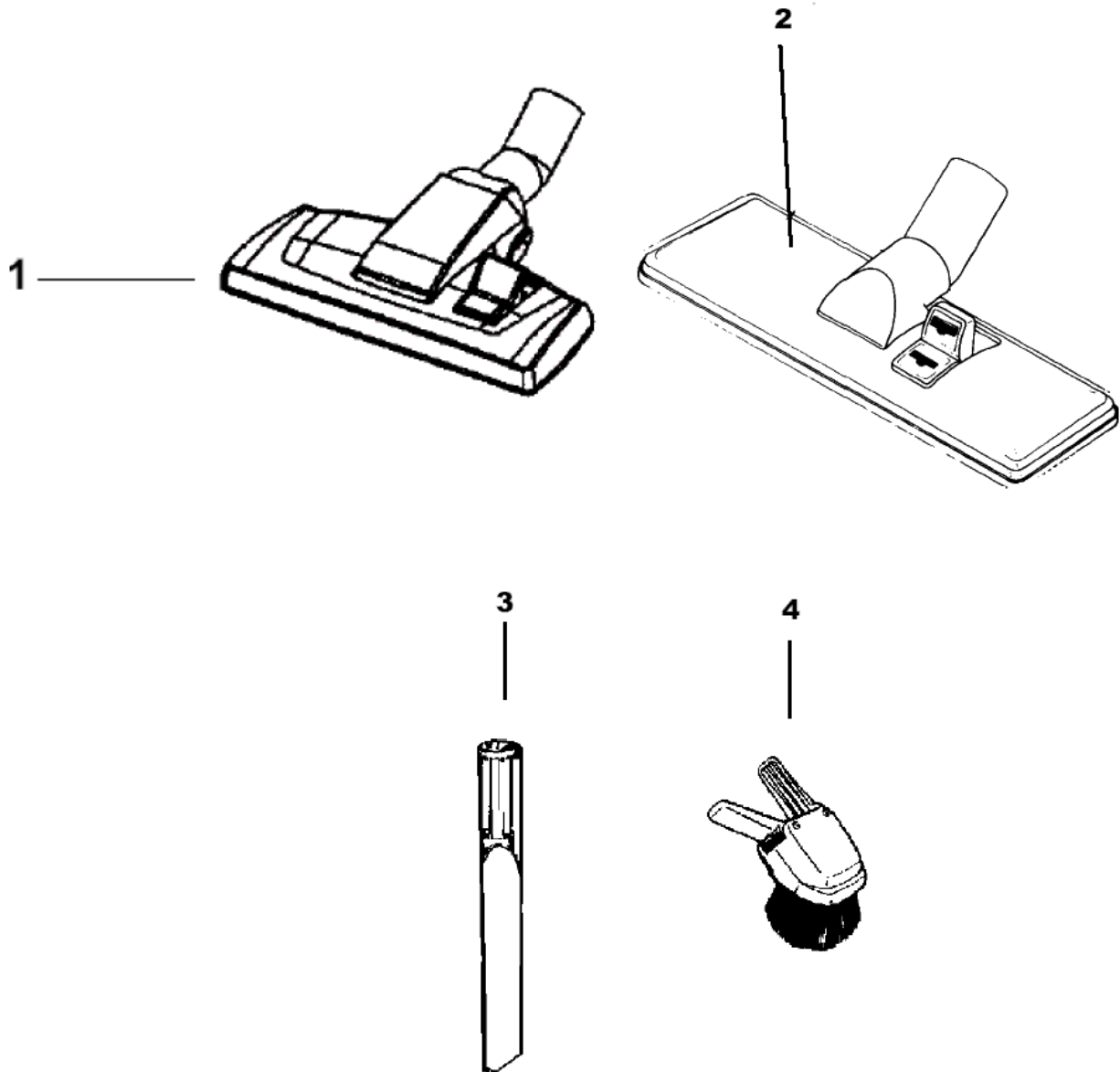
- [1] - Black
- [2] - STOCK COVERS GUARANTEE
- [3] - Part of K3 item 140 7832 500
- [4] - TERMINATED NO REPLACEMENT
- [5] - Part of K2
- [6] - Part of K3
- [7] - Incl. in K2
- [8] - Emptying - if this vacuum cleaner is...
- [9] - Warning HEPA filter must be installed...



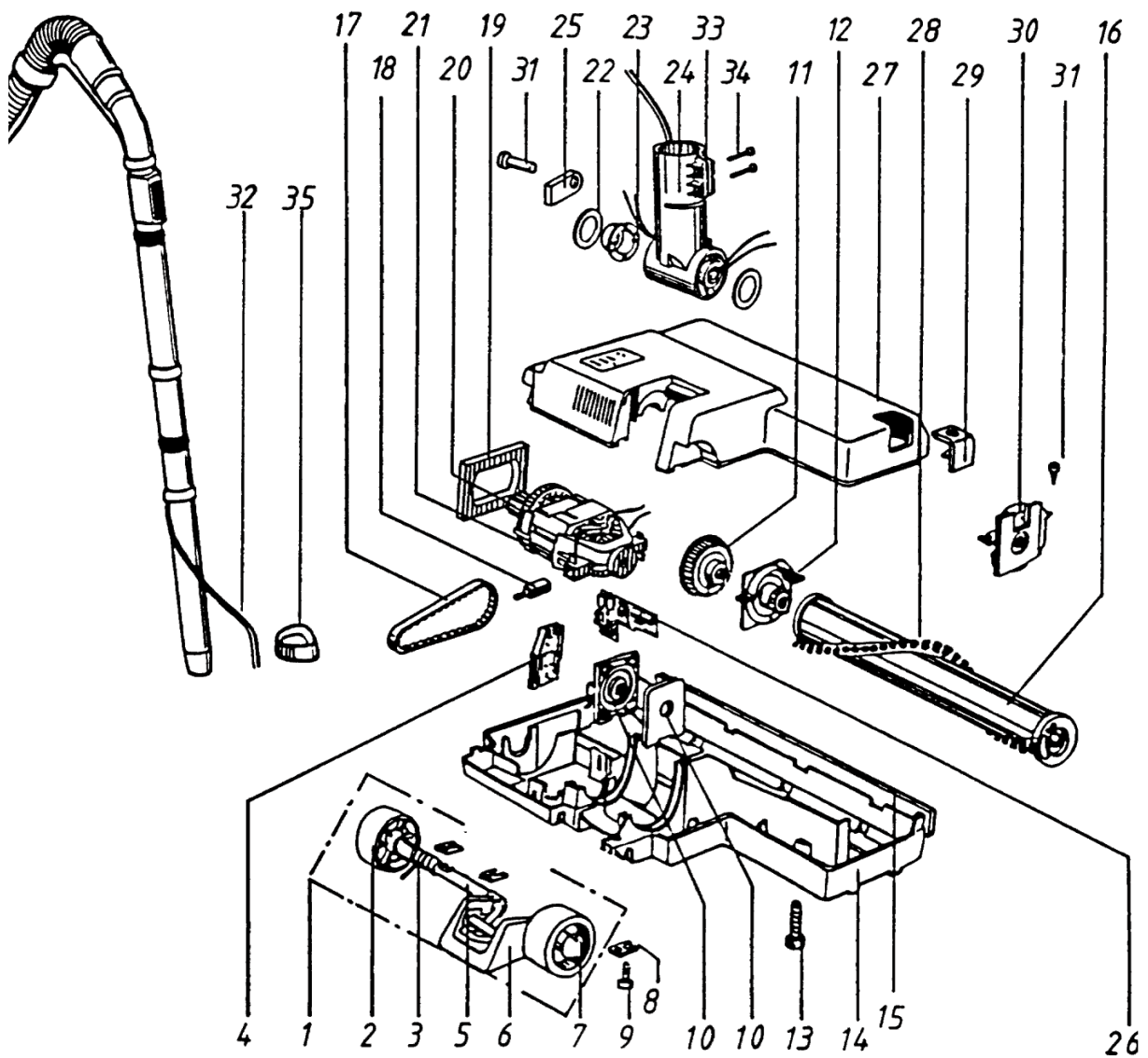
Pos.	Vare-nr	Antal	Beskrivelse	Notes
1	140 5116 500	1	Rør alu buet Ø32	
2	140 3846 500	1	Kobling Ø32	
3	140 2782 500	1	Slange komplet 1,9 m Ø32	
3A	140 2782 000	1	Slange 32Mm 7,5 M	[1]
4	011 6431 500	1	Forlængerrør alu 500 mm 1 stk. Ø32	
5	011 8130 500	1	Teleskoprør alu Ø32	
6	010 9299 540	1	Pakning Til Kobling GD930	

Part Notes:

[1] - Ground



Pos.	Vare-nr	Antal	Beskrivelse	Notes
01	140 8492 520	1	Kombimundstykke 300 mm m. midterhjul Ø32	
02		1	Not available	
03	010 3098 500	1	Fugemundstykke Ø32	
04	011 3104 500	1	Vingemundstykke Ø32	



Pos.	Vare-nr	Antal	Beskrivelse	Notes
00	909 1220 010	1	Motormundstykke 220V/50Hz	
00	909 1221 010	1	UZ 984 POWER NOZZLE 240V	[1]
01	093 1751 000	1	SHAFT	
02	093 1750 000	2	Hjul	[2]
03	093 1752 000	1	TENSION SPRING	[3]
04	142 0882 000	1	BEARING PLATE	
05	093 1754 000	1	SHAFT	
06	093 1755 000	1	PEDAL	
07	093 1757 000	2	LOCK WASHER	[2]
08	093 1759 000	3	WASHER	[2]
09	093 1760 000	5	SCREW RXS 3.9 13 Z.PL..	[2]
10	142 0883 000	2	BEARING CPL..	
11	142 0559 000	1	BRUSH ROLLER. PULLEY.	
12	093 1763 000	1	BEARING	[2]
13	093 1764 000	4	SCREW MRX M5X25	
14	093 1765 000	1	Kåpa	
15	142 0885 000	1	BUMPER	
16	093 1769 000	1	Borst Vals	[4]
17	093 1781 000	1	Drivrem GD984	[3]
18	093 1783 000	2	Kul	
19	093 1782 000	1	INJECTOR	[3]
20	093 1780 000	1	Kuggghjul	[2]
21	093 1806 000	1	BRUSH MOTOR 115V	
21	093 1779 000	1	MOTOR	[3]
21	093 1805 000	1	MOTOR 240V	
22	142 0886 000	2	WASHER	
23	142 0887 000	2	CONDUCTOR BEARING	
24	142 0888 000	1	CONNECTION TUBE	
25	142 0889 000	1	ANTI STRAIN CLIP	
26	142 0890 000	1	EL. CONTROL BOARD 220V	
26	142 0891 000	1	EL. CONTROL BOARD 240V	
26	142 0892 000	1	EL.CONTROL BOARD 110V	
27	142 0893 000	1	Top.	[5]
28	093 1770 000	1	Børste Uz984/Uz814-815	[6]
29	093 1768 000	1	SUPPORT	[5]
30	093 1767 000	1	BEARING FOR BRUSH	[3]
31	093 1756 000	7	SCREW RXS 3.9 16 Z.PL..	[2]
32	142 0894 000	1	Ledning Uz984	
33	093 1786 000	2	SQUARE NUT M4	
34	18274	2	Skruer M4X12	
35	011 3634 000	1	Hose Clip	

Part Notes:

- [1] - PRUNED - NO REPLACEMENT
- [2] - Machine outphased 1998
STOCK COVERS GUARANTEE
- [3] - Machine outphased 1998
- [4] - Unit incl strip
- [5] - STOCK COVERS GUARANTEE
- [6] - Only the strip is supplied

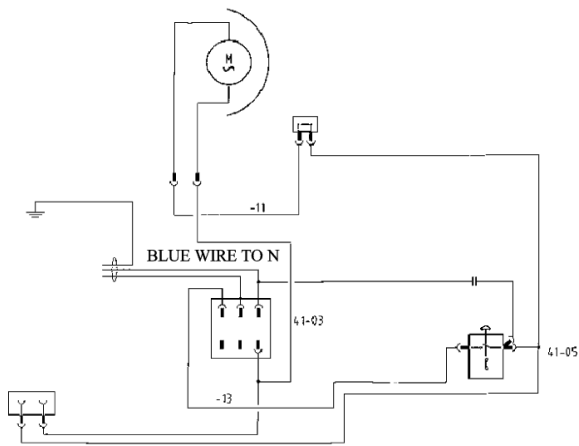
Pos.	Vare-nr	Antal	Beskrivelse	Notes
01	140 1535 500	1	Filter+Pakninger GD930	
01	140 5055 500	1	Hjul Bag Kompl. GD930S	
01	140 6423 530	1	CORD UK L 15M	
01	140 7012 500	1	Motorgavl GD930 Incl. Thermo Sikring	
01	107401390	1	CORD SET CN 15.5M - KIT	[1]
01	140 6423 550	1	CORD US PLUG L 15M	
01	140 7026 510	1	2S CIRCUIT BOARD 110-120V KIT	
01	140 6423 510	1	Ledning Uz934 10M	
01	140 6423 570	1	CORD JP L 15M	
01	140 7801 500	1	Låg M. Filter GD930	
01	140 7801 510	1	Låg M/Hepa Filter GD930S	
01	140 7014 500	1	Poseholder (3 stk.)	
01	010 9678 500	1	Outlet Electrical 230V 930-Series	
01	010 9299 540	1	Pakning Til Kobling GD930	
01	140 7902 530	1	Fan Unit Kit Dome1 100V	
01	140 7023 500	1	Afbryder,2 Hastigh.930 S2,sort,2 stikben	
01	140 7665 500	1	OUTLET ELECT.15A 250V	
01	140 6423 520	1	Cord Kit Ch L 15M Packed In A Plastic Ba	[2]
01	140 7025 500	1	Hjul 50 Mm GD930S	
01	140 7024 500	1	Print, Anti Statisk	
01	140 7832 500	1	Fjeder Kit GD930/S2	
01	140 6423 500	1	Kabel Eu L=15M Black	
01	140 7902 500	1	Sugemotor GD930S/S2 1000W	
01	140 6423 560	1	CORD US L 10M GROUNDED	
01	140 7033 500	1	Afbryder GD 930S Kompl., grå, 3 stikben	
01	140 6423 540	1	CORD UK L 10M	
01	140 7800 500	1	Håndtagskit GD930	
01	140 7026 500	1	2S Circuit Board 220-240V	
01	140 6423 580	1	CORD AU L 15.5M	
01	140 2782 500	1	Slange komplet 1,9 m Ø32	
01	140 7902 520	1	Sugemotor.Uz934 Ers.011 6000 040	
01	140 1515 500	1	Skumfilter	
01	140 7019 500	1	Stofpose (1 stk.) 930 serien	
01	140 7012 510	1	Motor Plate Gd 930/S2	
01	140 7902 510	1	Fan Unit Kit 110-120V	

Part Notes:

- [1] - CN ONLY
- [2] - Machine outphased 2010

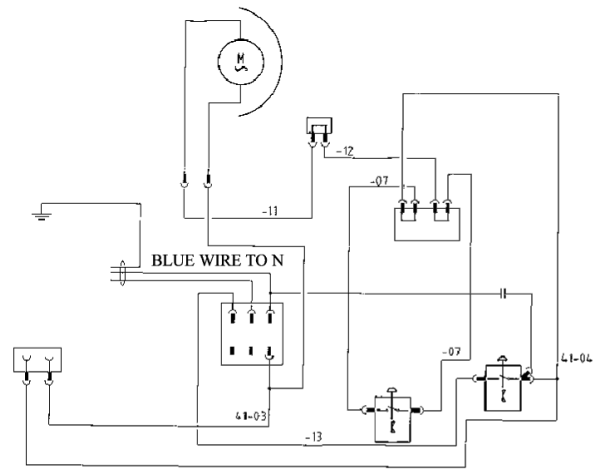
GD 930 GROUNDED VERSION

FOR THE NEW DOMEL
FAN UNITS



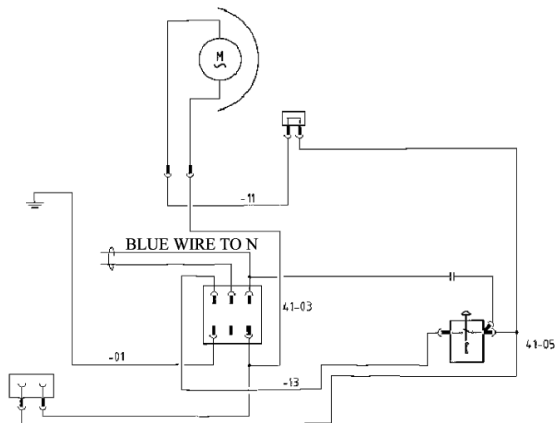
GD 930S2 GROUNDED

FOR THE NEW DOMEL
FAN UNITS



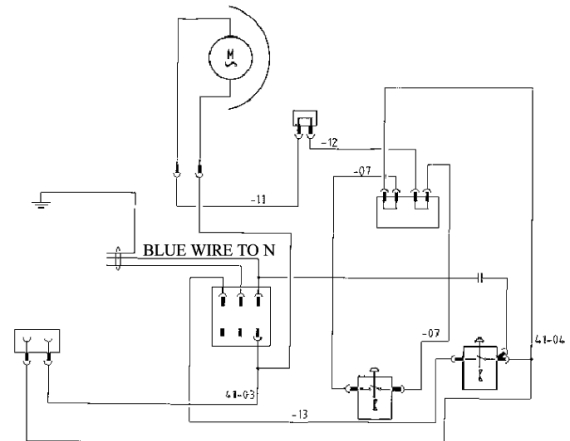
GD 930 DOUBLE INSULATED

FOR THE NEW DOMEL
FAN UNITS



GD 930S2 DOUBLE INSULATED

FOR THE NEW DOMEL
FAN UNITS



Pos.	Vare-nr	Antal	Beskrivelse	Notes
------	---------	-------	-------------	-------

