

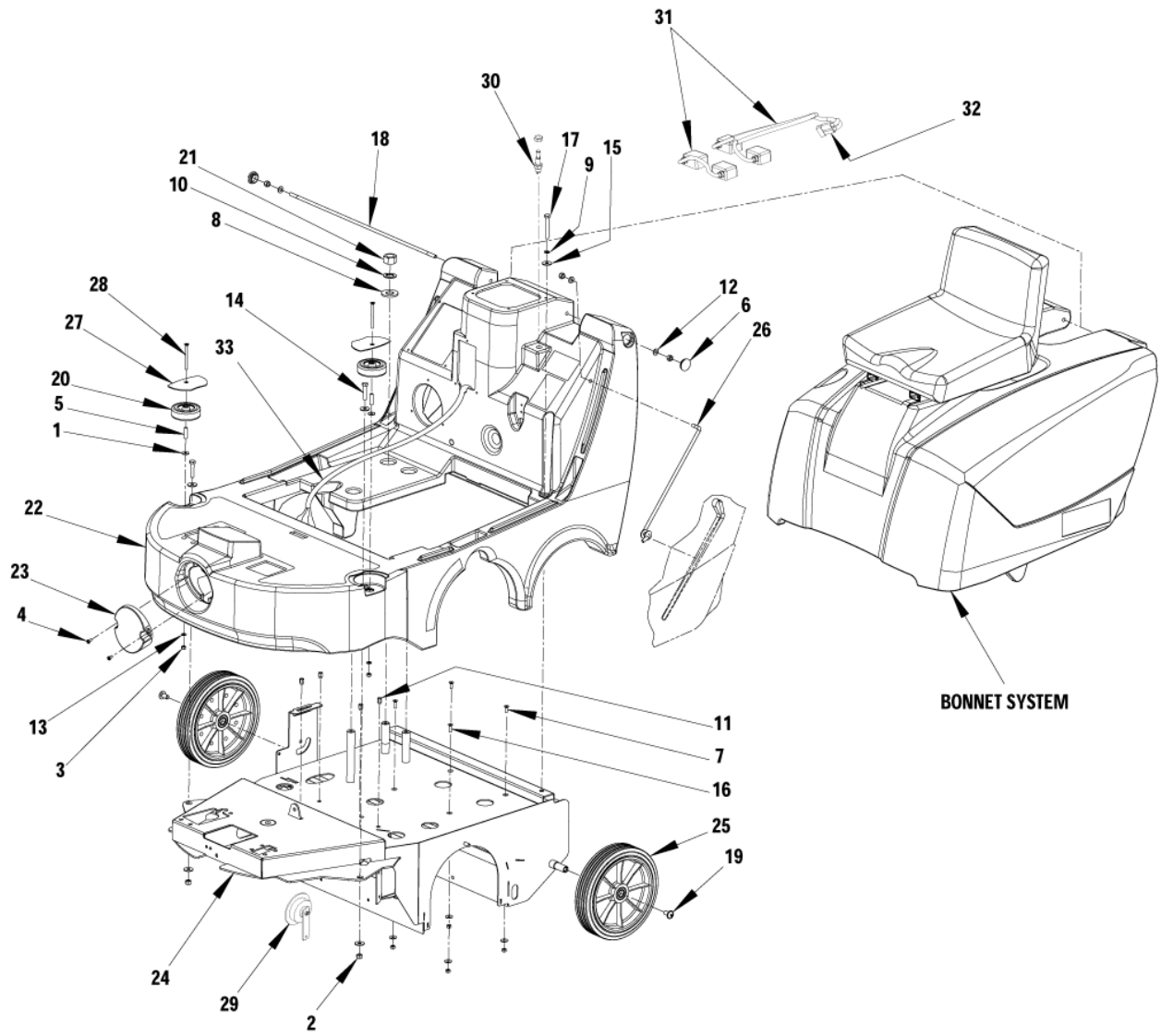
PARTS LIST



2017.07.31

TABLE OF CONTENTS

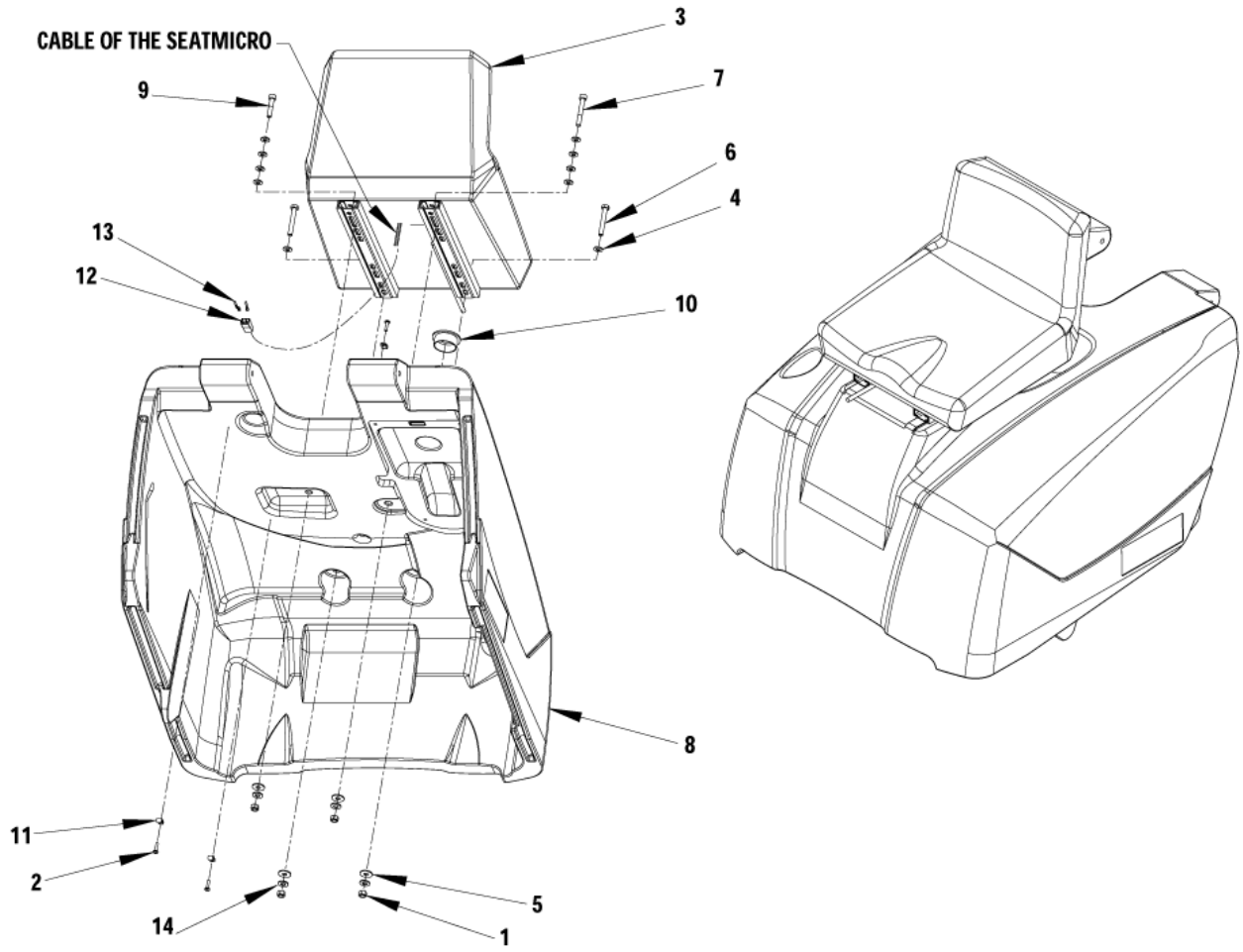
Chassis	1
Bonnet system	3
Main broom	5
Side broom	7
Side broom (after 2006 June)	9
Steering system	11
Steering system (after 2006 June)	13
Drive system	15
Drive system (after 2006 June)	17
Pedal	19
Pedal (after SN 051807363)	21
Hopper	23
Transmission	25
Reduction motor	27
Dust control	29
Control panel	31
Right - left hub	33
Decals	35
Electrical components	37
Battery charger	39
Accessories	41
Accessory: Side broom protection kit	43



Pos.	Vare-nr	Antal	Beskrivelse	Notes
6	33023302	2	CAP BLACK SIP	
18	146 0534 000	1	Handle Shaft	
22	146 2362 000	1	CHASSIS ROTOMOLDED	
23	1465168000	1	COVER LIGHT	
24	146 2965 000	1	CHASSIS GALV.	[1]
25	146 1899 000	2	Hjul Sr 1000 Sb	
26	146 1900 000	1	BAR SAFETY F BONNET	
27	1467505000	2	PLATE COVER F ROLLER BUMPER BLACK SIP	
29	1467032000	1	HORN 24V SIP	
30	146 0565 000	1	Push Switch F/Sw700S	
31	1467533000	1	HARNESS BATTERY KIT	
32	146 1986 000	1	Ladestik Rød 120A	
33	146 2240 000	1	Ledningsnet, Komplet	
K1	1464391000	1	HARDWARE CHASSIS SYST KIT	[2]
K2	1464392000	1	ROLLER BUMPER KIT	[3]

Part Notes:

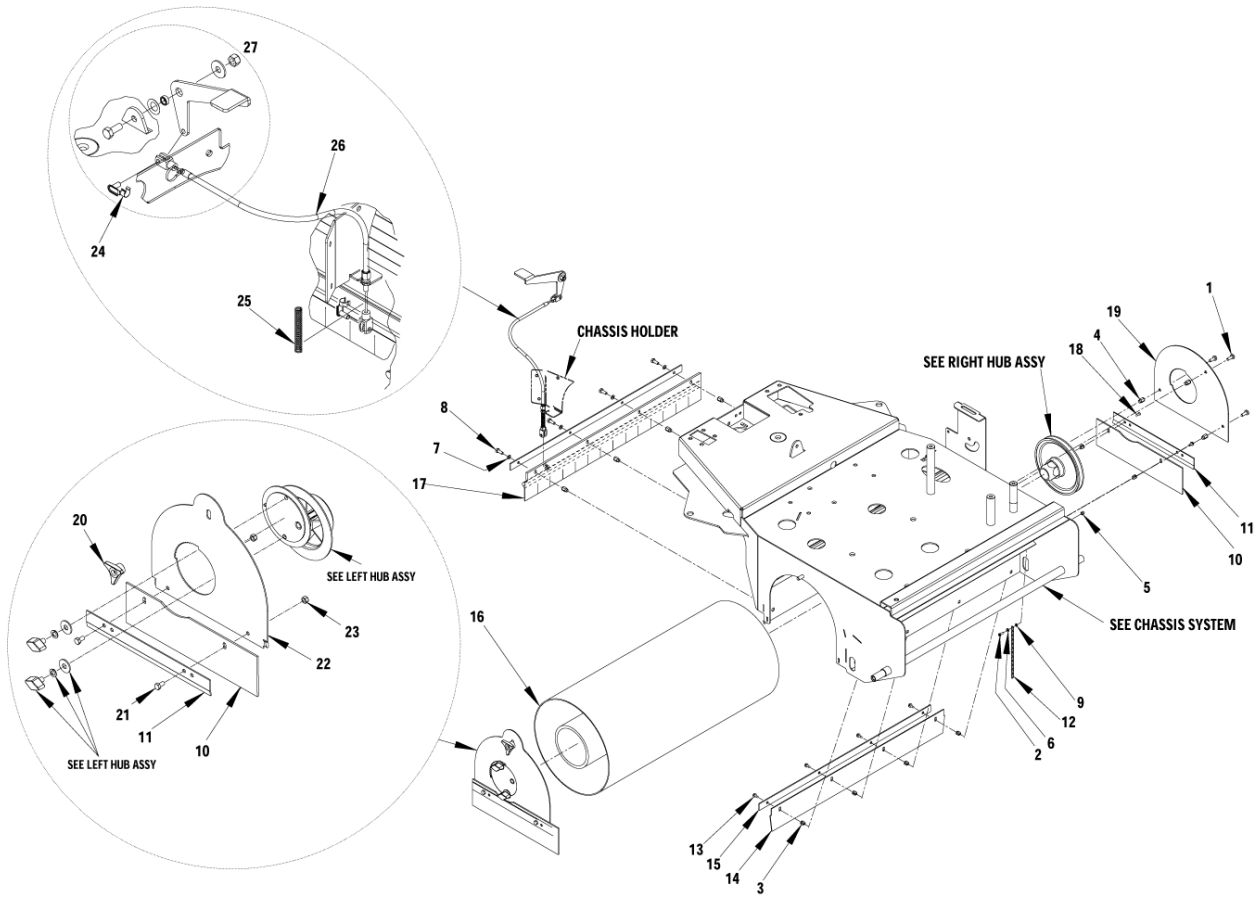
- [1] - ITEM NO LONGER AVAILABLE
- [2] - NOT SHOWN - ITEM: 2,3,4,7,8,9,10,11,12,13,14,15,16,17,19,21
- [3] - NOT SHOWN - INCLUDES: 1,3,5,13,20,27,28



Pos.	Vare-nr	Antal	Beskrivelse	Notes
0	1463242000	1	HARNESSE SEAT MICRO KIT	[1]
0	1464393000	1	HARDWARE BONNET SYST KIT	[2]
3	145 1782 000	1	Sæde Med Kontakt Sr1000	
8	146 2363 000	1	HOOD ROTOMOLDED. BATTERY	
10	146 1970 000	1	CAP D.46	
12	145 3740 000	2	TERMINAL 1/2.5	

Part Notes:

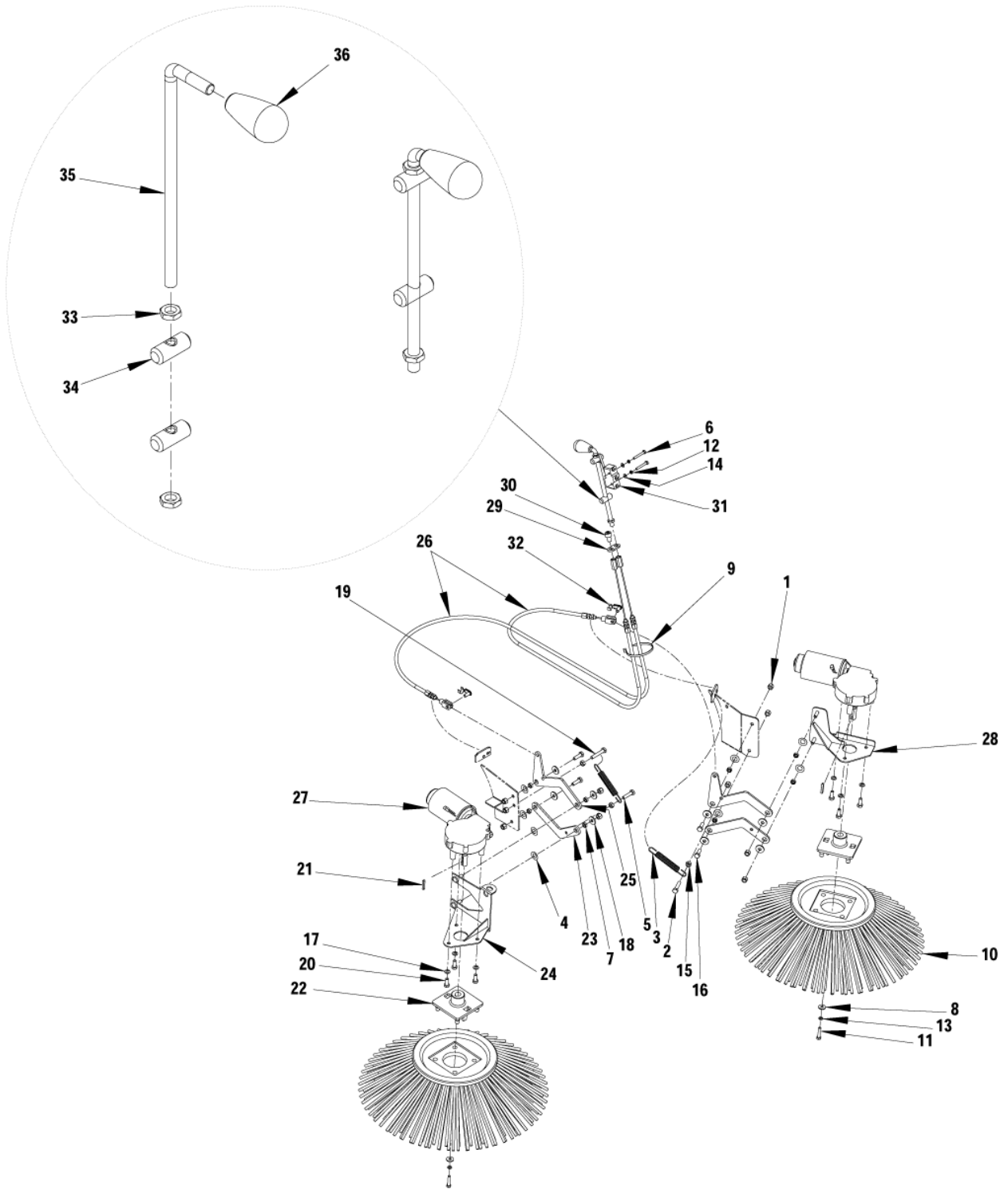
- [1] - GUARANTEE DATE EXPIRED
- NOT SHOWN - SEE TSB IT 2007-002
- [2] - NOT SHOWN - ITEM: 1,2,4,5,6,7,9,11,14



Pos.	Vare-nr	Antal	Beskrivelse	Notes
0	1464396000	1	HUB RIGHT KIT	
0	1464395000	1	HUB LEFT KIT	
0	1464394000	1	HARDWARE MAIN BROOM KIT	[1]
10	146 0555 000	2	Skørt,Side H/V Sw700S F/ Sw 700S	
10	146 0587 000	2	Sværtefrit skørt, side	[2]
11	146 2331 000	2	PLATE SIDE SKIRT	
12	146 0611 000	1	CHAIN GROUND KIT	
14	146 0738 000	1	Skørt Front Sw700-850	
14	146 0743 000	1	Sværtefrit skørt, bag	[2]
15	146 2344 000	2	PLATE.FRONT SKIRT	
16	146 0750 000	1	Fejevalse stålmix	
16	146 0753 000	1	Fejevalse til tæpper/naturfiber	[3]
16	146 0749 000	1	Fejevalse natur 600 mm Ø265	[3]
16	146 0748 000	1	Fejevalse standard	
17	146 0756 000	1	Skirt Front Soft	
19	146 2329 000	1	Luge til hovedkost, højre	
20	145 5035 000	1	Knob M8	
22	1466364000	1	HATCH LT MET. BLACK F MAIN BROOM SIP	
24	145 4536 000	2	CIRCLIP M6	
25	145 1935 000	1	Filter Shaker Spring	
26	145 1975 000	1	Kabel, Sr 5110	
27	146 2161 000	2	Pedal,Skirt Rais.Device	

Part Notes:

- [1] - NOT SHOWN - ITEM: 1,2,3,4,5,6,7,8,9,13,18, 21,23
- [2] - OPTIONAL
- [3] - PI 2015-001 TTY

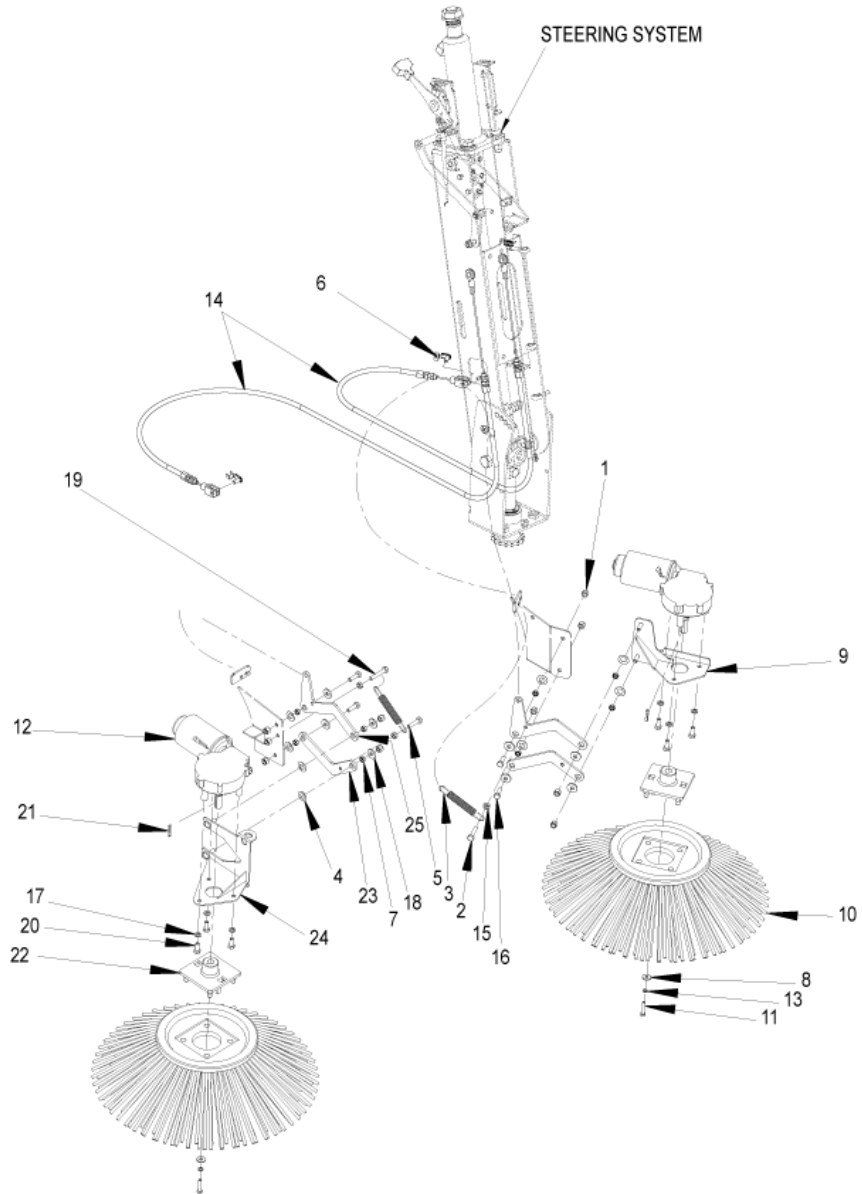


Pos.	Vare-nr	Antal	Beskrivelse	Notes
1	33023469	1	NUT LOCK HEX M6 ISO7040 10 PCS SET	
2	33023226	1	SCREW M6X30 HEX HD ISO4017 10 PCS SET	
3	145 0274 000	2	Fjeder	
4	145 1147 000	8	WASHER 10.2X18.8X0.35 10.2x18.8X0.35	
5	33023317	1	SCREW M6X25 ISO4017 10 PCS SET	
6	33003953	2	SCREW M4X30 HEX HD F/THD ISO4017	
7	145 1252 000	8	Afstandsstykke 6.5X10X5	
8	1467686000	1	WASHER PLAIN M5X15 ISO7093 10 PCS SET	
9	145 1449 000	1	TIE CABLE 3.6x140 BLACK	
10	145 4959 000	2	Sidekost stålmix	
10	146 0678 000	2	Sidekost nylon 180 x 347	[1]
10	145 4976 000	2	Sidekost til tæpper/naturfiber	[2]
10	145 1899 000	2	Sidekost standard	[1]
11	33003964	2	Screw M5X25 Uni5739	
12	33005838	2	WASHER SPRING LOCK M4 DIN127-B	
13	33005839	2	WASHER M5 UNI1751B	
14	33023198	1	WASHER PLAIN M4 ISO7089 10 PCS SET	
15	33005502	3	Møtrik M6	
16	33023470	1	SCREW M6X20 HEX HD ISO4017 10 PCS SET	
17	33005851	6	Skive M6 Uni1751B	
18	1466530000	1	WASHER PLAIN M6X18 ISO7093 10 PCS SET	
19	33023227	1	SCREW M6X35 HEX HD ISO4017 10 PCS SET	
20	33023255	1	SCREW M6X16 HEX ISO4017 10 PCS SET	
21	145 9777 000	2	Nøgle Uni6604A	
22	146 0519 000	2	Nav F. Sidebørste	
23	146 0558 000	2	Arm, Side Børste	
24	146 0559 000	1	Konsol F. Børste	[3]
25	146 1894 000	2	Arm, Sidebørste	
26	146 1895 000	2	Kabel, Side Børste	[3]
27	1464152000	2	Reduction Gearmotor 60W 24V	
0	1464166000	1	CARBON BRUSHES W/HOLDER KIT	[4]
0	1464054000	1	Kul-Sæt	[5]
28	146 2972 000	1	BRACKET. SIDE BROOM	
29	146 2107 000	1	PLATE	[6]
30	909 5297 000	1	SCREW M8X12 CAP HD HEX SOCK ISO4762	
31	1466506000	1	MICROSWITCH 10A 250V PKD	
32	145 4536 000	2	CIRCLIP M6	
33	33005533	2	Nut M8	
34	L08601509	2	Bolt	[7]
35	146 1955 000	1	PIN	[6]
36	145 9319 000	1	KNOB M8	[6]

Part Notes:

- [1] - OPTIONAL
- [2] - OPTIONAL
PI 2015-001 TTY
- [3] - STOCK COVERS GUARANTEE
- [4] - NOT SHOWN - FOR NEW RED.GEAR MOT.1464152000
- [5] - GUARANTEE DATE EXPIRED

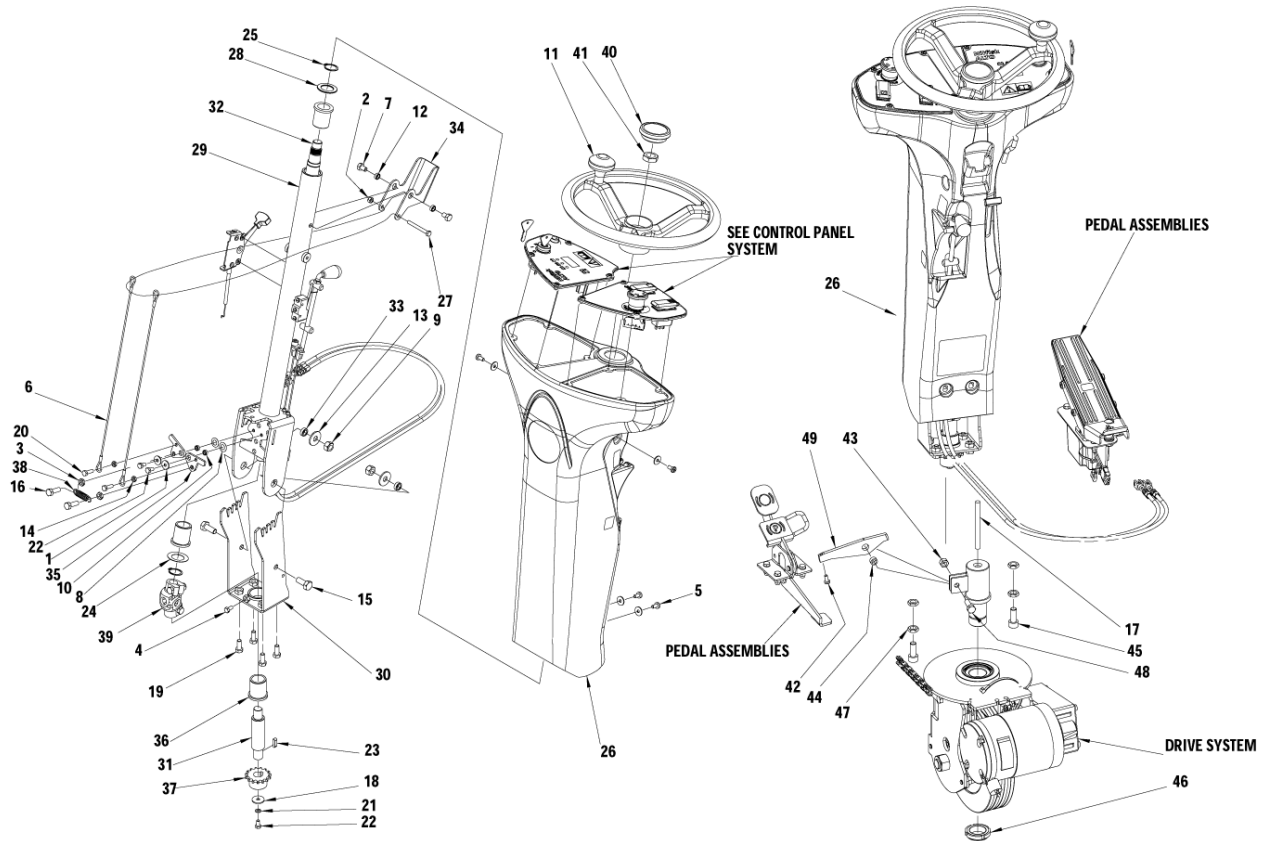
- NOT SHOWN - FOR OLD RED.GEARMOT.146 1897 000
See TSB IT 2009-033
- [6] - GUARANTEE DATE EXPIRED
- [7] - TILL S/N 06221124



Pos.	Vare-nr	Antal	Beskrivelse	Notes
0	1464397000	1	Hardware Side Brooms Kit	[1]
3	145 0274 000	2	Fjeder	
4	145 1147 000	8	WASHER 10.2X18.8X0.35 10.2x18.8X0.35	
6	145 4536 000	2	CIRCLIP M6	
9	146 2972 000	1	BRACKET. SIDE BROOM	
10	145 4959 000	2	Sidekost stålmix	
10	146 0678 000	2	Sidekost nylon 180 x 347	[2]
10	145 4976 000	2	Sidekost til tæpper/naturfiber	[3]
10	145 1899 000	2	Sidekost standard	[2]
12	1464152000	2	Reduction Gearmotor 60W 24V	
14	146 2970 000	2	Cable.Side Broom	
22	146 0519 000	2	Nav F. Sidebørste	
23	146 0558 000	2	Arm,Side Børste	
24	146 2971 000	1	Bracket. Side Broom	
25	146 1894 000	2	Arm, Sidebørste	

Part Notes:

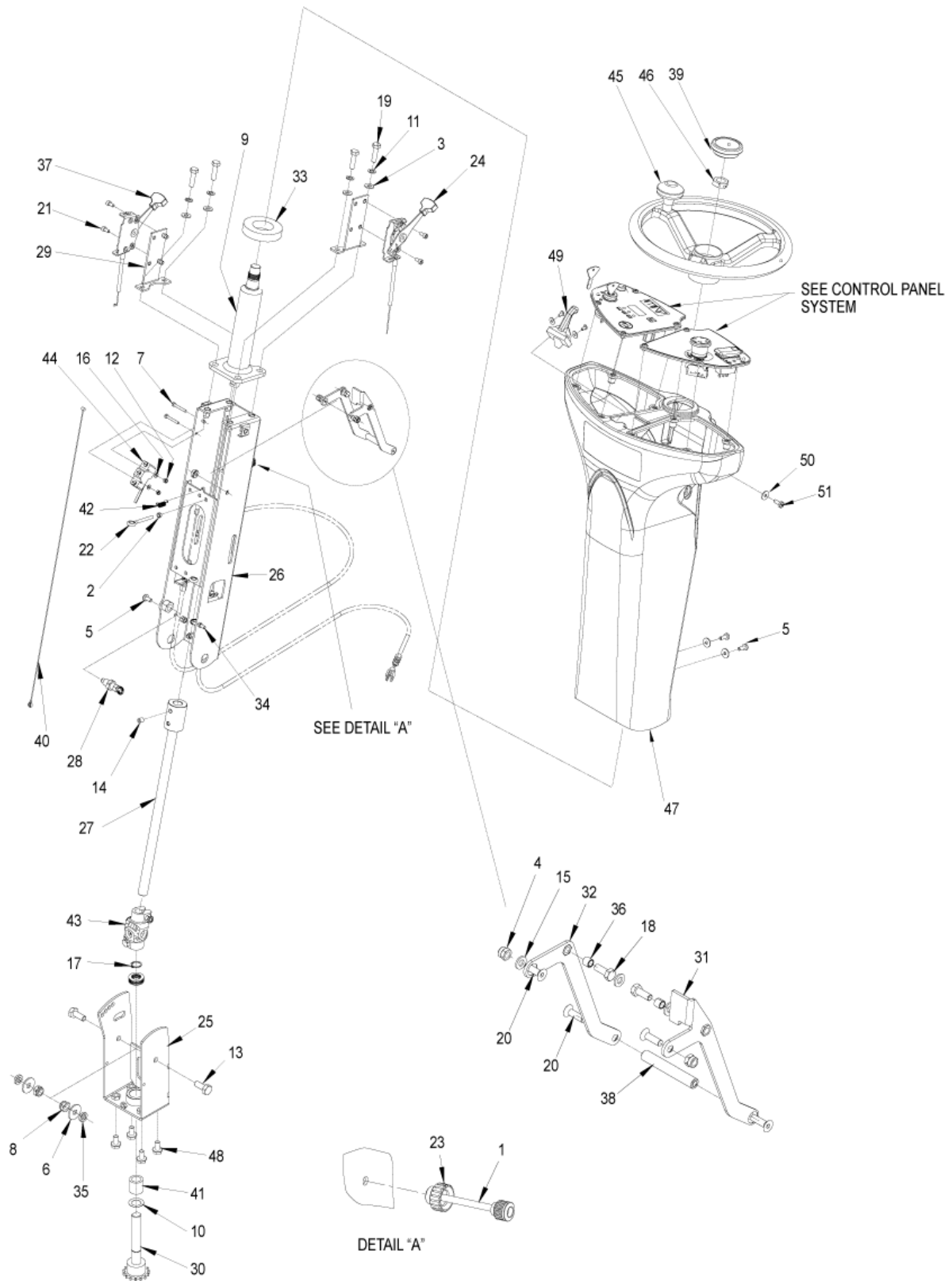
- [1] - NOT SHOWN - ITEM 1,2,5,7,8,11,13,15,16,17,18,19,20,21
 [2] - OPTIONAL
 [3] - OPTIONAL
 PI 2015-001 TTY



Pos.	Vare-nr	Antal	Beskrivelse	Notes
1	1466530000	1	WASHER PLAIN M6X18 ISO7093 10 PCS SET	
2	33023667	1	NUT LOCK HEX M6 LOW ISO10511 5 PCS SET	
3	33005533	2	Nut M8	
4	L08600757	1	Hexagonal Screw M 6X16 Vz F.Ba450/530	
5	L08603706	4	SCREW M6X12 PAN HD PHIL ISO7045	
6	L08812362	2	Kabel	[1]
7	33003991	2	Screw Hex Hd 8X12	
8	145 1147 000	2	WASHER 10.2X18.8X0.35 10.2x18.8X0.35	
9	33005608	2	Møtrik M10 Uni7474	
10	145 1252 000	2	Afstandsstykke 6.5X10X5	
11	146 2106 000	1	WHEEL. STEERING D.320	
12	1467026000	2	SPACER 8X12X5 SIP	
13	L08604251	2	Disc 10,5 Ba340/450/530	
14	33023183	1	NUT HEX M6 LOW ISO4035 10 PCS SET	
15	33004009	2	SCREW M10X25 HEX HD F/THD ISO4017	
16	33005445	2	Skruer Galvaniseret M8X25 Ba650S	
17	146 1886 000	1	PIN	[2]
18	1466332000	1	WASHER 6X24X2 UNI6593 10 PCS SET	
19	146 2316 000	4	SCREW M8X16 HEX HD F/THD FLANG ISO1665	
20	33023470	1	SCREW M6X20 HEX HD ISO4017 10 PCS SET	
21	33005851	1	Skive M6 Uni1751B	
22	33003972	3	Skruer M6X12 UNI5739	
23	145 9773 000	1	KEY 6X6X20 UNI6604A	
24	145 9875 000	1	BELLEVILLE WASHER 25.5X41.6X0.7 DIN2093	[3]
25	146 1482 000	2	RING D 25 UNI7435	
26	146 2364 000	1	COVER ROTOMOLDED FRONT	[2]
27	146 1716 000	1	SCREW M6X55 HEX HD F/THD ISO4017	
28	146 1784 000	1	SPACER 25.5X40X2	
29	146 1906 000	1	steering column	[2]
30	146 1907 000	1	SUPPORT. STEERING COLUMN	[2]
31	146 1908 000	1	SHAFT.PINION STEERING	[2]
32	146 1909 000	1	SHAFT.STEERING	[2]
33	146 1910 000	2	SPACER 10X16X6	
34	146 1911 000	1	Monteringsbeslag	[2]
35	146 1912 000	2	LEVER	[2]
36	146 1913 000	3	BEARING FLANGE IGLIDUR MFM-2532-40	[2]
37	145 2601 000	1	SPROCKET T15 3/8	[2]
38	145 9579 000	1	Fjeder	
39	1466319000	1	JOINT UNIVERSAL D.17 SIP	
40	1467031000	1	CAP SIP	
41	146 2023 000	1	NUT HEX M18X1.5 LOW ISO8675	
42	909 5009 000	1	SCREW M5X12 PAN HD PHIL SS ISO7045	
43	33023574	1	NUT LOCK HEX M8 ISO10511 PCS 10 SET	
44	L08812325	1	Sleeve Ba450/530	
45	33004387	2	SCREW M10X25 UNI5931	
46	145 4519 000	1	NUT RING M30X1.5 KMA6 LIGHT SERIES	
47	33005534	4	NUT HEX M10 LOW ISO4035	
48	33005445	1	Skruer Galvaniseret M8X25 Ba650S	
49	146 1885 000	1	LEVER	[2]

Part Notes:

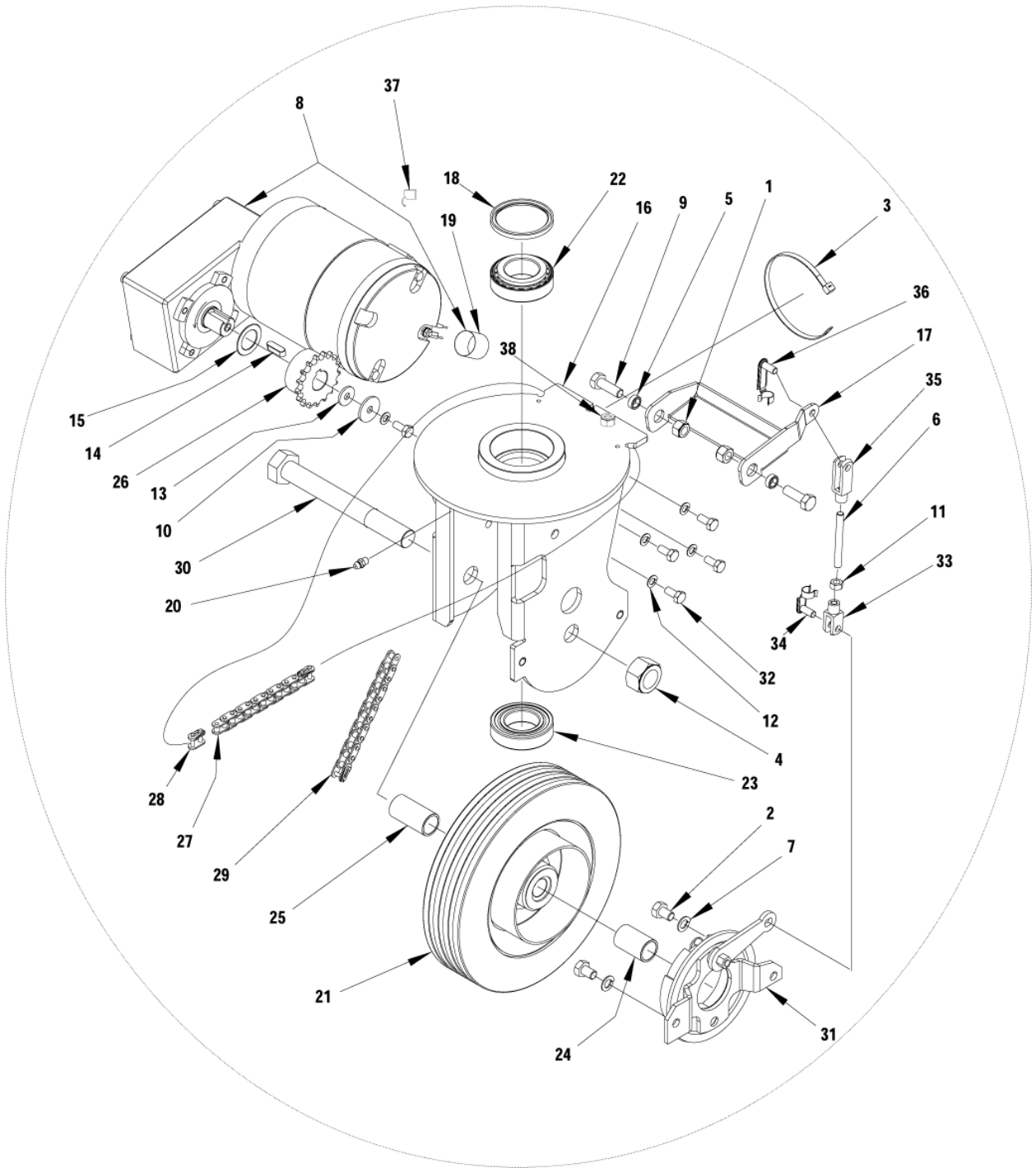
- [1] - Till S/N 06221124
 [2] - GUARANTEE DATE EXPIRED
 [3] - GUARANTEE DATE EXPIRED
 Till S/N 06221124



Pos.	Vare-nr	Antal	Beskrivelse	Notes
0	1464398000	1	HARDWARE STEERING KIT	[1]
1	145 1354 000	1	KNOB M 6x 65	
9	1466525000	1	COLUMN STEERING SIP	
17	9100001345	1	RING D 17 UNI7435 10 PCS SET	
22	146 2450 000	1	TIE-ROD EYE D.8 M5X52MM	
23	1466374000	1	KNOB KNURLED M6 FEMALE SIP	
24	146 2939 000	1	LEVER EMERGENCY BRAKE	
25	146 2945 000	1	SUPPORT STEERING COLUMN	
26	146 2947 000	1	STEERING COLUMN	
27	146 2948 000	1	SHAFT STEERING KIT	
28	1466328000	1	PLUNGER M12 D.8 W/NUT SIP	
29	146 2951 000	2	SUPPORT VACUUM CABLE	
30	146 2953 000	1	SHAFT STEERING W/PINION	
31	146 2954 000	1	Lever.Left Side Broom	
32	146 2955 000	1	LEVER.LEFT SIDE BROOM	
33	146 2956 000	1	GASKET	
34	146 2957 000	2	TIE-ROD EYE D.8 M5X25MM	
36	146 2959 000	2	BUSHING PAP 6X 8X 7	
37	146 2960 000	1	CABLE.VACUUM CONTROL	
38	146 2961 000	1	HANDLE SIDE BROOMS	
39	1467031000	1	CAP SIP	
40	1466327000	1	PLUNGER M12 W/CABLE KIT	[2]
41	145 9505 000	1	Bussning	
42	145 9290 000	1	Fjäder	
43	1466319000	1	JOINT UNIVERSAL D.17 SIP	
44	1466506000	1	MICROSWITCH 10A 250V PKD	
45	146 2106 000	1	WHEEL. STEERING D.320	
47	146 2933 000	1	COVER ROTOMOLDED FRONT	
48	146 2316 000	4	SCREW M8X16 HEX HD F/THD FLANG ISO1665	
49	146 2458 000	1	Lever	

Part Notes:

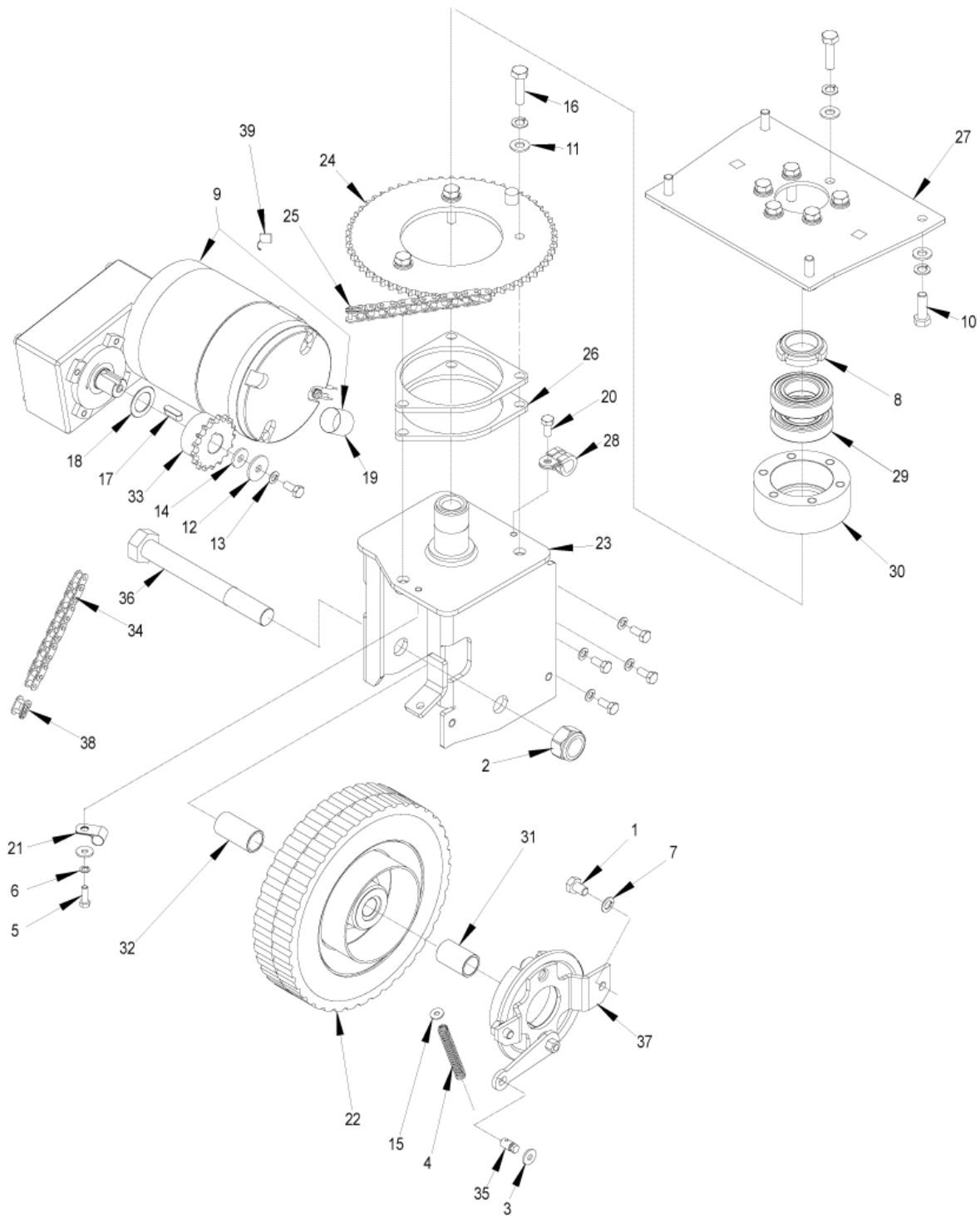
- [1] - NOT SHOWN - ITEM 2,3,4,5,6,7,8,10,11,12,13,14,15,16,18,19,20,21,35,46,48,50,51
 [2] - Included pos. 28



Pos.	Vare-nr	Antal	Beskrivelse	Notes
1	33023574	1	NUT LOCK HEX M8 ISO10511 PCS 10 SET	
2	33003991	2	Screw Hex Hd 8X12	
3	909 5896 000	1	Clamp.Hose D.14	
4	33005618	1	NUT LOCK HEX M18 LOW ISO10511	
5	1467026000	2	SPACER 8X12X5 SIP	
6	145 2529 000	1	ROD THREADED M6X55MM	[1]
7	33023223	1	WASHER SPRING LOCK M8 DIN127B 10 PCS SET	
8	146 2166 000	1	Reduction Gearmotor Cpl Con/Sheath	
9	33005445	2	Skruer Galvaniseret M8X25 Ba650S	
10	1466332000	1	WASHER 6X24X2 UNI6593 10 PCS SET	
11	33005502	1	Møtrik M6	
12	33005851	5	Skive M6 Uni1751B	
13	1466530000	1	WASHER PLAIN M6X18 ISO7093 10 PCS SET	
14	145 9773 000	1	KEY 6X6X20 UNI6604A	
15	146 0331 000	1	SPACER 18.5X30X1	
16	146 1926 000	1	SUPPORT FRONT WHEEL	[1]
17	146 1927 000	1	BRACKET	[1]
18	146 1928 000	1	GASKET	[1]
19	146 1929 000	1	SHEATH	
20	145 2330 000	1	FITTING LUBE M6X1 STRAIGHT	
21	1463184000	1	Forhjul Sr 1000	
22	1467636000	1	BEARING TAPER ROLLER 32006 SIP	
23	145 0225 000	1	BEARING BALL 6006 2RS1	
24	145 2574 000	1	SPACER 17X33	
25	145 2575 000	1	SPACER 17X41	
26	145 0221 000	1	Hjul, Z17 3/8 7/32	
27	145 2713 000	1	Kæde 3/8	[2]
28	145 9604 000	1	Link 3/8	[3]
29	145 0222 000	1	Kæde 3/8	
30	145 2576 000	1	PIN	
31	1466518000	1	BRAKE FRONT WHEEL SIP	
32	1466517000	1	SCREW M6X14 HEX HD ISO4017 10 PCS SET	
33	145 4535 000	1	FORK M6	
34	145 4536 000	1	CIRCLIP M6	
35	1467516000	1	CLEVIS M6X24 GALV. DIN71752 SIP	
36	145 9410 000	1	CIRCLIP M6	
37	1464432000	1	Brush Carbon Kit 4Pcs	
38	33023667	1	NUT LOCK HEX M6 LOW ISO10511 5 PCS SET	

Part Notes:

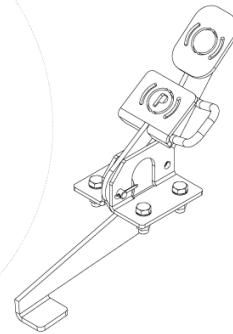
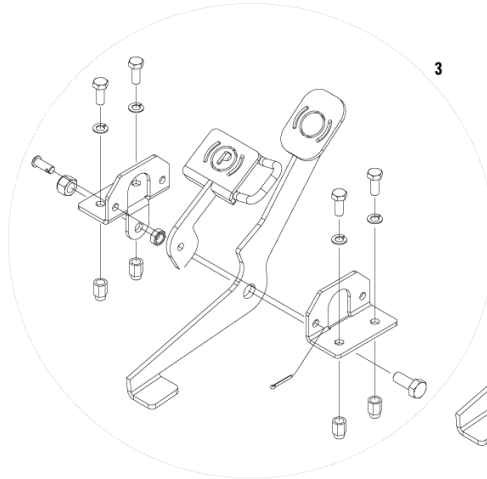
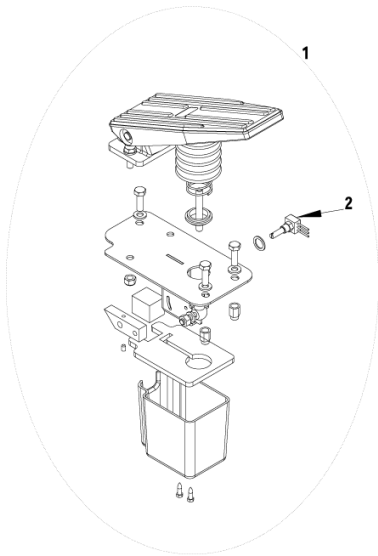
- [1] - GUARANTEE DATE EXPIRED
- [2] - STOCK COVERS GUARANTEE
- [3] - GUARANTEE DATE EXPIRED
TILL S/N 06221124



Pos.	Vare-nr	Antal	Beskrivelse	Notes
0	1464399000	1	HARDWARE DRIVE KIT	[1]
4	145 1935 000	1	Filter Shaker Spring	
9	146 2166 000	1	Reduction Gearmotor Cpl Con/Sheath	
19	146 1929 000	1	SHEATH	
21	146 2417 000	1	CLAMP D. 10	
22	1463184000	1	Forhjul Sr 1000	
23	1464456000	1	SUPPORT FRONT WHEEL	
24	146 2935 000	1	CROWN STEERING	
25	145 1784 000	1	Kæde	
26	146 2937 000	2	SPACER GALV. F STEERING SPROCKET WHEEL	
27	146 2938 000	1	PLATE SUPPORT FRONT WHEEL	
28	909 5896 000	1	Clamp.Hose D.14	
29	145 0225 000	2	BEARING BALL 6006 2RS1	
30	145 2568 000	1	Flange	
31	145 2574 000	1	SPACER 17X33	
32	145 2575 000	1	SPACER 17X41	
33	145 0221 000	1	Hjul, Z17 3/8 7/32	
34	145 0222 000	1	Kæde 3/8	
35	145 9366 000	1	Klamma	
36	145 2576 000	1	PIN	
37	1466518000	1	BRAKE FRONT WHEEL SIP	
38	145 9604 000	1	Link 3/8	[2]
39	1464432000	1	Brush Carbon Kit 4Pcs	

Part Notes:

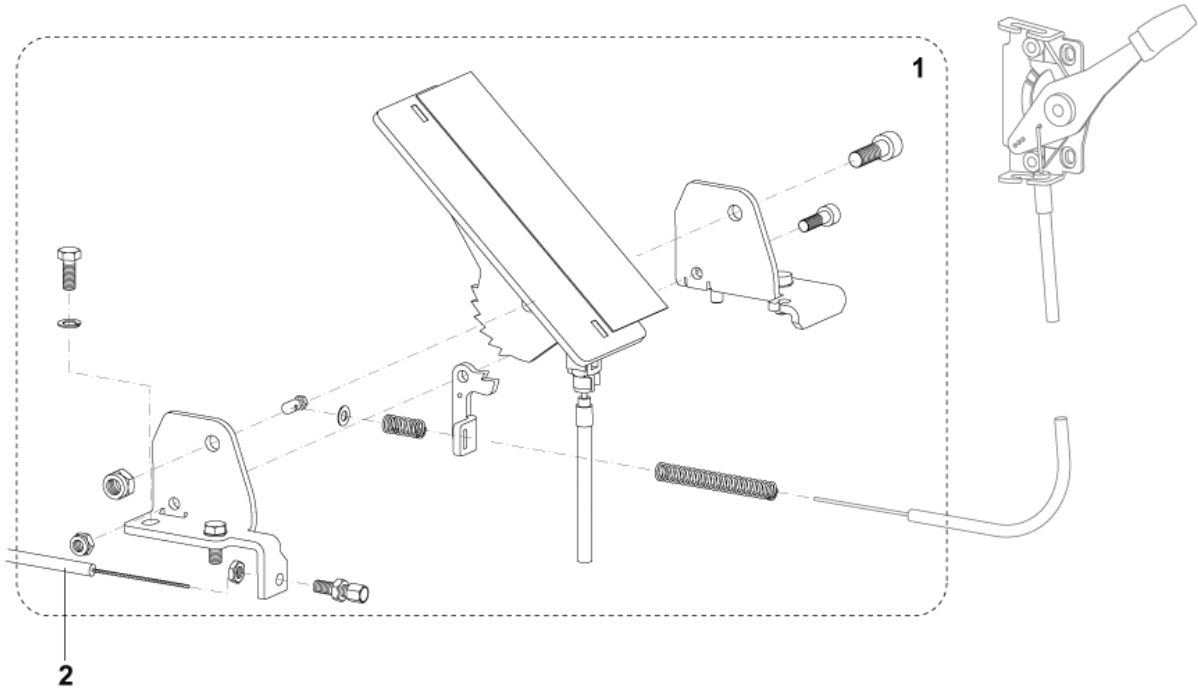
- [1] - NOT SHOWN - ITEM 1,2,3,5,6,7,8,10,11,12,13,14,15,16,17,18,20
 [2] - GUARANTEE DATE EXPIRED
 TILL S/N 06221124



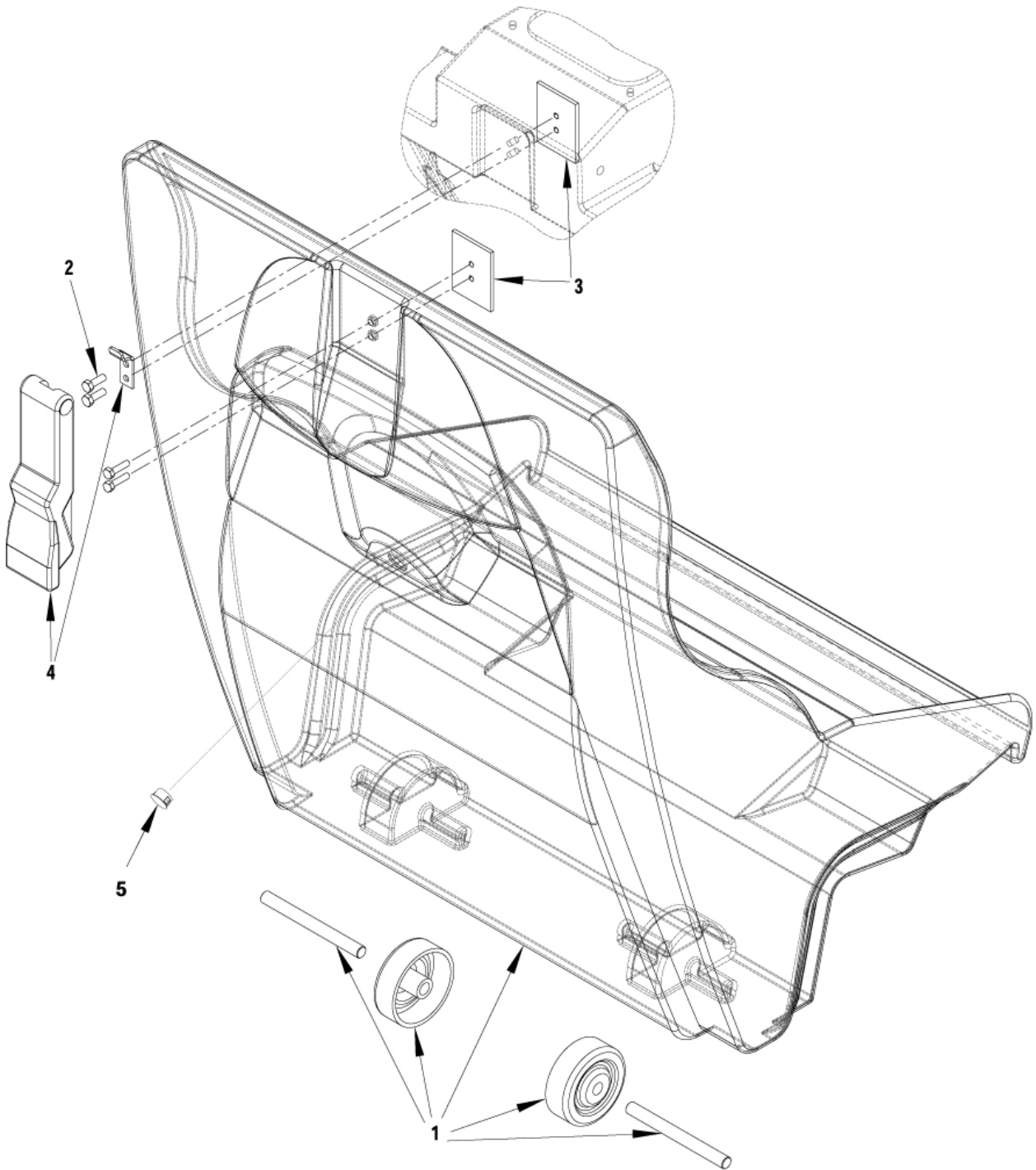
Pos.	Vare-nr	Antal	Beskrivelse	Notes
0	1467680000	1	BRAKE CABLE SIP	[1]
1	146 2542 000	1	Gaspedal kontrol kit	
2	146 2606 000	1	Potentiometer R 570 P	
3	146 2654 000	1	PEDAL BRAKE KIT FLOORTEC R 360	[2]

Part Notes:

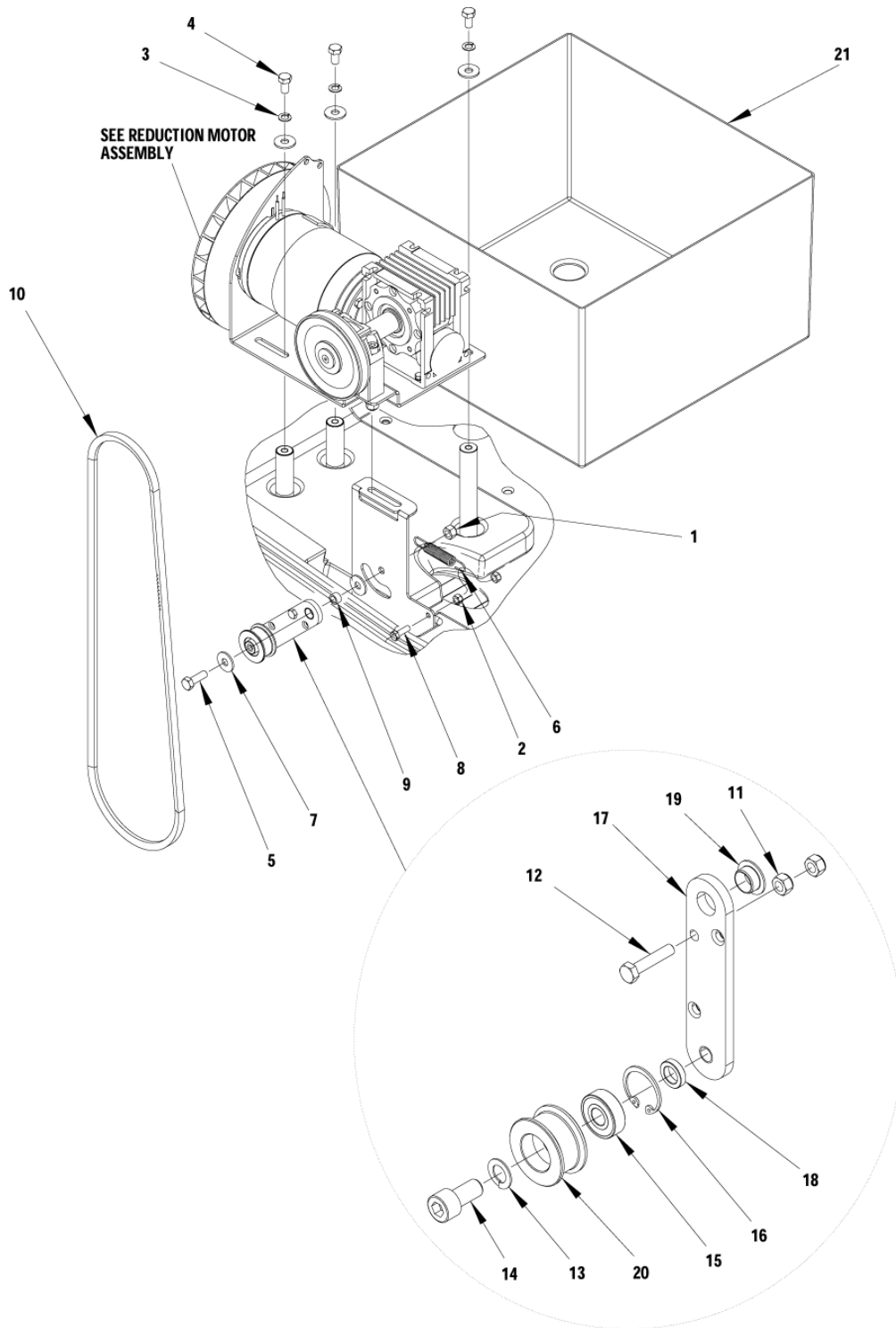
- [1] - NOT SHOWN
- [2] - GUARANTEE DATE EXPIRED



Pos.	Vare-nr	Antal	Beskrivelse	Notes
1	1464401000	1	PEDAL BRAKE KIT	
2	1467680000	1	BRAKE CABLE SIP	



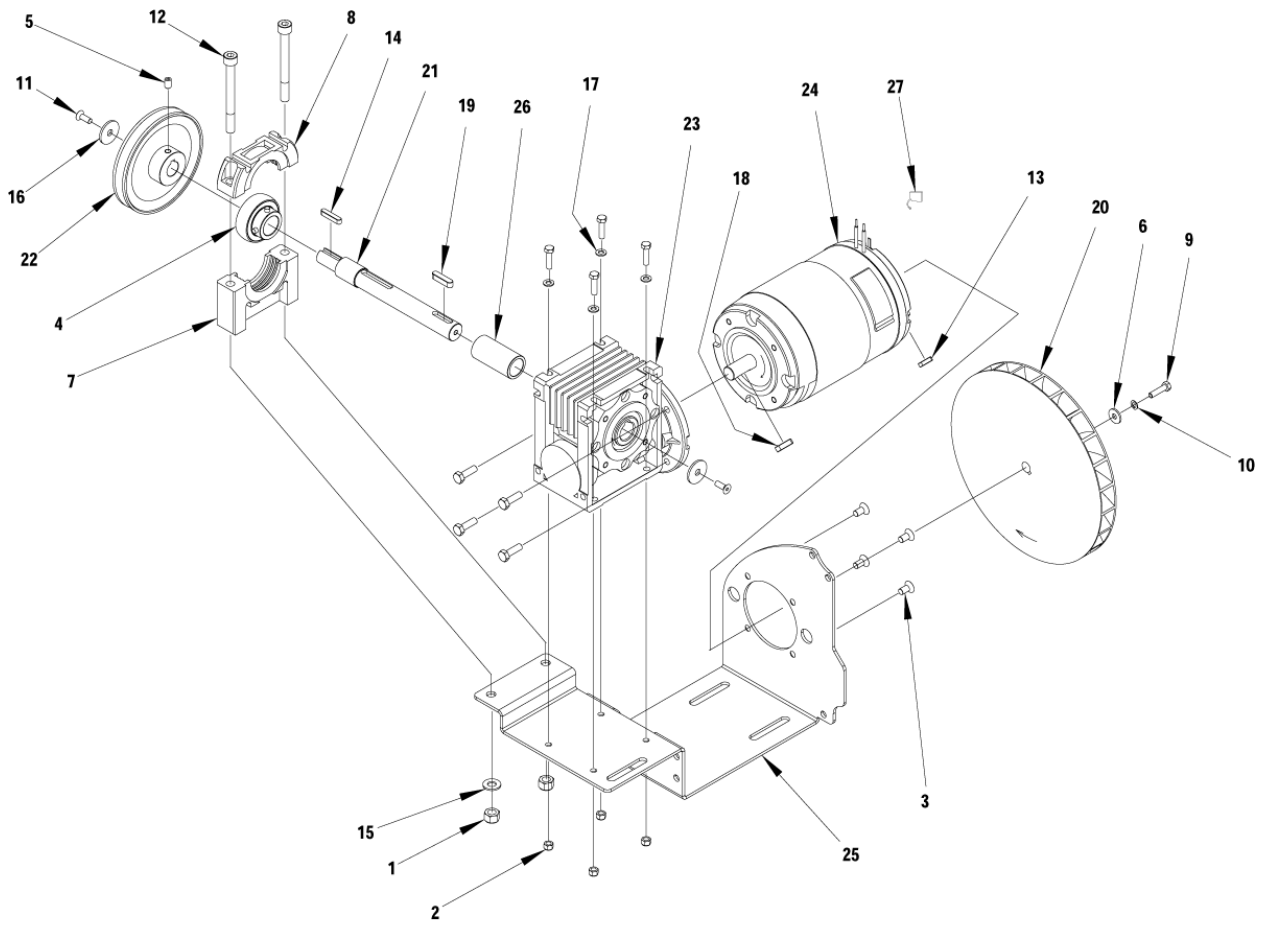
Pos.	Vare-nr	Antal	Beskrivelse	Notes
1	1466158000	1	CONTAINER WASTE BLACK ROTOMOULDED KIT	
2	33003963	4	SCREW M5X20 HEX HD F/THD ISO4017	
3	146 0562 000	2	Plate	
4	146 0520 000	1	Gummi Ophæng	
5	145 4259 000	1	Dæksel, Sort	



Pos.	Vare-nr	Antal	Beskrivelse	Notes
0	1464403000	1	HARDWARE TRANSMISSION KIT	[1]
6	146 3135 000	1	SPRING	
10	146 3136 000	1	BELT SPZX 1212	
21	146 1684 000	1	Batteri beholder	

Part Notes:

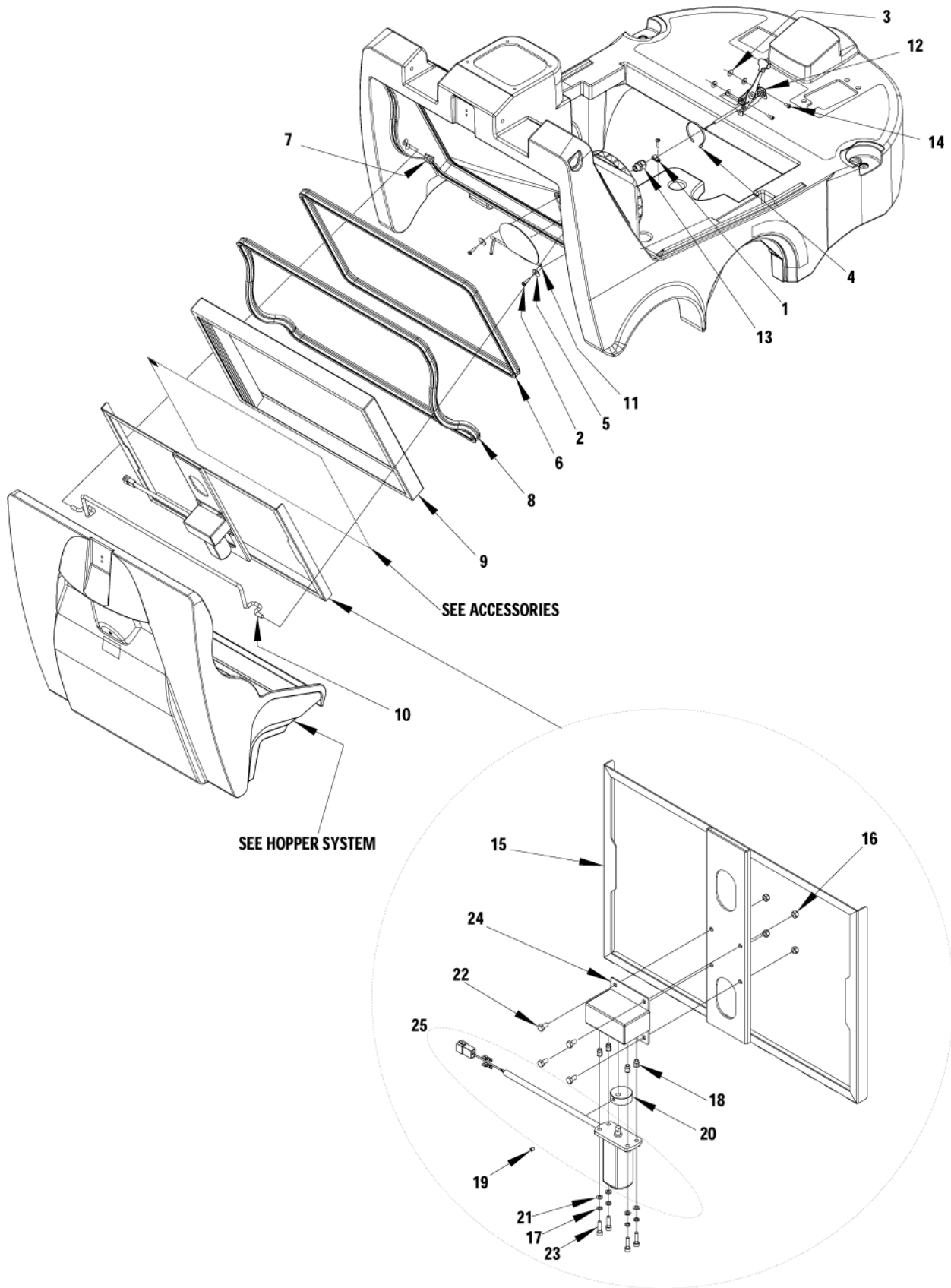
[1] - NOT SHOWN - ITEM: 1,2,3,4,5,7,8,9,11,12,13,14,15,16,17,18,19,20



Pos.	Vare-nr	Antal	Beskrivelse	Notes
0	1464404000	1	HARDWARE REDUCT.MOTOR KIT	[1]
4	145 1123 000	1	Kullager, Aw 400-Serien	
7	145 1976 000	1	Lejepande Aw	
8	145 1977 000	1	Support	
18	1466147000	1	KEY 5X5X20 UNI6604A PKD	
19	145 9899 000	1	KEY 6X6X25 UNI6604A	
20	146 0537 000	1	Blæserhjul	
21	146 0540 000	1	SHAFT TRANSMISSION	
22	146 1921 000	1	PULLEY	
23	1463249000	1	REDUCTION GEAR COMPLETE 5 1	
24	1467528000	1	MOTOR ELECTRIC 600W 24V SIP	
25	146 1924 000	1	PLATE. SUPPORTING	
26	146 1925 000	1	SPACER	
27	L08603949	1	Kul Kit 4 Stk	

Part Notes:

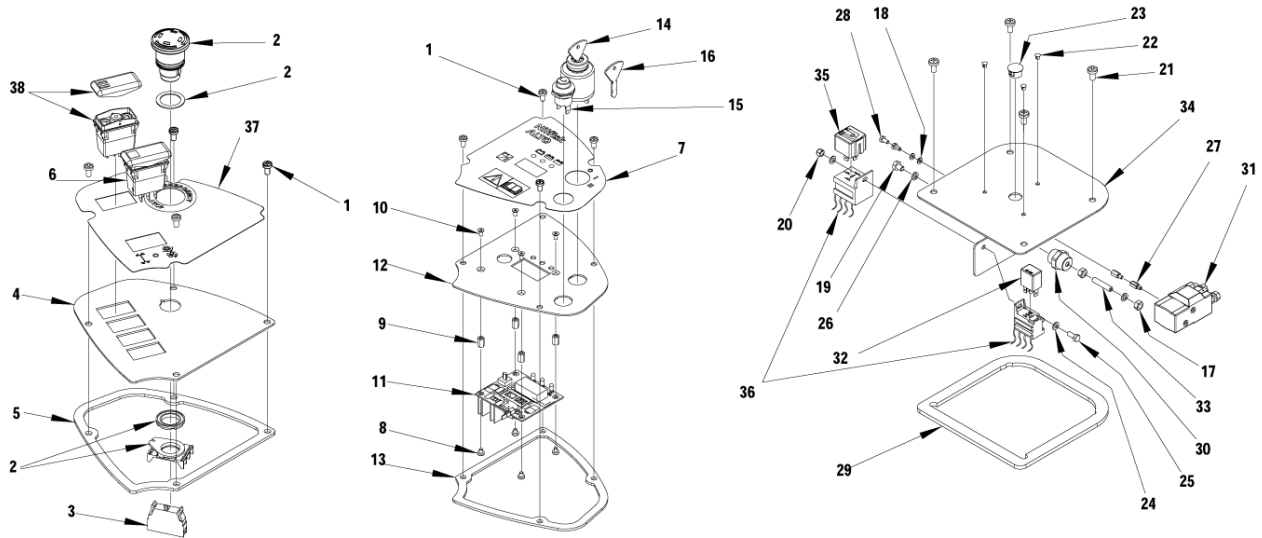
[1] - NOT SHOWN - ITEM: 1,2,3,5,6,9,10,11,12,13,14,15,16,17,18,19



Pos.	Vare-nr	Antal	Beskrivelse	Notes
0	146 1893 000	1	PRE-FILTER	
0	1464405000	1	HARDWARE DUST CONTROL KIT	[1]
6	146 0630 000	1	Pakning	
7	146 0661 000	1	GROMMET	
8	146 0741 000	1	Pakning	
9	146 1988 000	1	Filter polyester	
9	146 1888 000	1	Filter papir	
9	146 1989 000	1	Filter polyester antistatisk	
10	146 1889 000	1	Spænde For Filter	
11	146 1890 000	1	VALVE. THROTTLE	
12	146 1891 000	1	CABLE	[2]
13	146 1892 000	1	CLAMP CABLE	
15	146 1947 000	1	FRAME FOR PANEL FILTER	
20	1466857000	1	CAM F FILTER SHAKER KIT	
24	1466335000	1	BRACKET FILTER SHAKER SIP	
25	1466314000	1	MOTOR FILTER SHAKER 12W 24V KIT	

Part Notes:

- [1] - NOT SHOWN - ITEM: 1,2,3,4,5,14,16,17,18,19,21,22,23
 [2] - GUARANTEE DATE EXPIRED

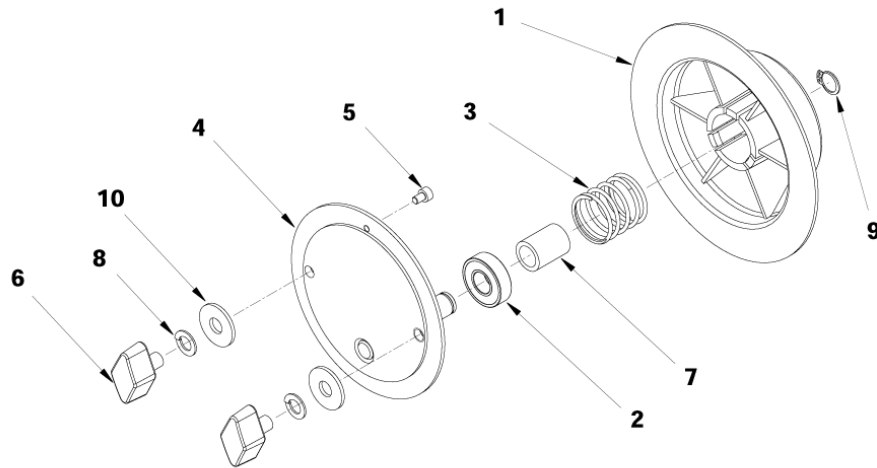


Pos.	Vare-nr	Antal	Beskrivelse	Notes
0	146 1902 000	1	HARNESS CONTROL PANEL	[1]
0	1464402000	1	HARDWARE CONTR. PANEL KIT	[2]
2	1466683000	1	SWITCH EMERGENCY KIT	
3	146 1728 000	1	Kontakt	
4	146 1930 000	1	CONTROL PANEL LEFT	
5	146 1932 000	1	GASKET CONTROL PANEL LEFT	
6	146 1935 000	1	Switch	
7	146 2370 000	1	DECAL CONTROL PANEL RT	
11	1466161000	1	CONTROLLER MAIN MACHINE KIT	[3]
12	146 1931 000	1	CONTROL PANEL RIGHT	
13	146 1933 000	1	GASKET CONTR. PANEL RIGHT	
14	33020442	1	Nøgleafbryder M. Nøgle	
15	145 9678 000	1	SWITCH HORN	
16	1467014000	1	KEY F STARTER SWITCH 2 PCS SET	
23	145 8008 000	1	PLUG DOME PLASTIC BLACK D.18.2	
29	146 0697 000	1	GASKET ADHESIVE F CONTR. PANEL	
30	146 0708 000	1	INSULATOR M6 WHITE	
31	146 0719 000	1	Relæ, Ba410	
32	146 1646 000	1	Relay 24V	
33	146 1678 000	1	SCREW GRUB M6X30 CUP POINT ISO4029	
34	146 2419 000	1	CONTROL PANEL	
35	145 3712 000	1	Relæ, 24V	
36	146 1903 000	1	HARNESS REAR CONTROL PAN.	
37	146 2371 000	1	DECAL CONTROL PANEL LT	
38	146 2655 000	1	Switch	

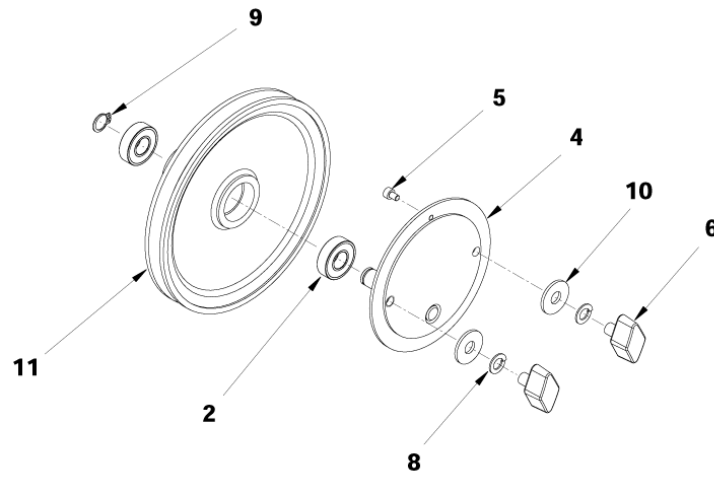
Part Notes:

- [1] - NOT SHOWN
- [2] - NOT SHOWN - ITEM: 1,8,9,10,17, 18,19,20,21,22,24,25,26,27,28
- [3] - INSTALLATION INSTRUCTIONS 1465914000

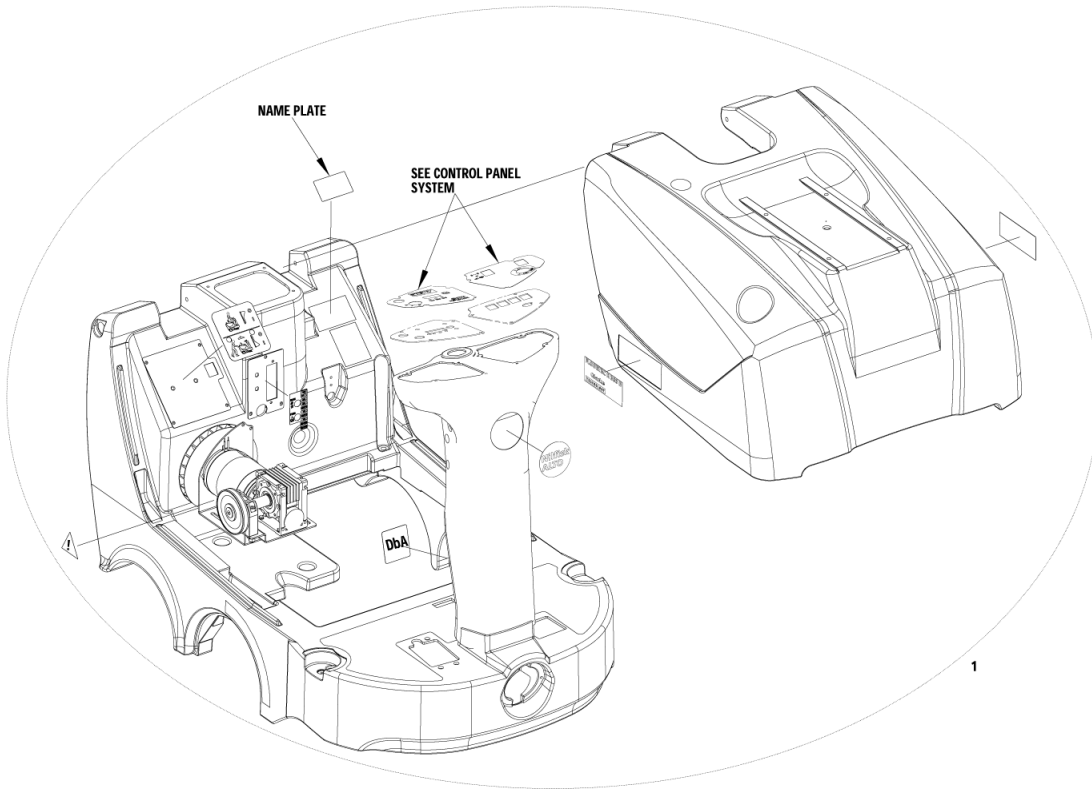
Left hub assembly



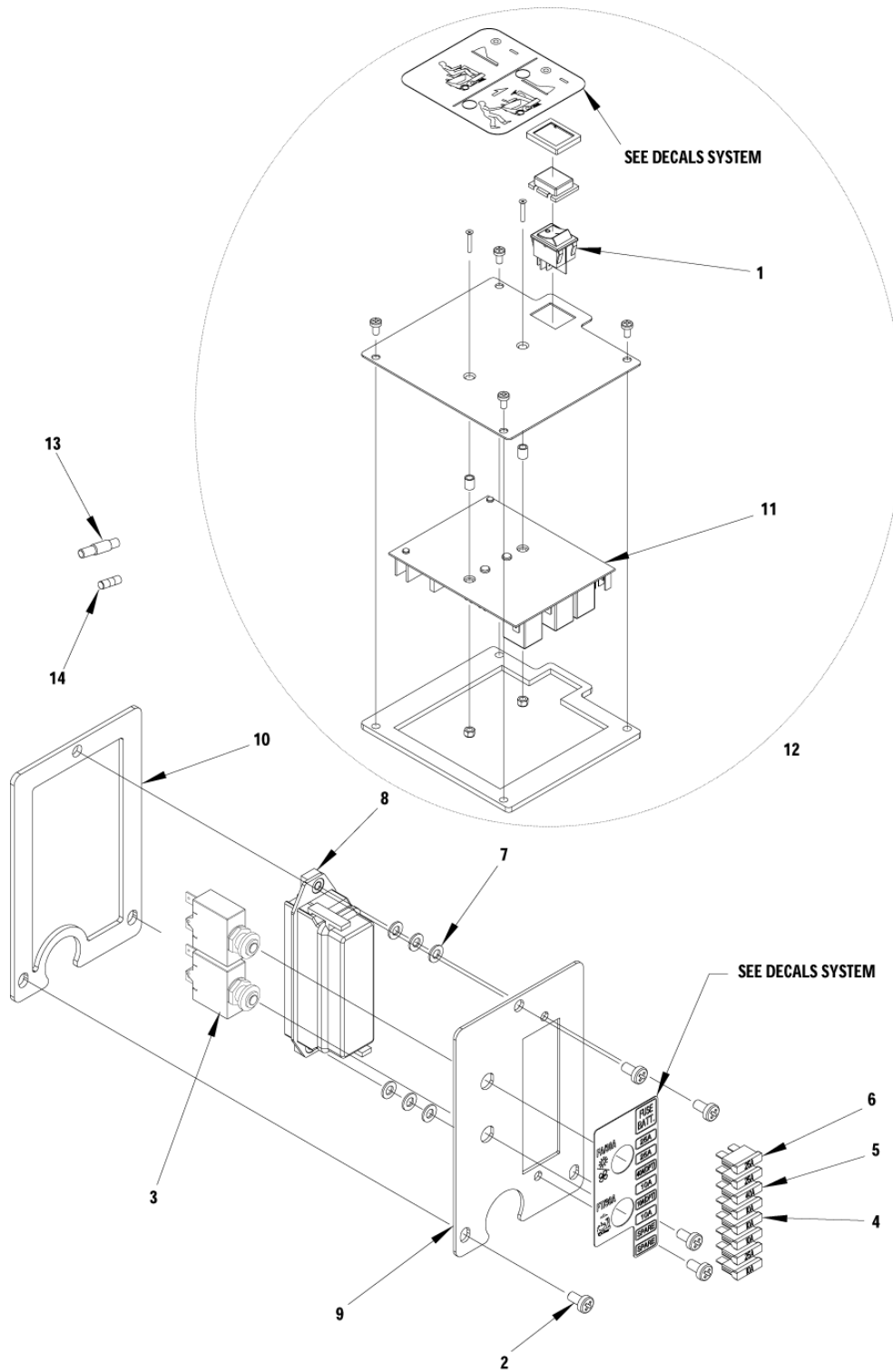
Right hub assembly



Pos.	Vare-nr	Antal	Beskrivelse	Notes
1	1467023000	1	HUB LEFT MAIN BROOM PKD	
2	44905699	3	BEARING BALL 6001 2RS PKD	
3	1467024000	1	SPRING PKD	
4	145 0272 000	2	Stift	
5	33004305	2	Skrue M4X6 UNI5931	
6	145 1211 000	4	Knob M 8X 12	
7	145 2663 000	1	Spacer D.12Xd.17X22,5	
8	33023223	1	WASHER SPRING LOCK M8 DIN127B 10 PCS SET	
9	33006051	2	Ring D 12 UNI7435	
10	33023660	5	WASHER PLAIN M8X24X2 ISO7093 5 PCS SET	
11	145 2617 000	1	Remskive	



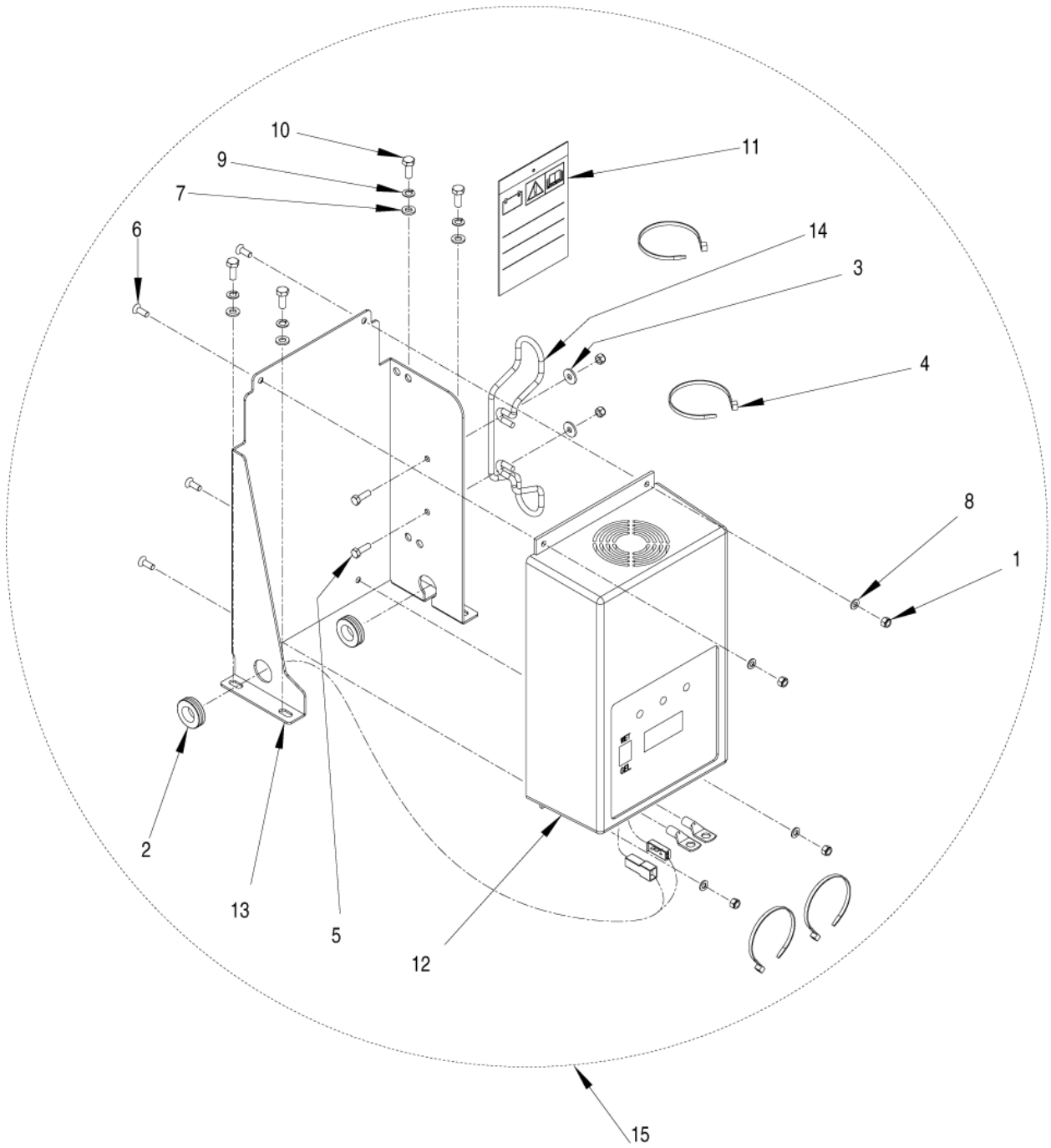
Pos.	Vare-nr	Antal	Beskrivelse	Notes
1	1466748000	1	DECALS FLOORTEC R 360 B KIT	



Pos.	Vare-nr	Antal	Beskrivelse	Notes
0	146 1986 000	1	Ladestik Rød 120A	[1]
1	909 5668 000	1	Switch Komplet	
2	L08603041	4	Skrue M5X10 F/Ca340 F/Sugemundstk.	
3	909 5706 000	2	Sikring 30A	
4	1467034000	3	FUSE BLADE 10A SIP	
5	145 0227 000	1	Sikring 40 A, Autosikring	
6	145 8514 000	2	Sikring 25A	
7	33023195	1	WASHER PLAIN M5 ISO7089 10 PCS SET	
8	146 1170 000	1	Holder Fuse 8 Ways	
9	146 1952 000	1	PANEL. ELECTR.COMPONENTS	
10	146 1953 000	1	GASKET	
11	1466175000	1	CONTROLLER DRIVE WHEEL PKD	
12	1466175000	1	CONTROLLER DRIVE WHEEL PKD	
13	146 2243 000	1	HOLDER FUSE	

Part Notes:

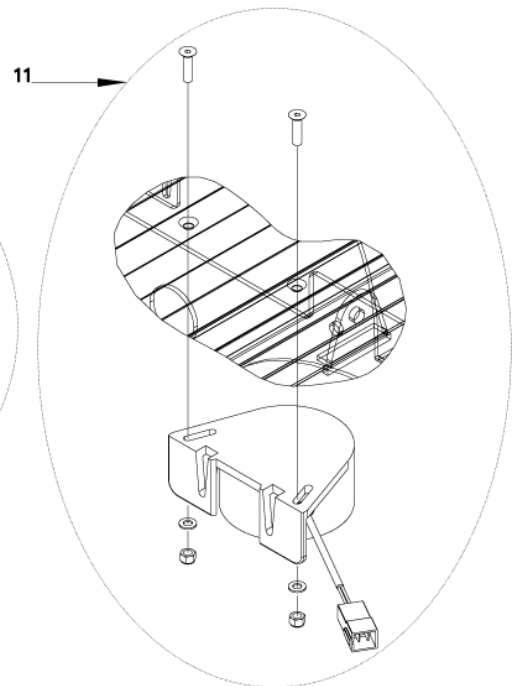
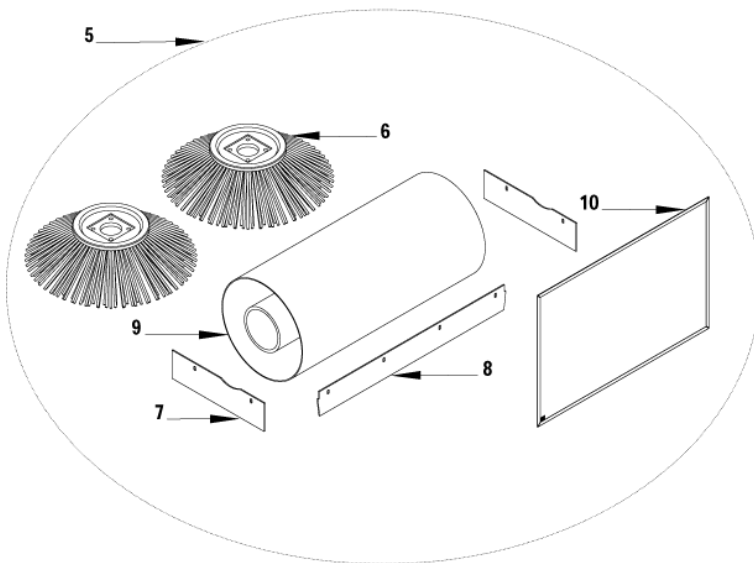
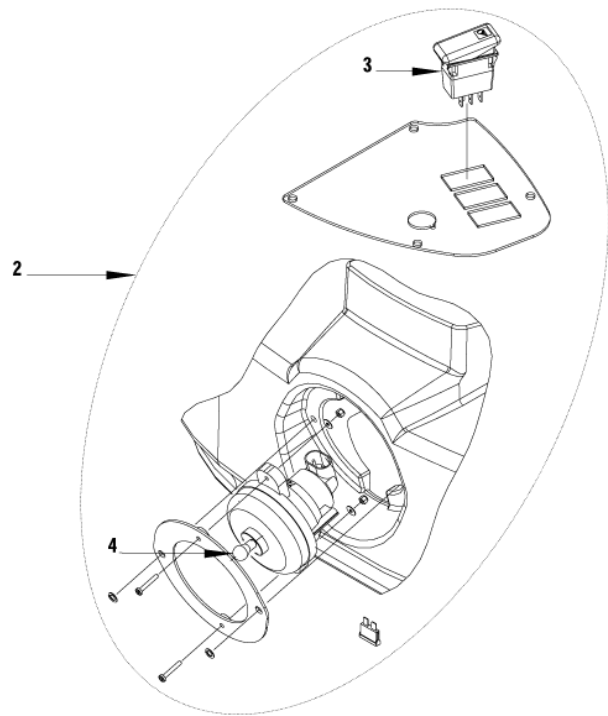
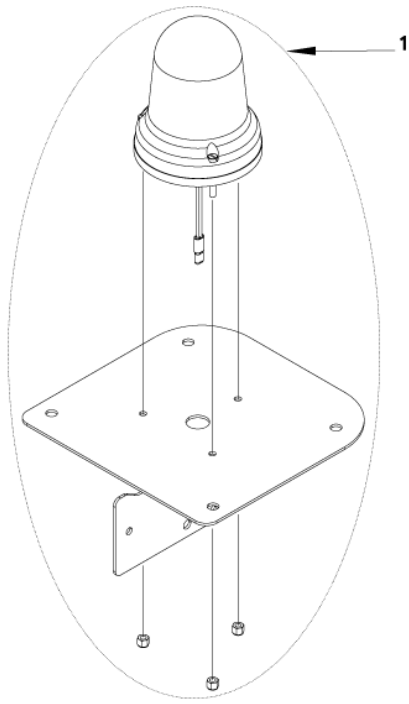
[1] - NOT SHOWN



Pos.	Vare-nr	Antal	Beskrivelse	Notes
0A	145 1726 000	1	FUSE 10A	[1]
0A	146 0801 000	1	SWITCH WET/GEL	[1]
0A	146 2139 000	1	CARD ELECTRONIC BATTERY CHARGER	[1]
0A	146 2142 000	1	FAN COOLING	[1]
0A	1466172000	1	CONTROLLER DISPLAY SIP	[1]
0A	146 2144 000	1	CABLE	[1]
0B	1465917000	1	HARDWARE BATTERY CHARGER KIT	[2]
0	1466318000	1	CABLE EXTENSION UK PLUG L.2000MM SIP	
0	9100000787	1	CABLE EXTENSION EU PLUG L.2000 PKD	[3]
1A	33023194	1	NUT LOCK HEX M5 LOW ISO10511 10 PCS SET	
2A	145 1237 000	2	GROMMET D.22	
3A	1467686000	1	WASHER PLAIN M5X15 ISO7093 10 PCS SET	
4A	145 1449 000	4	TIE CABLE 3.6x140 BLACK	
5A	33003962	2	SCREW M5X16 HEX HD F/THD ISO4017	
6A	33004562	4	SCREW M5X14 C/SUNK FLAT HD HEX ISO10642	
7A	33023396	1	WASHER PLAIN M6X12 ISO7089 10 PCS SET	
8A	33023195	1	WASHER PLAIN M5 ISO7089 10 PCS SET	
9A	33005851	4	Skive M6 Uni1751B	
10A	33023255	1	SCREW M6X16 HEX ISO4017 10 PCS SET	
12A	146 2131 000	1	Charger Battery 230V Cpl.	[4]
13A	146 2311 000	1	BRACKET	[4]
15A	146 2052 000	1	Indbygget oplader 24V 25A	[5]
12B	1466315000	1	CHARGER BATT. ON BOARD 24V 13A 230V SIP	[6]
14B	1466317000	1	SUPPORT CABLE KIT	[7]
15B	1464527000	1	Indbygget oplader 24V 13A	[8]

Part Notes:

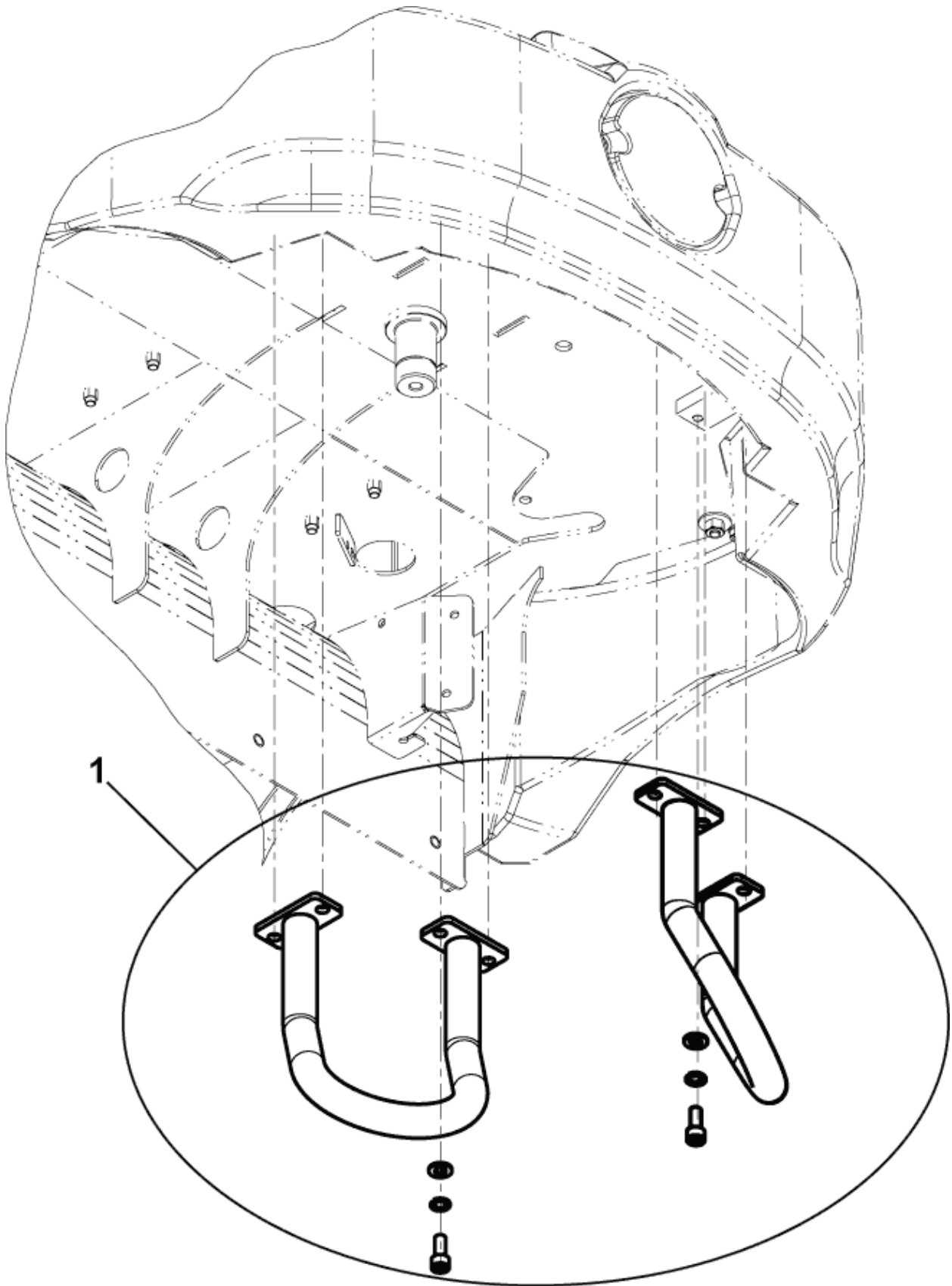
- [1] - NOT SHOWN - BEFORE SN 3810143800004 - FOR 146 2131 000
- [2] - NOT SHOWN - FROM SN 3810143800004 - FOR 1466315000
- [3] - FROM SN 3810143800004 F 1466315000
- [4] - ONLY BEFORE SN 3810143800004
- [5] - OPT. BEFORE SN 3810143800004 - INST. INSTR. 146 2055 000
- [6] - STARTING FROM SN 3810143800004
- [7] - ONLY FROM SN 3810143800004
- [8] - OPT. STARTING FROM SN 3810143800004 - INST. INSTR. 1464529000



Pos.	Vare-nr	Antal	Beskrivelse	Notes
1	146 2659 000	1	Advarselsblink kit	
2	146 2663 000	1	Kørellys	
3	146 1974 000	1	Kontakt	
4	145 5518 000	1	LAMP 24V 21W	
5	146 2102 000	1	Tæppe kit	
6	145 4976 000	1	Sidekost til tæpper/naturfiber	[1]
7	146 0587 000	1	Sværtefrit skørt, side	
8	146 0743 000	1	Sværtefrit skørt, bag	
9	146 0753 000	1	Fejevalse til tæpper/naturfiber	[1]
10	146 1893 000	1	PRE-FILTER	
11	146 2661 000	1	Bakalarm	

Part Notes:

[1] - PI 2015-001 TTY



Pos.	Vare-nr	Antal	Beskrivelse	Notes
1	146 2876 000	1	Beskyttelsesbøjle til sidekost	

