

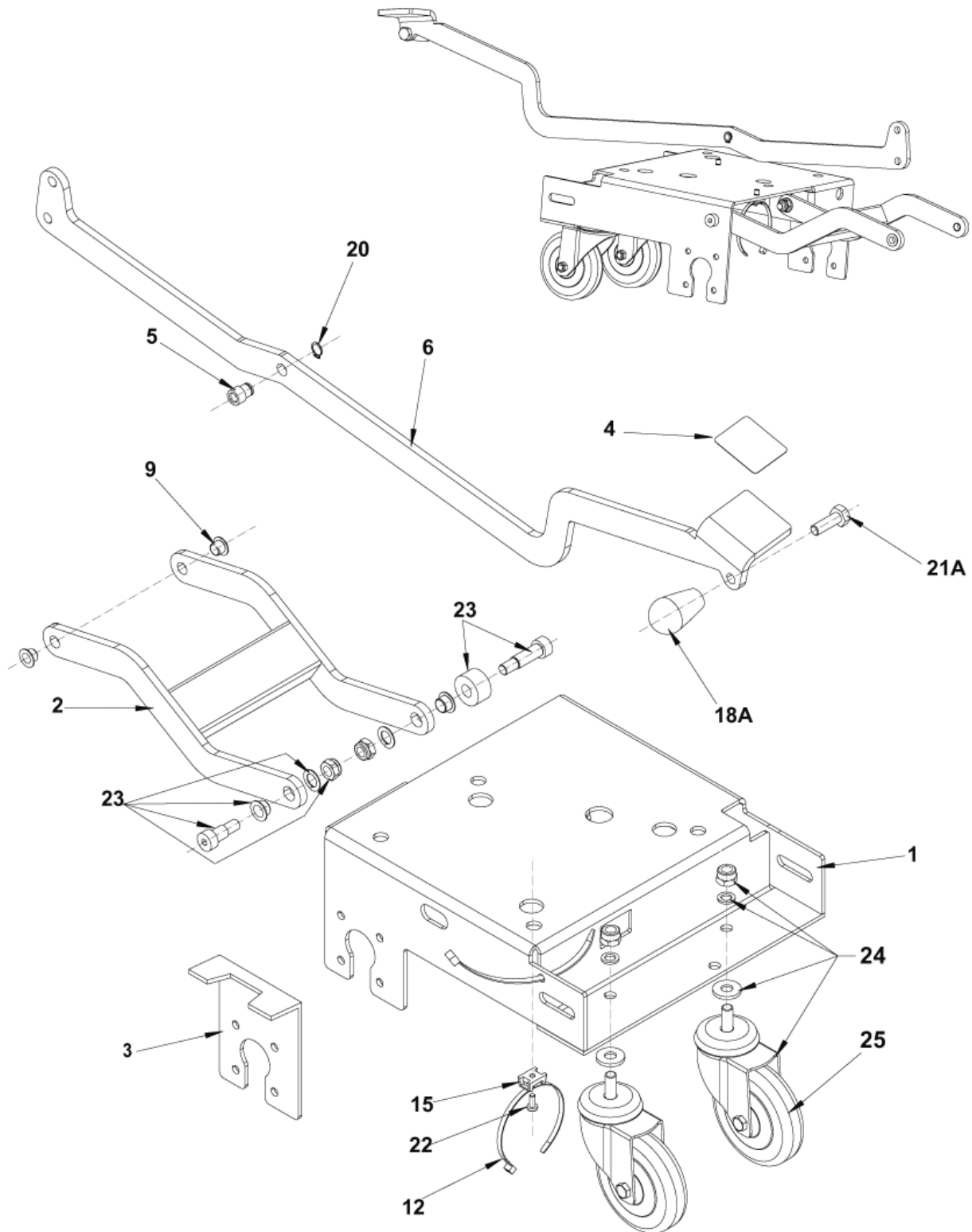
PARTS LIST



2017.06.07

TABLE OF CONTENTS

Chassis system	1
Wheels and traction	3
Handle assembly - BA 451 D - 531 D	5
Solution system	7
Squeegee system	9
Brush system - BA 451 - BA 531	11
Brush system - BA 451 D - BA 531 D	13
Accessories brushes	15
Control panel system - BA 451 - 531	17
Control panel system - BA 451 D - 531 D	19
Electrical components - BA 451 - 531	21
Electrical components - BA 451 D - 531 D	23
Accessories Extra pressure-Splash guards	25
Solution tank	27
Accessories Battery Charger	29
Accessories Ecoflex system	31
Wiring diagram - BA 451 - 531	33
Wiring diagram - BA 451 D - 531 D REV.C	35
Recommended spare parts 1	37
Recommended spare parts 2	39
Optionals	41
Recovery tank	43



Resource notes:

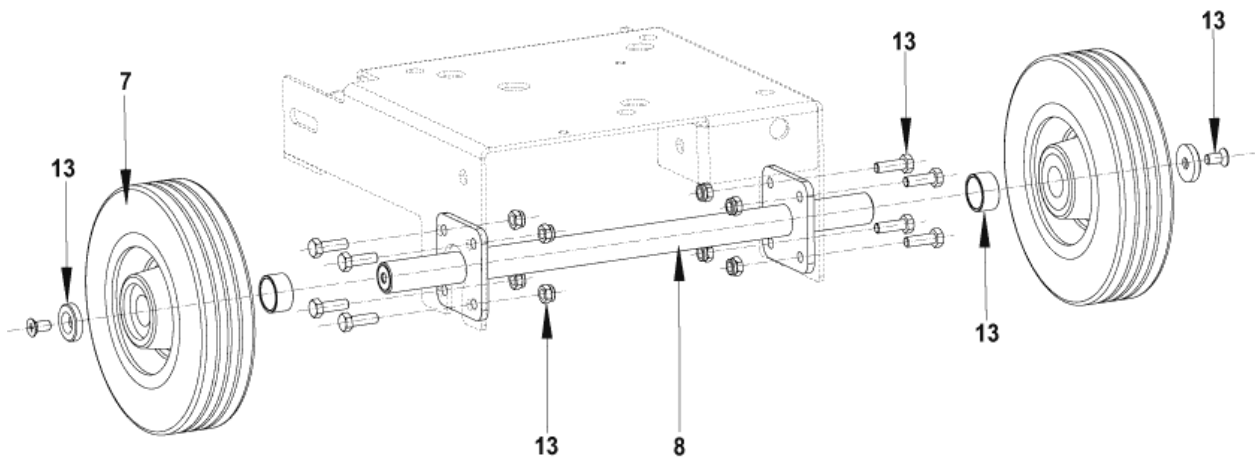
A: ONLY FOR BA 451 D / BA 531 D B: ONLY FOR BA 451 / BA 531

Pos.	Vare-nr	Antal	Beskrivelse	Notes
1	909 6482 000	1	Chassis	
2	909 6486 000	1	Børstedæk Ophæng BA 551Cd	
3	9098587000	1	SUPPORT LEFT FOR WATERTANK KIT	[1]
4	909 6539 000	1	MAT.ANTISKID	
5	909 6540 000	1	BUSH FLANGED	
6	909 6549 000	1	Pedal. Brush Lifting	
7	909 6594 000	3	BEARING FLANGE IGLIDUR GFM-1012-09	
12	1466344000	1	TIE CABLE 4.8x200 BLACK 10 PCS SET	
15	909 6595 000	1	HOLDER.FLAT TIE	
18A	909 6621 000	1	Knob	[2]
20	33006051	1	Ring D 12 UNI7435	
21A	33004010	1	SCREW M10X30 HEX HD F/THD ISO4017	
22	909 6337 000	1	SCREW M5X12 PAN HD PHIL ISO7045	
23	909 6878 000	1	Hardware Chas. Fixing Kit	
24	909 6880 000	2	Castorhjul Kit	[3]
24	9098619000	2	Hjul Ø100 PU SS (1 stk. m. bolt)	[4]
25	909 6880 000	2	Castorhjul Kit	
26	9100000335	1	STRAP ANTISTATIC KIT	[5]

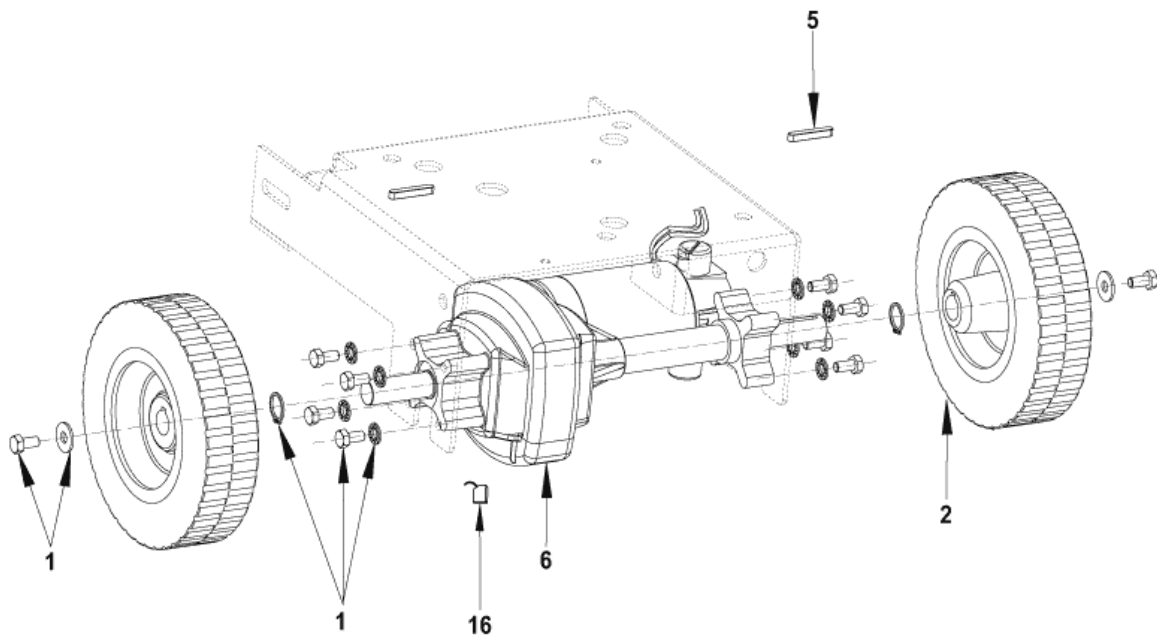
Part Notes:

- [1] - ONLY FOR DRIVE VERSIONS - SEE INST. INSTR. 9098588000
- [2] - FOR SCRUBBER WITH DRIVE
- [3] - SEE TSB-FC-2015-020
- [4] - OPTIONAL
- [5] - NOT SHOWN

**SENZA TRAZIONE / WITHOUT TRACTION
(BA 451 / BA 531)**



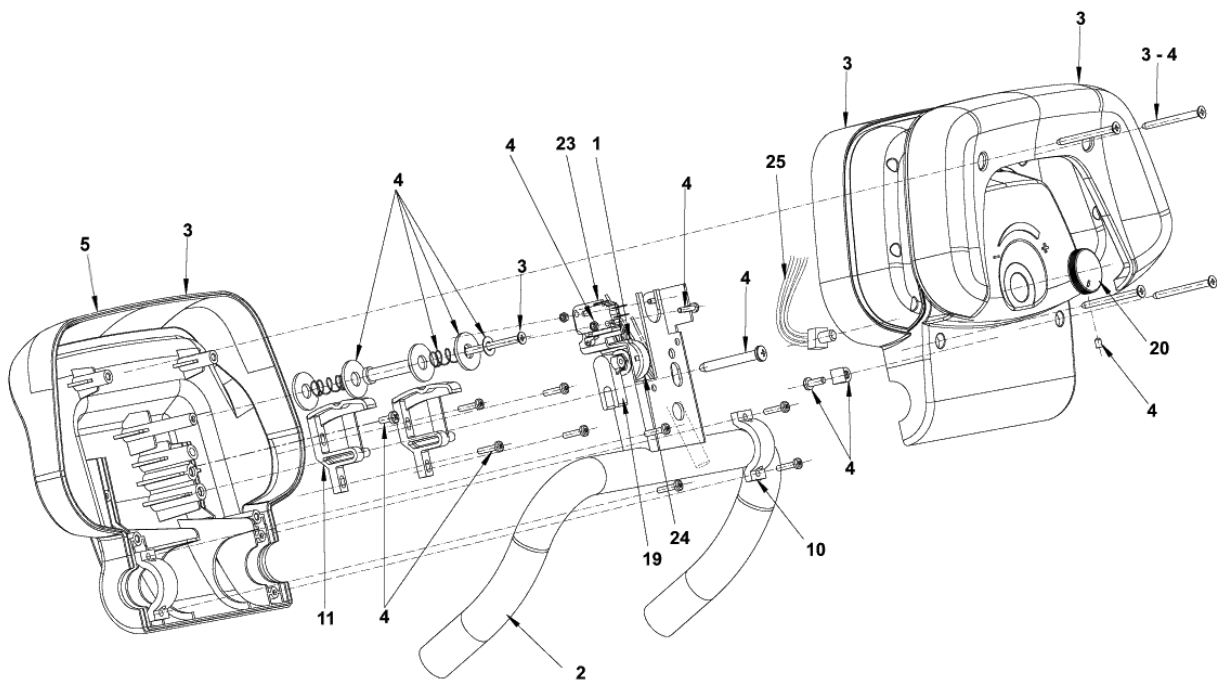
**CON TRAZIONE / WITH TRACTION
(BA 451 D / BA 531 D)**



Pos.	Vare-nr	Antal	Beskrivelse	Notes
1	9098298000	1	HARDWARE DRIVE WHEELS KIT	
2	9097032000	2	Trækjul, olieresistente, Ø200 mm	[1]
2	9099204000	2	Hjul Poly65 D.200X50	
5	146 0769 000	2	KEY 6X6X40 UNI6604A	
6	909 6548 000	1	Køremotor 200W 24V Ba450/551/611	
7	9097167000	2	WHEEL FRONT D.200 65SH	[1]
7	9099743000	1	WHEELS FRONT D.200 KIT	[2]
8	9100002134	1	SHAFT WHEELS PHOS. SIP	
13	9098299000	1	HARDWARE WHEELS KIT	
16	145 5124 000	2	Kul F. Aw 455 Børstemotor	

Part Notes:

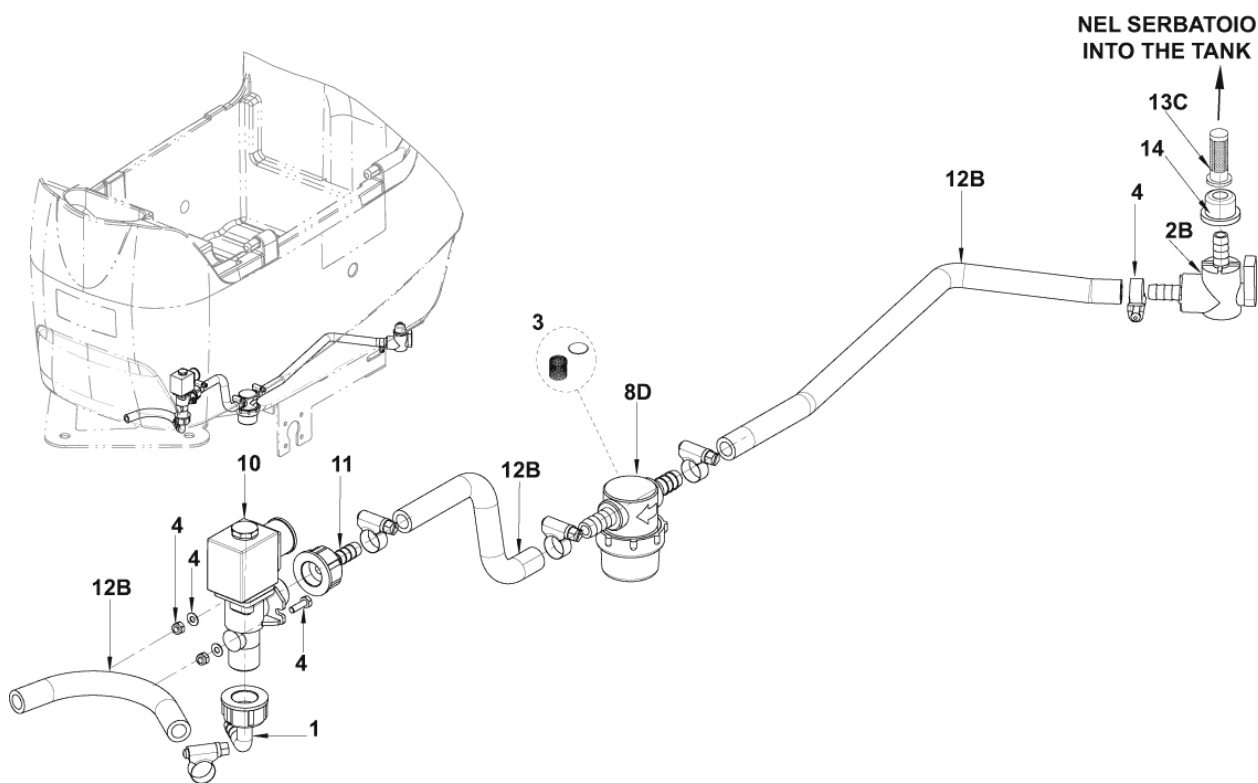
- [1] - OPTIONAL
 [2] - Contains 2 wheels



Pos.	Vare-nr	Antal	Beskrivelse	Notes
1	909 6578 000	1	HARNESSE HANDLE BAR DRIVE	
2	909 6653 000	1	HANDLE BAR	
3	9097622000	1	Håndtagskit Ba611 Mf.	
4	9098300000	1	Hardware Handle Assembly	
5	9098792000	1	Housing Switch Lower Kit	[1]
10	L08812279	2	Clamp Ba450/530	
11	L08812282	2	Cam Controller Ba450/530	
19	909 6038 000	1	Gaffel Potentiometer Ba450/530	
20	909 6471 000	1	Knob, Potentiometer	
23	9100000792	1	MICROSWITCH 16A 250V PKD	
24	9100001062	1	POTENTIOMETER 5K 40 PKD	
25	909 6544 000	1	Harness Potentiometer	

Part Notes:

[1] - SEE TSB-IT 2010-060

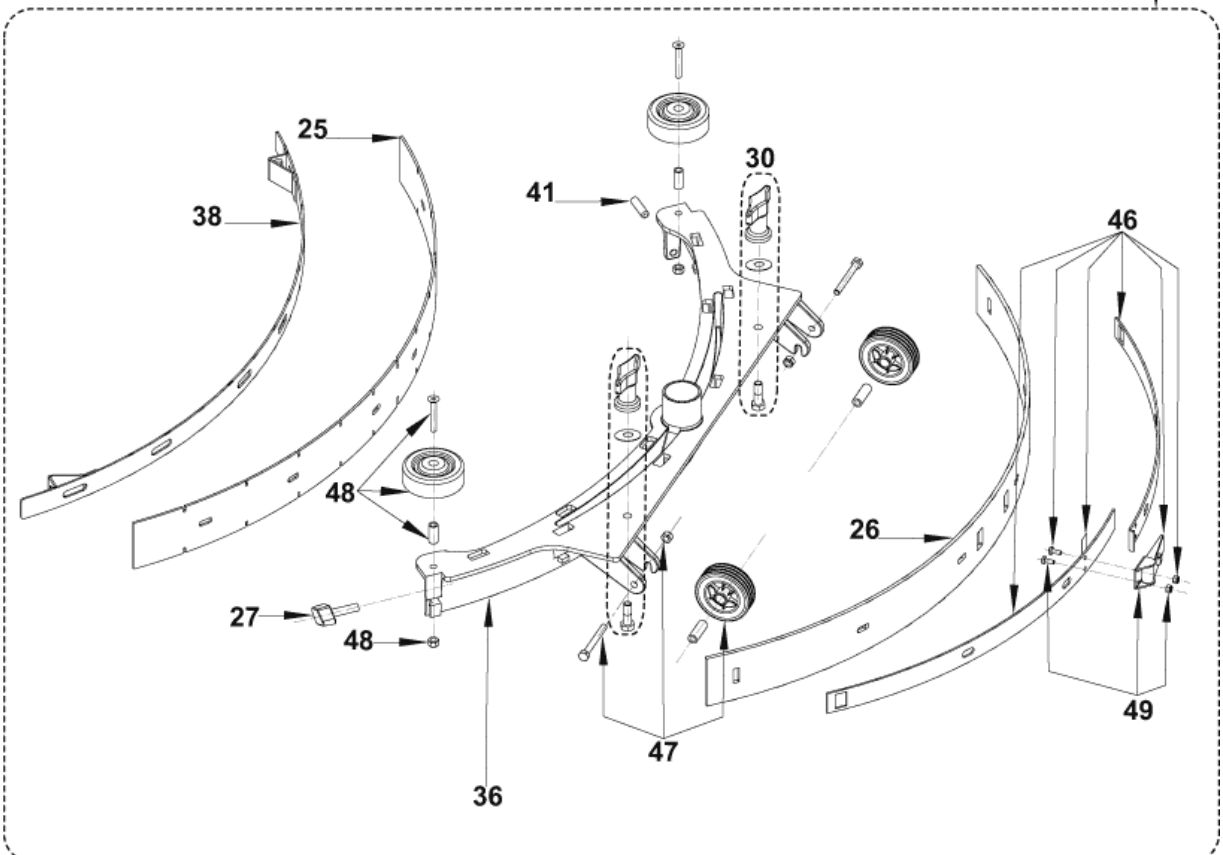
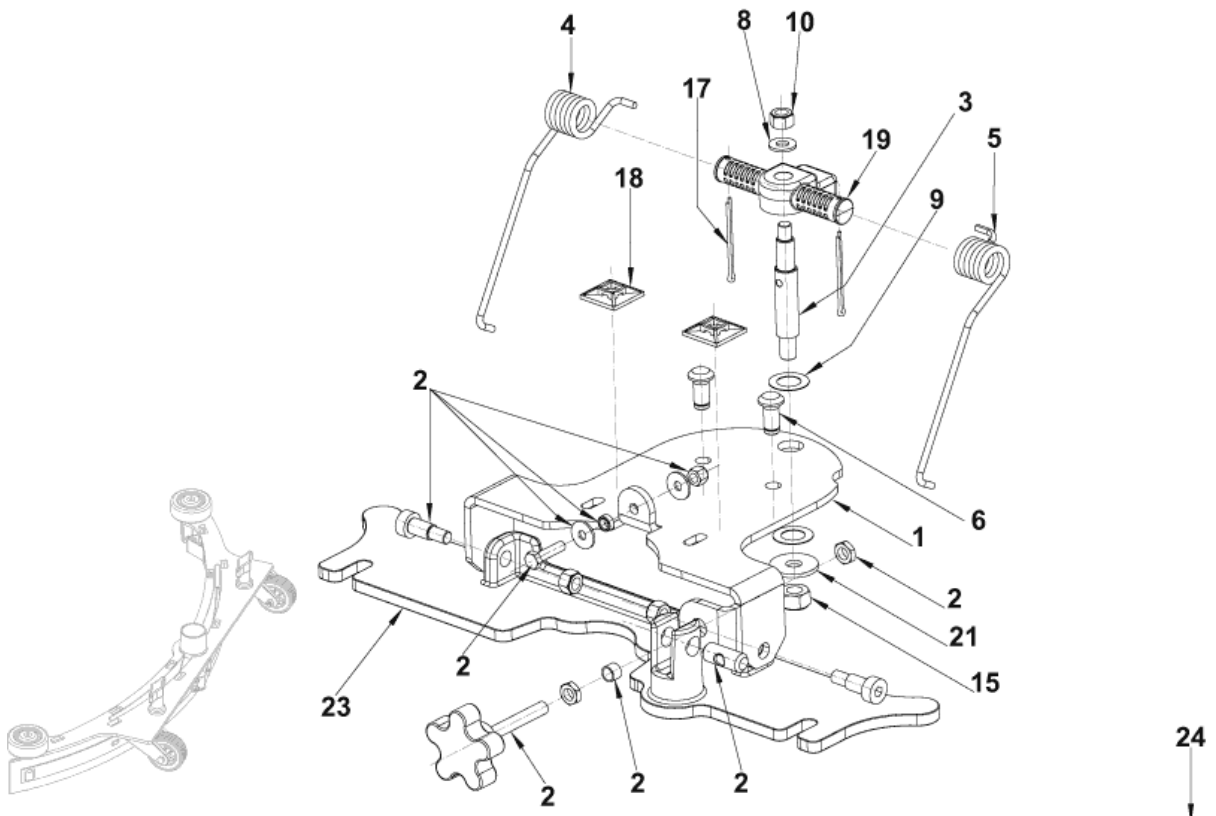


Pos.	Vare-nr	Antal	Beskrivelse	Notes
00B	909 6896 000	1	Pipes Solenoid Valve Kit	[1]
1	9098777000	1	Vinkel	
2B	9096994000	1	Valve Elbow	[2]
3	L08603893	1	Filternet+Pakn. Til 909 5151 000	
4	9098301000	1	HARDWARE SOLUTION SYSTEM KIT	
8D	9097166000	1	Filter Complete Kit	[3]
10	909 6555 000	1	Solenoid Valve 24V	
11	9100000106	1	HOLDER RUBBER 1/2 FEMALE KIT	
12B	9096995000	1	Valve Elbow W/Pipes Kit	[2]
13C	9100001353	1	FILTER SOLUTION TANK PKD	[4]
14	909 5286 000	1	Pakning BA 410	

Part Notes:

- [1] - NOT SHOWN - SEE TSB IT 2007-027a
- [2] - SEE TSB IT 2007-027a
- [3] - SEE TSB IT 2007-021
- [4] - OPTIONAL

SEE TSB IT 2007-015



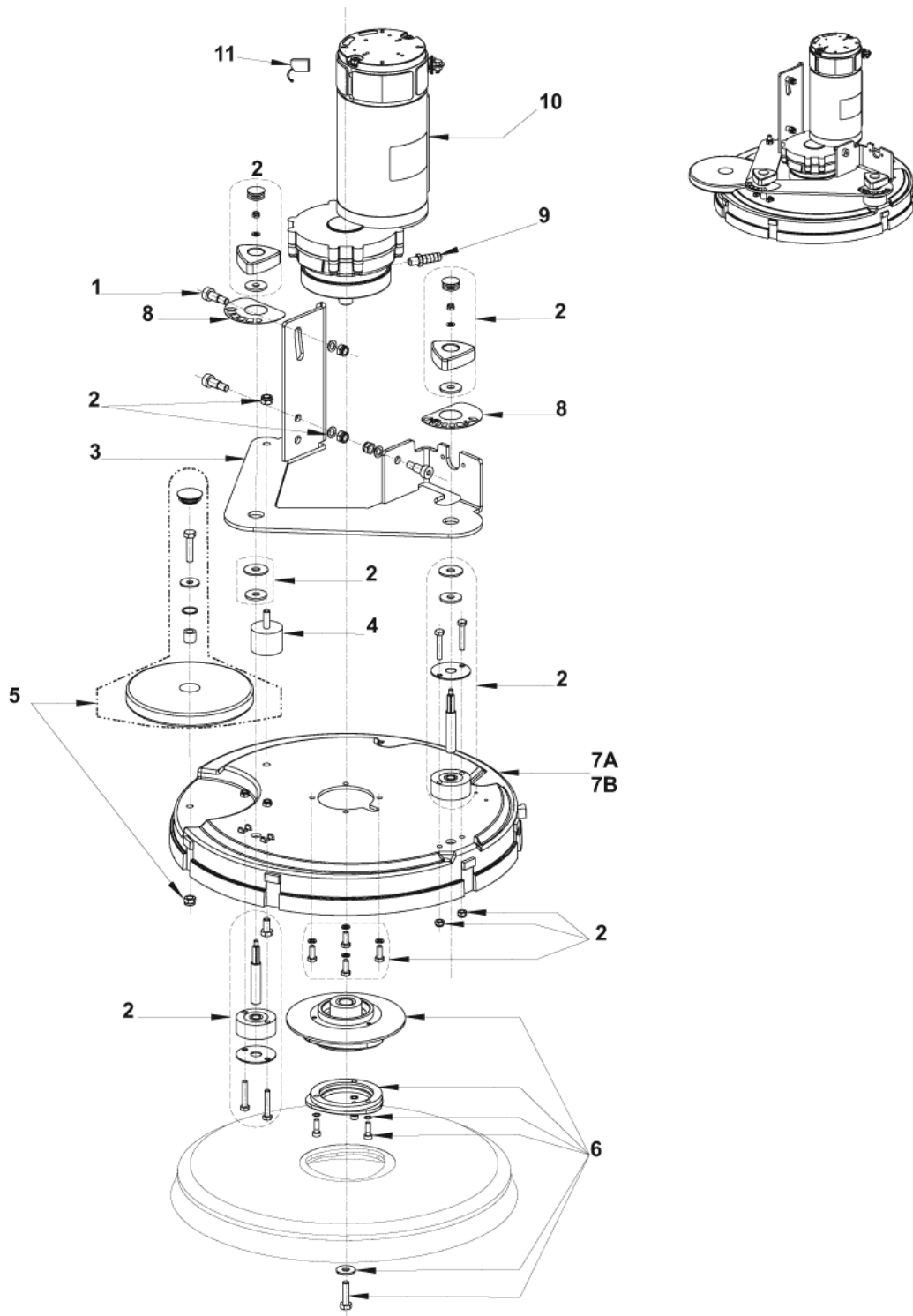
Resource notes:

POSITION 25-26: 909 6483 000 - 909 6484 000 INCLUDED IN THE KIT 909 6860 000

Pos.	Vare-nr	Antal	Beskrivelse	Notes
00	910000279	1	Sugegummi kit sværtefri 29" 740 mm	[1]
00	9097548000	1	Pakning, Nylon Kit Til Skviser	[2]
1	909 6494 000	1	Bracket, Squeegee Support	
2	909 6885 000	1	Squeegee Justeringskit Ba451-551	
3	909 6497 000	1	Bolt, Squeegee	
4	909 6537 000	1	Fjeder Til Squeegee	
5	909 6538 000	1	Fjeder Til Squeegee	
6	909 6543 000	2	Pin, Squeegee Fixing	[3]
8	33023208	1	WASHER M8 UNI6592 10 PCS SET	
9	L08238300	2	Skive	
10	33023574	1	NUT LOCK HEX M8 ISO10511 PCS 10 SET	
15	33005608	1	Møtrik M10 Uni7474	
17	33005758	2	Split Til Sugefod	
18	909 6635 000	2	Holder	
19	9100000515	1	SUPPORT SQUEEGEE SPRING PKD	
21	L08604251	1	Disc 10,5 Ba340/450/530	
23	909 6045 000	1	Beslag Til Sugefod	
24	909 6851 000	1	Sugefod, komplet	
27	9100000791	1	KNOB M8X30 THD STUD SS PKD	
30	9097637000	2	Monteringskrue (2 Stk)	
36	909 6044 000	1	"Sugefod 30" Kun Metaldel "	
38	909 6055 000	1	Holder For Sugegummi	
41	909 6600 000	1	SCREW GRUB M8X30 CUP POINT SS ISO4029	
46	909 6882 000	1	Skinnekit	
47	909 6883 000	2	Hjul For Squeegeerkit	
48	909 6884 000	2	Påkørselshjul, Kit	
49	909 6394 000	1	Latch Squeegee Kit	

Part Notes:

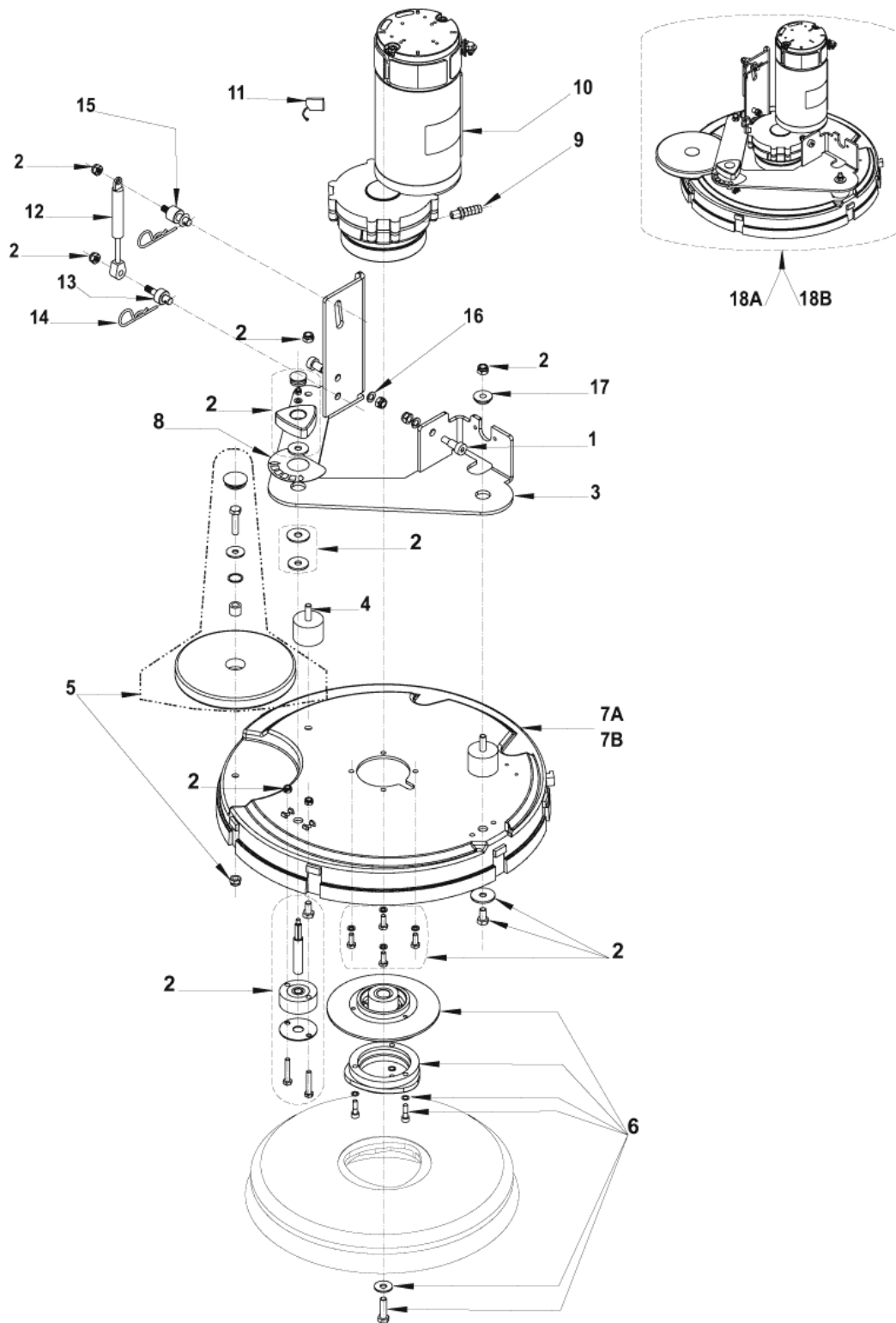
- [1] - INCL.POS.: 25-26
- [2] - NOT SHOWN - SEE TSB IT 2007-031
- [3] - STOCK COVERS GUARANTEE



Pos.	Vare-nr	Antal	Beskrivelse	Notes
00	9097599000	1	Beskyttelsessæt	[1]
00	L08812480	1	Polyg. Holder Ba450/530	[2]
1	9100001160	1	SCREW SHOUL 10X16 M8 ISO7379 10 PCS SET	
2	9099419000	1	Justeringsæt F. Børste	
3	909 6485 000	1	Plate Deck Brush Holder	
4	9100000868	1	VIBRATION DAMPING M8 60SH 2 PCS SET	
5	909 6887 000	1	Stødhjul	
6	9097093000	1	Børsteholder Poly Kit	
7A	909 6043 000	1	Børsteskjold	[3]
7B	909 6042 000	1	Børste Dæksel	[4]
8	9097771000	1	Decals Kit BA 451/531/D/E	
9	L08601624	1	Slangestuds Plast	
10	9098308000	1	Gearmotor 450W 24V	
10	1466147000	1	KEY 5X5X20 UNI6604A PKD	[5]
11	9098376000	1	CARBON BRUSHES KIT 4 PCS	[6]
11	9098674000	1	CARBON BRUSHES KIT 4 PCS	[7]
11	909 5380 000	1	Carbon Brush Kit	[8]

Part Notes:

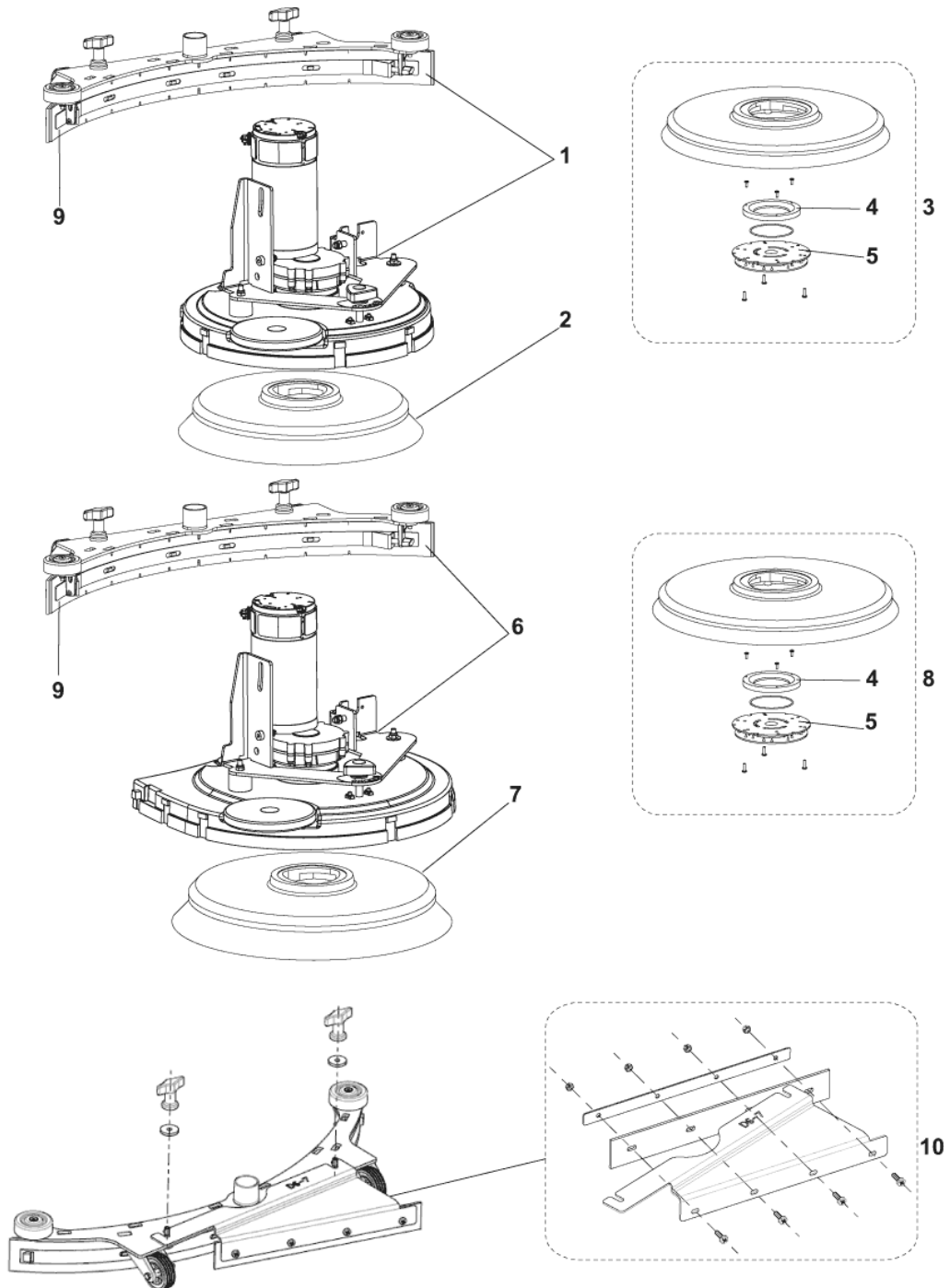
- [1] - SEE TSB-FC-2015-035
- NOT SHOWN - OPTIONAL - INST.INSTR. 9097600000 FOR 909 6546 000 - SEE TSB IT 2008-014
see TSB FC 2015-035 (COMING SOON)
- [2] - NOT SHOWN
- [3] - 450MM/17"
- [4] - 530MM/20"
- [5] - NOT SHOWN - ALREADY INCLUDED IN REDUCTION GEARMOTOR
- [6] - FOR REDUCTION GEARMOTOR 9098308000 (AMER)
- [7] - FOR REDUCTION GEARMOTOR 9098352000 (VIPER)
GUARANTEE DATE EXPIRED
- [8] - FOR REDUCTION GEARMOTOR 909 6546 000 (LEROY SOMER)
STOCK COVERS GUARANTEE



Pos.	Vare-nr	Antal	Beskrivelse	Notes
00	9097599000	1	Beskyttelsessæt	[1]
00	L08812480	1	Polyg. Holder Ba450/530	[2]
1	9100001160	3	SCREW SHOUL 10X16 M8 ISO7379 10 PCS SET	
2	9099419000	1	Justeringsæt F. Børste	
3	909 6485 000	1	Plate Deck Brush Holder	
4	9100000868	1	VIBRATION DAMPING M8 60SH 2 PCS SET	
5	909 6887 000	1	Stødhjul	
6	9097093000	1	Børsteholder Poly Kit	
7A	909 6043 000	1	Børsteskjold	
7B	909 6042 000	1	Børste Dæksel	
8	9097771000	1	Decals Kit BA 451/531/D/E	
9	L08601624	1	Slangestuds Plast	
10	9098308000	1	Gearmotor 450W 24V	[3]
10	1466147000	1	KEY 5X5X20 UNI6604A PKD	[4]
11	9098376000	1	CARBON BRUSHES KIT 4 PCS	[5]
11	909 5380 000	1	Carbon Brush Kit	[6]
12	909 6514 000	1	Spring Gas	
13	909 6516 000	1	PIN LOWER	
14	1467692000	1	PIN SPRING COTTER 3X56 GALV. 2 PCS SET	
15	909 6515 000	1	Pin Upper	
16	33023223	2	WASHER SPRING LOCK M8 DIN127B 10 PCS SET	
17	909 6513 000	1	BUSH FLANGED	
18A	909 6852 000	1	DECK BRUSH 450MM/18 KIT	
18B	909 6853 000	1	DECK BRUSH 530MM/21 KIT	

Part Notes:

- [1] - SEE TSB-FC-2015-035
- NOT SHOWN - OPTIONAL - INST.INSTR. 9097600000 FOR 909 6546 000 - SEE TSB IT 2008-014
see TSB FC 2015-035 (COMING SOON)
- [2] - NOT SHOWN
- [3] - STARTING FROM SERIAL NUMBER 111332741
- [4] - NOT SHOWN - ALREADY INCLUDED IN REDUCTION GEARMOTOR
- [5] - FOR REDUCTION GEARMOTOR 9098308000 (AMER)
- [6] - FOR REDUCTION GEARMOTOR 909 6546 000 (LEROY SOMER)
STOCK COVERS GUARANTEE



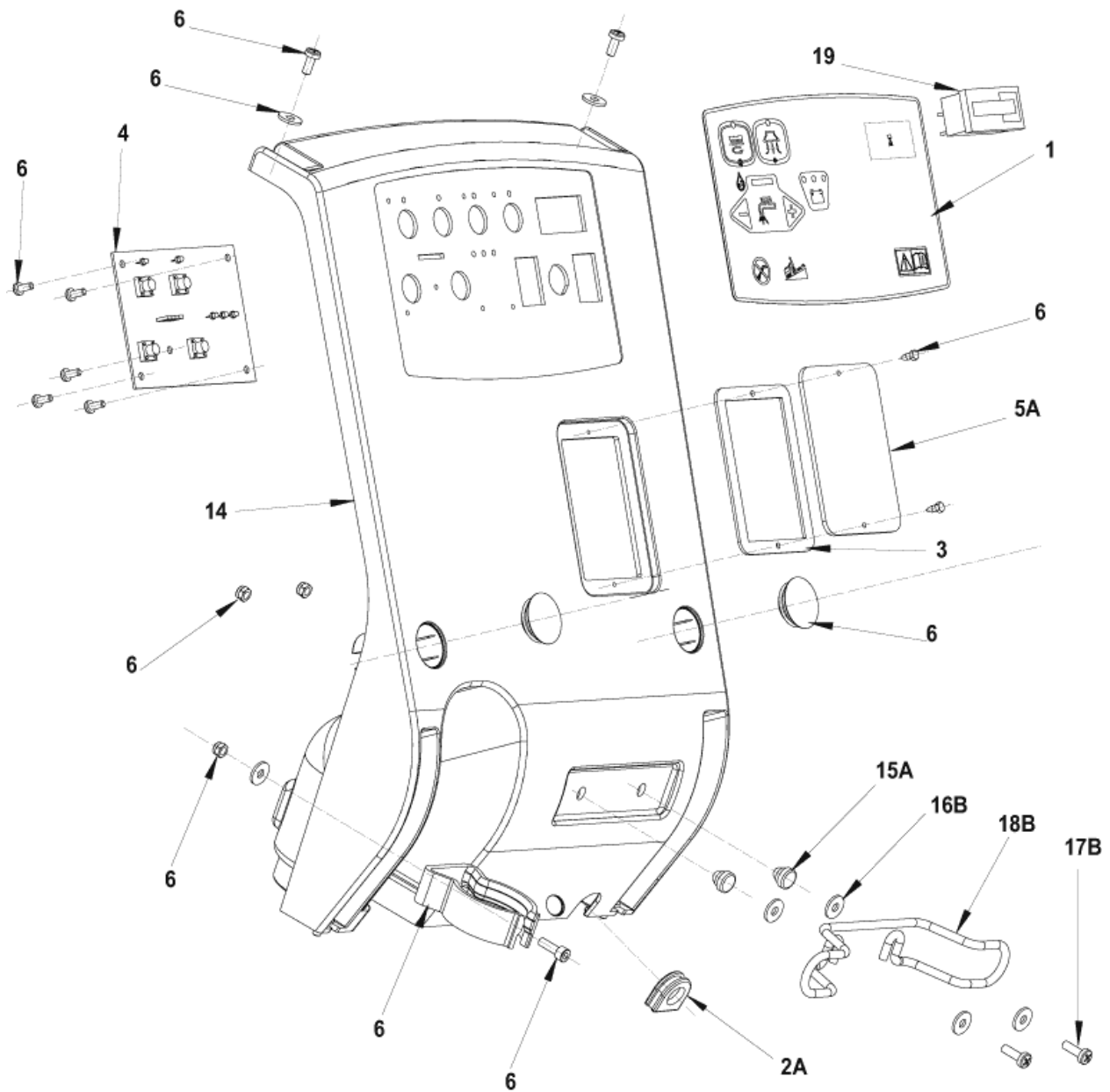
Resource notes:

POSITION 0: 909 6483 000 - 909 6484 000 INCLUDED IN THE KIT 909 6860 000

Pos.	Vare-nr	Antal	Beskrivelse	Notes
00	910000279	1	Sugegummi kit sværtefri 29" 740 mm	
00	909 6858 000	1	Sugegummi kit polyurethan 29" 740 mm	
1	909 6847 000	1	DECK BRUSH 450MM/18 KIT W	
2	L08837021	1	Børste Prolite 17,5" Ø450 mm	[1]
2	L08837023	1	Børste, Sica 450 Mm	[1]
2	L08837024	1	Børste, Midgrit 240 450 Mm	[1]
2	L08837022	1	Børste Union Mix Ø450 mm	[1]
2	L08837020	1	Børste Prolene 17,5" Ø450 mm	
3	L08837017	1	Rondelholder 18" Ø450 mm	
4	L08603966	1	Ring Nylon	
5	56505195	1	Rondellås Lynkobling	
6	909 6848 000	1	DECK BRUSH 530MM/21 KIT WITH	
7	L08837029	1	Børste Clean Grit 21" Ø530 mm	
7	L08837025	1	Børste Prolene 21" Ø530 mm	
7	L08837027	1	Børste naturhår 21" Ø530 mm	
7	L08837066	1	Børste Dyna Grit 80 21" Ø530 mm	
7	L08837026	1	Børste Prolite 21" Ø530 mm	
7	L08837028	1	Børste Midlite Grit 180 21" Ø530 mm	
7	L08837067	1	Børste Aglite Grit 500 21" Ø530 mm	
7	L08837065	1	Børste Magna Grit 46 21" Ø530 mm	
8	L08837018	1	Rondelholder 21" Ø530 mm	
9	909 6851 000	1	Sugefod, komplet	
9	L08603878	1	Squeegee Komp. Ba450/530	
10	9098343000	1	Tredje Sugelæbe Kit 451/531 551/611	[2]
11	9100002050	1	Rondelholder 17" Ø432 mm Velcro	[3]

Part Notes:

- [1] - COMPLEXITY REDUCTION
 [2] - OPTION - SEE INST.INSTR. 9098337000
 [3] - NOT SHOWN



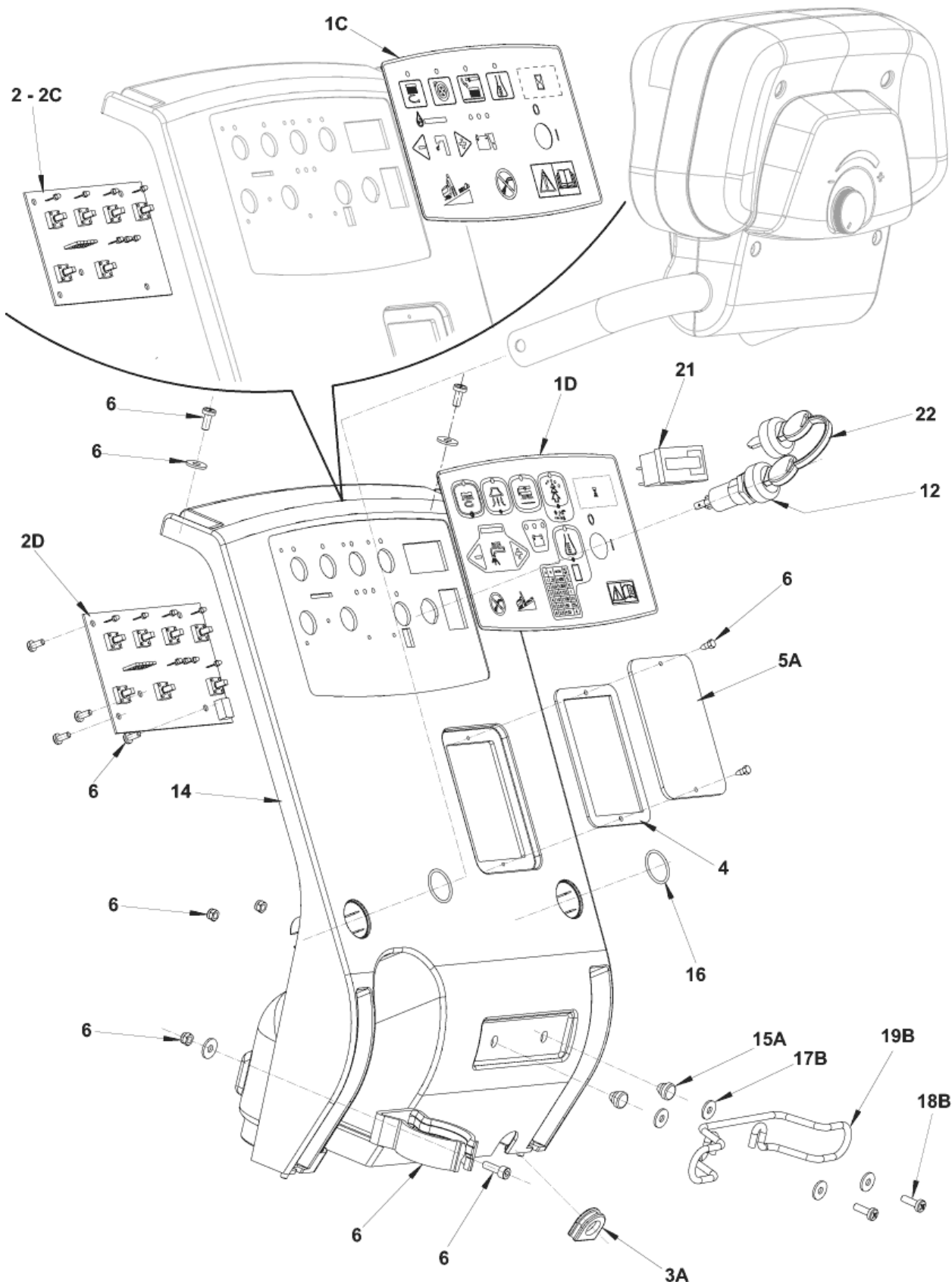
Resource notes:

A : ONLY VERSION WITHOUT BATTERY CHARGER ON BOARD B : ONLY VERSION WITH BATTERY CHARGER ON BOARD

Pos.	Vare-nr	Antal	Beskrivelse	Notes
00	9100000878	1	FUSE BLADE 3A SIP	[1]
1	9098635000	1	Decal Control Panel	[2]
2A	909 6542 000	1	GROMMET	
3	909 6545 000	1	GASKET	
4	909 6552 000	1	Elektronikkort BA 531	[3]
4	9100000174	1	CARD ELECTRONIC FUNCTIONS SIP	[4]
5A	9100001065	1	COVER F INSPECTION PLATE BLACK SIP	
6	9100001891	1	HARDWARE CONTROL PANEL KIT	
14	9097649000	1	Cover Control Panel Kit	
15A	909 6553 000	2	FEET RUBBER	
16B	145 1261 000	4	Plain Washer 5X15 Zn	
17B	146 2090 000	2	SCREW M5X16 PAN HD PHIL ISO7045	
18B	1466317000	1	SUPPORT CABLE KIT	
19	9096951000	1	Timetæller kit, 24 V	[5]

Part Notes:

- [1] - NOT SHOWN
- [2] - SEE TSB IT 2009-025
- [3] - UNTIL S/N 072115093
- [4] - STARTING S/N 072115094
- [5] - OPTIONAL - SEE INST. INSTR. 9096952000



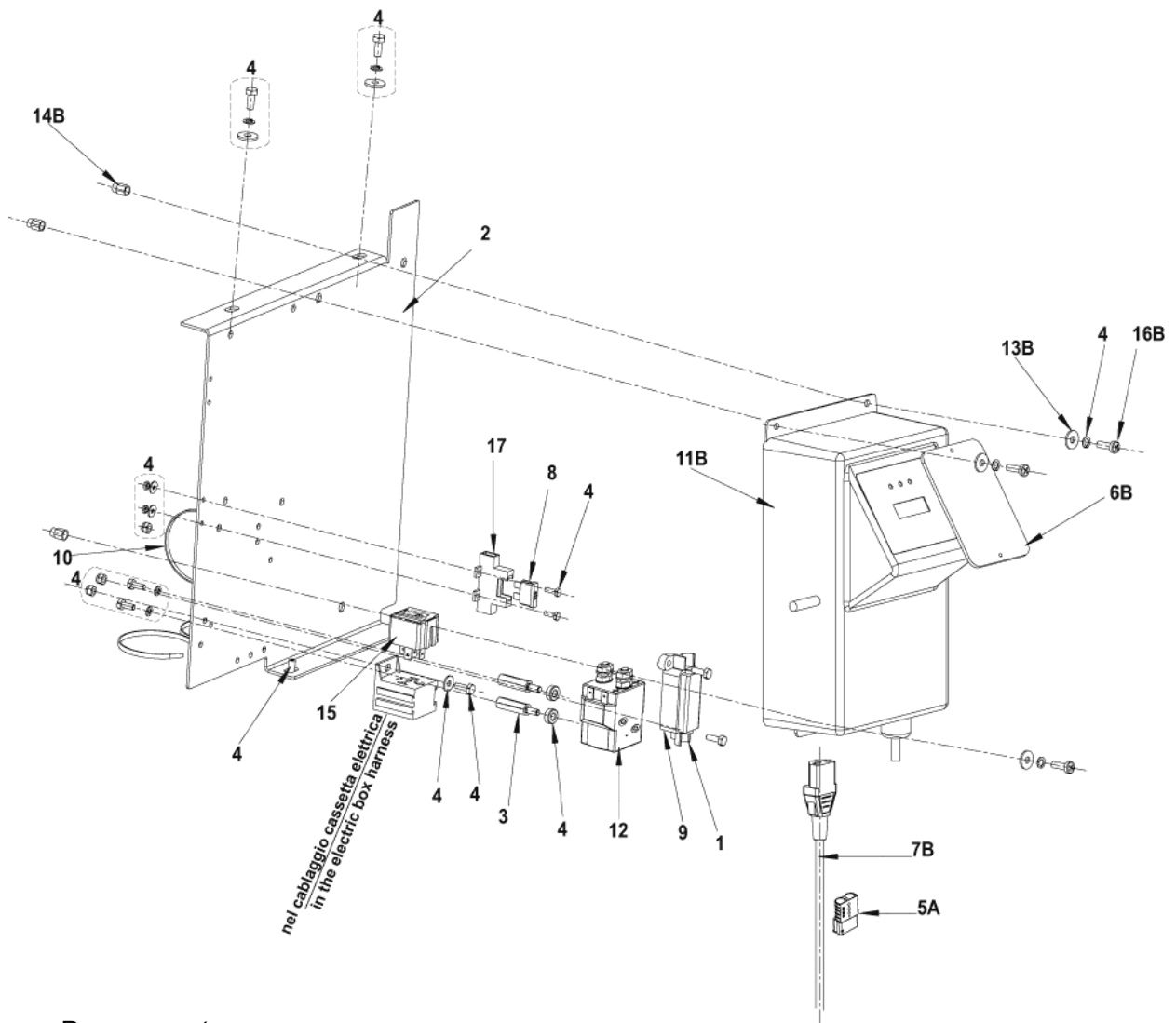
Resource notes:

Note: A : ONLY VERSION WITHOUT BATTERY CHARGER ON BOARD B : ONLY VERSION WITH BATTERY CHARGER ON BOARD POSITION 2 909 6499 000 ONLY FOR MACHINE BEFORE S/N BA 531D 072014255 - BA 451 072115094

Pos.	Vare-nr	Antal	Beskrivelse	Notes
00	9100000878	2	FUSE BLADE 3A SIP	[1]
00	909 6678 000	1	FUSE 20A GLASS DELAYED	[1]
1C	909 6057 000	1	Decal Control Panel	[2]
1D	9100001243	1	DECAL CONTROL PANEL ECOFLEX PKD	[3]
2	909 6499 000	1	Card,Electronic Control P	[4]
2C	9100000175	1	CARD ELECTRONIC FUNCTIONS KIT	[5]
2D	9100000179	1	CARD ELECTRONIC FUNCTIONS KIT	[3]
3A	909 6542 000	1	GROMMET	
4	909 6545 000	1	GASKET	
5A	9100001065	1	COVER F INSPECTION PLATE BLACK SIP	
6	9100001891	1	HARDWARE CONTROL PANEL KIT	
12	9100001354	1	SWITCH KEY WITH CAP PKD	
14	9100001360	1	COVER GREY F ELECTRIC COMP. BOX PKD	
15A	909 6553 000	2	FEET RUBBER	
16	909 6675 000	2	O-RING 1.78X21.95 -2087- NBR	
17B	145 1261 000	4	Plain Washer 5X15 Zn	
18B	146 2090 000	2	SCREW M5X16 PAN HD PHIL ISO7045	
19B	1466317000	1	SUPPORT CABLE KIT	
21	9096951000	1	Timetæller kit, 24 V	[6]
22	146 2887 000	1	Nøgle (2 Pcs) Ba510Sd	

Part Notes:

- [1] - NOT SHOWN
- [2] - SEE TSB IT 2009-025
VALID FOR BA 451D, BA531D - UNTIL S/N 102013837 -ref. ECO 3706
- [3] - VALID FOR BA 451D, BA 531D - STARTING FROM S/N 102013838 - ref. ECO 3706 EcoFlex
- [4] - Until S/N072115093
- [5] - Starting from S/N 072115094
VALID FOR BA 451D, BA531D - UNTIL S/N 102013837 -ref. ECO 3706
- [6] - OPTIONAL - SEE INST. INSTR. 9096952000



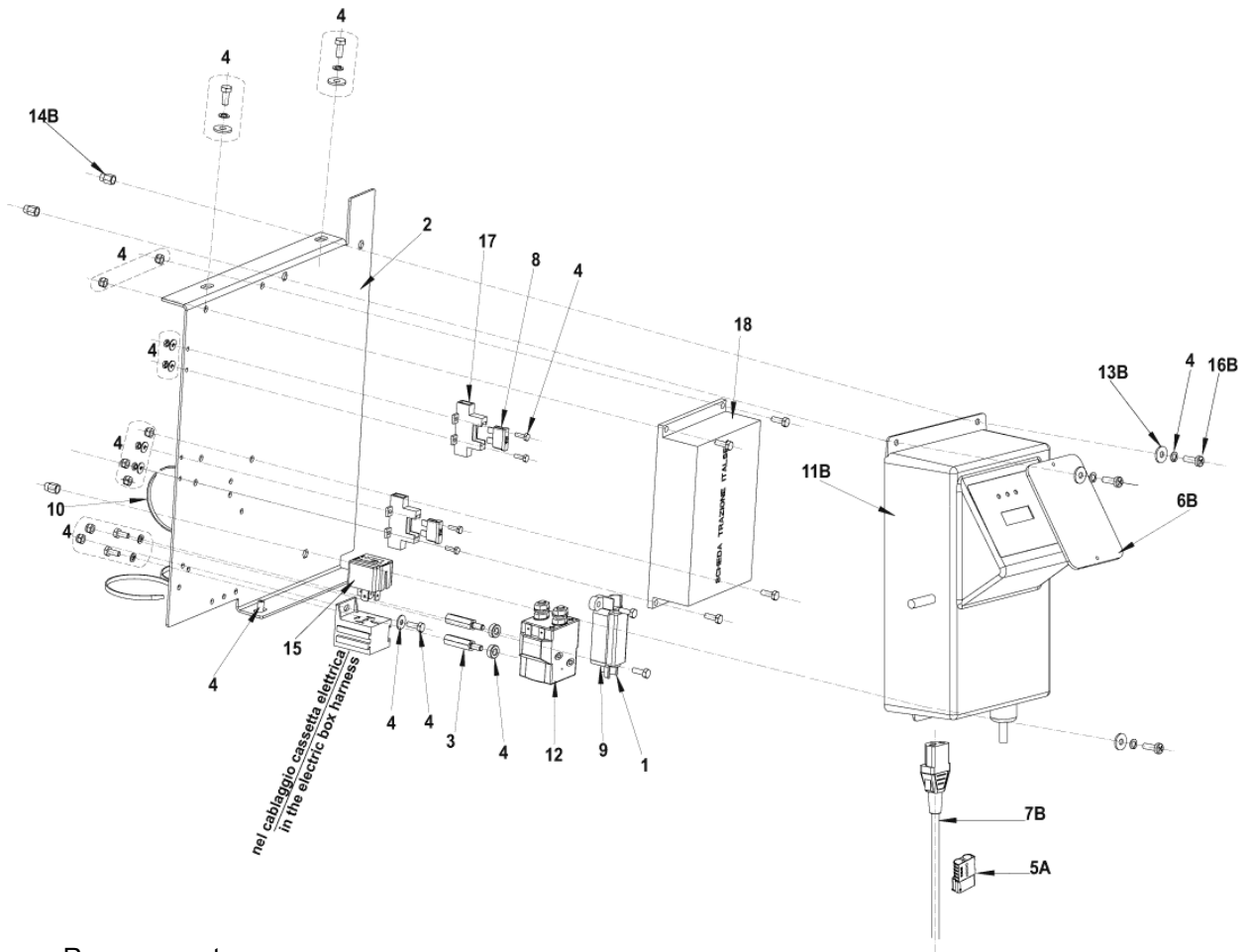
Resource notes:

A: ONLY VERSIONS WITHOUT BATTERY CHARGER ON BOARD B: ONLY VERSIONS WITH BATTERY CHARGER ON BOARD

Pos.	Vare-nr	Antal	Beskrivelse	Notes
00	9096971000	1	HARNESS MACHINE	[1]
00	9100001950	1	HARNESS BATTERY KIT	
00	9097590000	1	Batteri Kabel	
00	9096963000	1	HARNESS ELECTRIC BOX	[2]
00	909 6616 000	1	HARNESS ELECTRIC BOX	[3]
00	909 6840 000	1	HARNESS VACUUM MOTOR	
00	909 6844 000	1	HARNESS MACHINE	[3]
1	145 8046 000	1	Säkeringshållare	
2	909 6498 000	1	SUPPORT ELECTRIC COMP.	[4]
3	909 6676 000	2	SPACER M4 L25	[4]
4	9098303000	1	HARDWARE ELECTRIC SYSTEM KIT	
5A	9100002117	2	CONNECTOR RED 120A PKD	
6B	9100001064	1	COVER F INSPECTION PLATE TRANSP. SIP	
7B	1466318000	1	CABLE EXTENSION UK PLUG L.2000MM SIP	
7B	9100000790	1	CABLE EXTENSION EU PLUG L.1000MM PKD	
7B	9096914000	1	Cable Extension Us Plug	
8	145 8513 000	1	Sikring 30A	
9	145 3824 000	1	Sikring 40A,Bladsikring	
10	145 1449 000	3	TIE CABLE 3.6x140 BLACK	
11B	9098297000	1	Lader (Indbygget) 24V 13A	
12	9097208000	1	Vacum Relæ 24V	
13B	33023195	3	WASHER PLAIN M5 ISO7089 10 PCS SET	
14B	145 6132 000	3	INSERT M5	
15	909 6622 000	1	Relæ 24V 40A	
16B	1466964000	1	SCREW M5X20 PAN HD ISO7045 10 PCS SET	
17	1467035000	2	HOLDER FUSE THERMOPL.UL 94-V0 SIP	

Part Notes:

- [1] - starting from SN 070100309
STOCK COVERS GUARANTEE
- [2] - starting from SN 070100309
COMPLEXITY REDUCTION
- [3] - before SN 070100309
GUARANTEE DATE EXPIRED
- [4] - COMPLEXITY REDUCTION



Resource notes:

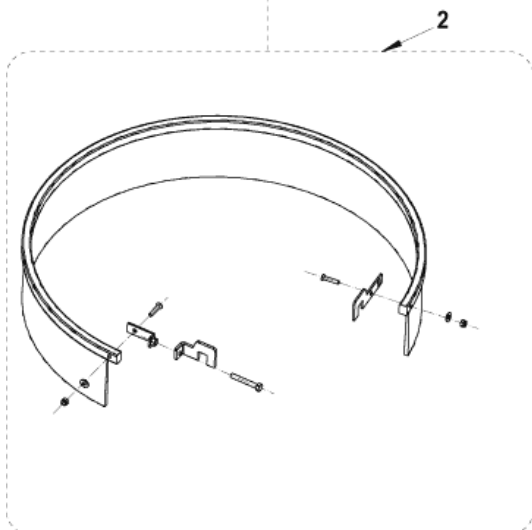
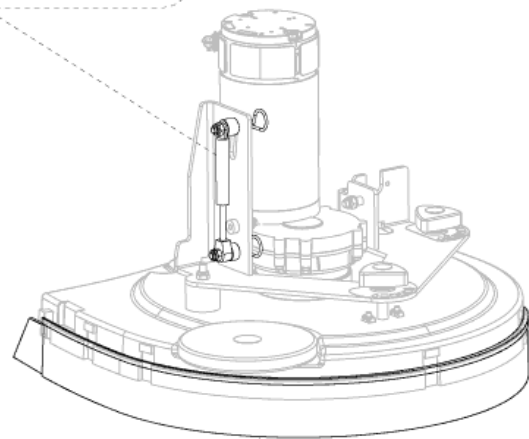
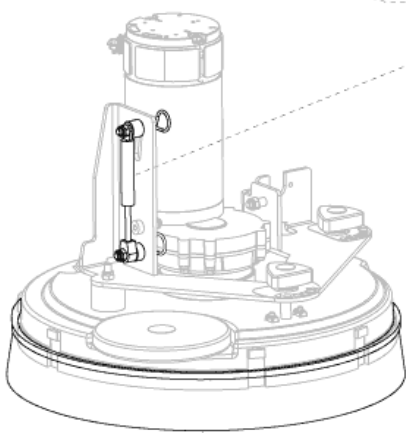
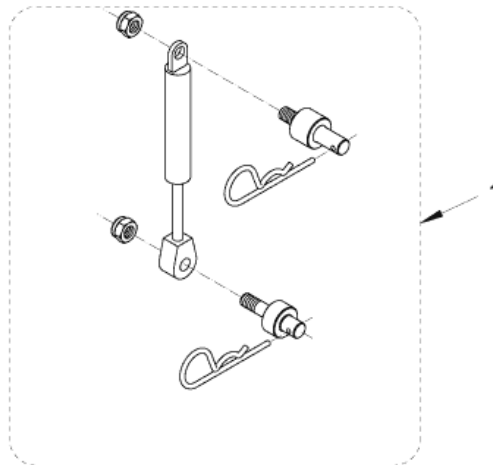
A: ONLY VERSIONS WITHOUT BATTERY CHARGER ON BOARD B: ONLY VERSIONS WITH BATTERY CHARGER ON BOARD

Pos.	Vare-nr	Antal	Beskrivelse	Notes
00	909 6840 000	1	HARNESS VACUUM MOTOR	
00	9097590000	1	Batteri Kabel	
00	909 6617 000	1	HARNESS ELECTRIC BOX	[1]
00	9096964000	1	HARNESS ELECTRIC BOX	[2]
00	909 6839 000	1	HARNESS MACHINE	[1]
00	9096972000	1	Harness Machine	[3]
00	9098640000	1	HARNESS MACHINE	[4]
00	9100001950	1	HARNESS BATTERY KIT	
1	145 8046 000	1	Säkeringshållare	
2	909 6498 000	1	SUPPORT ELECTRIC COMP.	[5]
3	909 6676 000	2	SPACER M4 L25	[5]
4	9098303000	1	HARDWARE ELECTRIC SYSTEM KIT	[6]
5A	9100002117	2	CONNECTOR RED 120A PKD	
6B	9100001064	1	COVER F INSPECTION PLATE TRANSP. SIP	
7B	9096914000	1	Cable Extension Us Plug	
7B	9100000790	1	CABLE EXTENSION EU PLUG L.1000MM PKD	
7B	1466318000	1	CABLE EXTENSION UK PLUG L.2000MM SIP	
8	145 8513 000	2	Sikring 30A	
9	145 3824 000	1	Sikring 40A,Bladsikring	
10	145 1449 000	3	TIE CABLE 3.6x140 BLACK	
11B	9098297000	1	Lader (Indbygget) 24V 13A	
12	9097209000	1	Switch Electromagnetic 24V	
13B	33023195	3	WASHER PLAIN M5 ISO7089 10 PCS SET	
14B	145 6132 000	3	INSERT M5	
15	909 6622 000	1	Relæ 24V 40A	
16B	1466964000	1	SCREW M5X20 PAN HD ISO7045 10 PCS SET	
17	1467035000	2	HOLDER FUSE THERMOPL.UL 94-V0 SIP	
18	9100000173	1	CARD ELECTRONIC TRACTION KIT	

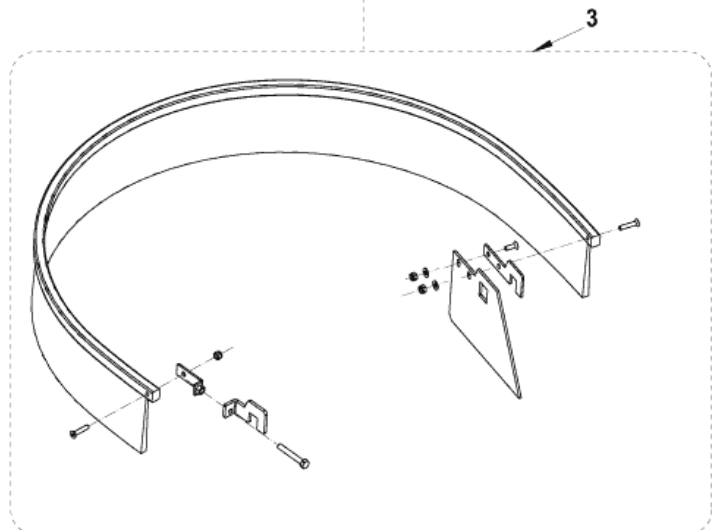
Part Notes:

- [1] - before SN 064927239
GUARANTEE DATE EXPIRED
- [2] - starting from SN 064927239
- [3] - STARTING S/N 064927239
VALID FORBA 451D, BA 531D -UNTIL S/N 102013837 - ref. ECO 3706
- [4] - VALID FORBA 451D, BA 531D - STARTING FROM S/N 102013838 - ref. ECO 3706 EcoFlex
- [5] - COMPLEXITY REDUCTION
- [6] - contains all Hardware shown in this system

**KIT EXTRA PRESSIONE - EXTRA PRESSURE KIT
(BA 451 / BA 531)**



**KIT PARASPRUZZI 17"
SPLASH GUARD 17" KIT
(BA 451 / BA 451 D)**

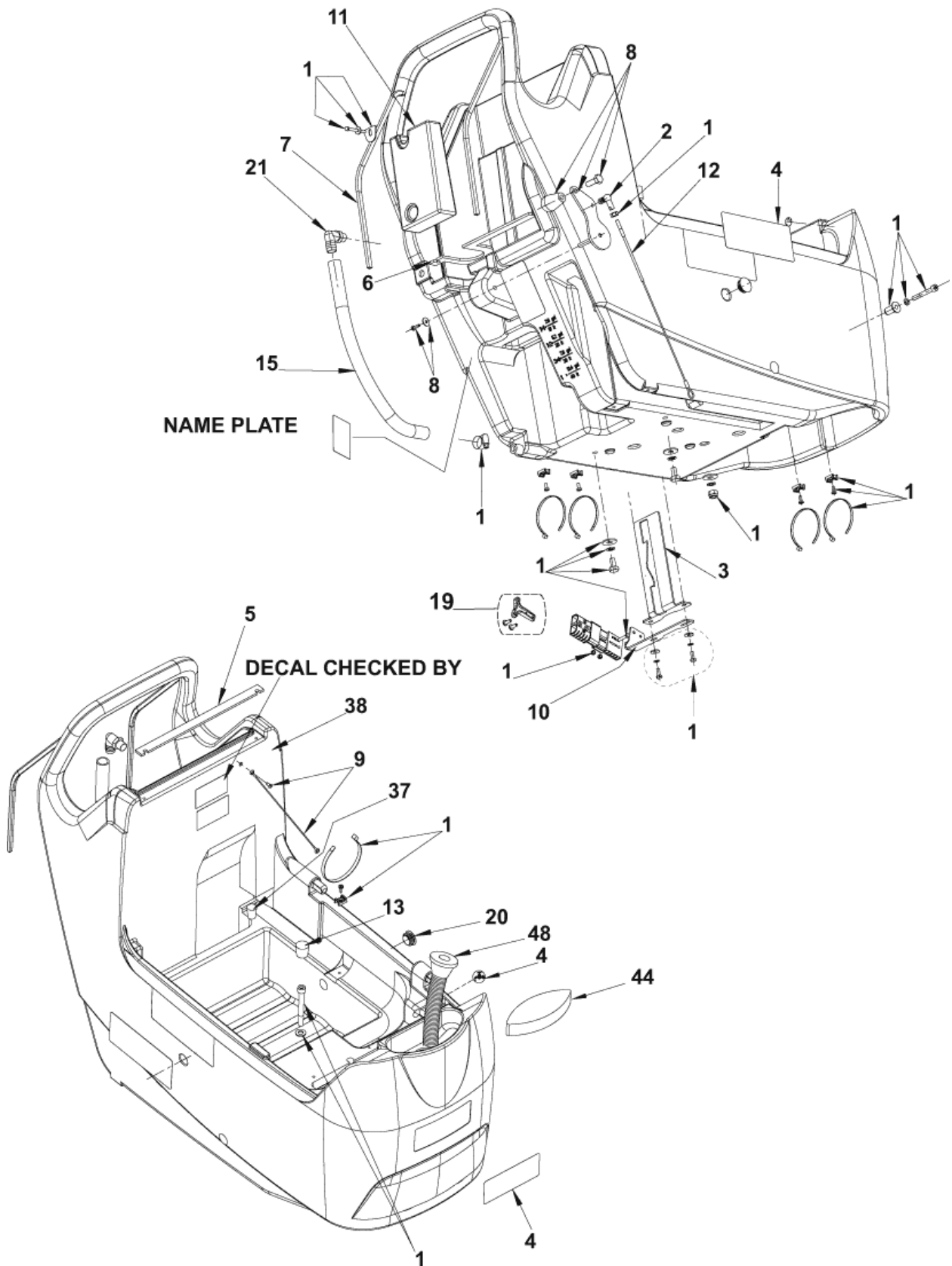


**KIT PARASPRUZZI 20"
SPLASH GUARD 20" KIT
(BA 531 / BA 531 D)**

Pos.	Vare-nr	Antal	Beskrivelse	Notes
1	909 6738 000	1	Børstetryk Ekstra Kit	[1]
2	909 6737 000	1	Børsteinddækningssæt 450 mm	[2]
3	909 6736 000	1	Stænkskørt kit 21" 530 mm	[2]

Part Notes:

- [1] - OPTIONAL - SEE INST.INSTR. 909 6759 000
[2] - OPTIONAL - SEE INST.INSTR. 909 6745 000



Resource notes:

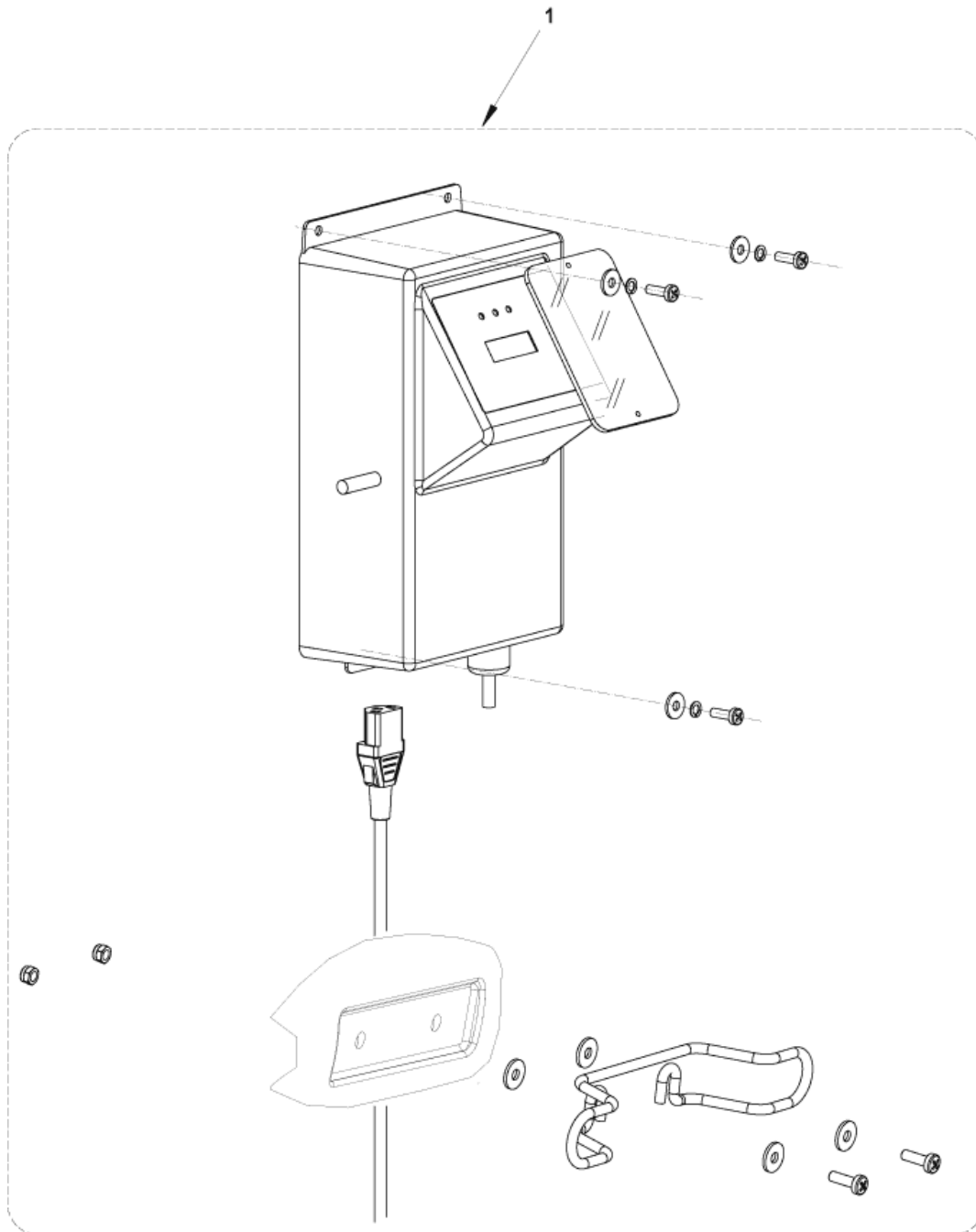
POSITION 12 9098673000 includes also position 2.

Pos.	Vare-nr	Antal	Beskrivelse	Notes
00	9096999000	1	Plate Pedal Bracket	[1]
1	9098265000	1	Mont.Sæt F. Rentvandstank	
3	909 6550 000	1	SUPPORT. PEDAL	
4	9097771000	1	Decals Kit BA 451/531/D/E	
5	909 6596 000	1	Gasket	
6	909 6597 000	1	Gasket	
7	909 6892 000	2	Gasket L 960	
8	9097630000	1	Plade For Løft Af Sugefod	
9	909 6874 000	1	Cable Tank Kit	
10	909 6649 000	1	BRACKET CONNECTOR SUPPORT	
11	909 6841 000	1	WEIGHT	
12	9098673000	1	Wire For Sugefod	[2]
13	909 6673 000	1	CAP BLACK BP6	
15	909 6681 000	1	Slange Rent Vand Ba451	
19	9100008885	1	HANDLE F BATTERY CONNECTOR SIP	
20	33023302	2	CAP BLACK SIP	
21	9100000770	1	BARB HOSE 90 D.20.5 M 3/8-18 PLASTIC KIT	
37	909 6236 000	1	Gummigennemføring, Sort	
38	909 6320 000	1	Tank 431 B 35 Lt	
44	909 6650 000	1	Sponge For Water	
48	9097290000	1	Påfyldningsslange	[3]

Part Notes:

- [1] - NOT SHOWN - ONLY FOR BA 531 D J
 [2] - SEE TSB IT 2010-053 - SEE INST. INTR. 9098672000
 [3] - OPTIONAL - SEE TSB-FC-2016-020

KIT CARICABATTERIA - BATTERY CHARGER KIT



Pos.	Vare-nr	Antal	Beskrivelse	Notes
00	9100000790	1	CABLE EXTENSION EU PLUG L.1000MM PKD	[1]
00	9098259000	1	CHARGER BATT. ON BOARD 24V 10A 100V KIT	[2]
00	9096914000	1	Cable Extension Us Plug	[3]
00	9098260000	1	CHARGER BATT. ON BOARD 24V 10A 100V	[4]
1	909 6739 000	1	Indbygget oplader kit	[5]

Part Notes:

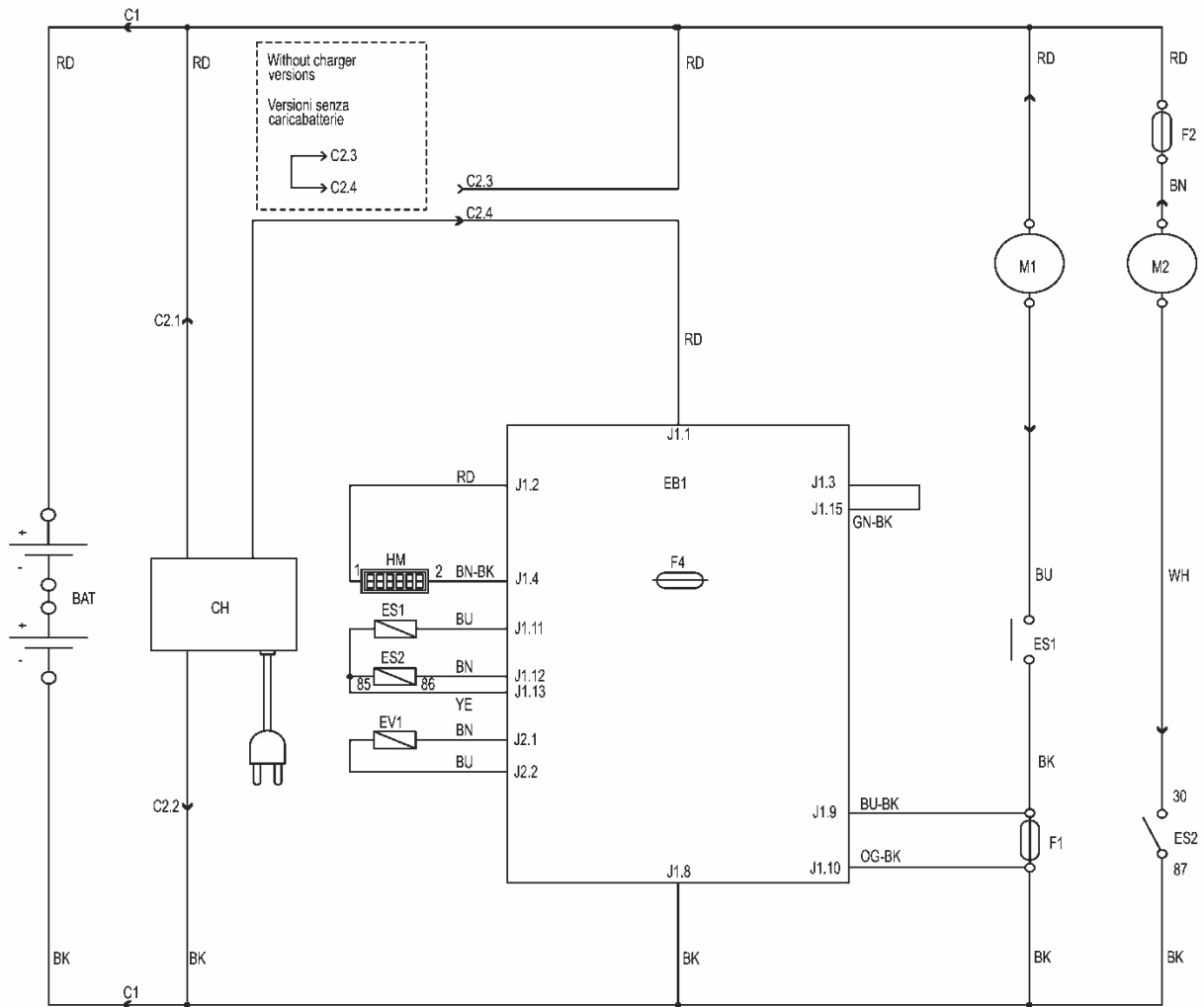
- [1] - EU
- [2] - JAPAN - OPTIONAL - SEE INST.INSTR. 9098262000
- [3] - US
- [4] - JAPAN
- [5] - use ES15909 8297 000

EU - OPTIONAL - SEE INST. INSTR. 909 6746 000

Pos.	Vare-nr	Antal	Beskrivelse	Notes
00	909 6187 000	1	HARNESSE PUMP	[1]
1	909 6743 000	1	Ecoflex Kit BA 451/531 D	[2]
2	909 6806 000	1	Pipes Chemical Mix Kit	
7	909 6902 000	1	DECAL REWRITABLE 176X111MM	
8	9098264000	1	HARDWARE EDS SYSTEM KIT	
9	56315108	1	Pumpe 24V	
10	909 6903 000	1	Ecoflex Kemibeholder Kit	
11	9100001817	1	CAP PLASTIC F CHEMICAL TANK SIP	
12	56315522	1	Check Valve 1/8 Barb 12.5Psi	
13	56315523	1	Låg Ecoflex Beholder Lille	
14	56315527	1	Rør Ecoflex Beholder	
16	909 6592 000	1	DECAL DETERGENT ADJUST.	
20	9100001819	1	PUMP CHEMICAL MIX KIT	
22	909 6092 000	1	HOLDER RUBBER T	
23	909 6639 000	1	BRACKET	

Part Notes:

- [1] - NOT SHOWN
- [2] - OPTIONAL - SEE INST. INSTR. 9096936000

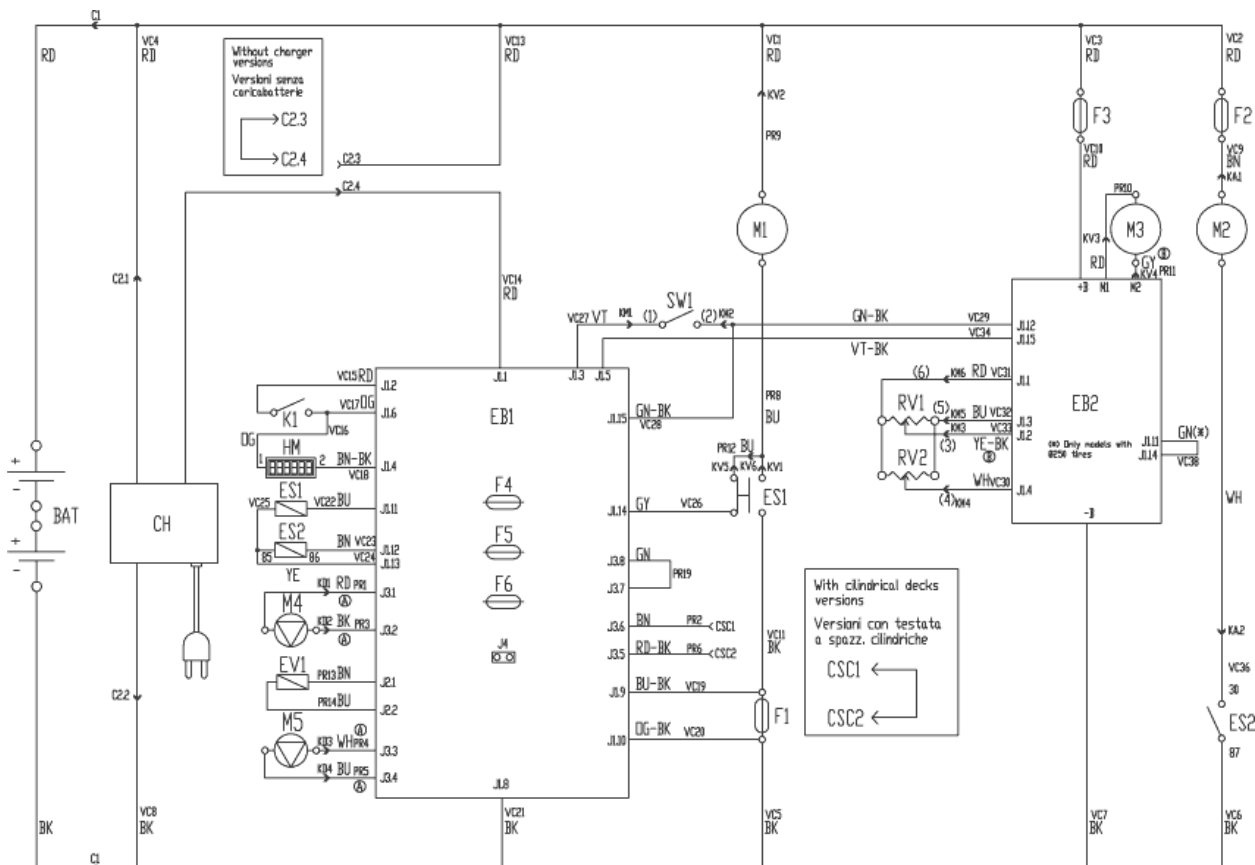


WIRING DIAGRAM
BA 451 - BA 531

Rev. A
909 6530 000

COMPONENTS / COMPONENTI		
BAT	24V BATTERIES	BATTERIE 24V
C1	BATTERY CONNECTOR	CONNETTORE BATTERIE
C2	CHARGER CONNECTOR	CONNETTORE CARICABATTERIE
CH	BATTERY CHARGER (OPT)	CARICABATTERIE (OPT)
CS	BRUSH DECK CONNECTOR	CONNETTORE TESTATA SPAZZOLE
EB1	CONTROL PANEL BOARD	SCHEDA ELETTRONICA CONTROLLO FUNZIONI
ES1	BRUSH MOTOR ELECTROM. SWITCH	TELERUTTORE MOTORI SPAZZOLE
ES2	VACUUM MOTOR ELECTROM. SWITCH	RELE' ASPIRATORE
EV1	WATER ELECTROVALVE	ELETTROVALVOLA ACQUA
F1	BRUSH DECK FUSE	FUSIBILE TESTATA SPAZZOLE
F2	VACUUM MOTOR FUSE	FUSIBILE ASPIRATORE
F4	LOW POWER CIRCUIT FUSE	FUSIBILE CIRCUITI DI SEGNALE
HM	HOURMETER (OPT)	CONTAORE (OPT)
M1	BRUSH MOTOR	MOTORE SPAZZOLA
M2	VACUUM MOTOR	MOTORE ASPIRATORE

Pos.	Vare-nr	Antal	Beskrivelse	Notes
------	---------	-------	-------------	-------



WIRING DIAGRAM - BA 451D / BA 531D

Rev. C

909 6529 000

COMPONENTS / COMPONENTI					
BAT	24V BATTERIES	BATTERIE 24V	K1	KEY SWITCH	CHIAVE
C1	BATTERY CONNECTOR	CONNETTORE BATTERIE	M1	BRUSH MOTOR	MOTORE SPAZZOLA
C2	CHARGER CONNECTOR	CONNETTORE CARICABATTERIE	M2	VACUUM MOTOR	MOTORE ASPIRATORE
CH	BATTERY CHARGER (OPT)	CARICABATTERIE (OPT)	M3	DRIVE MOTOR	MOTORE TRAZIONE
CSC	CYLINDRICAL DECK SECONDARY CONNECTOR	CONN. SECONDARIO TESTATA SPAZZ. CILINDRICHE	M4	WATER PUMP (OPT)	POMPA ACQUA (OPT)
EB1	CONTROL PANEL BOARD	SCHEDA ELETTRONICA CONTROLLO FUNZIONI	M5	DETERGENT PUMP (OPT)	POMPA DETERGENTE (OPT)
EB2	DRIVE ELECTRONIC BOARD	SCHEDA ELETTRONICA TRAZIONE	RV1	SPEED POTENTIOMETER	POTENZIOMETRO VELOCITA'
ES1	BRUSH MOTOR ELECTROM. SWITCH	TELERUTTORE MOTORI SPAZZOLE	RV2	MAX SPEED POTENTIOMETER	POTENZIOMETRO VELOCITA' MASSIMA
ES2	VACUUM MOTOR ELECTROM. SWITCH	RELE' ASPIRATORE	SW1	BRUSHES / DRIVE MICROSWITCH	MICROINTERR. CONSENSO SPAZZOLE/TRAZIONE
EV1	ELECTROVALVE	ELETTROVALVOLA			
F1	BRUSH DECK FUSE	FUSIBILE TESTATA SPAZZOLE			
F2	VACUUM MOTOR FUSE	FUSIBILE ASPIRATORE			
F3	DRIVE SYSTEM FUSE	FUSIBILE SISTEMA DI TRAZIONE			
F4	LOW POWER CIRCUIT FUSE	FUSIBILE CIRCUITI DI SEGNALE			
F5	BRUSH RELEASE FUSE	FUSIBILE SGANCIO SPAZZOLE			
F6	PUMP FUSE	FUSIBILE POMPE			
HM	HOURLMETER (OPT)	CONTAORE (OPT)			

Pos.	Vare-nr	Antal	Beskrivelse	Notes
------	---------	-------	-------------	-------

Pos.	Vare-nr	Antal	Beskrivelse	Notes
1	909 6650 000	1	Sponge For Water	[1]
2	909 6681 000	1	Slange Rent Vand Ba451	[1]
3	33023302	1	CAP BLACK SIP	[1]
4	909 6874 000	1	Cable Tank Kit	[1]
5	9098265000	1	Mont.Sæt F. Rentvandstank	[1]
6	9099853000	1	HOSE SQUEEGEE VACUUM BLACK KIT	[1]
7	9100001892	1	HOSE DRAIN L.1480MM 90 BLACK PKD	[1]
8	9100000818	2	CAGE FLOAT HALF 2 PCS SET	[1]
9	9100000817	1	BALL FLOATING PKD	[1]
10		2		[1]
11	1466138000	1	CAP BLACK PPL DE 42X11.5 PKD	[1]
12	909 6877 000	1	Hardware Motor Fixing Kit	[1]
13	909 6876 000	1	Hardware Cage Sup.Fix.Kit	[2]
14	9099401000	1	Motor Vacuum Kit	[1]
15	9098231000	1	Carbon Brush Kit 2Pcs	[1]
16	909 6491 000	1	Panel Acoustic Insulation	[1]
17	9098057000	1	Gasket Vacuum Motor	[1]
18	9097555000	1	Gasket vacuum moter	[1]
19	909 6672 000	1	Filter	[1]
20	909 6880 000	2	Castorhjul Kit	[3]
22	909 6878 000	1	Hardware Chas. Fixing Kit	[1]
23	909 6880 000	2	Castorhjul Kit	
25	909 6548 000	1	Køremotor 200W 24V Ba450/551/611	[4]
26	145 5124 000	2	Kul F. Aw 455 Børstemotor	[4]
27	L08812282	2	Cam Controller Ba450/530	[4]
28	9098300000	1	Hardware Handle Assembly	[4]
29	9100001062	1	POTENTIOMETER 5K 40 PKD	[4]
30	9100000792	1	MICROSWITCH 16A 250V PKD	[4]
31	9096994000	1	Valve Elbow	[1]
32	9097166000	1	Filter Complete Kit	[1]
33	9096995000	1	Valve Elbow W/Pipes Kit	[1]
34	909 6555 000	1	Solenoid Valve 24V	[1]
35	9100000106	1	HOLDER RUBBER 1/2 FEMALE KIT	[1]
36	9098777000	1	Vinkel	[1]

Part Notes:

- [1] - BA 451 / BA 451 D / BA 531 / BA 531 D
 [2] - BA 451 / BA 451 D / BA 531 / BA 531 D

due to ODM/ECN 2810 should have been considered valid for all

Machine configurations which were using it ONLY Before Serial Number 081813772 (Beginning of May 2008).
 GUARANTEE DATE EXPIRED

- [3] - BA 451/ BA 531
 [4] - BA 451 D / BA 531 D

Resource notes:

POSITIONS 41-42: 909 6483 000 - 909 6484 000 INCLUDED IN THE KIT 909 6860 000

Pos.	Vare-nr	Antal	Beskrivelse	Notes
37	909 6055 000	1	Holder For Sugegummi	[1]
38	909 6044 000	1	"Sugefod 30"" Kun Metaldel "	[1]
39	9097637000	1	Monteringsskrue (2 Stk)	[1]
40	9100000791	1	KNOB M8X30 THD STUD SS PKD	[1]
43	909 6851 000	1	Sugefod, komplet	[1]
44	909 6882 000	1	Skinnekit	[1]
45	909 6883 000	1	Hjul For Squeegerkit	[1]
46	9100000279	1	Sugegummi kit sværtefri 29" 740 mm	[1]
47	909 6884 000	1	Påkørselshjul, Kit	[1]
48	909 6394 000	1	Latch Squeegee Kit	[1]
49	909 6885 000	1	Squeeger Justeringskit Ba451-551	[1]
50	909 6852 000	1	DECK BRUSH 450MM/18 KIT	[2]
51	909 6853 000	1	DECK BRUSH 530MM/21 KIT	[3]
52	909 6043 000	1	Børsteskjold	[4]
53	909 6042 000	1	Børste Dæksel	[5]
54	9098308000	1	Gearmotor 450W 24V	[6]
55	9098376000	1	CARBON BRUSHES KIT 4 PCS	[6]
56	1467692000	1	PIN SPRING COTTER 3X56 GALV. 2 PCS SET	[6]
57	909 6514 000	1	Spring Gas	[6]
58	L08601624	1	Slangestuds Plast	[1]
59	9100000868	1	VIBRATION DAMPING M8 60SH 2 PCS SET	[1]
60	9097093000	1	Børsteholder Poly Kit	[1]
61	909 6887 000	1	Stødhjul	[1]
62	9099419000	1	Justeringsæt F. Børste	[1]
63	9100000174	1	CARD ELECTRONIC FUNCTIONS SIP	[7]
64	9098635000	1	Decal Control Panel	[7]
65	9100001354	1	SWITCH KEY WITH CAP PKD	[8]
66	9100000179	1	CARD ELECTRONIC FUNCTIONS KIT	
66	9100000175	1	CARD ELECTRONIC FUNCTIONS KIT	[8]
67	9100001243	1	DECAL CONTROL PANEL ECOFLEX PKD	[8]
68	9100000878	1	FUSE BLADE 3A SIP	[1]
69	9100000173	1	CARD ELECTRONIC TRACTION KIT	[8]
70	9097209000	1	Switch Electromagnetic 24V	[8]
71	9100002117	1	CONNECTOR RED 120A PKD	[1]
72	909 6622 000	1	Relæ 24V 40A	[1]
73	145 3824 000	1	Sikring 40A,Bladsikring	[1]
74	145 8513 000	1	Sikring 30A	[1]
75	9098297000	1	Lader (Indbygget) 24V 13A	[1]

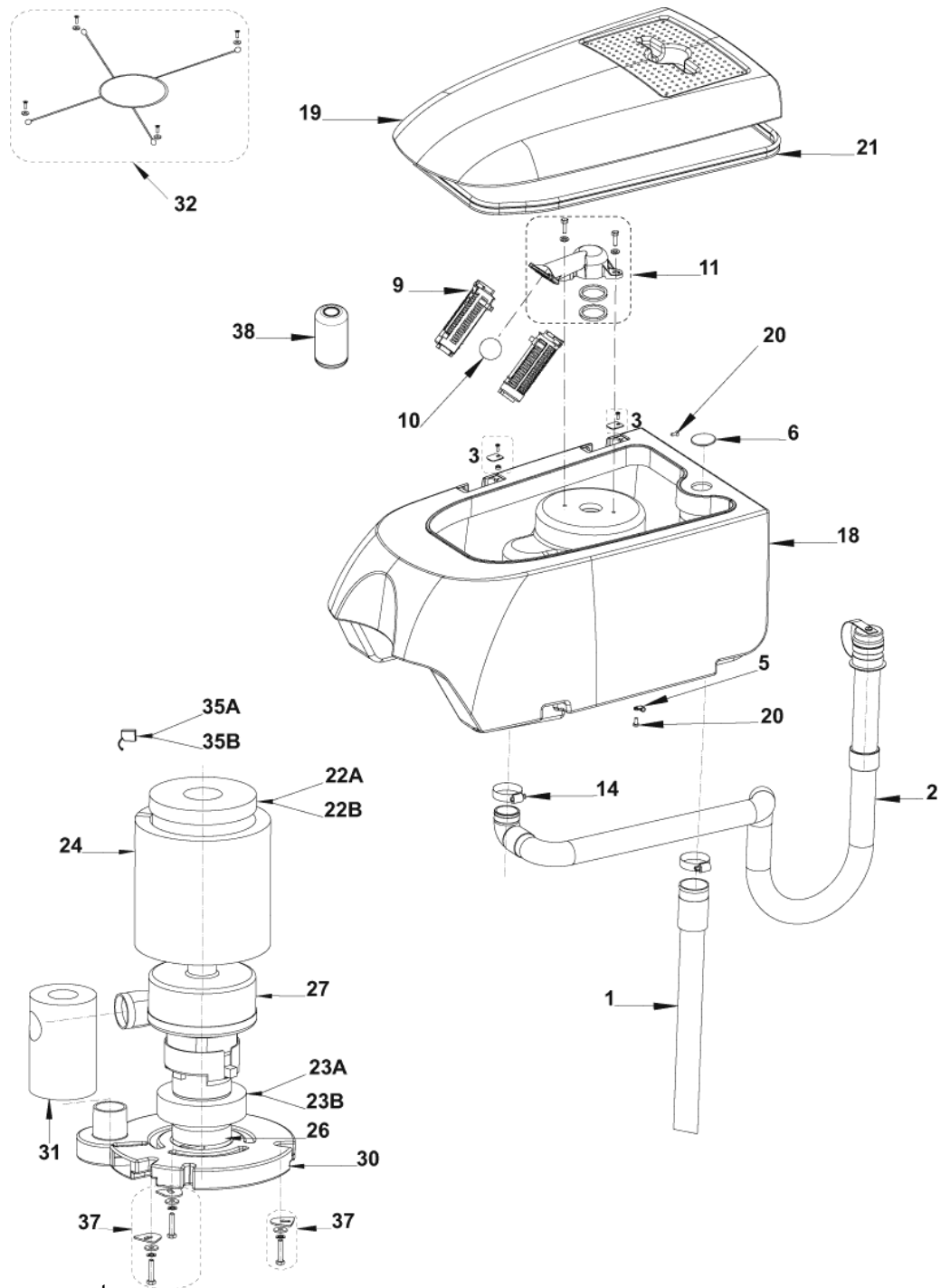
Part Notes:

- [1] - BA 451 / BA 451 D / BA 531 / BA 531 D
- [2] - BA 451 D
- [3] - BA 531 D
- [4] - BA 451/ BA 451 D
- [5] - BA 531/ BA 531 D
- [6] - BA 451 D / BA 531 D
- [7] - BA 451/ BA 531
- [8] - BA 451 D/ BA 531 D

Pos.	Vare-nr	Antal	Beskrivelse	Notes
1	909 6743 000	1	Ecoflex Kit BA 451/531 D	[1]
2	909 6806 000	1	Pipes Chemical Mix Kit	[1]
3	56315108	1	Pumpe 24V	[1]
4	909 6903 000	1	Ecoflex Kemibeholder Kit	[1]
5	9100001817	1	CAP PLASTIC F CHEMICAL TANK SIP	[1]
6	56315522	1	Check Valve 1/8 Barb 12 5Psi	[1]
7	56315523	1	Låg Ecoflex Beholder Lille	[1]
8	56315527	1	Rør Ecoflex Beholder	[1]
9	9100001819	1	PUMP CHEMICAL MIX KIT	[1]
10	909 6092 000	1	HOLDER RUBBER T	[1]
11	909 6847 000	1	DECK BRUSH 450MM/18 KIT W	[2]
12	909 6848 000	1	DECK BRUSH 530MM/21 KIT WITH	[3]
13	9097167000	2	WHEEL FRONT D.200 65SH	[4]
14	909 6738 000	1	Børstetryk Ekstra Kit	[4]
15	909 6736 000	1	Stænkskørt kit 21" 530 mm	[5]
16	909 6737 000	1	Børsteinddækningsæt 450 mm	[6]
17	L08837020	1	Børste Prolene 17,5" Ø450 mm	[6]
18	L08837021	1	Børste Prolite 17,5" Ø450 mm	[7]
19	L08837022	1	Børste Union Mix Ø450 mm	[7]
20	L08837023	1	Børste, Sica 450 Mm	[7]
21	L08837024	1	Børste, Midgrit 240 450 Mm	[7]
22	L08837017	1	Rondelholder 18" Ø450 mm	[6]
23	L08837025	1	Børste Prolene 21" Ø530 mm	[5]
24	L08837026	1	Børste Prolite 21" Ø530 mm	[5]
25	L08837027	1	Børste naturhår 21" Ø530 mm	[5]
26	L08837028	1	Børste Midlite Grit 180 21" Ø530 mm	[5]
27	L08837029	1	Børste Clean Grit 21" Ø530 mm	[5]
28	L08837065	1	Børste Magna Grit 46 21" Ø530 mm	[5]
29	L08837066	1	Børste Dyna Grit 80 21" Ø530 mm	[5]
30	L08837067	1	Børste Aglite Grit 500 21" Ø530 mm	[5]
31	L08837018	1	Rondelholder 21" Ø530 mm	[5]
32	9097032000	2	Trækhjul, olieresistente, Ø200 mm	[1]
33	L08603878	1	Squeegee Komp.Ba450/530	[8]
34	909 6858 000	1	Sugegummi kit polyurethan 29" 740 mm	[8]
35	909 6739 000	1	Indbygget oplader kit	[9]
36	9097290000	1	Påfyldningsslange	[8]
37	9100001353	1	FILTER SOLUTION TANK PKD	[8]
38	9096951000	1	Timetæller kit, 24 V	[8]
39	909 6734 000	1	Gummistrop Til Låg	[8]
40	909 5065 000	1	Anti-skumfilter	[8]
41	9098343000	1	Tredje Sugelæbe Kit 451/531 551/611	[8]
42	9098853000	1	Elbow 90 Suct.Hose Kit Ra L7001	[10]

Part Notes:

- [1] - BA 451 D / BA 531 D
- [2] - BA 451
- [3] - BA 531
- [4] - BA 451 / BA 531
- [5] - BA 531 / BA 531 D
- [6] - BA 451 / BA 451 D
- [7] - BA 451 / BA 451 D
COMPLEXITY REDUCTION
- [8] - BA 451 / BA 451 D / BA 531 / BA 531 D
- [9] - BA 451 / BA 451 D / BA 531 / BA 531 D
use ES15909 8297 000
- [10] - TSB IT 2010-061. Squeegee hose elbow



Resource notes:

A: FOR MOTOR 9099401000 (AMETEK) B: FOR MOTOR 9098062000 (VIPER)

Pos.	Vare-nr	Antal	Beskrivelse	Notes
00	9098853000	1	Elbow 90 Suct.Hose Kit Ra L7001	[1]
00	909 6876 000	1	Hardware Cage Sup.Fix.Kit	[2]
1	9099853000	1	HOSE SQUEEGEE VACUUM BLACK KIT	
2	9100001892	1	HOSE DRAIN L.1480MM 90 BLACK PKD	
3	9097654000	1	Holder, Låg	
5	L08603845	1	CLAMP.CABLE	
6	1466138000	1	CAP BLACK PPL DE 42X11.5 PKD	
9	9100000818	1	CAGE FLOAT HALF 2 PCS SET	
10	9100000817	1	BALL FLOATING PKD	
11	9100001875	1	SUPPORT FLOAT KIT	[3]
14	9100001348	1	CLAMP 14/32-52 10 PCS SET	
18	909 6321 000	1	Snavsevandstank 35 LT	
19	909 6322 000	1	Cover.Tank 35 Lt	
20	909 6337 000	2	SCREW M5X12 PAN HD PHIL ISO7045	
21	909 6901 000	1	Pakning	
22A	9096918000	1	Gasket. Vacuum Motor	
22B	9098057000	1	Gasket Vacuum Motor	
23A	909 6490 000	1	Gasket Vacuum Motor	
23B	9097555000	1	Gasket vacuum moter	
24	909 6491 000	1	Panel Acoustic Insulation	
26	909 6672 000	1	Filter	
27	9099401000	1	Motor Vacuum Kit	
30	9100001246	1	COVER VACUUM MOTOR PKD	
31	909 6442 000	1	Pipe,Acoustic Insulation	
32	909 6734 000	1	Gummistrop Til Låg	[1]
35A	909 5371 000	2	Kul, Sugemotor 410/343	
35B	9098231000	1	Carbon Brush Kit 2Pcs	
37	909 6877 000	1	Hardware Motor Fixing Kit	
38	909 5065 000	1	Anti-skumfilter	[4]

Part Notes:

- [1] - OPTIONAL
 [2] - FOR OLD CAGE SUPPORT

due to ODM/ECN 2810 should have been considered valid for all

Machine configurations which were using it ONLY Before Serial Number 081813772 (Beginning of May 2008).
 GUARANTEE DATE EXPIRED

- [3] - See INST.INSTR. 9100001876
 [4] - See TSB IT 2008-002 - OPTIONAL

