

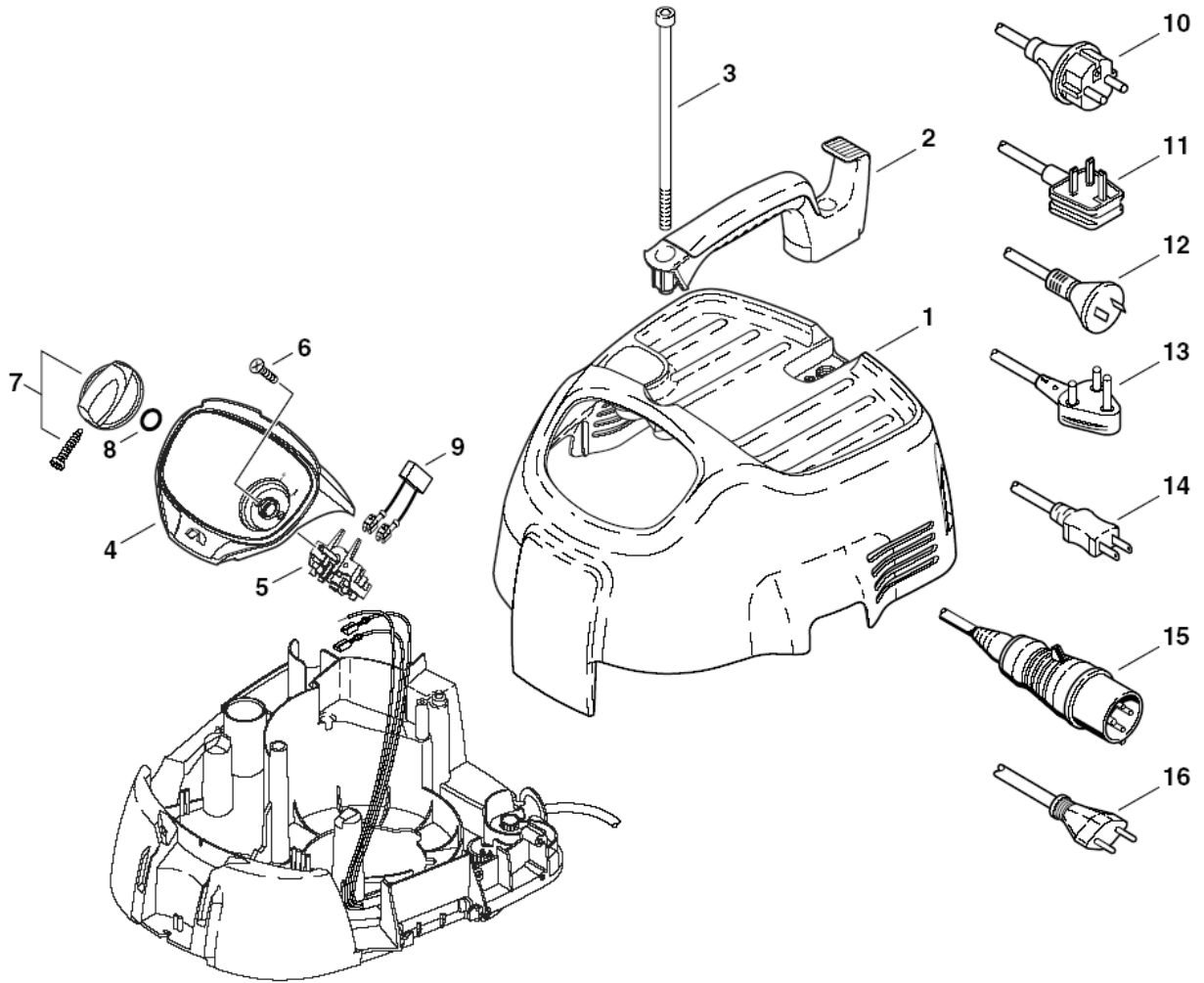
PARTS LIST



2022.11.06

TABLE OF CONTENTS

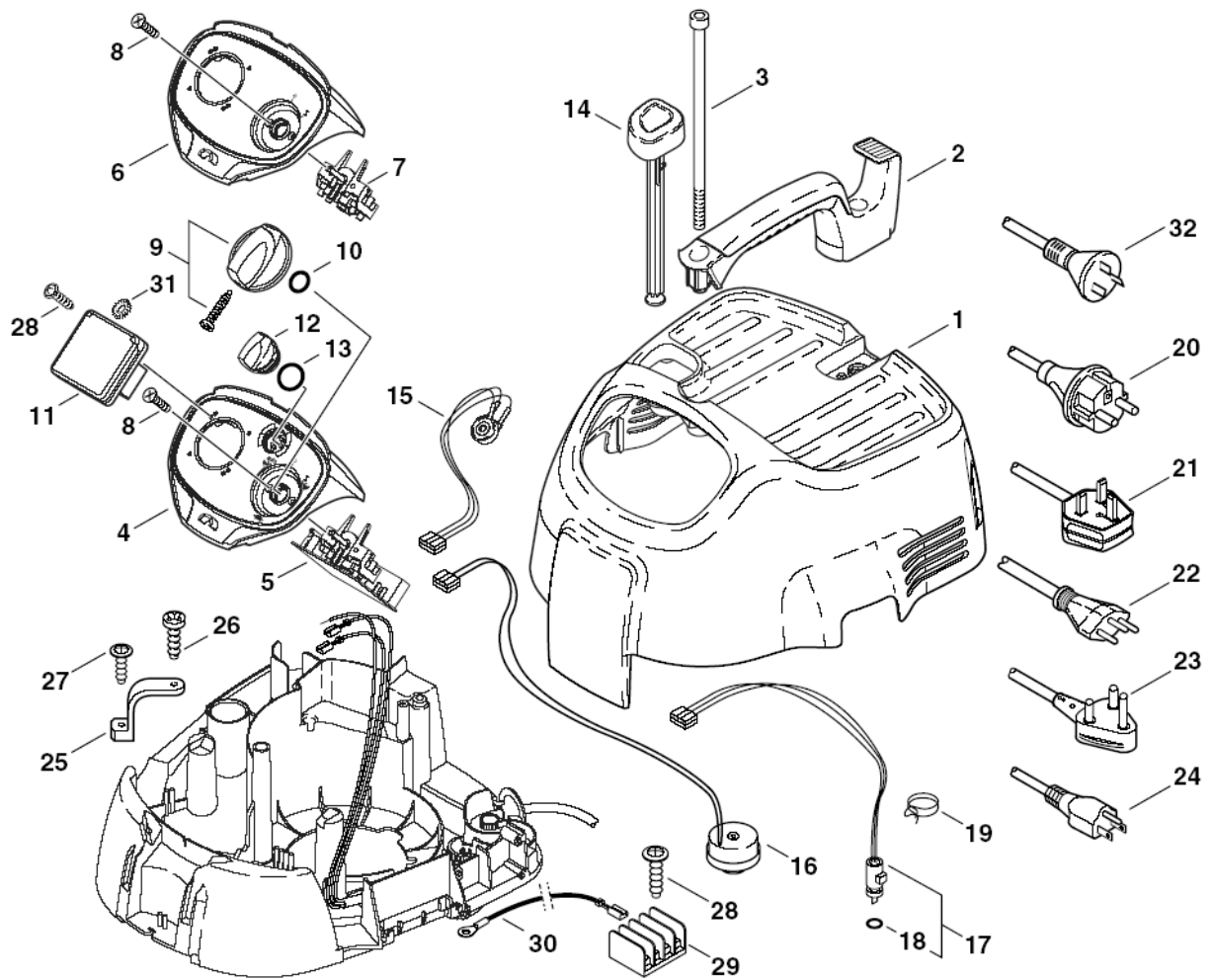
Cabinet 350-01, 8 GALLON.....	1
Cabinet 360-11, -21, 8 GALLON AS/E.....	3
Container.....	6
Motor, Filter.....	8
Accessories 350 / 360.....	10
Accessories 8 GALLON.....	12
Material for installation.....	14



Pos.	Vare-nr	Antal	Beskrivelse	Notes
00	302000469	1	CARDBOARD BOX 439X400X670	[1]
01	302000467	1	Kabinettop	[2]
02	302000471	1	Bærehåndtag	[3]
03	909100084	2	Skrue M6	[4]
04	302000632	1	Switch Box Attix 350	[5]
05	107413448	1	ROTARY SWITCH 2 POS 16A KIT	[4]
06	18274	2	Skrue M4X12	[4]
07	909100204	1	Drejeknap	[4]
08	9868	1	O-ring 10.0X2.5	[4]
09	48338	1	Kondensator	[4]
10	107402641	1	Power Cord H05Rr-F 3G1.5X 8X2	[6]
10	107402644	1	POWER CORD H05RR-F2X0.75X8.25	[7]
10	107402644	1	POWER CORD H05RR-F2X0.75X8.25	[7]
11	302000753	1	POWER CORD H05RR-F 2X0.7	[8]
12	107409849	1	POWER CORD H05RN-F 2X1.0X8.25M AU - KIT	[9]
13	302000684	1	POWER CORD H05RR-F 2X0.7	[10]
14	302000455	1	POWER CORD SJTW-A AWG18/2X8.25	[11]
14	302004040	1	CORD SJTW-A AWG16/2 JP	[12]
15	302000754	1	POWER CORD H05BQ-F 2X1.0	[13]
16	302000452	1	POWER CORD H05RR-F 2X0.75X8.25 M	[14]

Part Notes:

- [1] - NO LONGER AVAILABLE
- [2] - 350-01, 8GALLON
NO LONGER AVAILABLE
- [3] - 350-01, 8GALLON
STOCK COVERS GUARANTEE
- [4] - 350-01, 8GALLON
- [5] - 350-01, 8GALLON
GUARANTEE DATE EXPIRED
- [6] - 350-01 SHOP
- [7] - *EU*DK*, 350-01
- [8] - *GB,230V*, 350-01
GUARANTEE DATE EXPIRED
- [9] - *AU*, 350-01
- [10] - *ZA*, 350-01, 8GALLON
GUARANTEE DATE EXPIRED
- [11] - *US*, 350-01, 8GALLON
- [12] - *JP,100V*, 350-01, 8GALLON
STOCK COVERS GUARANTEE
- [13] - *GB,110V*, 350-01
GUARANTEE DATE EXPIRED
- [14] - *CH*, 350-01
CH

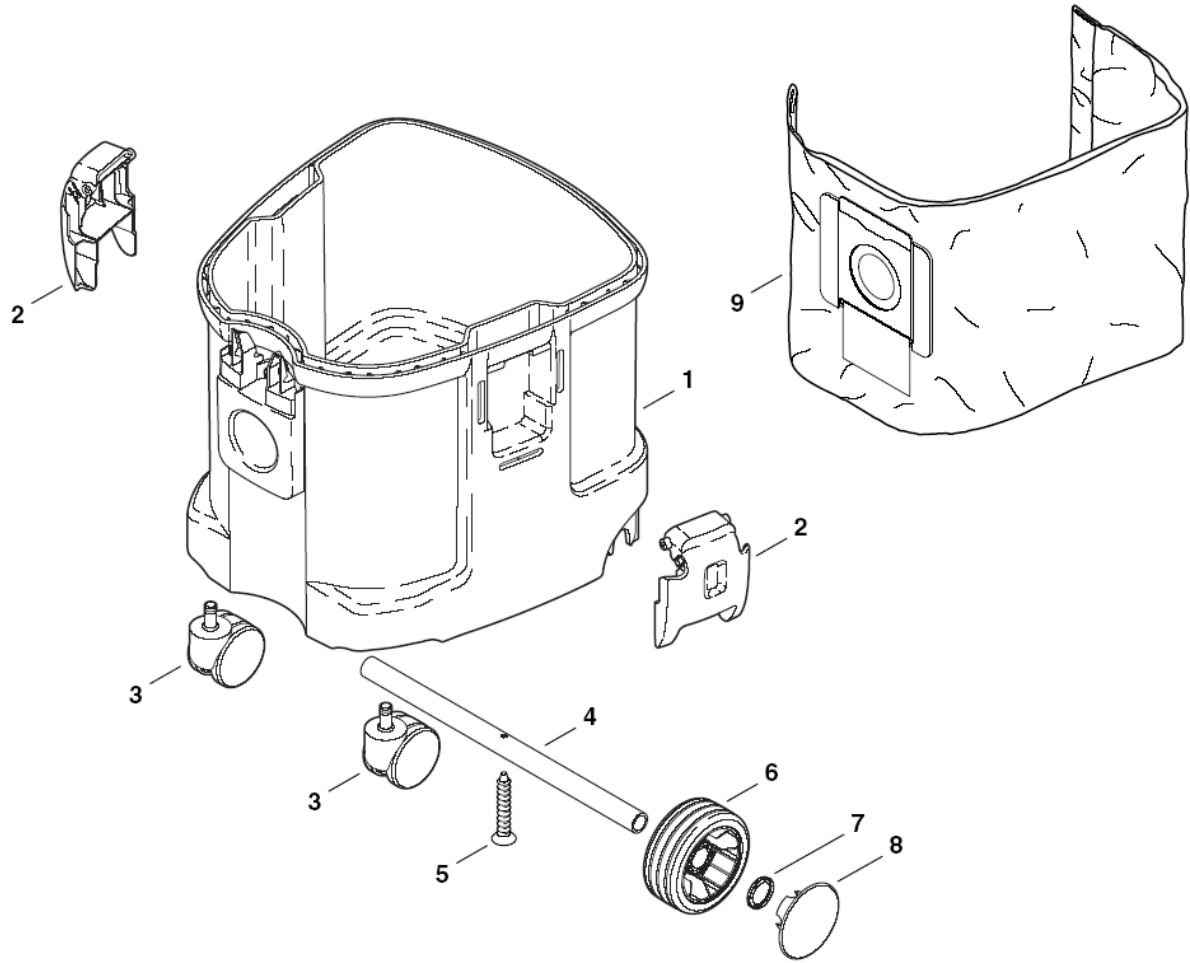


Pos.	Vare-nr	Antal	Beskrivelse	Notes
01	302000485	1	Kabinettop	[1]
02	302000471	1	Bærehåndtag	[2]
03	909100084	2	Skruer M6	[1]
04	302000635	1	Switch Box F. ATTIX	[3]
05	302000627	1	ELECTRONIC 110-120V SET1	[4]
05	302000629	1	ELECTRONIC FLOW MEASU. 100-120V	[5]
05	107408926	1	ELECTRONIC-UNIT EA M. DREHZ. 220-240V	[6]
06	302000634	1	Switch Box ATTIX 360-21	[7]
06	302000633	1	Switch Box ATTIX 360-11	[8]
07	107413448	1	ROTARY SWITCH 2 POS 16A KIT	[9]
08	18274	2	Skruer M4X12	[1]
09	909100204	1	Drejeknap	[1]
10	9868	1	O-ring 10.0X2.5	[1]
11	302004034	1	Stikdåse 16A/250V Eu	[10]
11	302004336	1	SOCKET 13A/250V GB	[11]
11	302001185	1	SOCKET 10A/250V AU	[12]
11	107400059	1	SOCKET 10A/250V CH	[13]
11	302004338	1	SOCKET 15A/125V US/CSA	[14]
11	302000683	1	Stikdåse	[15]
12	107400575	1	TURNING KNOB FOR POTI - BLACK	[16]
13	107400576	1	O-RING 21X1.5	[17]
14	302000631	1	Filterryster	[18]
15	302000429	1	Electronic Potentiometer	[16]
16	107400579	1	Piezo Buzzer	[16]
17	302000428	1	Electronic Flowsens 9X6Mm	[16]
18	55416	1	O-RING 4.0x1.5 NBR70	[16]
19	107400578	1	HOSE CLAMP D10	[16]
20	107402642	1	Elkabel, DK	[15]
20	107402641	1	Power Cord H05Rr-F 3G1.5X 8X2	[10]
21	107400270	1	CORD H05RR-F 3G1.5 BS1 363 GB	[11]
22	107400267	1	Cord H05Rr-F 3G1.0 Ch	[13]
23	302000686	1	POWER CORD H05RR-F 3G1.5	[19]
24	302004332	1	POWER CORD US	[20]
25	25871	1	BRACKET	[1]
26	14418	1	SCREW 4.2X13 ISO 7049	[1]
27	11254	1	SCREW 3.5X10 WN1411	[1]
28	11256	2	Skruer Ka3,5X18	[1]
29	48421	1	TERMINAL STRIP	[21]
30	107400263	1	WIRE 2.5 X 250 YE/GR 100-120V	[22]
30	26299	1	WIRE YE/GR 1.0X500	[23]
31	4021	1	SERRATED LOCK WASHER A4	[1]
32	302004333	1	POWER CORD H05RR-F 3G1.5X8.4 AS3112 -AU	[24]

Part Notes:

- [1] - 360-11,21, 8GALL.AS/E
- [2] - 360-11,21, 8GALL.AS/E
STOCK COVERS GUARANTEE
- [3] - 8GALLON AS/E
NO LONGER AVAILABLE
- [4] - 360-21 100-120V *JP*
- [5] - 8GALLON AS/E 100-120V *US*
STOCK COVERS GUARANTEE
- [6] - 360-21 220-240V
- [7] - 360-21
GUARANTEE DATE EXPIRED
- [8] - 360-11
GUARANTEE DATE EXPIRED
- [9] - 360-11
- [10] - *EU*, 360-11,21
- [11] - *GB,230V*, 360-11,21
- [12] - *AU* 360-11

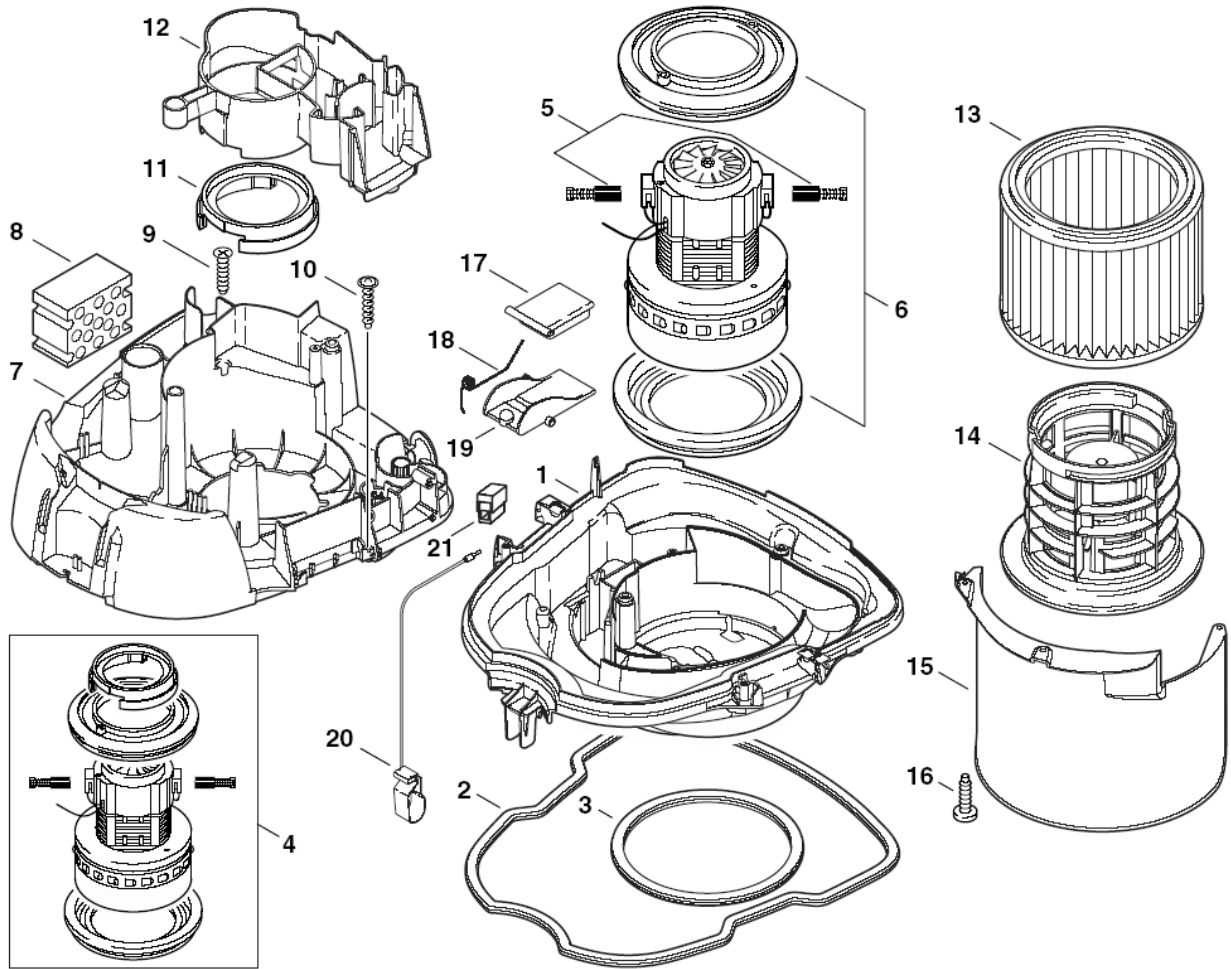
- [13] - *CH*, 360-11,21
- [14] - *US*, 8GALL.AS/E
- [15] - *DK*, 360-11,21
- [16] - 8GALLON AS/E
- [17] - 8 GALLON AS/E
- [18] - 360-11,21, 8GALL.AS/E
GUARANTEE DATE EXPIRED
- [19] - *ZA*, 360-11,21, 8GALL.AS/E
GUARANTEE DATE EXPIRED
- [20] - *US*, 360-11,21, 8GALL.AS/E
- [21] - 8GALLON AS/E, 360-21 *GB*
STOCK COVERS GUARANTEE
- [22] - 360-21 *GB*
- [23] - 8GALLON AS/E
GUARANTEE DATE EXPIRED
- [24] - *AU*, 360-11



Pos.	Vare-nr	Antal	Beskrivelse	Notes
01	302000626	1	Beholder	[1]
02	302000349	2	Lukkeclamp	
03	107415105	2	GUIDE ROLLER Ø60 PIN Ø11X22	
04	302000464	1	Hjulaksel ATTIX 3	[2]
05	909100085	1	Skrue	
06	302000465	2	Hjul	
07	47302	2	Låseskive	
08	302000681	2	Hjulkapsel	
09	302000449	1	Støvsugerposer (5 stk.)	

Part Notes:

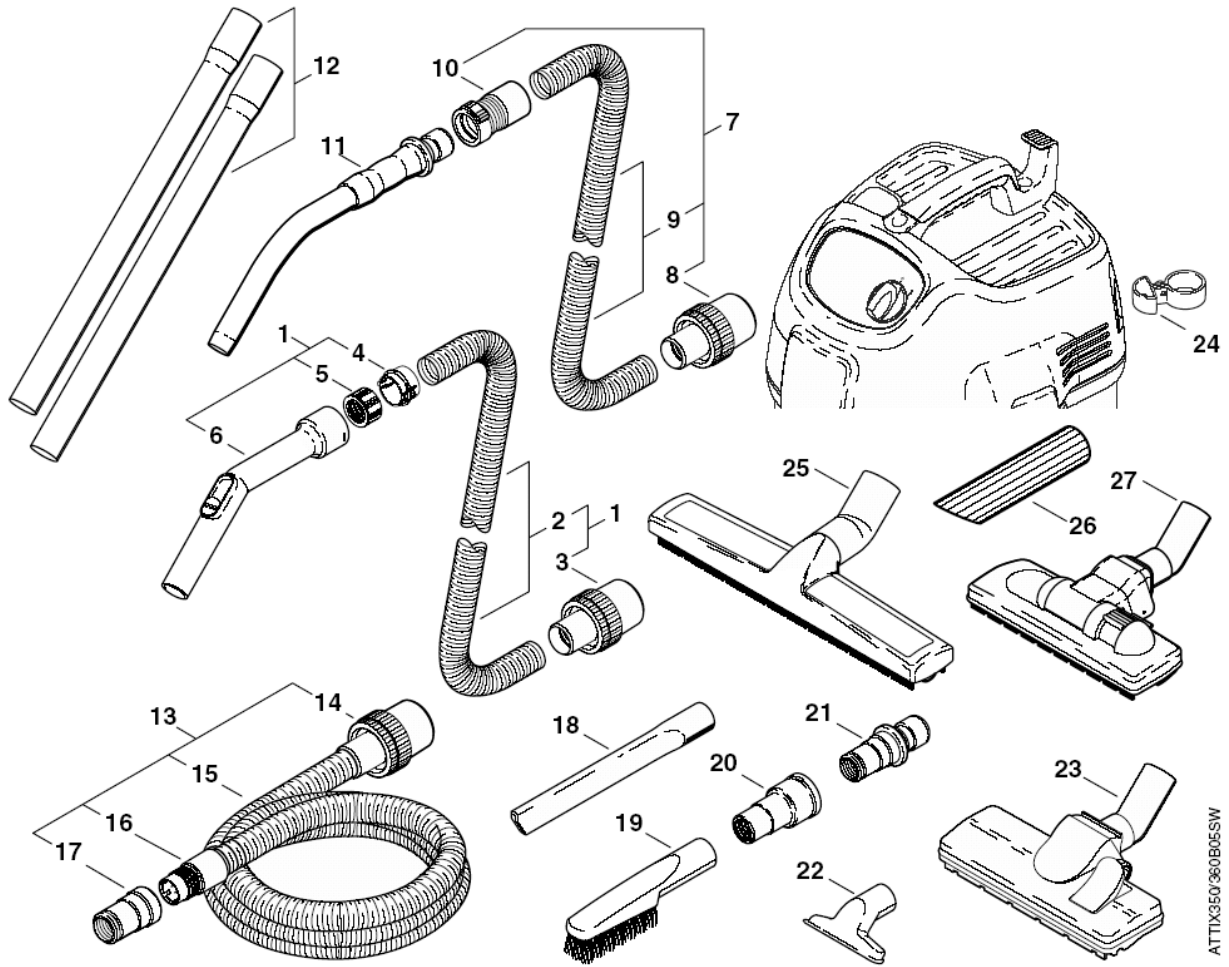
- [1] - GUARANTEE DATE EXPIRED
- [2] - STOCK COVERS GUARANTEE



Pos.	Vare-nr	Antal	Beskrivelse	Notes
01	302000346	1	Plade	
02	302000459	1	Tætning til beholder	
03	302000460	1	Tætning til filter	
04	26784	1	Motor 120V 1200W	[1]
04	49594	1	Motor 220V 1200W	[2]
04	26785	1	MOTOR 120V 1000W	[3]
04	26783	1	MOTOR 100V 1200W	[4]
05	26775	1	"Kulsæt ""L"" "	[5]
05	49625	1	Kulsæt C	[6]
05	26774	1	"Kulsæt ""M"" "	[7]
06	28875	1	"Motorpakningssæt ""L""+"M"" "	[8]
06	42538	1	"Motorpakningssæt ""C"" "	[9]
06	29205	1	SEAL	[8]
07	302001186	1	CLAMPING PLATE FLOWSENS	[10]
07	107413312	1	CLAMPING PLATE - KIT	[11]
08	302000600	1	DIFFUSOR 82.4X63.5X45	[11]
09	11253	3	Skrue Ka5,0X20 Aero	[11]
10	11256	4	Skrue Ka3,5X18	
11	47035	1	COLLAR 55 SHORE A EPDM	[10]
11	47036	1	Gummipakning	
12	107413311	1	AIR DUCT - KIT	[12]
13	11753	1	Filterelement (tørfilter)	
13	302000490	1	Filterelement PET-fleece M-klasse	
14	107402646	1	Filter Support Cage	
15	302000341	1	Dækplade t. filter	[11]
16	11565	3	Skrue Pt5X18	
17	302000355	1	Dæksel	[13]
18	909100083	1	Fjeder	[14]
19	302000344	1	Klap	[14]
20	61174	1	Jordkabel	
20	302000823	1	CONTACT SPRING 41.8X14 AS BR	[15]
21	302000928	1	SPRING CLIP 1.0-2.5/0.5	[16]

Part Notes:

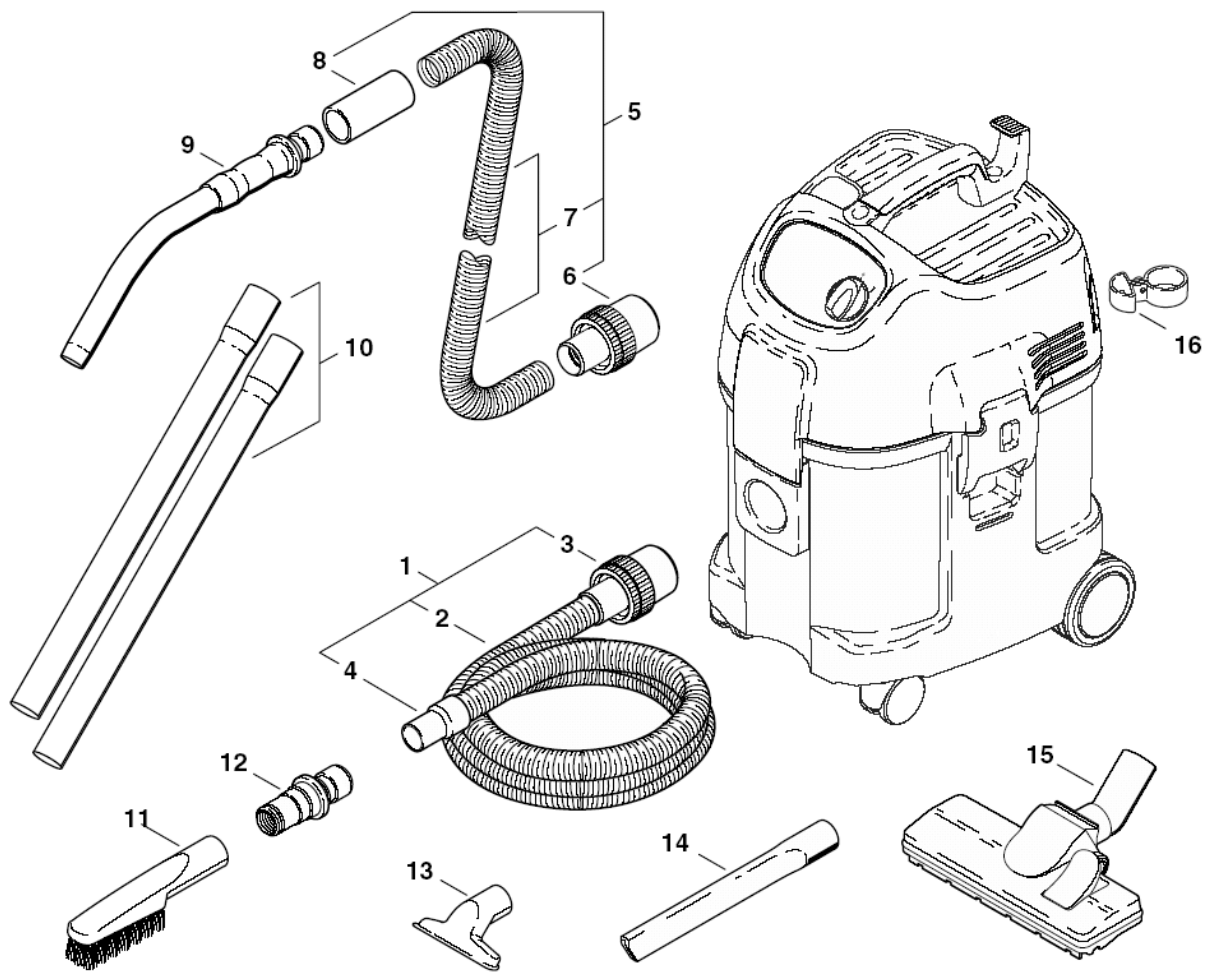
- [1] - 110-120V/1200W
- [2] - 220-240V/1200W
- [3] - 120V/1000W
- [4] - 100V/1200W
NO LONGER AVAILABLE
- [5] - FOR IDENTIF.LETTER "L"
- [6] - FOR IDENTIF.LETTER "C"
- [7] - FOR IDENTIF.LETTER "M"
- [8] - F. IDENTIF.LETTER"L"+"M"
- [9] - FOR IDENTIF. LETTER "C"
- [10] - ATTIX 8GALLON AS/E
- [11] - STOCK COVERS GUARANTEE
- [12] - GUARANTEE DATE EXPIRED
- [13] - ATTIX 350-01, 8GALLON, CENTIX
STOCK COVERS GUARANTEE
- [14] - ATTIX 360-11, 360-21, 8GALLON AS/E
- [15] - *GB*
- [16] - ATTIX 350-01 SHOP
NO LONGER AVAILABLE



Pos.	Vare-nr	Antal	Beskrivelse	Notes
01	302000473	1	Sugeslange m. rørbøjning Ø32, 3 m	
02	14240	1	Sugeslange universal pr. meter Ø32	
03	15103	1	Slangemuffe Ø32/50	
04	61154	1	Ring Ø32	
05	302000476	1	Bøsning	
06	60911	1	Rørbøjning Ø32/35	
07	46948	1	Sugeslange universal 3 m lynkobling Ø36	
08	15102	1	Slangemuffe Ø36/50	
09	11985	1	Sugeslange Ø36 pr. meter (max. 20 meter)	
10	46690	1	Slangemuffe universal Ø36	
11	302000528	1	Rørbøjning krom-belagt lynkobling Ø36	[1]
12	302000529	1	Forlængerrør krom 500 mm 2 stk. Ø36	[1]
12	107408074	1	Forlængerrør RF 505 mm 2 stk. Ø36	[2]
12	107400032	1	Forlængerrør alu 500 mm 2 stk. Ø36	[3]
13	107406091	1	Sugeslange AntiStatic 3,5m Ø27 m.adapter	
14	15369	1	Slangemuffe Antistat Ø27	
15	15326	1	Sugeslange AntiStatic pr. meter Ø27	
16	63509	1	Gevindstykke Ø27	
17	107404520	1	Adapter Ø27/36	
18	6084	1	Fugemundstykke plast 300 mm Ø36	
19	6086	1	Børstemundstykke plast 230 mm Ø36	
20	60916	1	Adapter til el-værktøj Ø36	
21	302000535	1	Adapter til el-værktøj AntiStatic	
22	14295	1	Polstermundstykke plast 115 mm Ø36	
23	302000477	1	Kombimundstykke plast 260 mm Ø36	
24	60609	1	Rørholder	
25	60356	1	Gulvmundstykke 360 mm Ø36 wet/dry	
26	5067	1	Fugemundstykke gummi 190 mm Ø36	
27	107417892	1	FLOOR NOZZLE COMBI Ø36X270MM	

Part Notes:

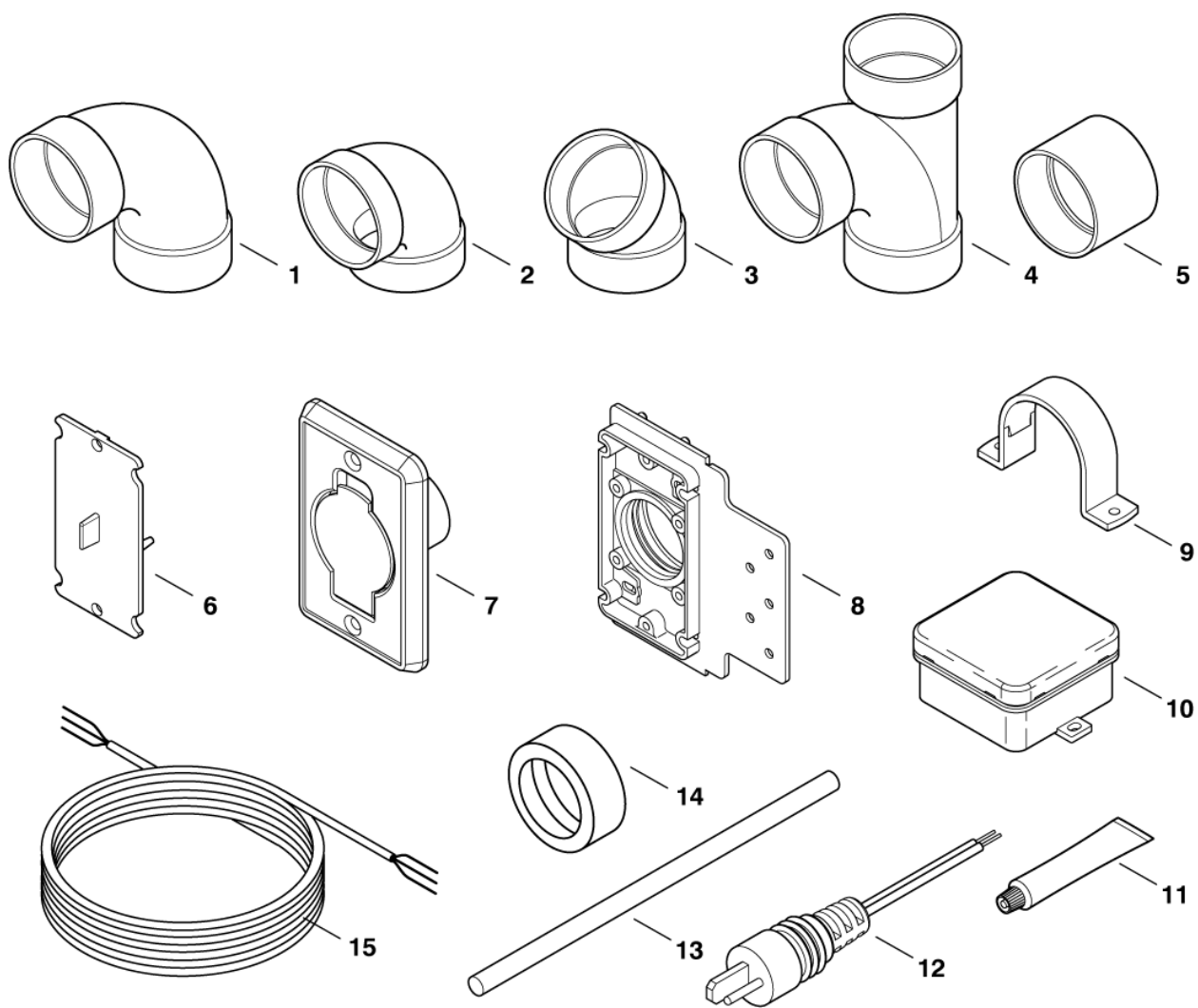
- [1] - CHROMIUM - PLATED STEEL
- [2] - STAINLESS, VA, RF
- [3] - ALUMINIUM - PAINTED SILVER



Pos.	Vare-nr	Antal	Beskrivelse	Notes
01	15805	1	Sugeslange 3 m Ø36	
02	11985	1	Sugeslange Ø36 pr. meter (max. 20 meter)	
03	15102	1	Slangemuffe Ø36/50	
04	11597	1	Muffe til rør Ø36	
05	302000693	1	SUCTION HOSE D32X4000 EL.CONDU	
06	30928	1	Adapt. Antistat Ø32	
07	43502	1	Slange Pr. Mtr. Ø 32Mm	
08	14682	1	Slangemuffe	
09	302000528	1	Rørbøjning krom-belagt lynkobling Ø36	[1]
10	302000529	1	Forlængerrør krom 500 mm 2 stk. Ø36	[1]
10	107400032	1	Forlængerrør alu 500 mm 2 stk. Ø36	[2]
11	6086	1	Børstemundstykke plast 230 mm Ø36	
12	302000535	1	Adapter til el-værktøj AntiStatic	
13	14295	1	Polstermundstykke plast 115 mm Ø36	
14	6084	1	Fugemundstykke plast 300 mm Ø36	
15	302000477	1	Kombimundstykke plast 260 mm Ø36	
16	60609	1	Rørholder	

Part Notes:

- [1] - CHROMIUM - PLATED STEEL
 [2] - ALUMINIUM - PAINTED SILVER



Pos.	Vare-nr	Antal	Beskrivelse	Notes
00	302001194	1	Centix Installation Kit 3	
01	42000252	1	Bøjning 90gr lang blød	
02	42000254	1	90gr kort bøjning	
03	42000249	1	Bøjning 45gr	
04	42000258	1	Grenrør 90gr	
05	42000262	1	Rørsamlemuffe	
06	302001251	1	Bagplade	
07	302001614	1	Sugekontakt til Centix hvid	[1]
07	42000414	1	Sugekontakt hvid plast m. synlige skruer	[2]
08	302001248	1	Ramme	[3]
09	42000265	1	Rørholder plast	
10	64200	1	Forgreningsbox	[4]
11	42000245	1	Lim til PVC	
12	302001270	1	Stik Adaptor For Centix	[5]
13	42000191	1	Rør hvid plast 1,15 m Ø51	
14	302001254	1	Reduktionsnippel	
15	302001272	1	CABLE FOR INSTALLATION 25M	[5]

Part Notes:

- [1] - SQUARE, not part of installation pack
PRUNED ACCESSORY
- [2] - Rectangular, part of installation pack
- [3] - ALTERNATIVE 302001257
- [4] - NO LONGER AVAILABLE
- [5] - GUARANTEE DATE EXPIRED

