

# PARTS LIST

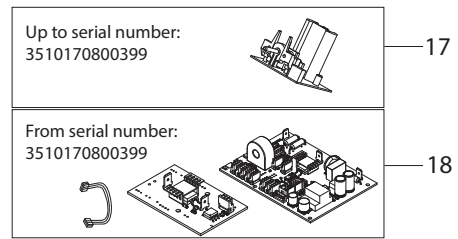
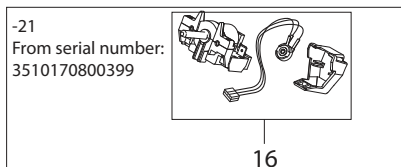
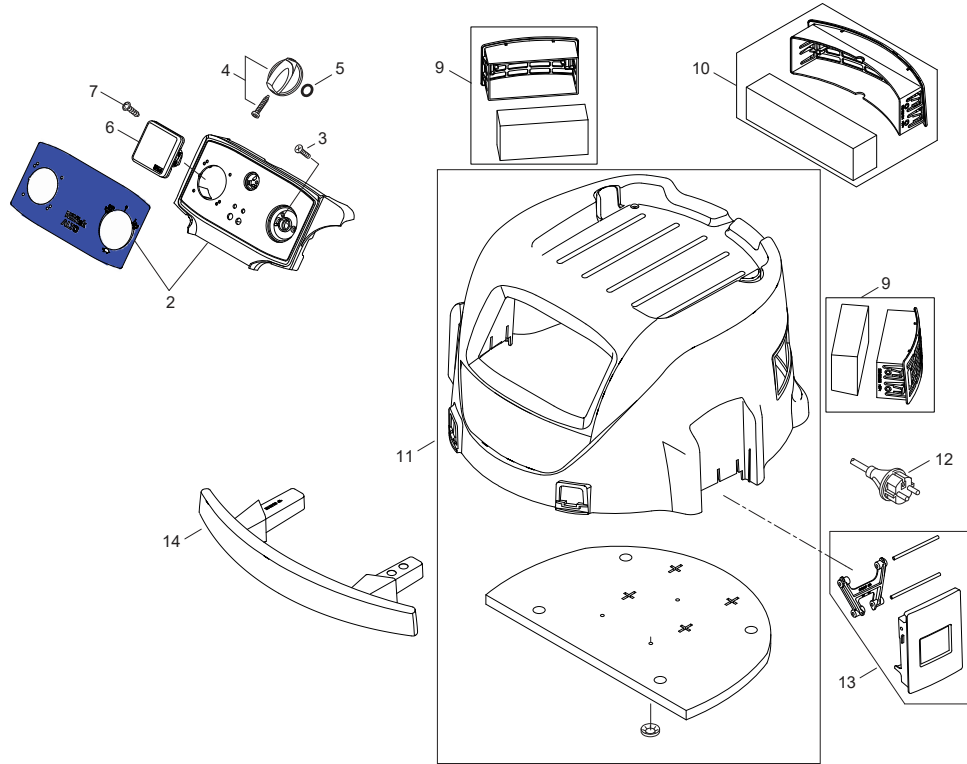


2022.06.16

# TABLE OF CONTENTS

---

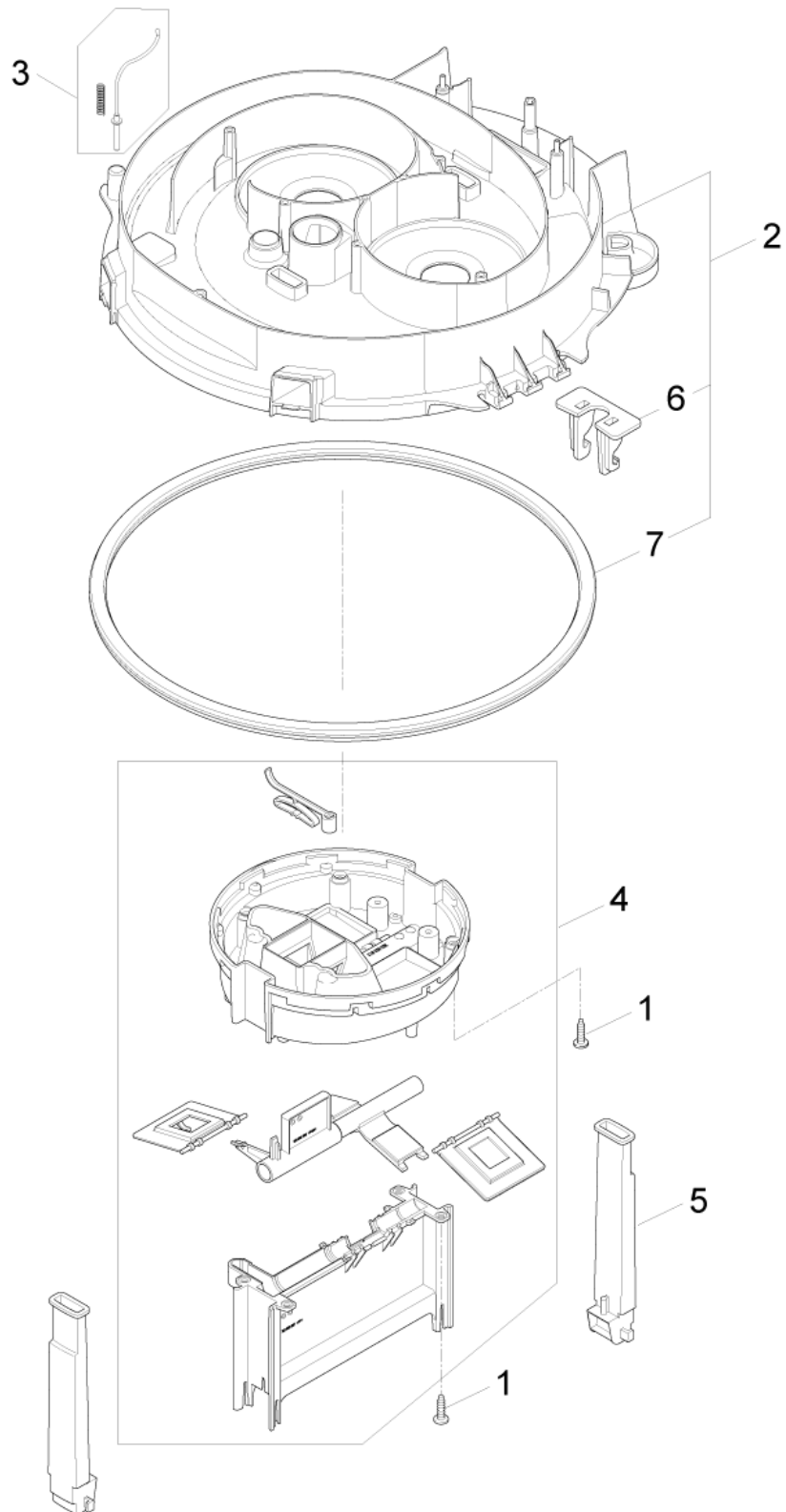
|                                       |    |
|---------------------------------------|----|
| Cabinet SD XC .....                   | 1  |
| Base SD XC .....                      | 3  |
| Filter system .....                   | 5  |
| Motor and motor top SD XC .....       | 7  |
| Container top and chassis SD XC ..... | 9  |
| Container SD XC .....                 | 11 |
| Accessories .....                     | 13 |
| RECOMMENDED SPARE PARTS .....         | 15 |



| Pos. | Vare-nr   | Antal | Beskrivelse                         | Notes |
|------|-----------|-------|-------------------------------------|-------|
| 00   | 302003274 | 1     | SHIPPING CARTON BOX ATTIX 9 SD      |       |
| 1    | 302003319 | 1     | Skrue-Sæt                           |       |
| 2    | 302003381 | 1     | DISPLAY AUTO-0-I +SD ATTIX9         |       |
| 3    | 18274     | 2     | Skrue M4X12                         |       |
| 4    | 909100204 | 1     | Drejeknap                           |       |
| 5    | 9868      | 1     | O-ring 10.0X2.5                     |       |
| 6    | 302004034 | 1     | Stikdåse 16A/250V Eu                |       |
| 7    | 107402837 | 4     | SCREW 3.5X14                        |       |
| 9    | 302003397 | 2     | Filter                              |       |
| 10   | 302003398 | 1     | Udblæsningsfilter ATTIX 9           |       |
| 11   | 302003425 | 1     | Hood kit til ATTIX 9 XC             |       |
| 12   | 302002791 | 1     | WIRE NETZ H07RN-F3G1.0X10.8M        |       |
| 12   | 107402666 | 1     | POWERCORD 1.5X10.8M CEE7 EU         |       |
| 12   | 302002789 | 1     | CABLE 10.6 METER CH                 |       |
| 12   | 302002788 | 1     | LTG NETZ H07RN-F3G1.5X10.6M         |       |
| 12   | 302002790 | 1     | LTG NETZ H07BQ-F3G2.5X10.8M CE      |       |
| 13   | 302003383 | 1     | Lukkeclamp                          |       |
| 14   | 302002590 | 1     | Håndtag                             |       |
| 16   | 107413449 | 1     | ROTARY SWITCH 3 POS+REG 16A KIT     |       |
| 17   | 107401081 | 1     | Elektronik Auto-0-I Kit             |       |
| 18   | 107416934 |       | PCBA AUTO CLEAN 2M-1S KIT2 220-240V | [1]   |
| 19   | 107416927 | 1     | WIRE/CAPACITOR KIT2                 |       |

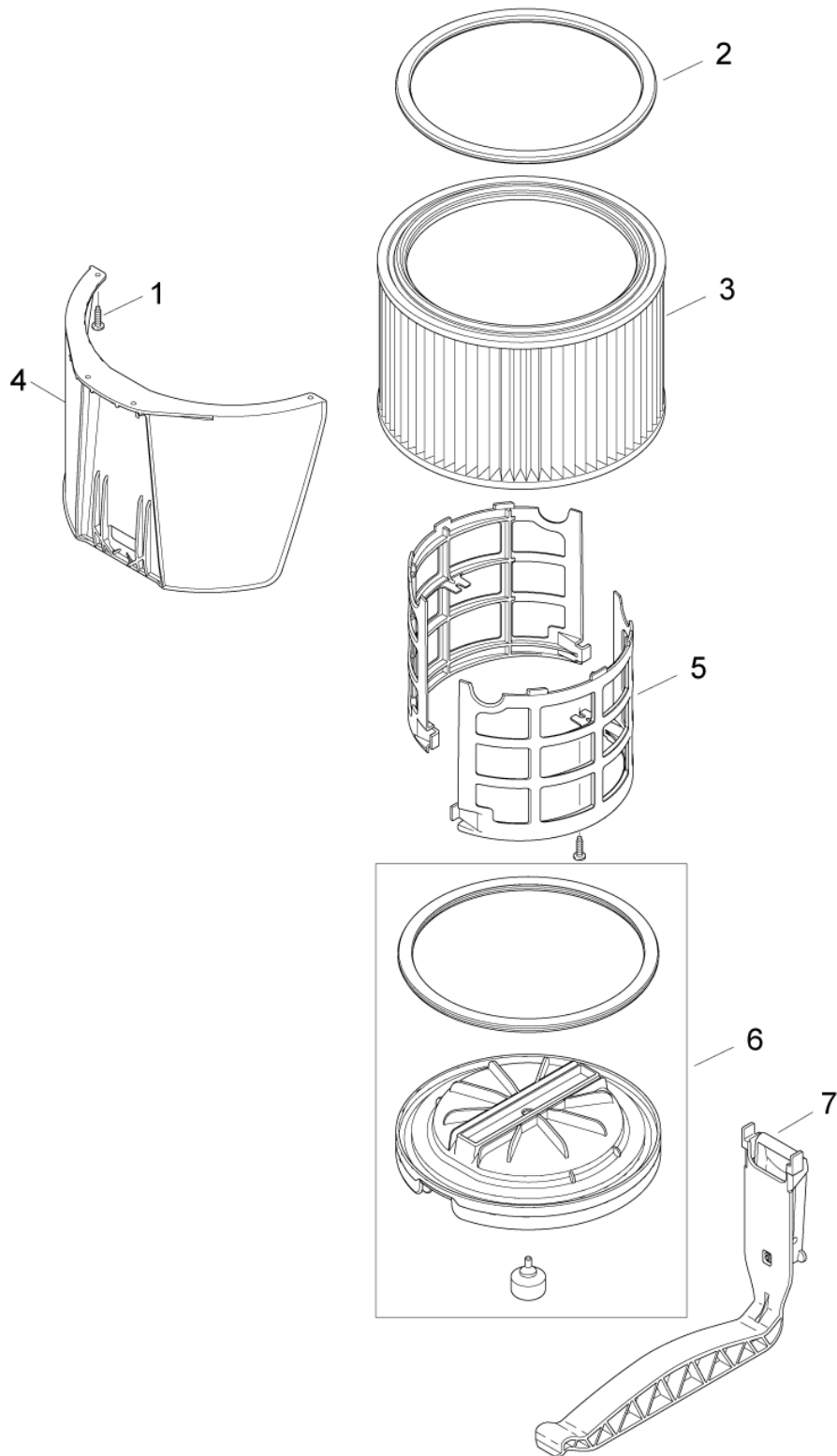
## Part Notes:

[1] - PB-COM-LI-2017-002 ATTIX-IVB 965\_New Electronics



---

| Pos. | Vare-nr   | Antal | Beskrivelse                    | Notes |
|------|-----------|-------|--------------------------------|-------|
| 1    | 302003319 | 1     | Skrue-Sæt                      |       |
| 2    | 302003598 | 1     | Monteringsplade                |       |
| 3    | 107402835 | 1     | CONTACT SPRING WIRE AND FASTON |       |
| 4    | 302003422 | 1     | Filter Reng. System Xc         |       |
| 5    | 302000514 | 2     | Pakning                        |       |
| 6    | 107413313 | 1     | FIXTURE 72X32X52 - KIT         |       |
| 7    | 302001432 | 1     | Pakning Container              |       |

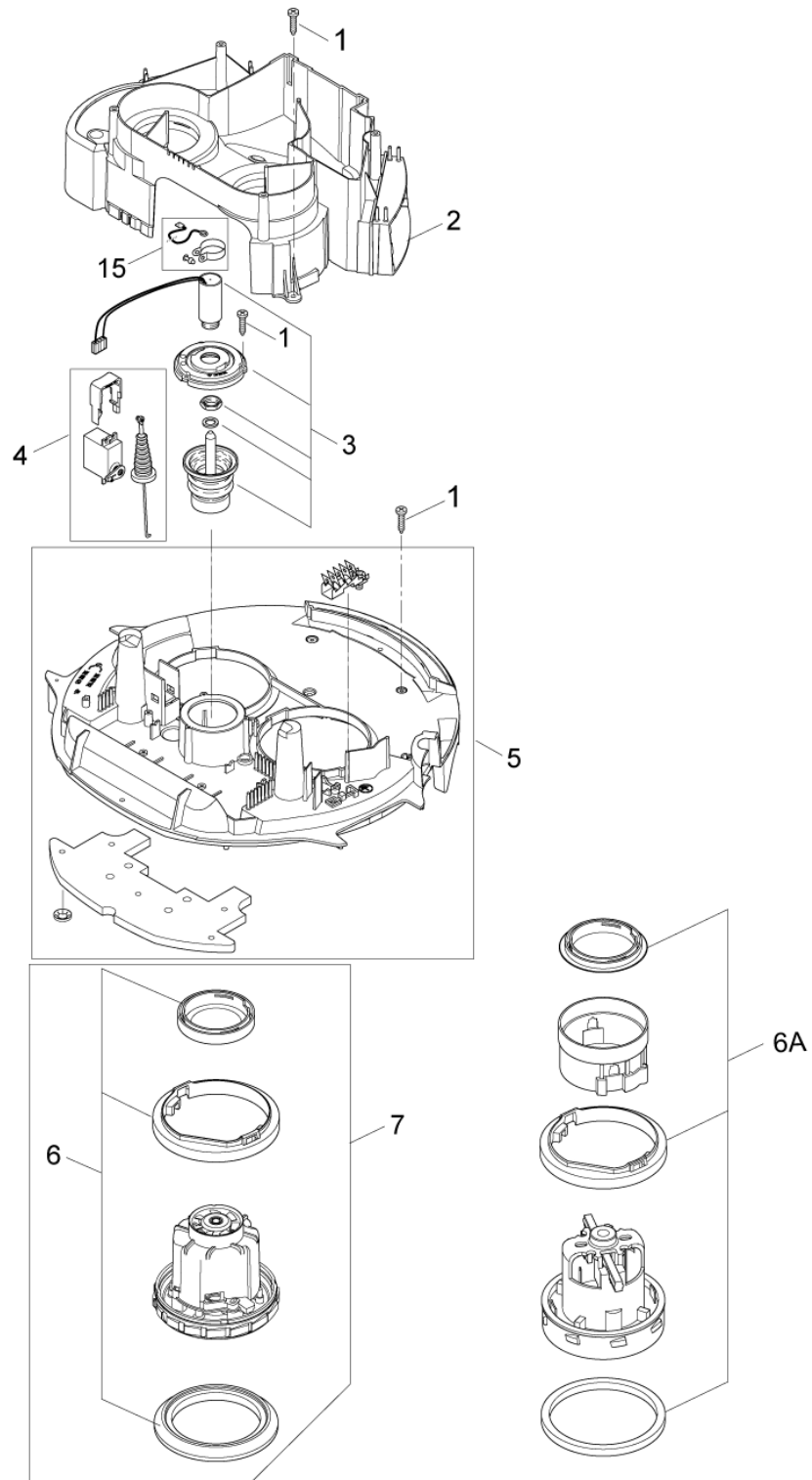


| Pos. | Vare-nr   | Antal | Beskrivelse                           | Notes |
|------|-----------|-------|---------------------------------------|-------|
| 1    | 302003319 | 1     | Skrue-Sæt                             | [1]   |
| 1    | 302003376 | 1     | Skrue-Sæt                             | [2]   |
| 2    | 302000697 | 1     | Gasket Filter                         |       |
| 3    | 107400562 | 1     | Filterelement PET Nano-fiber M-klasse |       |
| 4    | 107402640 | 1     | Deflector 318X180X212 Kit             |       |
| 5    | 302000385 | 1     | Filterhus                             |       |
| 6    | 107402653 | 1     | Bundplade F/Filter                    |       |
| 7    | 107402651 | 1     | Holder For Filter                     |       |

Part Notes:

- [1] - BASIC
- [2] - SD XC

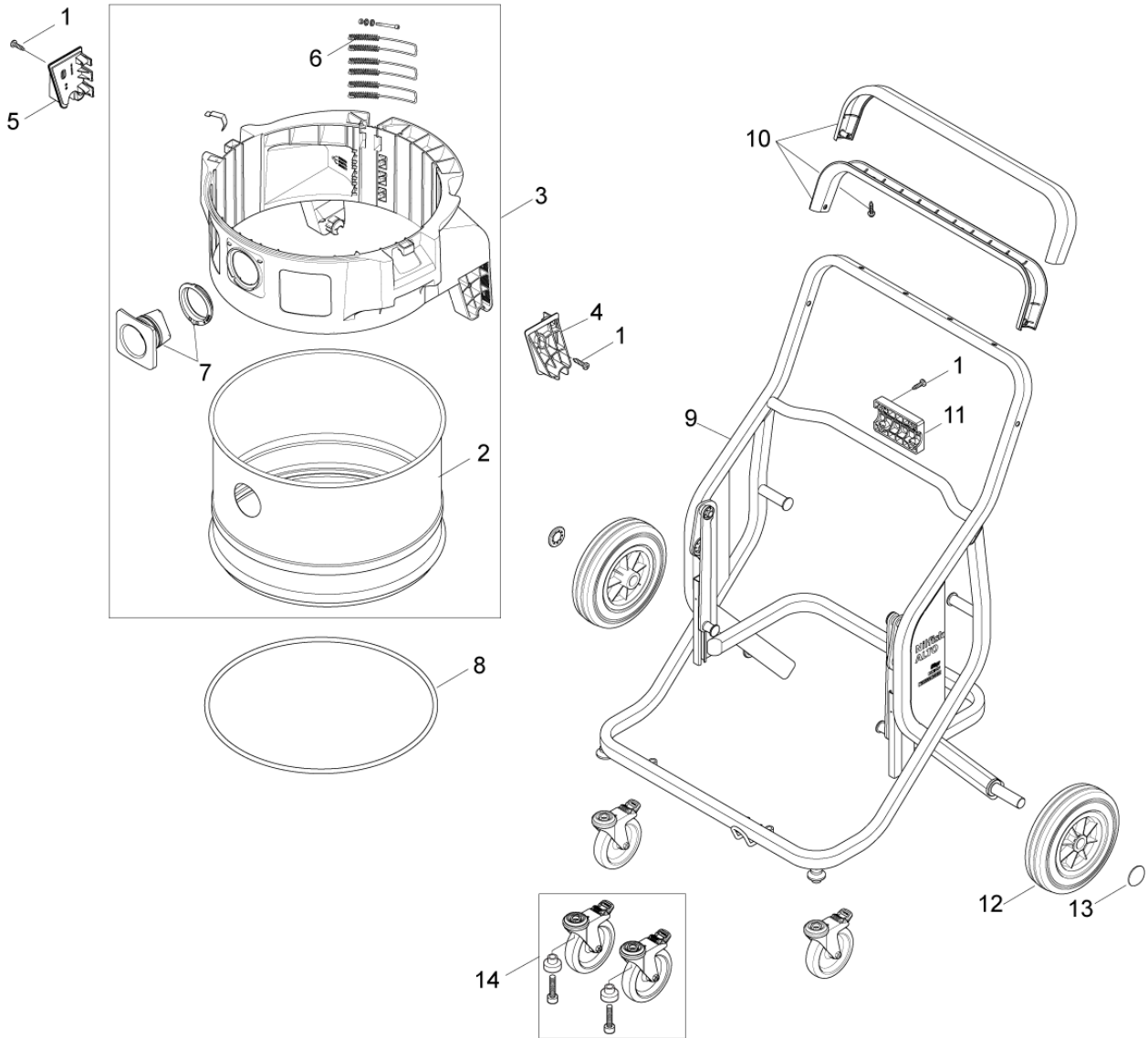




| Pos. | Vare-nr   | Antal | Beskrivelse                 | Notes |
|------|-----------|-------|-----------------------------|-------|
| 1    | 302003319 | 1     | Skrue-Sæt                   |       |
| 2    | 107400043 | 1     | AIRGUIDE ATTIX 9 KIT        |       |
| 3    | 107400291 | 1     | Magnet 230V                 |       |
| 4    | 302003421 | 1     | Servo Motor                 |       |
| 5    | 302003423 | 1     | Spændeplade                 |       |
| 6    | 302003385 | 1     | Paknings-Sæt                |       |
| 6A   | 302003390 | 1     | Sealing Kit S               | [1]   |
| 7    | 302003386 | 1     | Turbine kit 1000W 230V      |       |
| 7    | 302003388 | 1     | Turbine kit 1000W 120V      |       |
| 7    | 302003384 | 1     | Sugemotor 1200W 230V        |       |
| 15   | 107402836 | 1     | EARTH CLIP FOR MAGNET - KIT | [2]   |

## Part Notes:

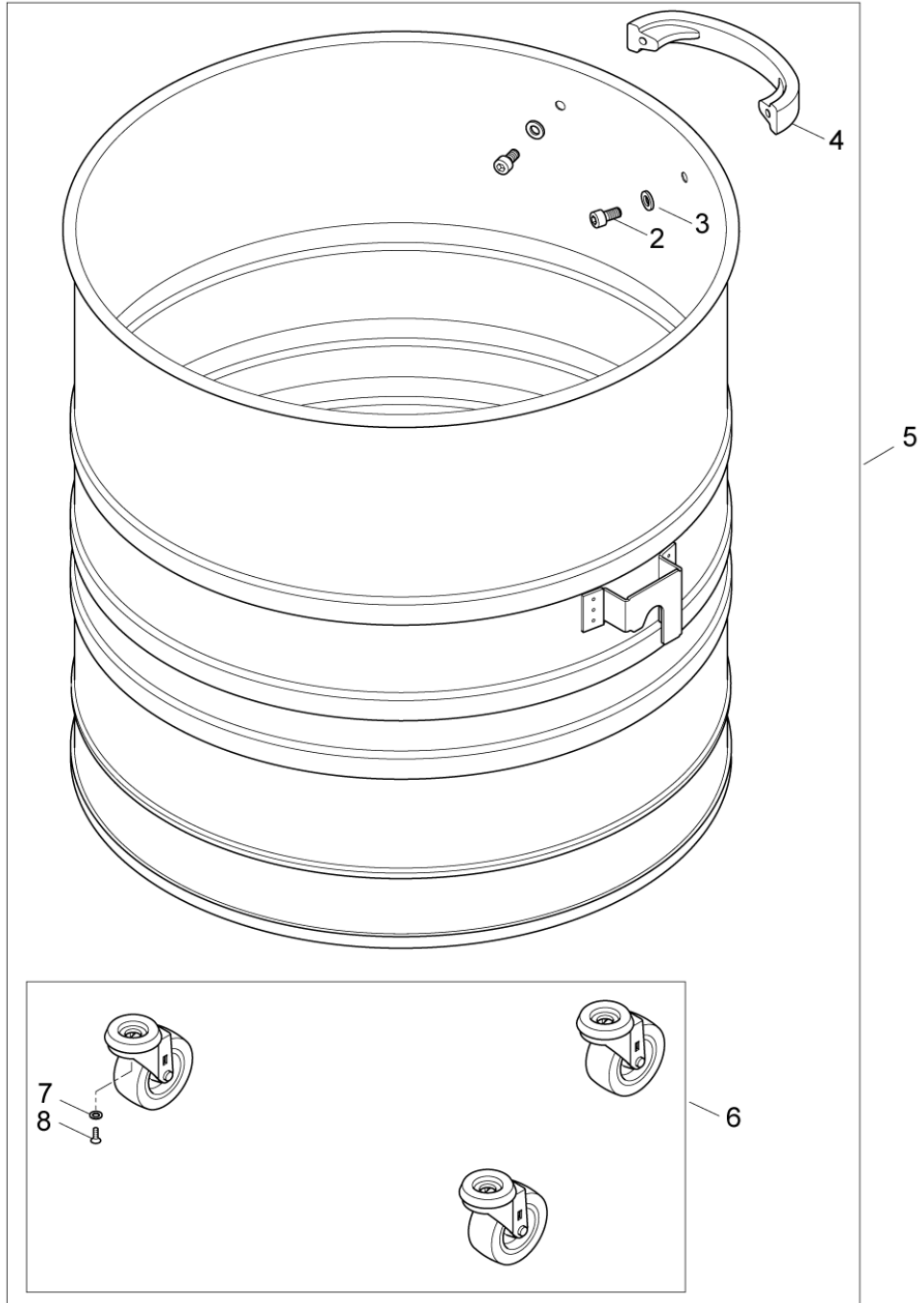
- [1] - ALTERNATIVE USE 107417417
- [2] - STOCK COVERS GUARANTEE



| Pos. | Vare-nr   | Antal | Beskrivelse            | Notes |
|------|-----------|-------|------------------------|-------|
| 1    | 302003319 | 1     | Skrue-Sæt              |       |
| 2    | 302002580 | 1     | CONTAINER RING         |       |
| 3    | 302003419 | 1     | Ring For Beholder      |       |
| 4    | 302002895 | 1     | FITTING PLATE RH       |       |
| 5    | 302002896 | 1     | FITTING PLATE LH       |       |
| 7    | 302003380 | 1     | Slangeindgang          | [1]   |
| 8    | 302002608 | 1     | Pakning, 8X394         |       |
| 9    | 302003087 | 1     | Preassembled Sd Chassi |       |
| 10   | 302003418 | 1     | Rep.Sæt For Håndtag    |       |
| 11   | 302002769 | 1     | SD CHASSIS MOUNT       |       |
| 12   | 107401077 | 2     | Hjul 200X50            |       |
| 13   | 3750      | 2     | Lås Ø20                |       |
| 14   | 107401054 | 1     | Hjulsæt                |       |
| 15   | 909100383 | 1     | Spring 1.40X7.5X113    |       |

## Part Notes:

[1] - See STI VAC-094



| Pos. | Vare-nr   | Antal | Beskrivelse                     | Notes |
|------|-----------|-------|---------------------------------|-------|
| 0-   | 302003319 | 1     | Skrue-Sæt                       |       |
| 2    | 14664     | 2     | Skrue                           |       |
| 3    | 14805     | 2     | Skive                           |       |
| 4    | 14663     | 1     | Greb Turbo-D                    |       |
| 5    | 302003127 | 1     | Beholder til ATTIX 9 SD komplet |       |
| 6    | 107401920 | 1     | Caster D50X20 H64 D10.2 K It    |       |
| 7    | 6100718   | 3     | Skive F. Stagbolt               |       |
| 8    | 24310     | 3     | Skrue M8X16                     |       |



| Pos. | Vare-nr   | Antal | Beskrivelse                           | Notes |
|------|-----------|-------|---------------------------------------|-------|
| 00   | 302001480 | 1     | Opsamlingsposer (5 stk.)              |       |
| 1    | 302003003 | 1     | Opsamlingskurv                        |       |
| 1a   | 107400034 | 1     | PIN FOR GUIDEPLATE                    | [1]   |
| 2    | 302002624 | 1     | Tilbehørskurv                         |       |
| 3    | 107409036 | 1     | UDBLÆSNINGSSTUDS                      |       |
| 4    | 107400041 | 1     | Filterenhed komplet for motorafkøling | [2]   |
| 5    | 302002622 | 1     | Løftébøjle til gaffeltruck/kran       | [3]   |
| 6    | 107401368 | 1     | Sugeslange antistatisk 5 m Ø38        |       |
| 6a   | 107410009 | 1     | TOOL ADAPTOR AS D38 UNIVERSAL KIT     | [4]   |
| 6b   | 107401525 | 1     | Drejekobl. Ø38 AS slange-beholder     | [4]   |
| 7    | 302002796 | 1     | Sugeslange universal 4 m Ø38          |       |
| 7a   | 107400049 | 1     | Drejekobl. Ø38 slange-beholder        | [5]   |
| 8    | 107402474 | 1     | Forlængerrør RF 500 mm 2 stk. Ø38     |       |
| 9    | 302002889 | 1     | Rørbøjning RF Ø38                     |       |
| 10   | 302002890 | 1     | Fugemundstykke plast 300 mm Ø38       |       |
| 11   | 302002884 | 1     | Adapter til el-værktøj Ø38/Ø50        |       |
| 12   | 302002798 | 1     | Gulvmundstykke 400 mm Ø38             |       |
| 13   | 107400562 | 1     | Filterelement PET Nano-fiber M-klasse |       |
| 15   | 302002892 | 1     | Støvsugerposer fleece (5 stk.)        |       |
|      | 302002799 | 1     | Gulvmundstykke 450 mm Ø38             |       |
|      | 302002885 |       | Metal-filter til vådsugning RF        |       |
|      | 302002887 |       | Slangemuffe til rør Ø38               |       |

Part Notes:

- [1] - part of 302003003
- [2] - Type 22
- [3] - NO REPLACEMENT
- [4] - Adapter for hose 107401368
- [5] - for 3020002796





# RECOMMENDED SPARE PARTS

ATTIX 965-21 SD XC

2017.11.02

2013.04.02

| Pos. | Vare-nr   | Antal | Beskrivelse                           | Notes |
|------|-----------|-------|---------------------------------------|-------|
| 01   | 107401054 | 1     | Hjulsæt                               |       |
| 01   | 107401081 | 1     | Elektronik Auto-0-I Kit               |       |
| 01   | 107402651 | 1     | Holder For Filter                     |       |
| 01   | 302002608 | 1     | Pakning, 8X394                        |       |
| 01   | 302003598 | 1     | Monteringsplade                       |       |
| 01   | 302003423 | 1     | Spændeplade                           |       |
| 01   | 3750      | 1     | Lås Ø20                               |       |
| 01   | 107402653 | 1     | Bundplade F/Filter                    |       |
| 01   | 302002895 | 1     | FITTING PLATE RH                      |       |
| 01   | 302000514 | 1     | Pakning                               |       |
| 01   | 107400043 | 1     | AIRGUIDE ATTIX 9 KIT                  |       |
| 01   | 302003383 | 1     | Lukkeclamp                            |       |
| 01   | 302003384 | 1     | Sugemotor 1200W 230V                  |       |
| 01   | 302002769 | 1     | SD CHASSIS MOUNT                      |       |
| 01   | 24310     | 1     | Skruer M8X16                          |       |
| 01   | 14663     | 1     | Greb Turbo-D                          |       |
| 01   | 302003419 | 1     | Ring For Beholder                     |       |
| 01   | 302002788 | 1     | LTG NETZ H07RN-F3G1.5X10.6M           |       |
| 01   | 302003319 | 1     | Skruer-Sæt                            |       |
| 01   | 302000697 | 1     | Gasket Filter                         |       |
| 01   | 302002790 | 1     | LTG NETZ H07BQ-F3G2.5X10.8M CE        |       |
| 01   | 302003422 | 1     | Filter Reng. System Xc                |       |
| 01   | 302002789 | 1     | CABLE 10.6 METER CH                   |       |
| 01   | 302003385 | 1     | Paknings-Sæt                          |       |
| 01   | 302004034 | 1     | Stikdåse 16A/250V Eu                  |       |
| 01   | 302000385 | 1     | Filterhus                             |       |
| 01   | 302003386 | 1     | Turbine kit 1000W 230V                |       |
| 01   | 302001432 | 1     | Pakning Container                     |       |
| 01   | 302003425 | 1     | Hood kit til ATTIX 9 XC               |       |
| 01   | 302002896 | 1     | FITTING PLATE LH                      |       |
| 01   | 107400562 | 1     | Filterelement PET Nano-fiber M-klasse |       |
| 01   | 302003380 | 1     | Slangeindgang                         |       |
| 01   | 302002791 | 1     | WIRE NETZ H07RN-F3G1.0X10.8M          |       |
| 01   | 302002590 | 1     | Håndtag                               |       |
| 01   | 107401077 | 1     | Hjul 200X50                           |       |
| 01   | 302003390 | 1     | Sealing Kit S                         | [1]   |
| 01   | 107400291 | 1     | Magnet 230V                           |       |
| 01   | 107402666 | 1     | POWERCORD 1.5X10.8M CEE7 EU           |       |
| 01   | 107402835 | 1     | CONTACT SPRING WIRE AND FASTON        |       |
| 01   | 302003388 | 1     | Turbine kit 1000W 120V                |       |
| 01   | 302003421 | 1     | Servo Motor                           |       |

Part Notes:

[1] - ALTERNATIVE USE 107417417

