

PARTS LIST



2017.07.10

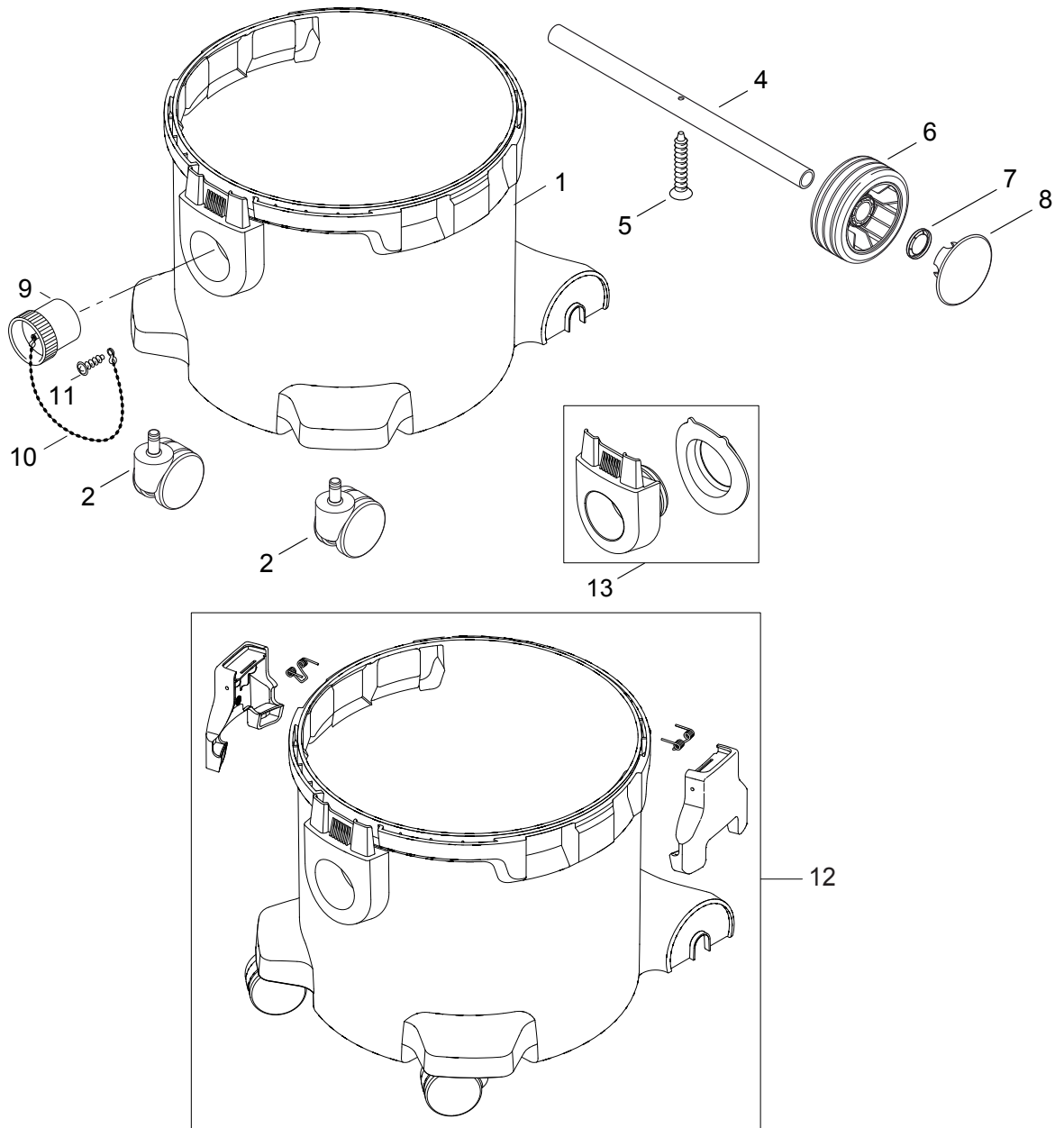
TABLE OF CONTENTS

Cabinet	1
Container ATTIX 30 H/M.....	3
Container ATTIX 50 H/M.....	5
Filtersystem H and M PC	7
Filtersystem M XC.....	9
Motor PC	11
Motor XC.....	13
Accessories.....	15
RECOMMENDED SPARE PARTS.....	17

Pos.	Vare-nr	Antal	Beskrivelse	Notes
00	302003502	1	BOX KIT ATTIX 30	
00	302003504	1	BOX ATTIX 50	
1	107400499	1	SWITCHBOX NILFISK-ALTO 0H/M	
2	107400500	1	SWITCHBOX NILFISK-ALTO 2H/M	
3	107400575	1	TURNING KNOB FOR POTI - BLACK	
4	107400576	1	O-RING 21X1.5	
5	9868	1	O-ring 10.0X2.5	
6	32526	1	TREAD-CUTTING SCREW 2.9X19 C ISO 1483 ZN	
7	909100204	1	Drejeknap	
8	107400034	1	PIN FOR GUIDEPLATE	
8	302004336	1	SOCKET 13A/250V GB	
8	302004034	1	Stikdåse 16A/250V Eu	
8	107400057	1	SOCKET 16A/110V GB	
9	302000429	1	Electronic Potentiometer	
10	107400491	1	Electronics 2H+M Pc 230V Set-1	
10	107400494	1	ELECTRONICS 2H+M PC 100-120V	[1]
10	107400493	1	ELECTRONICS 0H+M PC 100-120V	
10	107400492	1	ELECTRONICS 2H+M XC 230V SET-1	
10	107400495	1	ELECTRONICS 2H+M XC 100-120V	
10	107400490	1	ELECTRONICS 0H+M PC 230V SET-1	
11	302004050	1	Håndtag	[2]
11	107400062	1	Bærehåndtag	[3]
12	302004051	1	FILTER DEDUSTER	
13	302004061	1	O-RING 25X2 NBR 70	
14	302004046	1	COVER BLACK PC	
14	107400061	1	Cover Black Xc Basic	
15	302004027	1	Rørholder	
16	107400064	1	Holder For Sugerør	
17	107400270	1	CORD H05RR-F 3G1.5 BS1 363 GB	[4]
17	107400271	1	CORD H07BQ-F 3G2.5 GB	[5]
17	107400573	1	CORD H07RN-F 3G1.5 CEE EU	
17	107400574	1	CORD H05BQ-F 3G1.0 CEE GB 110	[6]
17	107402641	1	Power Cord H05Rr-F 3G1.5X 8X2	[7]
18	107400264	1	WIRE 1 X 150 220-240V	
18	107400263	1	WIRE 2.5 X 250 YE/GR 100-120V	
19	302004032	1	SCREW 3.5X18	
20	302003704	1	SCREW EJOT DELTA PT50X18WN5451	
21	107401548	1	LABEL DUSTCLASS H 130X44 PVC	[8]
22	107401291	1	SP-LABEL DUSTCLAS M 130X44 PVC	

Part Notes:

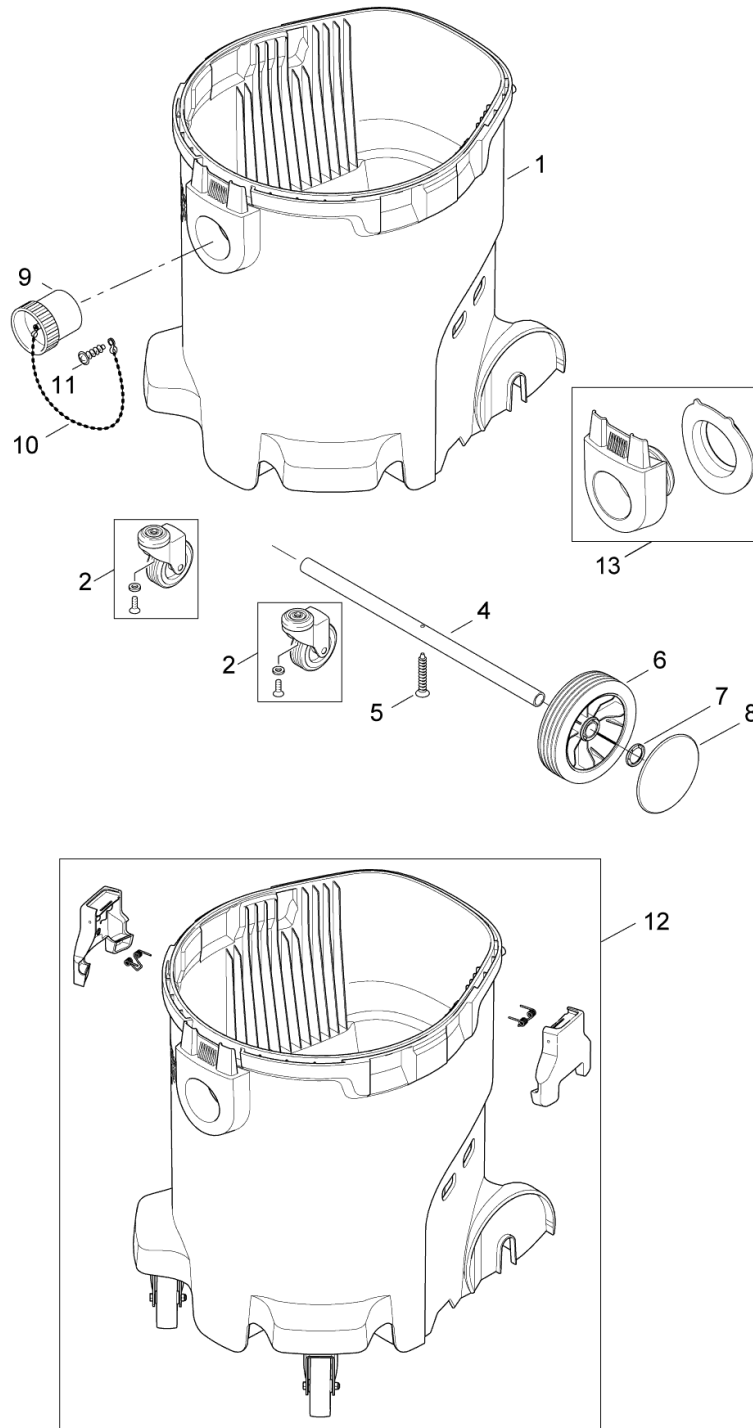
- [1] - STOCK COVERS GUARANTEE
- [2] - XC
- [3] - PC
- [4] - GB - 230V 50Hz - with fuse 13A
- [5] - CEE 3 pol. 32A-4h 110V 50Hz, GB
- [6] - CEE 3pol. Menekes - Typ 147, 10A / 4h / 110V, GB
- [7] - EU
- [8] - H-Class



Pos.	Vare-nr	Antal	Beskrivelse	Notes
1	107400304	1	Beholder med fittings	
2	107415105	2	GUIDE ROLLER Ø60 PIN Ø11X22	
4	302004022	1	Hjulaksel	
5	107400063	1	Skruer 5X35	
6	302000465	2	Hjul	
7	47302	2	Låseskive	
8	65202	2	Navkapsel Sq	[1]
9	14775	1	Plastmuffe Ø50	
10	30081	1	BEAD CHAIN 150MM WITH EYES ST/	
11	24738	1	SCREW KA35X 8 WN1411	
12	107400311	1	Container kit	
13	107402742	1	Indgangstuds, kit	

Part Notes:

[1] - STOCK COVERS GUARANTEE

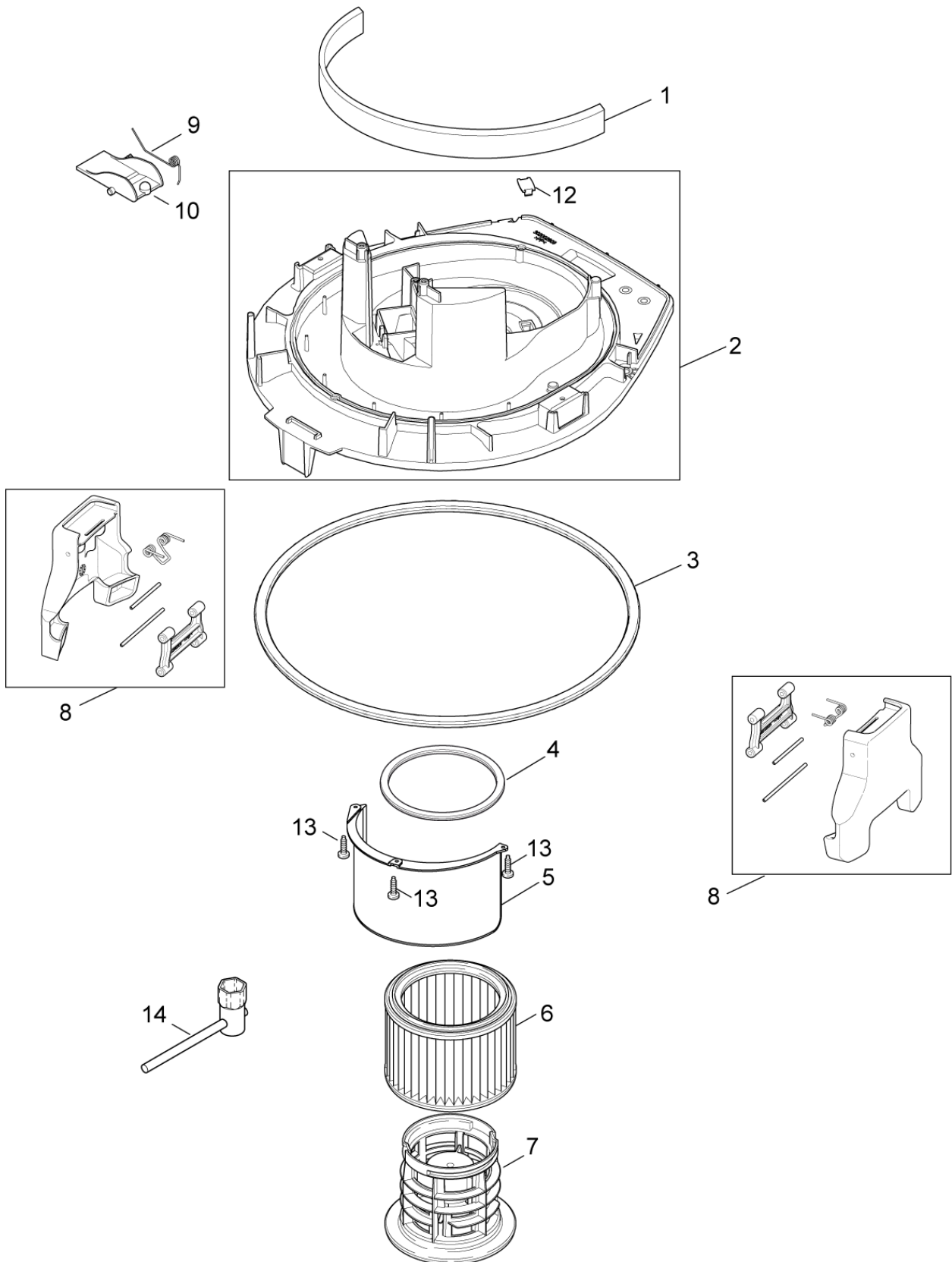


Pos.	Vare-nr	Antal	Beskrivelse	Notes
1	107400305	1	Beholder med fittings	[1]
2	302004059	2	Hjul til beholder	
4	302004022	1	Hjulaksel	
5	107400063	1	Skrue 5X35	
6	302000639	2	Hjul Ø150	
7	47302	2	Låseskive	
8	67050	2	Navkapsel	
9	14775	1	Plastmuffe Ø50	
10	30081	1	BEAD CHAIN 150MM WITH EYES ST/	
11	24738	1	SCREW KA35X 8 WN1411	
12	107400312	1	Container kit	[1]
13	107402742	1	Indgangsstuds, kit	

Part Notes:

[1] - Vac-092 clamp and container

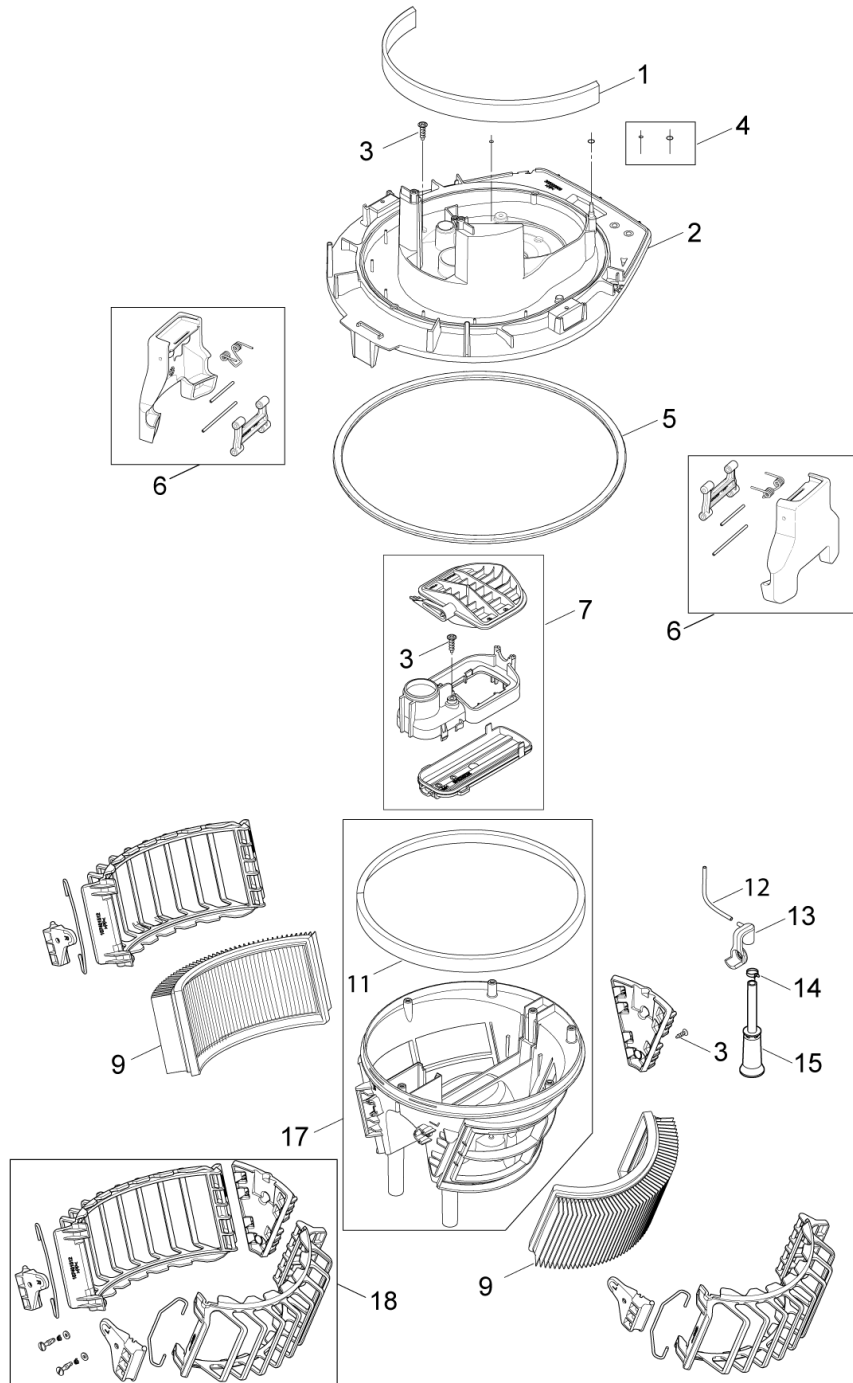
For machines produced before serial number 09110030030 use Container upgrade kit 107400312



Pos.	Vare-nr	Antal	Beskrivelse	Notes
1	302004010	1	Sound Insulation Front	
2	302004007	1	Monteringsplade	
3	107400056	1	Pakning For Beholder	[1]
3	302004008	1	Pakning	[2]
4	302000460	1	Tætning til filter	
5	302004016	1	Afskærmning	
6	302000658	1	Filterelement H-klasse	[3]
6	302000490	1	Filterelement PET-fleece M-klasse	[4]
7	107400577	1	Filter Support Cage -H-Se T-1	[5]
7	107402646	1	Filter Support Cage	[4]
8	107400301	2	Clamp For Beholder	[6]
9	909100083	1	Fjeder	
10	302000344	1	Klap	
12	107401937	1	PLUG BASE PLATE KIT	[7]
13	302004029	3	Screw 5X18	
14	107400755	1	TEE WRENCH HEXAGON 24MM DIN659	

Part Notes:

- [1] - ATTIX 50
- [2] - ATTIX 30
- [3] - H
CONTACT PM IN ZOCCA
- [4] - M
- [5] - H
- [6] - * SEE NOTE
- [7] - For machines up to week 35.2011

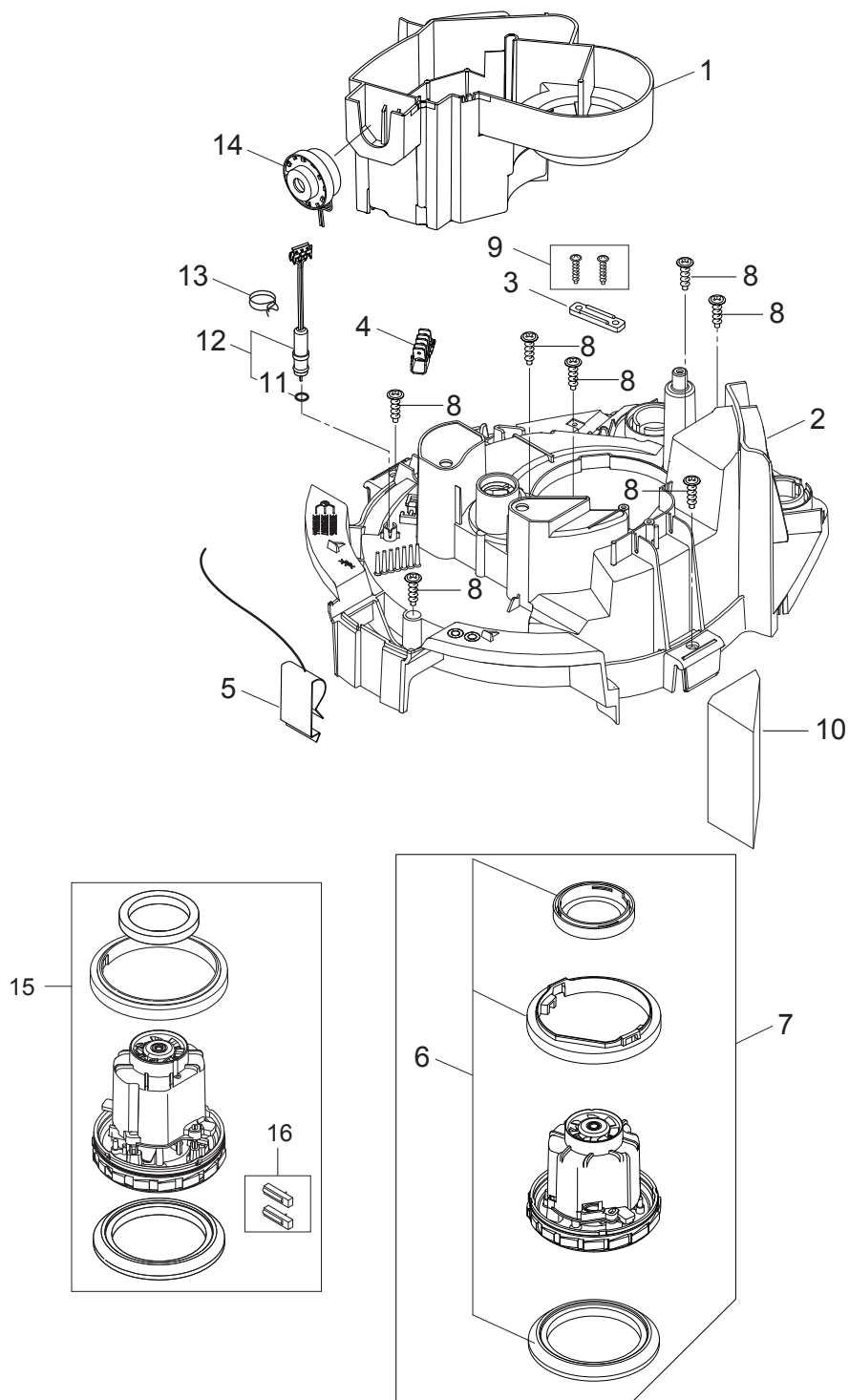


Pos.	Vare-nr	Antal	Beskrivelse	Notes
1	302004010	1	Sound Insulation Front	
2	107400300	1	Spændeplade	
3	302004029	9	Screw 5X18	
4	107400274	1	O-RING XC KIT	
5	107400056	1	Pakning For Beholder	[1]
5	302004008	1	Pakning	[2]
6	107400301	2	Clamp For Beholder	
7	107400277	1	CX FLAP KIT	
9	302002842	1	Kassette-filter PET Nano M-kl. (2 stk.)	
11	107400283	1	Pakning	
12	107400855	1	HOSE D3X1.5 TURBINE SIDE XC	
13	107400310	1	MOUNT FOR WATERLEVEL CONTROL	
14	107400285	1	BAND CLAMP FITTING	
15	107400303	1	Slange, Ø42 X 155	
17	107400302	1	Filterkonsol	
18	107402255	1	Filtermonteringsæt XC	

Part Notes:

[1] - ATTIX 50

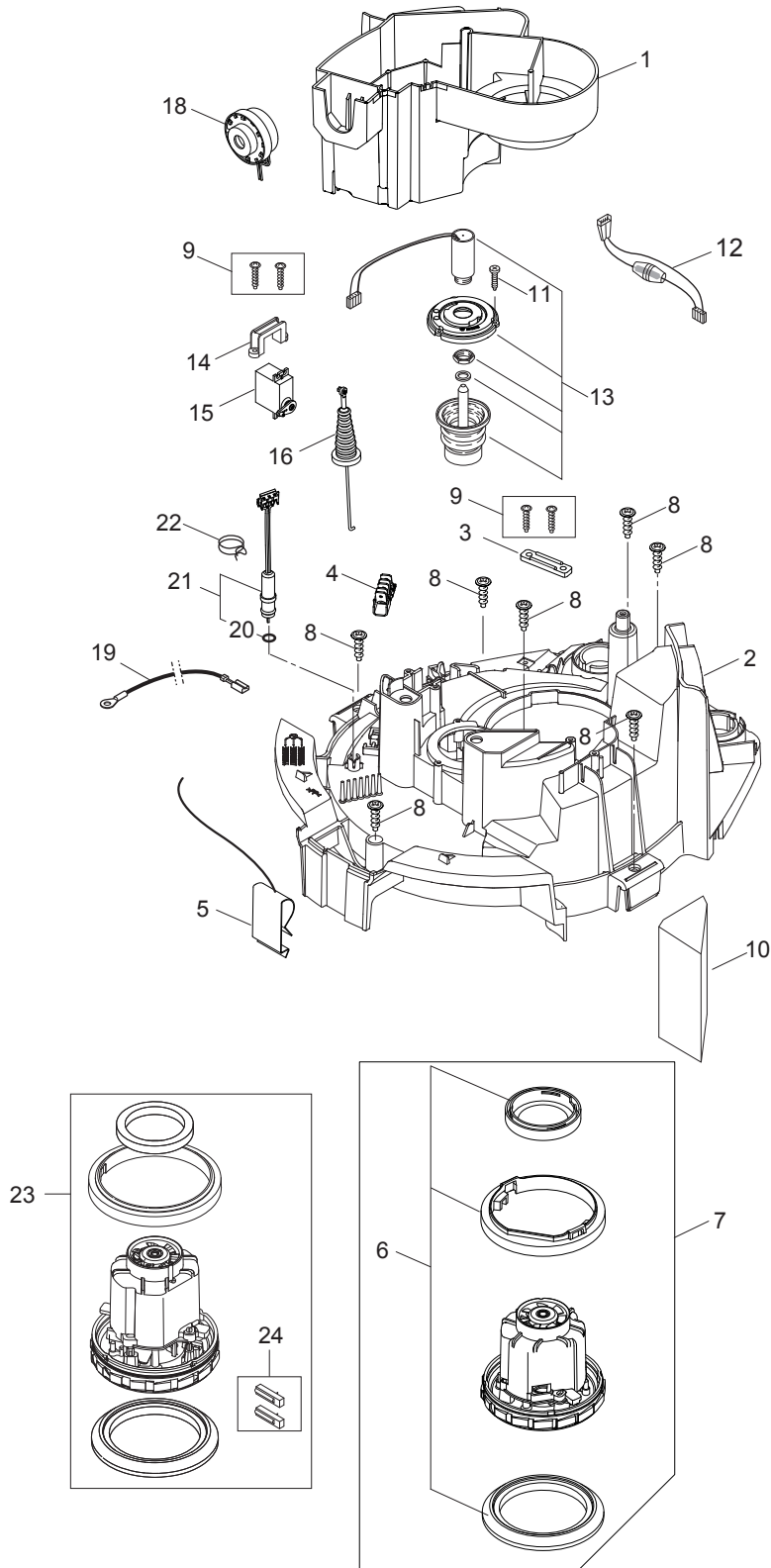
[2] - ATTIX 30



Pos.	Vare-nr	Antal	Beskrivelse	Notes
1	302004015	1	Airguide	[1]
2	302004009	1	CLAMPINGPLATE PC	
3	302004030	1	STRAP FOR CABLE	
4	302004031	1	DISTRIBUTION STRIP 6-POL 16A	
5	302004023	1	CONTACT SPRING	
6	302003385	1	Paknings-Sæt	
7	302003384	1	Turbine kit 1200W 230V	
8	302003704	7	SCREW EJOT DELTA PT50X18WN5451	
9	302004032	1	SCREW 3.5X18	
10	302004045	1	Lydisolering	
11	55416	1	O-RING 4.0x1.5 NBR70	
12	107400489	1	Electronic Flow Sensor Fs 5	
13	107400578	1	HOSE CLAMP D10	
14	107400579	1	Piezo Buzzer	
15	107417417	1	MOTOR KIT 1000W 110-120V 50/60HZ	[2]
16	107417399	1	CARBON BRUSH ASSY KIT 2 PCS 110-120V	[2]

Part Notes:

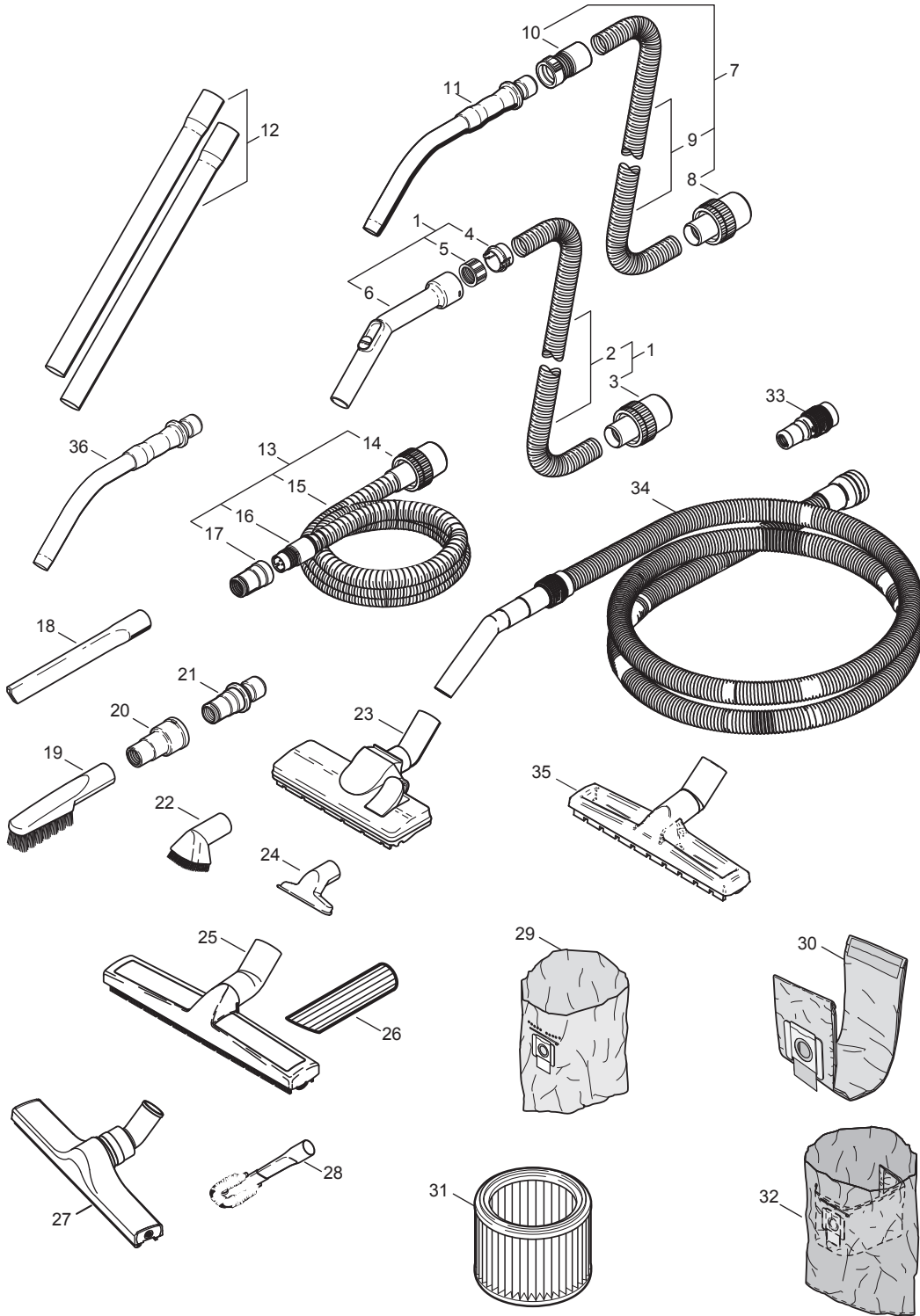
- [1] - During service or repair of vacuum head always change Airguide 302004015 and Cover for air circuit 107401051
- [2] - 110V 50HZ GB, 120V 60HZ US
TSB-LI-VACS-2016-001 New Attix 30 and Attix 50 motor



Pos.	Vare-nr	Antal	Beskrivelse	Notes
1	302004015	1	Airguide	[1]
2	107400287	1	CLAMPINGPLATE XC	
3	302004030	1	STRAP FOR CABLE	
4	302004031	1	DISTRIBUTION STRIP 6-POL 16A	
5	302004023	1	CONTACT SPRING	
6	302003385	1	Paknings-Sæt	
7	302003384	1	Turbine kit 1200W 230V	
8	302003704	7	SCREW EJOT DELTA PT50X18WN5451	
9	302004032	1	SCREW 3.5X18	
10	302004045	1	Lydisolering	
11	302003319	3	Skru-Sæt	
12	107410697	1	SOLENOID FUSE WIRE 230V AT 0,5A KIT	
13	107400291	1	Magnet 230V	
13	107400292	1	MAGNET 12V FPR 110V MACHINE	
14	107400289	1	SERVO BRACKET	
15	107400290	1	Servo til XC	
16	107400276	1	Servo Wire Xc	
17	107400309	2	HOSE D3X1.5 TURBINE SIDE XC	
18	107400579	1	Piezo Buzzer	
19	107400262	1	WIRE 1X200 YELLOW/GREEN	
20	55416	1	O-RING 4.0x1.5 NBR70	
21	107400489	1	Electronic Flow Sensor Fs 5	
22	107400578	1	HOSE CLAMP D10	
23	107417417	1	MOTOR KIT 1000W 110-120V 50/60HZ	[2]
24	107417399	1	CARBON BRUSH ASSY KIT 2 PCS 110-120V	[2]

Part Notes:

- [1] - During service or repair of vacuum head always change Airguide 302004015 and Cover for air circuit 107401051
 - [2] - 110V 50HZ GB, 120V 60HZ US
- TSB-LI-VACS-2016-001 New Attix 30 and Attix 50 motor



Pos.	Vare-nr	Antal	Beskrivelse	Notes
1	302000473	1	Sugeslange m. rørbøjning Ø32	
2	14240	1	Sugeslange universal pr. meter Ø32	
3	15103	1	Slangemuffe Ø32/50	
4	61154	1	Ring Ø32	
5	302000476	1	Bøsning	
6	60911	1	Rørbøjning Ø32/35	
7	46948	1	Sugeslange universal 3 m lynkobling Ø36	
8	15102	1	Slangemuffe Ø36/50	
9	11985	1	Sugeslange Ø36 pr. meter (max. 20 meter)	
10	46690	1	Slangemuffe universal Ø36	
11	302000528	1	Rørbøjning krom-belagt lynkobling Ø36	
12	107408074	1	Forlængerrør RF 505 mm 2 stk. Ø36	
12	302000529	1	Forlængerrør krom 500 mm 2 stk. Ø36	
12	107400032	1	Forlængerrør alu 500 mm 2 stk. Ø36	
13	107406091	1	Sugeslange AntiStatic 3,5m Ø27 m.adapter	
14	15369	1	Slangemuffe Antistat Ø27	
15	15326	1	Sugeslange AntiStatic pr. meter Ø27	
16	63509	1	Gevindstykke Ø27	[1]
17	107404520	1	Adapter Ø27/36	
18	6084	1	Fugemundstykke plast 300 mm Ø36	
19	6086	1	Børstemundstykke plast 230 mm Ø36	
20	60916	1	Adapter til el-værktøj Ø36	
21	302000535	1	Adapter til el-værktøj AntiStatic	
22	5146	1	Børstemundstykke plast 70 mm Ø36	
23	302000477	1	Kombimundstykke plast 260 mm Ø36	
24	14295	1	Polstermundstykke plast 115 mm Ø36	
25	60356	1	Gulvmundstykke 360 mm Ø36 wet/dry	
26	5067	1	Fugemundstykke gummi 190 mm Ø36	
27	302003666	1	Gulvmundstykke 400 mm Ø36	
27	302003796	1	Børstelister (2 stk.)	[2]
27	302003797	1	Gummilæber (2 stk.)	[2]
28	5144	1	Radiatorbørste plast Ø36	
29	302000728	1	Opsamlingsposer plast (5 stk.)	
29	302000804	1	Opsamlingsposer (5 stk.)	
30	302004004	1	Støvsugerposer fleece (5 stk.)	
30	302004000	1	Støvsugerposer fleece (5 stk.)	
31	302000490	1	Filterelement PET-fleece M-klasse	
31	302000658	1	Filterelement H-klasse	[3]
32	107400236	1	Sikkerhedsfilterposer (5 stk.)	
32	107400233	1	Sikkerhedsfilterposer H-klasse (5 stk.)	
32	107410001	1	SAFETY FILTER BAG SET 5 PCS ASUP	
34	107409976	1	Sugeslange 3,5 m Ø32	[4]
33	107409977	1	Adapter til værktøj m. regul. Ø27/35/38	[4]
35	107402706	1	Universalmundstykke plast Ø36	
36	46691	1	Rørbøjning RF stål Ø36	[5]
50	107400079	1	Luftautomatik-box 230 V	[6]
50	302002842	1	Kassette-filter PET Nano M-kl. (2 stk.)	

Part Notes:

- [1] - STOCK COVERS GUARANTEE
- [2] - used on 302003666
- [3] - CONTACT PM IN ZOCCA
- [4] - TSB-LI-VACS-2017-01 - AERO+ATTIX hose
- [5] - ATTIX 40
- [6] - See link
Airbox 2010

RECOMMENDED SPARE PARTS

ATTIX 30-2M XC

2014.11.27

2016.06.28

Pos.	Vare-nr	Antal	Beskrivelse	Notes
01	302000460	1	Tætning til filter	
01	107400057	1	SOCKET 16A/110V GB	
01	107400064	1	Holder For Sugerør	
01	107400271	1	CORD H07BQ-F 3G2.5 GB	
01	302004007	1	Monteringsplade	
01	107402255	1	Filtermonterings sæt XC	
01	107400305	1	Beholder med fittings	[1]
01	14775	1	Plastmuffe Ø50	
01	107400489	1	Electronic Flow Sensor Fs 5	
01	302002842	1	Kassette-filter PET Nano M-kl. (2 stk.)	
01	302004059	1	Hjul til beholder	
01	107400494	1	ELECTRONICS 2H+M PC 100-120V	[2]
01	107400236	1	Sikkerhedsfilterposer (5 stk.)	
01	107400312	1	Container kit	[3]
01	302003385	1	Paknings-Sæt	
01	107400283	1	Pakning	
01	107400287	1	CLAMPINGPLATE XC	
01	107400491	1	Electronics 2H+M Pc 230V Set-1	
01	302004009	1	CLAMPINGPLATE PC	
01	107415105	1	GUIDE ROLLER Ø60 PIN Ø11X22	
01	30081	1	BEAD CHAIN 150MM WITH EYES ST/	
01	107400301	1	Clamp For Beholder	[4]
01	107400492	1	ELECTRONICS 2H+M XC 230V SET-1	
01	302000639	1	Hjul Ø150	
01	107400574	1	CORD H05BQ-F 3G1.0 CEE GB 110	
01	302004023	1	CONTACT SPRING	
01	107400276	1	Servo Wire Xc	
01	107402646	1	Filter Support Cage	[5]
01	107400270	1	CORD H05RR-F 3G1.5 BS1 363 GB	
01	302004034	1	Stikdåse 16A/250V Eu	
01	107400304	1	Beholder med fittings	
01	302004027	1	Rørholder	
01	107400290	1	Servo til XC	
01	107400311	1	Container kit	
01	302001040	1	Sikkerhedsfilterposer (5 stk.)	
01	107400233	1	Sikkerhedsfilterposer H-klasse (5 stk.)	
01	107400495	1	ELECTRONICS 2H+M XC 100-120V	
01	107400291	1	Magnet 230V	
01	107400579	1	Piezo Buzzer	
01	302003384	1	Turbine kit 1200W 230V	
01	107402255	1	Filtermonterings sæt XC	
01	909100204	1	Drejeknap	
01	302001141	1	Sikkerhedsfilterposer (5 stk.)	
01	107400277	1	CX FLAP KIT	
01	302000429	1	Electronic Potentiometer	
01	107402641	1	Power Cord H05Rr-F 3G1.5X 8X2	
01	107417417	1	MOTOR KIT 1000W 110-120V 50/60HZ	
01	302004336	1	SOCKET 13A/250V GB	
01	302000490	1	Filterelement PET-fleece M-klasse	[5]
01	302000751	1	Filterelement Ø275x185 PET M-klasse	
01	107400490	1	ELECTRONICS 0H+M PC 230V SET-1	
01	107400300	1	Spændeplade	
01	302000658	1	Filterelement H-klasse	[6]
01	47302	1	Låseskive	
01	107400493	1	ELECTRONICS 0H+M PC 100-120V	
01	302000465	1	Hjul	
01	302004015	1	Airguide	[7]
01	302004008	1	Pakning	
01	107400292	1	MAGNET 12V FPR 110V MACHINE	

RECOMMENDED SPARE PARTS

ATTIX 30-2M XC

2014.11.27

2016.06.28

Pos.	Vare-nr	Antal	Beskrivelse	Notes
01	107400302	1	Filterkonsol	
01	107401937	1	PLUG BASE PLATE KIT	
01	107400577	1	Filter Support Cage -H-Se T-1	[8]

Part Notes:

- [1] - For machines produced before serial number 09110030030 use Container upgrade kit 107400312 Vac-092 clamp and container
- [2] - STOCK COVERS GUARANTEE
- [3] - Vac-092 clamp and container

- For machines produced before serial number 09110030030 use Container upgrade kit 107400312
- [4] - SEE NOTE *
- [5] - M
- [6] - H
CONTACT PM IN ZOCCA
- [7] - SEE NOTE ***
- [8] - H

