

# PARTS LIST

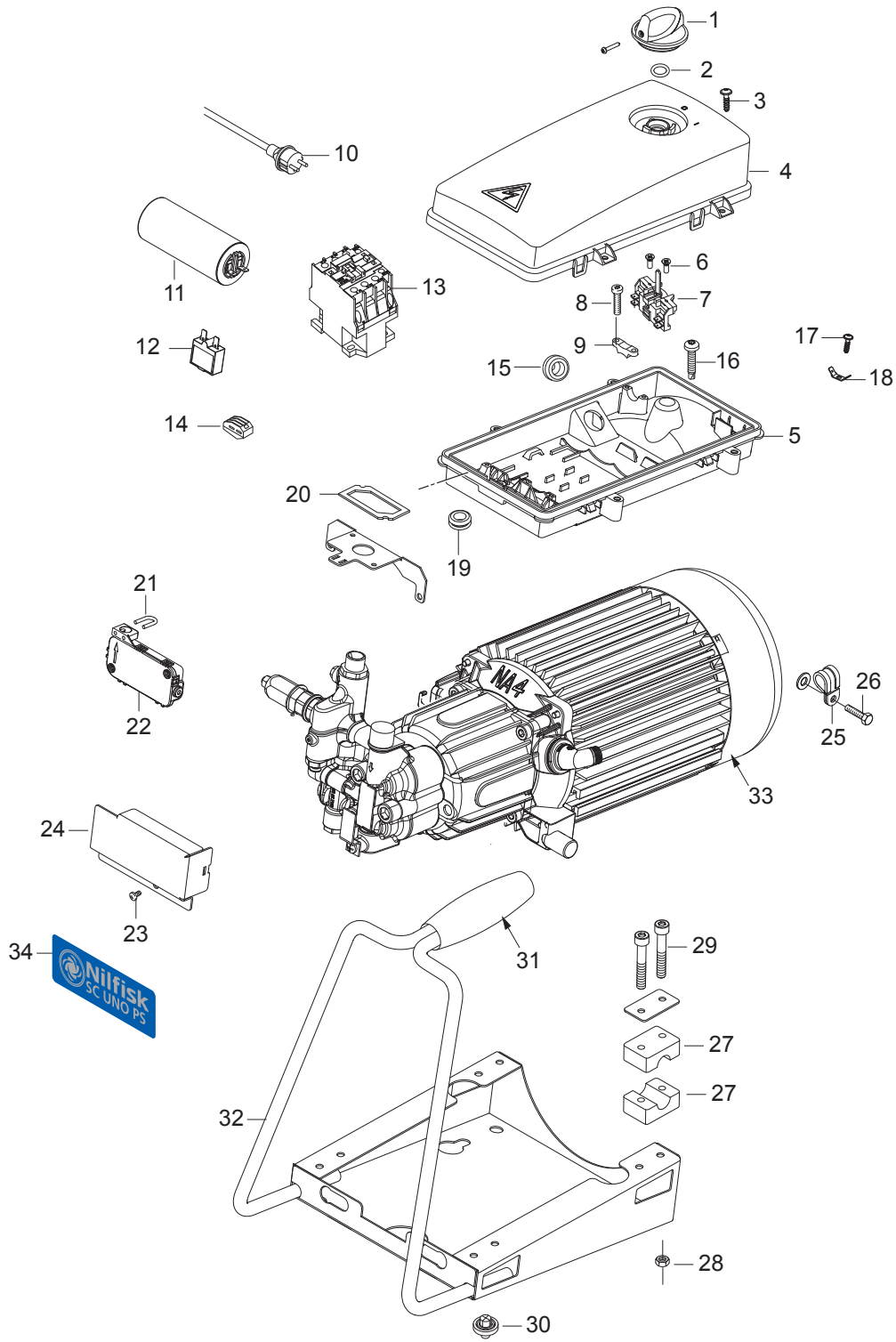


2017.07.31

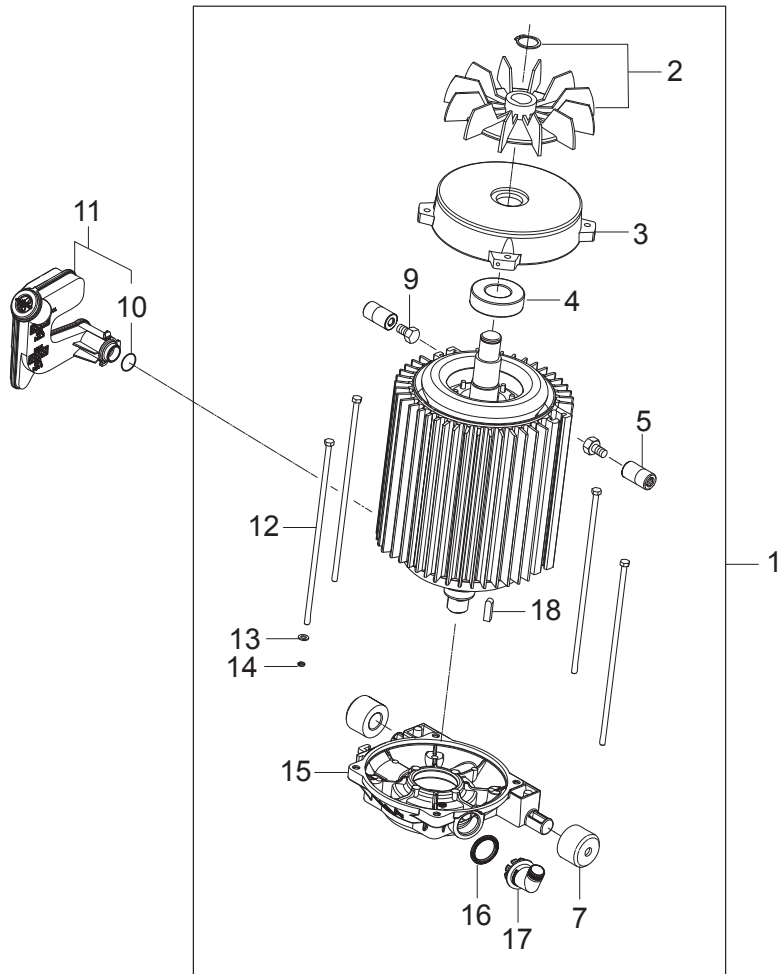
# TABLE OF CONTENTS

---

|                            |    |
|----------------------------|----|
| Overview UNO 4M.....       | 1  |
| Motor.....                 | 3  |
| Pump.....                  | 5  |
| Default accessories.....   | 7  |
| Water break tank.....      | 9  |
| Accessory Storage Kit..... | 11 |



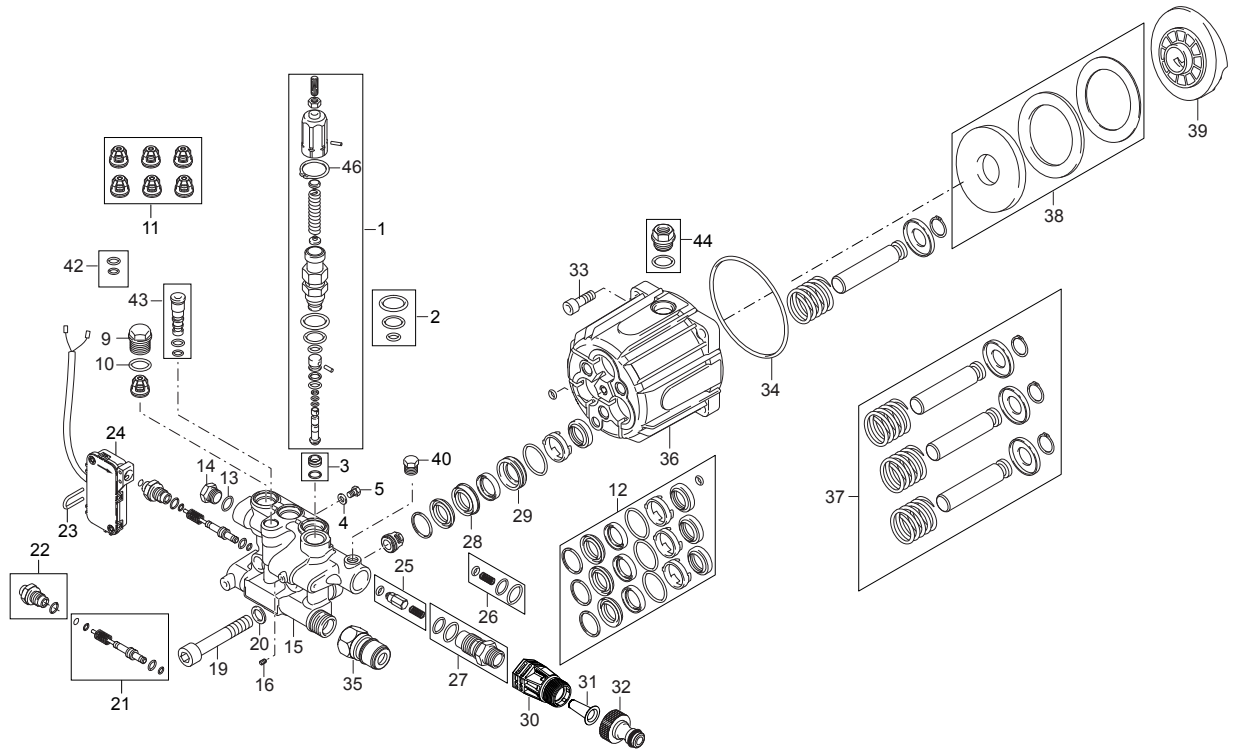
| Pos. | Vare-nr   | Antal | Beskrivelse                              | Notes |
|------|-----------|-------|--|-------|
| 1    | 909100204 | 1     | Drejeknap                                |       |
| 1A   | 909100443 | 1     | SCREW K30X18T12 WN5452                   |       |
| 2    | 9868      | 1     | O-ring 10.0X2.5                          |       |
| 3    | 107141838 | 4     | SCREW K50X18 WN1451 BLACK TORX20         |       |
| 4    | 301002282 | 1     | Dæksel                                   |       |
| 5    | 301002281 | 1     | SWITCH CASE HOUSING LOWER PART           |       |
| 6    | 18274     | 2     | Skruer M4X12                             |       |
| 7    | 301001058 | 1     | Start/stop kontakt                       |       |
| 8    | 909100443 | 2     | SCREW K30X18T12 WN5452                   |       |
| 9    | 3806262   | 1     | STRAIN RELIEF BRACKET 27.                |       |
| 10   |           | 1     | POWER CORD - H07RN-F 3G1,5x6M, CEE 7 1 p |       |
| 10   |           | 1     | POWER CORD - H07RN-F 4G1,5x6M, CEE 5 3 p |       |
| 11   | 301002320 | 1     | Kondensator                              |       |
| 12   | 301002322 | 1     | Sikring 16A                              |       |
| 13   | 103822300 | 1     | Contact.Cjx2 D-12-V7 400V                |       |
| 14   | 301001229 | 1     | Rækkelemme 3X4 Qmm                       |       |
| 15   | 301002284 | 1     | GROMMET                                  |       |
| 16   | 107307305 | 1     | SCREW ZEBRA PIAS PH 4.8X25               |       |
| 17   | 107141838 | 1     | SCREW K50X18 WN1451 BLACK TORX20         |       |
| 18   | 107142559 | 1     | FASTON TAB TERMINAL DOUBLE STUD 45°      |       |
| 19   | 3803772   | 1     | CABLE GROMMET TET 7-10C                  |       |
| 20   | 107307300 | 1     | GASKET FOR E-BOX                         |       |
| 21   | 301003053 | 1     | Clamp                                    |       |
| 22   | 31000955  | 1     | SWITCHBOX ASSEMBLY                       |       |
| 23   | 1803543   | 1     | Taptiite M4X10                           |       |
| 24   | 107307301 | 1     | BRACKET FOR SWITCH                       |       |
| 25   | 107307307 | 1     | FASTENING CLIP 10/12                     |       |
| 26   | 1804160   | 4     | SCREW HEX CAP M4X8                       |       |
| 27   | 107307304 | 8     | TUBE HOLDER D16                          |       |
| 28   | 11619     | 8     | Møtrik M6                                |       |
| 29   | 5100      | 8     | Screw M6X45                              |       |
| 30   | 107307302 | 4     | PUSH FIT RIVET FOOD                      |       |
| 31   | 107307303 | 1     | HANDLE GRIP                              |       |
| 32   | 107307306 | 1     | FRAME WELDED P4                          |       |
| 33   | 107307308 | 1     | FAN COVER FOR NA3/NA4                    |       |
| 34   | 107307363 | 1     | FRONTLABEL SC UNO PS                     |       |



| Pos. | Vare-nr   | Antal | Beskrivelse                              | Notes |
|------|-----------|-------|--|-------|
| 0    | 31001082  | 1     | Olie ROTRA MP 80W-90 1L                  | [1]   |
| 1    | 31001006  | 1     | MOTOR NA4 - 2.2KW/230V/50HZ/1PH          | [2]   |
| 1    | 31001010  | 1     | MOTOR NA4 - 2.8KW/230/400V/50HZ/3PH      | [3]   |
| 2    | 107145038 | 1     | FAN INCL. SEAL V-RING                    |       |
| 3    | 107145037 | 1     | N-BEARING COVER                          |       |
| 4    | 301003080 | 1     | Leje, 6205 Zz                            |       |
| 5    | 107142544 | 2     | NUT M8 X D17 X L31 INT. HEX 8            |       |
| 7    | 107142545 | 2     | SUSPENSION D35 X D17 X L25               |       |
| 9    | 2753      | 2     | Skruer                                   |       |
| 10   | 107142589 | 1     | SEAL ID 16.7XOD 21.2XW 5 NBR 70 SHORE A  |       |
| 11   | 107142546 | 1     | OIL CONTAINER MC 3-4                     |       |
| 12   | 31000916  | 4     | STAY BOLT M5X210                         |       |
| 12   | 31000917  | 4     | STAY BOLT M5X230                         |       |
| 13   | 31000918  | 4     | WASHER D5.5XD10 GB/T97.1 ISO7089         |       |
| 14   | 31000919  | 4     | LOCK RING D5.1XD7.7 GB/T93 DIN127        |       |
| 15   | 31000920  | 1     | D-BEARING COVER P4 INCL SEAL AND BEARING |       |
| 16   | 31000921  | 1     | SEAL ID 23.4XOD 31 D 2/3.5               |       |
| 17   | 31000922  | 1     | CABLE GLAND 23.5 SNAPON 110 DEG          |       |
| 18   | 101814798 | 1     | KEY 6 X 6 X 20 MM FOR POSEIDON 4         |       |

## Part Notes:

- [1] - 0,39 L - OIL TYPES\_QUANTITY for HPW\_APRIL 2017  
 [2] - SC UNO 4M-140/620 PS \*EU\*  
 [3] - SC UNO 4M-160/720 PS \*EU\*



| Pos. | Vare-nr   | Antal | Beskrivelse                         | Notes |
|------|-----------|-------|-------------------------------------|-------|
| 1    | 31000978  | 1     | REGULATION SAFETY BLOCK             |       |
| 2    | 301003032 | 1     | O-Ring Regulation Safety            |       |
| 3    | 301003033 | 1     | Valve Seat Kit                      |       |
| 4    | 31000944  | 1     | WASHER                              |       |
| 5    | 301003035 | 1     | SCREW M6                            |       |
| 9    | 301003039 | 1     | PLUG Ø 15.6                         |       |
| 10   | 301003040 | 1     | O-Ring Ø 15,6X1,78                  |       |
| 11   | 31000576  | 6     | VALVE KIT 6 PCS                     |       |
| 12   | 301003042 | 3     | Pakningssæt POSEIDON 4              |       |
| 13   | 301003043 | 1     | O-Ring Ø 10,82X1,78                 |       |
| 14   | 301003044 | 1     | PLUG Ø 10.8                         |       |
| 15   | 301003045 | 1     | Pump Head                           |       |
| 16   | 301003046 | 1     | SCREW M3X5                          |       |
| 19   | 301003049 | 1     | SCREW M12X70 UNI 5931               |       |
| 20   | 301003050 | 1     | WASHER Ø 12                         |       |
| 21   | 31000939  | 1     | PISTON KIT FOR MICROSWITCH          |       |
| 22   | 31000940  | 1     | FITTING KIT FOR MICROSWITCH         |       |
| 23   | 301003053 | 1     | Clamp                               |       |
| 24   | 31000955  | 1     | SWITCHBOX ASSEMBLY                  |       |
| 25   | 31000988  | 1     | INJECTOR                            |       |
| 26   | 31000989  | 1     | O-RING KIT FOR INJECTOR             |       |
| 27   | 31000990  | 1     | INJECTOR KIT                        |       |
| 28   | 301001559 | 1     | "Thrust Collar Ø18 ""Np3- Pump"     |       |
| 29   | 301003059 | 1     | Piston Guide                        |       |
| 30   | 107142566 | 1     | WATER INLET TUBE                    |       |
| 31   | 101117926 | 1     | Filter                              |       |
| 32   | 1402809   | 1     | Lynkoblingsstuds                    |       |
| 33   | 301003063 | 1     | SCREW M5X25 UNI 5931                |       |
| 34   | 31000973  | 1     | O-RING D 94.92x2.62                 |       |
| 35   | 1600493   | 1     | Ergo højtryksskobling DN10 3/8" han |       |
| 36   | 31000972  | 1     | PUMP BODY                           |       |
| 37   | 31000992  | 3     | PISTON KIT D18                      |       |
| 38   | 31000993  | 1     | BEARING KIT 1MM                     |       |
| 39   | 31000975  | 1     | WOBBLE DISC 12.5 DEG                | [1]   |
| 39   | 301003138 | 1     | WOBBLE DISC 10.5 DEGREES            | [2]   |
| 40   | G030733   | 1     | HOLE PLUG. 1/8                      |       |
| 42   | 301003160 | 2     | O-RING KIT                          |       |
| 43   | 301003073 | 1     | PLUG KIT                            |       |
| 44   | 31001000  | 1     | PLUG KIT FOR PUMP BODY              |       |
| 46   | 101117994 | 1     | RETAINER RING Ø23 DIN 471           |       |

## Part Notes:

- [1] - 1ph  
 [2] - 3ph

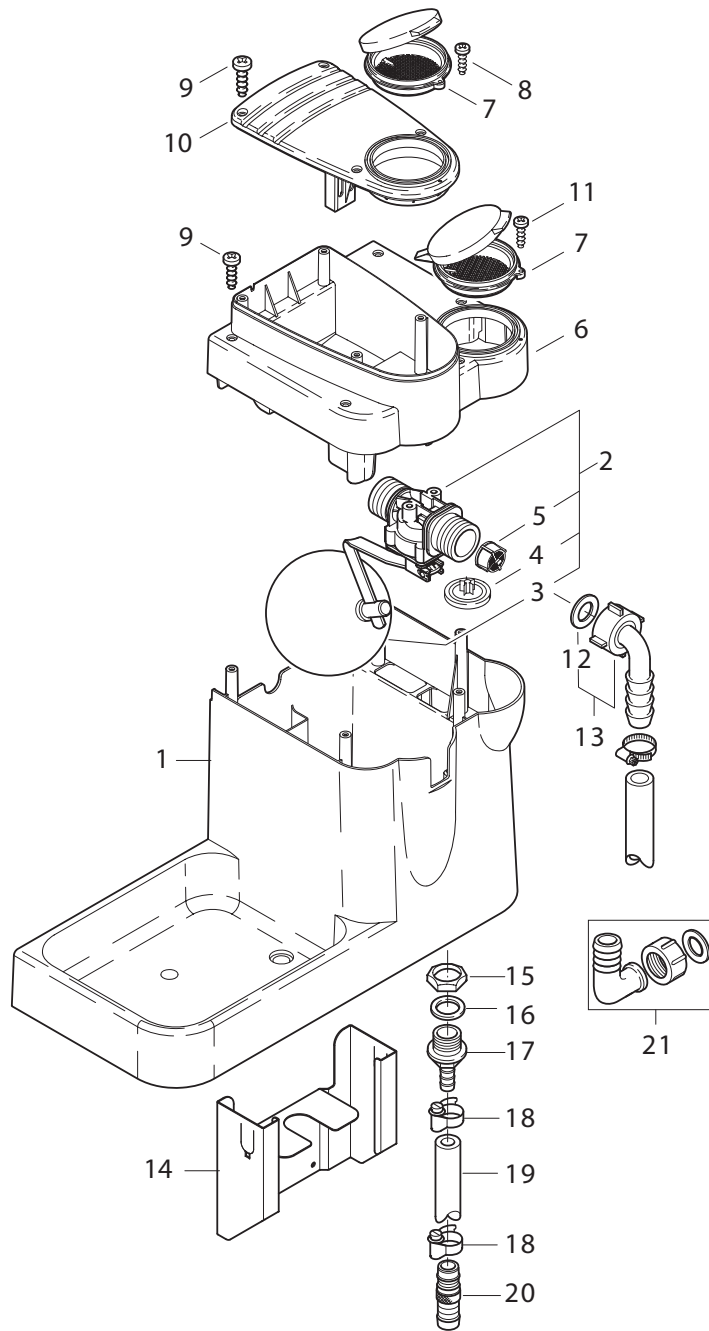




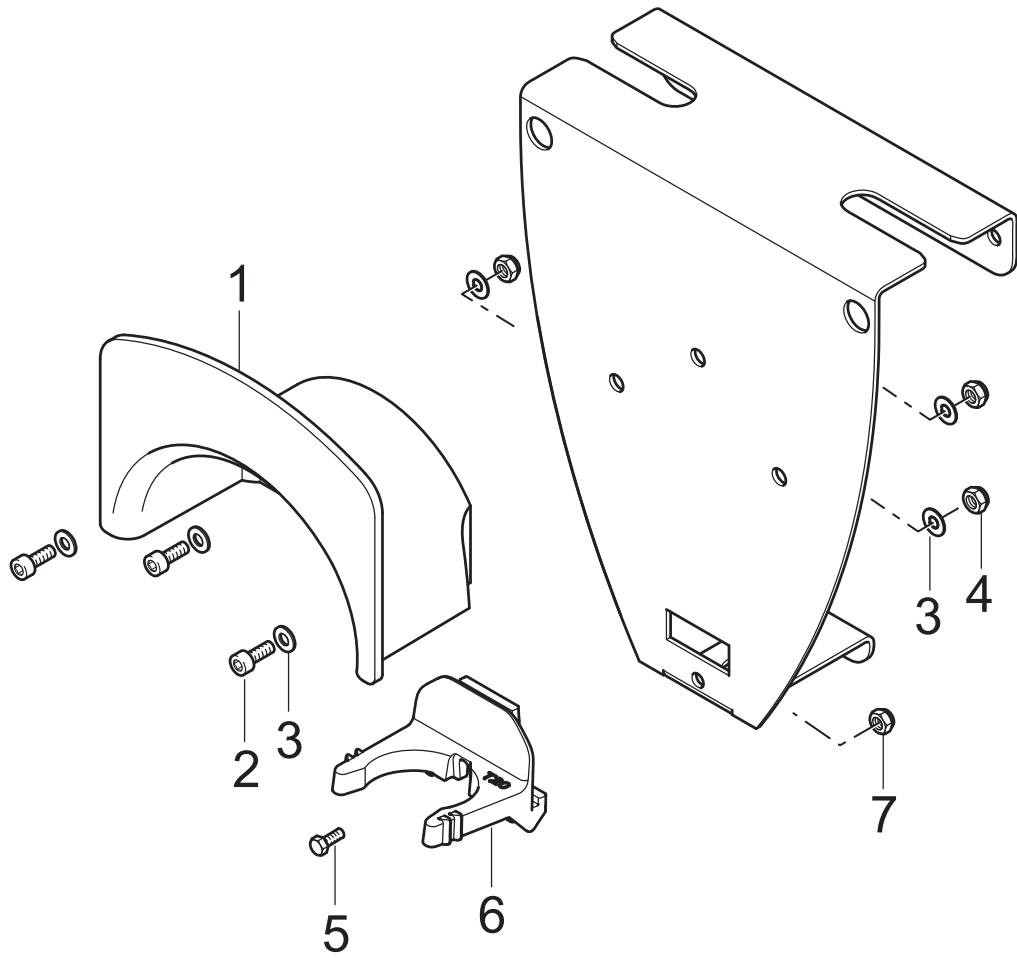
| Pos. | Vare-nr   | Antal | Beskrivelse                           | Notes |
|------|-----------|-------|---------------------------------------|-------|
| 1    | 106403122 | 1     | Ergo 2000 spulehåndtag m. svivel      | [1]   |
| 2    | 301002275 | 1     | Højtryksslange 10 m enkelt-wire DN6   | [2]   |
| 3    | 106408229 | 1     | FlexoPower Plus dyserør u. dyse 96 cm | [3]   |
| 4    | 101119738 | 1     | Tornado Plus dyse 1/8" 0400 Metalgrå  | [4]   |
| 4    | 101119735 | 1     | Tornado Plus dyse 1/8" 0340 Violet    | [5]   |
| 5    | 107371030 | 1     | ACCESSORY REMOTE INTERFACE KIT        | [6]   |

## Part Notes:

- [1] - ERGO 2000 Spray handle
- [2] - HOSES Overview
- [3] - FLEXOPOWER PLUS lance
- [4] - SC UNO 4M-160/720 PS \*EU\*
- [5] - SC UNO 4M-140/620 PS \*EU\*
- [6] - 106421589A Electric diagram interface kit



| Pos. | Vare-nr   | Antal | Beskrivelse                          | Notes |
|------|-----------|-------|--------------------------------------|-------|
| 0    | 107371020 | 1     | Vandtank med svømmerventil 40 l/min  |       |
| 1    | 301001762 | 1     | Vandtank                             |       |
| 2    | 43127     | 1     | Float Valve                          |       |
| 3    | 11418     | 1     | Float Ball                           |       |
| 4    | 33999     | 1     | MEMBRANE                             |       |
| 5    | 33998     | 1     | Filter                               |       |
| 6    | 301000562 | 1     | Anti Kalk Tank                       |       |
| 7    | 301000561 | 2     | Dæksel                               |       |
| 8    | 5606      | 1     | Metal Skrue                          |       |
| 9    | 909100138 | 9     | Skrue                                |       |
| 10   | 301000560 | 1     | Låg Anti Kalk Tank                   |       |
| 11   | 18086     | 1     | Metal Skrue                          |       |
| 12   | 15587     | 1     | Pakning                              |       |
| 13   | 5613      | 1     | Slangestuds                          |       |
| 14   | 107305050 | 1     | SUPPORT FOR WATER TANK               |       |
| 15   | 1800341   | 1     | "Kontramøtrik 3/4" " "               |       |
| 16   | 2377      | 1     | Packing Ring 27X38X2 It              |       |
| 17   | 101609406 | 1     | HOSE TAIL 19MM X3/4                  |       |
| 18   | 1810191   | 1     | Spændebånd 13-27 A4 (SS)             |       |
| 19   | 4808847   | 1     | "Blå Armeret Slange 3/4" " "         |       |
| 20   | 1600659   | 1     | KEW kobling slange-ende 3/4" han     |       |
| 21   | 106268101 | 1     | HOSE COUPLING W/UNION NUT AND GASKET |       |



| Pos. | Vare-nr   | Antal | Beskrivelse                   | Notes |
|------|-----------|-------|-------------------------------|-------|
| 0    | 107371029 | 1     | Opbevaring af tilbehør - kit  |       |
| 1    | 43064     | 1     | Slangeholder                  |       |
| 2    | 1802933   | 3     | SCREW M6X22 ISO4017 A2        |       |
| 3    | 1813807   | 6     | Skive M6Xø18 Rf               |       |
| 4    | 1801893   | 3     | NUT M6 ISO 4032 A2-70         |       |
| 5    | 1804475   | 1     | Skrue M5X12 ISO 14583-A2 TORX |       |
| 6    | 107142504 | 1     | Holder til skumsprayer        |       |
| 7    | 1804285   | 1     | Låsemøtrik M5                 |       |

