

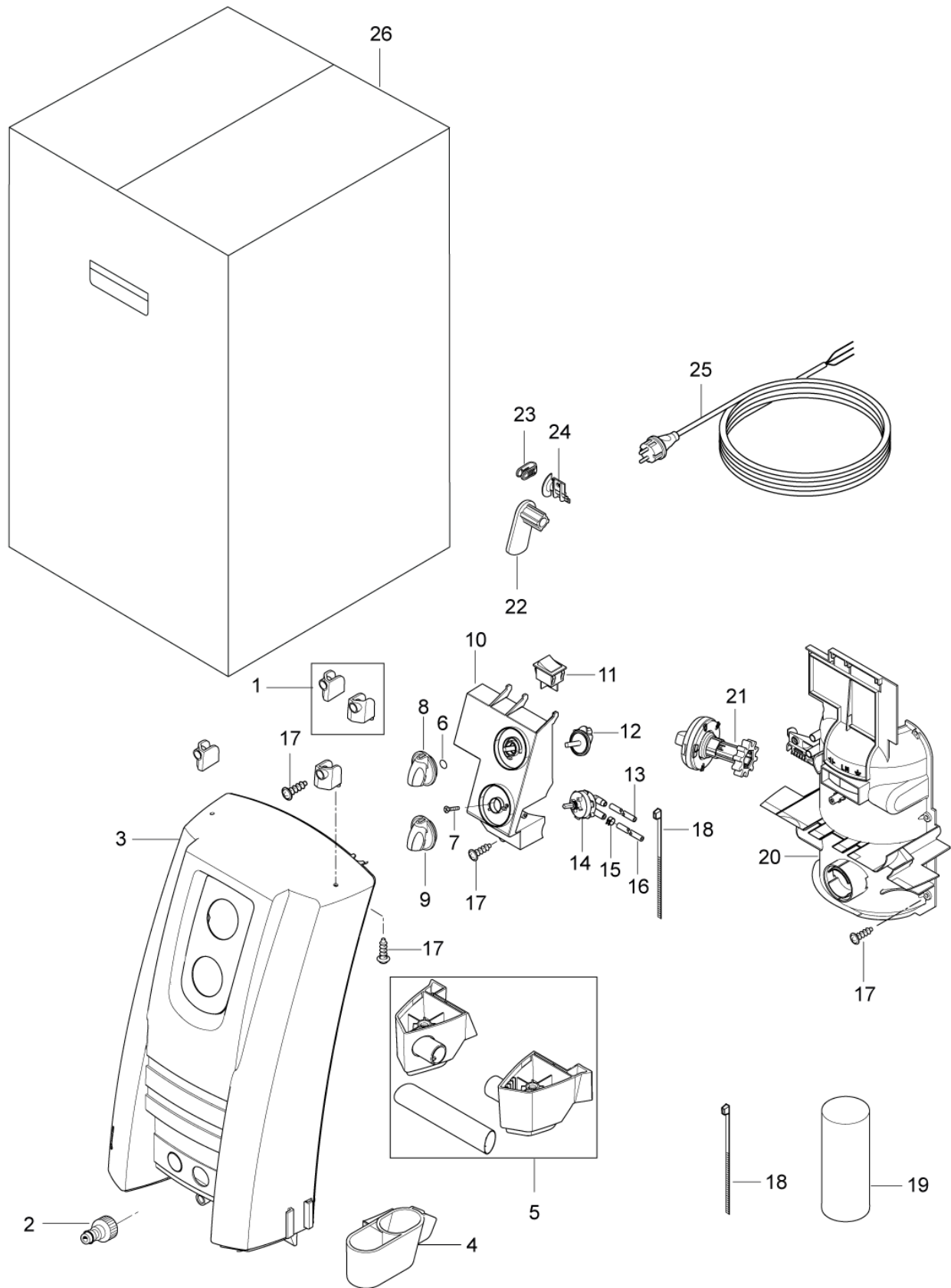
PARTS LIST



2017.07.31

TABLE OF CONTENTS

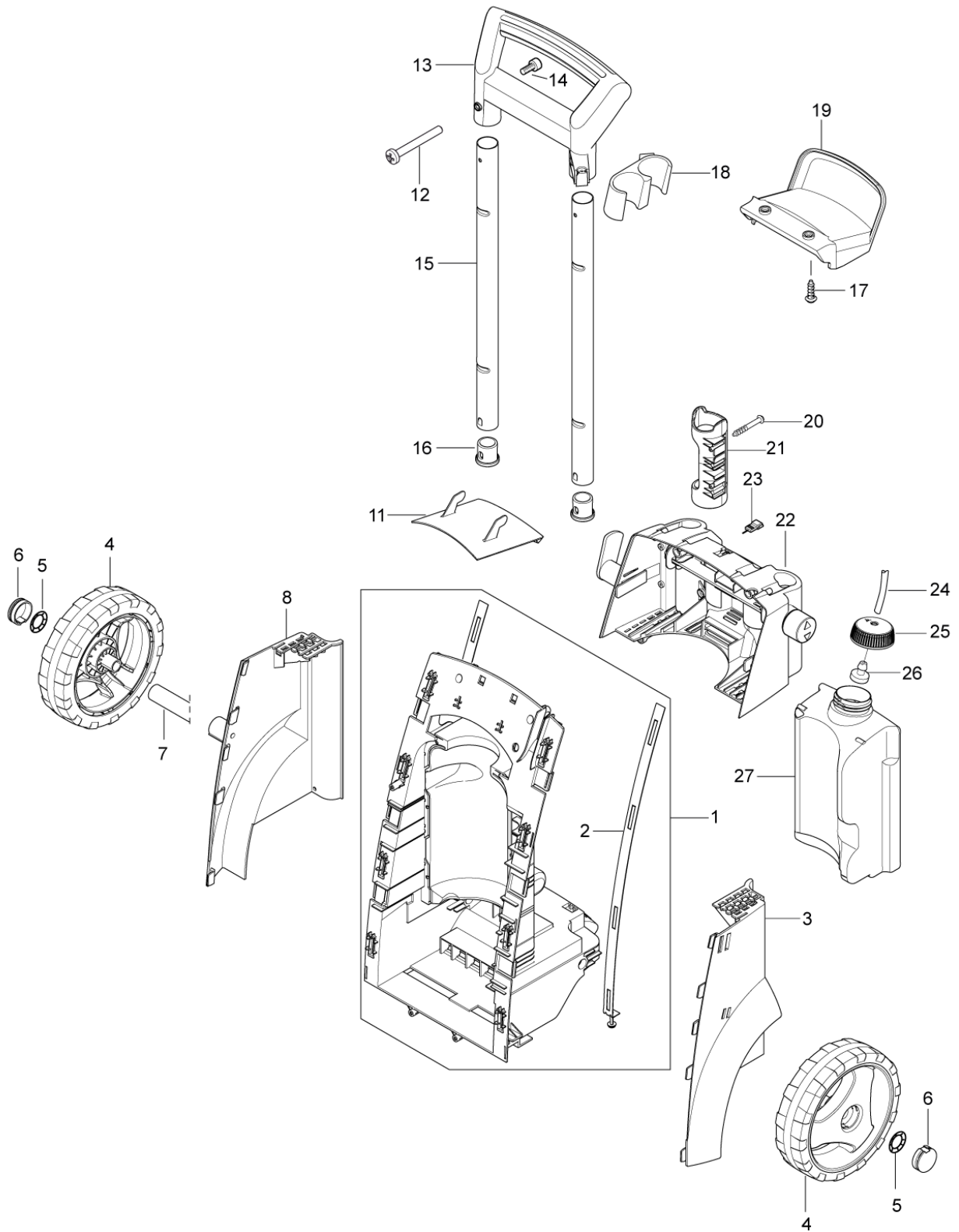
| | |
|---------------------------|----|
| Overview front | 1 |
| Overview back | 3 |
| Hose reel | 5 |
| Motor pump | 7 |
| Default accessories | 10 |



| Pos. | Vare-nr | Antal | Beskrivelse | Notes |
|------|-----------|-------|----------------------------------|-------|
| 1 | 128500146 | 1 | BRACKET F.HOSEREEL HOLDER SP | |
| 2 | 1402809 | 1 | Lynkoblingsstuds | |
| 3 | 128500226 | 1 | Front Cabinet Poseidon2 X T Sp | |
| 3 | 128500225 | 1 | FRONT CABINET POSEIDON2 SP | |
| 4 | 128500228 | 1 | LANCE HOLDER DOUBLE BOTTOM SP | |
| 5 | 128500105 | 1 | HIGH FOOT WITH GRIP SP | |
| 6 | 9868 | 1 | O-ring 10.0X2.5 | |
| 7 | 1814730 | 2 | SCREW 35X10B W1423 | |
| 8 | 909100204 | 1 | Drejeknap | |
| 9 | 909100214 | 1 | Drejeknap Gr.1 4Kt | |
| 10 | 128500109 | 1 | SWITCH BOX SP | |
| 11 | 128500110 | 1 | Switch Kcd4-16 Sp | [1] |
| 12 | 128500108 | 1 | SWITCH KNOB AXLE SP | [1] |
| 13 | 106408241 | 1 | Slange 2M PVC 1/4" transparent | |
| 14 | 128500106 | 1 | Doseringsventil | |
| 15 | 1814679 | 1 | Spændebånd | |
| 16 | 4973 | 1 | HOSE Ø6X3 | |
| 17 | 107141838 | 10 | SCREW K50X18 WN1451 BLACK TORX20 | |
| 18 | 1814741 | 2 | CABLE TIE | |
| 19 | 128500154 | 1 | Capacitor 100Uf Di.Sp | |
| 19 | 128500148 | 1 | Capacitor 50Uf 450V Di. S P | |
| 20 | 128500111 | 1 | MOTOR SHIELD FRONT SP | [1] |
| 21 | 128500227 | 1 | KNOB FLOW REGULATION BLACK | |
| 22 | 128500155 | 1 | Kabelholder drejbar | |
| 23 | 128500122 | 1 | CABLE CLIP 16A SP | |
| 24 | 128500121 | 1 | CABLE RELIEF P12374 SP | |
| 25 | 128500156 | 1 | CABLE W.PLUG L.5000 US SP | |
| 25 | 128500157 | 1 | CABLE W.PLUG L.5000 ZA SP | |
| 25 | 128500123 | 1 | CABLE W PLUG L.5000 EU SP | |
| 25 | 128500159 | 1 | CABLE W.PLUG L.5000 JP SP | |
| 25 | 128500125 | 1 | CABLE W PLUG L.5000 GB SP | |
| 25 | 128500896 | 1 | PVC CABLE W.PLUG EU SP | |
| 25 | 128500899 | 1 | PVC CABLE W.PLUG 5000 GB SP | |
| 25 | 128500900 | 1 | PVC CABLE W.PLUG AU/NZ SP | |
| 26 | 128500223 | 1 | BOX POSEIDON2 10PCS SP | |

Part Notes:

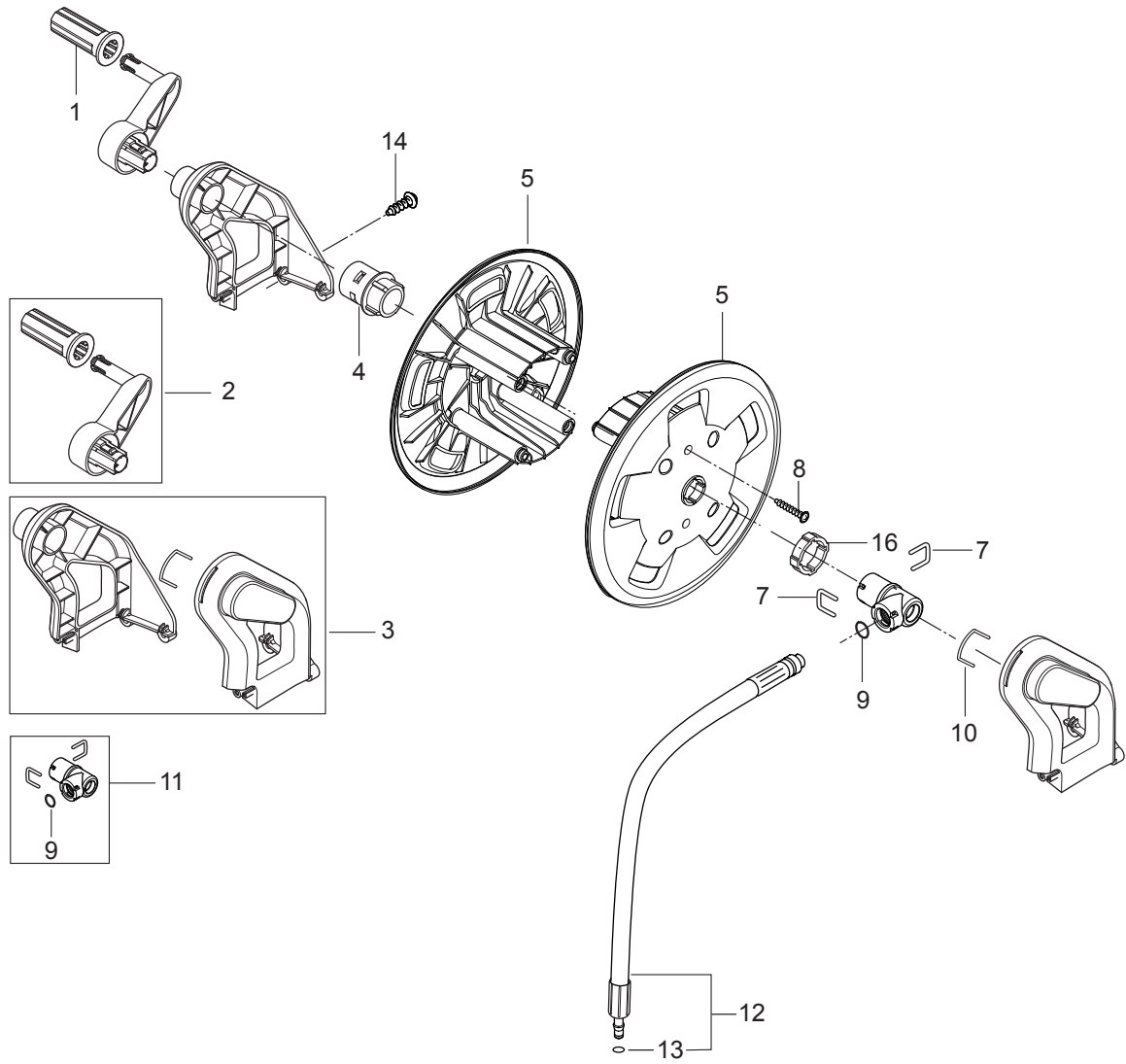
- [1] - TSB-CON-2014-001-Pro-Poseidon-On-Off-Switch-issues



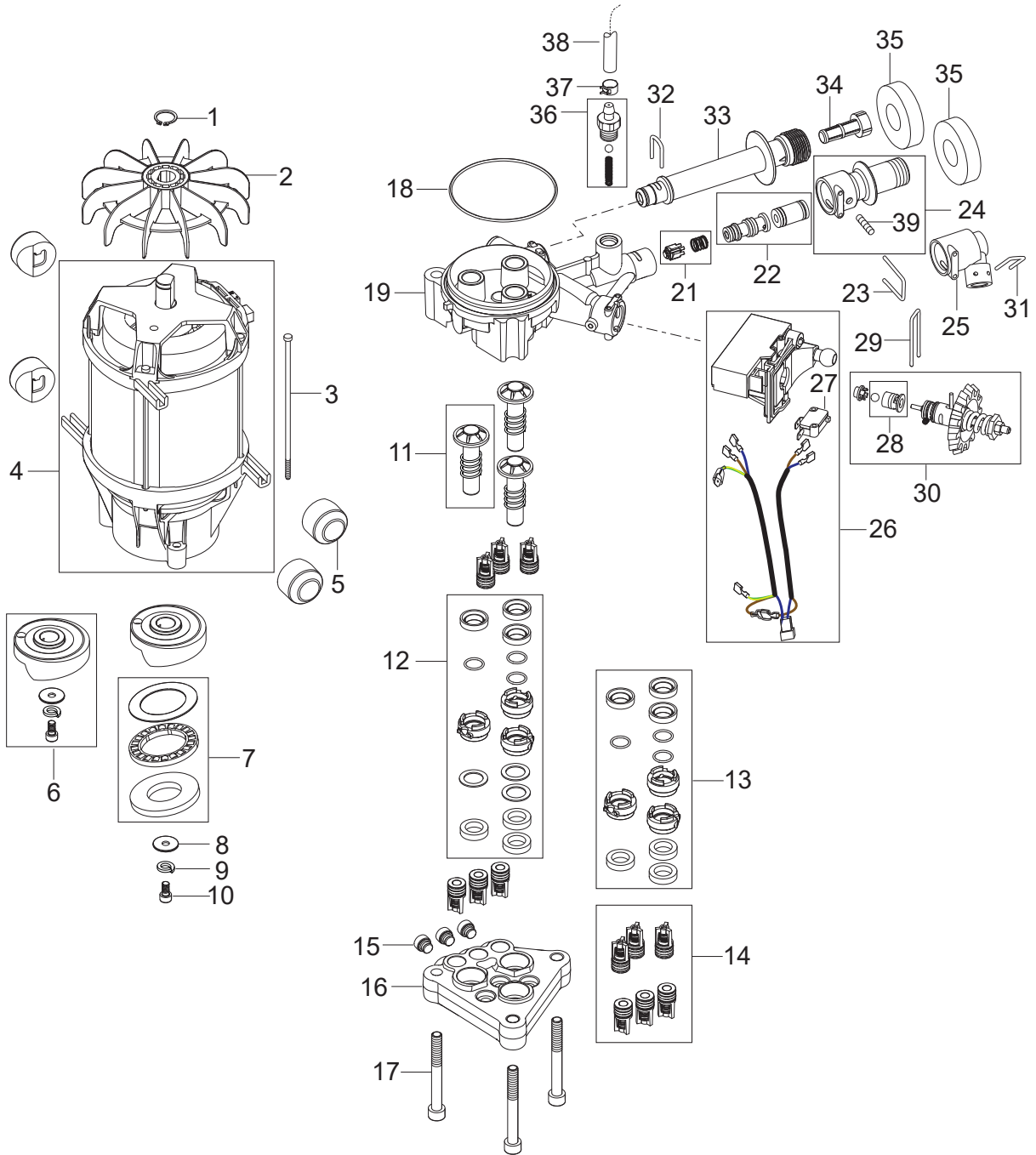
| Pos. | Vare-nr | Antal | Beskrivelse | Notes |
|------|-----------|-------|---|-------|
| 1 | 128500129 | 1 | CHASSIS BLACK COMPLETE SP | |
| 2 | 128500128 | 2 | SLIDER COMPLETE SP | |
| 3 | 128500119 | 1 | SIDEBUMPER LEFT SP | |
| 4 | 128500107 | 1 | Hjul Ø200mm | |
| 5 | 11710 | 2 | Låsering | |
| 6 | 128500118 | 2 | Navkapsel aluminium | |
| 7 | 6522842 | 1 | AXLE 15X333 P12476 | |
| 8 | 128500116 | 1 | SIDEBUMPER RIGHT SP | |
| 9 | 107141838 | 2 | SCREW K50X18 WN1451 BLACK TORX20 | |
| 11 | 128500135 | 1 | UMBRELLA SP | |
| 12 | 128500130 | 2 | NUT FOR HANDLE M4X35 SP | |
| 13 | 128500205 | 1 | Kørehåndtag Komplet | |
| 14 | 128500132 | 2 | Skrue M4X8 Dzn7985 | |
| 15 | 128500133 | 2 | TELESCOPIC TUBES SP | |
| 16 | 128500134 | 2 | STOP FOR TELESCOPIHANDLE SP | |
| 17 | 1814732 | 3 | Skrue K50X18 | |
| 18 | 128500224 | 1 | Holder til lance, dobbelt | |
| 19 | 128500144 | 1 | HOSE HOOK SP | |
| 20 | 128500203 | 2 | SCREW K50X45 WN1451 SP | |
| 21 | 128500136 | 1 | GUN HOLDER SP | |
| 22 | 128331491 | 1 | | |
| 22 | 128500160 | 1 | ACCESSORYSTORAGE STD BLUE SP | |
| 22 | 128500207 | 1 | ACCESSORYSTORAGE XT BLUE SP | |
| 23 | 6520844 | 1 | Rensenål sort | |
| 24 | 106408241 | 1 | Slange 2M PVC 1/4" transparent | |
| 25 | 107141664 | 1 | CAP FOR DETERG. TANK WITH VALVE MOUNTED | [1] |
| 26 | 128500141 | 1 | Kemifilter | |
| 27 | 128500142 | 1 | Kemitank | |

Part Notes:

[1] - PRUNED



| Pos. | Vare-nr | Antal | Beskrivelse | Notes |
|------|-----------|-------|----------------------------------|-------|
| 1 | 128500750 | 1 | HANDLE GRIB | |
| 2 | 128500751 | 1 | Håndtag med arm | |
| 3 | 128500164 | 1 | Hose Reel Support Sp | |
| 4 | 128500869 | 1 | AXLE FOR HOSE REEL | |
| 5 | 6528570 | 2 | Slangerulle | |
| 7 | 6526487 | 2 | Låsebøjle RF | |
| 8 | 128500595 | 2 | SCREW K50X35 WN1452 BLACK TORX | |
| 9 | 3002144 | 1 | O-ring 14,3X2,4 Nitril | |
| 10 | 127440229 | 1 | Låseclips | |
| 11 | 127440011 | 1 | Adapter system | |
| 12 | 128500166 | 1 | Connection Hose Sp | |
| 13 | 3004108 | 1 | O-ring 5,28X1,78 Nitril 90 Sh | |
| 14 | 107141838 | 2 | SCREW K50X18 WN1451 BLACK TORX20 | |
| 16 | 128500167 | 1 | WASHER FOR HOSE REEL SP | |



| Pos. | Vare-nr | Antal | Beskrivelse | Notes |
|------|-----------|-------|------------------------------|-------|
| 0 | 5218602 | 1 | Pumpeolie HV68 (1 liter) | [1] |
| 1 | 127500051 | 1 | LOCK RING | |
| 2 | 127500040 | 1 | Ventilatorvinge | |
| 3 | 7180924 | 4 | STUD 145 MM | |
| 4 | 128500169 | 1 | MOTOR 3.3KW SP | [2] |
| 4 | 128500171 | 1 | MOTOR 1.4KW 60HZ SP | [3] |
| 4 | 128500168 | 1 | MOTOR 2.9KW SP | [4] |
| 5 | 128332334 | 4 | RACK FOR MOTOR | |
| 6 | 128500176 | 1 | WOBBLE DISC 6.9 DEGREE SP | [5] |
| 6 | 128500173 | 1 | WOBBLE DISC 9.5 DEGREE SP | [6] |
| 6 | 128500175 | 1 | WOBBLE DISC 8.4 DEGREE SP | [7] |
| 6 | 128500172 | 1 | WOBBLE DISC 10 DEGREE SP | [2] |
| 7 | 1119705 | 1 | Reparationskit leje | |
| 8 | 127130066 | 1 | Spændeskive Ø22XØ6.4X1.5 | |
| 9 | 127500050 | 1 | SPRING WASHER | |
| 10 | 3913 | 1 | Skruer M6X12 | |
| 11 | 6526016 | 3 | Rep, Sæt Stempel | [8] |
| 11 | 6528577 | 3 | Trykstempel Keramisk | [9] |
| 12 | 128500178 | 1 | Rep Sealing Sys Ceramic S P | |
| 13 | 128500179 | 1 | REP SEALING SYS STAINLESS SP | |
| 14 | 6526026 | 1 | Rep. sæt ventilsystem | |
| 15 | 6528586 | 3 | Prop Med O-Ring | |
| 16 | 127440028 | 1 | CYLINDERHEAD | [10] |
| 16 | 6528616 | 1 | Topstykke +0.3 | [11] |
| 17 | 1814597 | 3 | Skruer M8X70 | |
| 18 | 3003654 | 1 | O-ring 80 x 2 Nitril | |
| 19 | 128500981 | 1 | CYLINDER BLOCK W/O MANOMETER | |
| 21 | 128500183 | 1 | Non Return Valve Sp | |
| 22 | 128500184 | 1 | Injektor | |
| 23 | 127500021 | 1 | Låsebøjle, stor | |
| 24 | 128500186 | 1 | Udgangsstuds | |
| 25 | 128500187 | 1 | Afgangst., Dynamic X-Tra | |
| 26 | 128500188 | 1 | Micro Switch Box System S P | |
| 27 | 128500196 | 1 | Microswitch Sp | |
| 28 | 128500190 | 1 | Easy Start Sp | |
| 29 | 128500191 | 1 | LOCK BRACKET SP | |
| 30 | 128500329 | 1 | VALVE PISTON COMPLETE JP SP | [12] |
| 30 | 128500192 | 1 | Valve Piston Complete Sp | |
| 31 | 6525619 | 1 | Låsebøjle Lille | |
| 32 | 128500200 | 1 | LOCK BRACKET SP | |
| 33 | 128500194 | 1 | Water Inlet Sp | |
| 34 | 128500195 | 1 | Tilgangsfilter | |
| 35 | 126486792 | 2 | Pakning, Tilgang & Afgang | |
| 36 | 6528615 | 1 | Slangestuds Kompl. | |
| 37 | 1814679 | 1 | Spændebånd | |
| 38 | 4973 | 1 | HOSE Ø6X3 | |
| 39 | 128500242 | 1 | M5 SCREW DIN916 SP | |

Part Notes:

- [1] - 0,08L - OIL TYPES_QUANTITY for HPW_APRIL 2017
- [2] - 2-29
- [3] - 2-16 60Hz JP, 2-20 US
- [4] - 2-22, 2-25
- [5] - 2-16 60Hz JP
- [6] - 2-25
- [7] - 2-16 50Hz JP, 2-20 US, 2-22 EU, 2-29 KR
- [8] - stainless 2-25, 2-22
- [9] - ceramic 2-29
- [10] - ceramic pistons 2-29

- [11] - steel pistons 2-25
- [12] - JP and US

| Pos. | Vare-nr | Antal | Beskrivelse | Notes |
|------|-----------|-------|--|-------|
| 00 | 106403122 | 1 | Ergo 2000 spulehåndtag m. svivel | [1] |
| 00 | 126528620 | 1 | Højtryksslange 10 m enkelt-wire DN6 | [2] |
| 00 | 101119496 | 1 | Ergo højtryksskobling sæt DN10 | |
| 00 | 6528613 | 1 | Højtryksslange 15 m enkelt-wire DN6 | [3] |
| 02 | 106403077 | 1 | TurboHammer Plus dyserør 0350 W12 95 cm | [4] |
| 02 | 106408221 | 1 | TurboHammer dyse 1/8" 0370 W12 Bronze | [5] |
| 02 | 106402282 | 1 | FlexoPower Plus dyserør u. dyse 96 cm | [6] |
| 02 | 101119736 | 1 | Tornado Plus dyse 1/8" 0350 Bordeaux | |
| 02 | 106408222 | 1 | TurboHammer Plus dyserør 0370 W12 113 cm | [7] |

Part Notes:

- [1] - ERGO 2000 Spray handle
- [2] - Hoses - POSEIDON 2, POSEIDON 2 XT
- [3] - XT
Hoses - POSEIDON 2, POSEIDON 2 XT
- [4] - TURBOHAMMER PLUS lance
- [5] - Poseidon 2-25XT
- [6] - FLEXOPOWER PLUS lance
- [7] - Poseidon 2-25XT
PRUNED – NO REPLACEMENT

