

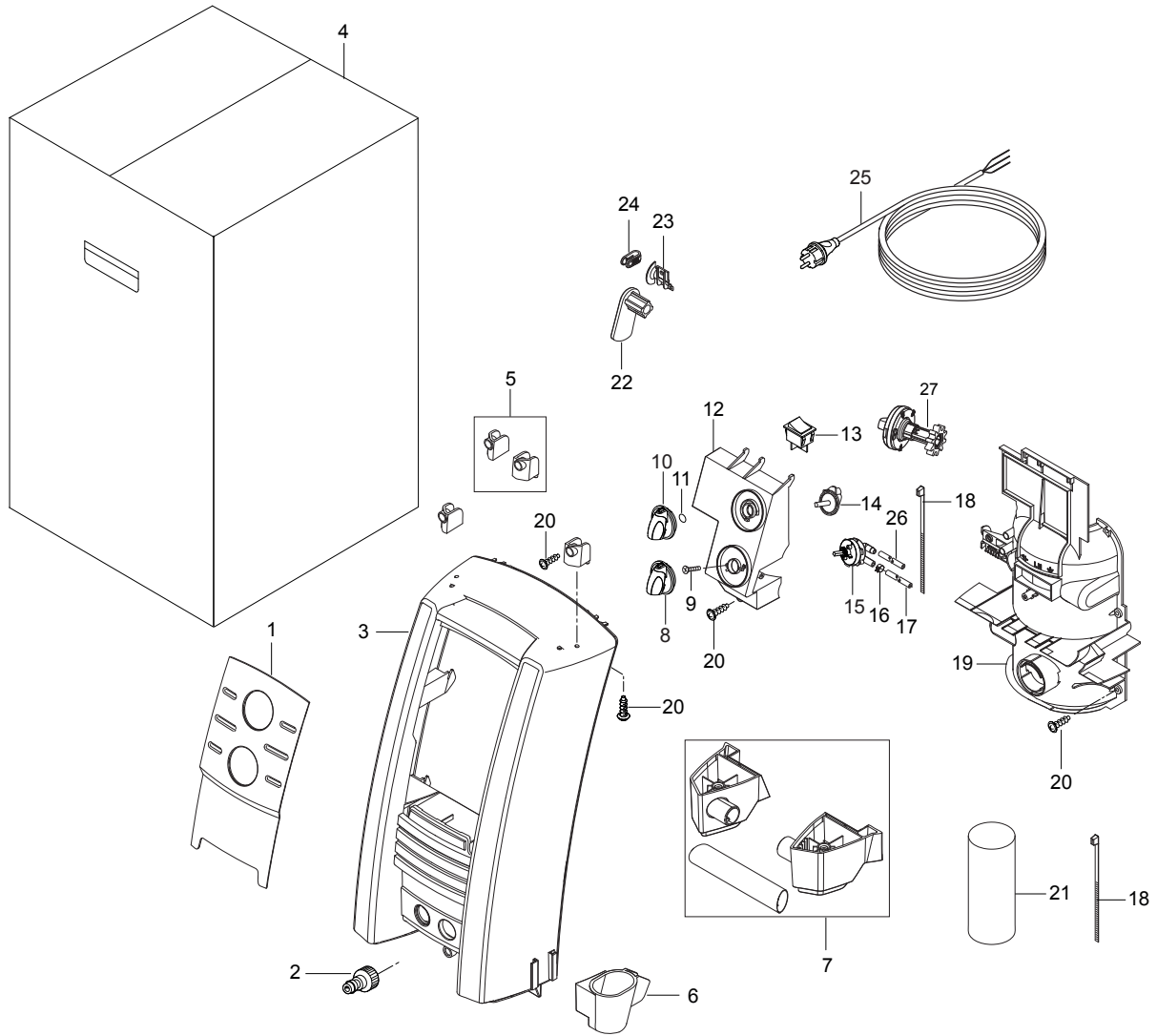
PARTS LIST



2017.07.31

TABLE OF CONTENTS

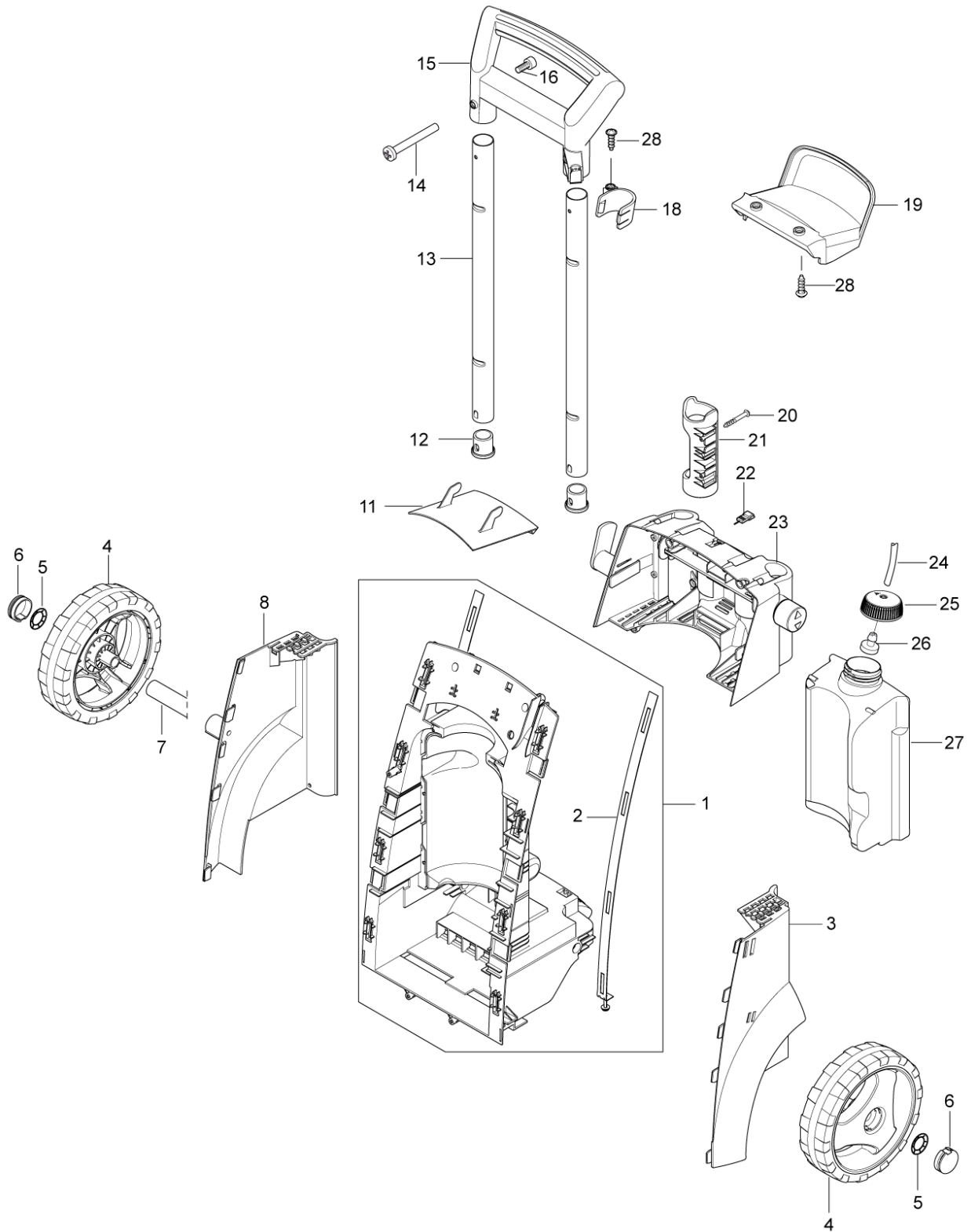
Overview front parts	1
Overview back parts	3
Hose reel	5
Motor pump	7
Default accessories	9



Pos.	Vare-nr	Antal	Beskrivelse	Notes
1	128500149	1	FRONT INSERT P130.2 SP	
1	128500151	1	FRONT INSERT P160.2 SP	
1	128500150	1	FRONT INSERT P150.2 SP	
2	1402809	1	Lynkoblingsstuds	
3	128500152	1	FRONT CABINET STANDARD SP	
3	128500884	1	FRONT CABINET W.PRINT P160.2	
3	128500153	1	Front Cabinet Xtra Sp	
4	128500940	1	10PCS 4C BOX SUPER PRO	
4	128500659	1	10PCS 4C PD TOP BOX P150.2	[1]
4	128500791	1	10PCS 4C BOX PRO	
5	128500146	1	BRACKET F.HOSEREEL HOLDER SP	
6	128500104	1	Lower Lance Holder Sp	
7	128500105	1	HIGH FOOT WITH GRIP SP	
8	909100214	1	Drejeknap Gr.1 4Kt	
9	1814730	2	SCREW 35X10B W1423	
10	909100204	1	Drejeknap	
11	9868	1	O-ring 10.0X2.5	
12	128500109	1	SWITCH BOX SP	
13	128500110	1	Switch Kcd4-16 Sp	[2]
14	128500108	1	SWITCH KNOB AXLE SP	[2]
15	128500106	1	Doseringsventil	
16	1814679	1	Spændebånd	
17	4973	1	HOSE Ø6X3	
18	1814741	1	CABLE TIE	
19	128500111	1	MOTOR SHIELD FRONT SP	[2]
20	107141838	10	SCREW K50X18 WN1451 BLACK TORX20	
21	128500154	1	Capacitor 100Uf Di.Sp	
21	128500148	1	Capacitor 50Uf 450V Di. S P	
22	128500155	1	Kabelholder drejbar	
23	128500121	1	CABLE RELIEF P12374 SP	
24	128500122	1	CABLE CLIP 16A SP	
25	128500123	1	CABLE W PLUG L.5000 EU SP	
25	128500125	1	CABLE W PLUG L.5000 GB SP	
25	128500157	1	CABLE W.PLUG L.5000 ZA SP	
25	128500158	1	CABLE W.PLUG L.5000 CH SP	
25	128500159	1	CABLE W.PLUG L.5000 JP SP	
25	128500896	1	PVC CABLE W.PLUG EU SP	
25	128500899	1	PVC CABLE W.PLUG 5000 GB SP	
25	128500900	1	PVC CABLE W.PLUG AU/NZ SP	
26	106408241	1	Slange 2M PVC 1/4" transparent	
27	128500227	1	KNOB FLOW REGULATION BLACK	[3]

Part Notes:

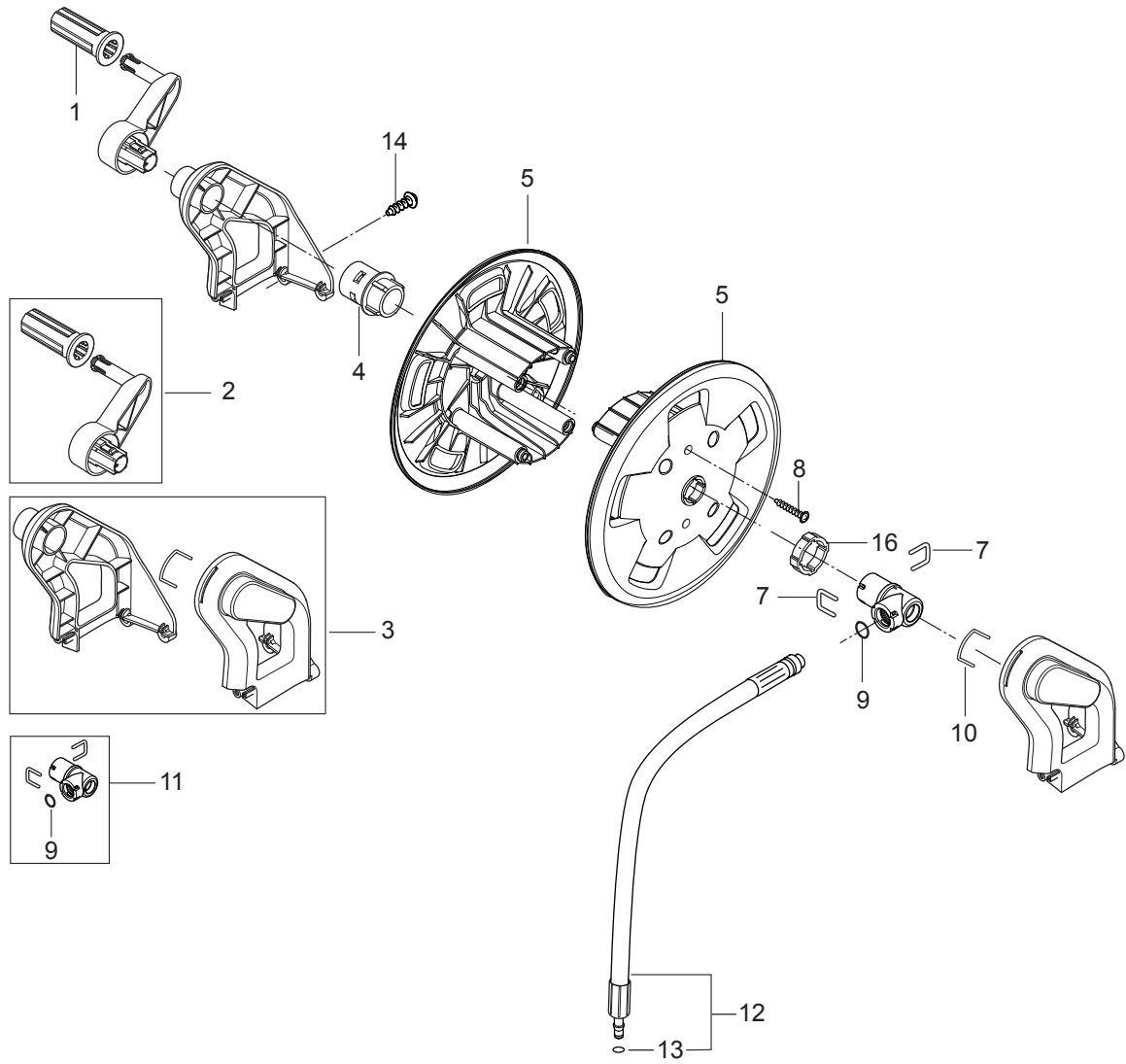
- [1] - PRUNED ACCESSORY
 [2] - TSB-CON-2014-001-Pro-Poseidon-On-Off-Switch-issues
 [3] - PRO PLUS



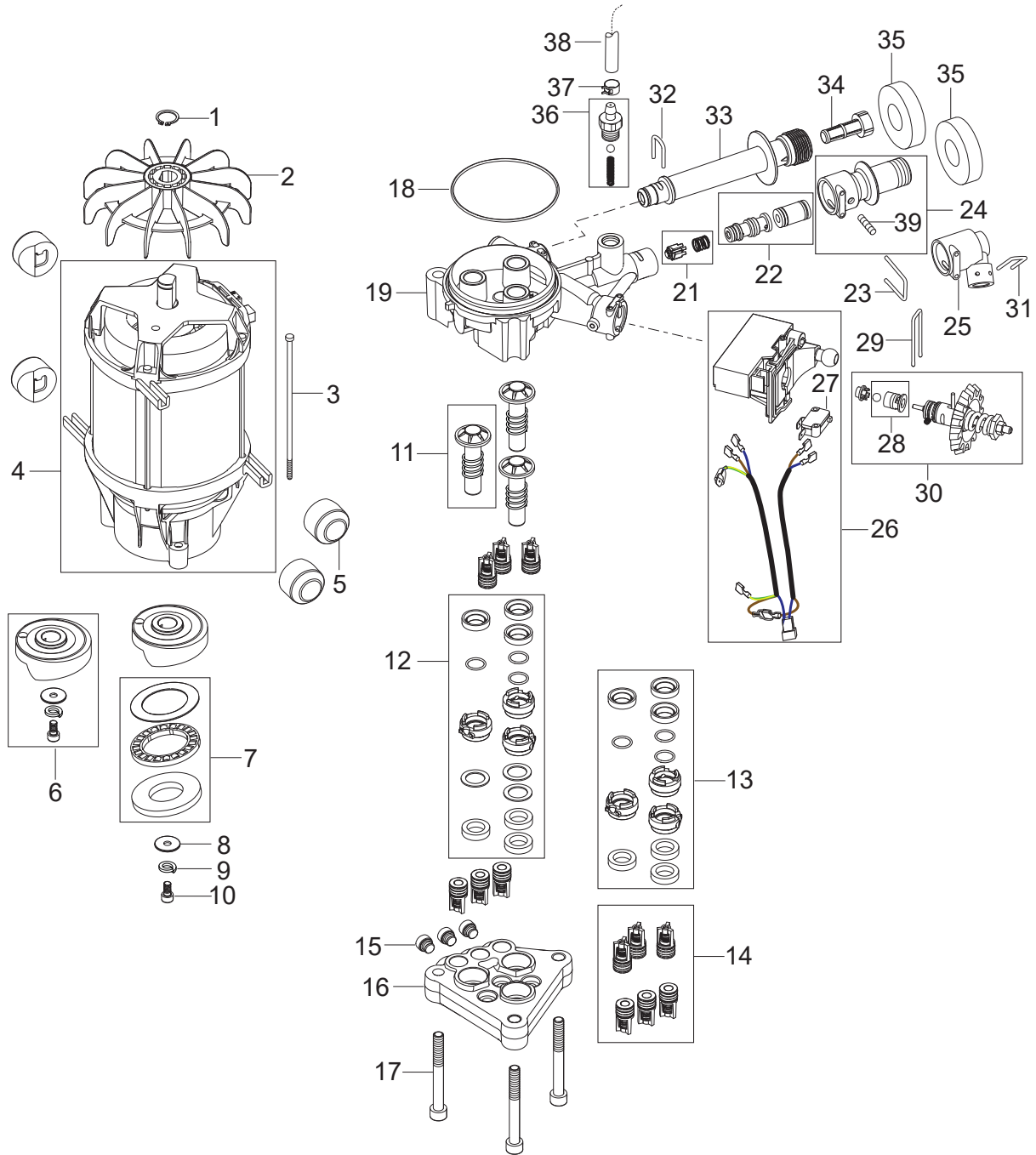
Pos.	Vare-nr	Antal	Beskrivelse	Notes
1	128500129	1	CHASSIS BLACK COMPLETE SP	
2	128500128	2	SLIDER COMPLETE SP	
3	128500119	1	SIDEBUMPER LEFT SP	
4	128500107	1	Hjul Ø200mm	
5	11710	2	Låsering	
6	128500118	2	Navkapsel aluminium	
7	6522842	1	AXLE 15X333 P12476	
8	128500116	1	SIDEBUMPER RIGHT SP	
11	128500135	1	UMBRELLA SP	
12	128500134	2	STOP FOR TELESCOPIHANDLE SP	
13	128500133	2	TELESCOPIC TUBES SP	
14	128500130	1	NUT FOR HANDLE M4X35 SP	
15	128500205	1	Kørehåndtag Komplet	
16	128500132	2	Skrue M4X8 Dzn7985	
18	128500143	1	LANCE HOLDER TOP SP	
19	128500144	1	HOSE HOOK SP	
20	128500203	1	SCREW K50X45 WN1451 SP	
21	128500136	1	GUN HOLDER SP	
22	6520844	1	Rensenål sort	
23	128500207	1	ACCESSORYSTORAGE XT BLUE SP	
23	128500160	1	ACCESSORYSTORAGE STD BLUE SP	
24	106408241	1	Slange 2M PVC 1/4" transparent	
25	107141664	1	CAP FOR DETERG. TANK WITH VALVE MOUNTED	[1]
26	128500141	1	Kemifilter	
27	128500142	1	Kemitank	
28	1814732	3	Skrue K50X18	

Part Notes:

[1] - PRUNED



Pos.	Vare-nr	Antal	Beskrivelse	Notes
1	128500750	1	HANDLE GRIB	
2	128500751	1	Håndtag med arm	
3	128500164	1	Hose Reel Support Sp	
4	128500869	1	AXLE FOR HOSE REEL	
5	6528570	2	Slangerulle	
7	6526487	2	Låsebøjle RF	
8	128500595	2	SCREW K50X35 WN1452 BLACK TORX	
9	3002144	1	O-ring 14,3X2,4 Nitril	
10	127440229	1	Låseclips	
11	127440011	1	Adapter system	
12	128500166	1	Connection Hose Sp	
13	3004108	1	O-ring 5,28X1,78 Nitril 90 Sh	
14	107141838	2	SCREW K50X18 WN1451 BLACK TORX20	
16	128500167	1	WASHER FOR HOSE REEL SP	



Pos.	Vare-nr	Antal	Beskrivelse	Notes
1	127500051	1	LOCK RING	
2	127500040	1	Ventilatorvinge	
3	7180924	4	STUD 145 MM	
4	128500169	1	MOTOR 3.3KW SP	
5	128332334	4	RACK FOR MOTOR	
6	128500172	1	WOBBLE DISC 10 DEGREE SP	[1]
7	1119705	1	Reparationskit leje	
8	127130066	1	Spændeskive Ø22XØ6.4X1.5	
9	127500050	1	SPRING WASHER	
10	3913	1	Skrue M6X12	
11	6528577	3	Trykstempel Keramisk	[2]
11	6526016	3	Rep, Sæt Stempel	[3]
11	301000836	1	PISTON STAINLESS REP.KIT 3PCS	
12	128500178	1	Rep Sealing Sys Ceramic S P	
13	128500179	1	REP SEALING SYS STAINLESS SP	
14	6526026	1	Rep. sæt ventilsystem	
15	6528586	3	Prop Med O-Ring	
16	6528616	1	Topstykke +0.3	[4]
16	127440028	1	CYLINDERHEAD	[5]
17	1814597	3	Skrue M8X70	
18	3003654	1	O-ring 80 x 2 Nitril	
19	128500981	1	CYLINDER BLOCK W/O MANOMETER	
21	128500183	1	Non Return Valve Sp	
22	128500184	1	Injektor	
23	127500021	1	Låsebøjle, stor	
24	128500186	1	Udgangsstuds	
25	128500187	1	Afgangst., Dynamic X-Tra	
26	128500188	1	Micro Switch Box System S P	
27	128500196	1	Microswitch Sp	
28	128500190	1	Easy Start Sp	
29	128500191	1	LOCK BRACKET SP	
30	128500192	1	Valve Piston Complete Sp	
31	6525619	1	Låsebøjle Lille	
32	128500200	1	LOCK BRACKET SP	
33	128500194	1	Water Inlet Sp	
34	128500195	1	Tilgangsfilter	
35	126486792	2	Pakning, Tilgang & Afgang	
36	6528615	1	Slangestuds Kompl.	
37	1814679	1	Spændebånd	
38	4973	1	HOSE Ø6X3	
39	128500242	1	M5 SCREW DIN916 SP	

Part Notes:

- [1] - EU
- [2] - ceramic
- [3] - stainless
- [4] - steel pistons
- [5] - ceramic pistons

Pos.	Vare-nr	Antal	Beskrivelse	Notes
0-	128500072	1	Spulehåndtag SoftGrip G5	[1]
00	128500083	1	Højtryksslange Superflex 10 m	[2]
00	128500082	1	Højtryksslange Superflex 10 m	[3]
00	128500084	1	Højtryksslange Superflex 15 m	[3]
00	128500078	1	Tornado PR dyse (bronze)	[4]
00	128500079	1	Powerspeed dyse (rød)	[5]
00	6520844	1	Rensenål sort	
00	128500075	1	Forlængerrør G5	[6]

Part Notes:

- [1] - See Spray handle, hoses and nozzles G5 P130 - P150 - P160 and X-TRA
- [2] - Hoses - DYNAMIC X-TRA, DYNAMIC >00.06], E125, E135, P140, P150, PRO
- [3] - Hoses - DYNAMIC X-TRA, DYNAMIC >00.06], E125, E135, P140, P150, PRO X-TRA (With hose reel)
- [4] - TORNADO - DYNAMIC, PRO
- [5] - POWERSPEED - DYNAMIC , PRO
- [6] - Spray handle, hoses and nozzles G5 P130 - P150 - P160 and X-TRA

