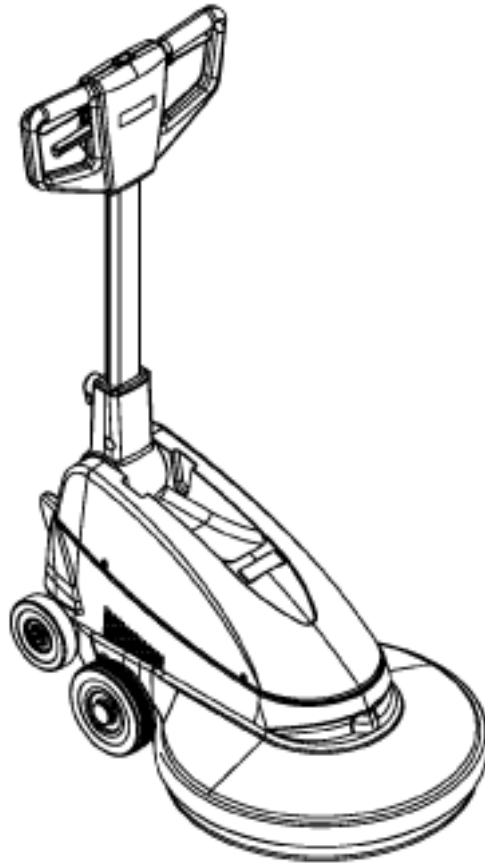


# PARTS LIST

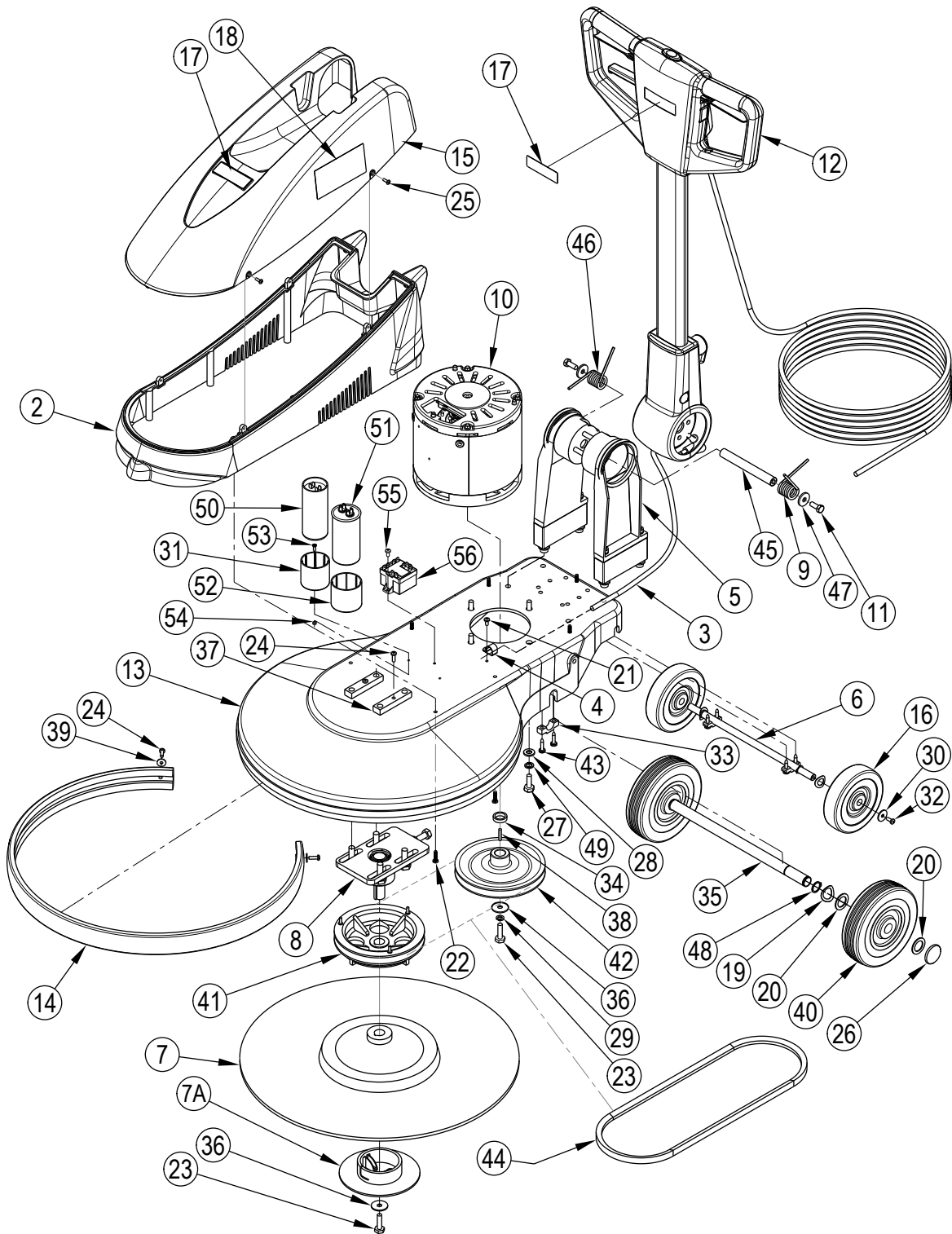


2017.08.01

# TABLE OF CONTENTS

---

Machine overview .....	1
Handle system .....	4
Pads guide and wiring .....	7
Recommended spare parts .....	9



Pos.	Vare-nr	Antal	Beskrivelse	Notes
2		1	BOTTOM COVER	
3	VF45121B	1	BURNISHER INTERCONNECT CABLE	
4	VV50712	1	CLAMP	
5	VF52213	1	ARM KIT	
6	VF52214	1	AXLE TRANSPORTATION KIT	
7	56925A	1	PAD DRIVER	
7A	57369A	1	"Retainer, Pad, ""Bot Half Only""	[1]
8	VF52220	1	DRIVEN SHAFT KIT	
9	VF521112	1	HANDLE LEFT SPRINGSRING, CCW	[2]
10	YLQ40300	1	BU500 MOTOR ASM KIT	[3]
10	YLQ40000	1	BU500 MOTOR ASM	[4]
11		2	SCR M8 X 20 HEX	
12		1	SEE HANDLE ASSEMBLY	
13	20038A	1	MAINFRAME GRAY BURNISHER	
14	30886A	1	BUMPER	
15		1	COVER UPPER	
16	VF52017N	2	WHEEL TRANSPORT	
17		2	LABEL HANDLE NILFI SK	
18		2	LABEL NILFI SK BU500	
19		2	WASHER BOWED 20 MM	
20		2	WASHER FLAT 20 MM	
21	VV20509	1	SCREW M5 X 10	
22		7	SCREW M5 X 20-ST PH	
23	GT13018	2	SCREW M8x30	
24	VA13474	4	SCREW M5 X 16	
25		4	SCREW	
26	VA96851	2	WHEEL CAP	
27	VF13497	4	SCREW 3/8-16 HEX	
28	VF13517	4	WASHER PLAIN F10x20x2.5	
29	VF13519	1	WASHER LOCK M8	
30	VF13666	2	WASHER PLAIN F6	
31	VF52110	2	CLAMP CAPACITOR	
32	VF44012	2	SCREW M6X12.7	
33		2	WHEEL CLAMP LARGE	
34	VF52008	1	SPACER DRIVING PULLEY	
35		1	AXLE MAIN	
36	VF52021	2	WASHER PLAIN F8x30x5	
37	VF52106	2	MOUTING PLATE	
38	ZD40205	1	KEY MOTOR	
39	VF13474A	2	WASHER PLAIN f5xf16	
40		2	WHEEL 160MM DIA. GRAY	
41	VF52004A	1	DRIVEN PULLEY	
42	VF52009G	1	DRIVING PULLEY	
43		4	SCR M5X20 SELF TAPPING CROSS RECESS	
44	VF14079	1	VEE BELT 43 INCH	
45		1	SHAFT	
46	VF521113	1	HANDLE RIGHT SPRINGSRING, CCW	[5]
47		2	WASHER 8MM	
48		2	RING-RETAINING EXTERNAL 19MM (.750)	
49	VF13518	4	WASHER LOCK f10	
50	VF999849	1	START CAPACITOR 100F/300V	
51	VF32109	1	RUNNING CAPACITOR 20UF/600V	[6]
51	YLQ14401	1	RUNNING CAPACITOR	[6]
52	VF74102	1	HOLDER SMALL CAPACITOR	
53	VF13490	2	SCREW M4 x 12	
54	GT13014	1	NUT M4 NYLON INSERT	
55	VV13650A	1	SCREW M4X10	[7]
56	YLQ28304	1	START RELAY	[7]
K1	56381549	1	UPPER COVER KIT NILFISK BU500	[8]

Pos.	Vare-nr	Antal	Beskrivelse	Notes
K2	56381551	1	LOWER COVER KIT NILFISK BU500	[8]
K3	56381554	1	BURNISHER BALANCE SPRING KIT	[9]
K4	56381556	1	BURNISHER MAIN AXLE KIT	[8]
K5	11282A	2	Hjul kit	[8]
K6	56381544	1	DECAL KIT BU500	[8]

## Part Notes:

[1] - part of 56925A)

[2] - SPRING, CCW

TSB-FC-2016-263 handle spring BU500

DE TSB-FC-2016-263 BU500 Spintec 551 Haltegriff Feder

[3] - Machines built before February 2017 used Motor YLQ36000 (now obsolete), to replace order SP-YLQ40300 Motor Assembly Kit.

[4] - TSB-FC-2017-282 new motor BU500

DE TSB-FC-2017-282 BU500 Spintec 551 neuer Motor

Machines built before February 2017 used Motor YLQ36000 (now obsolete), to replace order SP-YLQ40300 Motor Assembly Kit.

[5] - SPRING, CCW

TSB-FC-2016-263 handle spring BU500

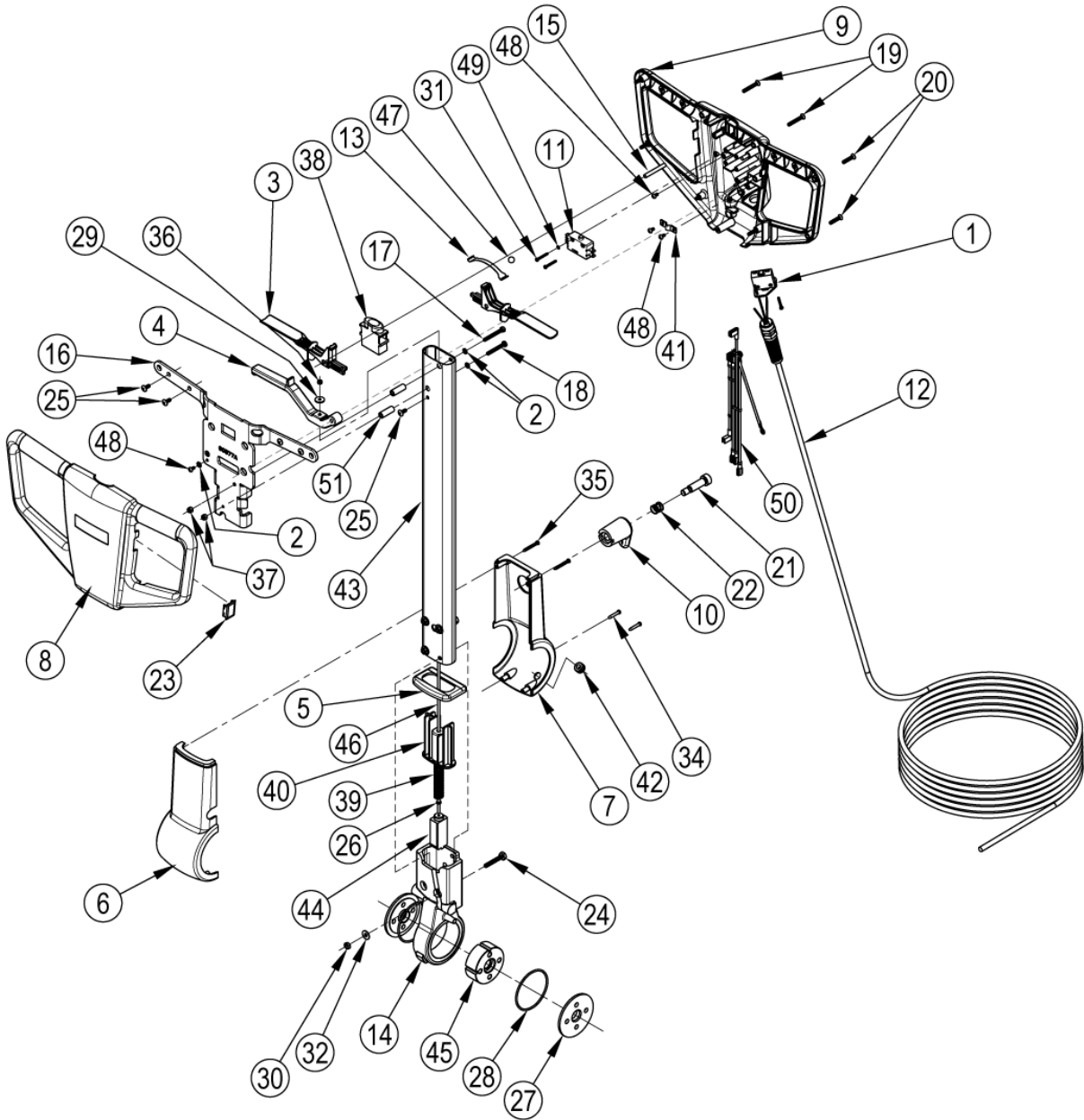
[6] - Machines built before February 2017 used Run Capacitor VF32109. Machines built after January 2017 (and machines updated with SP-YLQ40300 Motor Assembly Kit) use run capacitor YLQ14401.

[7] - Only used on machines built after January 2017 (and machines updated with SP-YLQ40300 Motor Assembly Kit).

[8] - NS = Not Shown K1 incl. pos.15,25 K2 incl. pos. 2,22 K3 incl. pos. 9,11,45,46,47 K4 incl. pos.33,35,43 K5 incl. pos. 19,20,26,40,48 K6 incl. pos. 17,18

[9] - NS = Not Shown K1 incl. pos.15,25 K2 incl. pos. 2,22 K3 incl. pos. 9,11,45,46,47 K4 incl. pos.33,35,43 K5 incl. pos. 19,20,26,40,48 K6 incl. pos. 17,18

TSB-FC-2016-263 handle spring BU500



Pos.	Vare-nr	Antal	Beskrivelse	Notes
01	VF99012	1	CIRCUIT BREAKER 12 AMP	
02		3	WASHER SH 1210-00	
03		2	LEVER SWITCH	
04		1	LEVER HANDLE ADJUSTMENT	
05		1	CAP RUBBER	
06		1	COVER FRONT	
07		1	COVER REAR	
08		1	COVER HANDLE FRONT	
09		1	COVER HANDLE REAR	
10		1	HOOK CORD	
11	40263A	1	Kontakt	
12	40249A	1	CORD POWER UK	[1]
12	40268A	1	CORD POWER	[2]
13		1	SPRING INTERLOCK BUTTON	
14		1	HOUSING GEAR INDEX	
15		3	PIN HANDLE SUPPORT	
16		1	HANDLE SUPPORT	
17		1	SCREW M5 X 43 SS HEX HEAD	
18		1	SCREW M5 X 40 SS PAN HEAD PHILLIPS	
19		2	SCREW M5 X 35 SS FLAT HEAD PHILLIPS	
20		6	SCREW M5 X 25 SS FLAT HEAD PHILLIPS	
21		1	SCR SHOULDER 12MM X 35MM, M10-1.5	
22		1	SPRING 15 MM X 15 MM LONG	
23	VF54041	1	HANDLE PLUG	
24		4	SCREW M6 X 40 SS HEX HEAD	
25		6	SCREW M5 X 12 SS TRUSS HEAD PHILLIPS	
26		1	NUT	
27		2	PLATE-GROOVED	
28		2	O-RING	
29		1	WASHER M4 X 16	
30		4	NUT	
31		2	SCREW M3 X 25 SS PAN HEAD PHILLIPS	
32		4	WASHER	
33		1	K1 incl. pos. 10,21,22	
34		2	SCREW ST4-1.4 X25 PAN HEAD	
35		2	SCREW ST4-1.4 X 30 PAN HEAD	
36		1	Nut M4 SS Nylon Insert	
37		1	Nut Lock M5 SS Hex	
38		1	BUTTON INTERLOCK	
39		1	SPRING	
40		1	HOUSING SPRING BLACK	
41		1	CLAMP CORD	
42		1	STRAIN RELIEF	
43		1	TUBE HANDLE	
44		1	GEAR HANDLE ADJUSTMENT	
45		1	GEAR	
46		1	Plunger Rod	
47		1	BALL INTERLOCK 10MM	
48		2	Screw, M4 X 8 SS Pan Head Phillips	
49		2	WASHER M3 EXTERNAL TOOTH	
50	56381542	1	SWITCH WIRE ASM	
51		1	Support Handle Tube	
K1	11269A	1	CORD WRAP KIT	[3]
K2	11280A	1	HANDLE COVER KIT	[4]
K3	11273A	1	HANDLE SUPPORT KIT	[5]
K4	56381557	1	GEAR HOUSING COVER KIT	[6]
K4	11274A	1	Udløserkit til håndtag	[7]
K6	56381558	1	BURNISHER GEAR SET KIT	[8]
K7	56381559	1	GEAR HOUSING AND TUBE KIT	[9]

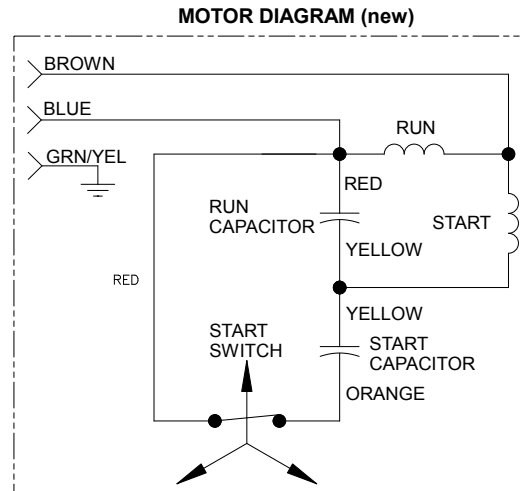
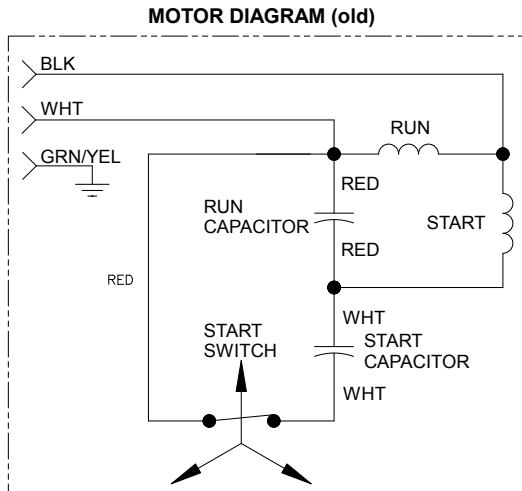
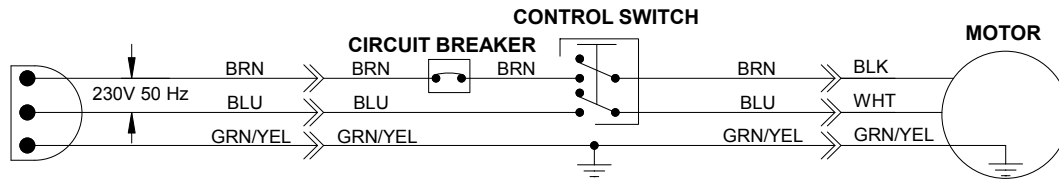
---

Pos.	Vare-nr	Antal	Beskrivelse	Notes
K8	11286A	1	RELEASE SPRING AND ROD KIT	[10]

## Part Notes:

- [1] - (only on 56380064)
  - [2] - (only on 56380063)
  - [3] - K1 incl. pos. 10,21,22
  - [4] - K2 incl. pos. 8,9,19,20
  - [5] - K3 incl. pos. 2,16,17,18,25,37
  - [6] - K5 incl. pos. 5,6,7,34,35,42
  - [7] - K4 incl. pos. 3,4,13,15,29,31,36,38,41,47,48,49
  - [8] - K6 incl. pos. 27,28,44,45
  - [9] - K7 incl. pos. 14,24,30,32,40,43,51
  - [10] - K8 incl. pos. 29, 36, 46
-





Resource notes:

Natural Blend (Tan): Natural hair and synthetic fiber pad designed for best mark removal. For use on harder finishes or in high traffic areas. Removes marks and scratches while it polishes. UHS (Aqua): A superior soft pad that lightly polishes the floor for a reflective appearance. Natural Blend (White): Natural hair and synthetic fiber pad designed for best gloss. Provides excellent results on a wide variety of floor finishes and traffic conditions.

Pos.	Vare-nr	Antal	Beskrivelse	Notes
	976352	1	PADS CS20 TANNATRLBLEND CS/5EA	[1]
	976327	1	PADS CS20 WHTNATRLBLEND CS/5EA	[1]
	976240	1	PADS CS20 AQUA ULTRA HS CS/5EA	[1]

Part Notes:

[1] - COMPLEXITY REDUCTION

Resource notes:

CLASS W = Normal Wear OM = Ordinary Maintenance EM = Extra-Ordinary Maintenance

Pos.	Vare-nr	Antal	Beskrivelse	Notes
			FINAL ASSEMBLY	
			Extra-Ordinary Maintenance	
E	40268A	1	CORD POWER	
E	40249A	1	CORD POWER UK	
			BASE SYSTEM	
			Ordinary Maintenance	
O	30886A	1	BUMPER	
O	VF14079	1	VEE BELT 43 INCH	
O	YLQ14401	1	RUNNING CAPACITOR	
O	56925A	1	PAD DRIVER	
O	VF52220	1	DRIVEN SHAFT KIT	
O	VF999849	1	START CAPACITOR 100F/300V	
			Extra-Ordinary Maintenance	
E	56381544	1	DECAL KIT BU500	
E	56381549	1	UPPER COVER KIT NILFISK BU500	
E	56381551	1	LOWER COVER KIT NILFISK BU500	
E	56381554	1	BURNISHER BALANCE SPRING KIT	
E	11282A	2	Hjul kit	
E	VF52004A	1	DRIVEN PULLEY	
E	VF52009D	1	DRIVING PULLEY	
E	VF52017N	2	WHEEL TRANSPORT	
E	YLQ40000	1	BU500 MOTOR ASM	
			HANDLE ASSEMBLY	
			Ordinary Maintenance	
O	11274A	1	Udløserkit til håndtag	
O	40263A	1	Kontakt	
			Extra-Ordinary Maintenance	
E	11269A	1	CORD WRAP KIT	
E	11273A	1	HANDLE SUPPORT KIT	
E	11280A	1	HANDLE COVER KIT	
E	11286A	1	RELEASE SPRING AND ROD KIT	
E	56381558	1	BURNISHER GEAR SET KIT	
E	56381559	1	GEAR HOUSING AND TUBE KIT	
E	56381557	1	GEAR HOUSING COVER KIT	
E	VF99012	1	CIRCUIT BREAKER 12 AMP	

