

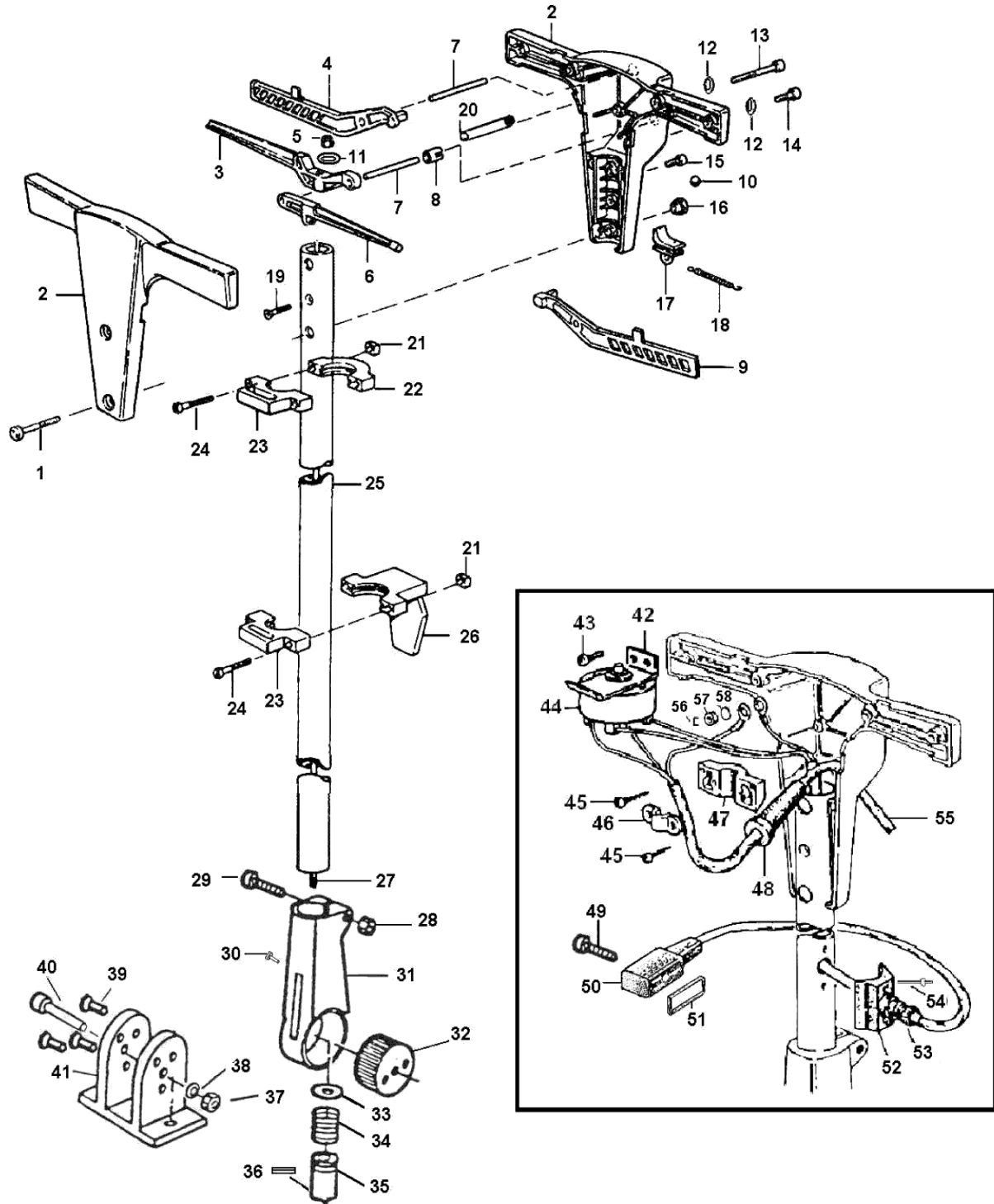
PARTS LIST



2017.08.01

TABLE OF CONTENTS

Handle	1
Handle Ergoline - after SN 002530	4
Base	6
Gearbox	9
Tank	11
Accessories	13

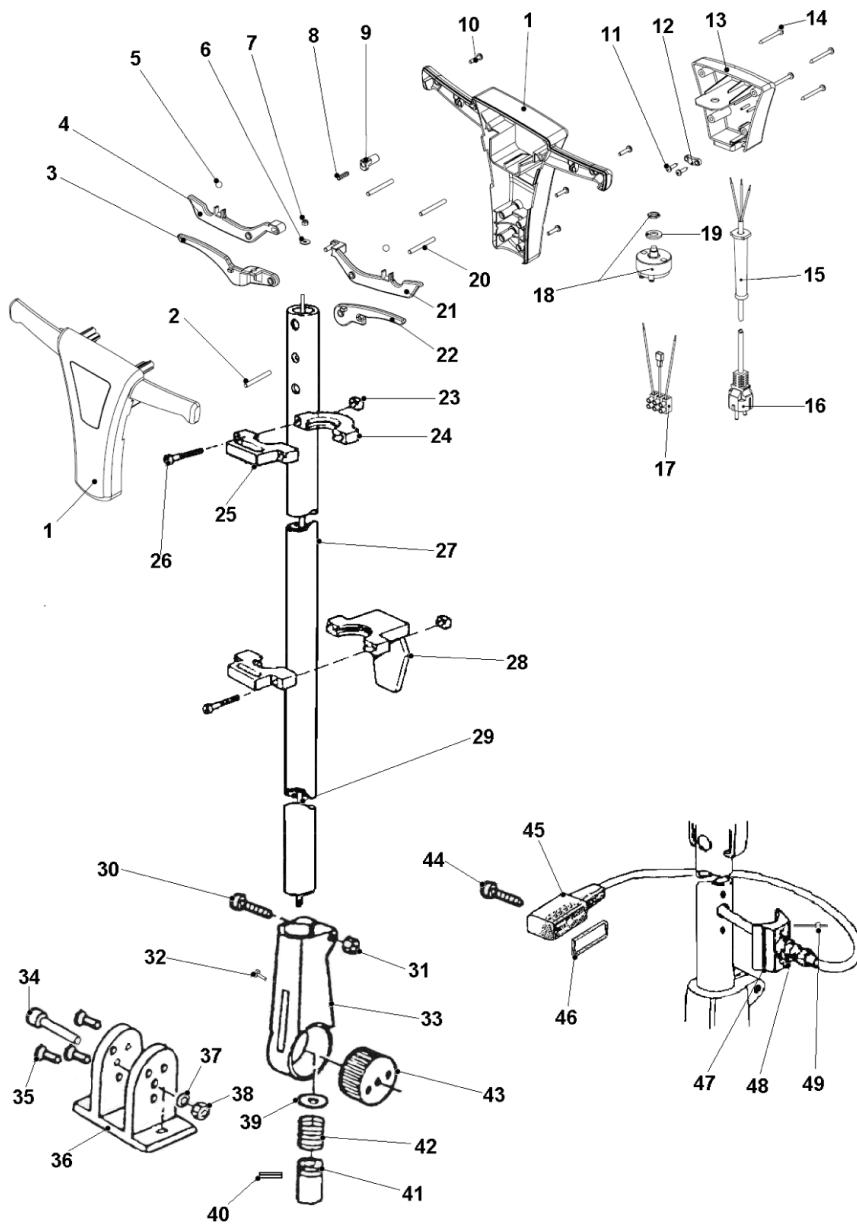


Pos.	Vare-nr	Antal	Beskrivelse	Notes
01	145 0601 000	2	Skruv	
02	145 0602 000	1	Håndtag Ps333, Komplet	
03	145 0603 000	1	HANDLE.	
04	145 0604 000	1	Handtag Höger	
05	145 0605 000	1	MUTTER	
06	145 0606 000	1	LEVER.	
07	145 0607 000	3	PIN	
08	60003100	1	SPACER. SHORT	
09	145 0609 000	1	Handtag Vänster	
10	60003101	2	SECURITY SPHERE	
11		1	WASHER, D5	
12		6	WASHER SCHNORR, DA6 C70	
13		2	COVER SCREWS, M6X60	
14		4	COVER SCREWS, M6X16	
15		2	SCREW, M5X30	
16	145 0615 000	2	Mutter	
17	145 0616 000	2	Spärr	
18	145 0617 000	2	Fjäder	
19		1	SCREW, TSPCEI M5X30	
20	60003102	2	SPACER. LONG	
21		1	INCLUDED IN KIT 104	
22		4	INCLUDED IN KIT 104	
23		4	INCLUDED IN KIT 104	
24		1	INCLUDED IN KIT 104	
25	145 0619 000	1	HANDLE TUBE PS333	
26		4	INCLUDED IN KIT 104	
27	145 0620 000	1	Stång	
28		1	NUT, M6	
29		1	SCREW TCEI M6X30	
30	78513012	1	RETAINING BOLT	
31	145 0623 000	1	JOINT	
32	145 0627 000	1	Tandhjul F.Ps33	
33	145 0631 000	1	WASHER	
34	145 0632 000	1	SPRING	
35	145 0633 000	1	PRESSURE PLUNGER PS333	
36	60003103	1	PIN D4 L8	
37		1	NUT, M8	
38		1	WASHER D8	
39		3	SCREW TSPCEI M6X20	
40		1	PIVOT BOLT TCEI M8X50	
41	78514241	1	Bracket	
42	145 0651 000	1	Holder, Afbryder Ps333	
43		2	SCREW, TCC M5X10	
44	145 0635 000	1	Strömbrytare Ps333/343	
45		4	SCREW TE 4.4X18 WITH EDGE	
46	145 0639 000	1	CABLE GROMMET	
47	145 0640 000	1	CABLE GROMMET	
48	145 0652 000	1	SLEEVE.	
49		1	SCREW TCC M3X30 WITH EDGE	
50	78512600	1	CABLE WITH STRAIGHT CONN.	
50	60003135	1	CABLE WITH PLUG 3X1	
51	60003104	4	GASKET MPM	
52	145 0643 000	1	Dragavlastning	
53	60003105	1	GUIDING SLIT PG9	
54		2	RIVET 4.8X10	
55	60003136	1	POWER CABLE	
55	78512055	1	Main Cable	
56	60003137	1	SQUARE WITH HOLE	
57		1	NUT M4 (FROM SN 001101)	

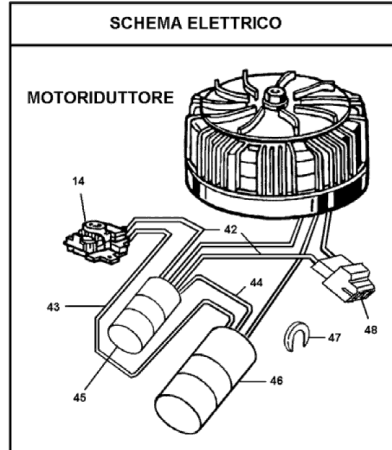
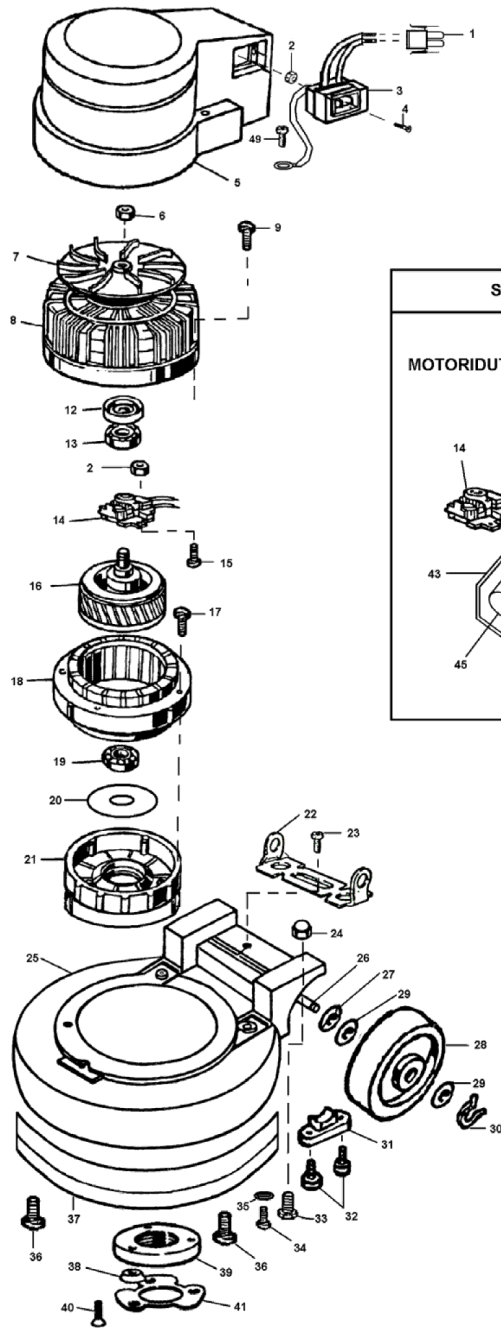
Pos.	Vare-nr	Antal	Beskrivelse	Notes
58		1	WASHER D4 (FROM SN 001101)	
100	60003106	1	HANDLE KIT COMPLETE	[1]
101	60003134	1	HANDLE KIT COMPLETE	[2]
102	60003107	1	SCREW KIT HANDLE	[3]
103	60003108	1	SELECTOR KIT COMPLETE	[4]
104	60003126	1	TANK FIXING KIT	[5]

Part Notes:

- [1] - POS: 1-20, 42, 43, 45-48
- [2] - POS: 1-20, 42, 43, 45-48, 56-58
- [3] - POS: 1, 13-16
- [4] - POS: 28, 29, 31, 32, 37-41
- [5] - POS: 21-24, 26



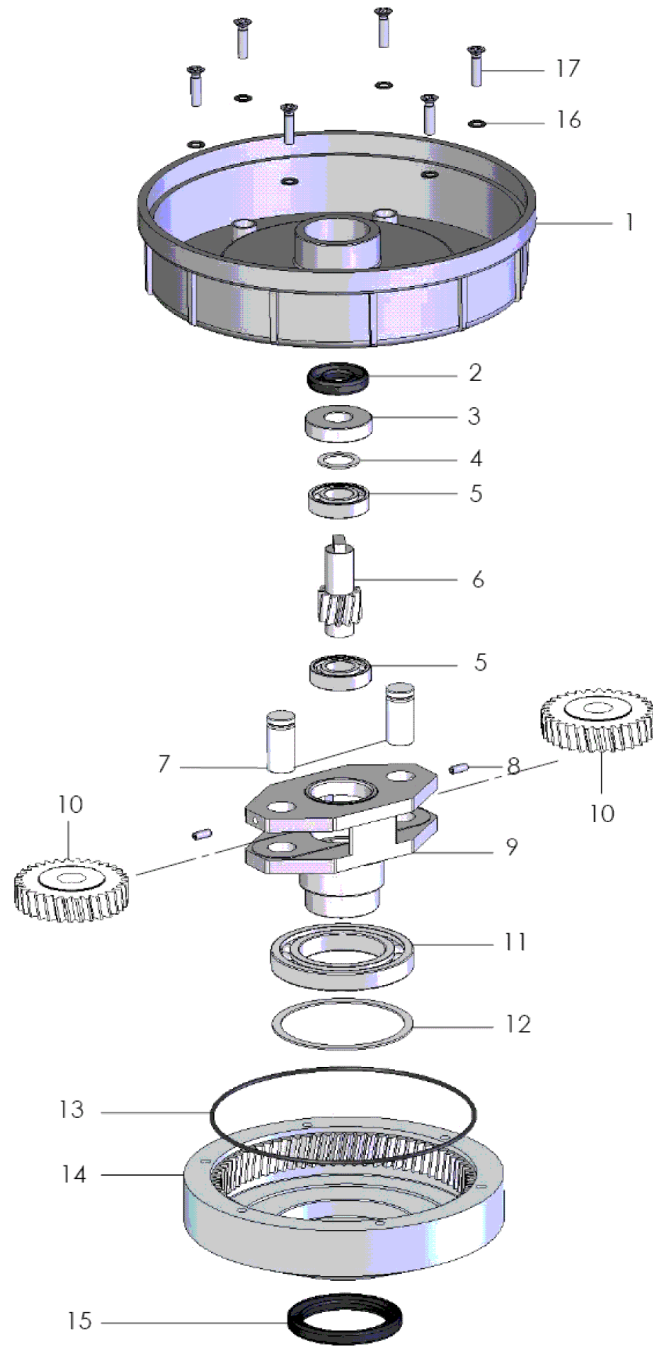
Pos.	Vare-nr	Antal	Beskrivelse	Notes
01	31000288	1	COVER FRONT & REAR	
02	31000289	1	PIN D6 X 54	
03	31000290	1	HANDLE ADJUSTMENT LEVER	
04	31000291	1	SWITCH LEVER RIGHT	
05	60003101	1	SECURITY SPHERE	
07	145 0605 000	1	MUTTER	
08	31000292	1	SPRING F. SAFETY SWITCH	
09	31000293	1	DAFETY SWITCH	
12	31000294	1	RETAINER	
13	31000295	1	BOX ELECTRICAL COMPONENT	
15	145 0652 000	1	SLEEVE.	
16	60003136	1	POWER CABLE	
16	31000296	1	CABLE 3X1.5 MT.12	
17	31000297	1	SOCKET	
18	145 0635 000	1	Strömbrytare Ps333/343	
20	31000298	1	PIN D6 X 58	
21	31000299	1	SWITCH LEVER LEFT	
22	31000300	1	HANDLE F. TANK	
24	60003126	1	TANK FIXING KIT	
25	60003126	1	TANK FIXING KIT	
27	145 0619 000	1	HANDLE TUBE PS333	
28	60003126	1	TANK FIXING KIT	
29	145 0620 000	1	Stång	
32	78513012	1	RETAINING BOLT	
33	145 0623 000	1	JOINT	
36	78514241	1	Bracket	
40	60003103	1	PIN D4 L8	
41	145 0633 000	1	PRESSURE PLUNGER PS333	
42	145 0632 000	1	SPRING	
43	145 0627 000	1	Tandhjul F.Ps33	
45	60003135	1	CABLE WITH PLUG 3X1	
46	60003104	1	GASKET MPM	
47	145 0643 000	1	Dragavlastning	
48	60003105	1	GUIDING SLIT PG9	
100	31000301	1	HANDLE KIT COMPLETE	



Pos.	Vare-nr	Antal	Beskrivelse	Notes
00	78517351	1	PS 333A BASE	[1]
01	60003109	1	PIN CONNECTOR	
02		3	BOLT M4	
03	78512007	1	Inlet Socket	
04	60003110	1	SPECIAL SCREW M4X14	
05	78515442	1	Top Cover And Motor Hous.	
06	78513868	1	NUT	
07	78515443	1	COOLING FAN	
08	60003111	1	MOTOR COVER	
09		4	SCREW TCC 4X40	
12		1	GAITER FOR BEARING 6001 ZZ	
13		1	BEARING 6001 ZZ	
14	60003114	1	DISJUNCTOR	
15		2	SCREW TCC M4X16	
16	60003132	1	ROTOR D. 127	
16		1	ROTOR D125 H30 (UNTIL SN 001101)	
17		6	SCREW TCC 3,9X44	
18		1	STATOR D200/125 H30 (UNTIL SN 001101)	
18	60003133	1	STATOR 200 X 127	
19		1	BEARING E15	
20		1	WASHER 70X180X0.2	
21	60003117	1	REDUCTION GEAR	
22	78514117	1	CAPACITOR HOLDER	
23		1	SCREW TCCS 5X10 (UNTIL SN 001101)	
23		1	SCREW C15 SW 5X10 TS PH (FROM SN 001101)	
24		2	NUT M8	
25	78514160	1	BASE CASTING	
26		1	WHEEL AXLE D12	
27		2	WHEEL WASHER 12X17X0.5	
28		2	WHEEL D100X36 DIAMETER 12	
29		2	WASHER D 12X18X0.5	
30		2	CIRCLIP 12E	
31	78515273	2	HANDLEBAR RETAINER	
32	78513007	4	SCREW	
33		2	SCREW TE M8X20	
34		2	SCREW TCEI M5X30	
35		4	WASHER DA5	
36		5	SCREW M5X16	
37	78516050	1	Gummibeskytter	
38		1	SPACER+ NUT 25X5.25	
39		1	DRIVE HUB D36	
40		3	SCREW SW TSCE M8X20 INOX A2	
41		1	DRIVE HUB PLATE	
42	60003118	1	CONDUCTOR WHITE DISJUNCTO	
43	60003119	1	CONDUCTOR WHITE	
44	60003120	1	CONDUCTOR YELLOW	
45	78512882	1	CAPACITOR	
46	145 0646 000	1	Kondensator Ps333	
47	60003121	1	COVER CAP D45	
48	60003122	1	CONNECTOR PIN	
49		1	SCREW C15 SW 5X6 TC PH (FROM SN 001101)	
100	78511392	1	MOTOR AND GEARBOX ASSY.	[2]
101	60003130	1	MOTOR REDUCTOR	[2]
102	60003123	1	Drive Hub Kit Complete Ps 333	[3]
103	60003124	1	Hjul Kit	[4]
104	60003125	1	PLUG KIT	[5]
105	20708400	1	KIT REPLACEMENT STATOR AND ROTOR	[6]
106	20708500	1	KIT REPLACEMENT MOTOR AND GEARBOX	[6]

Part Notes:

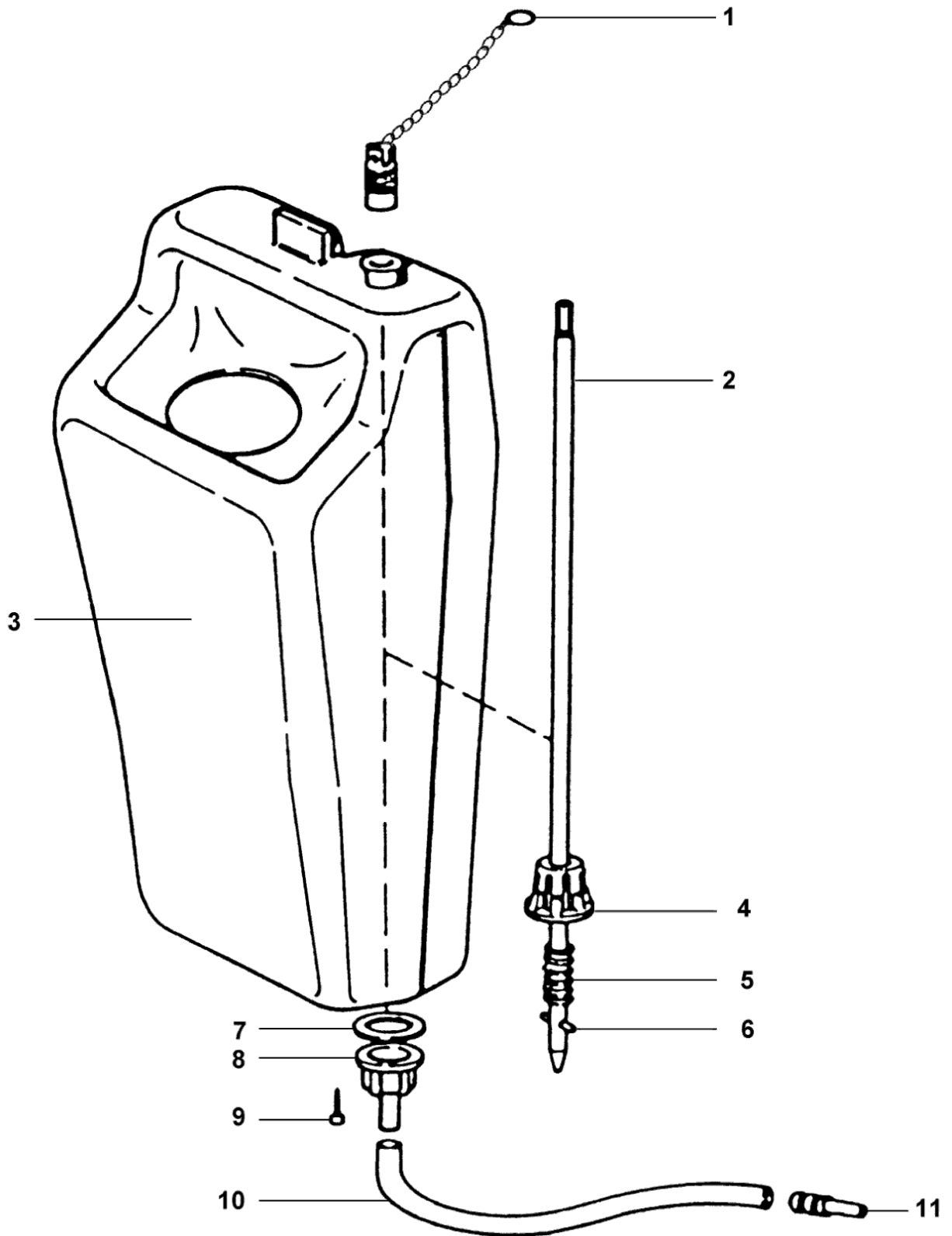
- [1] - INTERNAL USE ONLY
- [2] - POS: 2, 8, 9, 12-21, 38-43,48
- [3] - POS: 38-41
- [4] - POS: 26-30
- [5] - POS: 1-4
- [6] - UPDATE KIT: SEE TSB_SD 2007-001 TSB SD 2007-001. New machine motor and Class I isolation



Pos.	Vare-nr	Antal	Beskrivelse	Notes
01	60003127	1	GEARBOX SUPPORT	
02		1	OLI SEAL 15X32X7 NBR TC	
03		1	BEARING E15	
04		1	WASHER D16X22X1	
05		2	BEARING SC 16002	
06		1	LAYSHAFT	
07	78514179	2	GEAR SHAFT	
08	78513010	2	GRUB SCREW	
09	78514183	1	Gear Holder	
10	78515233	2	GEAR	
11		1	BEARING SC 16009	
12		1	WASHER 65X74X1	
13		1	O-RING 140X2	
14	78514194	1	PLANETARY BOX	
15	78513006	1	OIL SEAL	
16		6	CONIC WASHER D5	
17		6	SCREW TSPCEI M5X20	
100	60003128	1	GEARBOX COMPLETE	[1]

Part Notes:

[1] - POS: 1-17



Pos.	Vare-nr	Antal	Beskrivelse	Notes
1	60003129	1	CHAIN ASSEMBLY TANK	
2		1	VALVE ROD	
3	140 7509 000	1	Tank 12L Ps333/343, KompletTANK ASSY CPL	
4		1	VALVE HOUSING	
5		1	SPRING FOR VALVE HOUSING	
6		1	PIN	
7		1	SEAL WASHER	
8		1	VALVE SEAT	
9		4	SCREW, STAINLESS TCC 3,5X40 CP INOX A2	
10	145 0756 000	1	Slang	
11	145 0757 000	1	Nippel	
100	145 0765 000	1	VALVE CPL.	[1]

Part Notes:

[1] - Pos: 4, 5, 7-9

Pos.	Vare-nr	Antal	Beskrivelse	Notes
01	140 7505 000	1	Rondelholder Ps333	
02	140 7506 000	1	Børste, Nylon Ps333	
03	141 7507 000	1		
04	142 7508 000	1		
05	10001914	1	Eco Pad rød 13" Ø330 mm (5 stk.)	
06	10001915	1	Eco Pad hvid 13" Ø330 mm (5 stk.)	
07	10001911	1	Eco Pad blå 13" Ø330 mm (5 stk.)	
08	10001912	1	Eco Pad brun 13" Ø330 mm (5 stk.)	
09	140 7509 000	1	Tank 12L Ps333/343, Komplet	

