

# PARTS LIST

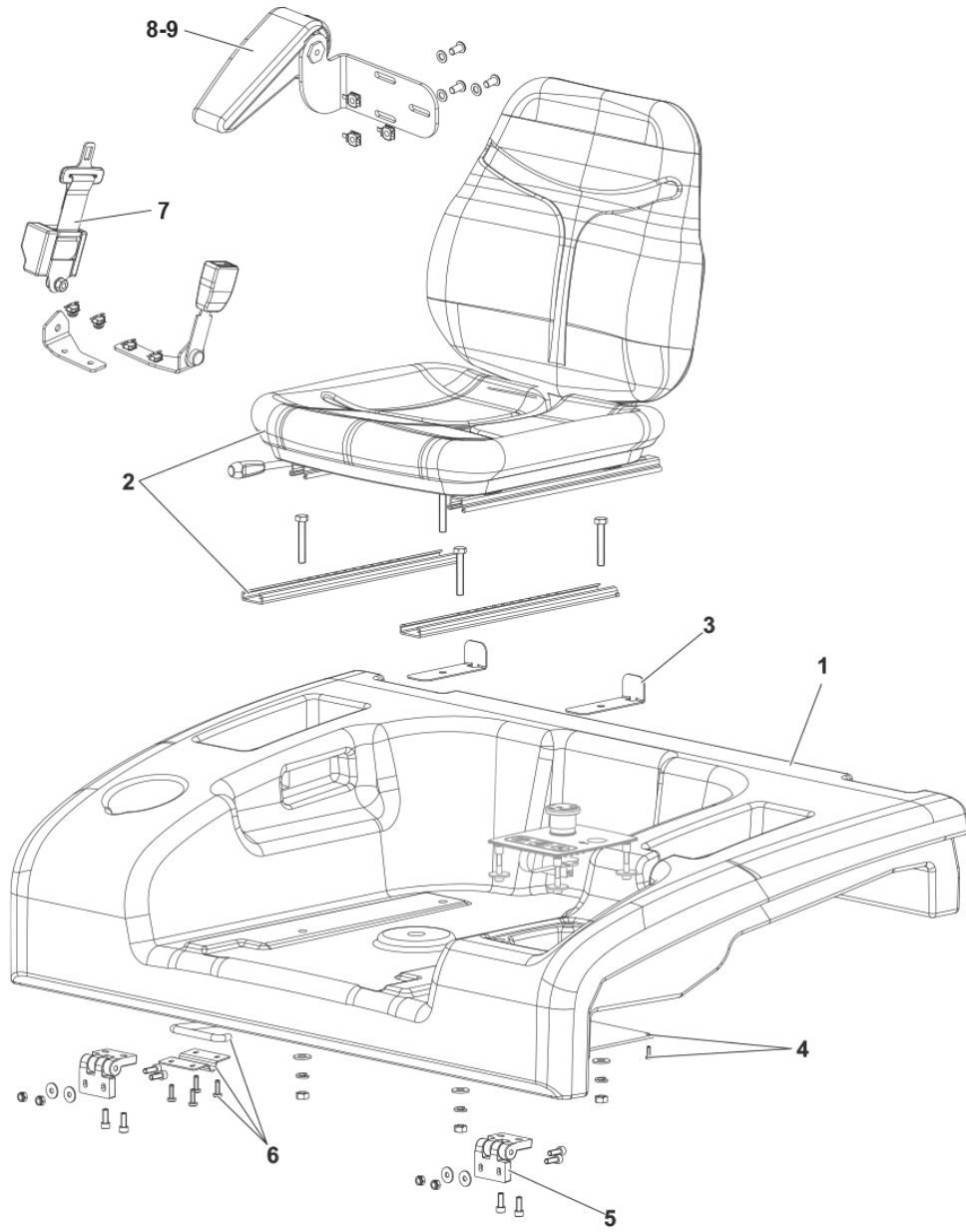


2017.08.01

# TABLE OF CONTENTS

---

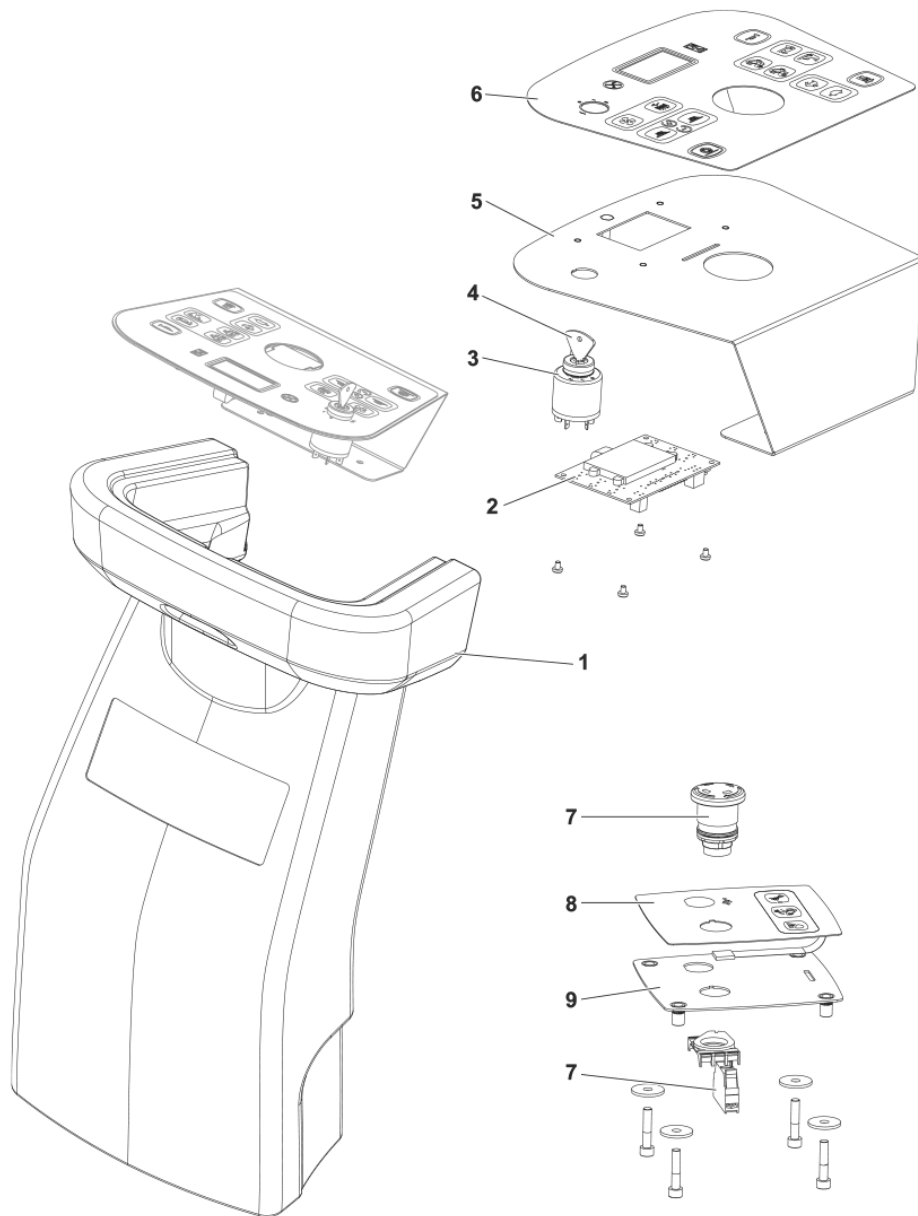
PL SUPPORT SEAT ASSY .....	1
PL COLUMN DASHBOARD ASSY .....	3
PL FOOTBOARD ASSY .....	5
PL PLATE ASSY .....	7
PL COVERS ASSY .....	9
PL HATCHES ASSY .....	11
PL STEERING MOTORWHEEL ASSY .....	13
PL ACCELERATOR PEDAL ASSY .....	15
PL BRAKE PEDAL ASSY .....	17
PL REAR WHEELS ASSY .....	19
PL FAN SUPPORT ASSY .....	21
PL ELECTRICAL COMPONENTS ASSY .....	23
PL RIGHT BROOM ASSY .....	25
PL LEFT BROOM ASSY .....	27
PL MAIN BROOM ASSY .....	29
PL MAIN BROOM ADJUSTMENT .....	31
PL LEFT ARM MAIN BROOM ASSY .....	33
PL SKIRTS ASSY .....	35
PL FRONT SKIRT ASSY .....	37
PL LIFTING HOPPER ASSY .....	39
PL MOTORWHEEL ASSY .....	41
PL LIFTING HOPPER ASSY 2 .....	43
PL CYLINDERS ASSY .....	45
PL HYDRAULIC ASSY .....	47
PL FILTER SUPPORT ASSY .....	49
PL SHAKER FILTER ASSY .....	51
PL VACUUM FAN ASSY .....	53
PL ELECTRIC SYSTEM .....	55
PL ACCESSORIES - FILTER POCKET .....	57
PL ACCESSORIES - GUARD SIDE BROOM .....	59
PL ACCESSORIES - DUSTGUARD .....	61
PL ACCESSORIES - GUARD OVERHEAD - CANOPY FOR OHG .....	63
PL ACCESSORIES - CHARGER BATT. ONBOARD - LIGHT FRONT - USB PORT .....	65
PL WIRING DIAGRAM BATTERY .....	67
PL RECOMMENDED FLOORTEC R 985 B .....	69



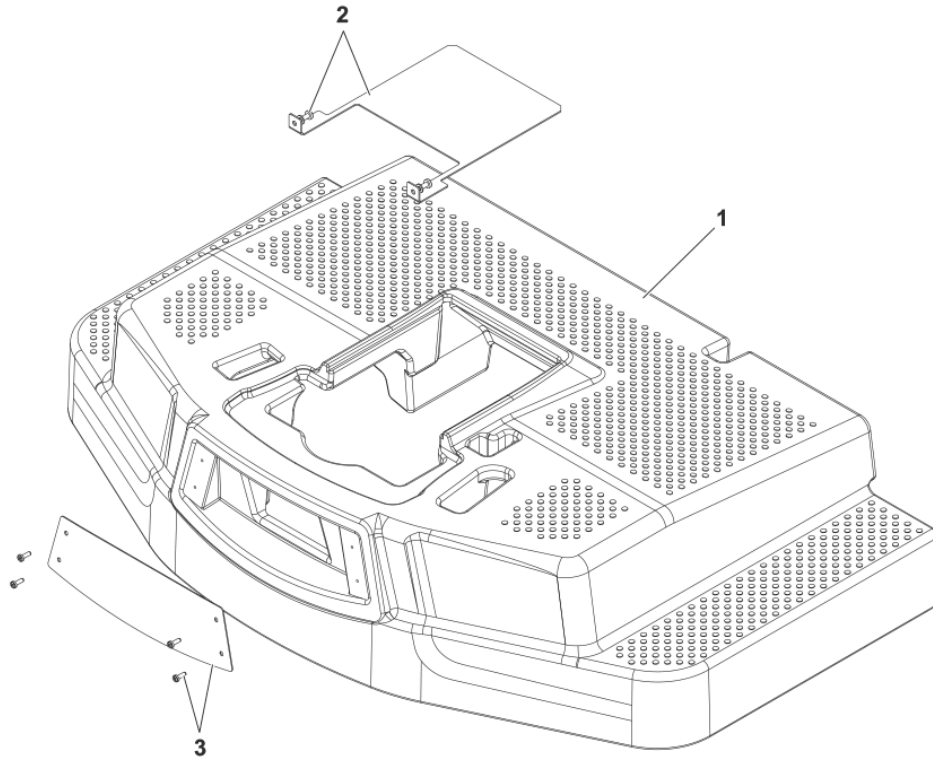
Pos.	Vare-nr	Antal	Beskrivelse	Notes
1	1466838000	1	SUPPORT PLASTIC BLUE F SEAT SIP	
2	1467028000	1	SEAT SIP	
3	1466937000	2	BRACKET MET. BLACK F SEAT BLOCK SIP	
2	1466887000	1	Affjedret sæde Kit	[1]
3	1467078000	2	BRACKET BLACK SUSPENSION SEAT BLOCK SIP	[2]
4	1466839000	1	COVER PLASTIC F SAFETY SWITCH KIT	
5	9098329000	1	Hinges Kit	
6	1465042000	1	SUPPORT F SAFETY BAR KIT	
7	1464954000	1	Sikkerhedsbælte kit	[3]
8	1464960000	1	Armlæn kit (venstre)	[4]
9	33019556	1	Armlæn kit (højre)	[5]

## Part Notes:

- [1] - OPTIONAL - INS. INSTR. 1466897000
- [2] - FOR SEAT SUSPENSION - REF 1466887000
- [3] - OPTIONAL - INST. INSTR. 1465247000
- [4] - OPTIONAL - INST. INSTR. 1465249000
- [5] - OPTIONAL



Pos.	Vare-nr	Antal	Beskrivelse	Notes
1	1466678000	1	COLUMN PLASTIC BLUE SIP	
2	1466681000	1	CONTROLLER DISPLAY SIP	
3	33020442	1	Nøgleafbryder M. Nøgle	
4	1467014000	1	KEY F STARTER SWITCH 2 PCS SET	
5	1466682000	1	PLATE MET. BLACK F MAIN DASHBOARD SIP	
6	1466680000	1	DASHBOARD CONTROL PANEL BLACK SIP	
7	1466683000	1	SWITCH EMERGENCY KIT	
8	1466686000	1	DASHBOARD SIDE CONTROL PANEL BLACK SIP	
9	1466685000	1	PLATE MET. BLACK F SIDE DASHBOARD SIP	



# PL FOOTBOARD ASSY

FLOORTEC R 985 B ALT

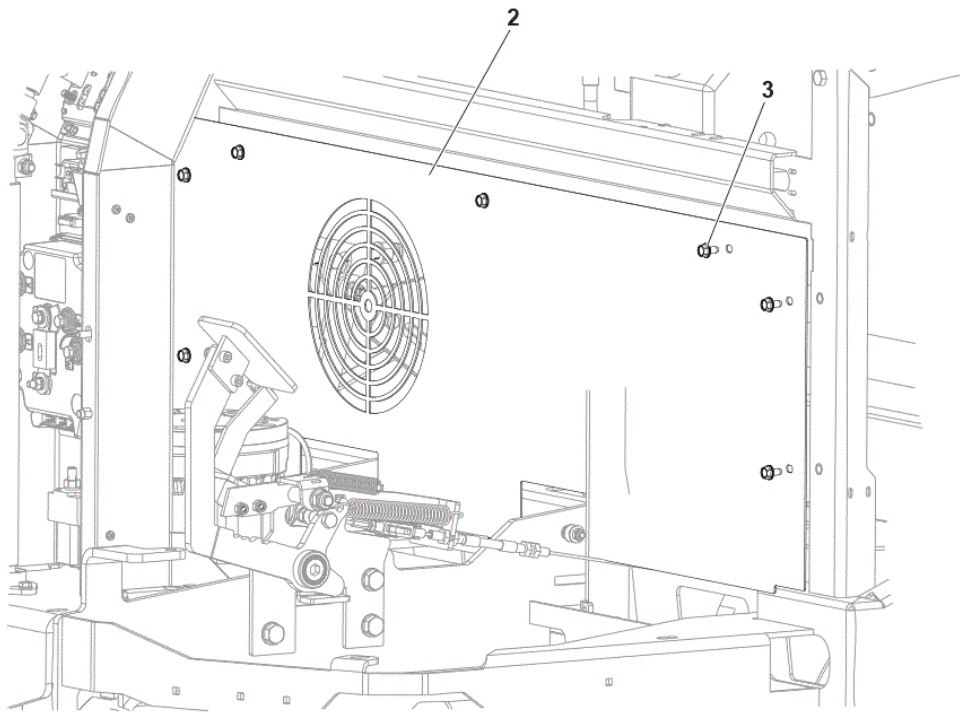
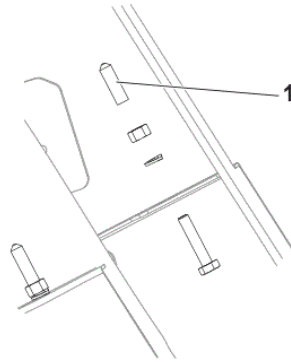
2016.03.01

2016.03.02

---

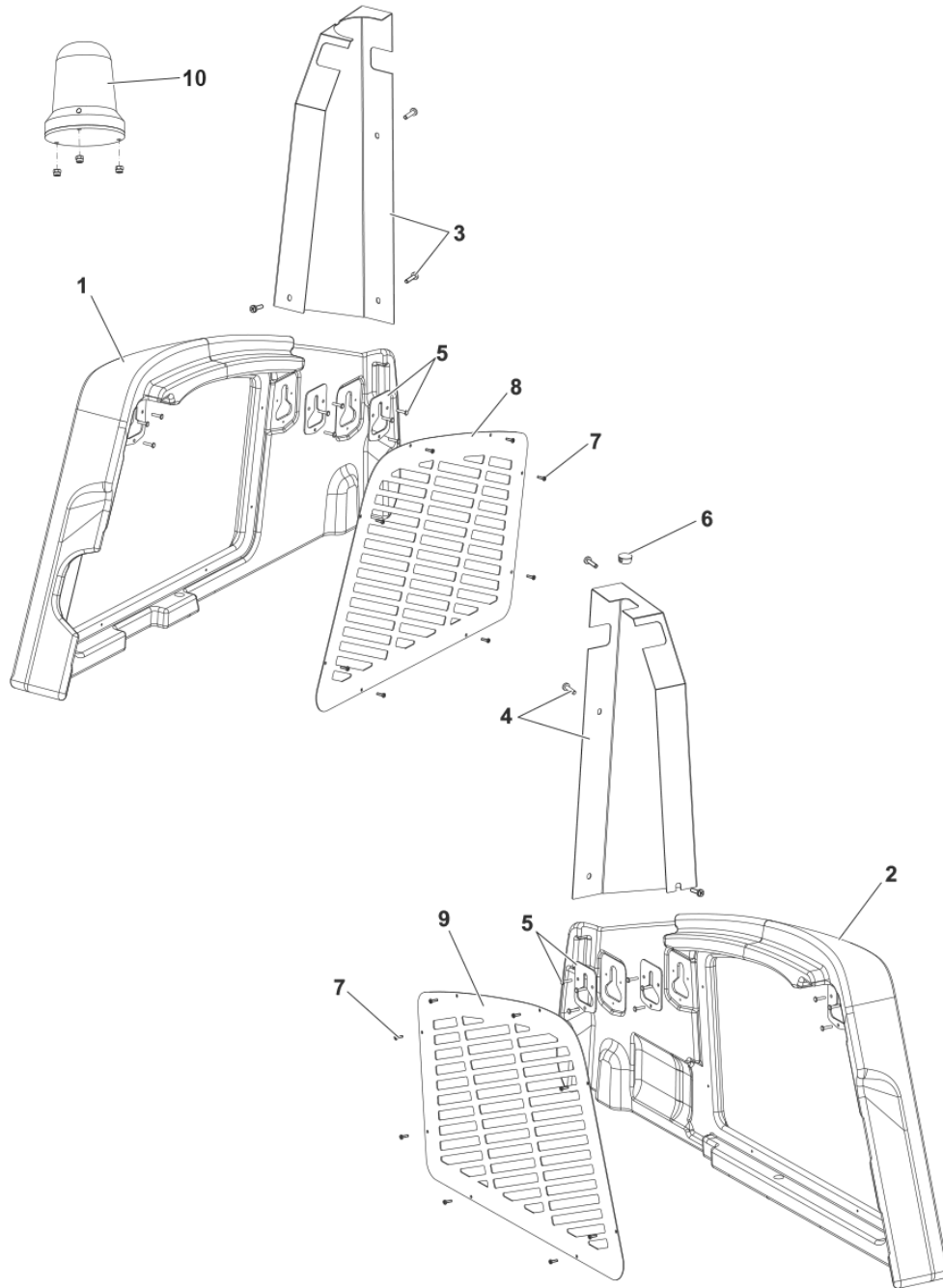
<b>Pos.</b>	<b>Vare-nr</b>	<b>Antal</b>	<b>Beskrivelse</b>	<b>Notes</b>
1	1466852000	1	FOOTBOARD PLASTIC BLACK KIT	
2	1466847000	1	PLATE MET. F FOOTBOARD INSPECTION KIT	
3	1466848000	1	PLATE MET. BLACK FRONT F FOOTBOARD KIT	





---

Pos.	Vare-nr	Antal	Beskrivelse	Notes
1	1467013000	2	CAP VINYL 3 PCS SET	
2	1466864000	1	PANEL METAL FRONT F CHASSIS BLACK KIT	
3	1467022000	4	SCREW M6X12 HEX HD DIN7500 2 PCS SET	



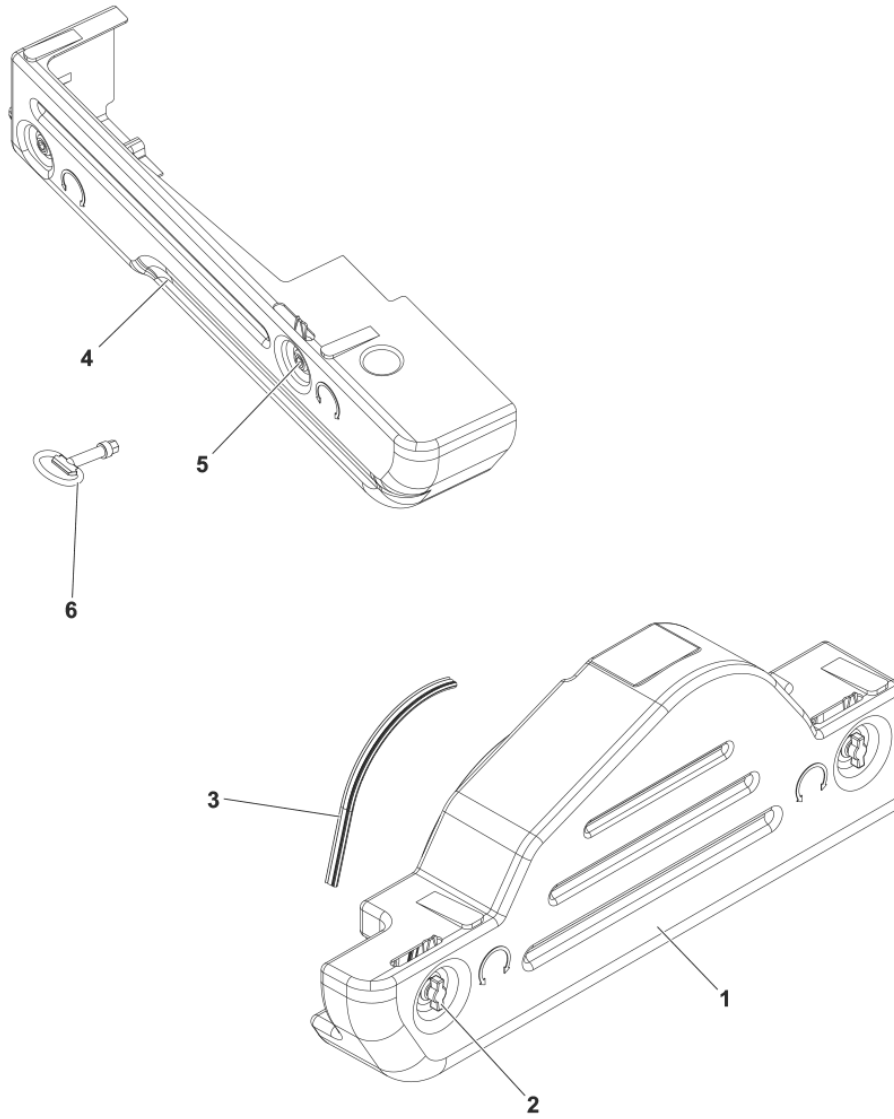
# PL COVERS ASSY

FLOORTEC R 985 B ALT

2016.03.02

2016.03.03

Pos.	Vare-nr	Antal	Beskrivelse	Notes
1	1466846000	1	COVER RT PLASTIC BLUE KIT	
2	1466845000	1	COVER LT PLASTIC BLUE KIT	
3	1466841000	1	COVER METALLIC BLACK RT SHOULDER KIT	
4	1466840000	1	COVER METALLIC BLACK LT SHOULDER KIT	
5	1466842000	6	PLATE F SIDE PANEL FIXING KIT	
6	1467027000	1	PLUG DOME PLASTIC BLACK D.22.6 SIP	
7	1467008000	2	SCREW 3.5X12 PAN PHIL W/O BIT 10 PCS SET	
8	1466794000	1	GRID SIDE MET. BLACK KIT	
9	1466794000	1	GRID SIDE MET. BLACK KIT	
10	1464948000	1	Advarselsblink kit	



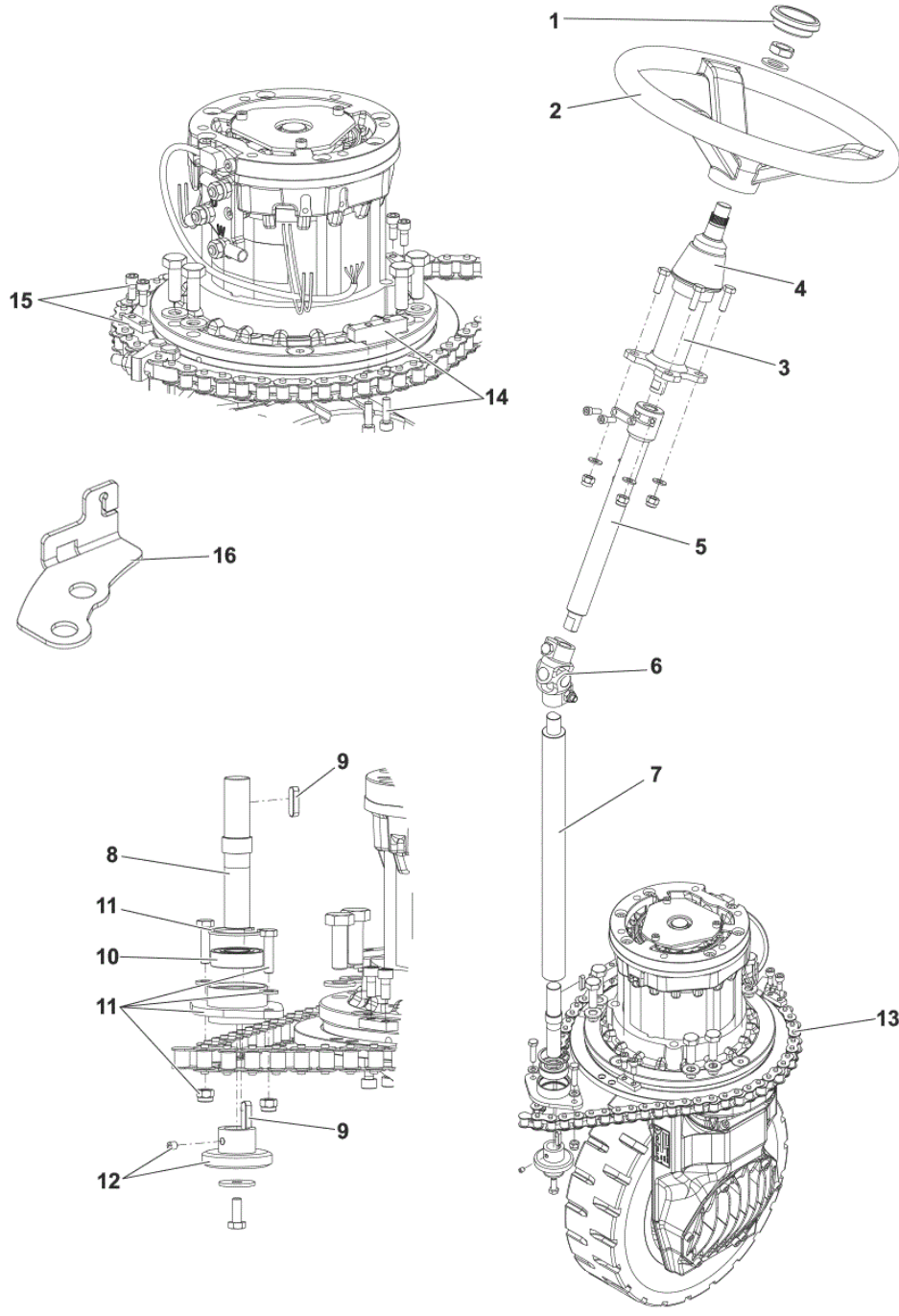
# PL HATCHES ASSY

FLOORTEC R 985 B ALT

2016.03.01

2016.03.02

<b>Pos.</b>	<b>Vare-nr</b>	<b>Antal</b>	<b>Beskrivelse</b>	<b>Notes</b>
1	1466849000	1	HATCH LOWER BLACK LT SIDE KIT	
2	1467041000	2	LOCK SIP	
3	1466850000	1	GASKET BULB RUBBER L.415MM SIP	
4	1466851000	1	HATCH LOWER BLACK RT SIDE KIT	
5	1467109000	1	LOCK WITH KEY F HATCH SIP	
6	1467057000	1	KEY HEX 10MM MALE PKD	



# PL STEERING MOTORWHEEL ASSY

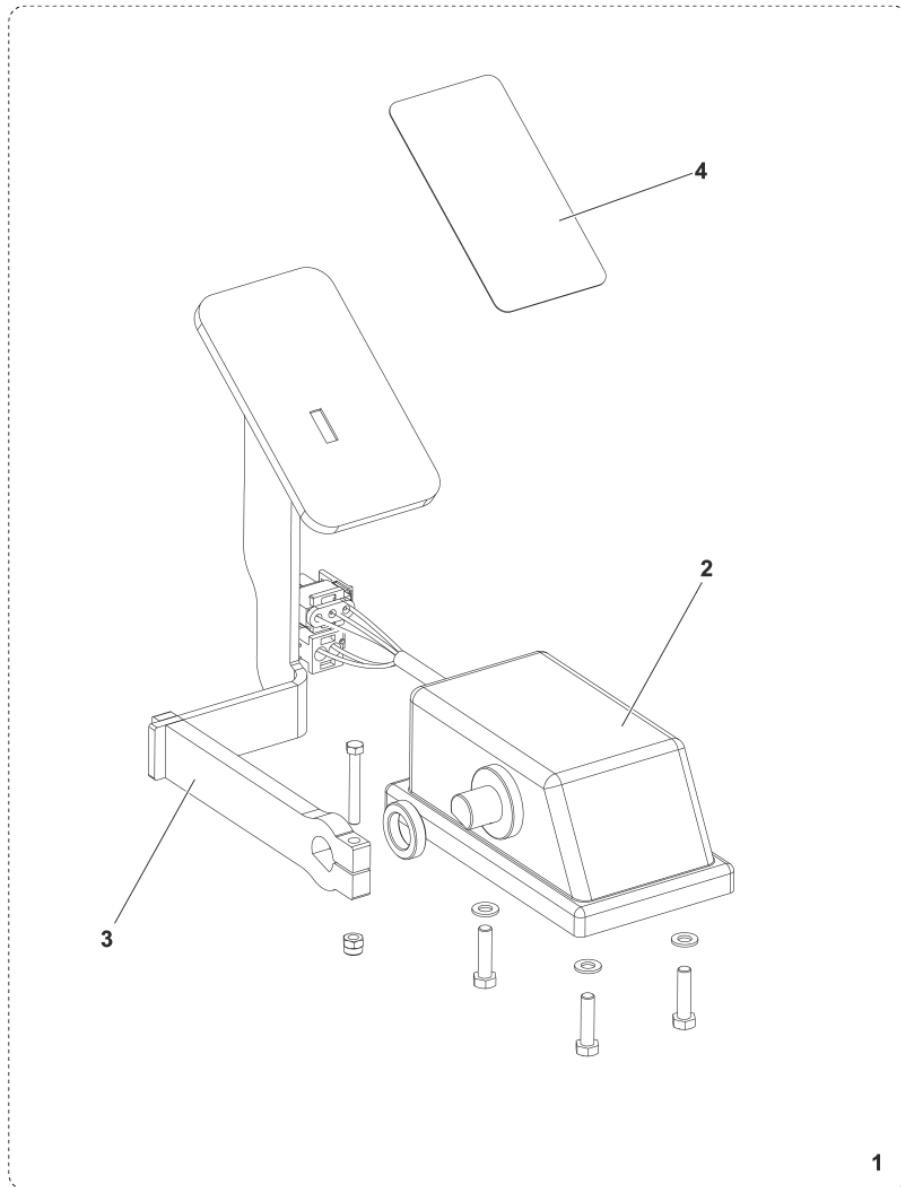
FLOORTEC R 985 B ALT

2016.12.23

2016.12.23

Pos.	Vare-nr	Antal	Beskrivelse	Notes
1	1467031000	1	CAP SIP	
2	1467048000	1	WHEEL STEERING D.362 SIP	
3	1466525000	1	COLUMN STEERING SIP	
4	1467055000	1	COVER F STEERING COLUMN SIP	
5	1466593000	1	SHAFT GALV. UPPER F STEERING KIT	
6	1466319000	1	JOINT UNIVERSAL D.17 SIP	
7	1466594000	1	SHAFT GALV. VERTICAL F STEERING SIP	
8	1466595000	1	SHAFT PHOS F STEERING SIP	
9	1466147000	2	KEY 5X5X20 UNI6604A PKD	
10	1467030000	1	BEARING BALL 6003 2RS SIP	
11	1466601000	1	HOUSING PHOS. F STEERING BEARING KIT	
12	1466599000	1	PINION Z8 5/8X3/8 MET. KIT	
13	1466600000	1	CHAIN ISO 10B-1 57 PITCHES 2 LINKS SIP	
14	1466597000	1	STOP F STEERING GALV. ON MOTORWHEEL KIT	
15	1466596000	1	STOP F STEERING GALV. ON CHASSIS KIT	
16	1467574000	1	BRACKET F ACCELERATOR PEDAL SPRING SIP	





# PL ACCELERATOR PEDAL ASSY

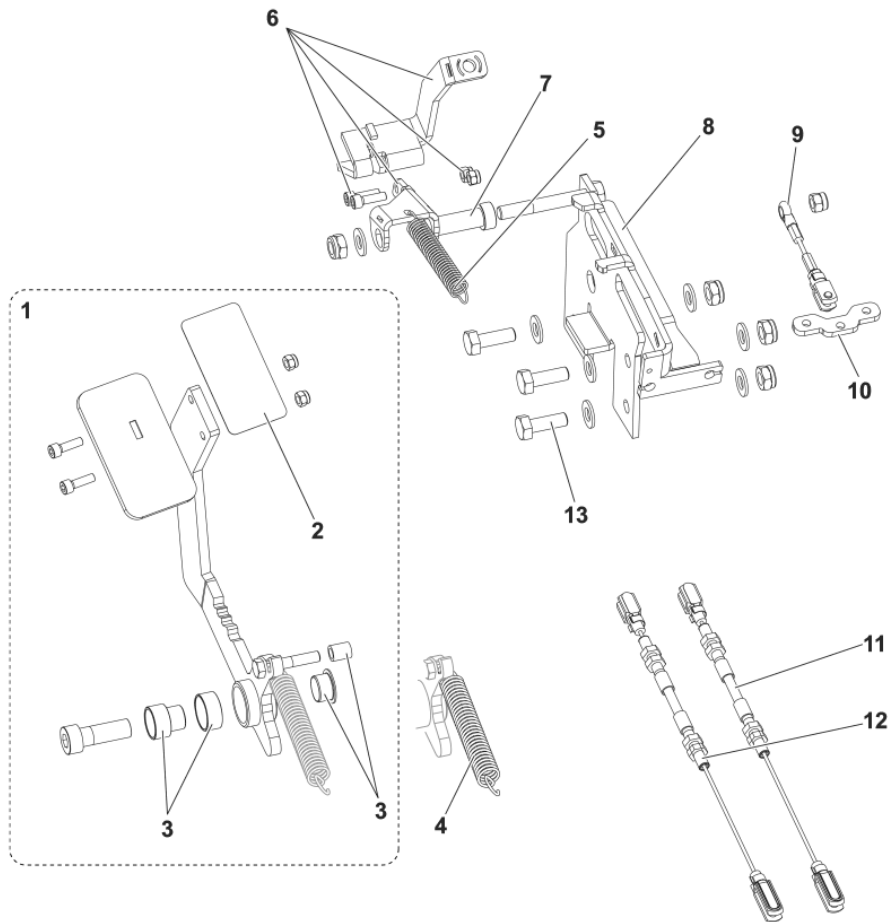
FLOORTEC R 985 B ALT

2016.03.01

2016.03.02

---

<b>Pos.</b>	<b>Vare-nr</b>	<b>Antal</b>	<b>Beskrivelse</b>	<b>Notes</b>
1	1466589000	1	PEDAL ELECTRONIC ACCELERATOR KIT	
2	1466592000	1	ACCELERATOR ELECTRONIC SIP	
3	1466590000	1	PEDAL F ACCELERATOR KIT	
4	1466591000	1	ANTI-SLIP SURFACING BLACK 50X95MM KIT	



# PL BRAKE PEDAL ASSY

FLOORTEC R 985 B ALT

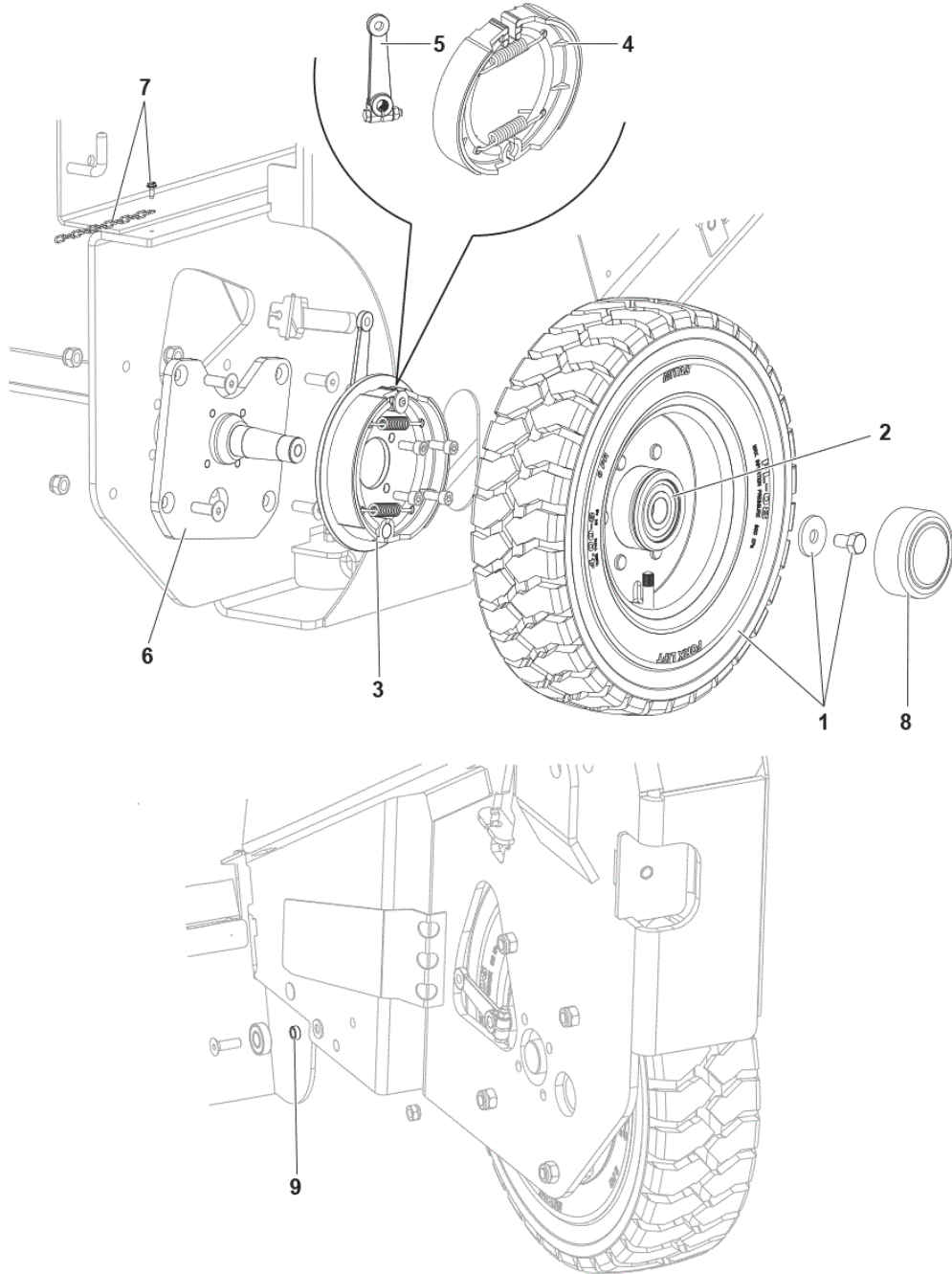
2016.03.01

2017.06.28

Pos.	Vare-nr	Antal	Beskrivelse	Notes
1	1466653000	1	PEDAL F BRAKE KIT	[1]
2	1466591000	1	ANTI-SLIP SURFACING BLACK 50X95MM KIT	
3	1466654000	1	BUSHING F BRAKE PEDAL KIT	
4	1467046000	1	SPRING BRAKE SIP	
5	1467039000	1	SPRING TRACTION CARBON STEEL SIP	
6	1466660000	1	PEDAL PARKING BRAKE KIT	
7	1466877000	1	SPACER 54X14X10.2 GALV. SIP	
8	1466659000	1	PLATE MET. BLACK F BRAKE PEDAL SUPP. SIP	
9	1467598000	1	TIE ROD PRIMARY BRAKE SIP	
10	1466657000	1	PLATE GALV. F BRAKES BALANCING SIP	
11	1466655000	1	WIRE F RT BRAKE SIP	
12	1466656000	1	WIRE F LT BRAKE SIP	
13	1466661000	1	HARDWARE F BRAKE PEDAL KIT	

**Part Notes:**

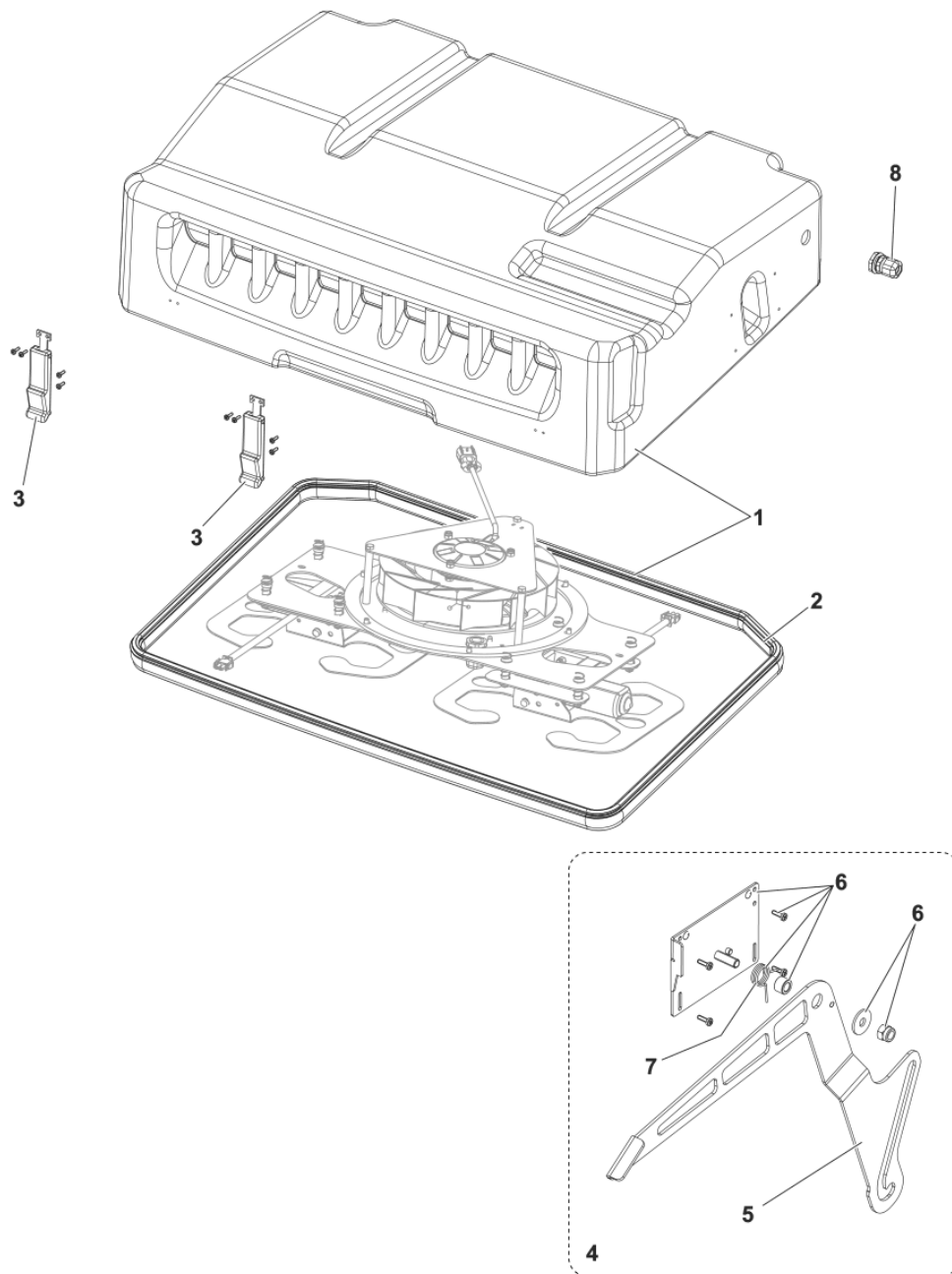
[1] - STOCK COVERS GUARANTEE



Pos.	Vare-nr	Antal	Beskrivelse	Notes
1	1466587000	2	WHEELS FOAMED 4.00-8 CPL KIT	
1	1466588000	2	Baghjul sværtedfrie 4.00-8 Kit	[1]
1	1466860000	2	Baghjul 4.00-8 Kit	[1]
2	33023318	2	BEARING AND SPACER F 5.00-8 WHEEL KIT	
3	33020205	2	DRUM BRAKE KIT	
4	1467066000	2	SHOE BRAKE SIP	
5	1467244000	2	LEVER F DRUM BRAKE SIP	
6	1467060000	2	SUPPORT FRONT WHEEL SIP	
7	1466586000	1	CHAIN GROUND L.160MM KIT	
8	1467021000	1	CAP 2 PCS SET	
9	1467026000	1	SPACER 8X12X5 SIP	

## Part Notes:

[1] - OPTIONAL



# PL FAN SUPPORT ASSY

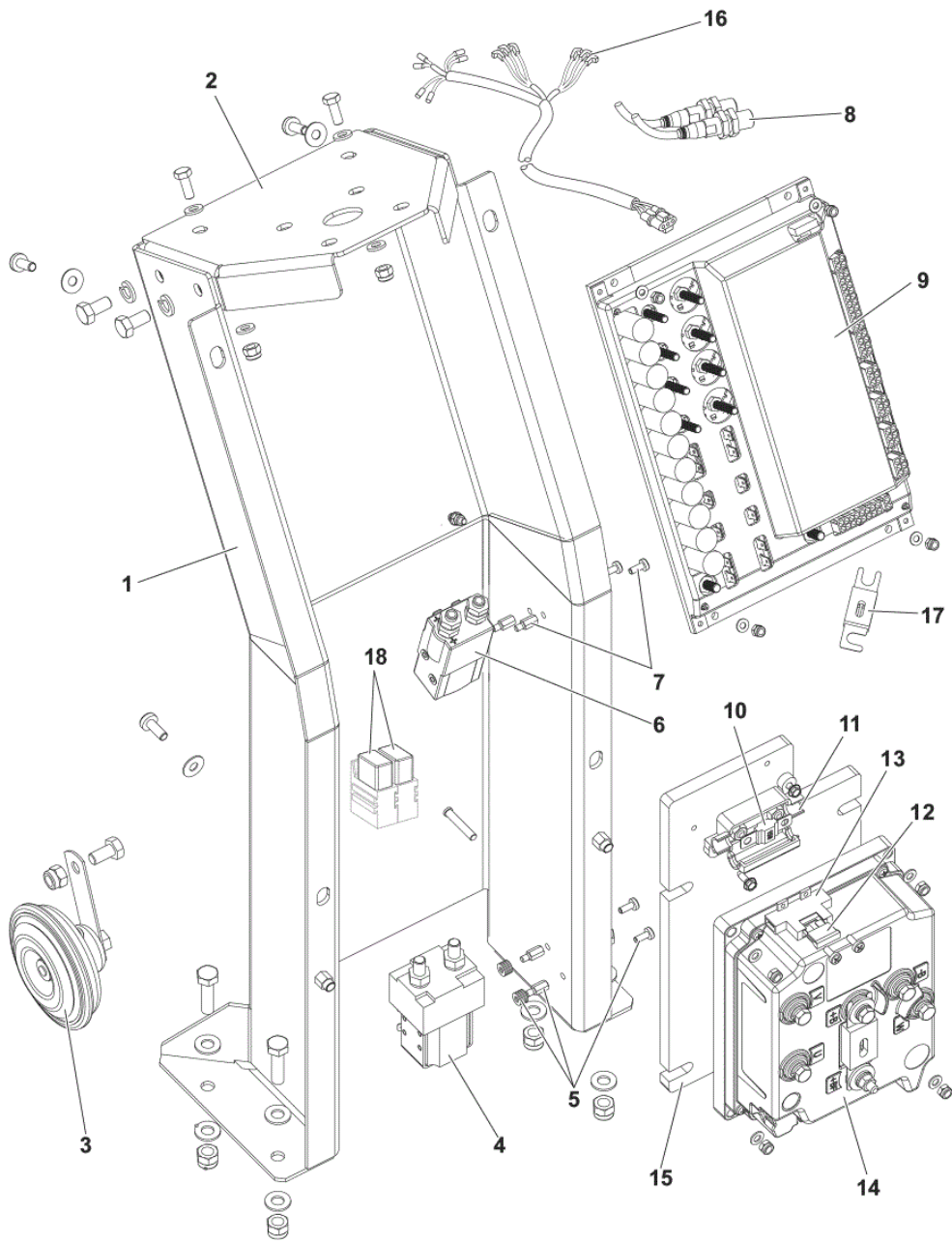
FLOORTEC R 985 B ALT

2016.03.01

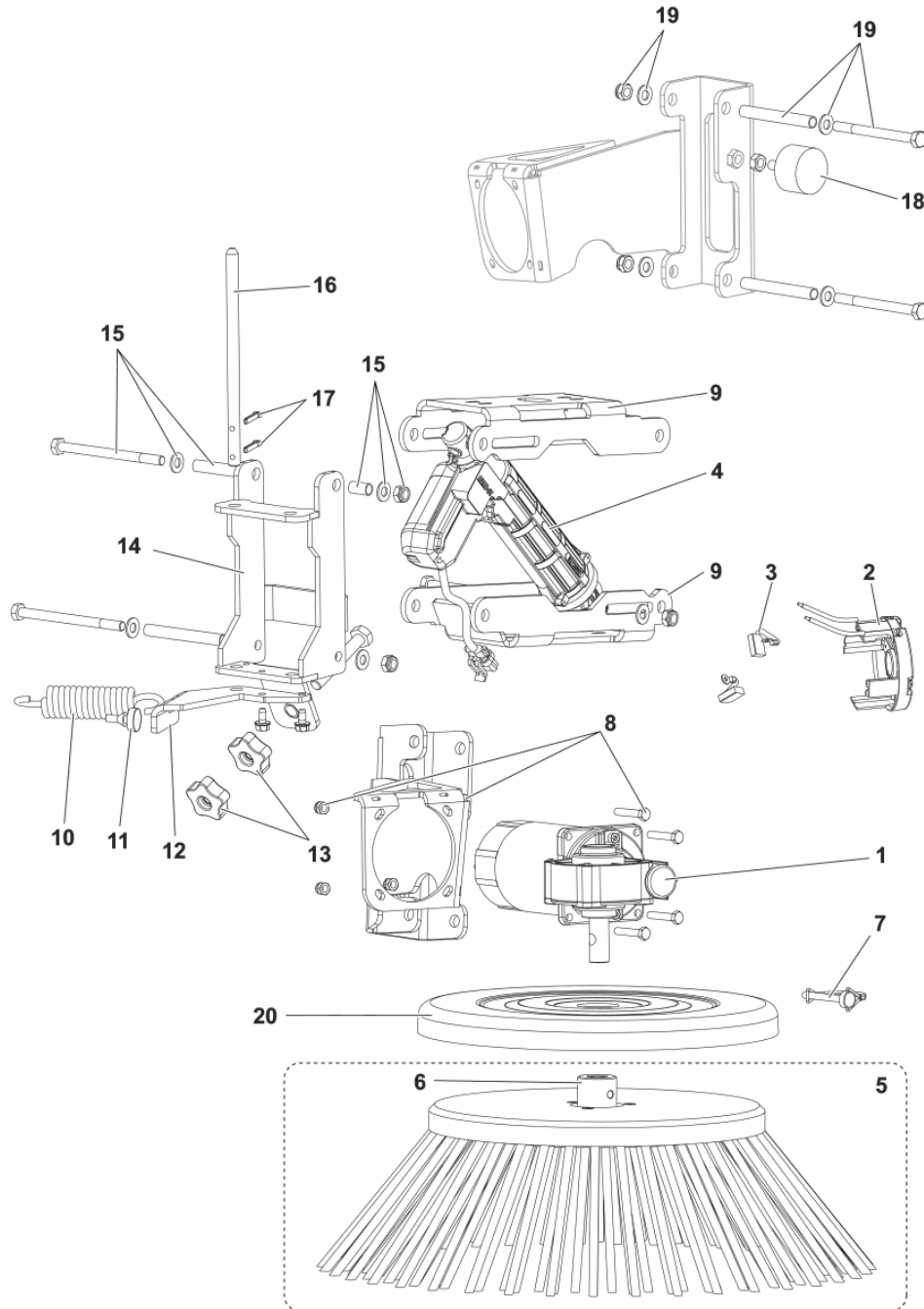
2016.03.03

<b>Pos.</b>	<b>Vare-nr</b>	<b>Antal</b>	<b>Beskrivelse</b>	<b>Notes</b>
1	1466854000	1	SUPPORT PLASTIC BLUE F FAN KIT	
2	1466855000	1	GASKET BULB RUBBER L.2390MM SIP	
3	1467042000	2	LATCH RUBBER SIP	
4	1466856000	1	LEVER F FAN HOLDER BLOCK KIT	
5	1466869000	1	LEVER GALV. F FAN HOLDER RETAINER SIP	
6	1466870000	1	PLATE GALV. F FAN HOLDER RETAINER KIT	
7	1467038000	1	PEDAL SPRING PKD	
8	9100001779	1	GLAND CABLE PLASTIC W/NUT PG13.5 SIP	





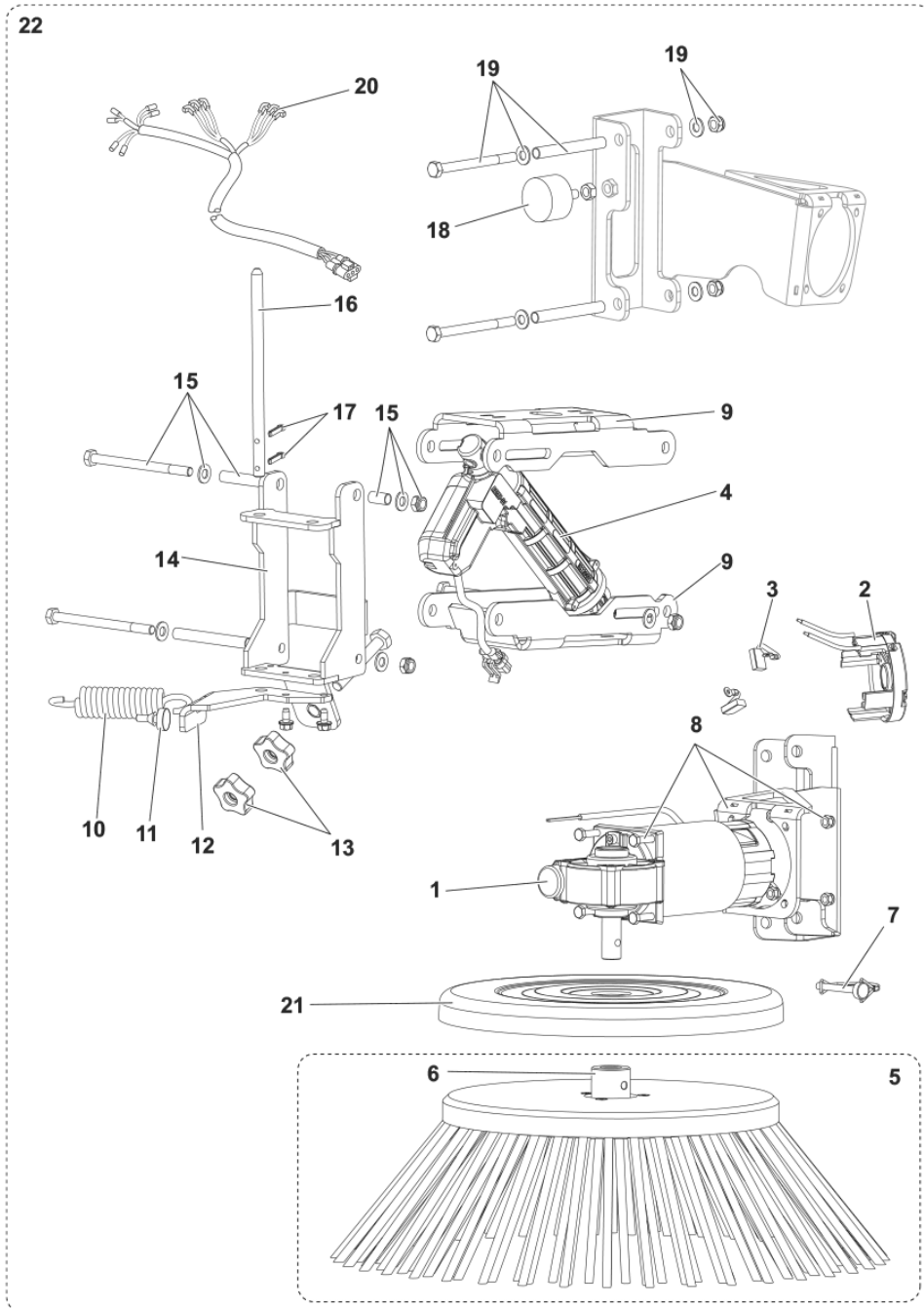
Pos.	Vare-nr	Antal	Beskrivelse	Notes
1	1466648000	1	COLUMN METALLIC BLACK F STEERING SIP	
2	1466651000	1	PLATE UPPER STEERING COLUMN MET. SIP	
3	1467032000	1	HORN 24V SIP	
4	1466644000	1	CONTACTOR 24V 200A SIP	
5	1466643000	1	HARDWARE F HIGH CONTACTOR FIXING KIT	
6	1466645000	1	CONTACTOR 24V 100A SIP	
7	1466628000	1	HARDWARE F HIGH CONTACTOR FIXING KIT	
8	1467062000	2	SWITCH BACK UP PROXIMITY SIP	
9	9100001879	1	CONTROLLER MAIN MACHINE KIT	
10	1466652000	1	FUSE BOLT DOWN 150A SIP	
11	1465073000	1	HOLDER FUSE KIT	
12	1467034000	1	FUSE BLADE 10A SIP	
13	1467035000	1	HOLDER FUSE THERMOPL.UL 94-V0 SIP	
14	1466649000	1	CONTROLLER DRIVE WHEEL 24V 240A A.C. SIP	
15	1466650000	1	PLATE TRAC. BOARD HEAT SINK ALLUM. SIP	
16	1467551000	1	HARNESSE STEERING COLUMN SIP	
17	1467241000	1	FUSE BOLT-DOWN 160A SIP	
18	146 1646 000	2	Relay 24V	



Pos.	Vare-nr	Antal	Beskrivelse	Notes
1	1466668000	1	MOTOR GEARBOX 24VDC 120W RT BROOM PKD	
2	1467215000	1	CAP F MOTOR BRUSHES SIP	
3	1467083000	1	CARBON BRUSH 2 PCS SET	
4	1466663000	1	ACTUATOR LINEAR 24V DC STRK 45MM SIP	
5	1466670000	1	Sidekost PPL 1.5 302x500 Sort	
5	1466936000	1	Sidekost stål mix 302x500	[1]
5	1467076000	1	Sidekost Mix 5 302x500	[1]
6	1466859000	1	HUB F SIDE BROOM PKD	
7	1467070000	1	PIN D.10 GALV. W/CLIP SIP	
8	1466667000	1	BRACKET MET. BLACK F RT GEARBOX SUPP KIT	
9	1466662000	2	ARM MET. BLACK F SIDE BROOM SUPP. SIP	
10	1467071000	1	SPRING EXTENTION D.E.30 WIRE D.5 SIP	
11	1467006000	1	PLUG ANTI VIBRATION D.8-D.20 10 PCS SET	
12	1466665000	1	PLATE SIDE BROOM STOP SIP	
13	1467036000	2	KNOB LOBES M10 FEMALE PKD	
14	1466671000	1	SUPPORT MET. BLACK F SIDE BROOM SIP	
15	1466675000	1	HARDWARE F SIDE BROOM SUPPORT KIT	
16	1466676000	1	PIN GALV. F SIDE BROOM SIP	
17	1467005000	1	PIN SPLIT 4X25 UNI1336 10 PCS SET	
18	1467047000	1	BUMPER M8 D.40X25MM SIP	
19	1466673000	1	HARDWARE F RT GEARBOX BRACKET SUPP. KIT	
20	1466669000	1	COVER PLASTIC SIDE BROOM PROTECT. SIP	

## Part Notes:

[1] - OPTIONAL



# PL LEFT BROOM ASSY

FLOORTEC R 985 B ALT

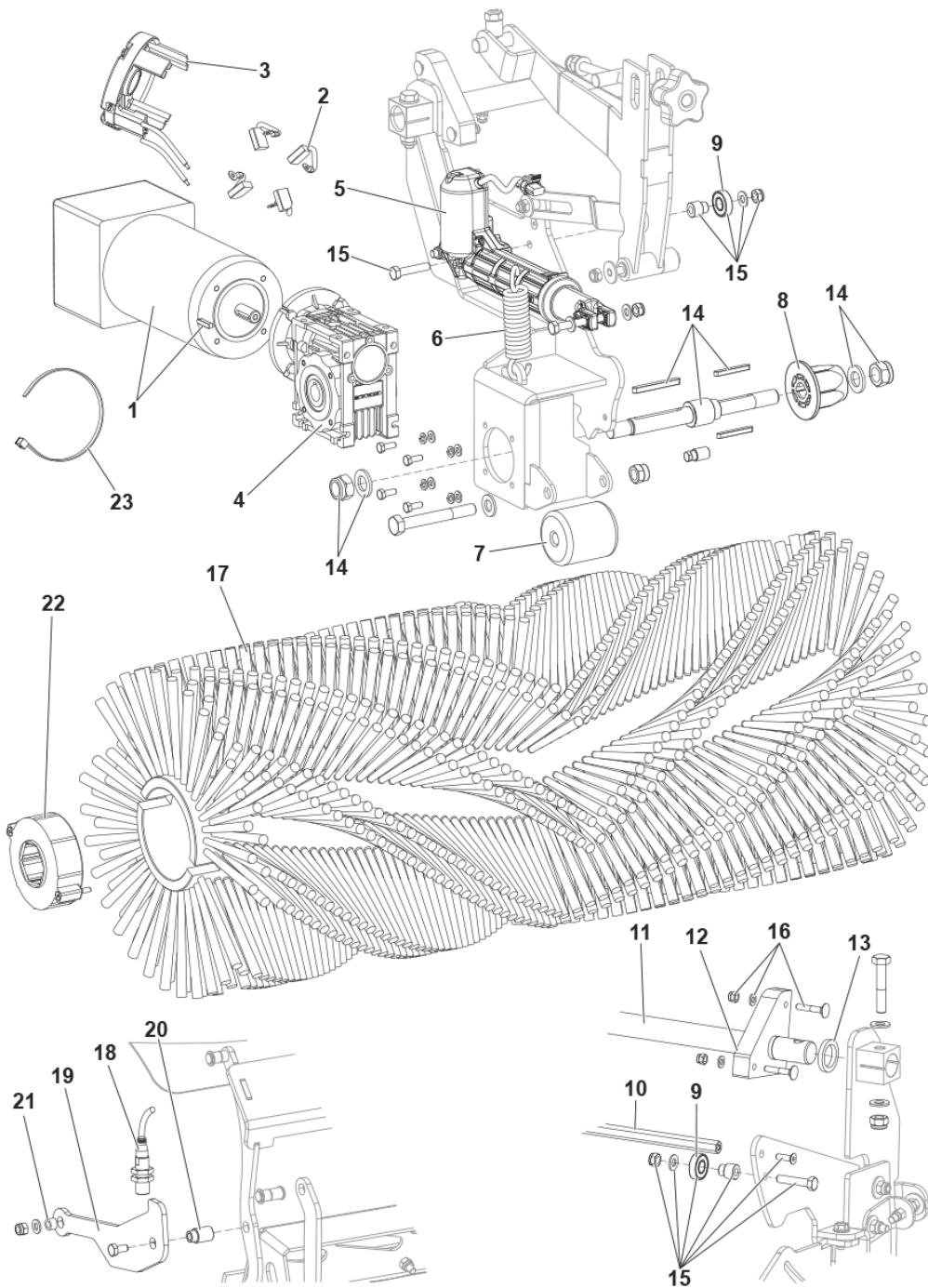
2016.03.01

2016.10.13

Pos.	Vare-nr	Antal	Beskrivelse	Notes
1	1466674000	1	MOTOR GEARBOX 24VDC 120W LT BROOM SIP	
2	1467215000	1	CAP F MOTOR BRUSHES SIP	
3	1467083000	1	CARBON BRUSH 2 PCS SET	
4	1466663000	1	ACTUATOR LINEAR 24V DC STRK 45MM SIP	
5	1466670000	1	Sidekost PPL 1.5 302x500 Sort	
5	1466936000	1	Sidekost stål mix 302x500	[1]
5	1467076000	1	Sidekost Mix 5 302x500	[1]
6	1466859000	1	HUB F SIDE BROOM PKD	
7	1467070000	1	PIN D.10 GALV. W/CLIP SIP	
8	1466666000	1	BRACKET MET. F LT GEARBOX SUPP. KIT	
9	1466662000	2	ARM MET. BLACK F SIDE BROOM SUPP. SIP	
10	1467071000	1	SPRING EXTENTION D.E.30 WIRE D.5 SIP	
11	1467006000	1	PLUG ANTI VIBRATION D.8-D.20 10 PCS SET	
12	1466665000	1	PLATE SIDE BROOM STOP SIP	
13	1467036000	2	KNOB LOBES M10 FEMALE PKD	
14	1466671000	1	SUPPORT MET. BLACK F SIDE BROOM SIP	
15	1466675000	1	HARDWARE F SIDE BROOM SUPPORT KIT	
16	1466676000	1	PIN GALV. F SIDE BROOM SIP	
17	1467005000	1	PIN SPLIT 4X25 UNI1336 10 PCS SET	
18	1467047000	1	BUMPER M8 D.40X25MM SIP	
19	1466672000	1	HARDWARE F LT GEARBOX BRACKET SUPP. KIT	
20	1467555000	1	HARNESS F LT SIDE BROOM SIP	
21	1466669000	1	COVER PLASTIC SIDE BROOM PROTECT. SIP	
22*	1466888000	1	Sidekost kit venstre PPL 1.5	[2]

## Part Notes:

- [1] - OPTIONAL
- [2] - OPTIONAL - INST. INSTR. 1466898000

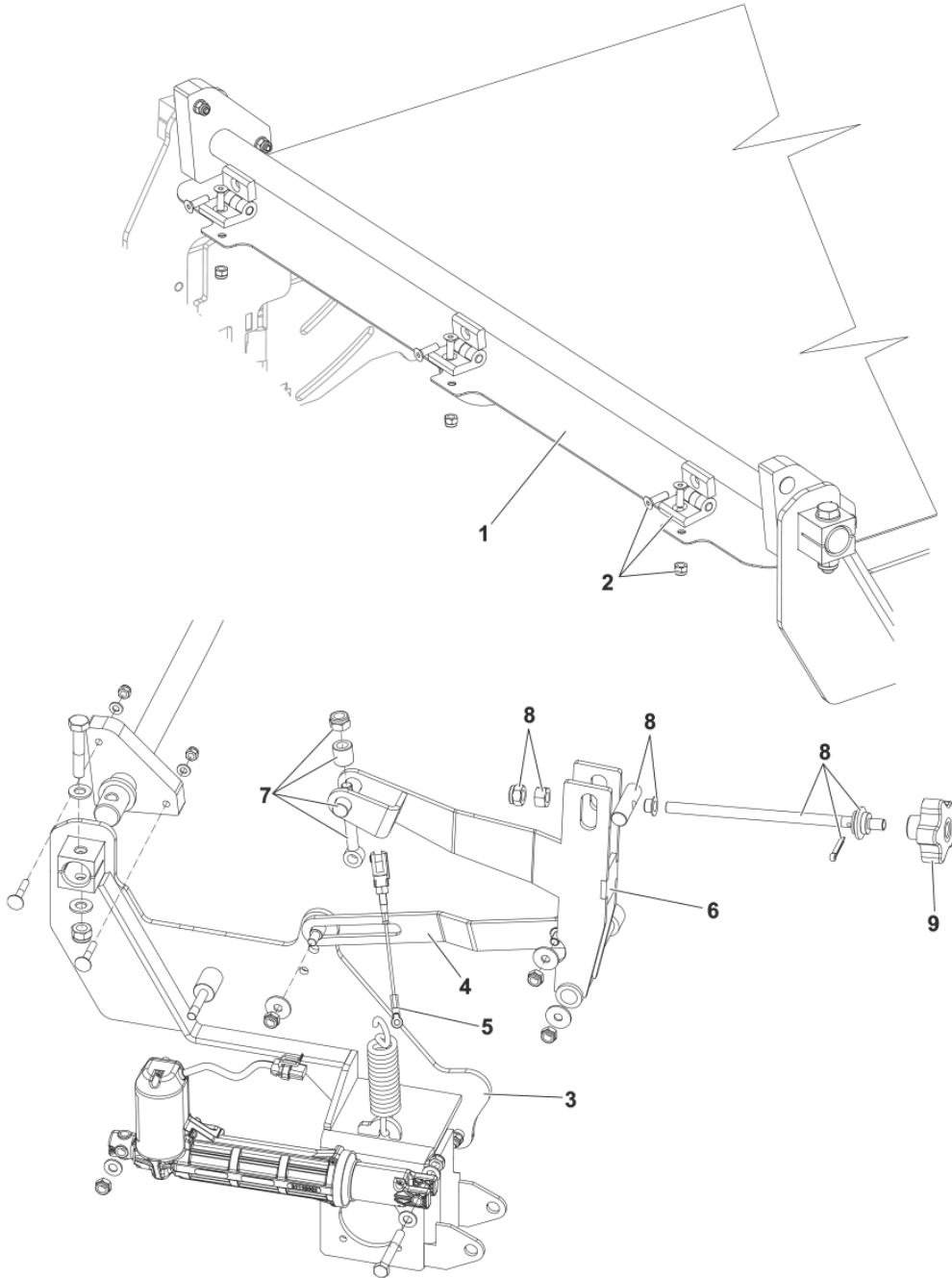


Pos.	Vare-nr	Antal	Beskrivelse	Notes
1	1466946000	1	MOTOR 24V 1250W 3800 RPM IP44 MP80L KIT	
2	L08603949	1	Kul Kit 4 Stk	
3	1467184000	1	CAP F MP80L MOTOR BRUSHES SIP	
4	1466691000	1	GEAR BOX 7.5/1 71 B14 SIP	
5	1466663000	1	ACTUATOR LINEAR 24V DC STRK 45MM SIP	
6	1467071000	1	SPRING EXTENTION D.E.30 WIRE D.5 SIP	
7	1467069000	1	ROLLER SIDE BLADE PKD	
8	1467056000	1	HUB MAIN BROOM PKD	
9	44905699	2	BEARING BALL 6001 2RS PKD	
10	1466689000	1	SHAFT HEX REINFORCE F MAIN BROOM SIP	
11	1466693000	1	SHAFT GALV. MAIN BROOM SIP	
12	1466694000	2	SUPPORT PLASTIC F MAIN BROOM SHAFT KIT	
13	1466695000	2	SPACER PLASTIC F MAIN BROOM SHAFT KIT	
14	1466690000	1	SHAFT F MAIN BROOM KIT	
15	1466688000	1	SUPPORT F MOVABLE GUIDE KIT	
16	1466692000	2	HARDWARE F MAIN BROOM SUPPORT KIT	
17	1465717000	1	Fejevalse 8R PPL 0,8 360x850 Gul	
17	1465730000	1	Fejevalse 8R Stålmix 360x850 Hvid	[1]
17	1465731000	1	Fejevalse 8R PPL 1 360x850 Sort	[1]
18	1467062000	1	SWITCH BACK UP PROXIMITY SIP	
19	1466705000	1	PLATE LINKING GALV. F FRONT SKIRT SIP	
20	1466865000	1	PIN D10/13 GALV. SIP	
21	1467037000	1	SPACER 6.1X10X6.5 SIP	
22	1467525000	1	HUB CPL F MAIN BROOM KIT	[2]
23	1467025000	1	TIE CABLE 2.9x130 BLACK 10 PCS SET	

## Part Notes:

- [1] - OPTIONAL  
 [2] - FOR ALLMAIN BROOMS:1465717000 - 1465730000 - 1465731000





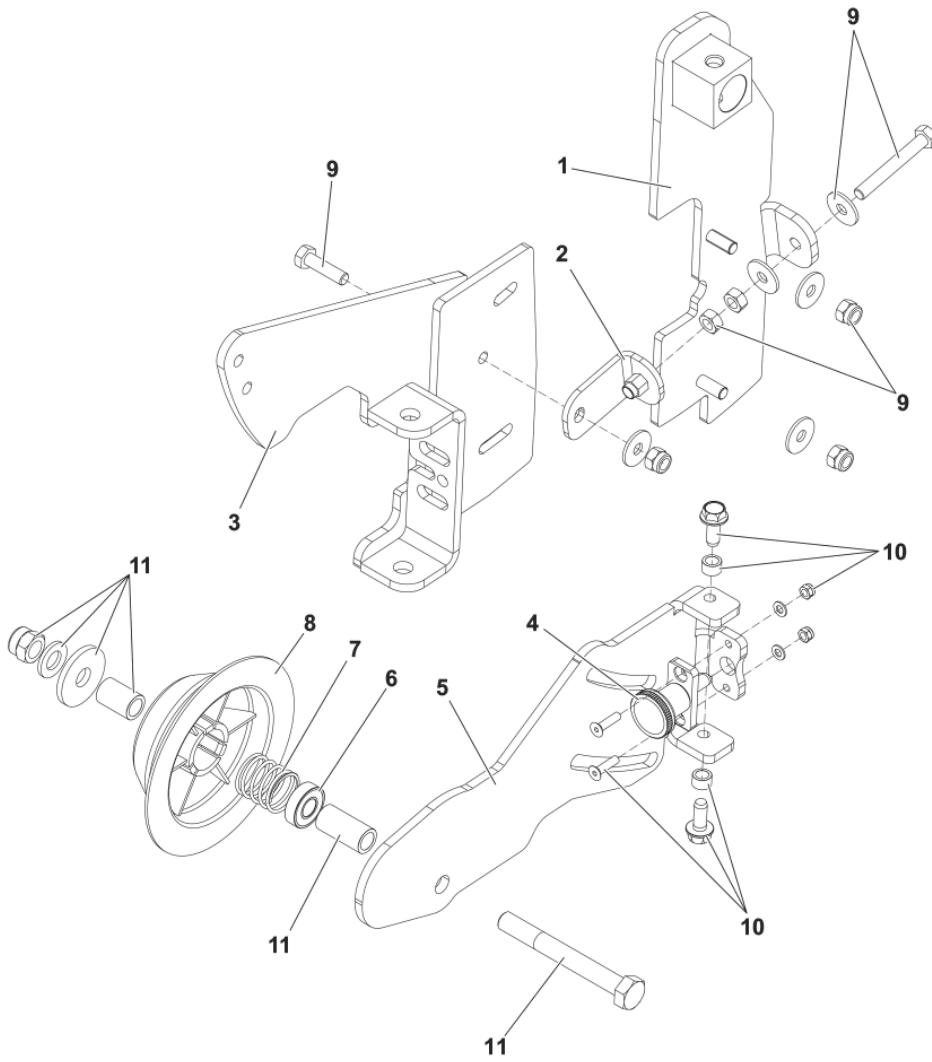
# PL MAIN BROOM ADJUSTMENT

FLOORTEC R 985 B ALT

2016.03.01

2016.10.13

Pos.	Vare-nr	Antal	Beskrivelse	Notes
1	1466699000	1	PLATE GALV. MOBILE WALL SIP	
2	1466698000	3	HINGES F MOVABLE WALL KIT	
3	1467527000	1	ARM RT GALV. F MAIN BROOM SUPPORT SIP	
4	1466704000	1	LEVER GALV. F MAIN BROOM SUPPORT SIP	
5	1466697000	1	TIE-ROD METALLIC F BROOM SPRING PKD	
6	1466702000	1	LEVER GALV. F MAIN BROOM LIFTING SIP	
7	1466696000	1	ADJUSTING F MAIN BROOM SPRING KIT	
8	1466700000	1	SCREW F MAIN BROOM SETTING KIT	
9	1466701000	1	KNOB LOBES M10 F W/ORANGE CAP SIP	



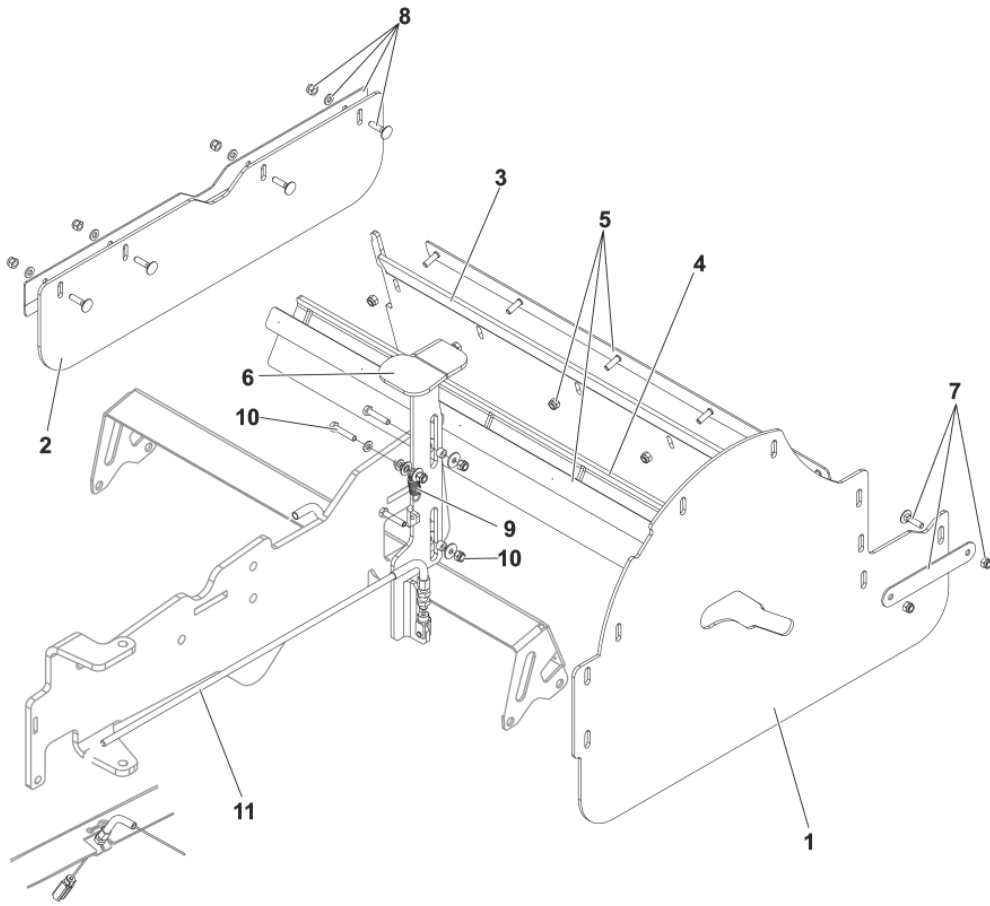
# PL LEFT ARM MAIN BROOM ASSY

FLOORTEC R 985 B ALT

2016.03.01

2016.03.02

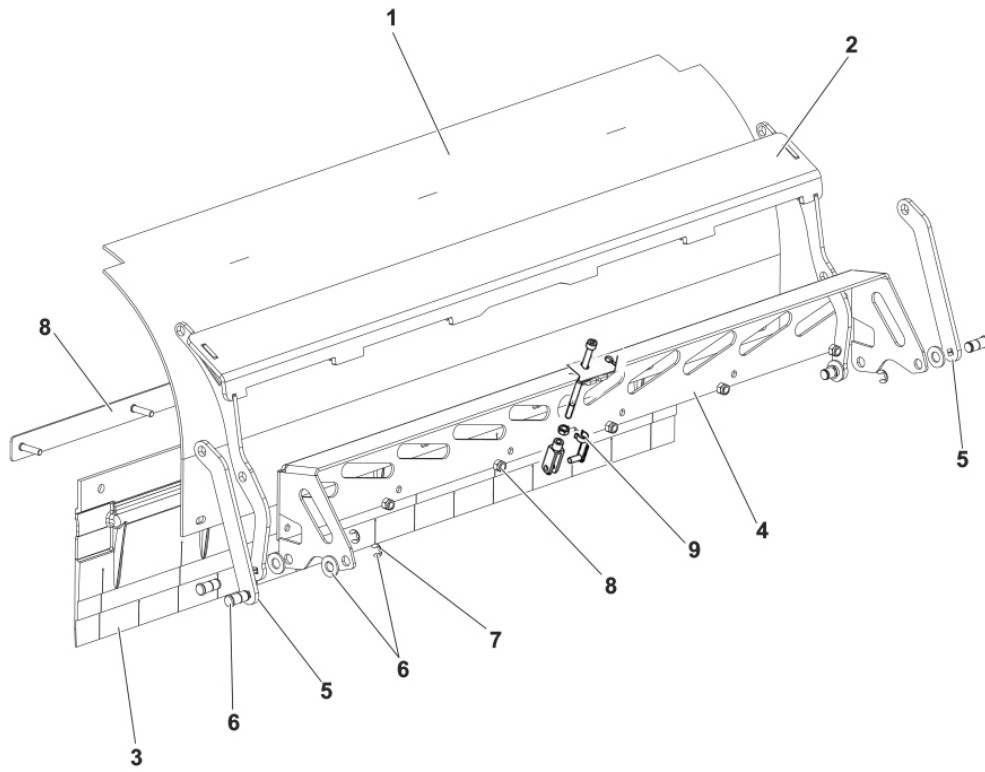
Pos.	Vare-nr	Antal	Beskrivelse	Notes
1	1466625000	1	ARM LT GALV. F MAIN BROOM FIXED SIP	
2	1466627000	1	PLATE GALV. F MAIN BROOM SETTING SIP	
3	1466626000	1	ARM LT GALV. F MAIN BROOM MOBILE SIP	
4	1466623000	1	PLUNGER INDEXING WITH FLANGE SIP	
5	1466621000	1	BRACKET GALV. F MAIN BR. INSPECTION SIP	
6	44905699	1	BEARING BALL 6001 2RS PKD	
7	1467024000	1	SPRING PKD	
8	1467023000	1	HUB LEFT MAIN BROOM PKD	
9	1466624000	1	HARDWARE F MAIN BROOM LT ARM KIT	
10	1466622000	1	HARDWARE F MAIN BR. INSPECT. BRACKET KIT	
11	1466620000	1	HARDWARE F IDLE HUB KIT	



Pos.	Vare-nr	Antal	Beskrivelse	Notes
1	1466614000	1	SKIRT LT SIDE BLACK RUBBER PKD	
2	1466619000	1	SKIRT RT SIDE BLACK RUBBER PKD	
3	1466613000	1	SKIRT REAR PRIMARY BLACK RUBBER PKD	
4	1466616000	1	SKIRT REAR RECYCLING BLACK RUBBER PKD	
5	1466617000	1	PLATE GALV. F PRIMARY REAR SKIRT KIT	
6	1466611000	1	PEDAL GALV.F FRONT SKIRT RAISING SIP	[1]
6	1467575000	1	PEDAL GALV.F FRONT SKIRT RAISING SIP	[2]
7	1466615000	1	PLATE GALV. F LT SKIRT KIT	
8	1466618000	1	PLATE GALV. F RT SIDE SKIRT KIT	
9	1467039000	1	SPRING TRACTION CARBON STEEL SIP	
10	1466610000	1	HARDWARE F FRONT SKIRT PEDAL KIT	
11	1467577000	1	WIRE F FRONT SKIRT RAISING SIP	

## Part Notes:

- [1] - Until S/N 3810172000033  
[2] - Starting from S/N 3810172000034

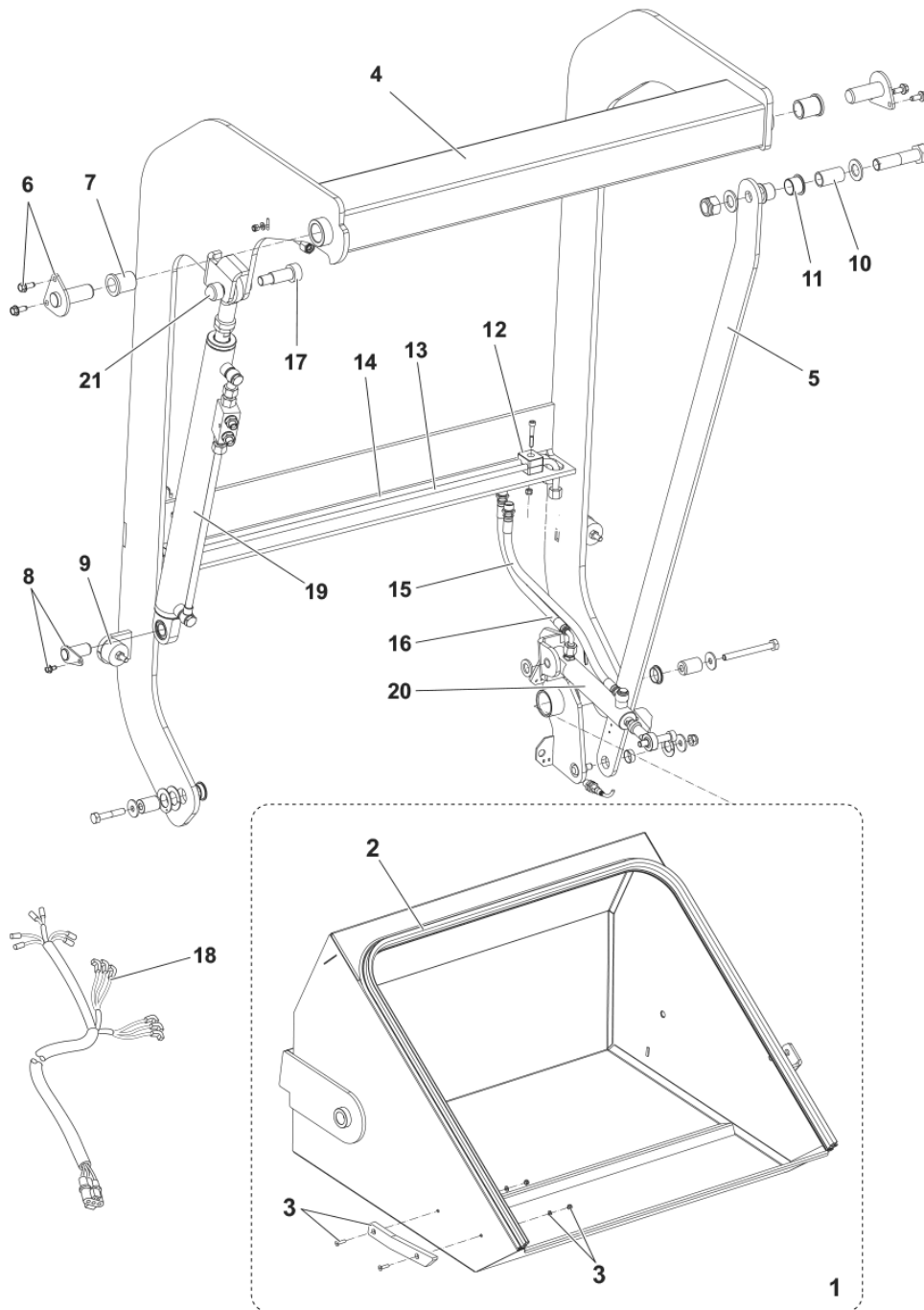


Pos.	Vare-nr	Antal	Beskrivelse	Notes
1	1466605000	1	WALL MOBILE LOWER BLACK RUBBER PKD	
2	1466609000	1	SUPPORT PRIMARY GALV. F FRONT SKIRT SIP	
3	1466606000	1	SKIRT FRONT OVERMOLDED BLACK RUBBER PKD	
4	1466603000	1	SUPPORT GALV. F FRONT SKIRT SIP	[1]
4	1467576000	1	SUPPORT GALV. F FRONT SKIRT SIP	[2]
5	1466604000	2	PLATE SECONDARY GALV. F FRONT SKIRT KIT	
6	1466607000	1	PINS D10 FRONT SKIRT SUPPORT FIXING KIT	
7	1466608000	1	SEEGER RING D.7 DIN6799 10 PCS SET	
8	1466602000	1	PLATE GALV. F FRONT SKIRT KIT	
9	1467176000	1	STOP F FRONT SKIRT KIT	

## Part Notes:

- [1] - Until S/N 3810172000033
- [2] - Starting from S/N 3810172000034





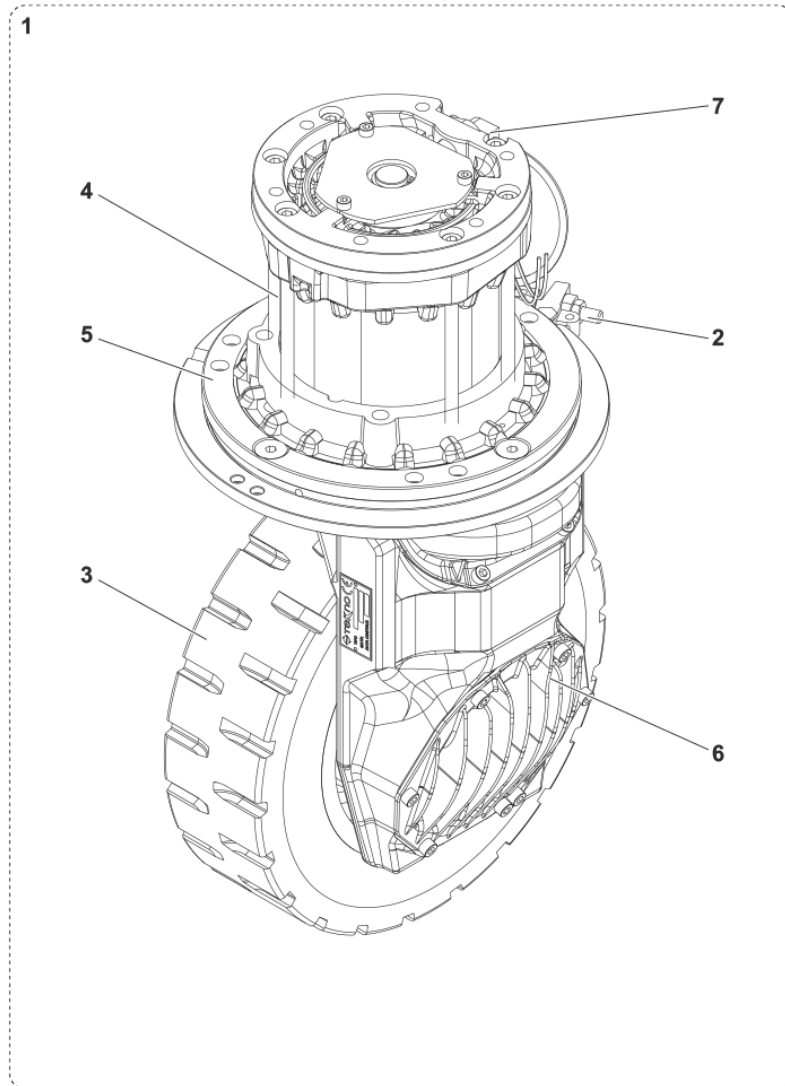
# PL LIFTING HOPPER ASSY

FLOORTEC R 985 B ALT

2016.03.01

2016.10.13

Pos.	Vare-nr	Antal	Beskrivelse	Notes
1	1466718000	1	HOPPER WASTE CPL KIT	
2	1466862000	1	GASKET DOUBLE BULB RUBBER L.2020MM SIP	
3	1466861000	1	CAM PLASTIC F HOPPER POSITIONING KIT	
4	1466715000	1	ARM PRIMARY F HOPPER LIFTING BLACK SIP	
5	1466716000	1	ARM SECONDARY MET. F HOPPER LIFTING SIP	
6	1466713000	2	PIN PIVOTING F HOPPER ARM KIT	
7	1467045000	2	BEARING FLANGE MFM-2532-40 SIP	
8	1466714000	1	PIN F LIFTING CYLINDER KIT	
9	1467047000	2	BUMPER M8 D.40X25MM SIP	
10	1466719000	1	SPACER D.20X25 H.44.5 PHOS. SIP	
11	1466720000	1	BEARING FL.IGLIDUR GFM-2528-21 2 PCS SET	
12	1466717000	3	CLAMP TWIN D.10 PLASTIC BLUE 3 PCS SET	
13	1466728000	1	HOSE SEMI RIGID D.10 HOPPER DUMPING SIP	
14	1466729000	1	HOSE SEMI RIGID D.10 HOPPER RECALL SIP	
15	1466730000	1	HOSE HYDRAULIC 1/4 R1AT L.550MM SIP	
16	1466731000	1	HOSE HYDRAULIC 1/4 R1AT L.490MM SIP	
17	1467018000	1	SCREW SHOULDER 20X40 M16 2 PCS SET	
18	1467553000	1	HARNES HOPPER SIP	
19	1466790000	1	CYLINDER HYDRAULIC 40/25/470 CPL KIT	
20	1466723000	1	CYLINDER HYDRAULIC 25/16/120 CPL KIT	
21	1466732000	1	CAP PLASTIC BLACK F M16 NUT SIP	



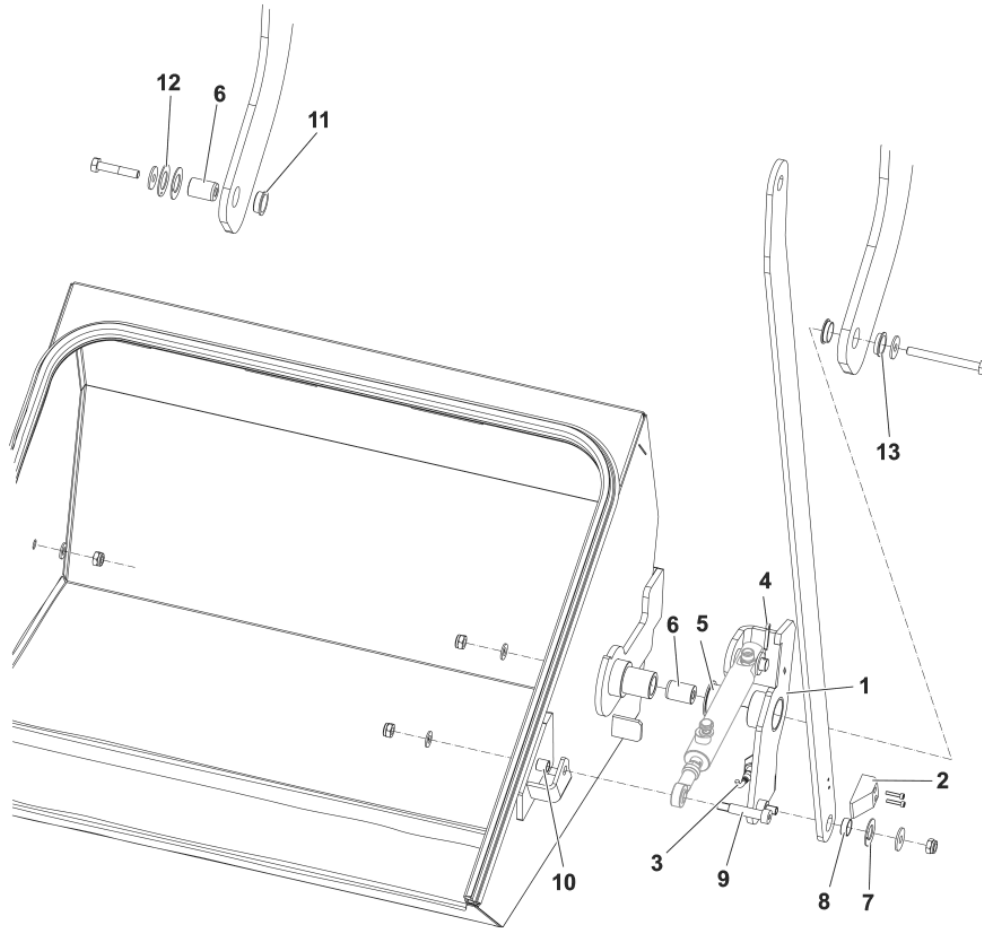
# PL MOTORWHEEL ASSY

FLOORTEC R 985 B ALT

2016.03.01

2016.04.21

Pos.	Vare-nr	Antal	Beskrivelse	Notes
1	1467191000	1	MOTORWHEEL TV-130 24V AC 1.2KW KIT	
2	1465990000	1	STRETCHER F CHAIN	
3	1466255000	1	WHEEL NON MARKING D300X85	
4	1466461000	1	MOTOR AC 24V 1.2KW	
5	1466468000	1	PLATE STEERING F MOTORWHEEL TV-130MF	
6	1466474000	1	GEAR BOX F MOTORWHEEL TV-130 1/28.4	
7	1467192000	1	SENSOR SPEED KIT	



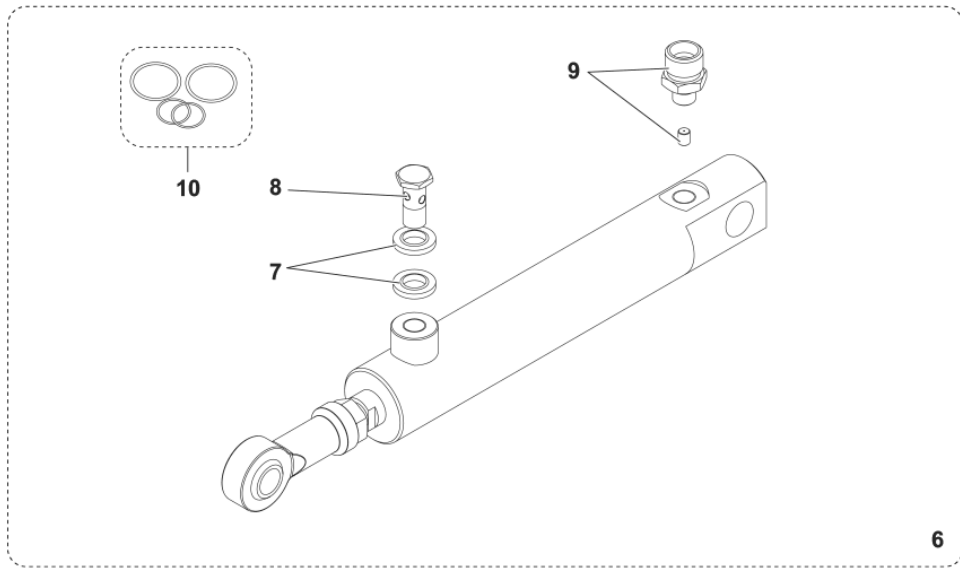
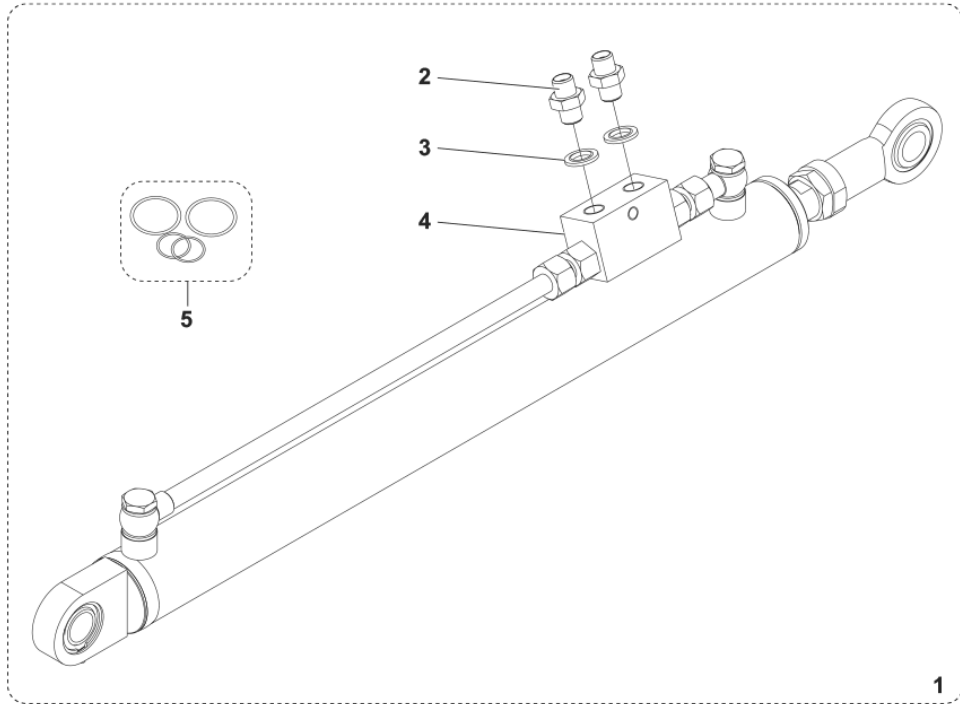
# PL LIFTING HOPPER ASSY 2

FLOORTEC R 985 B ALT

2016.03.01

2016.03.02

Pos.	Vare-nr	Antal	Beskrivelse	Notes
1	1466722000	1	BRACKET MET. F LIFTING ARMS JOINT SIP	
2	1466724000	1	BLOCK PLASTIC F LIFTING ARM GUIDE SIP	
3	1467062000	1	SWITCH BACK UP PROXIMITY SIP	
4	1467005000	1	PIN SPLIT 4X25 UNI1336 10 PCS SET	
5	1466721000	1	BEARING FLANGE IGLIDUR GFM-3539-36 SIP	
6	1467043000	1	PIN HOPPER SIP	
7	1467017000	1	WASHER THRUST GTM 2036-015 2 PCS SET	
8	1466726000	1	BEARING FLANGE IGLIDUR GSM-2022-08 SIP	
9	1467019000	1	SCREW SHOULDER 12X45 M10 2 PCS SET	
10	1466725000	1	SPACER D.12.5X15 H.14 BLACK PLAST. SIP	
11	1467044000	3	BEARING FLANGE GFM-2427-10 SIP	
12	1467016000	1	WASHER THRUST GTM 2442-015 2 PCS SET	
13	1466727000	1	BEARING FL.IGLIDUR GFM-2427-07 2 PCS SET	



# PL CYLINDERS ASSY

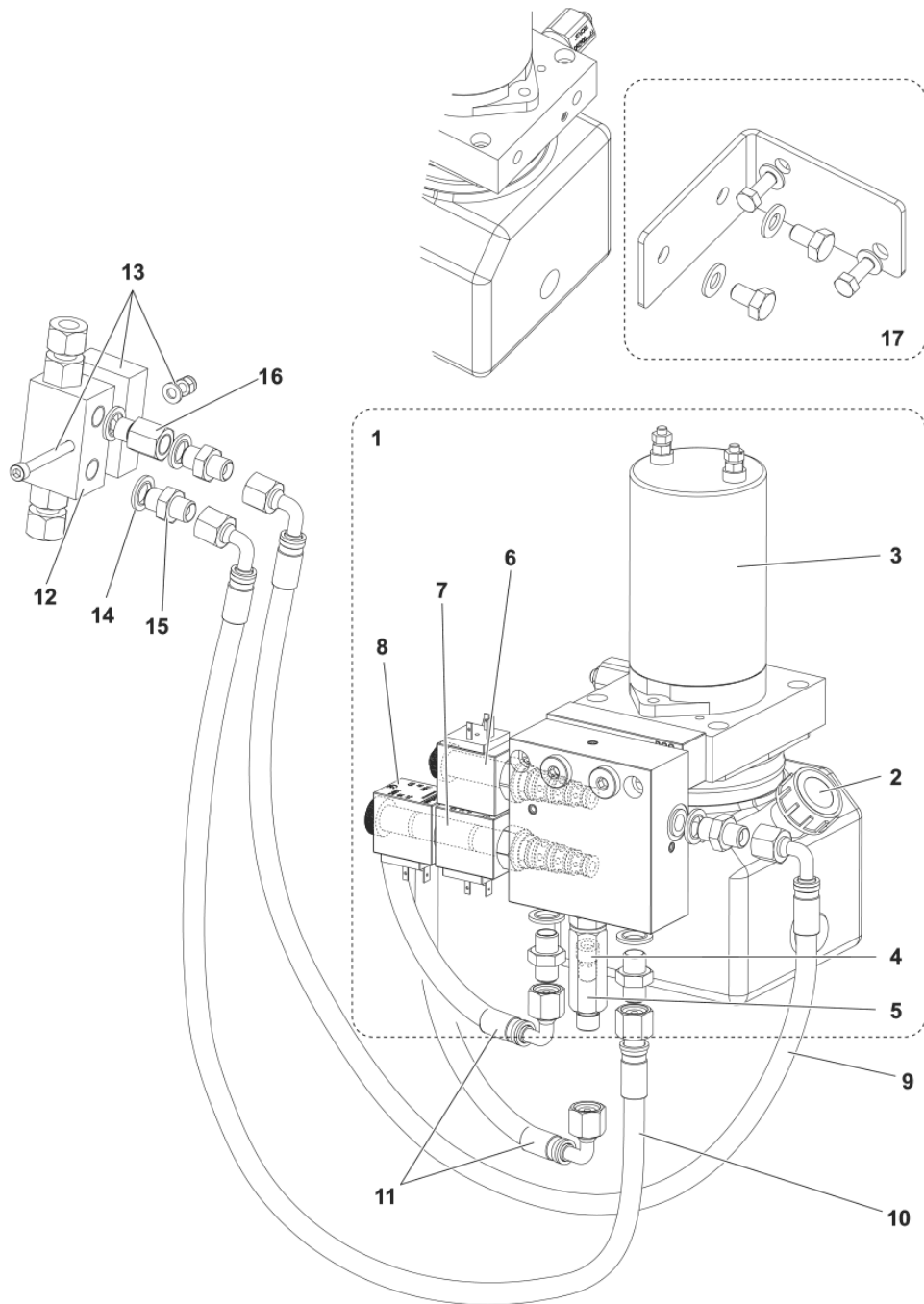
FLOORTEC R 985 B ALT

2016.03.01

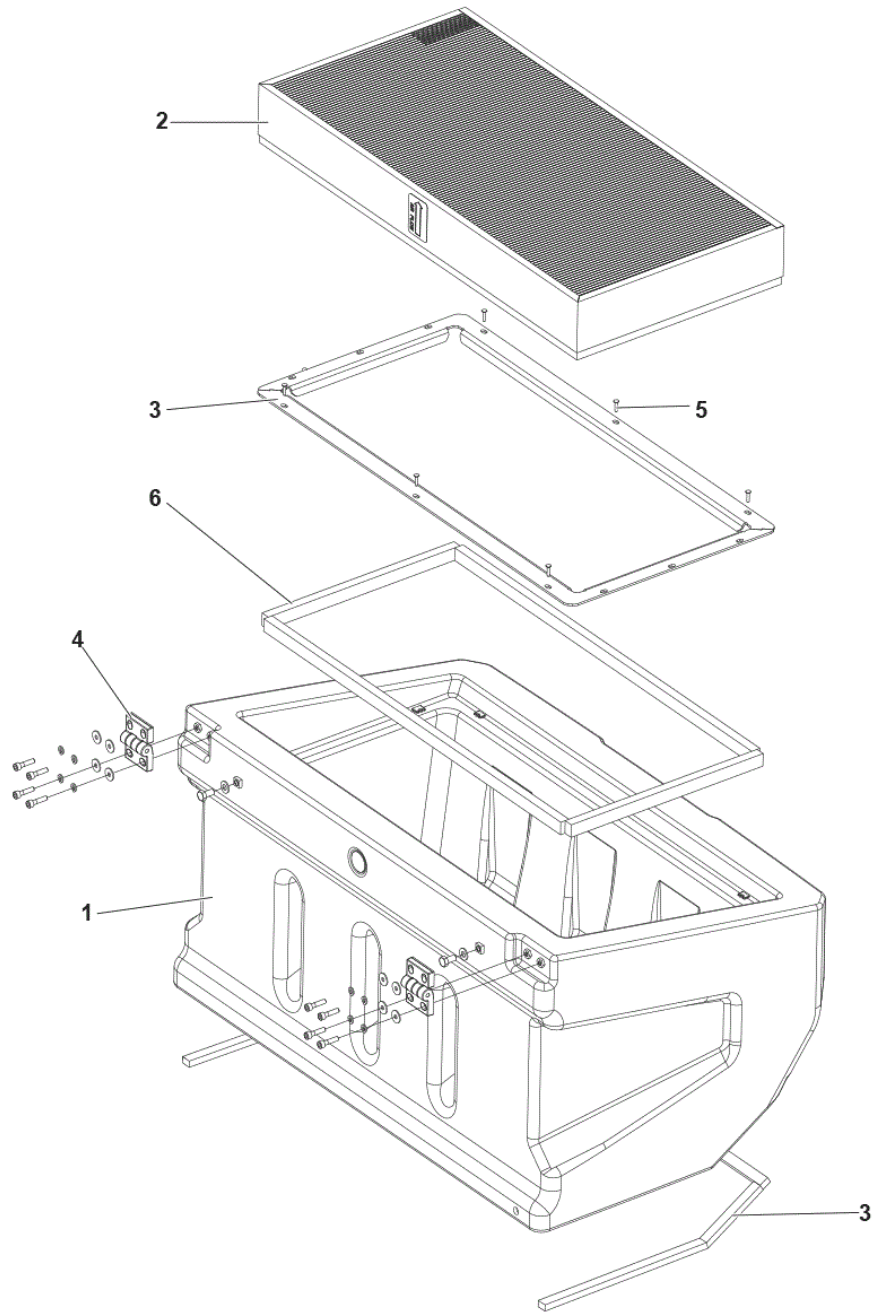
2016.03.02

Pos.	Vare-nr	Antal	Beskrivelse	Notes
1	1466790000	1	CYLINDER HYDRAULIC 40/25/470 CPL KIT	
2	1467011000	1	NIPPLE 1/4 4 PCS SET	
3	1467007000	1	SEAL BONDED 1/4 10 PCS SET	
4	1467054000	1	VALVE BLOCK SIP	
5	1466553000	1	SEAL HYDRAULIC CYLINDER 40/25/470 KIT	
6	1466723000	1	CYLINDER HYDRAULIC 25/16/120 CPL KIT	
7	1467004000	1	SEAL BONDED 1/8 10 PCS SET	
8	1467015000	1	BANJO BOLT 1/8 G 2 PCS SET	
9	1466791000	1	FITTING 1/8 GAS WITH CAIBRATED DOWEL KIT	
10	1466552000	1	SEAL HYDRAULIC CYLINDER 25/16/120 KIT	





Pos.	Vare-nr	Antal	Beskrivelse	Notes
1	1466712000	1	GEARCASE HYDRAULIC 24V 800W 1CC SIP	
2	1467213000	1	CAP PRESSURE D19 SIP	
3	1467242000	1	MOTOR ELECTRIC 24V 800W SIP	
4	1467209000	1	VALVE FLOW CONTROL 5L/MIN 1/4 GAS SIP	
5	1467243000	1	STUD BOLT M/F 1/4 BSP ES. 19 SIP	
6	1467211000	1	CARTRIDGE SOLENOID VALVE 4/2 SIP	
7	1467212000	1	CARTRIDGE SOLENOID VALVE 4/3 SIP	
8	1467210000	3	SOLENOID 24V 18W N-H13 SIP	
9	1466709000	1	HOSE HYDRAULIC 1/4 R1AT L.780MM SIP	
10	1466710000	1	HOSE HYDRAULIC 1/4 R1AT L.680MM SIP	
11	1466711000	2	HOSE HYDRAULIC 1/4 R1AT L.600MM SIP	
12	1467054000	1	VALVE BLOCK SIP	
13	1466707000	1	SPACER F VALVE PLASTIC BLACK KIT	
14	1467007000	1	SEAL BONDED 1/4 10 PCS SET	
15	1467011000	1	NIPPLE 1/4 4 PCS SET	
16	1467679000	1	ADAPTER M/F STRAIGHT 1/4 L.21MM HX19 SIP	
17	1466708000	1	BRACKET MET. F HYDRAULIC GEARCASE KIT	



# PL FILTER SUPPORT ASSY

FLOORTEC R 985 B ALT

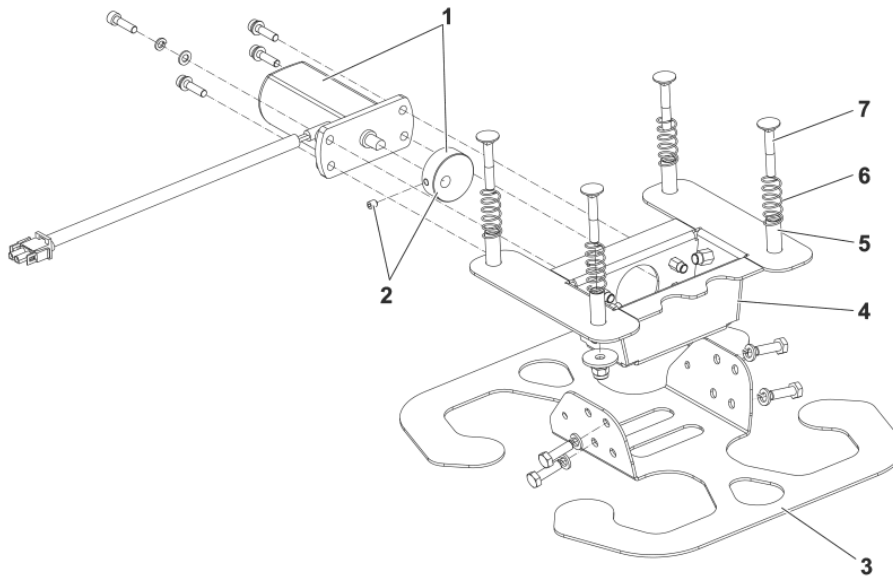
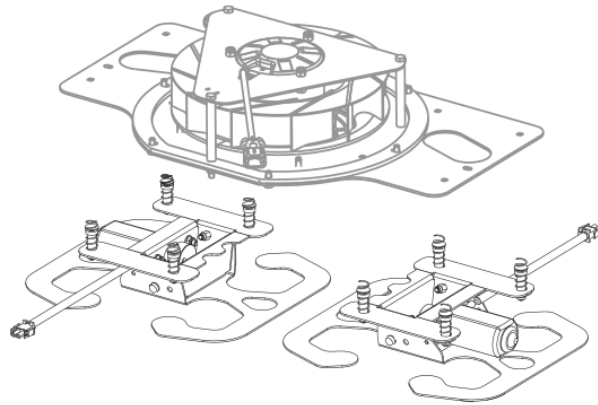
2017.07.03

2017.07.03

Pos.	Vare-nr	Antal	Beskrivelse	Notes
1	1466835000	1	SUPPORT PLASTIC BLACK F VAC FILTER KIT	
1	1466834000	1	TANK SUPPORT PLASTIC F VAC FILTER KIT	[1]
2	1467174000	1	Panelfilter Papir Ultra Web Blå	
2	1467173000	1	Panelfilter Polyester Ultra Web Blå	[2]
3	1466836000	1	SUPPORT PLAIN GALV. F FILTER KIT	
4	9098329000	1	Hinges Kit	
5	1466908000	1	SCREW 3.5X16 C/SUNK PHIL F PC 10 PCS SET	
6	1467077000	1	GASKETS ADHESIVE 22X20 KIT	

## Part Notes:

- [1] - ONLY FOR MODELS WITH THE DUSTGUARD KIT
- [2] - OPTIONAL



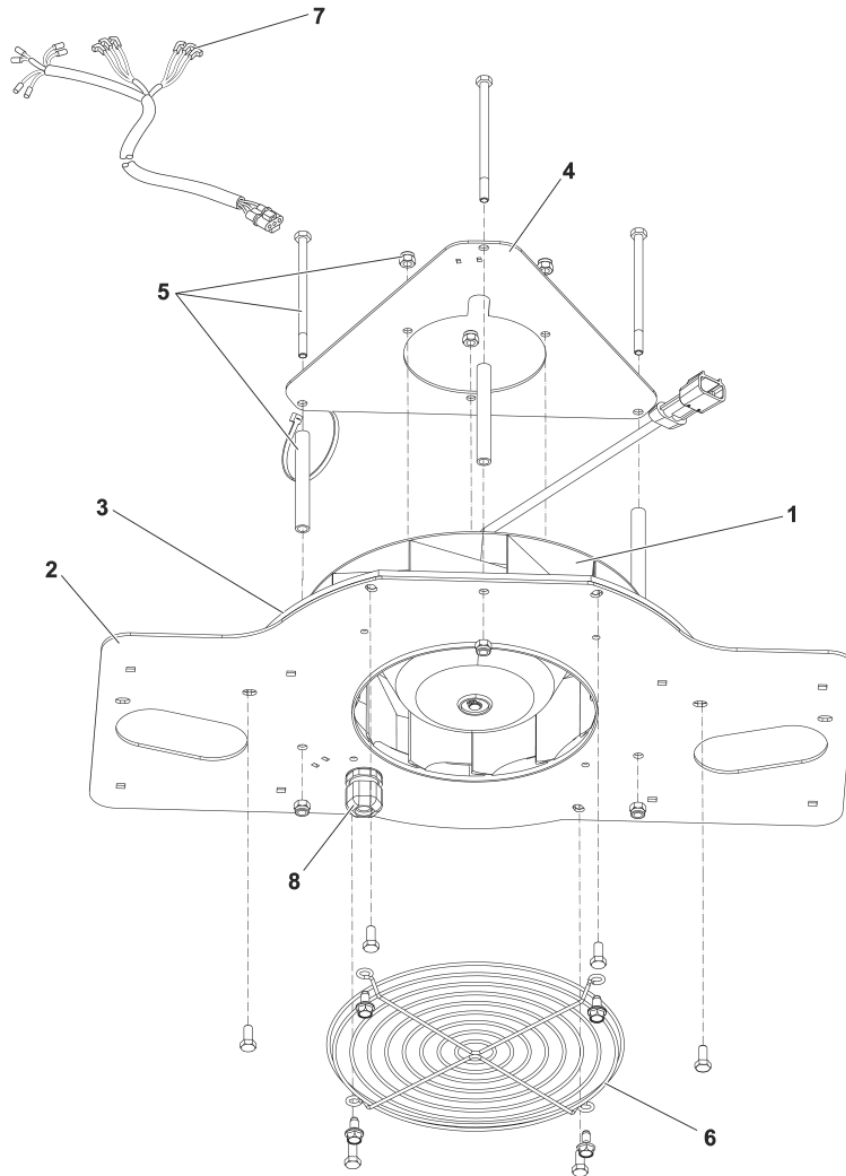
# PL SHAKER FILTER ASSY

FLOORTEC R 985 B ALT

2016.03.01

2016.03.02

Pos.	Vare-nr	Antal	Beskrivelse	Notes
1	1466314000	2	MOTOR FILTER SHAKER 12W 24V KIT	
2	1466857000	2	CAM F FILTER SHAKER KIT	
3	1466879000	2	BRACKET GALV. F FILTER SHAKER SIP	
4	1466878000	2	SUPPORT GALV. F FILTER SHAKER MOTOR SIP	
5	1467010000	2	SPACER 6.5X10X26 GALV. 4 PCS SET	
6	1467009000	2	SPRING COMPRESS. D.E.13.5 4 PCS SET	
7	1467003000	1	SCREW M6X40 CARR. ISO8677 10 PCS SET	



# PL VACUUM FAN ASSY

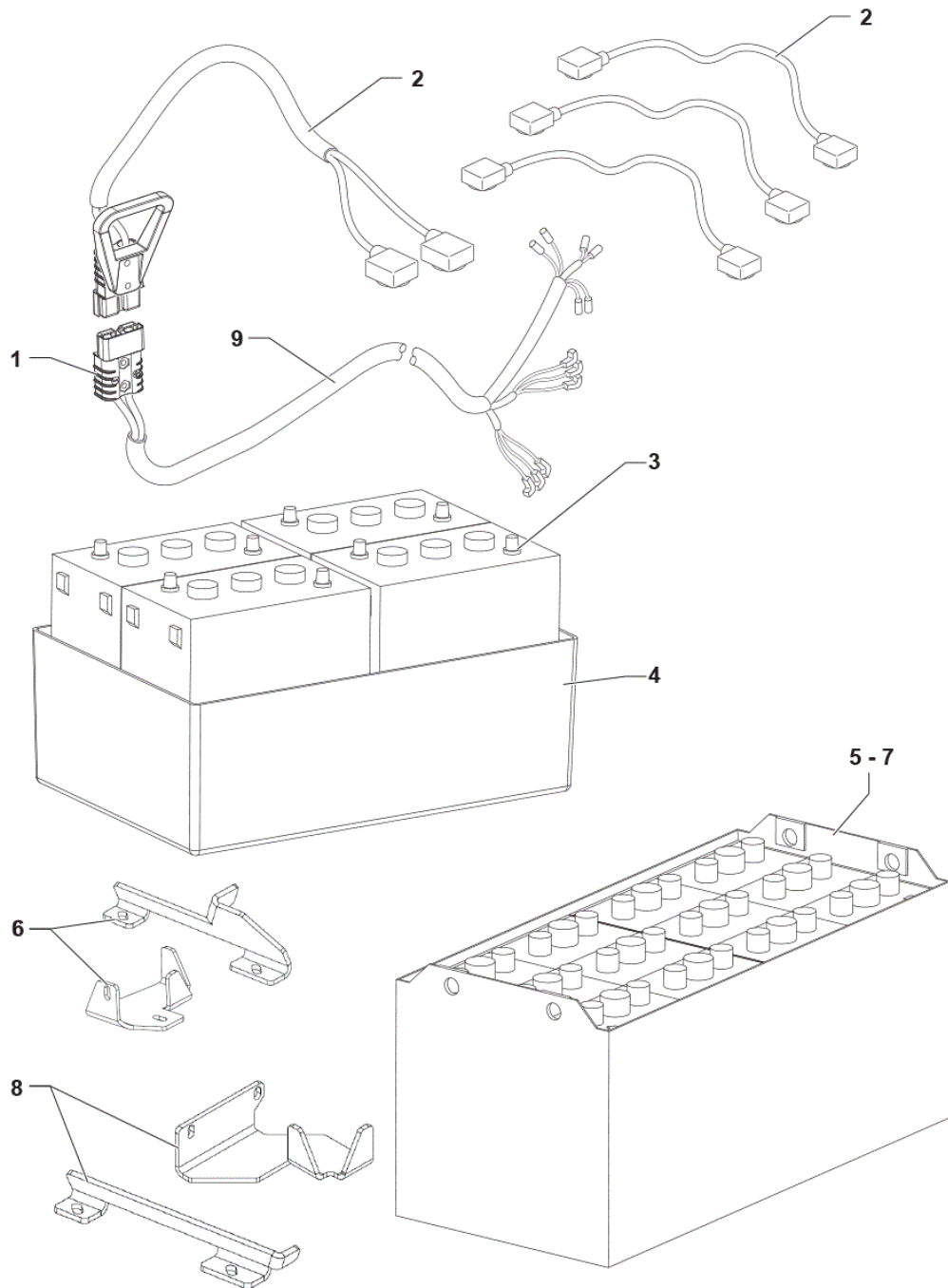
FLOORTEC R 985 B ALT

2016.03.01

2016.10.13

<b>Pos.</b>	<b>Vare-nr</b>	<b>Antal</b>	<b>Beskrivelse</b>	<b>Notes</b>
1	1467040000	1	FAN RADIAL 24V SIP	
2	1466866000	1	PLATE GALV. F FAN AND FILTER SHAKER SIP	
3	33023192	1	GASKET MOTOR VACUUM SIP	
4	1467061000	1	SUPPORT MOTOR VACUUM SIP	
5	1466868000	1	SPACERS CPL F VAC FAN KIT	
6	33018805	1	GRILL ELECTROFAN KIT	
7	1467552000	1	HARNESS F FILTER SHAKER AND FAN SIP	
8	9100001779	1	GLAND CABLE PLASTIC W/NUT PG13.5 SIP	

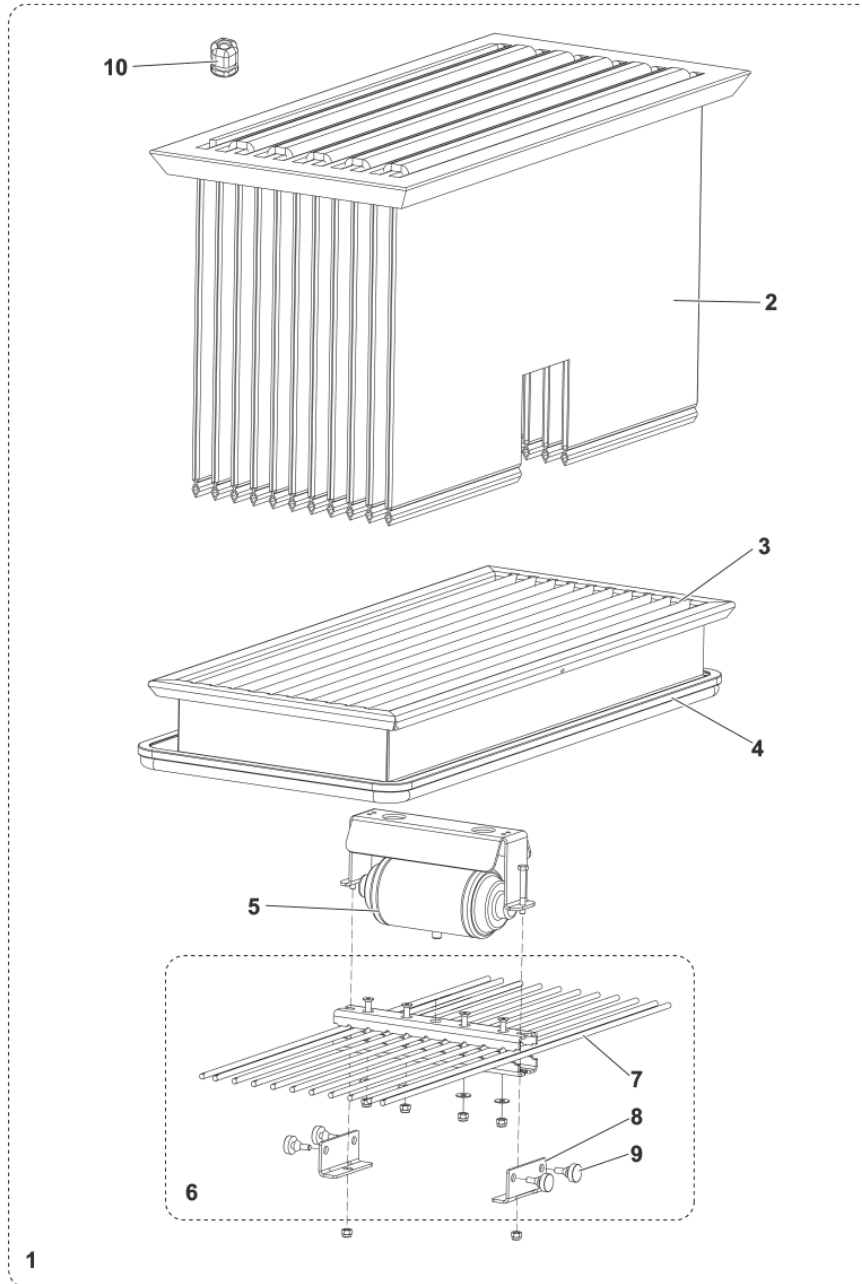




Pos.	Vare-nr	Antal	Beskrivelse	Notes
1	1467029000	2	CONNECTOR 175A RED SIP	
2	1467526000	1	HARNESS F BATTERY KIT	[1]
2	1467648000		HARNESS BATTERY US SIP	[2]
3	80564100	4	Batteri 6V 240A GEL monoblok	[3]
3	80565000	4	Batteri 6V 255A WET semi-traktion	[3]
4	1467475000	1	Batteri kasse 630X420	[4]
5	80565300	1	Batteri 24V 330A GEL i stålboкс	[3]
5	80565200	1	Batteri 24V 360A WET stålboкс Aquamatic	[3]
6	1465750000	1	Batteri-monterings beslag kit 330/360A	[5]
7	80562448	1	Batteri 24V 480A WET i stålboкс Aquamatic	[3]
7	80562442	1	Batteri 24V 420A GEL	[3]
8	1466420000	1	Batteri-monterings beslag kit 420/480A	[6]
9	1466871000	1	HARNESS MACHINE BATTERY VERSION EU SIP	

## Part Notes:

- [1] - FOR EU MODEL
- [2] - FOR US MODEL
- [3] - OPTIONAL
- [4] - OPTIONAL - USE FOR MONOBLOCK BATTERY
- [5] - OPTIONAL - USE SMALL STEEL TRAY
- [6] - OPTIONAL -USE FOR LARGE STEEL TRAY



# PL ACCESSORIES - FILTER POCKET

FLOORTEC R 985 B ALT

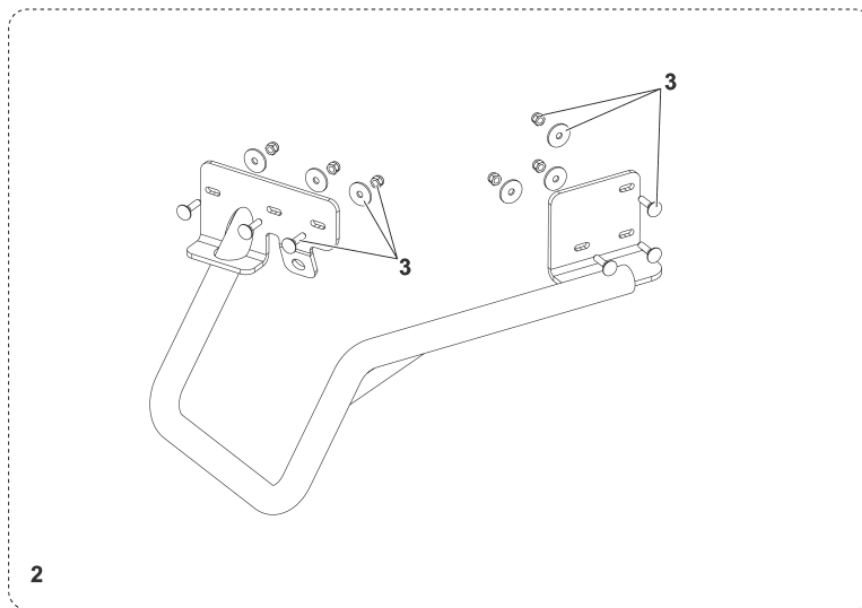
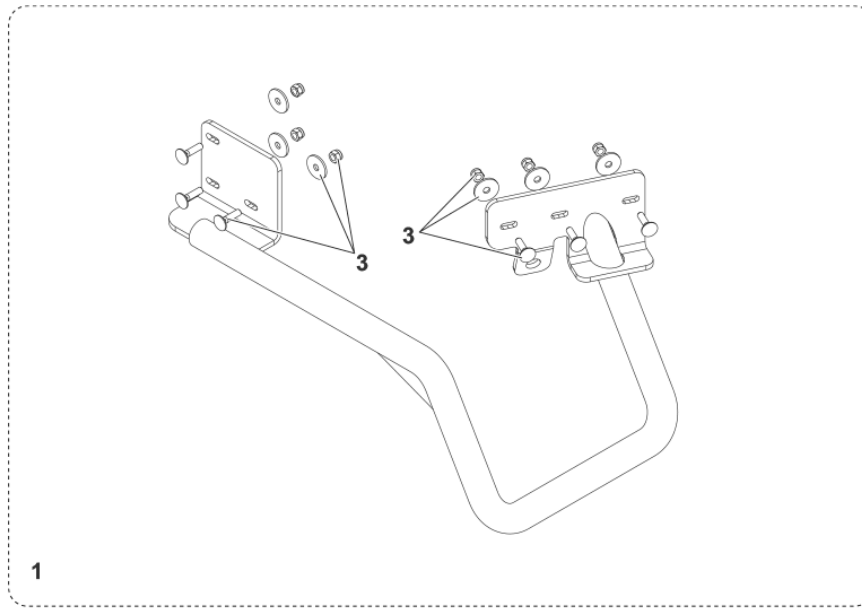
2016.03.01

2016.03.02

Pos.	Vare-nr	Antal	Beskrivelse	Notes
1	1466885000	1	Lommefilter Kit	[1]
2	1466917000	1	FILTER POCKET SIP	
3	1466918000	1	FRAME MET. BLACK F POCKET FILTER SIP	
4	1466919000	1	GASKET BULB REINFORCED L.2090MM SIP	
5	146 2795 000	1	Filterryster Kit	
6	1466922000	1	HARDWARE POCKET FILTER RODS FIXING KIT	
7	1466920000	1	ROD MET. BLACK F POCKET FILTER KIT	
8	1466921000	1	HOLDER MET. F POCKET FILTER DAMPER KIT	
9	1467006000	1	PLUG ANTI VIBRATION D.8-D.20 10 PCS SET	
10	9100001779	1	GLAND CABLE PLASTIC W/NUT PG13.5 SIP	

**Part Notes:**

[1] - OPTIONAL



# PL ACCESSORIES - GUARD SIDE BROOM

FLOORTEC R 985 B ALT

2016.03.01

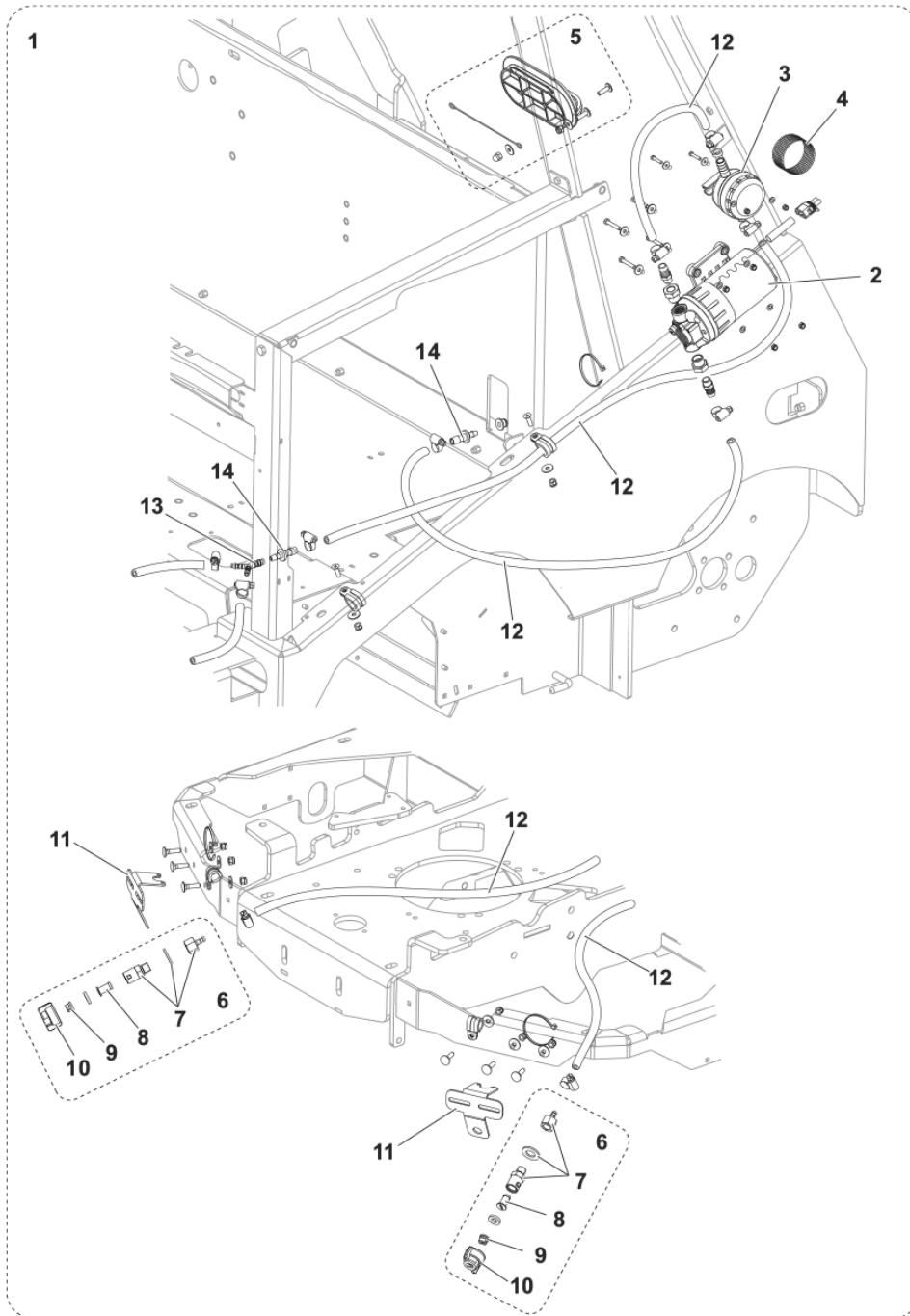
2016.03.21

---

Pos.	Vare-nr	Antal	Beskrivelse	Notes
1	1466891000	1	Beskyttelseskit til sidekost (højre)	[1]
2	1466892000	1	Beskyttelseskit til sidekost (venstre)	[1]
3	1466927000	2	HARDWARE F SIDE BROOM GUARD KIT	

Part Notes:

[1] - OPTIONAL - INST. INSTR. 1466901000

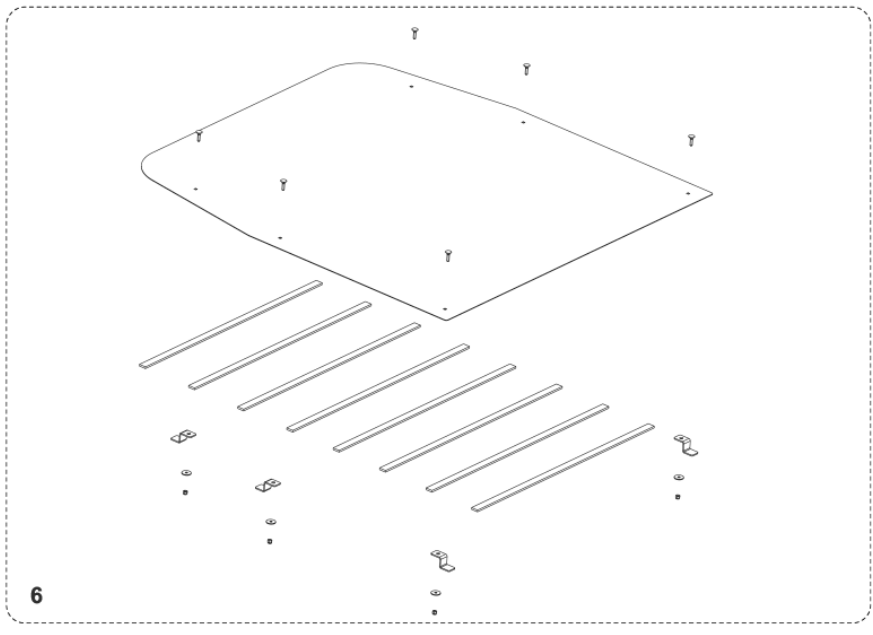
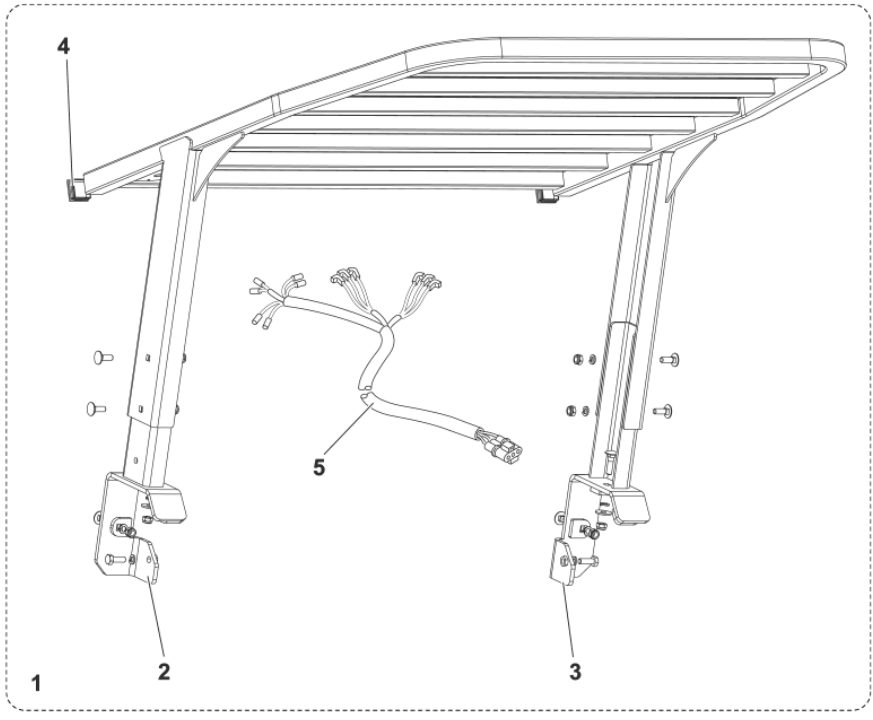


Pos.	Vare-nr	Antal	Beskrivelse	Notes
1	1466890000	1	DustGuard kit (vandtågesystem)	[1]
2	1465647000	1	PUMP WATER KIT	
3	9100000860	1	FILTER WATER PKD	
4	9100000861	1	NET WATER FILTER REINFORCED PKD	
5	1465355000	1	CAP SOLUTION TANK KIT	
6	33019324	2	Nozzle Spray Kit	
7	33020865	2	ADAPTER SPRAY KIT	
8	1467245000	2	CHECK VALVE FILTER PKD	
9	1467246000	2	NOZZLE SPRAY D. 0.33 S.S. PKD	
9	1467247000	2	NOZZLE SPRAY D. 0.53 BRASS PKD	
10	1467248000	2	RING NUT QUICK COUPLING SIP	
11	1467177000	2	SUPPORT GALV. F NOZZLE SIP	
12	1467178000	1	HOSES F DUSTGUARD KIT	
13	1467179000	1	ELBOW Y D.6-8-6 2 PCS SET	
14	1467180000	2	FITTING STRAIGHT REDUCER 4 PCS SET	

## Part Notes:

[1] - OPTIONAL - INST. INSTR. 1466900000

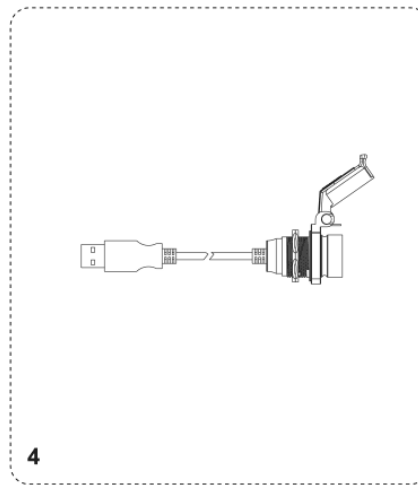
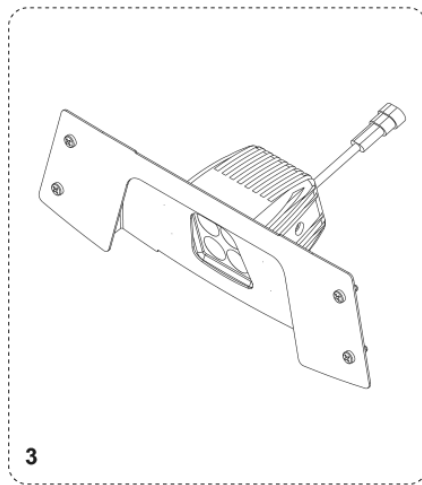
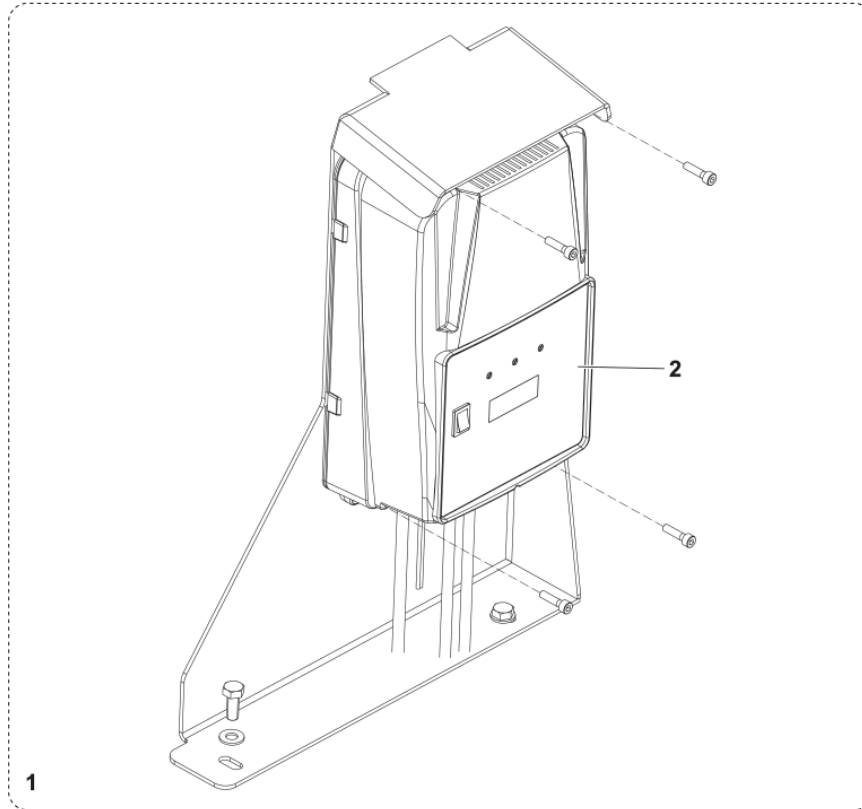




Pos.	Vare-nr	Antal	Beskrivelse	Notes
1	1466096000	1	Beskyttelsestag Kit	[1]
2	1466924000	1	SUPPORT RT F OHG MET. BLACK SIP	
3	1466926000	1	SUPPORT LT F OHG MET. BLACK SIP	
4	1467084000	1	CAP SQUARE 40X40 2 PCS SET	
5	1467556000	1	HARNESS F OHG SIP	
6	1466886000	1	Sikkerhedsplade til beskyttelsestag	[2]

Part Notes:

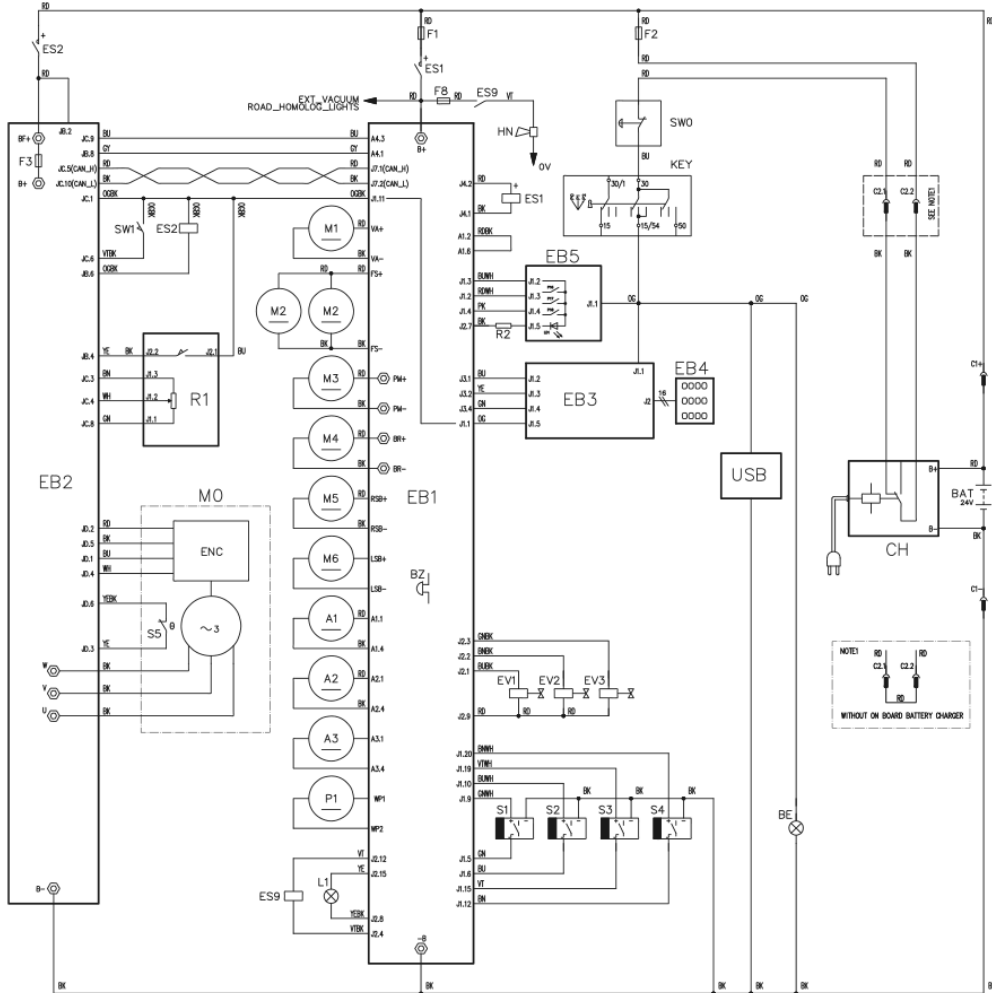
- [1] - OPTIONAL - INST. INSTR. 1466894000
- [2] - OPTIONAL - INST. INSTR. 1466895000



Pos.	Vare-nr	Antal	Beskrivelse	Notes
1	1466893000	1	Indbygget oplader 24V 40A	[1]
2	1466923000	1	CHARGER ON BOARD 24V 40A 230V SIP	
3	1466889000	1	Lys kit front	[2]
4	1466247000	1	USB port kit	[3]
5	1466947000	1	CABLE POWER SUPPLY UK L.3000MM SIP	[4]
6	1466318000	1	CABLE EXTENSION UK PLUG L.2000MM SIP	[4]
7	9100000787	1	CABLE EXTENSION EU PLUG L.2000 PKD	[4]

## Part Notes:

- [1] - OPTIONAL - INST. INTR. 1466904000
- [2] - OPTIONAL - INST. INTR. 1466899000
- [3] - OPTIONAL - INST. INTR. 1466896000
- [4] - OPTIONAL - NOT SHOWN



Pos.	Vare-nr	Antal	Beskrivelse	Notes
A1	1466663000		ACTUATOR LINEAR 24V DC STRK 45MM SIP	
A2	1466663000		ACTUATOR LINEAR 24V DC STRK 45MM SIP	
A3	1466663000		ACTUATOR LINEAR 24V DC STRK 45MM SIP	
BE	1464948000		Advarselsblink kit	
C1	1467029000		CONNECTOR 175A RED SIP	
C2	1467029000		CONNECTOR 175A RED SIP	
CH	1466893000		Indbygget oplader 24V 40A	
EB1	9100001879		CONTROLLER MAIN MACHINE KIT	
EB2	1466649000		CONTROLLER DRIVE WHEEL 24V 240A A.C. SIP	
EB3	1466681000		CONTROLLER DISPLAY SIP	
EB4	1466679000		DASHBOARD CONTROL PANEL BLUE SIP	
EB4	1466680000		DASHBOARD CONTROL PANEL BLACK SIP	
EB5	1466684000		DASHBOARD SIDE CONTROL PANEL SIP	
EB5	1466686000		DASHBOARD SIDE CONTROL PANEL BLACK SIP	
ES1	1466645000		CONTACTOR 24V 100A SIP	
ES2	1466644000		CONTACTOR 24V 200A SIP	
F1	1466652000		FUSE BOLT DOWN 150A SIP	
F2	1467034000		FUSE BLADE 10A SIP	
F3	1467241000		FUSE BOLT-DOWN 160A SIP	
HN	1467032000		HORN 24V SIP	
KEY	33020442		Nøgleafbryder M. Nøgle	
L1	1466889000		Lys kit front	
M0	1466461000		MOTOR AC 24V 1.2KW	
M1	1467040000		FAN RADIAL 24V SIP	
M2	1466314000		MOTOR FILTER SHAKER 12W 24V KIT	
M3	1466712000		GEARCASE HYDRAULIC 24V 800W 1CC SIP	
M4	1466946000		MOTOR 24V 1250W 3800 RPM IP44 MP80L KIT	
M5	1466668000		MOTOR GEARBOX 24VDC 120W RT BROOM PKD	
M6	1466674000		MOTOR GEARBOX 24VDC 120W LT BROOM SIP	
R1	1466589000		PEDAL ELECTRONIC ACCELERATOR KIT	
S1	1467062000		SWITCH BACK UP PROXIMITY SIP	
S2	1467062000		SWITCH BACK UP PROXIMITY SIP	
S3	1467062000		SWITCH BACK UP PROXIMITY SIP	
S4	1467062000		SWITCH BACK UP PROXIMITY SIP	
SW0	1466683000		SWITCH EMERGENCY KIT	
SW1	1467028000		SEAT SIP	
USB	1466247000		USB port kit	



Pos.	Vare-nr	Antal	Beskrivelse	Notes
EOM	33020442	1	Nøgleafbryder M. Nøgle	
EOM	33023192	1	GASKET MOTOR VACUUM SIP	
EOM	44905699	1	BEARING BALL 6001 2RS PKD	
WEAR	1466255000	1	WHEEL NON MARKING D300X85	
EOM	1466314000	1	MOTOR FILTER SHAKER 12W 24V KIT	
EOM	1466461000	1	MOTOR AC 24V 1.2KW	
EOM	1466474000	1	GEAR BOX F MOTORWHEEL TV-130 1/28.4	
EOM	1467192000	1	SENSOR SPEED KIT	
EOM	1466552000	1	SEAL HYDRAULIC CYLINDER 25/16/120 KIT	
EOM	1466553000	1	SEAL HYDRAULIC CYLINDER 40/25/470 KIT	
WEAR	1466587000	1	WHEELS FOAMED 4.00-8 CPL KIT	
WEAR	1466588000	1	Baghjul sværtefrie 4.00-8 Kit	
EOM	1466592000	1	ACCELERATOR ELECTRONIC SIP	
EOM	1467191000	1	MOTORWHEEL TV-130 24V AC 1.2KW KIT	
EOM	1466599000	1	PINION Z8 5/8X3/8 MET. KIT	
EOM	1466600000	1	CHAIN ISO 10B-1 57 PITCHES 2 LINKS SIP	
EOM	1466602000	1	PLATE GALV. F FRONT SKIRT KIT	
WEAR	1466606000	1	SKIRT FRONT OVERMOLDED BLACK RUBBER PKD	
EOM	1467577000	1	WIRE F FRONT SKIRT RAISING SIP	
WEAR	1466613000	1	SKIRT REAR PRIMARY BLACK RUBBER PKD	
WEAR	1466614000	1	SKIRT LT SIDE BLACK RUBBER PKD	
WEAR	1466616000	1	SKIRT REAR RECYCLING BLACK RUBBER PKD	
WEAR	1466619000	1	SKIRT RT SIDE BLACK RUBBER PKD	
EOM	1466644000	1	CONTACTOR 24V 200A SIP	
EOM	1466645000	1	CONTACTOR 24V 100A SIP	
EOM	1467551000	1	HARNESS STEERING COLUMN SIP	
EOM	9100001879	1	CONTROLLER MAIN MACHINE KIT	
EOM	1466649000	1	CONTROLLER DRIVE WHEEL 24V 240A A.C. SIP	
EOM	1466652000	1	FUSE BOLT DOWN 150A SIP	
EOM	1466653000	1	PEDAL F BRAKE KIT	[1]
EOM	1466655000	1	WIRE F RT BRAKE SIP	
EOM	1466656000	1	WIRE F LT BRAKE SIP	
EOM	1467598000	1	TIE ROD PRIMARY BRAKE SIP	
EOM	1466663000	1	ACTUATOR LINEAR 24V DC STRK 45MM SIP	
EOM	1466668000	1	MOTOR GEARBOX 24VDC 120W RT BROOM PKD	
WEAR	1466670000	1	Sidekost PPL 1.5 302x500 Sort	
EOM	1466674000	1	MOTOR GEARBOX 24VDC 120W LT BROOM SIP	
EOM	1466681000	1	CONTROLLER DISPLAY SIP	
EOM	1466691000	1	GEAR BOX 7.5/1 71 B14 SIP	
EOM	1466697000	1	TIE-ROD METALLIC F BROOM SPRING PKD	
EOM	1466701000	1	KNOB LOBES M10 F W/ORANGE CAP SIP	
EOM	1466712000	1	GEARCASE HYDRAULIC 24V 800W 1CC SIP	
EOM	1466723000	1	CYLINDER HYDRAULIC 25/16/120 CPL KIT	
EOM	1466724000	1	BLOCK PLASTIC F LIFTING ARM GUIDE SIP	
EOM	1466790000	1	CYLINDER HYDRAULIC 40/25/470 CPL KIT	
EOM	1466856000	1	LEVER F FAN HOLDER BLOCK KIT	
EOM	1466859000	1	HUB F SIDE BROOM PKD	
WEAR	1466860000	1	Baghjul 4.00-8 Kit	
EOM	1466861000	1	CAM PLASTIC F HOPPER POSITIONING KIT	
EOM	1466862000	1	GASKET DOUBLE BULB RUBBER L.2020MM SIP	
EOM	1466879000	2	BRACKET GALV. F FILTER SHAKER SIP	
WEAR	1466936000	1	Sidekost stål mix 302x500	
EOM	1466946000	1	MOTOR 24V 1250W 3800 RPM IP44 MP80L KIT	
EOM	1467009000	2	SPRING COMPRESS. D.E.13.5 4 PCS SET	
EOM	1467023000	1	HUB LEFT MAIN BROOM PKD	
EOM	1467024000	1	SPRING PKD	
EOM	1467030000	1	BEARING BALL 6003 2RS SIP	
EOM	1467034000	1	FUSE BLADE 10A SIP	
EOM	1467036000	2	KNOB LOBES M10 FEMALE PKD	



Pos.	Vare-nr	Antal	Beskrivelse	Notes
EOM	1467039000	1	SPRING TRACTION CARBON STEEL SIP	
EOM	1467040000	1	FAN RADIAL 24V SIP	
EOM	1467042000	1	LATCH RUBBER SIP	
EOM	1467046000	1	SPRING BRAKE SIP	
EOM	1467054000	1	VALVE BLOCK SIP	
EOM	1467056000	1	HUB MAIN BROOM PKD	
EOM	1467062000	2	SWITCH BACK UP PROXIMITY SIP	
WEAR	1467066000	1	SHOE BRAKE SIP	
WEAR	1467069000	1	ROLLER SIDE BLADE PKD	
EOM	1467070000	1	PIN D.10 GALV. W/CLIP SIP	
EOM	1467071000	1	SPRING EXTENTION D.E.30 WIRE D.5 SIP	
WEAR	1467076000	1	Sidekost Mix 5 302x500	
EOM	1467209000	1	VALVE FLOW CONTROL 5L/MIN 1/4 GAS SIP	
EOM	1467210000	1	SOLENOID 24V 18W N-H13 SIP	
EOM	1467211000	1	CARTRIDGE SOLENOID VALVE 4/2 SIP	
EOM	1467212000	1	CARTRIDGE SOLENOID VALVE 4/3 SIP	
EOM	1467213000	1	CAP PRESSURE D19 SIP	
EOM	1467214000	1	CAP F MP80L MOTOR BRUSHES SIP	
EOM	1467215000	1	CAP F MOTOR BRUSHES SIP	
EOM	1467241000	1	FUSE BOLT-DOWN 160A SIP	
EOM	1467242000	1	MOTOR ELECTRIC 24V 800W SIP	
EOM	9098329000	1	Hinges Kit	
WEAR	1467083000	2	CARBON BRUSH 2 PCS SET	
WEAR	L08603949	1	Kul Kit 4 Stk	
EOM	1466680000	1	DASHBOARD CONTROL PANEL BLACK SIP	
EOM	1467243000	1	STUD BOLT M/F 1/4 BSP ES. 19 SIP	

## Part Notes:

[1] - STOCK COVERS GUARANTEE

