

# PARTS LIST

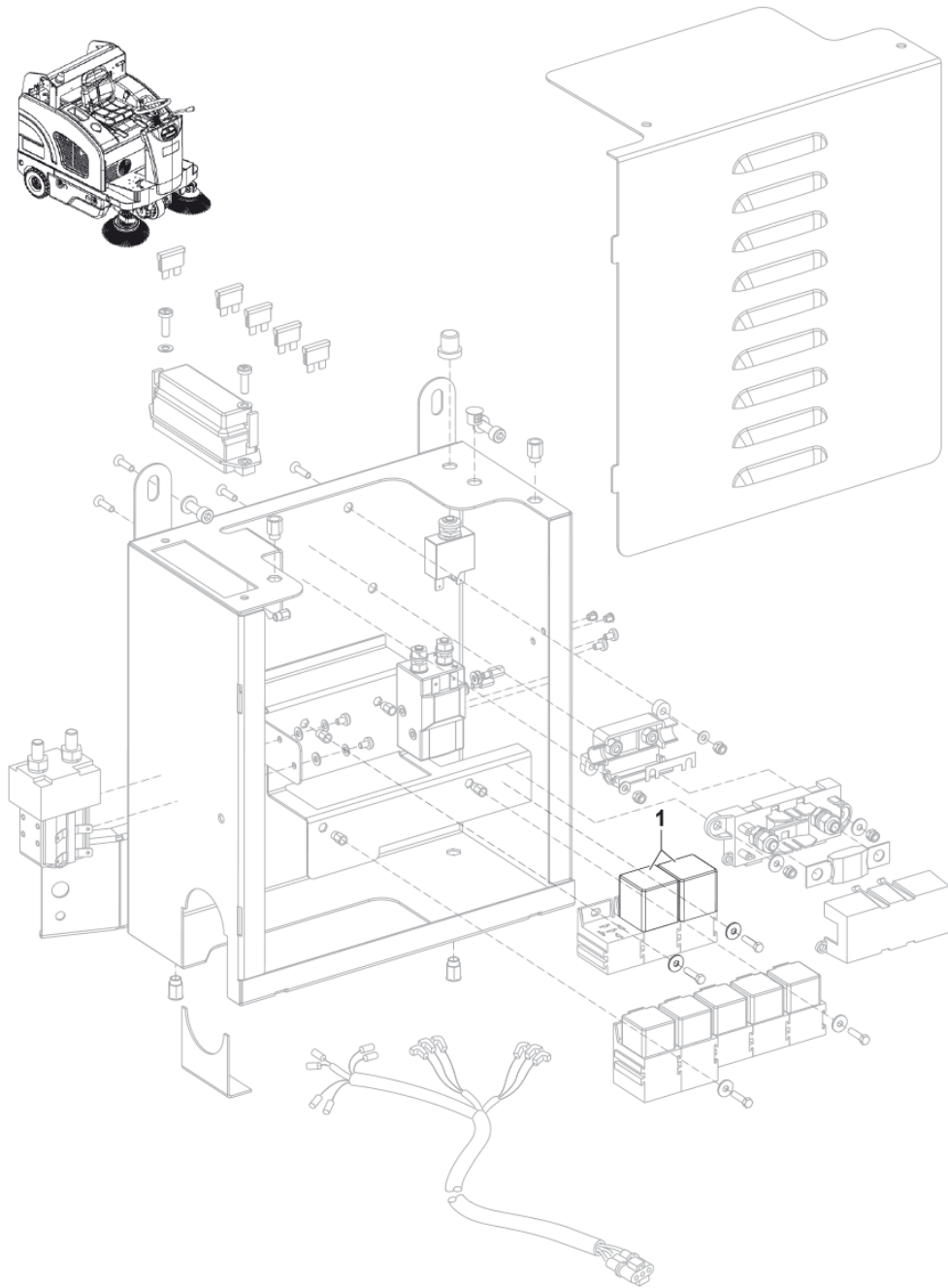


2017.08.01

# TABLE OF CONTENTS

---

ELECTRIC SYSTEM - UNTIL S/N 3810162100037 .....	1
GENERAL VIEW .....	3
FRAME SYSTEM 1 .....	5
FRAME SYSTEM 2 .....	7
EXTENSIBLE ARM .....	9
FRAME 1 .....	11
FRAME 2 .....	13
SEAT COVER .....	15
SEAT COVER .....	17
ELECTRIC WHEEL .....	19
MOTOR WHEEL .....	21
RIGHT BROOM .....	23
LEFT BROOM .....	25
MAIN BROOM .....	27
BROOM CLOSING .....	29
MAIN BROOM ADJUSTMENT .....	31
FRONT LIFT FLAP .....	33
VACUUM SYSTEM .....	35
PANEL FILTER .....	37
LIFTING ARMS .....	39
HOPPER SYSTEM .....	41
PEDAL BRAKE .....	43
ACCELERATOR PEDAL .....	45
STEERING COLUMN .....	47
BROOM LEVERS .....	49
CONTROL PANEL .....	51
CONTROL PANEL COVER .....	53
ELECTRIC SYSTEM .....	55
HYDRAULIC SYSTEM .....	57
BATTERIES .....	59
FLOOR MAT AND BEACON .....	61
ACCESSORIES 1 .....	63
ACCESSORIES 2 .....	65
ACCESSORIES 3 .....	67
ACCESSORIES 4 .....	69
ACCESSORIES 5 .....	71
WIRING DIAGRAM .....	73
RECOMMENDED SPARE PARTS .....	75
OPTIONALS AND ACCESSORIES .....	78

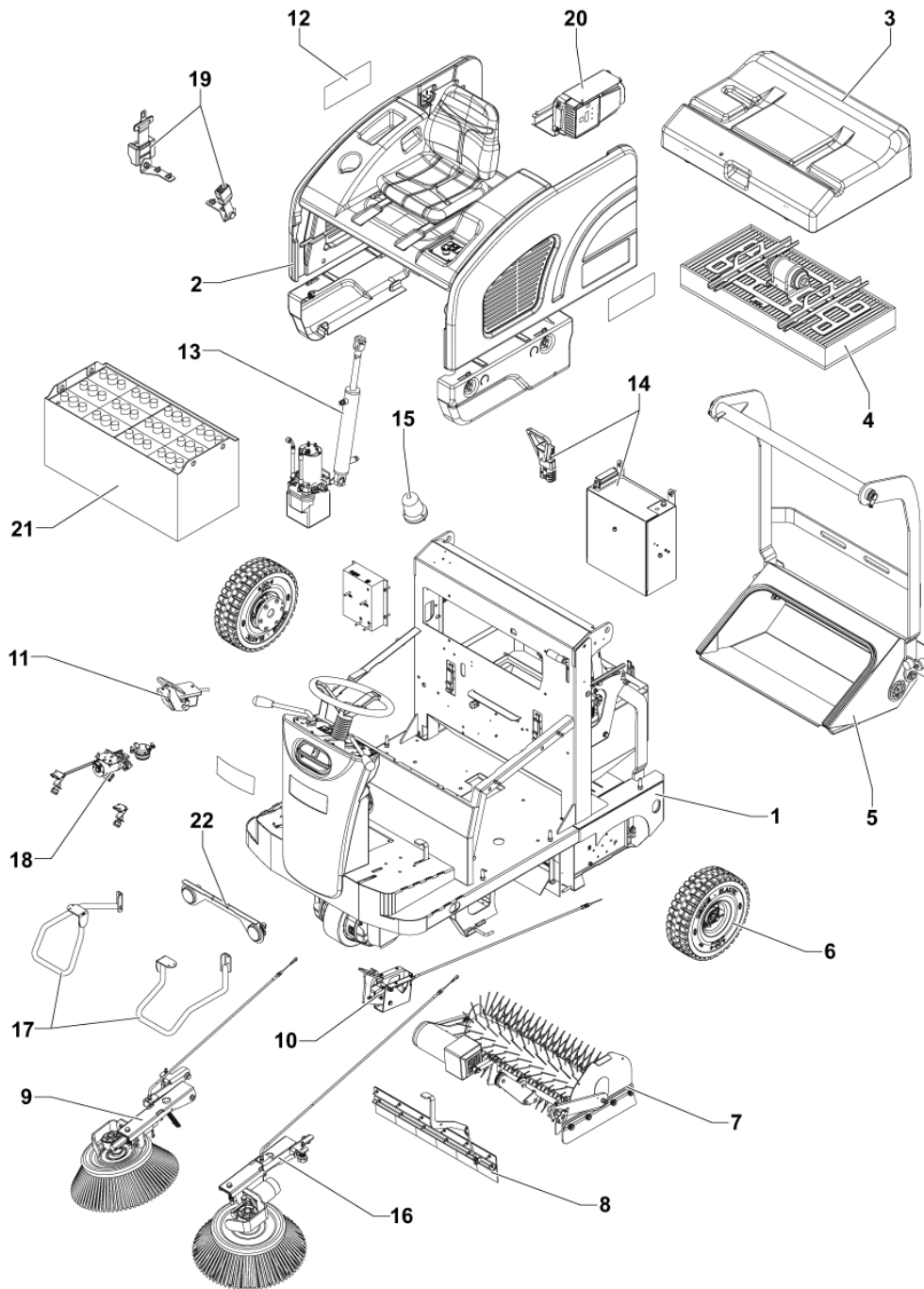


---

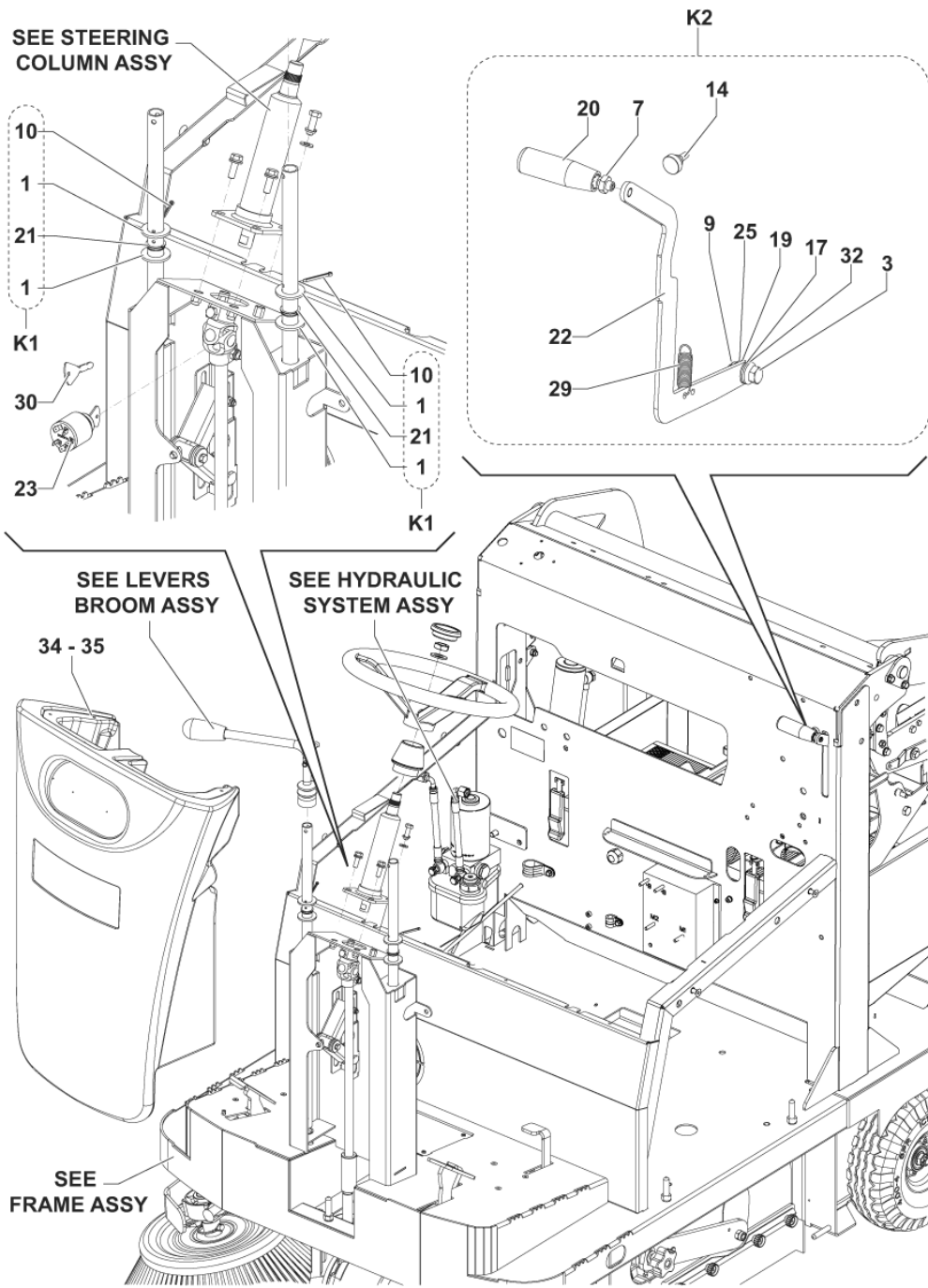
Pos.	Vare-nr	Antal	Beskrivelse	Notes
1	1466984000	1	GEARCASE HYDRAULIC POWER SUPPLY KIT	[1]

## Part Notes:

[1] - SEE INST. INTR. 1466982000  
See TSB-FC-2017-024

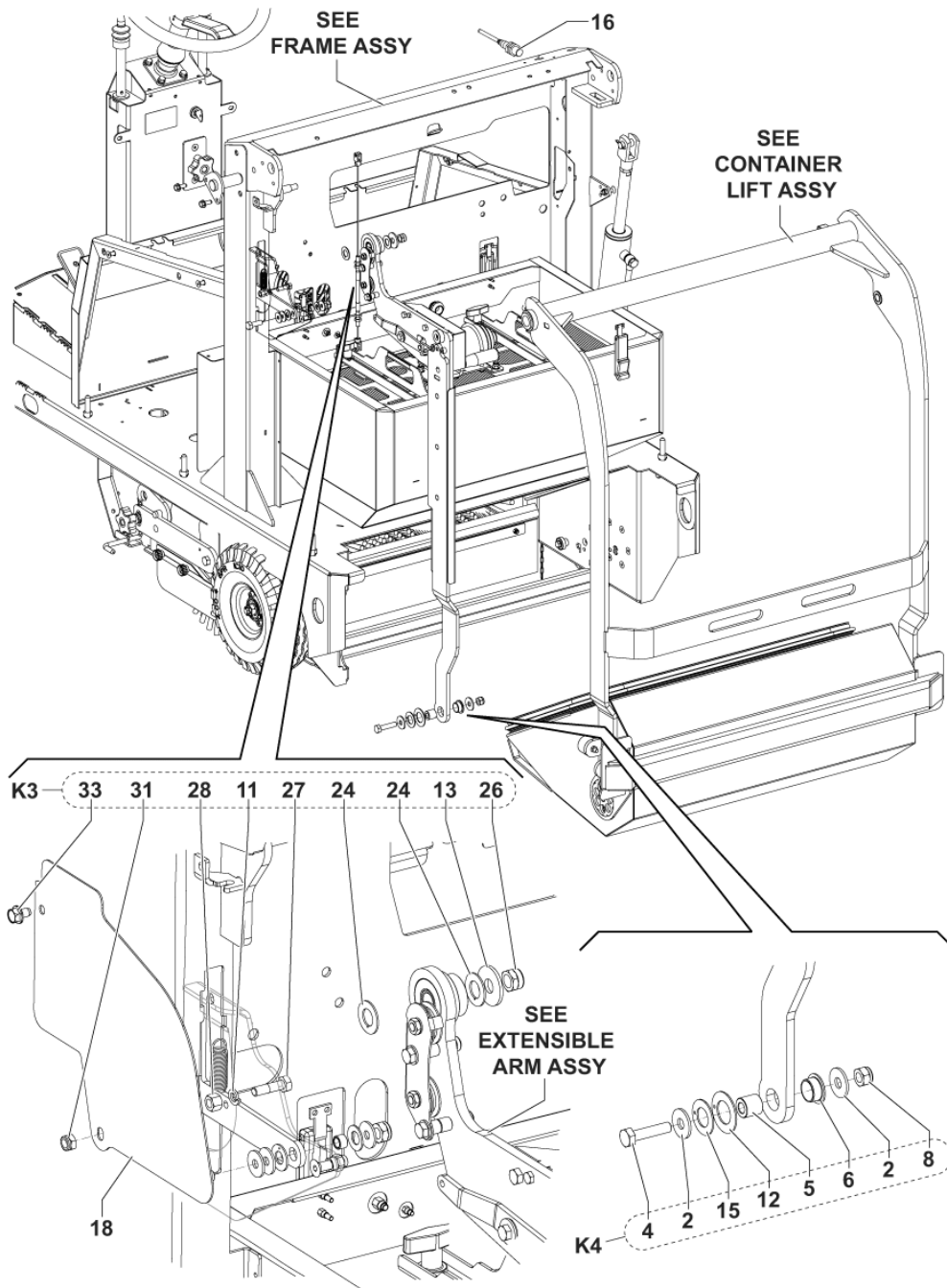


Pos.	Vare-nr	Antal	Beskrivelse	Notes
1			CHASSIS ASSY	
2			COVERS AND COFFINS ASSY	
3			VACUUM COVER ASSY	
4			PANEL FILTER ASSY	
5			HOPPER ASSY	
6			REAR WHEELS ASSY	
7			CENTRAL BROOM ASSY	
8			FRONT FLAP ASSY	
9			RIGHT BROOM ASSY	
10			BRAKE PEDAL ASSY	
11			ACCELERATOR PEDAL ASSY	
12	1466752000	1	DECALS FLOORTEC R 870 B KIT	
13			HYDRAULIC SYSTEM ASSY	
14			ELECTRIC SYSTEM ASSY	
15			FLASHING LIGHT ASSY	
16			LEFT BROOM ASSY	
17			SIDE BROOM GUARD ASSY	
18			DUSTGUARD SYSTEM ASSY	
19			SAFETY BELTS ASSY	
20			BATTERY CHARGER ASSY	
21			BATTERY ASSY	
22			WORKING LIGHT ASSY	

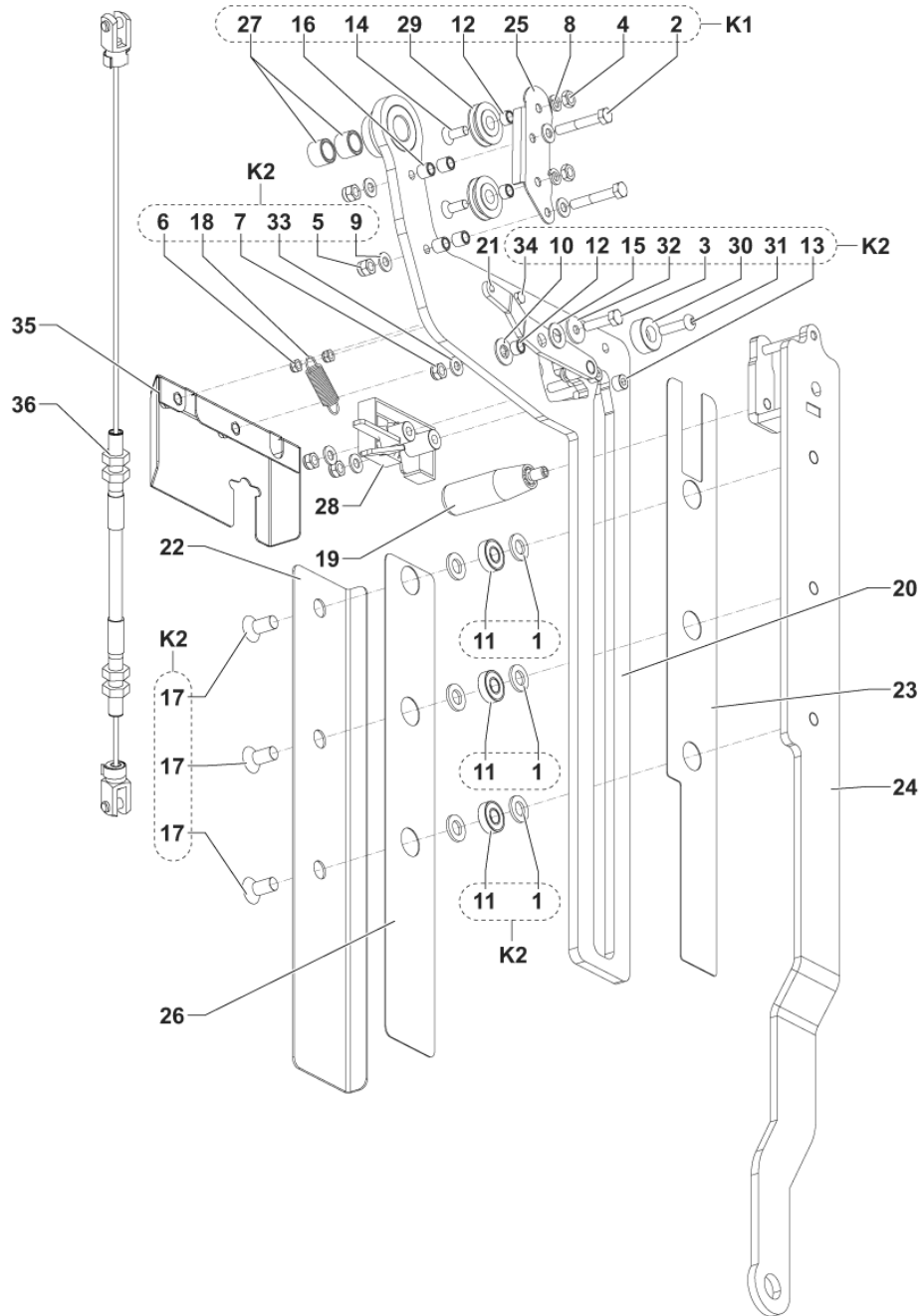


Pos.	Vare-nr	Antal	Beskrivelse	Notes
1		4	K1	
2		2	K4	
3		1	K2	
4		1	K4	
5		1	K4	
6		1	K4	
7		1	K2	
8		1	K4	
9		1	K2	
10		4	K1	
11		1	K3	
12		1	K4	
13		1	K3	
14		1	K2	
15		1	K4	
16	1467062000	1	SWITCH BACK UP PROXIMITY SIP	
17		1	K2	
18	1465286000	1	COVER	
19		1	K2	
20		1	K2	
21		3	K1	
22		1	K2	
23	33020442	1	Nøgleafbryder M. Nøgle	
24		2	K3	
25		1	K2	
26		1	K3	
27		1	K3	
28		1	K3	
29	1467039000	1	SPRING TRACTION CARBON STEEL SIP	
30	1467014000	1	KEY F STARTER SWITCH 2 PCS SET	
31		1	K3	
32		3	K2	
33		1	K3	
34	1464787000	1	COVER FRONT BLUE	
35	1464795000	1	TANK WATER BLUE	
K1	1465031000	1	HARDWARE LEVERS BROOM KIT	
K2	1464915000	1	LEVER FOR HOPPER RELEASE KIT	
K3	1465034000	1	HARDWARE RELEASE MAIN LEVER KIT	
K4	1465035000	1	HARDWARE FOR TELESCOPIC ARM KIT	

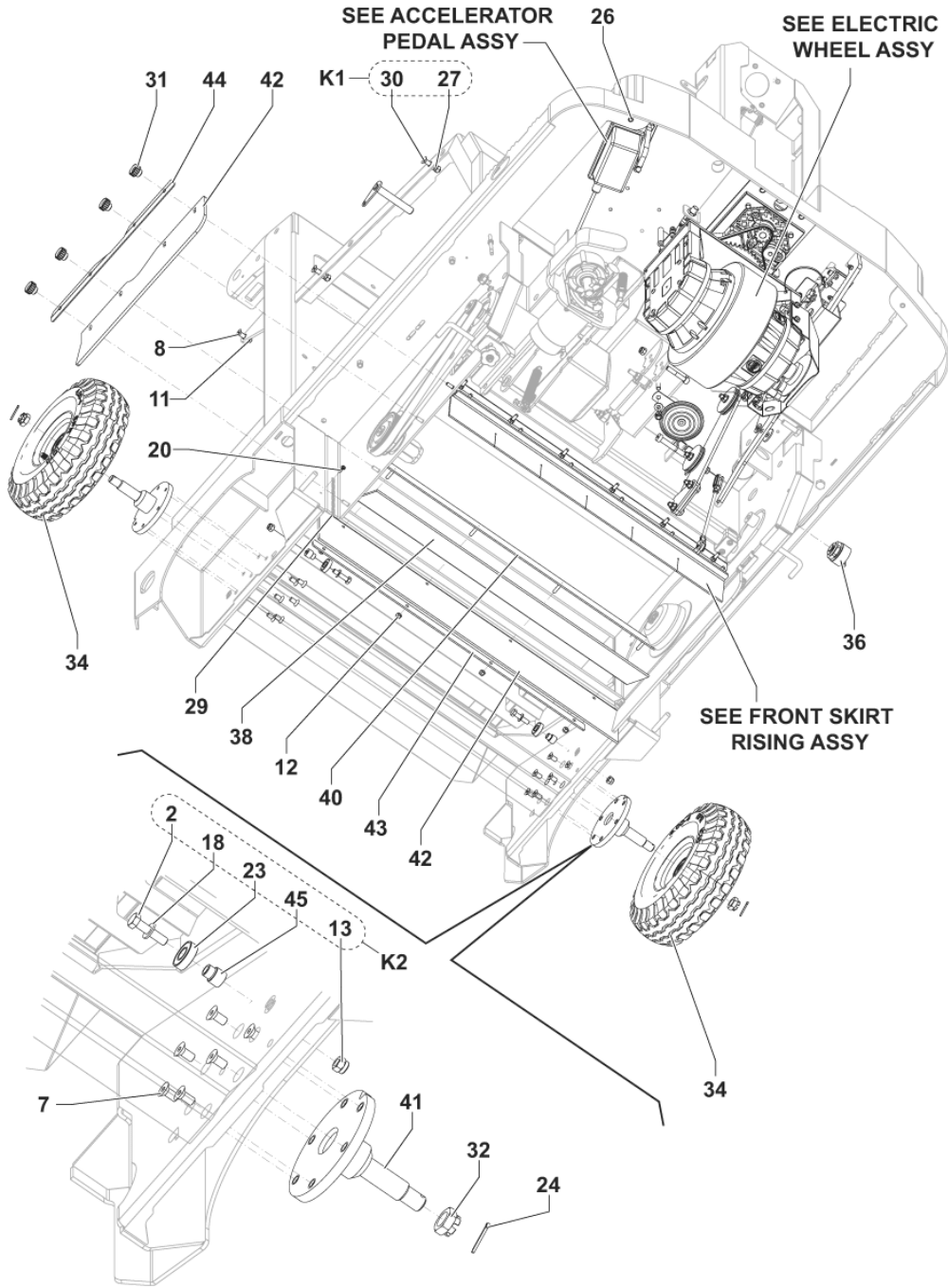




Pos.	Vare-nr	Antal	Beskrivelse	Notes
1		4	K1	
2		2	K4	
3		1	K2	
4		1	K4	
5		1	K4	
6		1	K4	
7		1	K2	
8		1	K4	
9		1	K2	
10		4	K1	
11		1	K3	
12		1	K4	
13		1	K3	
14		1	K2	
15		1	K4	
16	1467062000	1	SWITCH BACK UP PROXIMITY SIP	
17		1	K2	
18	1465286000	1	COVER	
19		1	K2	
20		1	K2	
21		3	K1	
22		1	K2	
23	33020442	1	Nøgleafbryder M. Nøgle	
24		2	K3	
25		1	K2	
26		1	K3	
27		1	K3	
28		1	K3	
29	1467039000	1	SPRING TRACTION CARBON STEEL SIP	
30	1467014000	1	KEY F STARTER SWITCH 2 PCS SET	
31		1	K3	
32		3	K2	
33		1	K3	
34	1464787000	1	COVER FRONT BLUE	
35	1464795000	1	TANK WATER BLUE	
K1	1465031000	1	HARDWARE LEVERS BROOM KIT	
K2	1464915000	1	LEVER FOR HOPPER RELEASE KIT	
K3	1465034000	1	HARDWARE RELEASE MAIN LEVER KIT	
K4	1465035000	1	HARDWARE FOR TELESCOPIC ARM KIT	



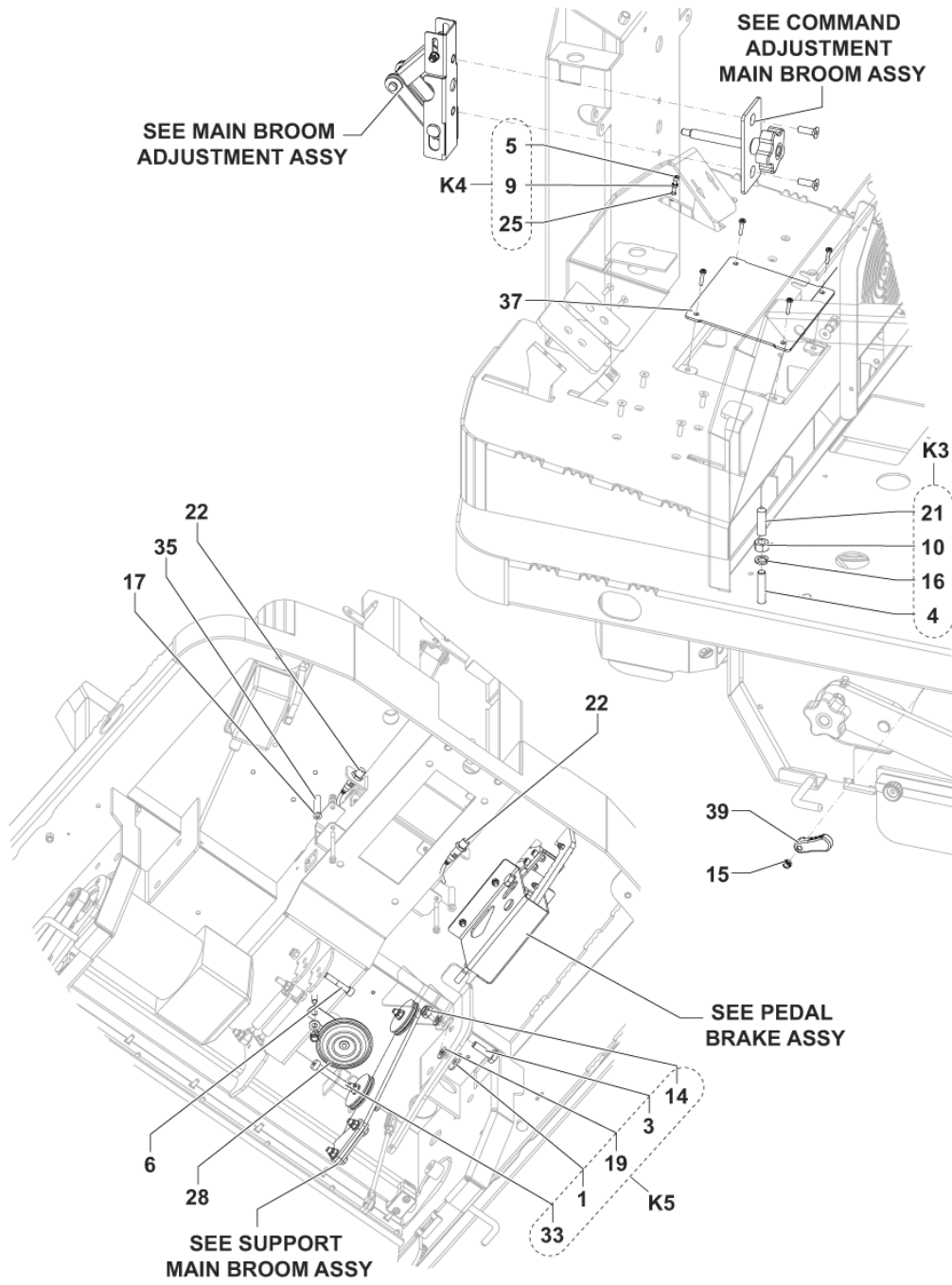
Pos.	Vare-nr	Antal	Beskrivelse	Notes
1		6	K2	
2		2	K1	
3		1	K2	
4		2	K1	
5		2	K2	
6		2	K2	
7		4	K2	
8		2	K1	
9		7	K2	
10		1	K2	
11	44905699	3	BEARING BALL 6001 2RS PKD	
12		3	K1-K2	
13		2	K2	
14		2	K1	
15		1	K2	
16		4	K1	
17		3	K2	
18	1467039000	1	SPRING TRACTION CARBON STEEL SIP	
19	1464792000	1	HANDLE REVOLVING	
20	1465261000	1	ARM GUIDE	
21	1465262000	1	LEVER FOR LOCK RELEASE	
22	1465266000	1	PROTECTION EXTERNAL	
23	1465268000	1	PLATE PLASTIC ANTIABRASIVE	
24	1465269000	1	ARM TELESCOPIC	
25		1	K1	
26	1465276000	1	PLATE PLASTIC ANTIABRASIVE	
27	1465281000	2	BEARING SLEEVE IGLIDUR MSM-1622-15	
28	1465282000	1	LATCH SLAM	
29	1465288000	2	PULLEY	
30	1465289000	1	SPACER PLASTIC	
31		1	K2	
32		1	K2	
33		1	K2	
34		1	K2	
35	1465388000	1	PROTECTION FOR LATCH KIT	
36	1465273000	1	CABLE LOCK RELEASE	
K1	1465032000	1	LEVER CONTAINER RELEASE FIXING KIT	
K2	1465033000	1	LEVER PIVOT FIXING KIT	



Pos.	Vare-nr	Antal	Beskrivelse	Notes
1		1	K5	
2		2	K2	
3		1	K5	
4		7	K3	
5		1	K4	
6	33004370	1	SCREW M8X45 CAP HD HEX SOCK ISO4762	
7	33004590	12	SCREW M8X16 C/SUNK FLAT HD HEX ISO10642	
8	33004593	2	SCREW M8X25 C/SUNK FLAT HD HEX ISO10642	
9		1	K4	
10		7	K3	
11		6	K1	
12	33023469	1	NUT LOCK HEX M6 ISO7040 10 PCS SET	
13		5	K2	
14		1	K5	
15	33023667	1	NUT LOCK HEX M6 LOW ISO10511 5 PCS SET	
16		7	K3	
17	33023396	1	WASHER PLAIN M6X12 ISO7089 10 PCS SET	
18		6	K2	
19		2	K5	
20		1	K1	
21		7	K3	
22	1467062000	2	SWITCH BACK UP PROXIMITY SIP	
23		2	K2	
24	33005791	2	Pin Split 4X45 Uni1336	
25		18	K4	
26	145 4772 000	12	Insert M6	
27		16	K1	
28	1467032000	1	HORN 24V SIP	
29	146 0611 000	1	CHAIN GROUND KIT	
30		4	K1	
31	1466374000	4	KNOB KNURLED M6 FEMALE SIP	
32	1464841000	3	NUT HEX M16 CASTLE LOW DIN937	
33		1	K1	
34	146 1876 000	2	Baghjul, standard sorte	
34	146 0329 000	2	Hjul, forest, sværtefri	[1]
34	1465313000	1	Baghjul sværtefrie	[1]
35	1464847000	2	SPACER 6.2x14x60	
36	909 6126 000	1	BUZZER 5-32V	
37	1464799000	1	COVER BLACK	
38	1464275000	1	SKIRT REAR RECYCLE	
39	1463931000	2	LEVER BROOM DOOR FIXING	
40	1464276000	1	PLATE REAR SKIRT FIXING	
41	1464171000	2	SUPPORT REAR WHEEL	
42	1465396000	1	SKIRTS KIT	
42	1464951000	1	Sværtefrit skørt kit (side, bag, for)	[1]
43	1464277000	1	PLATE REAR SKIRT	
44	1464278000	1	PLATE SIDE KIRT FIXING	
45		2	K2	
K1	1465036000	1	HARDWARE FOR SIDE COVER KIT	
K2	1465037000	1	PIN HOPPER BEARING KIT	
K3	1465038000	1	HARDWARE FOR PIVOT LATERAL COVER KIT	
K4	1465039000	1	HARDWARE FOR ACCELERATOR ADJUSTMENT KIT	
K5	1465040000	1	HARDWARE FRONT FLAP KIT	

## Part Notes:

[1] - OPTIONAL

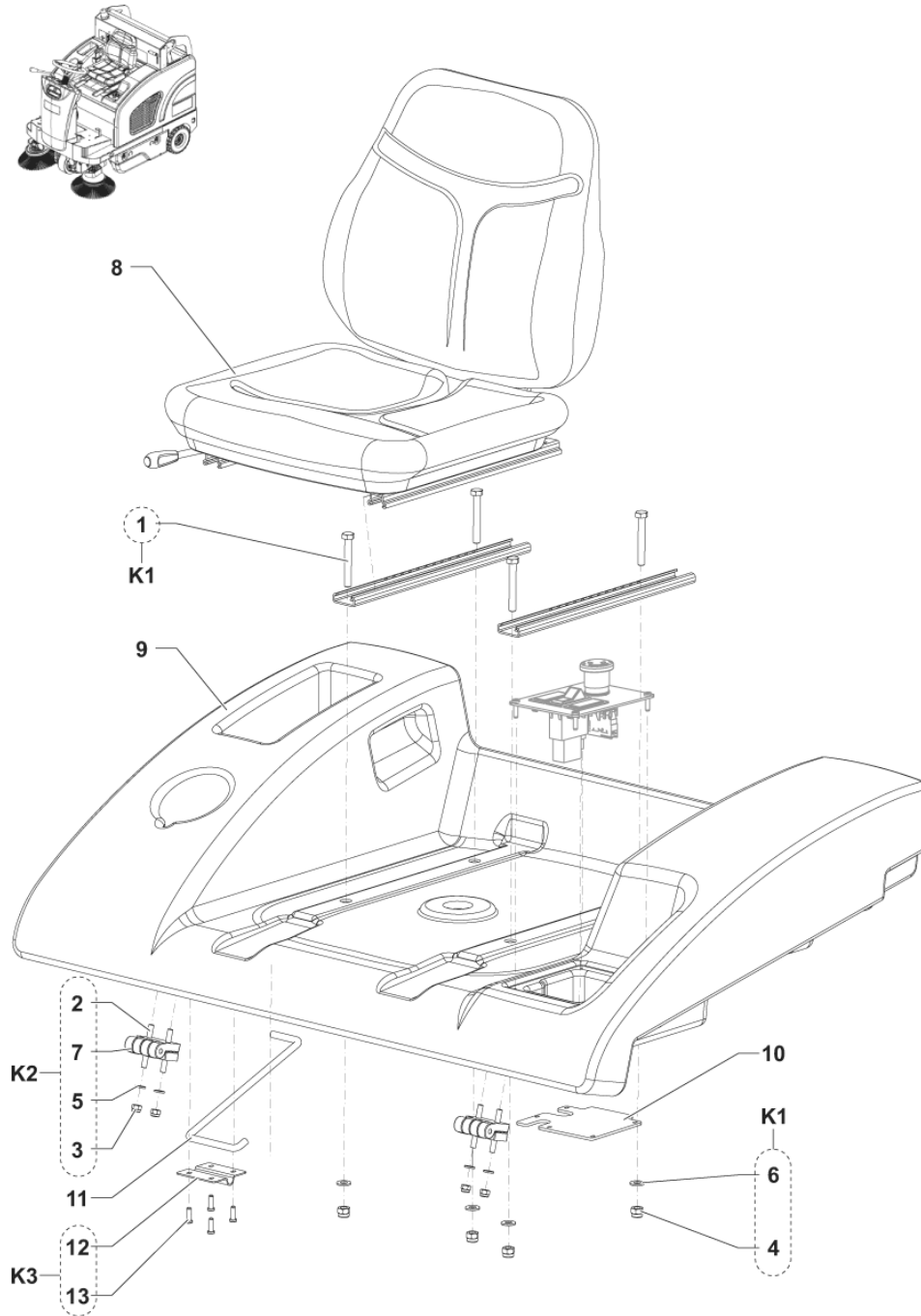


Pos.	Vare-nr	Antal	Beskrivelse	Notes
1		1	K5	
2		2	K2	
3		1	K5	
4		7	K3	
5		1	K4	
6	33004370	1	SCREW M8X45 CAP HD HEX SOCK ISO4762	
7	33004590	12	SCREW M8X16 C/SUNK FLAT HD HEX ISO10642	
8	33004593	2	SCREW M8X25 C/SUNK FLAT HD HEX ISO10642	
9		1	K4	
10		7	K3	
11		6	K1	
12	33023469	1	NUT LOCK HEX M6 ISO7040 10 PCS SET	
13		5	K2	
14		1	K5	
15	33023667	1	NUT LOCK HEX M6 LOW ISO10511 5 PCS SET	
16		7	K3	
17	33023396	1	WASHER PLAIN M6X12 ISO7089 10 PCS SET	
18		6	K2	
19		2	K5	
20		1	K1	
21		7	K3	
22	1467062000	2	SWITCH BACK UP PROXIMITY SIP	
23		2	K2	
24	33005791	2	Pin Split 4X45 Uni1336	
25		18	K4	
26	145 4772 000	12	Insert M6	
27		16	K1	
28	1467032000	1	HORN 24V SIP	
29	146 0611 000	1	CHAIN GROUND KIT	
30		4	K1	
31	1466374000	4	KNOB KNURLED M6 FEMALE SIP	
32	1464841000	3	NUT HEX M16 CASTLE LOW DIN937	
33		1	K1	
34	146 1876 000	2	Baghjul, standard sorte	
34	146 0329 000	2	Hjul, forest, sværtefri	[1]
34	1465313000	1	Baghjul sværtefrie	[1]
35	1464847000	2	SPACER 6.2x14x60	
36	909 6126 000	1	BUZZER 5-32V	
37	1464799000	1	COVER BLACK	
38	1464275000	1	SKIRT REAR RECYCLE	
39	1463931000	2	LEVER BROOM DOOR FIXING	
40	1464276000	1	PLATE REAR SKIRT FIXING	
41	1464171000	2	SUPPORT REAR WHEEL	
42	1465396000	1	SKIRTS KIT	
42	1464951000	1	Sværtefrit skørt kit (side, bag, for)	[1]
43	1464277000	1	PLATE REAR SKIRT	
44	1464278000	1	PLATE SIDE KIRT FIXING	
45		2	K2	
K1	1465036000	1	HARDWARE FOR SIDE COVER KIT	
K2	1465037000	1	PIN HOPPER BEARING KIT	
K3	1465038000	1	HARDWARE FOR PIVOT LATERAL COVER KIT	
K4	1465039000	1	HARDWARE FOR ACCELERATOR ADJUSTMENT KIT	
K5	1465040000	1	HARDWARE FRONT FLAP KIT	

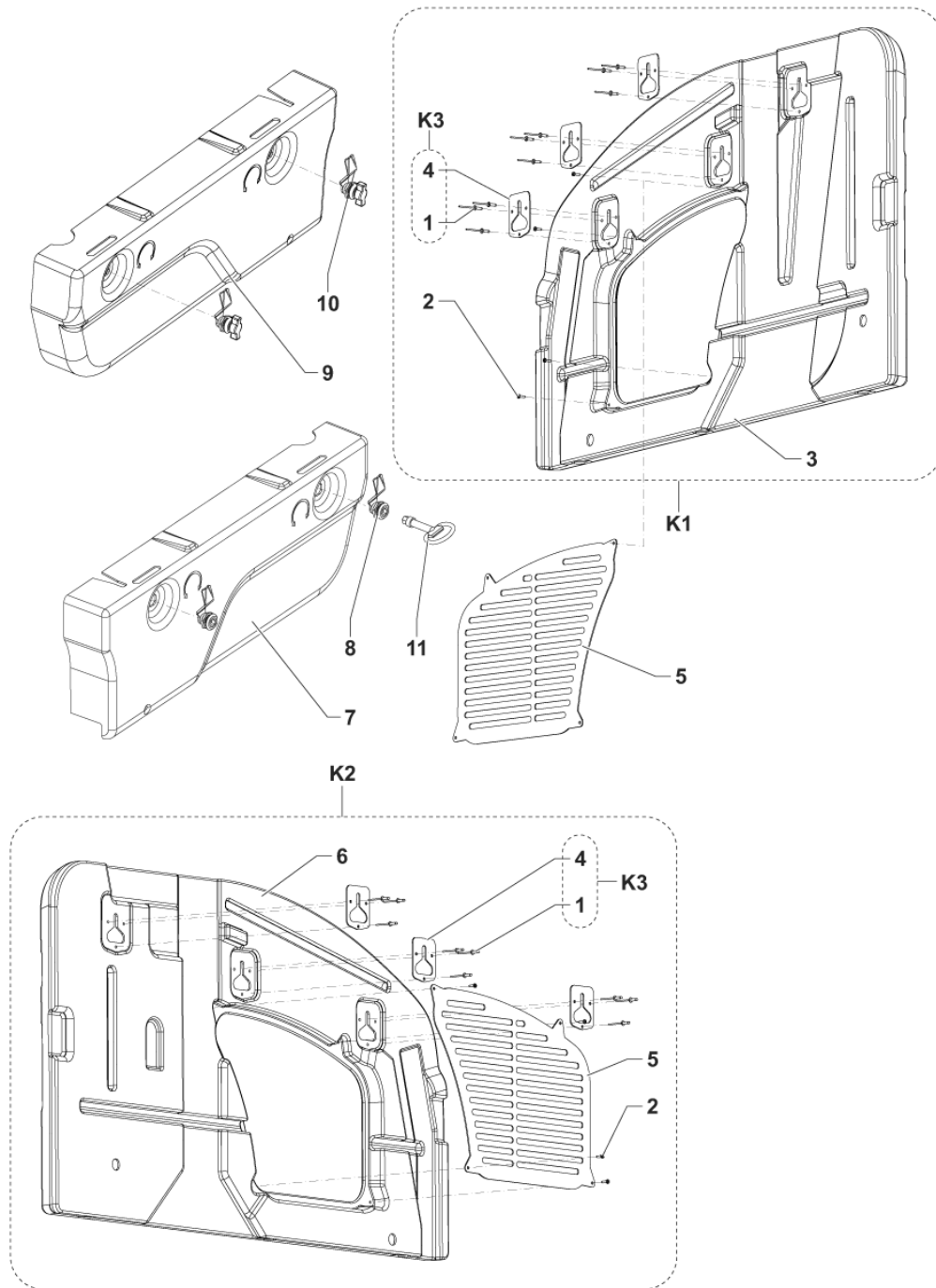
## Part Notes:

[1] - OPTIONAL





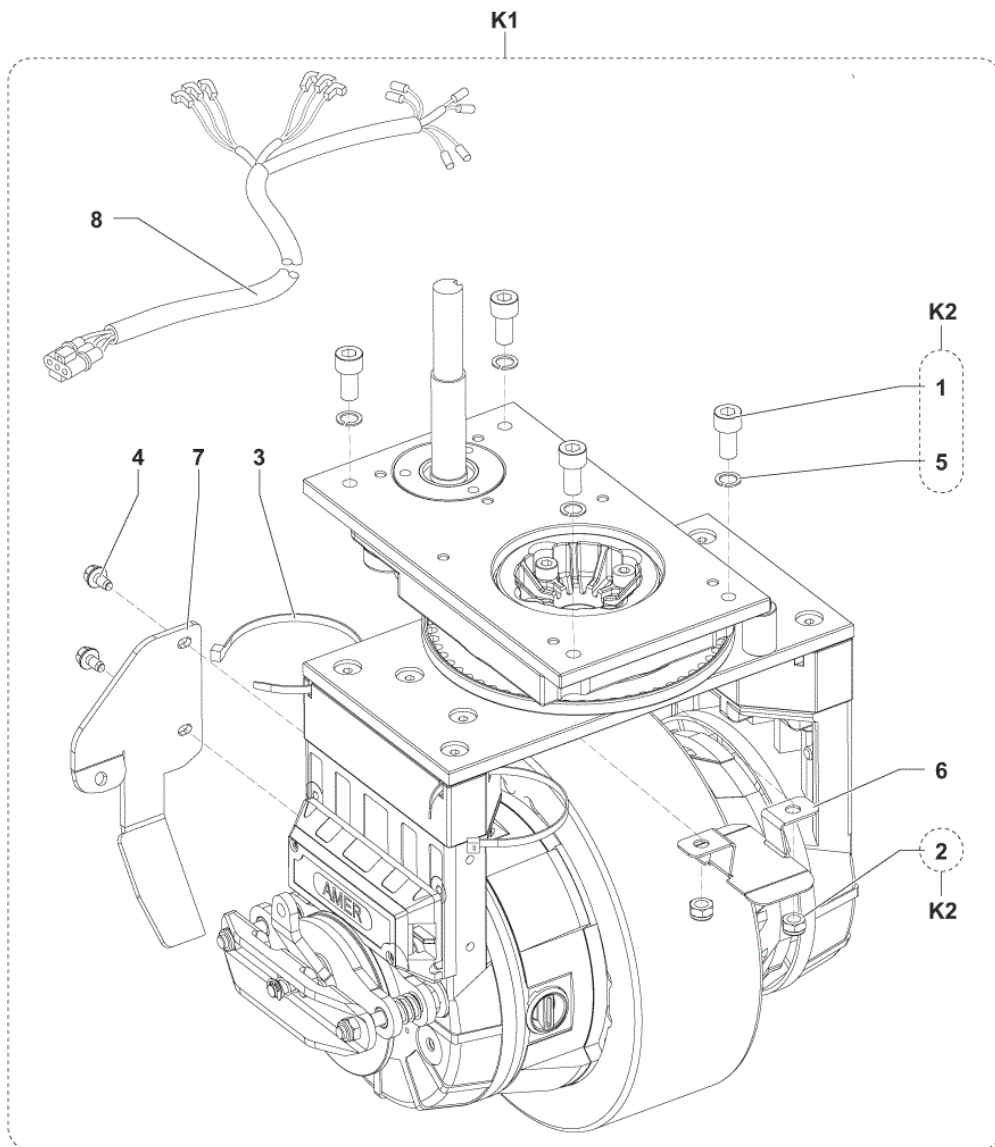
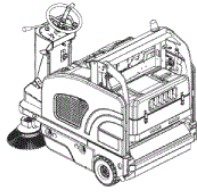
Pos.	Vare-nr	Antal	Beskrivelse	Notes
1		4	K1	
2		8	K2	
3		4	K2	
4		4	K1	
5		4	K2	
6		4	K1	
7	33009531	2	HængselK2	
8	1467028000	1	SEAT SIP	
9	1464788000	1	SUPPORT SEAT BLUE	
10	1464975000	1	COVER HARNESS	
11	1464286000	1	BAR SAFETY F SEAT BONNET	
12		1	K3	
13		4	K3	
K1	1465043000	1	HARDWARE FOR SEAT KIT	
K2	1465041000	1	HINGE FOR BONNET KIT	
K3	1465042000	1	SUPPORT F SAFETY BAR KIT	



Pos.	Vare-nr	Antal	Beskrivelse	Notes
1		18	K3	
2		8	K1-K2	
3		1	K1	
4		6	K3	
5	1464354000	2	GRID VENTING	
6		1	K2	
7	1464797000	1	HATCH RIGHT SIDE BLACK	[1]
8	1467109000	2	LOCK WITH KEY F HATCH SIP	
9	1464796000	1	HATCH LEFT SIDE BLACK	[1]
10	1467041000	4	LOCK SIP	
11	1467057000	1	KEY HEX 10MM MALE PKD	
K1	1464926000	1	COVER RIGHT BLUE KIT	
K2	1464924000	1	COVER LEFT BLUE KIT	
K3	1465044000	1	PLATE FOR PANEL FIXING KIT	

Part Notes:

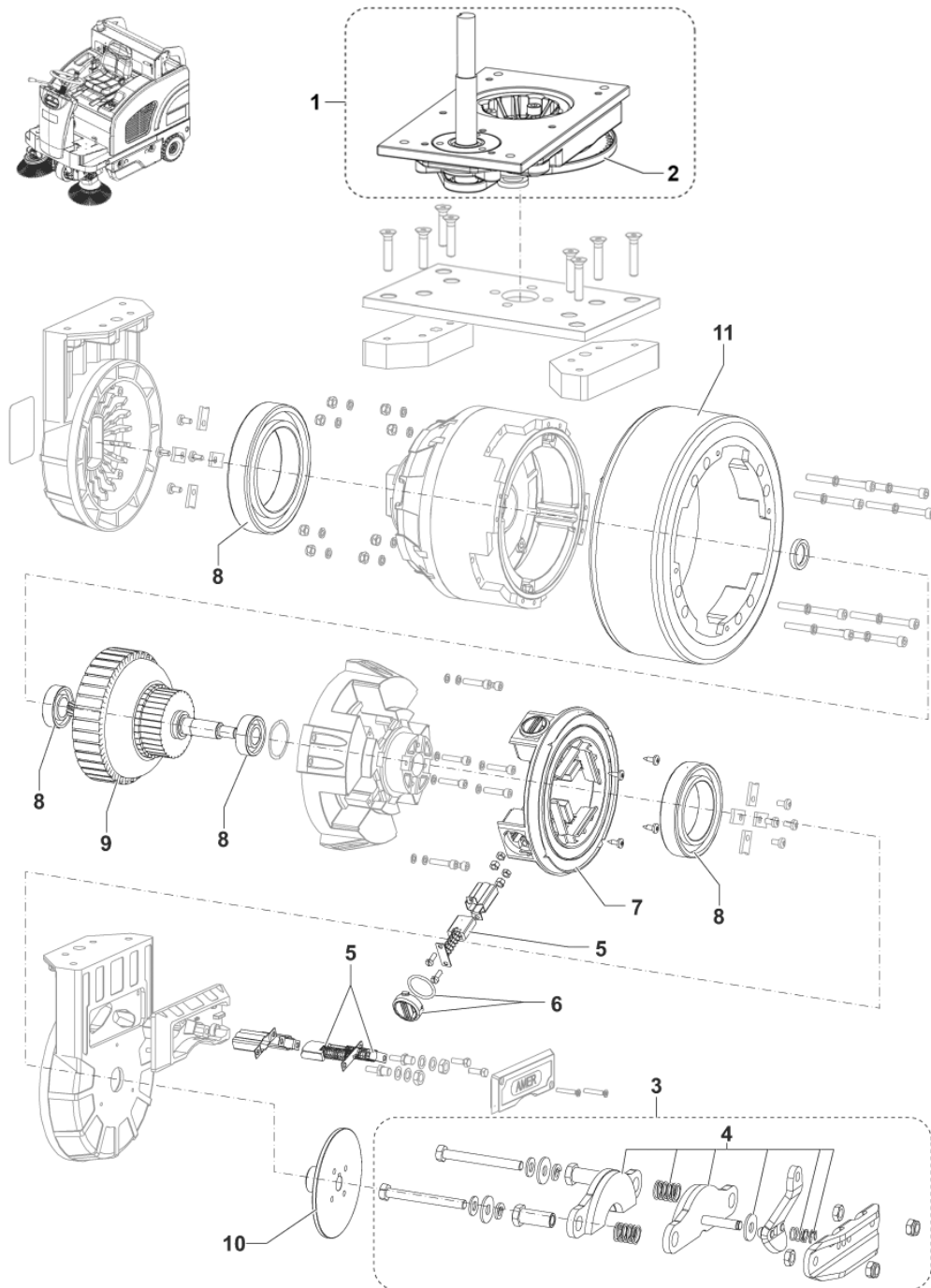
[1] - NOT FOR SALE VIA EDC



Pos.	Vare-nr	Antal	Beskrivelse	Notes
1		4	K2	
2		2	K2	
3		6	K1	
4		2	K1	
5		4	K2	
6	1464600000	1	CASING TRACTION WHEEL HARNESS PROTECTION	
7	1465342000	1	BRACKET BRAKE CABLE	
8	1467455000	1	HARNESS TRACTION WHEEL KIT	
K1	1464913000	1	MOTORWHEEL KIT	
K1	1465170000	1	WHEEL TRACTION NON MARKING KIT	[1]
K2	1465045000	1	HARDWARE STEERING SYSTEM FIXING KIT	

## Part Notes:

[1] - OPTIONAL

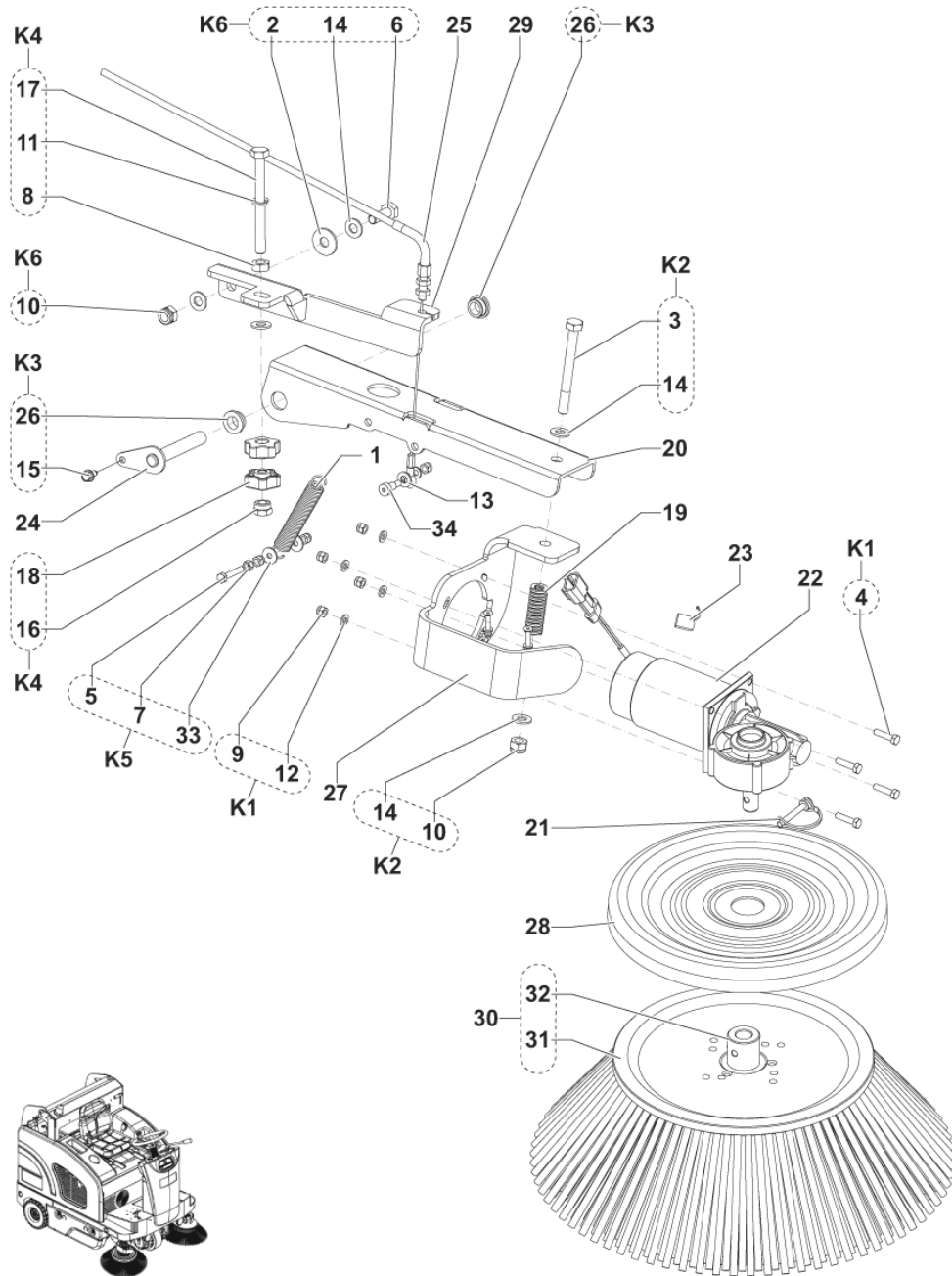


Pos.	Vare-nr	Antal	Beskrivelse	Notes
1	1464834000	1	STEERING SYSTEM	
2	1465133000	1	CHAIN FOR STEERING	
3	1464804000	1	CALIPER BRAKE COMPLETE KIT	
4	1464805000	1	PADS BRAKE KIT	
5	9096960000	1	Brush Carbon Kit	
6	9096969000	4	CAP WITH GASKET	
7	9096968000	1	RING CARBON BRUSHES HOLDER	
8	9096959000	1	BEARING BALL KIT	
9	1465182000	1	ARMATURE	
10	1464803000	1	DISC BRAKE	
11	1465314000	1	RING FOR MOTORWHEEL KIT	
11	1464955000	1	Trækjul, sværtefrie	[1]

## Part Notes:

[1] - OPTIONAL - INST. INSTR. 1465241000

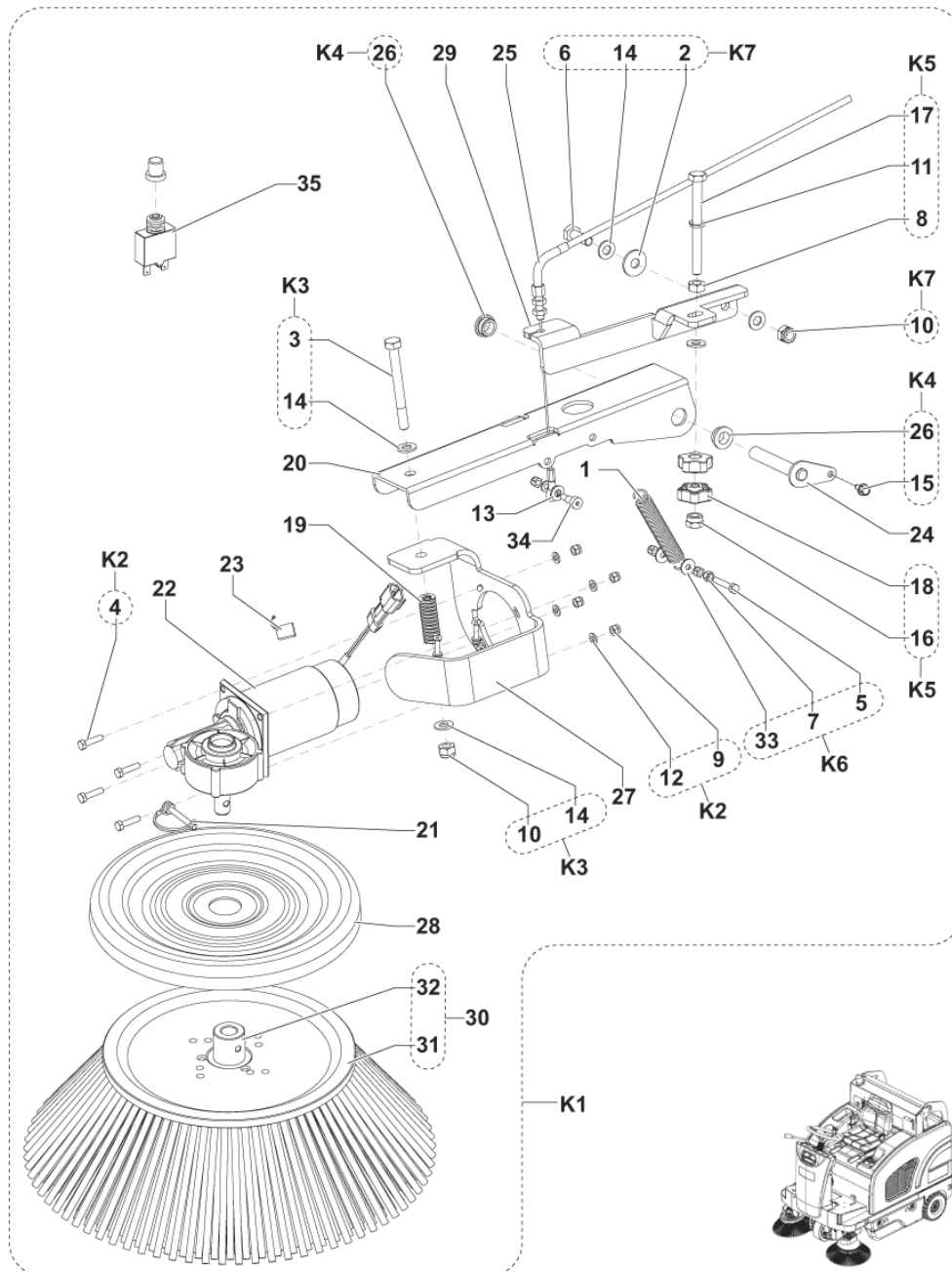




Pos.	Vare-nr	Antal	Beskrivelse	Notes
1	146 0986 000	1	Fjeder Venstre Sidebørste Sr 1300 H	
2		1	K6	
3		1	K2	
4		4	K1	
5		1	K5	
6		1	K6	
7		1	K5	
8		1	K4	
9		7	K1	
10		2	K6	
11		1	K4	
12		5	K1	
13	33023208	1	WASHER M8 UNI6592 10 PCS SET	
14		5	K2	
15		1	K3	
16		1	K4	
17		1	K4	
18		2	K4	
19	146 1317 000	1	SPRING COMPR. D.E. 18.5 YELLOW ISO10243	
20	1463903000	1	LEVER SIDE BROOM LIFTING	
21	1463960000	1	Clip With Pin	
22	1464241000	1	GEARMOTOR FOR RIGHT SIDE BROOM	
23	1467083000	1	CARBON BRUSH 2 PCS SET	
24	1464412000	1	PIN FOR SIDE BROOM ARM	
25	1464414000	1	CABLE RIGHT SIDE BROOM	
26		2	K3	
27	1464464000	1	BRACKET FOR RIGHT SIDE BROOM	
28	1464499000	1	COVER SIDE BROOM	
29	1464507000	1	BRACKET RIGHT SIDE BROOM ADJUSTMENT	
30	1465318000	1	Sidekost stål mix (PPL 1,3 stål 0,5)	
30	1465320000	1	Sidekost (PPL 1,0 sort)	[1]
30	1465319000	1	Sidekost Mix 5	[1]
31		1	30	
32	1464843000	1	HUB FOR SIDE BROOM	
33		2	K5	
34	1464243000	1	SCREW SHOULDER 8X12 M6 ISO7379	
K1	1465046000	1	HARDWARE GEARMOTOR KIT	
K2	1465047000	1	HARDWARE GEARMOTOR SUPPORT KIT	
K3	1465048000	1	PIN FOR SIDE BROOM SUPPORT KIT	
K4	1465049000	1	KNOB SIDE BROOM KIT	
K5	1465050000	1	HARDWARE SIDE BROOM SPRING SUPPORT KIT	
K6	1465051000	1	HARDWARE SIDE BROOM ADJ. BRACKET KIT	

Part Notes:

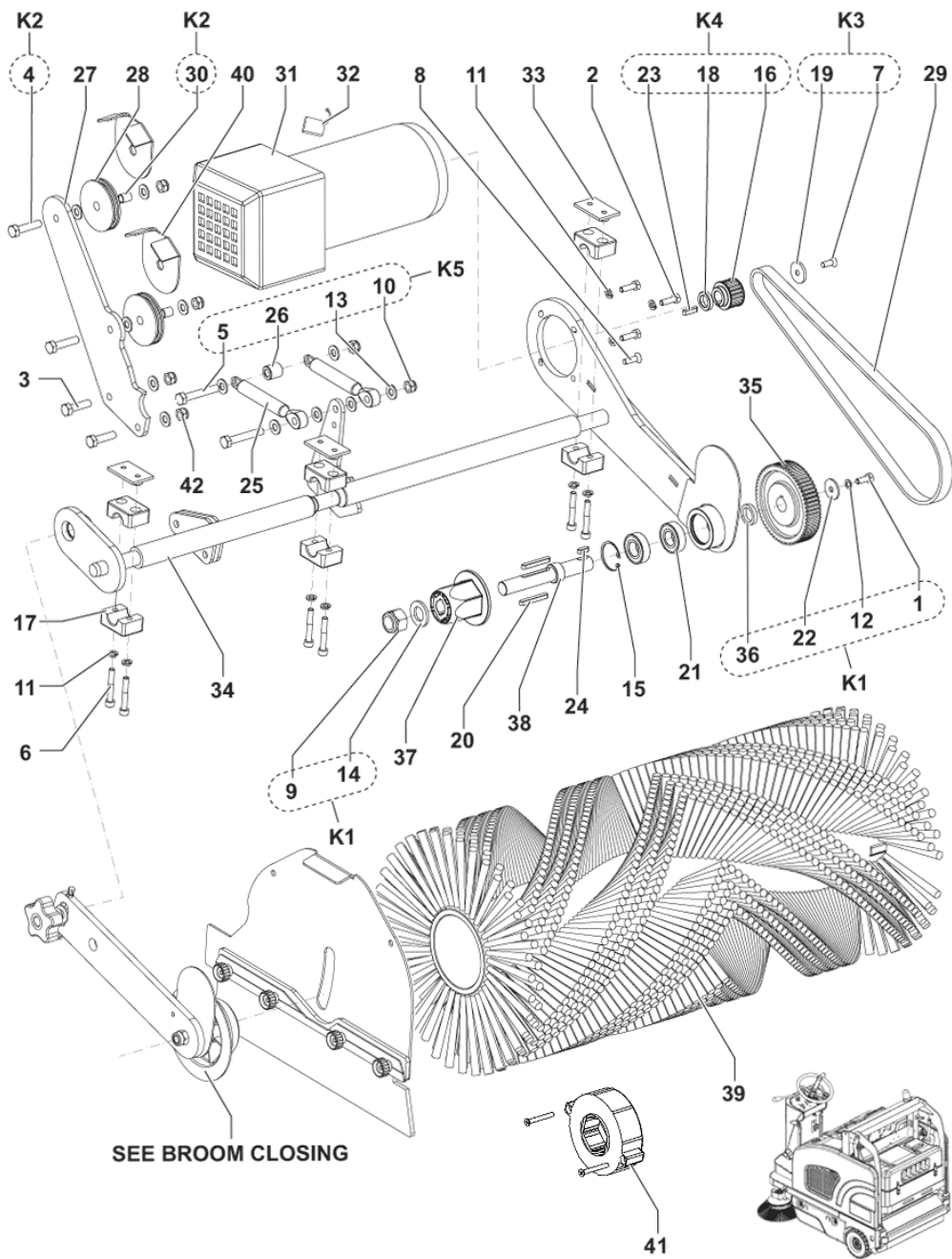
[1] - OPTIONAL



Pos.	Vare-nr	Antal	Beskrivelse	Notes
1	146 0986 000	1	Fjeder Venstre Sidebørste Sr 1300 H	
2		1	K7	
3		1	K3	
4		4	K2	
5		1	K6	
6		1	K7	
7		1	K6	
8		1	K5	
9		7	K2	
10		2	K3-K7	
11		1	K5	
12		5	K2	
13	33023208	1	WASHER M8 UNI6592 10 PCS SET	
14		5	K3-K7	
15		1	K4	
16		1	K5	
17		1	K5	
18		2	K5	
19	146 1317 000	1	SPRING COMPR. D.E. 18.5 YELLOW ISO10243	
20	1463903000	1	LEVER SIDE BROOM LIFTING	
21	1463960000	1	Clip With Pin	
22	1464242000	1	Gearmotor venstre sidebørste	
23	1467083000	1	CARBON BRUSH 2 PCS SET	
24	1464412000	1	PIN FOR SIDE BROOM ARM	
25	1464415000	1	CABLE LEFT SIDE BROOM	
26		2	K4	
27	1464500000	1	Beslag til venstre sidebørste	
28	1464499000	1	COVER SIDE BROOM	
29	1464427000	1	BRACKET LEFT SIDE BROOM ADJUSTMENT	
30	1465318000	1	Sidekost stål mix (PPL 1,3 stål 0,5)	
30	1465320000	1	Sidekost (PPL 1,0 sort)	[1]
30	1465319000	1	Sidekost Mix 5	[1]
31		1	30	
32	1464843000	1	HUB FOR SIDE BROOM	
33		2	K6	
34	1464243000	1	SCREW SHOULDER 8X12 M6 ISO7379	
35	1464336000	1	CIRCUIT BREAKER 15A	
K1	1464946000	1	Sidekost kit venstre stål mix	[2]
K2	1465046000	1	HARDWARE GEARMOTOR KIT	
K3	1465047000	1	HARDWARE GEARMOTOR SUPPORT KIT	
K4	1465048000	1	PIN FOR SIDE BROOM SUPPORT KIT	
K5	1465049000	1	KNOB SIDE BROOM KIT	
K6	1465050000	1	HARDWARE SIDE BROOM SPRING SUPPORT KIT	
K7	1465051000	1	HARDWARE SIDE BROOM ADJ. BRACKET KIT	

Part Notes:

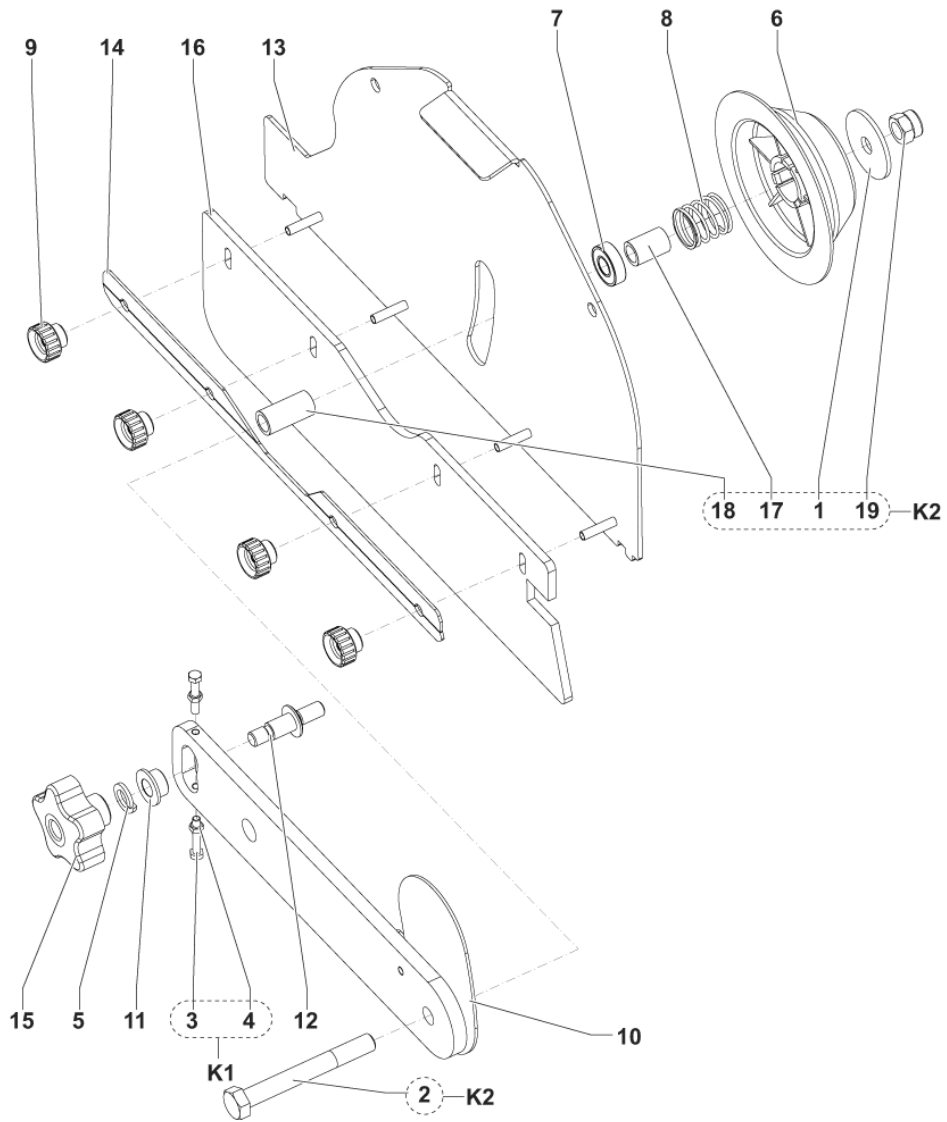
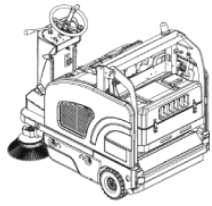
- [1] - OPTIONAL
- [2] - OPTIONAL - INSTALLATION INSTRUCTION REF. 1465242000



Pos.	Vare-nr	Antal	Beskrivelse	Notes
1		1	K1	
2	33023470	1	SCREW M6X20 HEX HD ISO4017 10 PCS SET	
3	33003996	2	Screw Te 8X30	
4		2	K2	
5		2	K5	
6	33004350	6	SCREW M6X40 CAP HD HEX SOCK ISO4762	
7		1	K3	
8	33004578	1	Screw Tpsei 6X20	
9		1	K1	
10		6	K5	
11	33005851	9	Skive M6 Uni1751B	
12		1	K1	
13		12	K5	
14		1	K1	
15	33006165	1	RING D 35 UNI7437	
16		1	K4	
17	1466733000	3	CLAMP PIPE FIXING D.18 -PAIR- SIP	
18		1	K4	
19		1	K3	
20	145 8011 000	2	Key 3Hp	
21	1467030000	2	BEARING BALL 6003 2RS SIP	
22		1	K1	
23		1	K4	
24	146 1017 000	1	KEY 5X5X15 UNI6604A	
25	1463358000	2	SPRING GAS 40KG	
26		1	K5	
27	1466157000	1	BRACKET PULLEYS SUPPORT SIP	
28	1464239000	2	PULLEY BROOM LEVER	
29	1464266000	1	BELT HTD 825-5M	
30		2	K2	
31	1467562000	1	MOTOR MAIN BROOM 24V 600W SIP	
32	L08603949	1	Kul Kit 4 Stk	
33	1464983000	3	PLATE FOR COLLAR	
34	1464986000	1	SHAFT MAIN BROOM	
35	1466139000	1	PULLEY HTD KIT	
36		1	K1	
37	1467056000	1	HUB MAIN BROOM PKD	
38	1466079000	1	PIN MAIN BROOM SIP	
39	1463913000	1	Fejevalse Chevron 6R PPL 0,8 gul	
39	1463854000	1	Fejevalse Chevron 6R Mix 5	[1]
39	1464947000	1	Fejevalse Chevron 6R stålmix	[1]
40	1466144000	1	BRACKET PROTECTION PULLEYS KIT	[2]
41	1467525000	1	HUB CPL F MAIN BROOM KIT	[3]
42	33023574	1	NUT LOCK HEX M8 ISO10511 PCS 10 SET	
K1	1465052000	1	HARDWARE MAIN BROOM HUB KIT	
K2	1465053000	1	HARDWARE MAIN BROOM PULLEY KIT	
K3	1465054000	1	HARDWARE MAIN BR. MOTOR PULLEY KIT	
K4	1465055000	1	PULLEY MAIN BR. MOTOR KIT	
K5	1465056000	1	HARDWARE FOR GAS SPRING KIT	

Part Notes:

- [1] - OPTIONAL
- [2] - INSTALLATION INSTRUCTIONS: 1466145000
- [3] - FOR ALL MAIN BROOMS: 1463913000 - 1463854000 - 1464947000



# BROOM CLOSING

FLOORTEC R 870 B ALT

2015.05.19

2016.08.04

Pos.	Vare-nr	Antal	Beskrivelse	Notes
1		1	K2	
2		1	K2	
3		2	K1	
4		2	K1	
5	33006010	1	WASHER M12 UNI1751B	
6	1467023000	1	HUB LEFT MAIN BROOM PKD	
7	44905699	1	BEARING BALL 6001 2RS PKD	
8	1467024000	1	SPRING PKD	
9	1466374000	4	KNOB KNURLED M6 FEMALE SIP	
10	1464180000	1	LEVER MAIN BROOM SUPPORT	
11	1464181000	1	BUSHING SUPPORT LEVER	
12	1464182000	1	PIN MAIN BROOM ARM	
13	1464183000	1	HATCH MAIN BROOM	
14	1464278000	1	PLATE SIDE KIRT FIXING	
15	1464476000	1	KNOB LOBES M10 F. W/YELLOW CAP	
16	1465396000	1	SKIRTS KIT	
16	1464951000	1	Sværefrit skørt kit (side, bag, for)	[1]
17		1	K2	
18		1	K2	
19		1	K2	
K1	1465057000	1	HARDWARE MAIN BROOM LEVER SUPPORT KIT	
K2	1465058000	1	HARDWARE MAIN BROOM IDLE HUB KIT	

Part Notes:

[1] - OPTIONAL

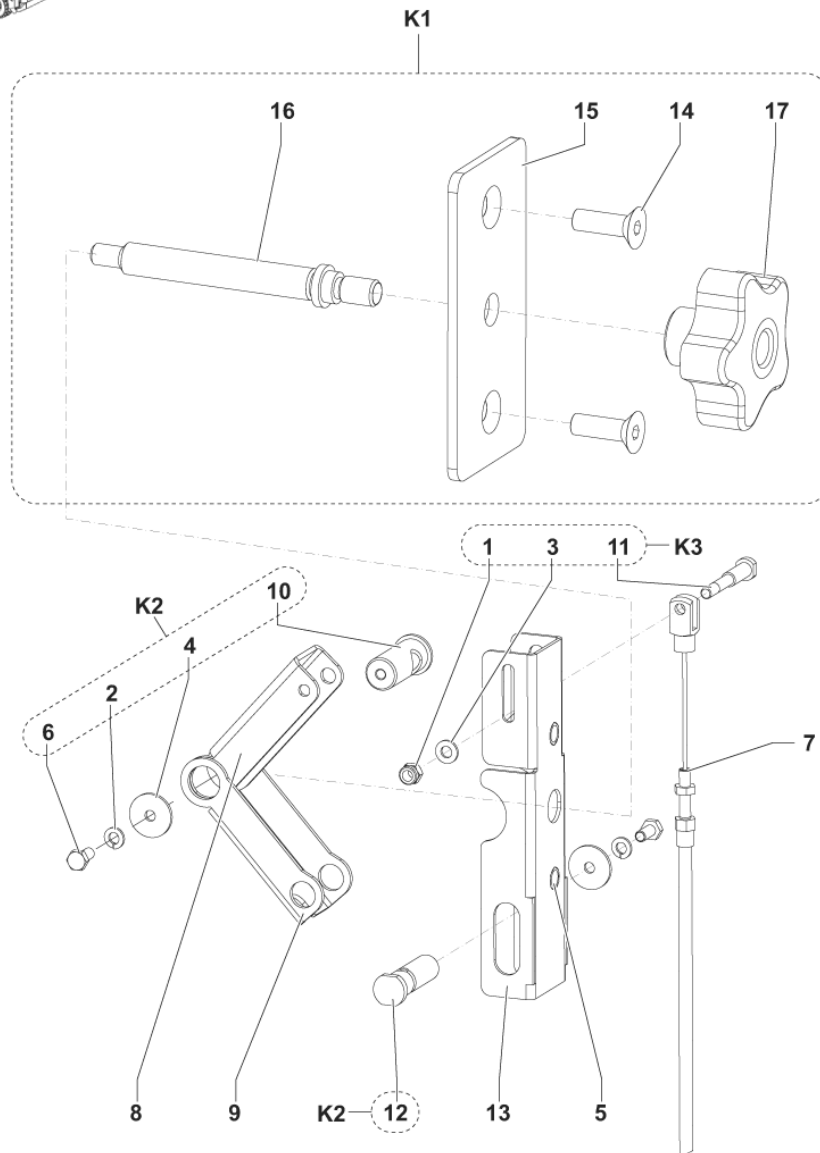
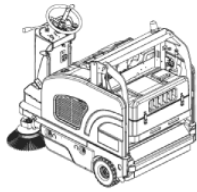


# MAIN BROOM ADJUSTMENT

FLOORTEC R 870 B ALT

2015.05.19

2014.01.10



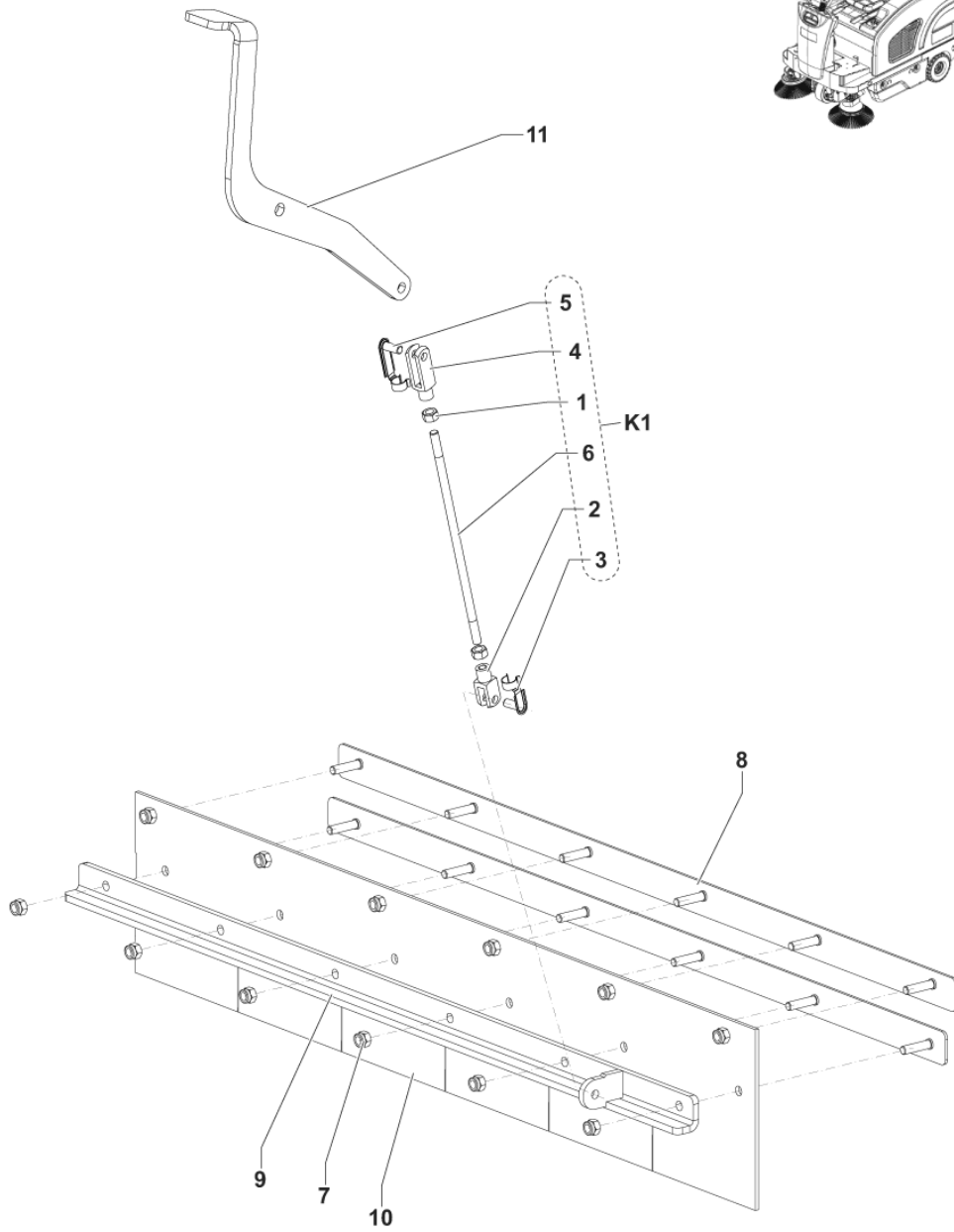
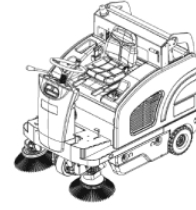
# MAIN BROOM ADJUSTMENT

FLOORTEC R 870 B ALT

2015.05.19

2014.01.10

Pos.	Vare-nr	Antal	Beskrivelse	Notes
1		1	K3	
2		2	K2	
3		1	K3	
4		2	K2	
5	145 4773 000	2	INSERT M8	
6		2	K2	
7	1464413000	1	CABLE MAIN BROOM	
8	1464449000	1	BRACKET UPPER MAIN BROOM SETTING	
9	1464450000	1	BRACKET LOWER MAIN BROOM SETTING	
10		1	K2	
11		1	K3	
12		1	K2	
13	1464462000	1	BRACKET GUIDE MAIN BROOM SETTING	
14		2	K1	
15		1	K1	
16		1	K1	
17	1464476000	1	KNOB LOBES M10 F. W/YELLOW CAP	
K1	1464914000	1	BROOM MAIN ADJUST. KIT	
K2	1465059000	1	BROOM MAIN ADJUST. KIT	
K3	1465060000	1	CABLE MAIN BROOM FIXING KIT	



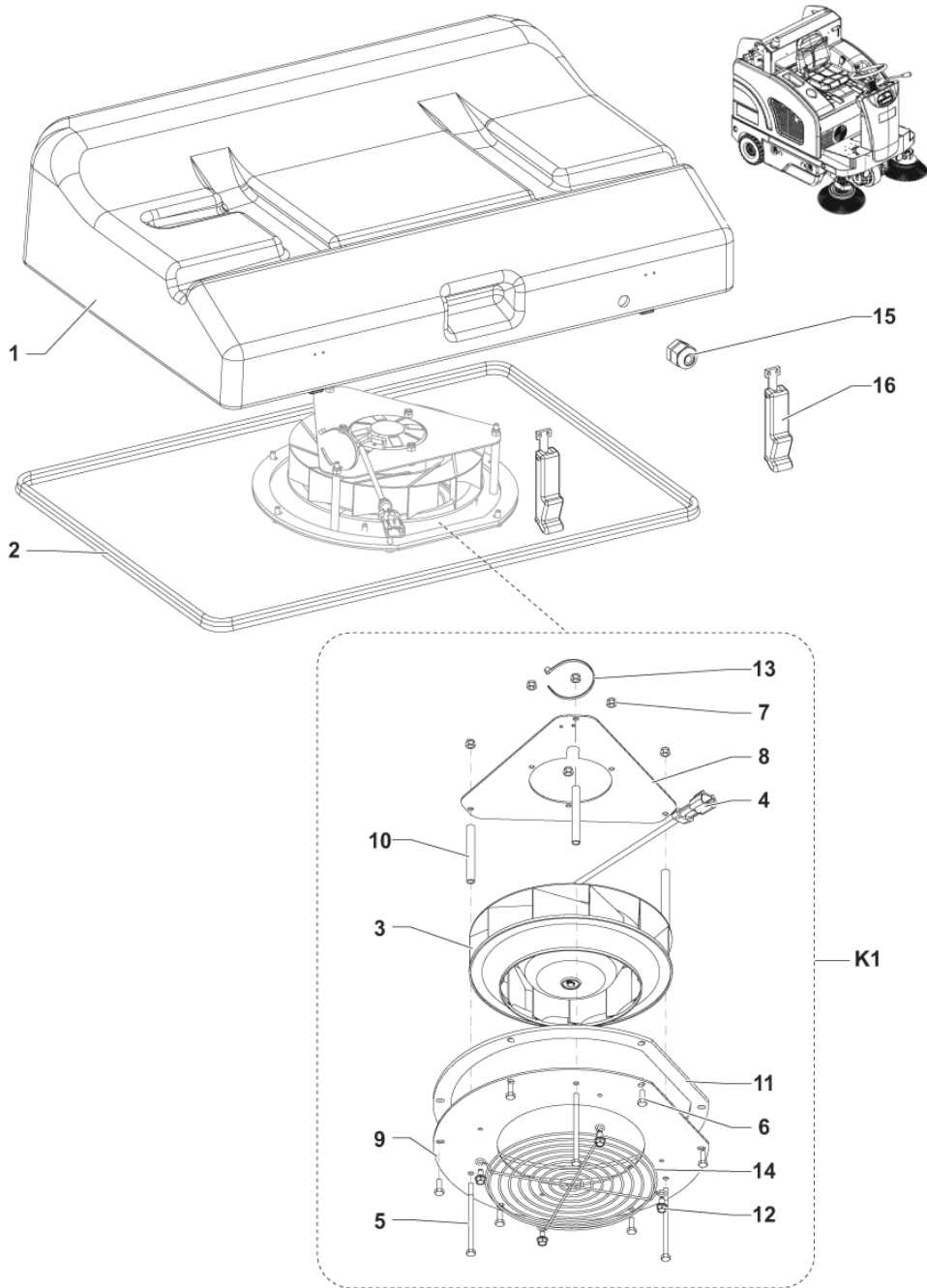
# FRONT LIFT FLAP

FLOORTEC R 870 B ALT

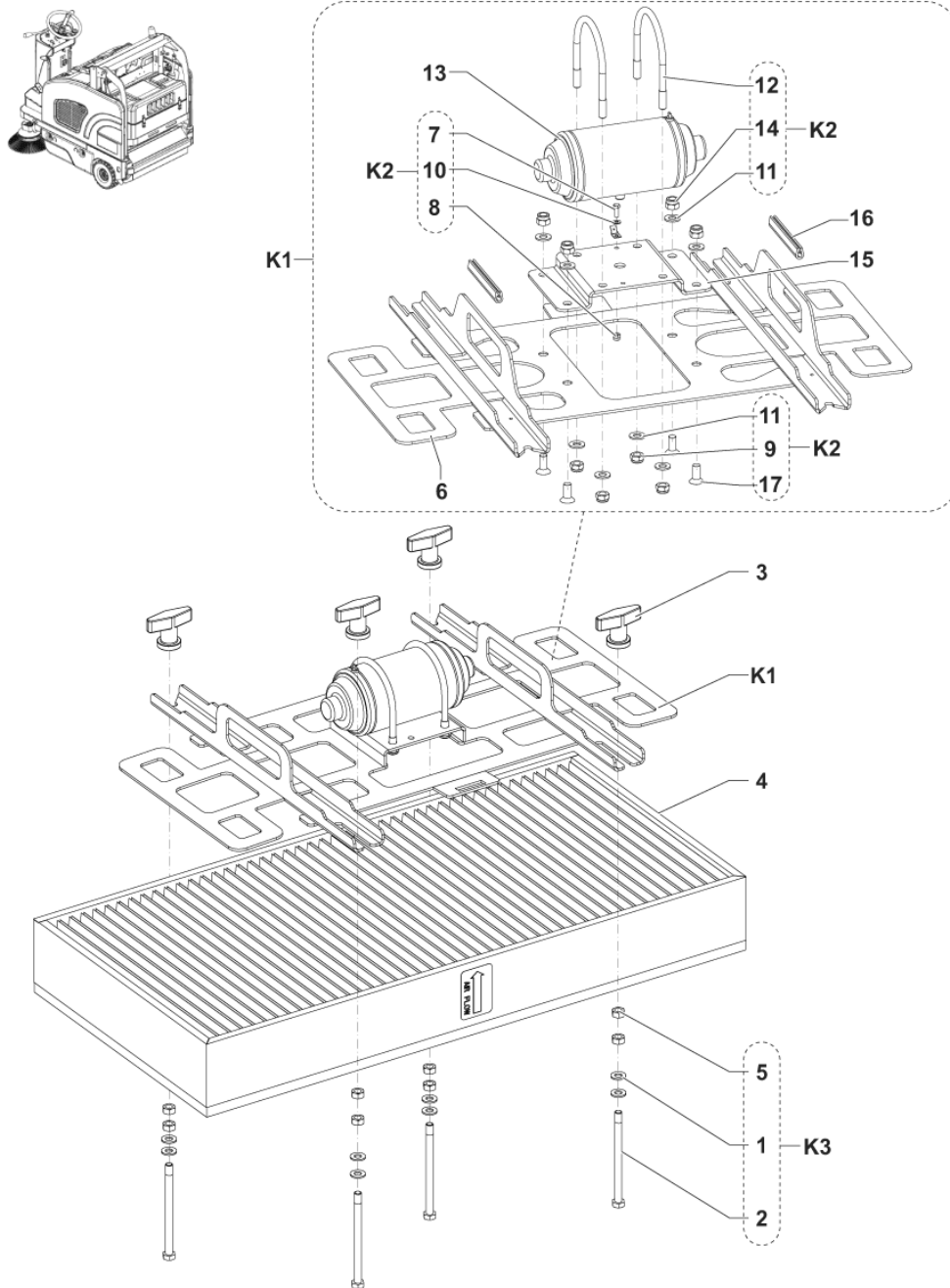
2015.05.19

2016.08.04

Pos.	Vare-nr	Antal	Beskrivelse	Notes
1		2	K1	
2		1	K1	
3		1	K1	
4		1	K1	
5		1	K1	
6		1	K1	
7	33023469	2	NUT LOCK HEX M6 ISO7040 10 PCS SET	
8	1463916000	2	PLATE FRONT SKIRT	
9	1464337000	1	FLAP METAL FRONT	
10	1464497000	1	SKIRT FRONT	
11	1464185000	1	Pedal	
K1	1464921000	1	ROD FOR FLAP KIT	



Pos.	Vare-nr	Antal	Beskrivelse	Notes
1	1464786000	1	CONTAINER VACUUM MOTOR BLUE	
2	1464198000	1	GASKET BULB RUBBER L.2200MM PKD	
3	1467040000	1	FAN RADIAL 24V SIP	
4		1	K1	
5		3	K1	
6		6	K1	
7		6	K1	
8		1	K1	
9		1	K1	
10		3	K1	
11		1	K1	
12		4	K1	
13		1	K1	
14		1	K1	
15	146 1892 000	1	CLAMP CABLE	
16	1467042000	4	LATCH RUBBER SIP	
K1	1464927000	1	FAN RADIAL 24V KIT	



Pos.	Vare-nr	Antal	Beskrivelse	Notes
1		8	K3	
2		4	K3	
3	9098257000	4	Nut Thumb Squeegee Fixing	
4	1464189000	1	Panelfilter papir Ultra Web blå	
4	1464839000	1	Panelfilter polyester Ultra Web blå	[1]
4	1465402000	1	Panelfilter papir fint støv	[1]
4	1465403000	1	Panelfilter polyester fint støv	[1]
5		8	K3	
6		1	K1	
7		1	K2	
8		1	K2	
9		4	K2	
10		1	K2	
11		8	K2	
12		2	K2	
13	145 5539 000	1	Filterryster motor	
14		4	K2	
15		1	K1	
16		2	K1	
17		4	K2	
K1	1464918000	1	SHAKER FILTER KIT	
K2	1465061000	1	HARDWARE SHAKER FIXING KIT	
K3	1465062000	1	HARDWARE FILTER PLATE FIXING KIT	

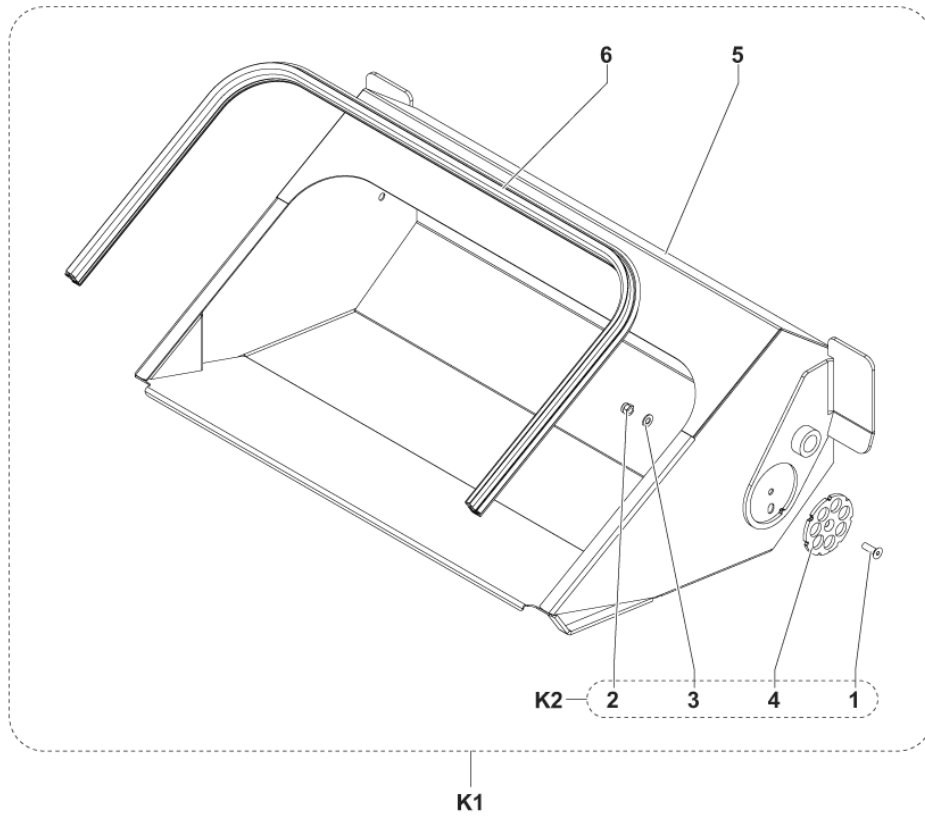
Part Notes:

[1] - OPTIONAL





Pos.	Vare-nr	Antal	Beskrivelse	Notes
1		4	K1	
2		2	K1	
3	33005533	4	Nut M8	
4		2	K1	
5	1464159000	1	ARM LIFTING HOPPER WASTE	
6		1	K1	
7		1	K1	
8		2	K1	
9		2	K1	
10		2	K2	
11	1467047000	4	BUMPER M8 D.40X25MM SIP	
12		2	K2	
13		2	K2	
14		1	K2	
K1	1465063000	1	ARM PRIMARY HOPPER FIXING KIT	
K2	1465064000	1	PIN PRIMARY ARM KIT	



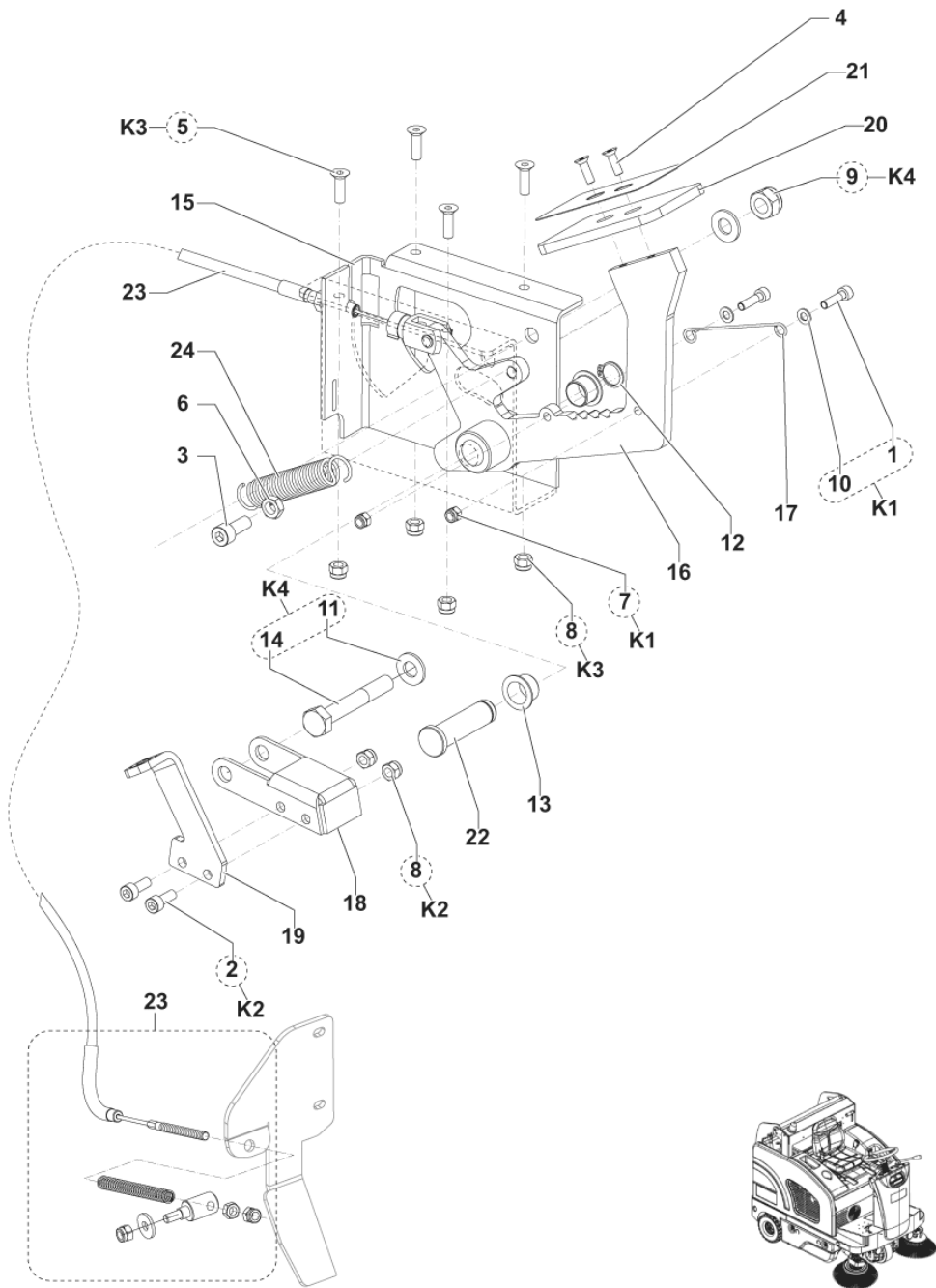
# HOPPER SYSTEM

FLOORTEC R 870 B ALT

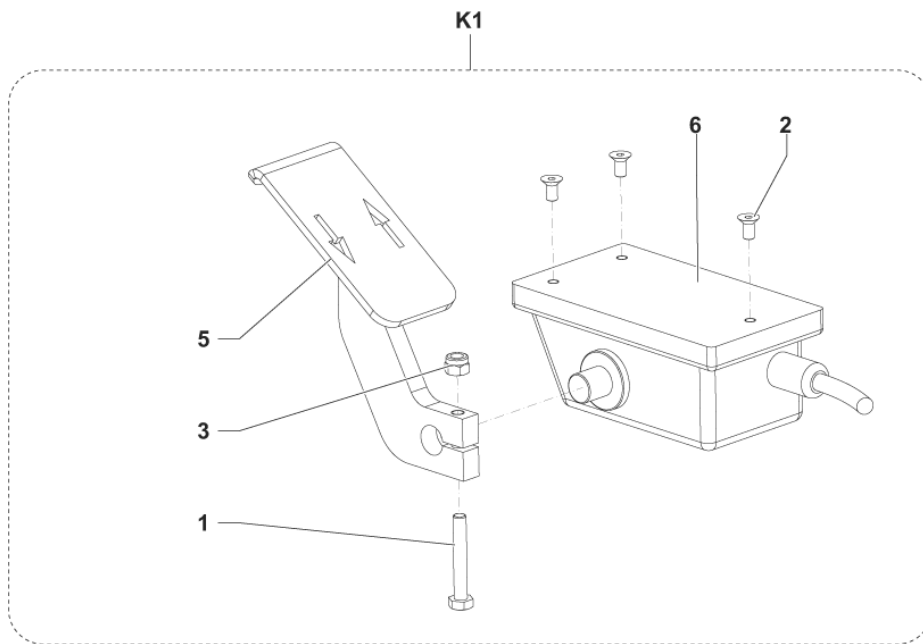
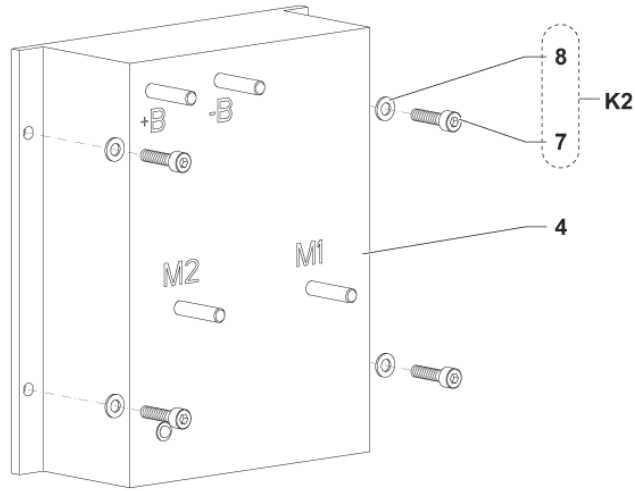
2015.05.19

2014.01.10

Pos.	Vare-nr	Antal	Beskrivelse	Notes
1		1	K2	
2		1	K2	
3		1	K2	
4		1	K2	
5		1	K1	
6	1464535000	1	GASKET RUBBER L.1430MM PKD	
K1	1464917000	1	HOPPER WASTE KIT	
K2	1465065000	1	FLANGE HOPPER SETTING KIT	



Pos.	Vare-nr	Antal	Beskrivelse	Notes
1		2	K1	
2		2	K2	
3	33004365	1	SCREW M8X20 CAP HD HEX SOCK ISO4762	
4	33004563	2	SCREW M5X16 C/SUNK FLAT HD HEX ISO10642	
5		4	K3	
6	33005533	1	Nut M8	
7		2	K1	
8		6	K3	
9		1	K4	
10		2	K1	
11		2	K4	
12	33006054	1	Ring D 15 Uni7435	
13	146 0903 000	2	BEARING FLANGE IGLIDUR GFM-1517-12	
14		1	K4	
15	1464217000	1	SUPPORT BRAKE	
16	1464218000	1	LEVER BRAKE	
17	1464219000	1	SPRING LOCK BRAKE	
18	1464220000	1	LOCK PARKING BRAKE	
19	1464221000	1	PEDAL LOCK BRAKE	
20	1464222000	1	PLATE BRAKE PEDAL	
21	1464223000	1	MAT ANTI SLIP BRAKE PEDAL	
22	1464224000	1	PIN BRAKE PEDAL	
23	1467456000	1	CABLE BRAKE KIT	
24	1467046000	1	SPRING BRAKE SIP	
K1	1465066000	1	HARDWARE SPRING LOCK BRAKE KIT	
K2	1465067000	1	HARDWARE LOCK BRAKE PEDAL KIT	
K3	1465068000	1	HARDWARE SUPPORT BRAKE KIT	
K4	1465069000	1	HARDWARE LOCK TOOTH KIT	



# ACCELERATOR PEDAL

FLOORTEC R 870 B ALT

2015.05.19

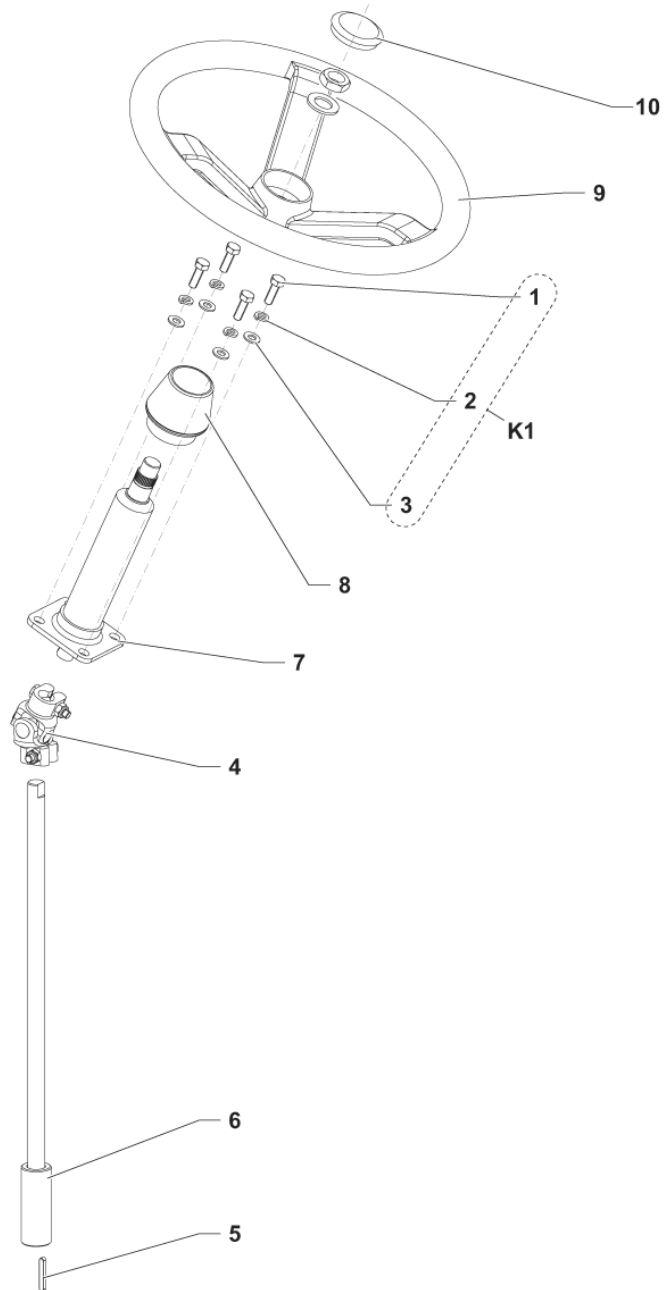
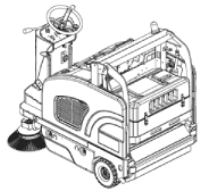
2017.06.15

Pos.	Vare-nr	Antal	Beskrivelse	Notes
1		1	K1	
2		3	K1	
3		1	K1	
4	1466210000	1	CONTROLLER DRIVE WHEEL PKD	
5	1464368000	1	PEDAL THROTTLE	
6	1464425000	1	ACCELERATOR ELECTRONIC	
7		4	K2	
8		4	K2	
9	1466207000	1	PROGRAMMER F ELECTRONIC CARDS PKD	[1]
K1	1464922000	1	ACCELERATOR ELECTRONIC CPL KIT	
K2	1465070000	1	HARDWARE TRACTION BOARD KIT	

## Part Notes:

[1] - NOT SHOWN





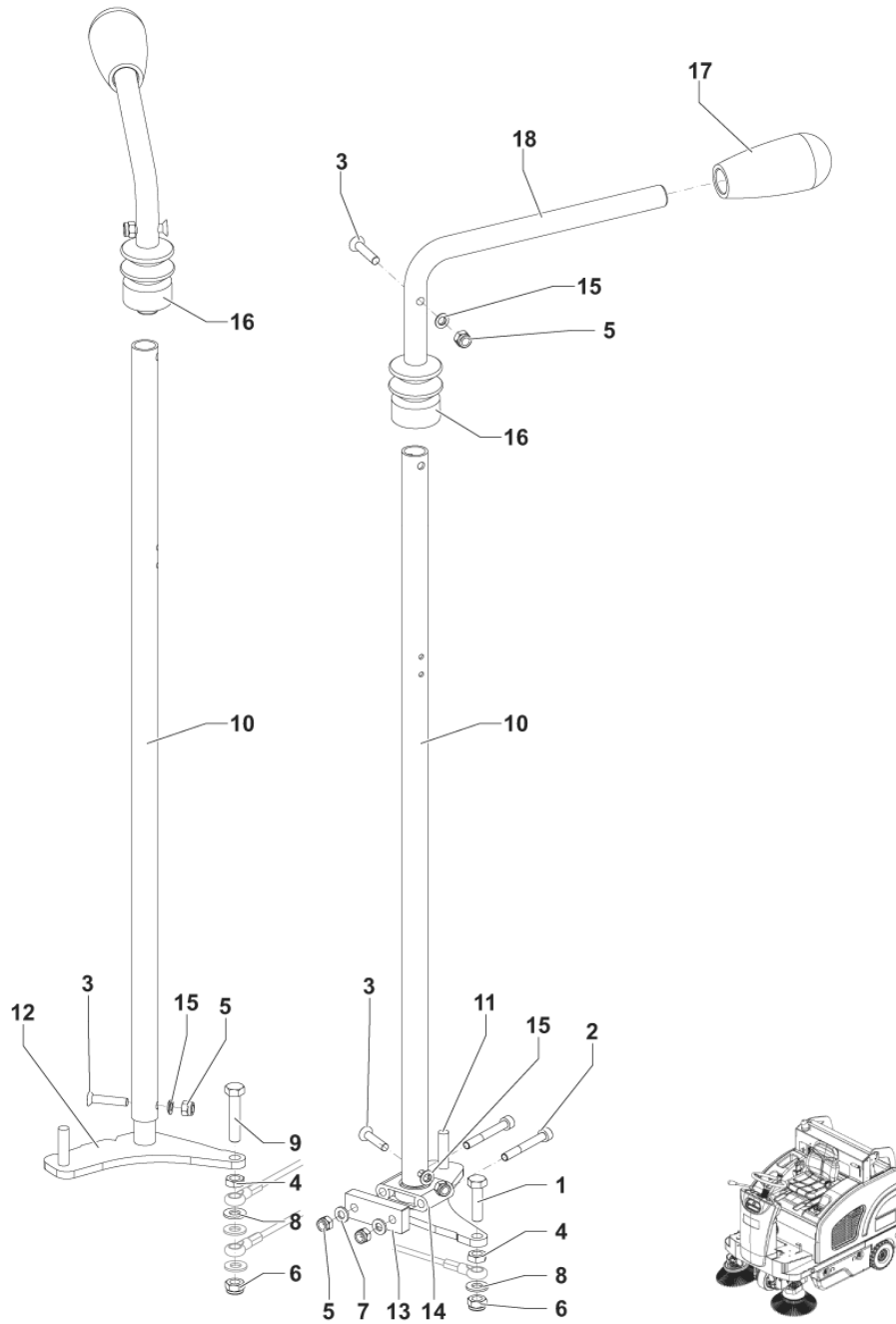
# STEERING COLUMN

FLOORTEC R 870 B ALT

2015.05.19

2016.04.13

Pos.	Vare-nr	Antal	Beskrivelse	Notes
1		4	K1	
2		4	K1	
3		4	K1	
4	1466319000	1	JOINT UNIVERSAL D.17 SIP	
5	146 0830 000	1	KEY 5X5X36 UNI6604A	
6	1463895000	1	SHAFT STEERING	
7	1464136000	1	COLUMN STEERING	
8	1467055000	1	COVER F STEERING COLUMN SIP	
9	1467048000	1	WHEEL STEERING D.362 SIP	
10	1467031000	1	CAP SIP	
K1	1465071000	1	HARDWARE STEERING COLUMN KIT	



# BROOM LEVERS

FLOORTEC R 870 B ALT

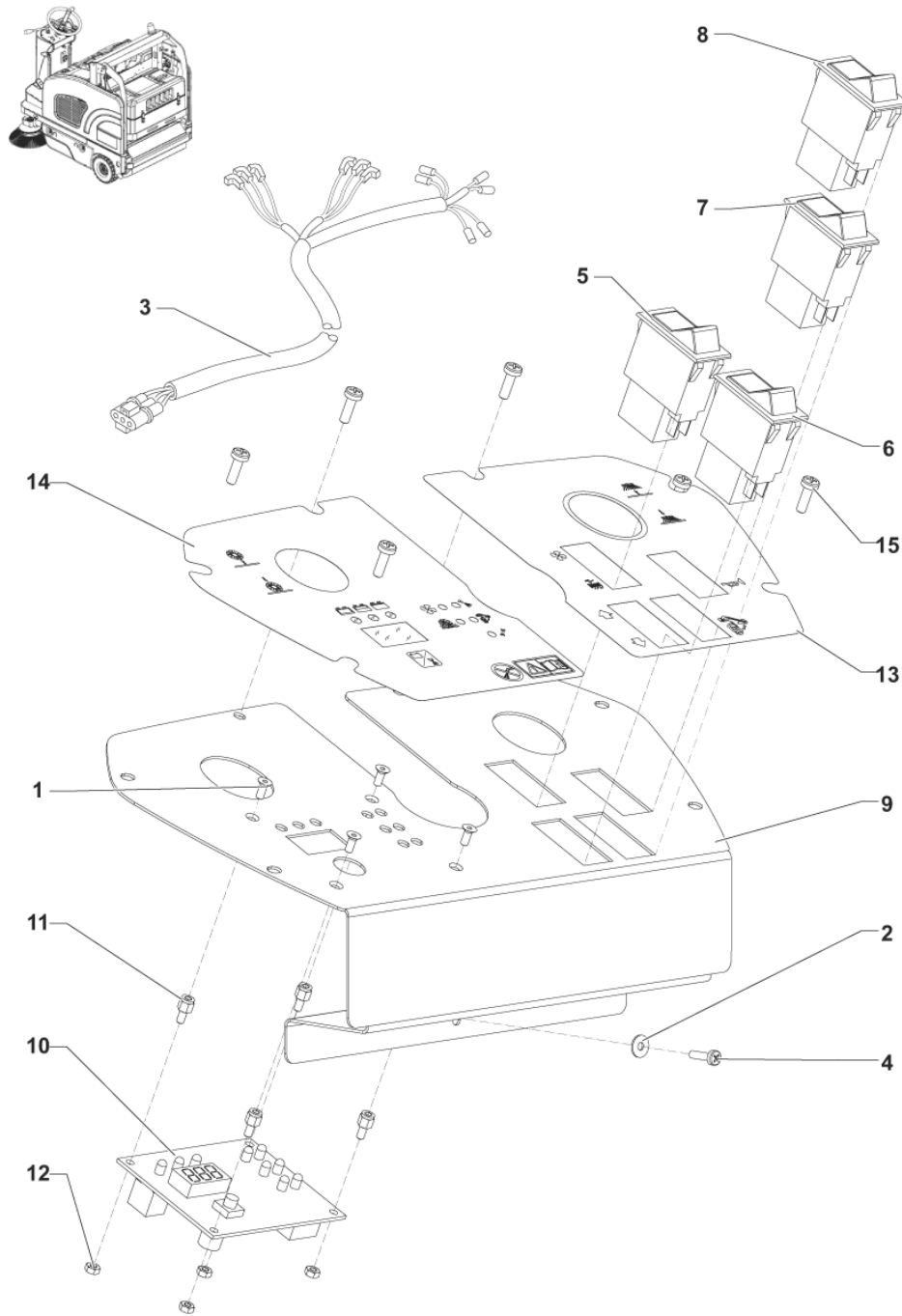
2015.05.19

2015.05.14

Pos.	Vare-nr	Antal	Beskrivelse	Notes
1		1	K1	
2		2	K1	
3		4	K1	
4		2	K1	
5		6	K1	
6		2	K1	
7		2	K1	
8		2	K1	
9		1	K1	
10	1464174000	2	PIPE LEVER EXTENSION	
11	1464175000	1	LEVER MAIN BROOM	
12	1464176000	1	LEVER SIDE BROOM	
13	1465090000	1	PLATE FOR ARTICULATED SUPPORT	
14	1465091000	1	BEARING PILLOW BLOCK	
15		4	K1	
16	146 2456 000	2	BELLOWS RUBBER	
17	1464151000	2	HANDLE LEVER	
18	1464177000	2	LEVER BROOM CONTROL	
K1	1464820000	1	HARDWARE BROOM LEVERS KIT	[1]

## Part Notes:

[1] - NOT SHOWN



# CONTROL PANEL

FLOORTEC R 870 B ALT

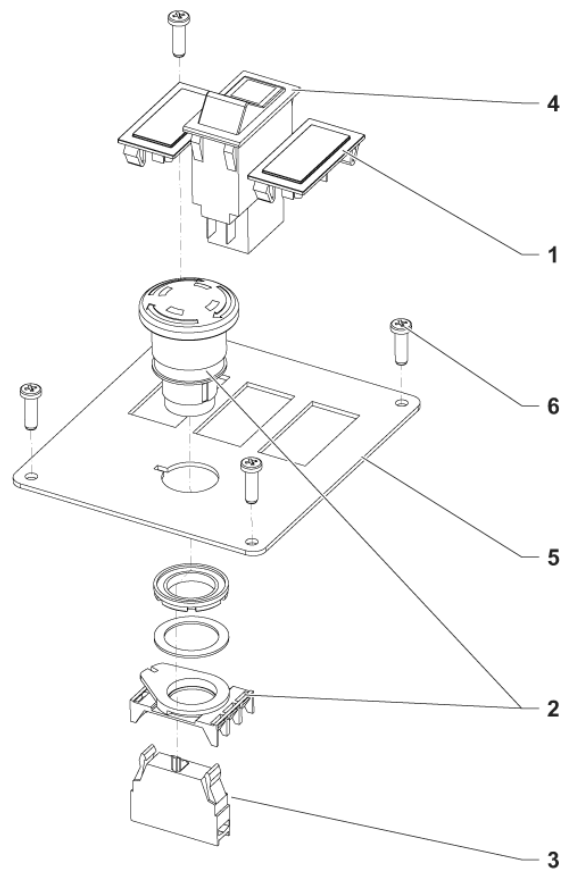
2015.05.19

2015.06.15

Pos.	Vare-nr	Antal	Beskrivelse	Notes
1		4	K1	
2		1	K1	
3	1464340000	1	HARNES CONTROL PANEL	
4		1	K1	
5	146 0846 000	1	Knapp	
6	1465400000	1	SWITCH FW RW KIT	
7	1465399000	1	SWITCH HOPPER LEAD KIT	
8	146 0845 000	1	Kontakt Til Sug Sr1300Hb	
9	1464179000	1	PANEL CONTROL	
10	1466211000	1	CARD ELECTRONIC CONTROL PANEL PKD	
11		4	K1	
12		4	K1	
13	1464614000	1	DECAL CONTROL PANEL RT	
14	1464615000	1	DECAL CONTROL PANEL LT	
15		6	K1	
[K1]	1465072000	1	HARDWARE FOR DISPLAY BOARD KIT	[1]

## Part Notes:

[1] - NOT SHOWN



# CONTROL PANEL COVER

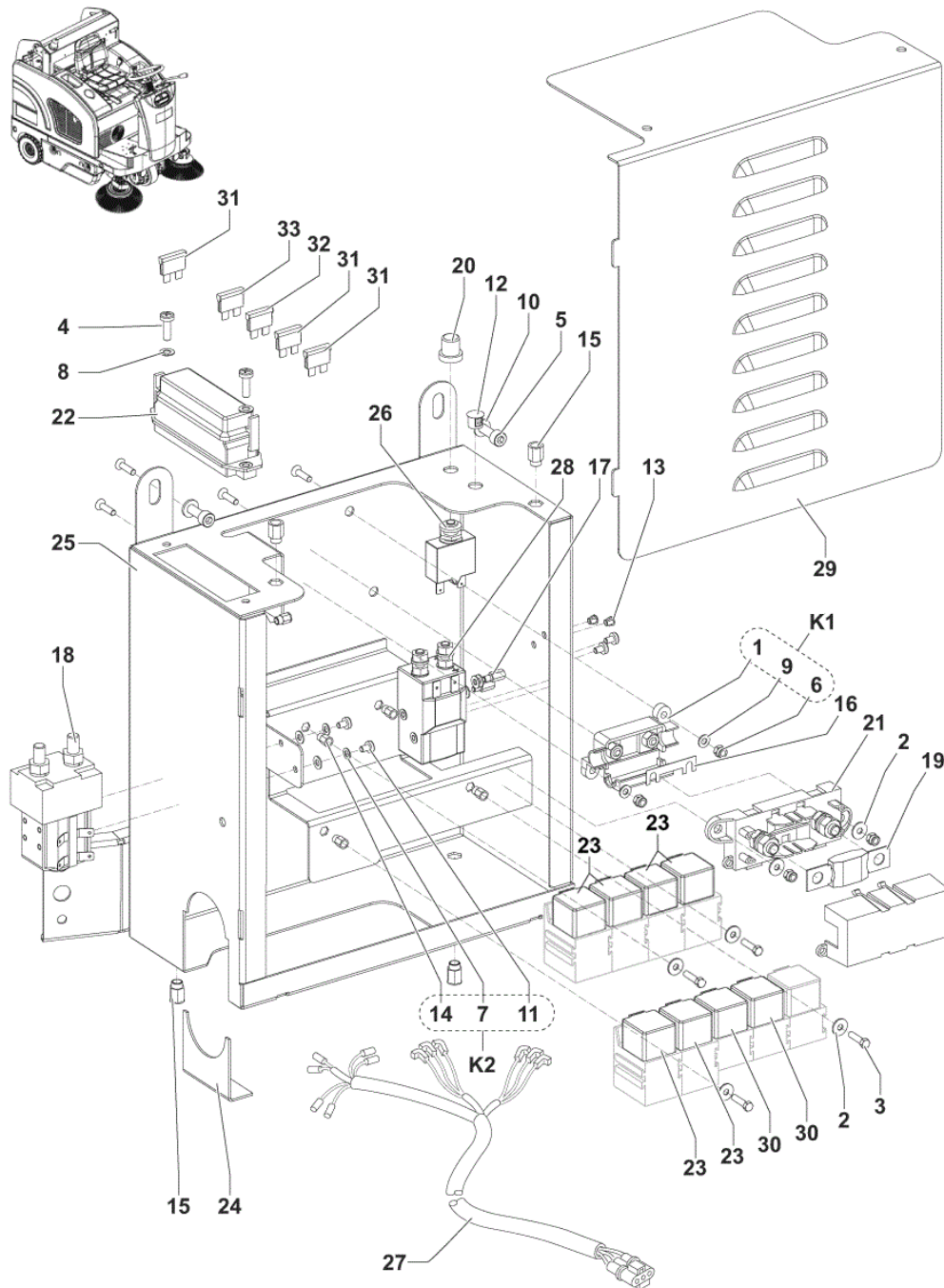
FLOORTEC R 870 B ALT

2015.05.19

2017.01.30

<b>Pos.</b>	<b>Vare-nr</b>	<b>Antal</b>	<b>Beskrivelse</b>	<b>Notes</b>
1	146 1284 000	2	CAP	
2	1466683000	1	SWITCH EMERGENCY KIT	
3	146 1728 000	1	Kontakt	
4	1465398000	1	SWITCH HOPPER RAISING KIT	
5	1464411000	1	PLATE EMERGENCY SWITCH	
6	1465072000	4	HARDWARE FOR DISPLAY BOARD KIT	

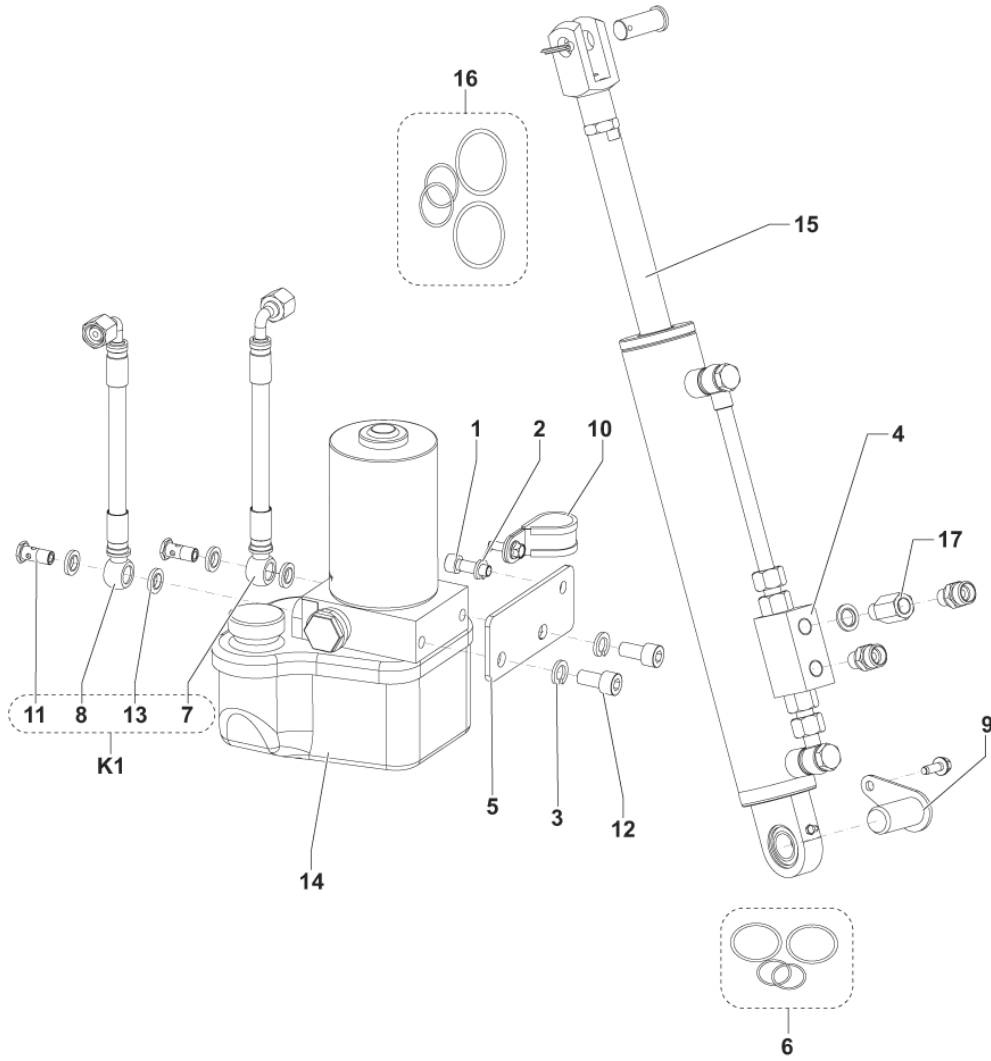
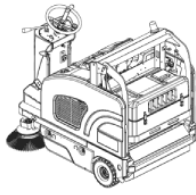




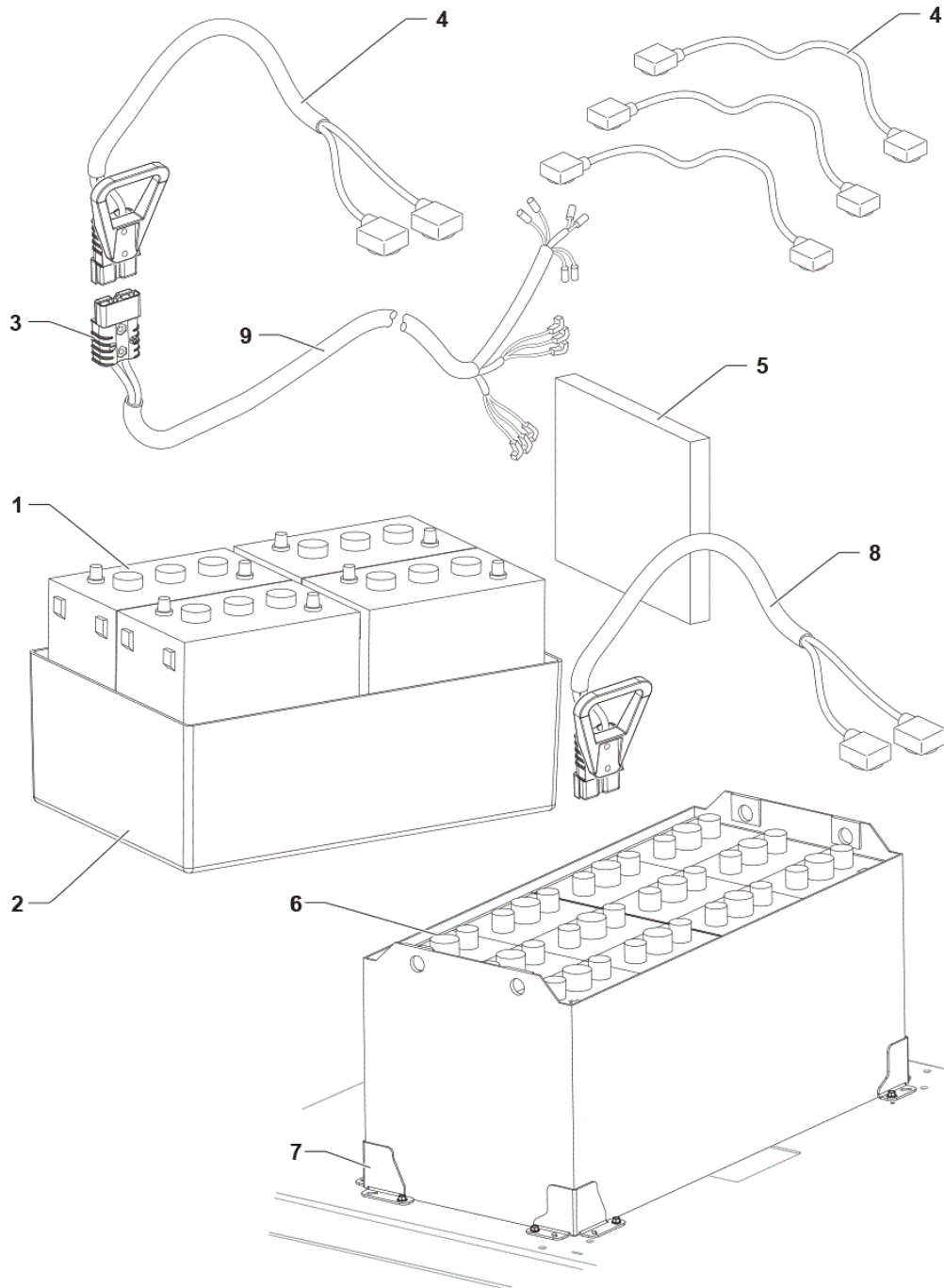
Pos.	Vare-nr	Antal	Beskrivelse	Notes
1		1	K1	
2		6	K3	
3		4	K3	
4		2	K3	
5		2	K3	
6		4	K1	
7		4	K2	
8		2	K3	
9		8	K1	
10		2	K3	
11		4	K2	
12	145 4259 000	1	Dæksel, Sort	
13	145 4271 000	2	CAP d. 6.4	
14		6	K2	
15		4	K3	
16	145 9854 000	1	Fuse	
17		2	K3	
18	1464982000	1	SWITCH ELECTROMAGNETIC 24V 120A	
19	146 0840 000	1	Sikring 150A Sr1300H	
20	146 0841 000	1	CAP.PROTECTION FUSE	
21	146 1169 000	1	HOLDER FUSE	
22	146 1170 000	1	Holder Fuse 8 Ways	
23	909 6622 000	4	Relæ 24V 40A	
24	1463923000	1	PLATE CLOSURE	
25	1466974000	1	BOX ELECTRIC METAL BLACK SIP	
26	1464336000	1	CIRCUIT BREAKER 15A	
27		1	K3	
28	9097208000	1	Vacum Relæ 24V	
29	1467600000	1	COVER ELECTRIC BOX MET. BLACK	
30	1464289000	2	Relæ 24V 20/30A	[1]
31	145 8514 000	3	Sikring 25A	
32	9100000878	1	FUSE BLADE 3A SIP	
33	1467034000	1	FUSE BLADE 10A SIP	
34	1466984000	1	GEARCASE HYDRAULIC POWER SUPPLY KIT	[2]
K1	1465073000	1	HOLDER FUSE KIT	
K2	1465074000	1	HARDWARE CONTACTOR KIT	
K3	1466979000	1	BOX ELECTRIC CPL BATTERY VERSION SIP	[3]

## Part Notes:

- [1] - TSB-FC-2017-024 hopper relay SW4000  
 [2] - NOT SHOWN - SEE INST. INSTR. 1466982000  
 [3] - NOT SHOWN



Pos.	Vare-nr	Antal	Beskrivelse	Notes
1	33004366	1	SCREW M8X25 CAP HD HEX SOCK ISO4762	
2	33023223	1	WASHER SPRING LOCK M8 DIN127B 10 PCS SET	
3	33005843	2	WASHER M10 UNI1751B	
4	1467054000	1	VALVE BLOCK SIP	
5	1464233000	1	BRACKET FOR HYDRAULIC UNIT	
6	1465095000	1	GASKETS FOR PISTON KIT	
7		1	K1	
8		1	K1	
9	1464247000	1	PIN LOWER CILYNDER	
10	33020367	1	CLAMP HOSE D.25	
11		2	K1	
12	145 5742 000	2	SCREW M10X20 CAP HD HEX SOCK ISO4762	
13		4	K1	
14	1465177000	1	GEARCASE HYDRAULIC 12V-24V	
15	1464920000	1	CYLINDER KIT	
16	1465096000	1	GASKETS FOR CYLINDER HEAD KIT	
17	1465097000	1	CYLINDER FIXING KIT	
K1	1464919000	1	HOSES HYDRAULIC WITH HARDWARE KIT	



# BATTERIES

FLOORTEC R 870 B ALT

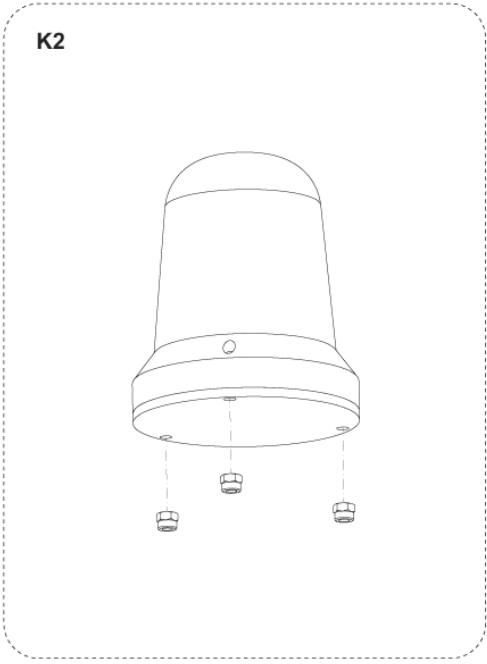
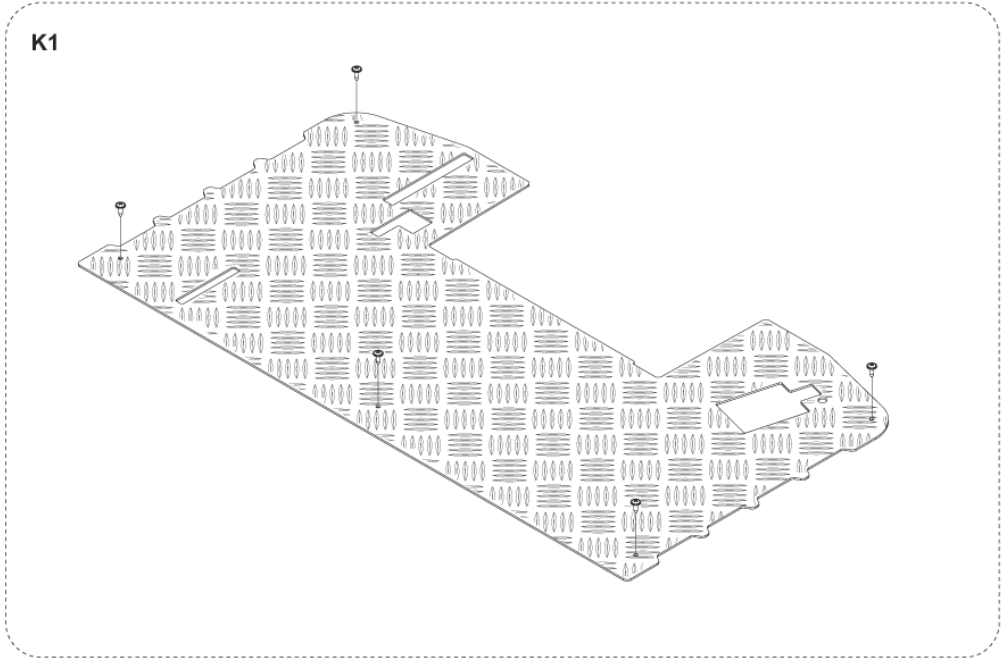
2016.11.30

2016.11.30

Pos.	Vare-nr	Antal	Beskrivelse	Notes
1	80565000	4	Batteri 6V 255A WET semi-traktion	[1]
1	80564000	4	Batteri 6V 180A GEL monoblok	[1]
1	80564100	4	Batteri 6V 240A GEL monoblok	[1]
1	80563200	4	Batteri 6V 200A WET rørcelle monoblok	[1]
2	145 4692 000	1	Batterikasse Sr1100/1200B	
3	1467029000	2	CONNECTOR 175A RED SIP	
4	1467534000	1	HARNESS BATTERY KIT	
5	146 0668 000	4	PANEL INSULATING	
6	80565200	1	Batteri 24V 360A WET stålboкс Aquamatic	[1]
6	80565300	1	Batteri 24V 330A GEL i stålboкс	[1]
7	1465171000	1	Beslag til batteri montering	[2]
8	1465179000	1	HARNESS FOR BATTERY TRACTION	[2]
9	1464338000	1	HARNESS MACHINE BATTERY	

## Part Notes:

- [1] - OPTIONAL
- [2] - OPTIONAL - USE WITH THE STEEL TRAY BATTERY



# FLOOR MAT AND BEACON

FLOORTEC R 870 B ALT

2015.05.19

2014.01.09

---

Pos.	Vare-nr	Antal	Beskrivelse	Notes
K1	1464957000	1	Gulvmatte kit	[1]
K2	1464948000	1	Advarselsblink kit	[2]

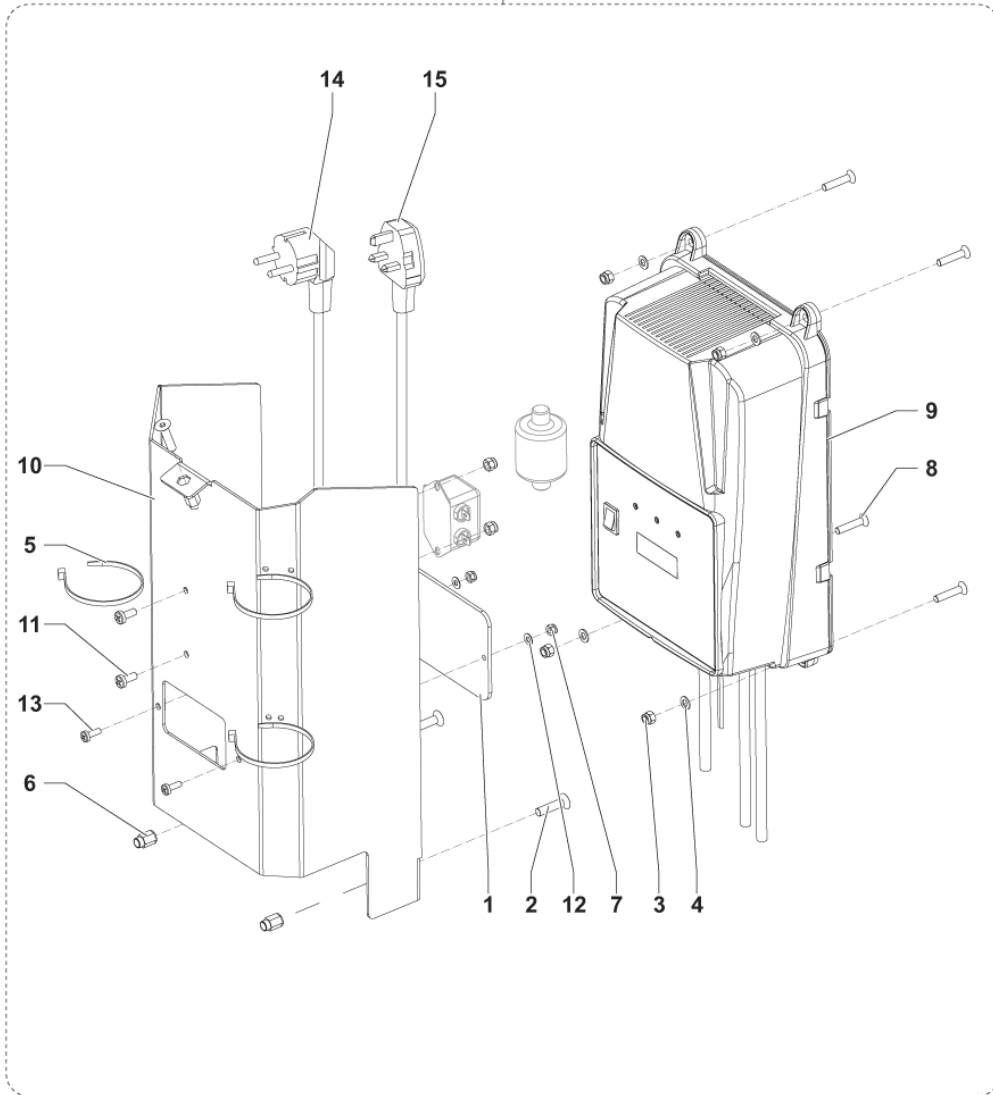
Part Notes:

- [1] - OPTIONAL
- [2] - OPTIONAL - INSTALLATION INSTRUCTION REF. 1465248000





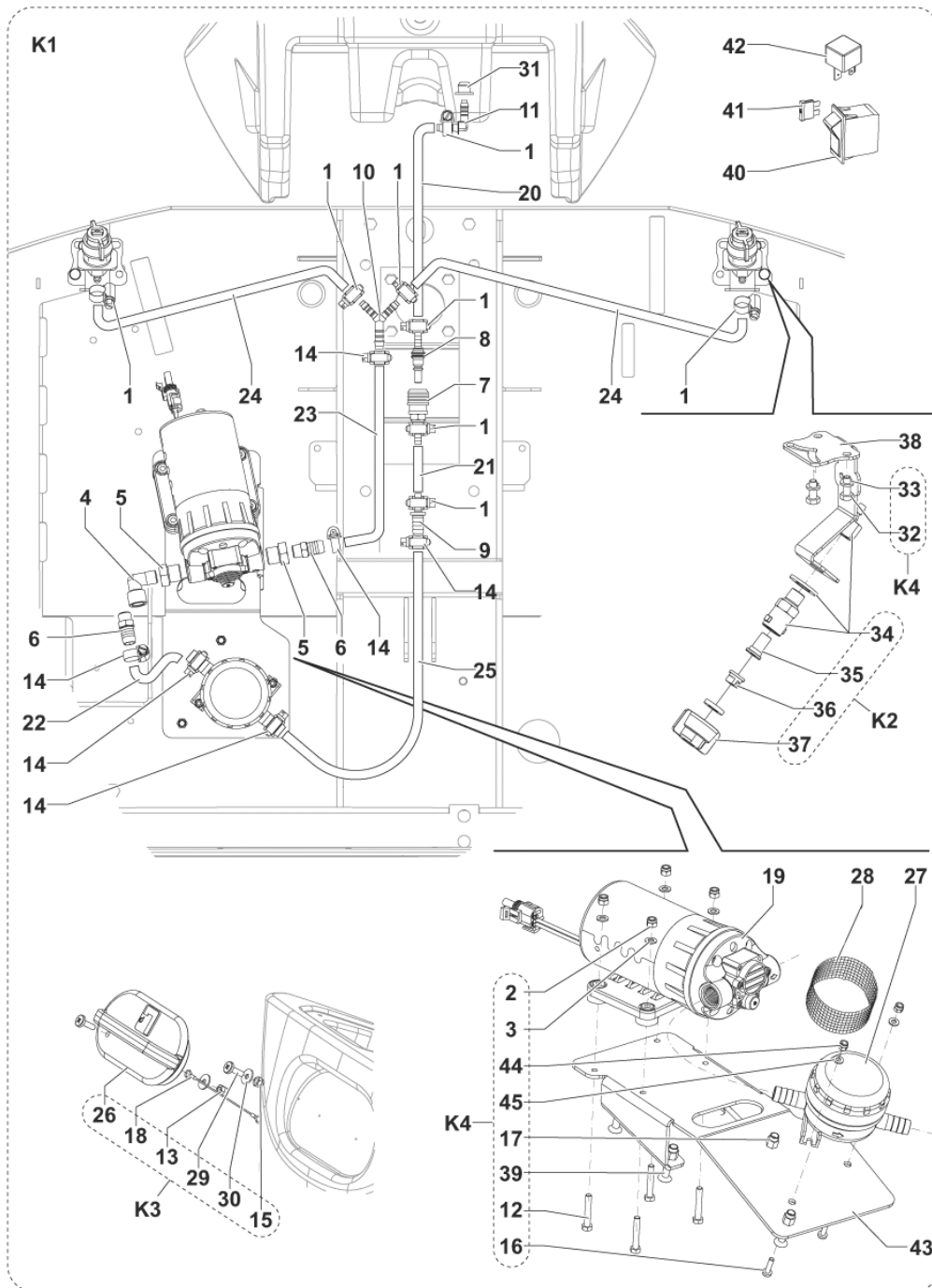
K1



Pos.	Vare-nr	Antal	Beskrivelse	Notes
1	9100001064	1	COVER F INSPECTION PLATE TRANSP. SIP	
2		3	K1	
3		6	K1	
4		4	K1	
5		3	K1	
6		3	K1	
7		2	K1	
8		4	K1	
9		1	K1	
10	1465131000	1	COVER BATTERY CHARGER	
11		2	K1	
12		2	K1	
13		2	K1	
14	9100000787	1	CABLE EXTENSION EU PLUG L.2000 PKD	
15	1466318000	1	CABLE EXTENSION UK PLUG L.2000MM SIP	
K1	1465175000	1	Indbygget oplader 24V 30A SB175	[1]

## Part Notes:

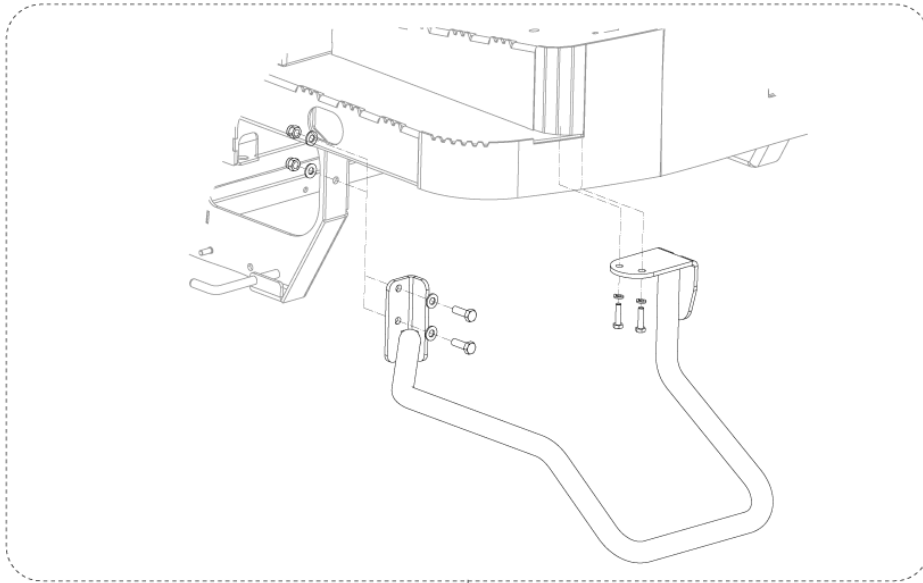
[1] - OPTIONAL - INSTALLATION INSTRUCTION REF. 1465324000



Pos.	Vare-nr	Antal	Beskrivelse	Notes
1		8	K5	
2		4	K4	
3		4	K4	
4		1	K6	
5		2	K6	
6		2	K6	
7	1465915000	1	CONNECTOR FEMALE	
8	1465916000	1	CONNECTOR MALE	
9		1	K6	
10		1	K6	
11		1	K6	
12		4	K4	
13		1	K3	
14		6	K5	
15		1	K3	
16		2	K4	
17		6	K4	
18		1	K3	
19	1465647000	1	PUMP WATER KIT	
20		1	K5	
21		1	K5	
22		1	K5	
23		1	K5	
24		2	K5	
25		1	K5	
26		1	K3	
27	9100000860	1	FILTER WATER PKD	
28	9100000861	1	NET WATER FILTER REINFORCED PKD	
29		2	K3	
30		2	K3	
31		1	K6	
32		4	K4	
33		4	K4	
34	33020865	2	ADAPTER SPRAY KIT	
35	1467245000	2	CHECK VALVE FILTER PKD	
36	1467246000	2	NOZZLE SPRAY D. 0.33 S.S. PKD	
37	1467247000	2	NOZZLE SPRAY D. 0.53 BRASS PKD	
38	1467248000	2	RING NUT QUICK COUPLING SIP	
39	1464473000	2	SUPPORT NOZZLES	
40		6	K4	
41	1465401000	1	SWITCH DUST GUARD KIT	
42	145 9852 000	1	Sikring 5A	
43	1464289000	1	Relæ 24V 20/30A	[1]
44	1465172000	1	Knop	
45		2	K4	
46		2	K4	
K1	1464953000	1	DustGuard kit (vandtågesystem)	[2]
K2	33019324	2	Nozzle Spray Kit	
K3	1465355000	1	CAP SOLUTION TANK KIT	
K4	1465356000	1	HARDWARE DUSTGUARD KIT	
K5	1465357000	1	HOSES POLYESTER DUSTGUARD KIT	[3]
K6	1465358000	1	FITTINGS AND REDUCTIONS DUST GUARD KIT	[3]

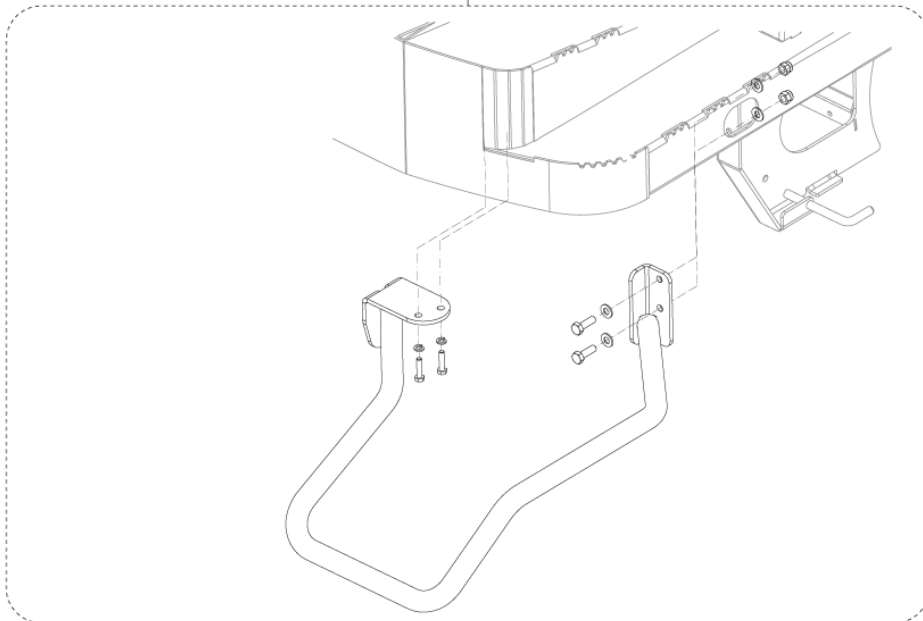
## Part Notes:

- [1] - TSB-FC-2017-024 hopper relay SW4000
- [2] - OPTIONAL - INSTALLATION INSTRUCTION REF. 1465244000
- [3] - NOT SHOWN



K1

K2

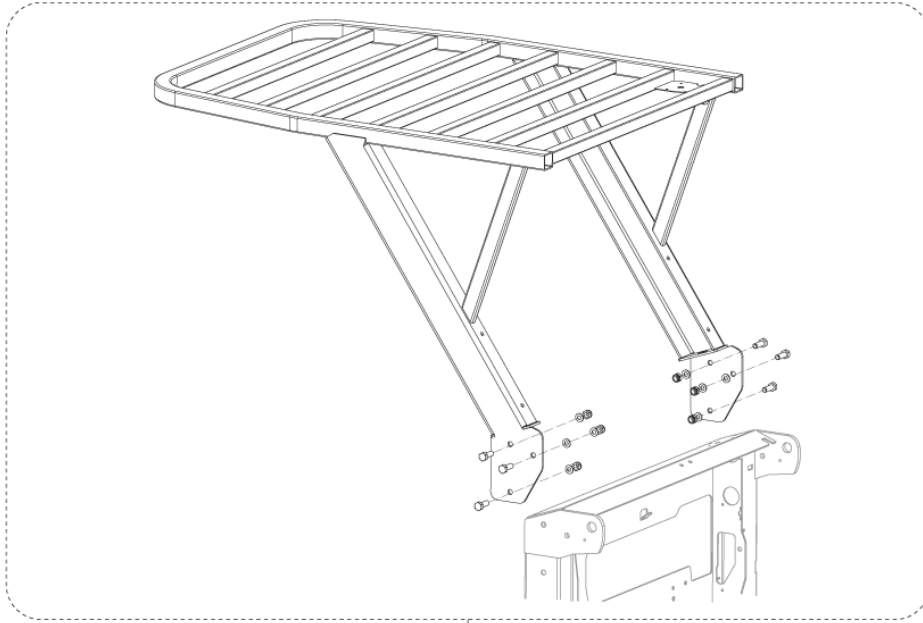


---

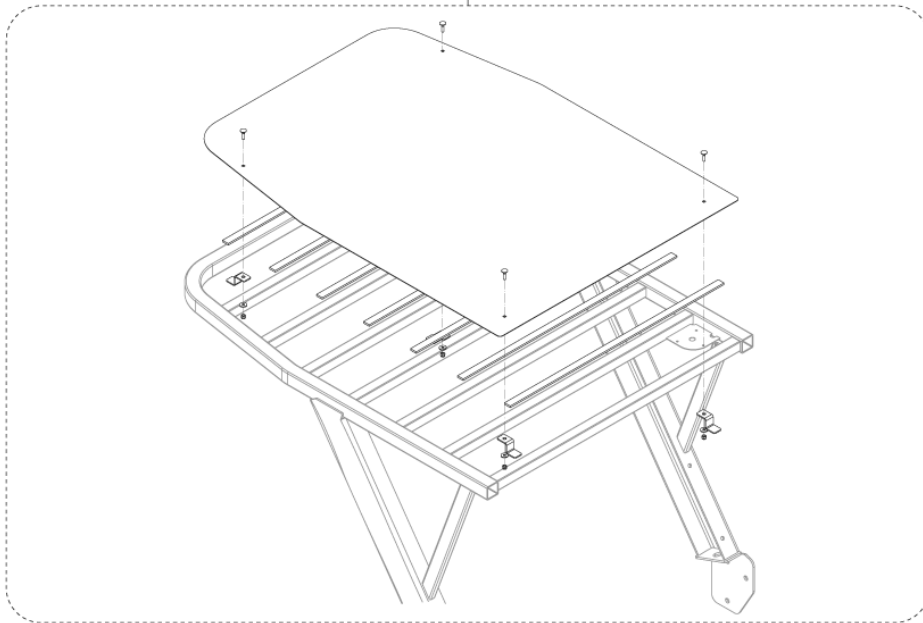
Pos.	Vare-nr	Antal	Beskrivelse	Notes
K1	1464958000	1	Beskyttelseskit til sidekost (højre)	[1]
K2	1464959000	1	Beskyttelseskit til sidekost (venstre)	[1]

## Part Notes:

[1] - OPTIONAL - INSTALLATION INSTRUCTIONS REF. 1465243000



K1  
K2



# ACCESSORIES 4

FLOORTEC R 870 B ALT

2015.05.19

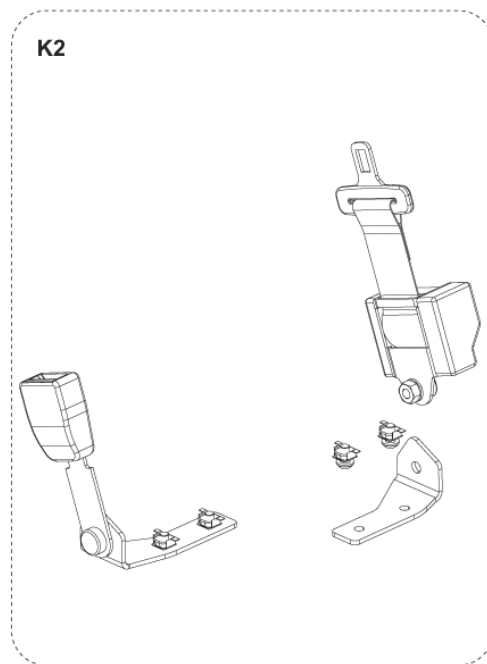
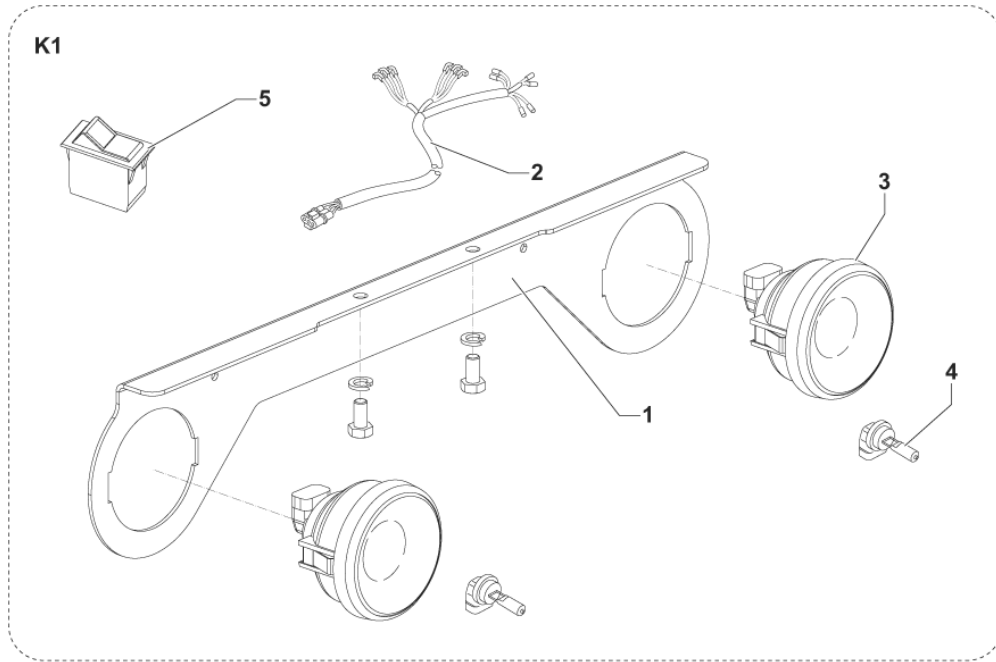
2015.05.14

Pos.	Vare-nr	Antal	Beskrivelse	Notes
K1	1464952000	1	Føreværn kit	[1]
K2	1464956000	1	Sikkerhedsplade til beskyttelsestag	[2]

## Part Notes:

- [1] - OPTIONAL - INSTALLATION INSTRUCTIONS REF. 1465246000
- [2] - OPTIONAL - INSTALLATION INSTRUCTIONS REF. 1465247000

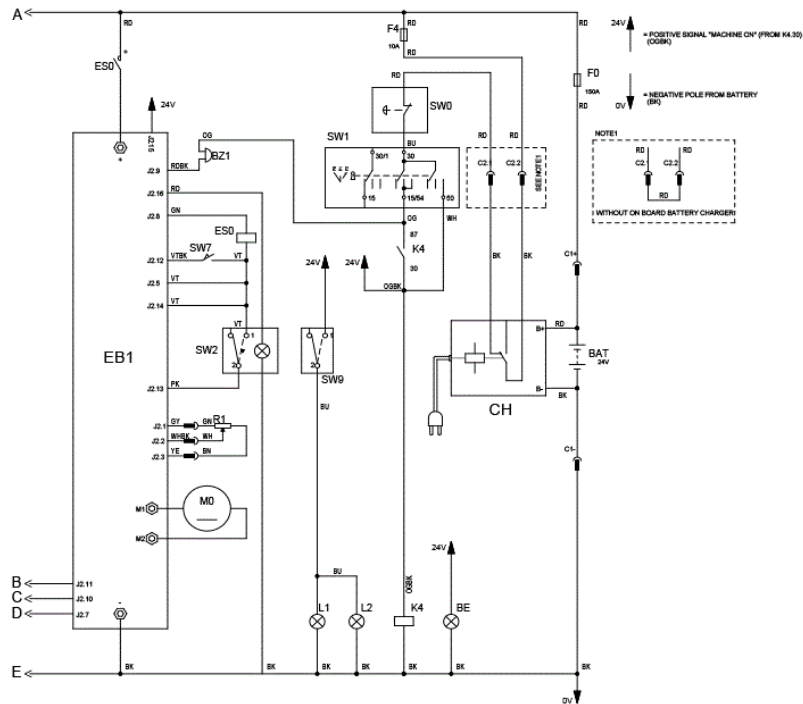
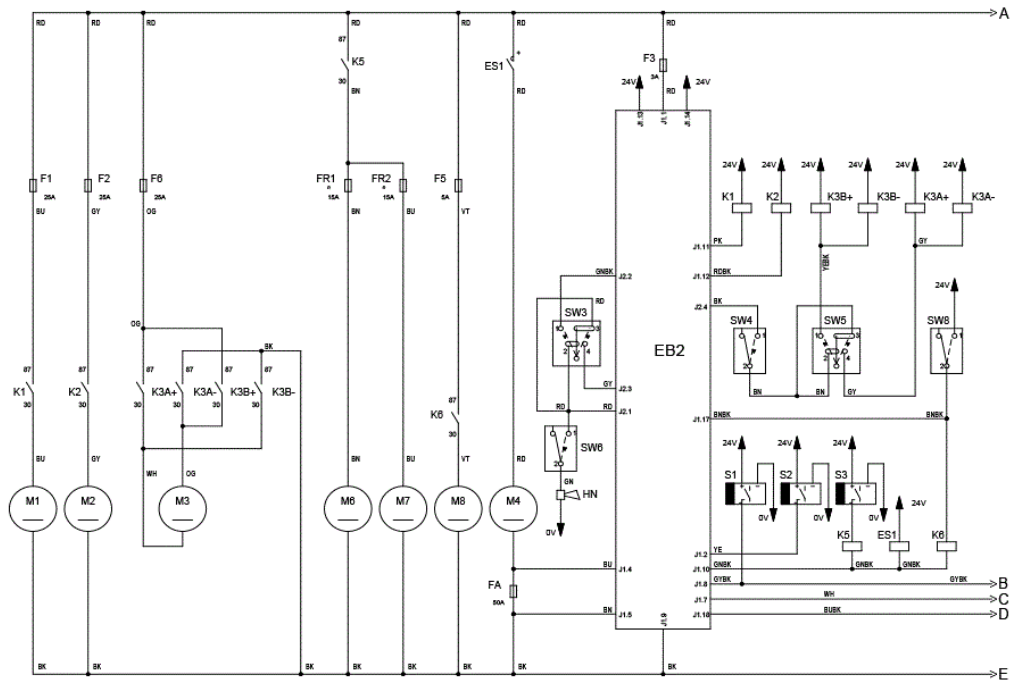




Pos.	Vare-nr	Antal	Beskrivelse	Notes
1	1466357000	1	BRACKET FRONT LIGHT SIP	
2	1466359000	1	HARNESS WORK LIGHTS SIP	
3	1466356000	2	LIGHT WORK 24V CPL SIP	
4	1466358000	2	BULB LIGHT 24V 70W H3 SIP	
5	146 1167 000	1	SWITCH ROCKER W/ WORK LIGHT LEN KIT	
6	1466362000	1	LIGHTS WORK UPGRADE KIT	[1]
K1	1466346000	1	Frontlys kit 24V 70W	[2]
K1	1466347000	1	LIGHTS FRONT KIT 24V 70W SW4000 UL	[3]
K2	1464954000	1	Sikkerhedsbælte kit	[4]
K3	33019556	1	Armlæn kit (højre)	[5]
K4	1464960000	1	Armlæn kit (venstre)	[6]

## Part Notes:

- [1] - NOT SHOWN - POS. 1-3-4
- [2] - OPTIONAL - INSTALLATION INSTRUCTION REF. 1465245000  
SEE TSB-FC-2015-013
- [3] - ONLY FOR "US" ADVANCEVERSION
- [4] - OPTIONAL - INSTALLATION INSTRUCTION REF. 1465248000
- [5] - OPTIONAL - NOT SHOWN - INSTALLATION INSTRUCTION REF. 33019211
- [6] - OPTIONAL - NOT SHOWN - INSTALLATION INSTRUCTION REF. 1465249000



Pos.	Vare-nr	Antal	Beskrivelse	Notes
BZ1	909 6126 000		BUZZER 5-32V	
BE	1464948000		Advarselsblink kit	
C1	1467029000		CONNECTOR 175A RED SIP	
CH	1465175000		Indbygget oplader 24V 30A SB175	
EB1	1466210000		CONTROLLER DRIVE WHEEL PKD	
EB2	1466211000		CARD ELECTRONIC CONTROL PANEL PKD	
ES0	1464982000		SWITCH ELECTROMAGNETIC 24V 120A	
ES1	9097208000		Vacum Relæ 24V	
FA	145 9854 000		Fuse	
F0	146 0840 000		Sikring 150A Sr1300H	
F1	145 8514 000		Sikring 25A	
F2	145 8514 000		Sikring 25A	
F3	9100000878		FUSE BLADE 3A SIP	
F4	1467034000		FUSE BLADE 10A SIP	
F5	145 9852 000		Sikring 5A	
F6	145 8514 000		Sikring 25A	
FR1	1464336000		CIRCUIT BREAKER 15A	
FR2	1464336000		CIRCUIT BREAKER 15A	
HN	1467032000		HORN 24V SIP	
K1	909 6622 000		Relæ 24V 40A	
K2	909 6622 000		Relæ 24V 40A	
K3A+,-	909 6622 000		Relæ 24V 40A	
K3B+,-	909 6622 000		Relæ 24V 40A	
K4	1464289000		Relæ 24V 20/30A	
K5	1464289000		Relæ 24V 20/30A	
K6	1464289000		Relæ 24V 20/30A	[1]
L1, L2	33019229		HEADLIGHT 24V	[2]
M0	1464913000		MOTORWHEEL KIT	
M1	1467040000		FAN RADIAL 24V SIP	
M2	145 5539 000		Filterryster motor	
M3	1465177000		GEARCASE HYDRAULIC 12V-24V	
M4	1467562000		MOTOR MAIN BROOM 24V 600W SIP	
M6	1464241000		GEARMOTOR FOR RIGHT SIDE BROOM	
M7	1464242000		Gearmotor venstre sidebørste	
M8	1465647000		PUMP WATER KIT	
R1	1464425000		ACCELERATOR ELECTRONIC	
S1	1467062000		SWITCH BACK UP PROXIMITY SIP	
S2	1467062000		SWITCH BACK UP PROXIMITY SIP	
S3	1467062000		SWITCH BACK UP PROXIMITY SIP	
SW0	1466683000		SWITCH EMERGENCY KIT	
SW1	33020442		Nøgleafbryder M. Nøgle	
SW2	1465400000		SWITCH FW RW KIT	
SW3	146 0846 000		Knapp	
SW4	1465399000		SWITCH HOPPER LEAD KIT	
SW5	1465398000		SWITCH HOPPER RAISING KIT	
SW6	146 0845 000		Kontakt Til Sug Sr1300Hb	
SW8	1465401000		SWITCH DUST GUARD KIT	
SW9	146 1167 000		SWITCH ROCKER W/ WORK LIGHT LEN KIT	

## Part Notes:

- [1] - TSB-FC-2017-024 hopper relay SW4000  
 [2] - SEE TSB-FC-2015-013

# RECOMMENDED SPARE PARTS

FLOORTEC R 870 B ALT

2015.05.19

2017.05.17

---

# RECOMMENDED SPARE PARTS

FLOORTEC R 870 B ALT

2015.05.19

2017.05.17

Pos.	Vare-nr	Antal	Beskrivelse	Notes
NW	1467062000	3	SWITCH BACK UP PROXIMITY SIP	
OM	33020442	1	Nøgleafbryder M. Nøgle	
EOM	33006165	1	RING D 35 UNI7437	
EOM	33019229	2	HEADLIGHT 24V	[1]
EOM	33019324	2	Nozzle Spray Kit	
EOM	33019734	2	LAMP 24V 70W	[1]
EOM	1467246000	2	NOZZLE SPRAY D. 0.33 S.S. PKD	
EOM	1467245000	2	CHECK VALVE FILTER PKD	
EOM	1467247000	2	NOZZLE SPRAY D. 0.53 BRASS PKD	
EOM	1467039000	2	SPRING TRACTION CARBON STEEL SIP	
EOM	1463358000	2	SPRING GAS 40KG	
EOM	1467040000	1	FAN RADIAL 24V SIP	
EOM	1463916000	1	PLATE FRONT SKIRT	
EOM	1464181000	1	BUSHING SUPPORT LEVER	
EOM	1464839000	1	Panelfilter polyester Ultra Web blå	
EOM	1464198000	1	GASKET BULB RUBBER L.2200MM PKD	
EOM	1466210000	1	CONTROLLER DRIVE WHEEL PKD	
EOM	1464219000	1	SPRING LOCK BRAKE	
EOM	1464241000	1	GEARMOTOR FOR RIGHT SIDE BROOM	
EOM	1464242000	1	Gearmotor venstre sidebørste	
EOM	1466211000	1	CARD ELECTRONIC CONTROL PANEL PKD	
EOM	1464266000	1	BELT HTD 825-5M	
EOM	1464275000	1	SKIRT REAR RECYCLE	
EOM	1464276000	1	PLATE REAR SKIRT FIXING	
EOM	1464277000	1	PLATE REAR SKIRT	
EOM	1464278000	2	PLATE SIDE KIRT FIXING	
EOM	1464289000	4	Relæ 24V 20/30A	
EOM	1464336000	1	CIRCUIT BREAKER 15A	
EOM	1464337000	1	FLAP METAL FRONT	
EOM	1464413000	1	CABLE MAIN BROOM	
EOM	1464414000	1	CABLE RIGHT SIDE BROOM	
EOM	1464415000	1	CABLE LEFT SIDE BROOM	
EOM	1464425000	1	ACCELERATOR ELECTRONIC	
EOM	1467046000	1	SPRING BRAKE SIP	
EOM	1467562000	1	MOTOR MAIN BROOM 24V 600W SIP	
EOM	1464465000	1	BRACKET FRONT LIGHT	[1]
EOM	1464476000	2	KNOB LOBES M10 F. W/YELLOW CAP	
EOM	1464497000	1	SKIRT FRONT	
EOM	1467159000	1	SPARK PLUG NGK R BPR6ES SIP	
EOM	1464535000	1	GASKET RUBBER L.1430MM PKD	
EOM	1467109000	2	LOCK WITH KEY F HATCH SIP	
EOM	1464803000	1	DISC BRAKE	
EOM	1464804000	1	CALIPER BRAKE COMPLETE KIT	
EOM	9096960000	1	Brush Carbon Kit	
EOM	1464919000	1	HOSES HYDRAULIC WITH HARDWARE KIT	
EOM	1464920000	1	CYLINDER KIT	
EOM	1464921000	1	ROD FOR FLAP KIT	
EOM	1464982000	1	SWITCH ELECTROMAGNETIC 24V 120A	
EOM	1466139000	1	PULLEY HTD KIT	
EOM	1467056000	1	HUB MAIN BROOM PKD	
EOM	1465037000	1	PIN HOPPER BEARING KIT	
EOM	1465040000	1	HARDWARE FRONT FLAP KIT	
EOM	1465049000	1	KNOB SIDE BROOM KIT	
EOM	1465052000	1	HARDWARE MAIN BROOM HUB KIT	
EOM	1465095000	1	GASKETS FOR PISTON KIT	
EOM	1465096000	1	GASKETS FOR CYLINDER HEAD KIT	
EOM	1465647000	1	PUMP WATER KIT	
EOM	1465175000	1	Indbygget oplader 24V 30A SB175	
EOM	1465177000	1	GEARCASE HYDRAULIC 12V-24V	

# RECOMMENDED SPARE PARTS

FLOORTEC R 870 B ALT

2015.05.19

2017.05.17

Pos.	Vare-nr	Antal	Beskrivelse	Notes
EOM	1465273000	1	CABLE LOCK RELEASE	
EOM	1465281000	2	BEARING SLEEVE IGLIDUR MSM-1622-15	
EOM	1465314000	1	RING FOR MOTORWHEEL KIT	
EOM	1465355000	1	CAP SOLUTION TANK KIT	
EOM	1465356000	1	HARDWARE DUSTGUARD KIT	
EOM	1465357000	1	HOSES POLYESTER DUSTGUARD KIT	
EOM	1465358000	1	FITTINGS AND REDUCTIONS DUST GUARD KIT	
EOM	1467456000	1	CABLE BRAKE KIT	
EOM	1465396000	1	SKIRTS KIT	
EOM	1465398000	1	SWITCH HOPPER RAISING KIT	
EOM	1465399000	1	SWITCH HOPPER LEAD KIT	
EOM	1465400000	1	SWITCH FW RW KIT	
EOM	1465401000	1	SWITCH DUST GUARD KIT	
EOM	9096959000	1	BEARING BALL KIT	
EOM	9097208000	1	Vacum Relæ 24V	
EOM	9096969000	4	CAP WITH GASKET	
EOM	9100000860	1	FILTER WATER PKD	
EOM	1467023000	1	HUB LEFT MAIN BROOM PKD	
EOM	44905699	1	BEARING BALL 6001 2RS PKD	
EOM	1467024000	1	SPRING PKD	
EOM	1467083000	2	CARBON BRUSH 2 PCS SET	
EOM	145 5539 000	1	Filterryster motor	
EOM	9100000878	1	FUSE BLADE 3A SIP	
EOM	1467030000	2	BEARING BALL 6003 2RS SIP	
EOM	145 8514 000	3	Sikring 25A	
EOM	1466319000	1	JOINT UNIVERSAL D.17 SIP	
EOM	145 9852 000	1	Sikring 5A	
EOM	145 9854 000	1	Fuse	
EOM	1467034000	1	FUSE BLADE 10A SIP	
EOM	146 0329 000	2	Hjul, forest, sværtfrie	
EOM	146 0840 000	1	Sikring 150A Sr1300H	
EOM	146 0845 000	1	Kontakt Til Sug Sr1300Hb	
EOM	146 0846 000	1	Knapp	
EOM	146 0903 000	2	BEARING FLANGE IGLIDUR GFM-1517-12	
EOM	146 0986 000	1	Fjeder Venstre Sidebørste Sr 1300 H	
EOM	146 1167 000	1	SWITCH ROCKER W/ WORK LIGHT LEN KIT	
EOM	146 1317 000	1	SPRING COMPR. D.E. 18.5 YELLOW ISO10243	
EOM	1466683000	1	SWITCH EMERGENCY KIT	
EOM	146 1728 000	1	Kontakt	
EOM	146 1876 000	2	Baghjul, standard sorte	
EOM	1466374000	8	KNOB KNURLED M6 FEMALE SIP	
EOM	9100000861	1	NET WATER FILTER REINFORCED PKD	
EOM	909 6622 000	2	Relæ 24V 40A	
EOM	L08603949	1	Kul Kit 4 Stk	
EOM	1464805000	1	PADS BRAKE KIT	
EOM	1465055000	1	PULLEY MAIN BR. MOTOR KIT	
EOM	1464982000	1	SWITCH ELECTROMAGNETIC 24V 120A	

## Part Notes:

[1] - SEE TSB-FC-2015-013





Pos.	Vare-nr	Antal	Beskrivelse	Notes
	1464951000	1	Sværtefrit skørt kit (side, bag, for)	
	146 0329 000	2	Hjul, forest, sværtefri	
	1465313000	1	Baghjul sværtefrie	
	1465170000	1	WHEEL TRACTION NON MARKING KIT	
	1464955000	1	Trækhjul, sværtefrie	
	1465320000	1	Sidekost (PPL 1,0 sort)	
	1465319000	1	Sidekost Mix 5	
	1464946000	1	Sidekost kit venstre stål mix	
	1463854000	1	Fejevalse Chevron 6R Mix 5	
	1464947000	1	Fejevalse Chevron 6R stål mix	
	1464189000	1	Panelfilter papir Ultra Web blå	
	1464953000	1	DustGuard kit (vandtågesystem)	
	1464958000	1	Beskyttelseskit til sidekost (højre)	
	1464959000	1	Beskyttelseskit til sidekost (venstre)	
	1464952000	1	Førerværn kit	
	1464956000	1	Sikkerhedsplade til beskyttelsestæg	
	1466346000	1	Frontlys kit 24V 70W	
	1464954000	1	Sikkerhedsbælte kit	
	33019556	1	Armlæn kit (højre)	
	1464960000	1	Armlæn kit (venstre)	
	1465175000	1	Indbygget oplader 24V 30A SB175	
	80565000	4	Batteri 6V 255A WET semi-traktion	
	80564000	4	Batteri 6V 180A GEL monoblok	
	80564100	4	Batteri 6V 240A GEL monoblok	
	80565200	1	Batteri 24V 360A WET stålboks Aquamatic	
	80565300	1	Batteri 24V 330A GEL i stålboks	
	1465171000	1	Beslag til batteri montering	

