

PARTS LIST



2017.08.01

TABLE OF CONTENTS

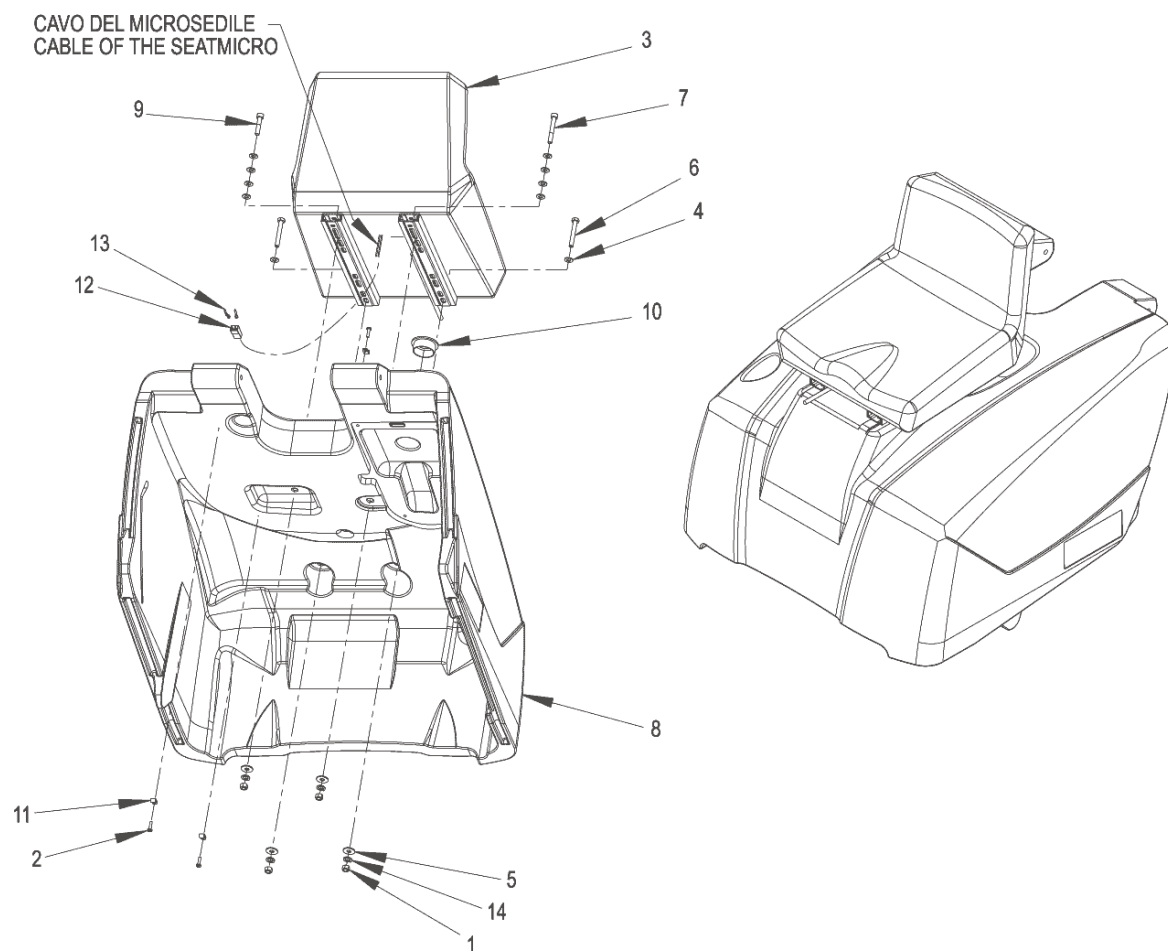
Chassis System	1
Bonnet System	4
Main Broom Assembly	6
Right-Left Hub Assemblies	8
Side Broom Assembly - before SN 062211241	10
Side Broom Assembly - from SN 062211241	13
Steering System - before SN 062211241	15
Steering System - from SN 062211241	18
Drive system - before SN 062211241	21
Drive system - from SN 062211241	24
Pedal Assemblies - before serial no. 051807363	27
Pedal Assemblies - after serial no. 051807363	29
Control Panel System	31
Transmission System	33
Reduction Motor Assembly	35
Dust Control System	37
Hopper System	39
Electrical Components	41
Decals	43
Accessories 1	45
Accessories 2	47
Accessories 3	49
Accessories 4	51
Accessories 5	53
Recommended spare parts 1	55
Recommended spare parts 2	57
Electric Diagram	59

Pos.	Vare-nr	Antal	Beskrivelse	Notes
1		4	WASHER FLAT M6X18	[1]
2		5	NUT SELF LOCKING M8	[2]
3		6	NUT SELF LOCKING M6	[3]
4		2	SCREW M5X10	[4]
5		2	SPACER	[5]
6	33023302	2	CAP BLACK SIP	
7		2	SCREW M6X16	[6]
8		2	WASHER FLAT M20X43	[7]
9		1	WASHER SPLIT M8	[8]
10		2	WASHER SPLIT M20	[9]
11		4	INSERT M6	[10]
12		3	WASHER FLAT M8X17	[11]
13		2	WASHER FLAT 6X12,5	[12]
14		2	SCREW M8X40	[13]
15		5	WASHER FLAT M8X24	[14]
16		2	SCREW M6X20	[15]
17		1	SCREW M8X60	[16]
18	146 0534 000	1	Handle Shaft	
19		2	SCREW M10X20	[17]
20		2	ROLLER BUMPER	[18]
21		2	HEXAGONAL NUT M20	[19]
22	146 1681 000	1	CHASSIS ROTOMOLDED	
23	1465168000	1	COVER LIGHT	
24	146 2965 000	1	CHASSIS GALV.	[20]
25	146 1899 000	2	Hjul Sr 1000 Sb	
26	146 1900 000	1	BAR SAFETY F BONNET	
27	1467505000	2	PLATE COVER F ROLLER BUMPER BLACK SIP	[21]
28		2	SCREW M6X70	[22]
29	1467032000	1	HORN 24V SIP	
30	146 0565 000	1	Push Switch F/Sw700S	
31	1467533000	1	HARNES BATTERY KIT	
31	9097590000	1	Batteri Kabel	
32	146 1986 000	1	Ladestik Rød 120A	
33	146 2240 000	1	Ledningsnet, Komplet	
34	146 3127 000	1	GASKET	
35	33023224	1	WASHER PLAIN M10 ISO7089 10 PCS SET	
36	33004578	3	Screw Tpsei 6X20	
K1	1464391000	1	HARDWARE CHASSIS SYST KIT	[23]
K2	1464392000	2	ROLLER BUMPER KIT	[24]

Part Notes:

- [1] - WASHER FLAT M6X18
- [2] - NUT SELF LOCKING M8
- [3] - NUT SELF LOCKING M6
- [4] - SCREW M5X10
- [5] - SPACER
- [6] - SCREW M6X16
- [7] - WASHER FLAT M20X43
- [8] - WASHER SPLIT M8
- [9] - WASHER SPLIT M20
- [10] - INSERT M6
- [11] - WASHER FLAT M8X17
- [12] - WASHER FLAT 6X12,5
- [13] - SCREW M8X40
- [14] - WASHER FLAT M8X24
- [15] - SCREW M6X20
- [16] - SCREW M8X60
- [17] - SCREW M10X20
- [18] - ROLLER BUMPER

- [19] - HEXAGONAL NUT M20
- [20] - ITEM NO LONGER AVAILABLE
- [21] - PLATE
- [22] - SCREW M6X70
- [23] - NOT SHOWN (POS.2-3-4-7-8-9-10-11-12-13-14-15-16-17-19-21)
- [24] - NOT SHOWN (POS.1-3-5-13-20-27-28)



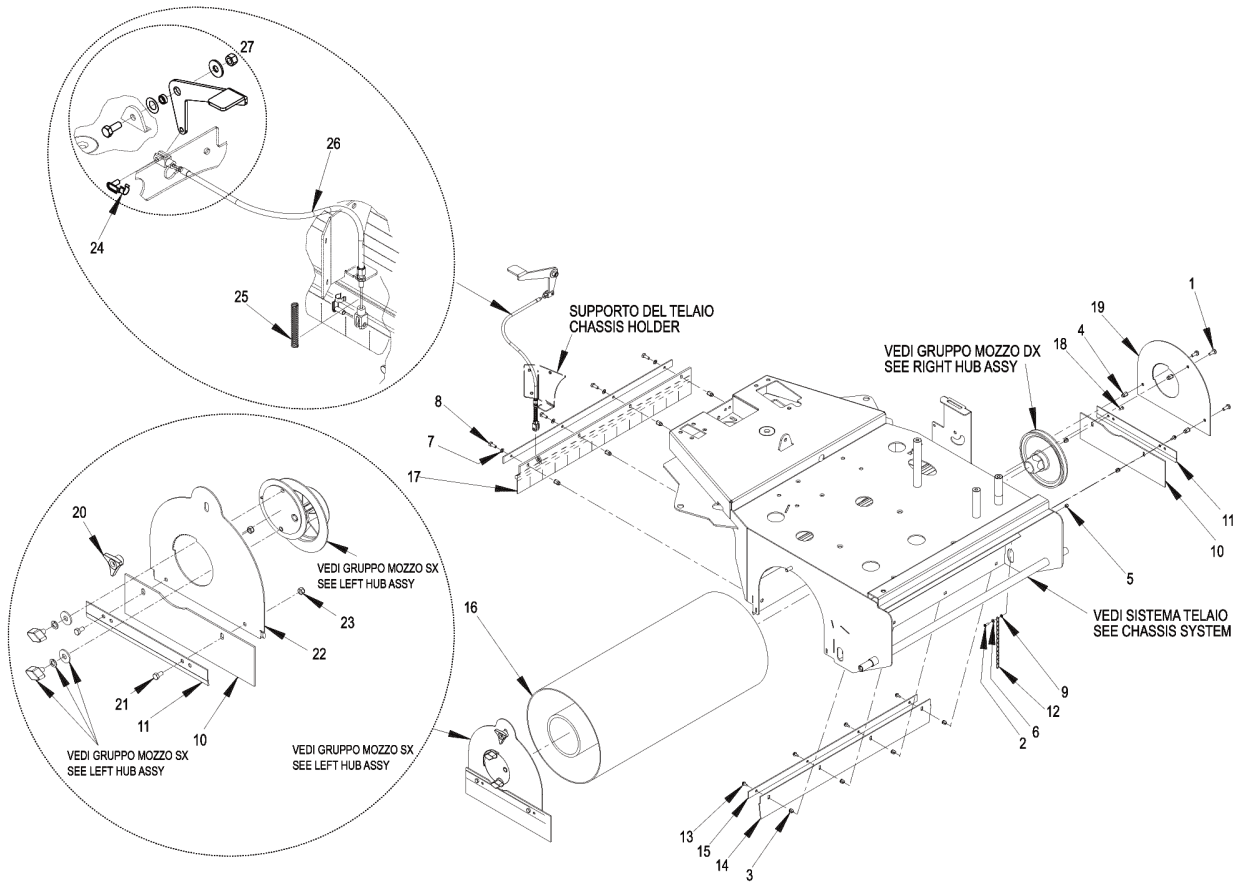
Pos.	Vare-nr	Antal	Beskrivelse	Notes
1		4	NUT HEX. M8	[1]
2		3	SCREW 4.6X19.2	[2]
3	145 1782 000	1	Sæde Med Kontakt Sr1000	
4		10	WASHER FLAT M8X17	[3]
5		4	WASHER FLAT M8X24	[4]
6		2	SCREW M8X60	[5]
7		1	SCREW M8X60	[5]
8	146 1682 000	1	HOOD ROTOMOLDED. BATTERY	
9		1	SCREW M8X40	[6]
10	146 1970 000	1	CAP D.46	
11		3	CABLE CLAMP	[7]
12	145 3740 000	1	TERMINAL 1/2.5	
13	145 3733 000	1	Connector	
14		4	WASHER SPLIT M8	[8]
16	1463241000	1	HARNESSE SEAT MICRO KIT	[9]
K1	1464393000	1	HARDWARE BONNET SYST KIT	[10]

Part Notes:

- [1] - NUT HEX. M8
- [2] - SCREW 4.6X19.2
- [3] - WASHER FLAT M8X17
- [4] - WASHER FLAT M8X24
- [5] - SCREW M8X60
- [6] - SCREW M8X40
- [7] - CABLE CLAMP
- [8] - WASHER SPLIT M8
- [9] - GUARANTEE DATE EXPIRED

NOT SHOWN - TSB IT 2007-012 -INST. INSTR. 1463243000

- [10] - NOT SHOWN (POS.1-2-4-5-6-7-9-11-14)

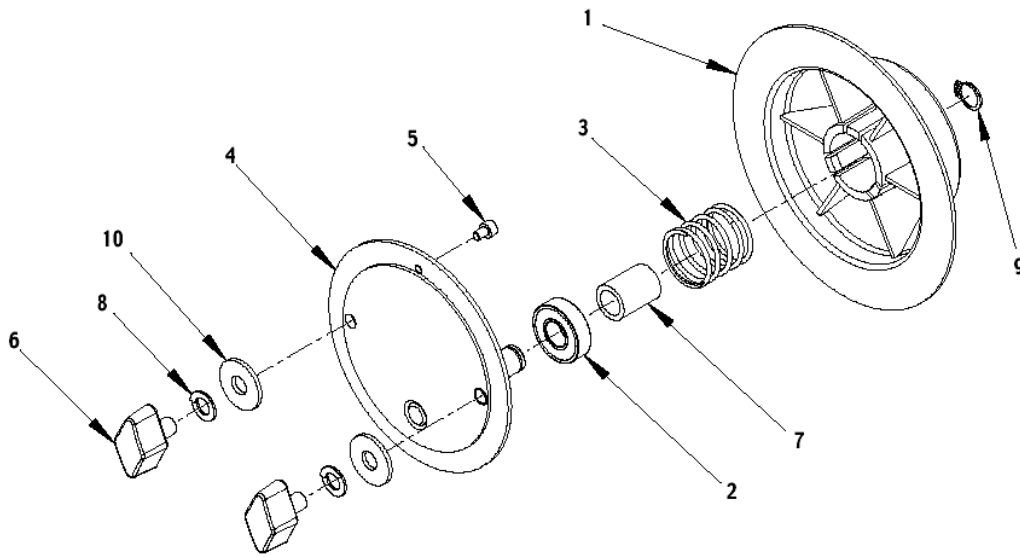


Pos.	Vare-nr	Antal	Beskrivelse	Notes
1		3	SCREW M6X16	[1]
2		1	SCREW 4X12	[2]
3		6	NUT SCREW	[3]
4		7	INSERT M6	[4]
5		1	NUT SELFLOCKING M8	[5]
6		1	WASHER FLAT 4X9	[6]
7		4	WASHER SPLIT 6	[7]
8		4	SCREW M6X16	[1]
9		1	TOOTHED WASHER 4	[8]
10	146 0555 000	2	Skørt,Side H/V Sw700S F/ Sw 700S	
10	146 0587 000	2	Sværtefrit skørt, side	
11	146 0557 000	2	PLATE SIDE SKIRT	
12	146 0611 000	1	CHAIN GROUND KIT	
13		5	SCREW 3,9X13	[9]
14	146 0743 000	1	Sværtefrit skørt, bag	
14	146 0738 000	1	Skørt Front Sw700-850	
15	146 0739 000	2	PLATE.FRONT SKIRT	
16	146 0748 000	1	Fejevalse standard	
16	146 0749 000	1	Fejevalse natur 600 mm Ø265	[10]
16	146 0750 000	1	Fejevalse stål mix	
16	146 0753 000	1	Fejevalse til tæpper/naturfiber	[10]
17	146 0756 000	1	Skirt Front Soft	
18		1	SCREW 3.9X13	[11]
19	146 2137 000	1	HATCH RT CLOSING MAIN BROOM SPACE GREY	
20	145 5035 000	1	Knob M8	
21		2	SCREW HEX. M6X12	[12]
22	1466363000	1	HATCH LT MET. GREY F MAIN BROOM SIP	
23		2	NUT HEX. SELFLOCK. M6	[13]
24	145 4536 000	2	CIRCLIP M6	
25	145 1935 000	1	Filter Shaker Spring	
26	145 1975 000	1	Kabel, Sr 5110	
27	146 2161 000	2	Pedal, Skirt Rais.Device	
28	1464395000	1	HUB LEFT KIT	
29	1464396000	1	HUB RIGHT KIT	
K1	1464394000	1	HARDWARE MAIN BROOM KIT	[14]

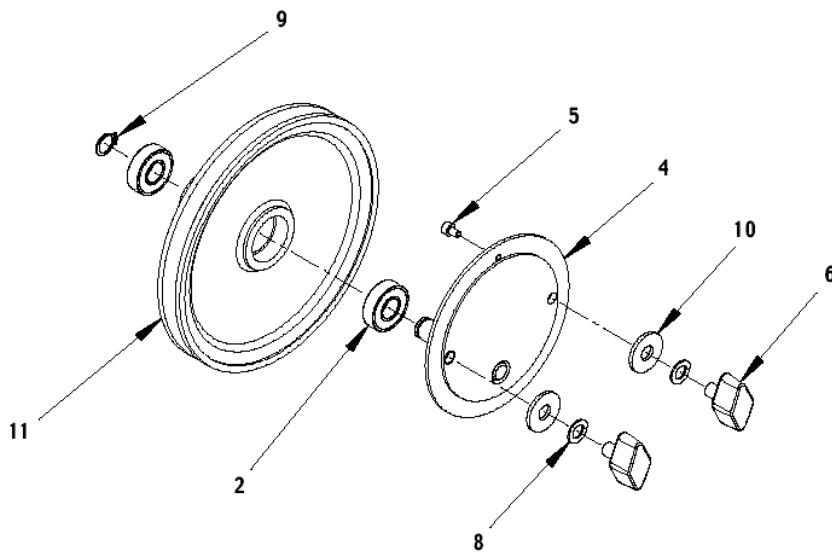
Part Notes:

- [1] - SCREW M6X16
- [2] - SCREW 4X12
- [3] - NUT SCREW
- [4] - INSERT M6
- [5] - NUT SELFLOCKING M8
- [6] - WASHER FLAT 4X9
- [7] - WASHER SPLIT 6
- [8] - TOOTHED WASHER 4
- [9] - SCREW 3,9X13
- [10] - PI 2015-001 TTY
- [11] - SCREW 3.9X13
- [12] - SCREW HEX. M6X12
- [13] - NUT HEX. SELFLOCK. M6
- [14] - NOT SHOWN (POS.1-2-3-4-5-6-7-8-9-13-18-21-23)

**KIT GRUPPO MOZZO SX
LEFT HUB ASSEMBLY KIT**



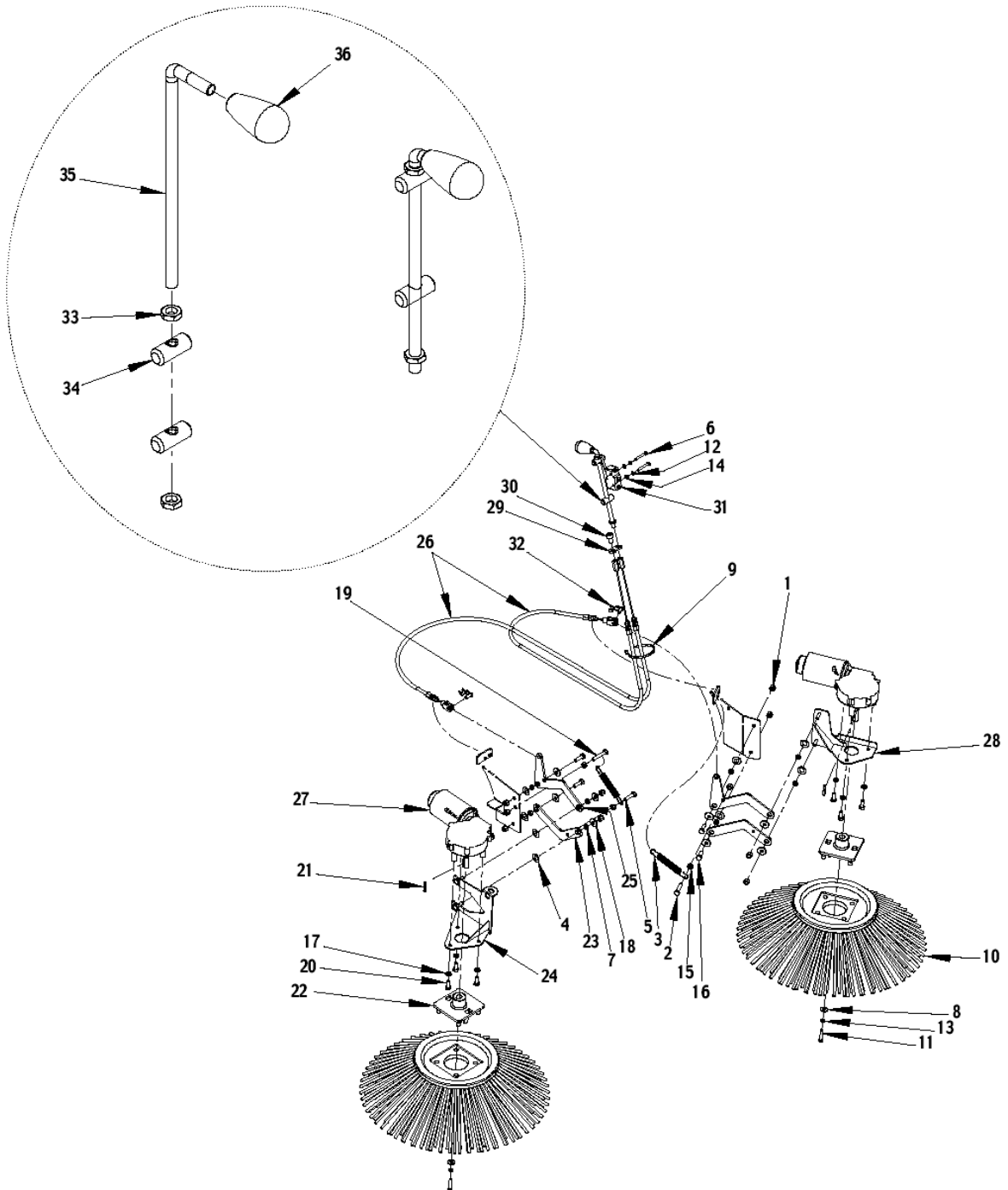
**KIT GRUPPO MOZZO DX
RIGHT HUB ASSEMBLY KIT**



Pos.	Vare-nr	Antal	Beskrivelse	Notes
1		1	LEFT HUB	[1]
2		3	BALL BEARING	[2]
3		1	SPRING	[3]
4		2	PIN	[4]
5		2	SCREW HEX HD M4X6	[5]
6		4	KNOB	[6]
7		1	SPACER	[7]
8		4	WASHER	[8]
9		2	RETAINING RING	[9]
10		4	WASHER FLAT	[10]
11		1	PULLEY	[11]
K1	1464395000	1	HUB LEFT KIT	[12]
K2	1464396000	1	HUB RIGHT KIT	[13]

Part Notes:

- [1] - LEFT HUB
- [2] - BALL BEARING
- [3] - SPRING
- [4] - PIN
- [5] - SCREW HEX HD M4X6
- [6] - KNOB
- [7] - SPACER
- [8] - WASHER
- [9] - RETAINING RING
- [10] - WASHER FLAT
- [11] - PULLEY
- [12] - NOT SHOWN (POS.1-2-3-4-5-6-7-8-9-10)
- [13] - NOT SHOWN (POS.2-4-5-6-8-9-10-11)

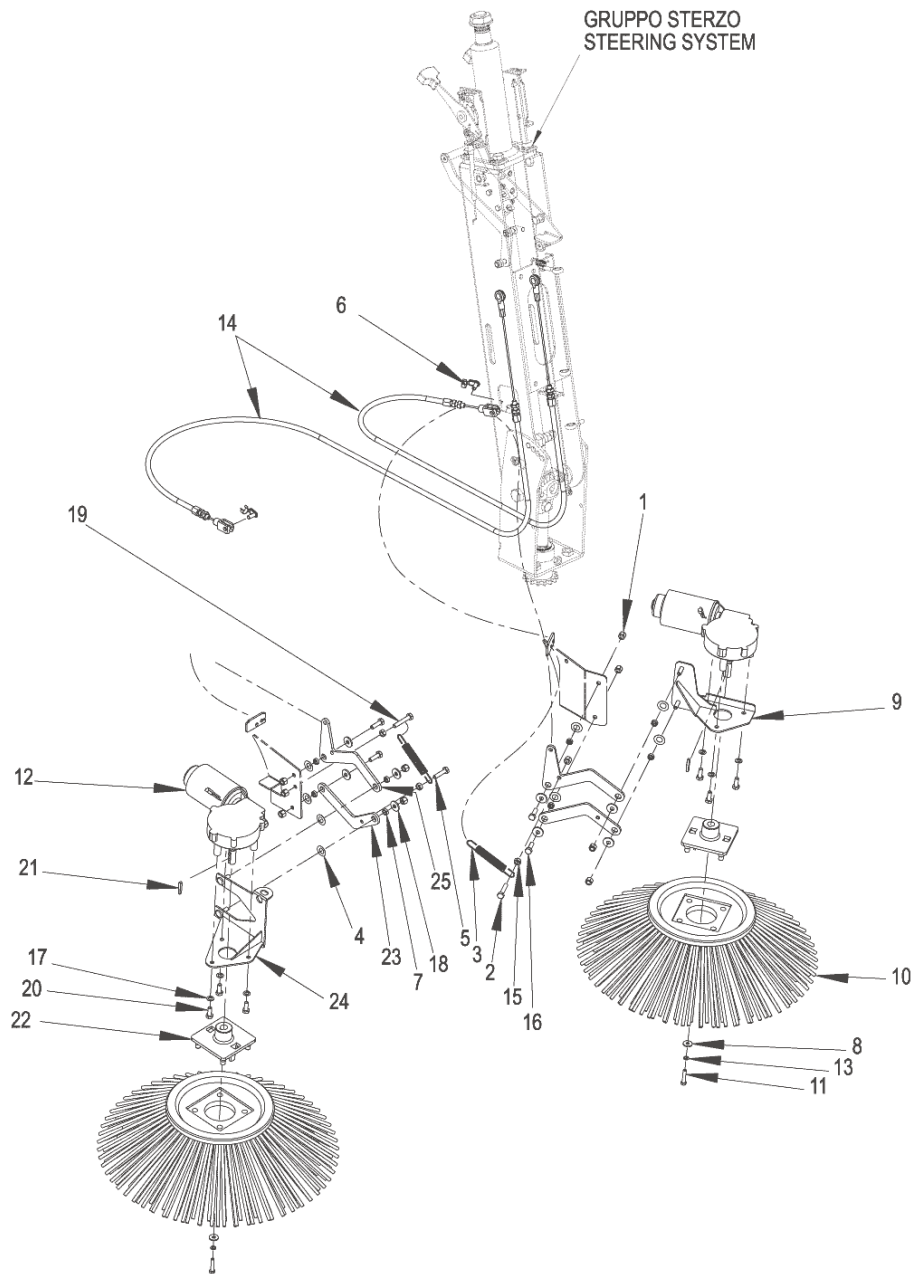


Pos.	Vare-nr	Antal	Beskrivelse	Notes
1		10	NUT SELF LOCKING M6	[1]
2		1	SCREW M6X30	[2]
3	145 0274 000	2	Fjeder	
4	145 1147 000	8	WASHER 10.2X18.8X0.35 10.2x18.8x0.35	
5		1	SCREW M6X25	[3]
6		2	SCREW M4X30	[4]
7		8	SPACER	[5]
8		2	WASHER FLAT 5X15	[6]
9		1	CLAMP 3.6X140	[7]
10	145 4959 000	2	Sidekost stålmix	
10	146 0678 000	2	Sidekost nylon 180 x 347	[8]
10	145 4976 000	2	Sidekost til tæpper/naturfiber	[9]
10	145 1899 000	2	Sidekost standard	[8]
11		2	SCREW M5X25	[10]
12		2	WASHER SPLIT	[11]
13		2	WASHER SPLIT	[11]
14		2	WASHER FLAT M4X9	[12]
15		3	NUT M6	[13]
16		4	SCREW M6X20	[14]
17		6	WASHER SPLIT	[11]
18		8	WASHER FLAT M6X18	[15]
19		1	SCREW M6X35	[16]
20		6	SCREW M6X16	[17]
21		2	KEY	[18]
22	146 0519 000	2	Nav F. Sidebørste	
23	146 0558 000	2	Arm, Side Børste	
24	146 0559 000	1	Konsol F. Børste	[19]
25	146 1894 000	2	Arm, Sidebørste	
26	146 1895 000	2	Kabel, Side Børste	[19]
27	1464152000	2	Reduction Gearmotor 60W 24V	
27	1464166000	1	CARBON BRUSHES W/HOLDER KIT	[20]
27	1464054000	1	Kul-Sæt	[21]
28	146 2972 000	1	BRACKET. SIDE BROOM	
29	146 2107 000	1	PLATE	[22]
30		1	SCREW M8X12	[23]
31	1466506000	1	MICROSWITCH 10A 250V PKD	
32	145 4536 000	2	CIRCLIP M6	
33		2	NUT M8	[24]
34	L08601509	2	Bolt	[25]
35	146 1955 000	1	PIN	[22]
36	145 9319 000	1	KNOB M8	[22]
K1	146 2226 000	1	HARDWARE SIDE BROOM KIT	[26]

Part Notes:

- [1] - NUT SELF LOCKING M6
- [2] - SCREW M6X30
- [3] - SCREW M6X25
- [4] - SCREW M4X30
- [5] - SPACER
- [6] - WASHER FLAT 5X15
- [7] - CLAMP 3.6X140
- [8] - OPTIONAL
- [9] - OPTIONAL
PI 2015-001 TTY
- [10] - SCREW M5X25
- [11] - WASHER SPLIT
- [12] - WASHER FLAT M4X9
- [13] - NUT M6
- [14] - SCREW M6X20

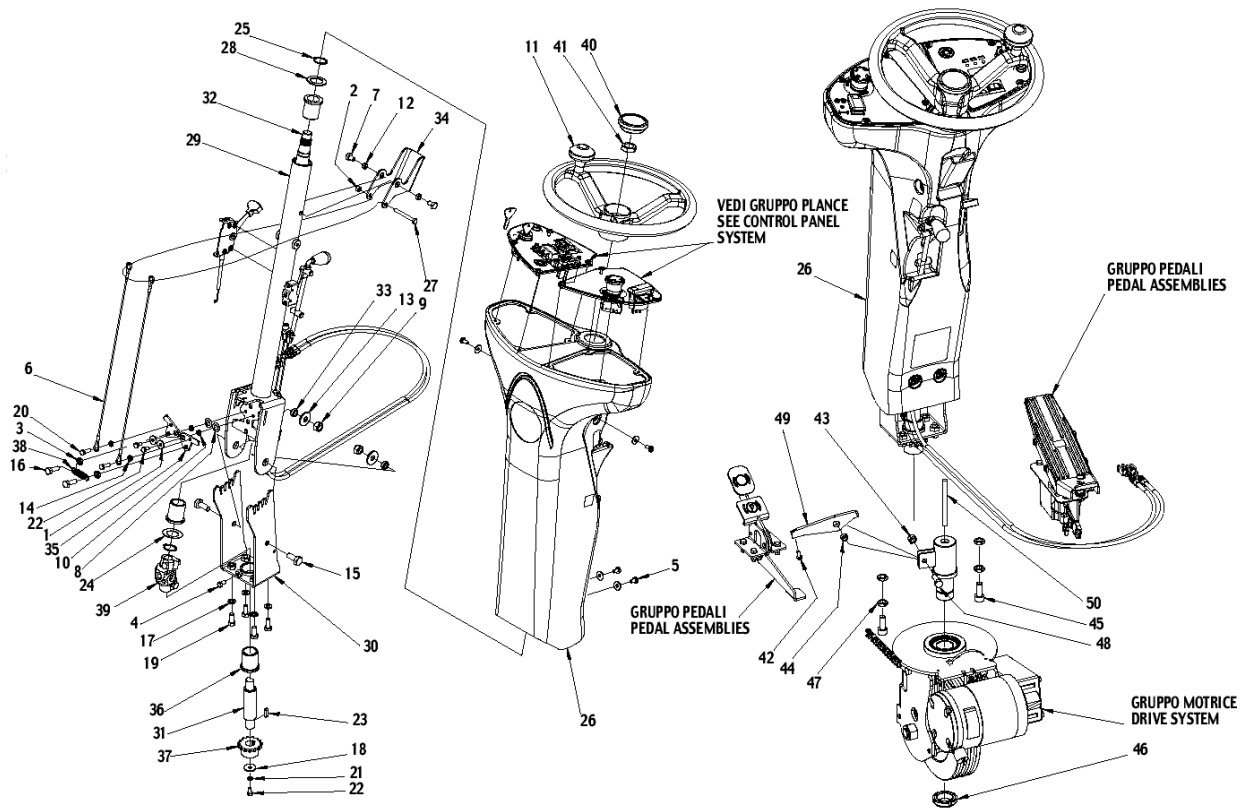
- [15] - WASHER FLAT M6X18
- [16] - SCREW M6X35
- [17] - SCREW M6X16
- [18] - KEY
- [19] - STOCK COVERS GUARANTEE
- [20] - NOT SHOWN - FOR NEW RED.GEAR MOT.1464152000
- [21] - GUARANTEE DATE EXPIRED
NOT SHOWN - FOR OLD RED.GEAR MOT.146 1897 000
See TSB IT 2009-033
- [22] - GUARANTEE DATE EXPIRED
- [23] - SCREW M8X12
- [24] - NUT M8
- [25] - TILL S/N 06221124
- [26] - GUARANTEE DATE EXPIRED
NOT SHOWN (POS.1-2-5-6-7-8-9-11-12-13-14-15-16-17-18-19-20-21-30-33)



Pos.	Vare-nr	Antal	Beskrivelse	Notes
1		10	NUT SELF LOCKING M6	[1]
2		1	SCREW M6X30	[2]
3	145 0274 000	2	Fjeder	
4	145 1147 000	8	WASHER 10.2X18.8X0.35 10.2x18.8x0.35	
5		1	SCREW M6X25	[3]
6	145 4536 000	2	CIRCLIP M6	
7		8	SPACER	[4]
8		2	WASHER FLAT 5X15	[5]
9	146 2972 000	1	BRACKET. SIDE BROOM	
10	145 1899 000	2	Sidekost standard	[6]
10	145 4976 000	2	Sidekost til tæpper/naturfiber	[7]
10	145 4959 000	2	Sidekost stålmix	
10	146 0678 000	2	Sidekost nylon 180 x 347	[6]
11		2	SCREW M5X25	[8]
12	1464152000	2	Reduction Gearmotor 60W 24V	[9]
12	1464166000	1	CARBON BRUSHES W/HOLDER KIT	[10]
12	1464054000	1	Kul-Sæt	[11]
13		2	WASHER SPLIT	[12]
14	146 2970 000	2	Cable.Side Broom	
15		3	NUT M6	[13]
16		4	SCREW M6X20	[14]
17		6	WASHER SPLIT	[12]
18		8	WASHER FLAT M6X18	[15]
19		1	SCREW M6X35	[16]
20		6	SCREW M6X16	[17]
21		2	KEY	[18]
22	146 0519 000	2	Nav F. Sidebørste	
23	146 0558 000	2	Arm,Side Børste	
24	146 2971 000	1	Bracket. Side Broom	
25	146 1894 000	2	Arm, Sidebørste	
K1	1464397000	1	Hardware Side Brooms Kit	[19]

Part Notes:

- [1] - NUT SELF LOCKING M6
- [2] - SCREW M6X30
- [3] - SCREW M6X25
- [4] - SPACER
- [5] - WASHER FLAT 5X15
- [6] - OPTIONAL
- [7] - OPTIONAL
PI 2015-001 TTY
- [8] - SCREW M5X25
- [9] - FROM SN.092816281
- [10] - FOR NEW RED.GEAR MOT.1464152000
- [11] - FOR OLD RED.GEAR MOT.146 1897 000
GUARANTEE DATE EXPIRED
See TSB IT 2009-033
- [12] - WASHER SPLIT
- [13] - NUT M6
- [14] - SCREW M6X20
- [15] - WASHER FLAT M6X18
- [16] - SCREW M6X35
- [17] - SCREW M6X16
- [18] - KEY
- [19] - NOT SHOWN (POS.1-2-5-6-7-8-9-11-12-13-14-15-16-17-18-19-20-21-30-33)

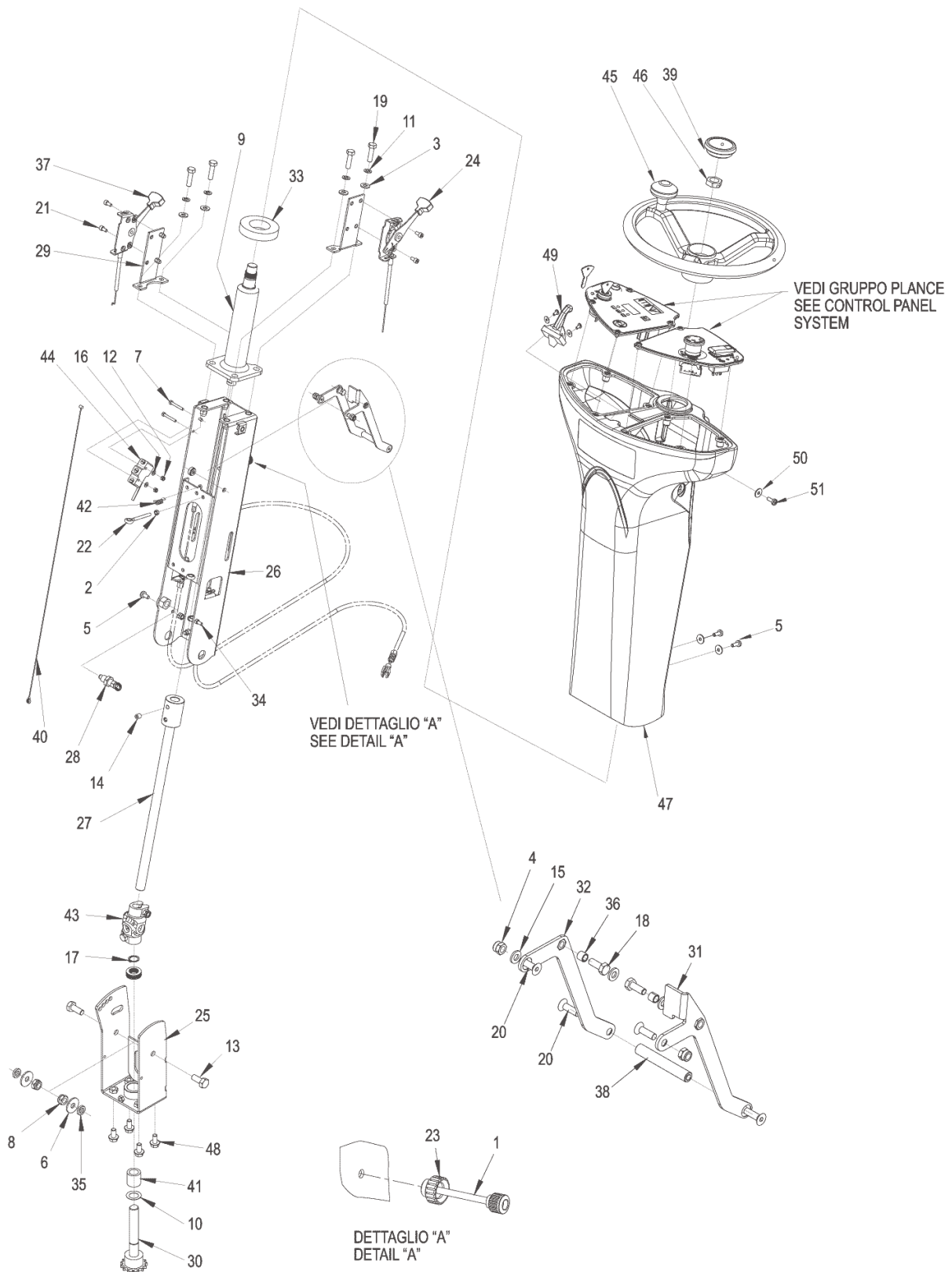


Pos.	Vare-nr	Antal	Beskrivelse	Notes
1		6	WASHER M6X18	[1]
2		1	NUT SELF LOCKING M6	[2]
3		2	NUT M8	[3]
4		1	SCREW M6X16	[4]
5		4	SCREW M6X12	[5]
6	L08812362	2	Kabel	[6]
7		2	SCREW M8X12	[7]
8		2	SPRING	[8]
9		2	NUT SELFLOCKING M10	[9]
10		2	SPACER	[10]
11	146 2106 000	1	WHEEL. STEERING D.320	
12		2	SPACER	[10]
13		2	WASHER M10X30	[11]
14		2	NUT M6	[12]
15		2	SCREW M10X25	[13]
16		2	SCREW M8X25	[14]
17	146 1886 000	1	PIN	[15]
18		1	WASHER M6X24	[16]
19		4	SCREW M8X16	[17]
20		2	SCREW M6X20	[18]
21		1	WASHER	[19]
22		3	SCREW M6X12	[5]
23		1	KEY	[20]
24	145 9875 000	1	BELLEVILLE WASHER 25.5X41.6X0.7 DIN2093	[21]
25		2	RETAINING RING	[22]
26	146 1686 000	1	Frontcover	[15]
27		1	SCREW M6X55	[23]
28		1	SPACER	[10]
29	146 1906 000	1	steering column	[15]
30	146 1907 000	1	SUPPORT. STEERING COLUMN	[15]
31	146 1908 000	1	SHAFT.PINION STEERING	[15]
32	146 1909 000	1	SHAFT.STEERING	[15]
33		2	SPACER	[10]
34	146 1911 000	1	Monteringsbeslag	[15]
35	146 1912 000	2	LEVER	[15]
36	146 1913 000	3	BEARING FLANGE IGLIDUR MFM-2532-40	[15]
37	145 2601 000	1	SPROCKET T15 3/8	[15]
38		1	SPRING	[8]
39	1466319000	1	JOINT UNIVERSAL D.17 SIP	
40	1467031000	1	CAP SIP	
41		1	NUT M8X1,5	[24]
42		1	SCREW M5X12 SS	[25]
43		1	NUT M8	[3]
44		1	SPACER	[10]
45		2	SCREW M10X25	[13]
46		1	NUT RING SELFLOCKING	[26]
47		4	NUT M10	[27]
48		1	SCREW M8X25	[14]
49	146 1885 000	1	LEVER	[15]
K1	146 2227 000	1	HARDWARE STEERING KIT SR 1000S	[15]

Part Notes:

- [1] - WASHER M6X18
- [2] - NUT SELF LOCKING M6
- [3] - NUT M8
- [4] - SCREW M6X16
- [5] - SCREW M6X12
- [6] - Till S/N 06221124
- [7] - SCREW M8X12

- [8] - SPRING
- [9] - NUT SELFLOCKING M10
- [10] - SPACER
- [11] - WASHER M10X30
- [12] - NUT M6
- [13] - SCREW M10X25
- [14] - SCREW M8X25
- [15] - GUARANTEE DATE EXPIRED
- [16] - WASHER M6X24
- [17] - SCREW M8X16
- [18] - SCREW M6X20
- [19] - WASHER
- [20] - KEY
- [21] - GUARANTEE DATE EXPIRED
TIII S/N 06221124
- [22] - RETAINING RING
- [23] - SCREW M6X55
- [24] - NUT M8X1,5
- [25] - SCREW M5X12 SS
- [26] - NUT RING SELFLOCKING
- [27] - NUT M10

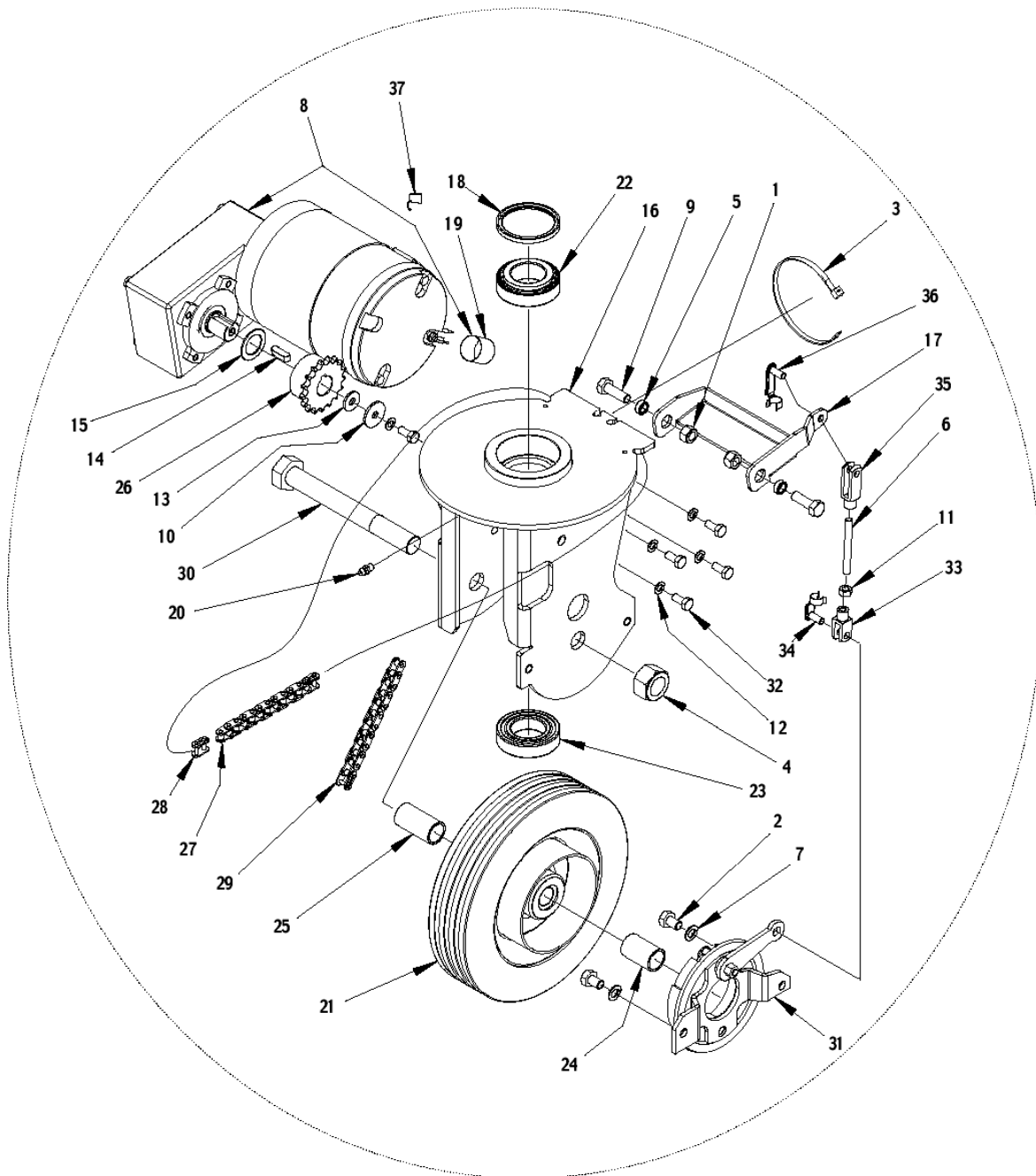


Pos.	Vare-nr	Antal	Beskrivelse	Notes
1	145 1354 000	1	KNOB M 6x 65	
2		4	NUT HEX M5	[1]
3		4	WASHER FLAT 8X17	[2]
4		3	NUT HEX SELFLOCK. M6	[3]
5		5	SCREW M6X12	[4]
6		2	WASHER FLAT 10X30	[5]
7		2	SCREW HEX HD M4X30	[6]
8		2	NUT	[7]
9	1466525000	1	COLUMN STEERING SIP	
10		7	SPRING	[8]
11		4	WASHER SPLIT 8	[9]
12		2	NUT	[7]
13		2	SCREW	[10]
14		1	SCR, SOC SET	[11]
15		3	WASHER FLAT 6X12,5	[12]
16		2	WASHER FLAT 4X9	[13]
17	9100001345	1	RING D 17 UNI7435 10 PCS SET	
18		2	SCREW HEX. HD M6X16	[14]
19		4	SCREW HEX HD M8X25	[15]
20		4	SCREW M6X20	[16]
21		4	SCREW M5X10	[17]
22	146 2450 000	1	TIE-ROD EYE D.8 M5X52MM	
23	1466374000	1	KNOB KNURLED M6 FEMALE SIP	
24	146 2939 000	1	LEVER EMERGENCY BRAKE	
25	146 2945 000	1	SUPPORT STEERING COLUMN	
26	146 2947 000	1	STEERING COLUMN	
27	146 2948 000	1	SHAFT STEERING KIT	
28	1466328000	1	PLUNGER M12 D.8 W/NUT SIP	
29	146 2951 000	2	SUPPORT VACUUM CABLE	
30	146 2953 000	1	SHAFT STEERING W/PINION	
31	146 2954 000	1	Lever.Left Side Broom	
32	146 2955 000	1	LEVER.LEFT SIDE BROOM	
33	146 2956 000	1	GASKET	
34	146 2957 000	2	TIE-ROD EYE D.8 M5X25MM	
35		2	SPACER	[18]
36	146 2959 000	2	BUSHING PAP 6X 8X 7	
37	146 2960 000	1	CABLE.VACUUM CONTROL	
38	146 2961 000	1	HANDLE SIDE BROOMS	
39	1467031000	1	CAP SIP	
40	1466327000	1	PLUNGER M12 W/CABLE KIT	[19]
41	145 9505 000	1	Bussning	
42	145 9290 000	1	Fjäder	
43	1466319000	1	JOINT UNIVERSAL D.17 SIP	
44	1466506000	1	MICROSWITCH 10A 250V PKD	
45	146 2106 000	1	WHEEL. STEERING D.320	
46		1	NUT HEX LOW M18X1.5	[20]
47	146 2906 000	1	COVER ROTOMOLDED FRONT	
48	146 2316 000	4	SCREW M8X16 HEX HD F/THD FLANG ISO1665	
49	146 2458 000	1	Lever	
50		4	WASHER FLAT 6X18	[21]
51		4	SCR, PAN PHIL M6X16	[22]
K1	1464398000	1	HARDWARE STEERING KIT	[23]

Part Notes:

- [1] - NUT HEX M5
- [2] - WASHER FLAT 8X17
- [3] - NUT HEX SELFLOCK. M6
- [4] - SCREW M6X12
- [5] - WASHER FLAT 10X30

-
- [6] - SCREW HEX HD M4X30
 - [7] - NUT
 - [8] - SPRING
 - [9] - WASHER SPLIT 8
 - [10] - SCREW
 - [11] - SCR, SOC SET
 - [12] - WASHER FLAT 6X12,5
 - [13] - WASHER FLAT 4X9
 - [14] - SCREW HEX. HD M6X16
 - [15] - SCREW HEX HD M8X25
 - [16] - SCREW M6X20
 - [17] - SCREW M5X10
 - [18] - SPACER
 - [19] - Included pos. 28
 - [20] - NUT HEX LOW M18X1.5
 - [21] - WASHER FLAT 6X18
 - [22] - SCR, PAN PHIL M6X16
 - [23] - NOT SHOWN (POS.1-2-3-4-5-6-7-8-10-11-12-13-14-15-16-18-19-20-21-35-46-50-51)

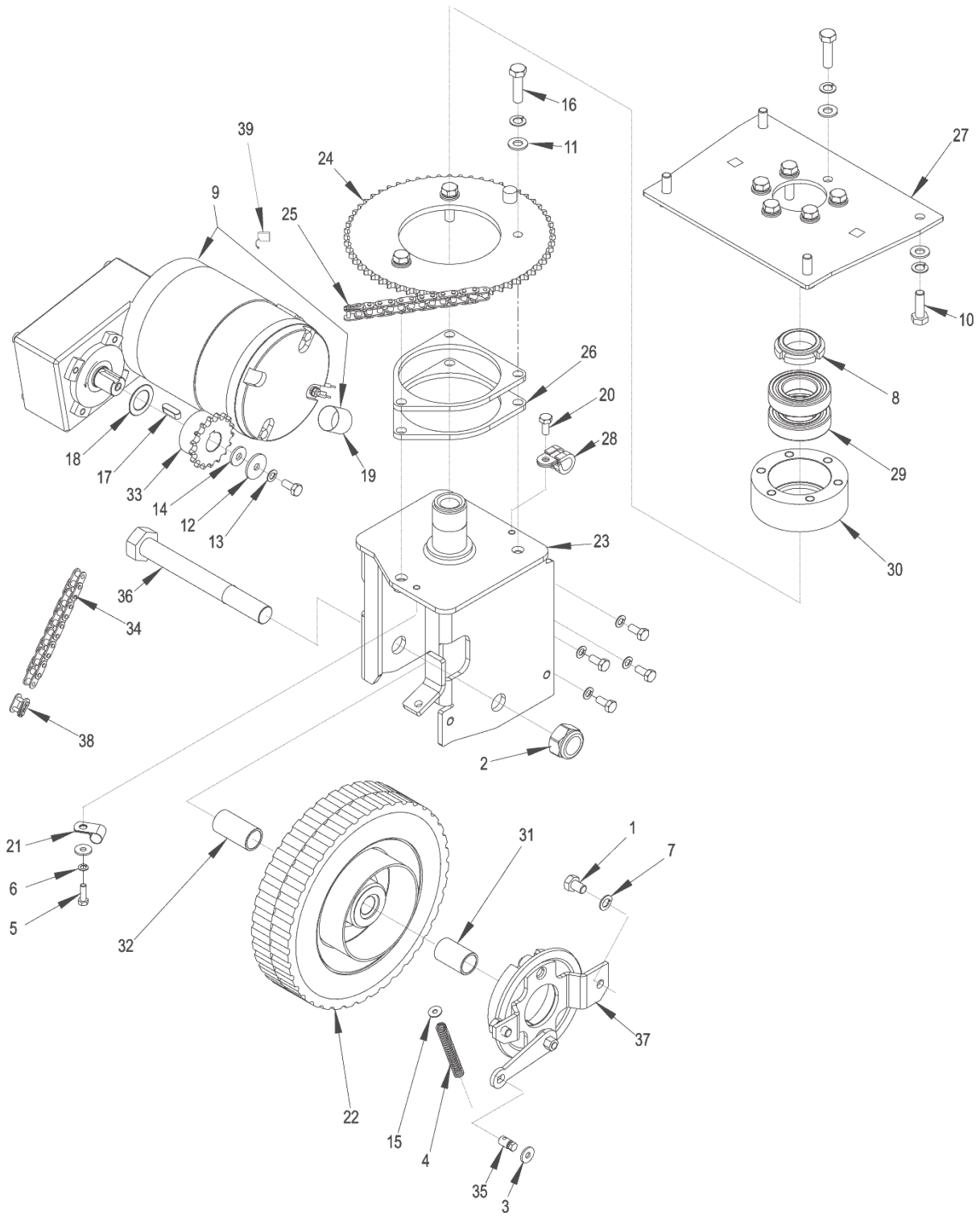


Pos.	Vare-nr	Antal	Beskrivelse	Notes
1		2	NUT SELFLOCKING M8	[1]
2		2	SCREW M8X12	[2]
3	909 5896 000	1	Clamp.Hose D.14	
4		1	NUT SELFLOCKING M18	[3]
5		2	SPACER	[4]
6	145 2529 000	1	ROD THREADED M6X55MM	[5]
7		2	WASHERSPLIT M8	[6]
8	146 2166 000	1	Reduction Gearmotor Cpl Con/Sheath	
9		2	SCREW M8X25	[7]
10		1	WASHER FLAT M6X24	[8]
11		1	NUT M6	[9]
12		5	WASHER SPLIT 6	[10]
13		1	WASHER FLAT 6X18	[11]
14		1	KEY 6X6X20	[12]
15		1	SPACER	[4]
16	146 1926 000	1	SUPPORT FRONT WHEEL	[5]
17	146 1927 000	1	BRACKET	[5]
18	146 1928 000	1	GASKET	[5]
19	146 1929 000	1	SHEATH	
20		1	GREASER NIPPLE M6	[13]
21	1463184000	1	Forhjul Sr 1000	[14]
22	1467636000	1	BEARING TAPER ROLLER 32006 SIP	[15]
23	145 0225 000	1	BEARING BALL 6006 2RS1	
24	145 2574 000	1	SPACER 17X33	
25	145 2575 000	1	SPACER 17X41	
26	145 0221 000	1	Hjul, Z17 3/8 7/32	
27	145 2713 000	1	Kæde 3/8	[16]
28	145 9604 000	1	Link 3/8	[17]
29	145 0222 000	1	Kæde 3/8	
30	145 2576 000	1	PIN	
31	1466518000	1	BRAKE FRONT WHEEL SIP	
32		6	SCREW M6X14	[18]
33	145 4535 000	1	FORK M6	
34	145 4536 000	1	CIRCLIP M6	
35	1467516000	1	CLEVIS M6X24 GALV. DIN71752 SIP	
36	145 9410 000	1	CIRCLIP M6	
37	1464432000	1	Brush Carbon Kit 4Pcs	
38		1	NUT HEX. SELFLOCK LOW M6	[19]
K1	146 2229 000	1	HARDWARE DRIVE KIT	[20]

Part Notes:

- [1] - NUT SELFLOCKING M8
- [2] - SCREW M8X12
- [3] - NUT SELFLOCKING M18
- [4] - SPACER
- [5] - GUARANTEE DATE EXPIRED
- [6] - WASHERSPLIT M8
- [7] - SCREW M8X25
- [8] - WASHER FLAT M6X24
- [9] - NUT M6
- [10] - WASHER SPLIT 6
- [11] - WASHER FLAT 6X18
- [12] - KEY 6X6X20
- [13] - GREASER NIPPLE M6
- [14] - TSB IT 2007-025
- [15] - Till S/N 06221124
- [16] - STOCK COVERS GUARANTEE
- [17] - GUARANTEE DATE EXPIRED
TILL S/N 06221124

- [18] - SCREW M6X14
- [19] - NUT HEX. SELFLOCK LOW M6
- [20] - NOT SHOWN (POS.1-2-4-5-7-9-10-11-12-13-14-15-20-32-38)

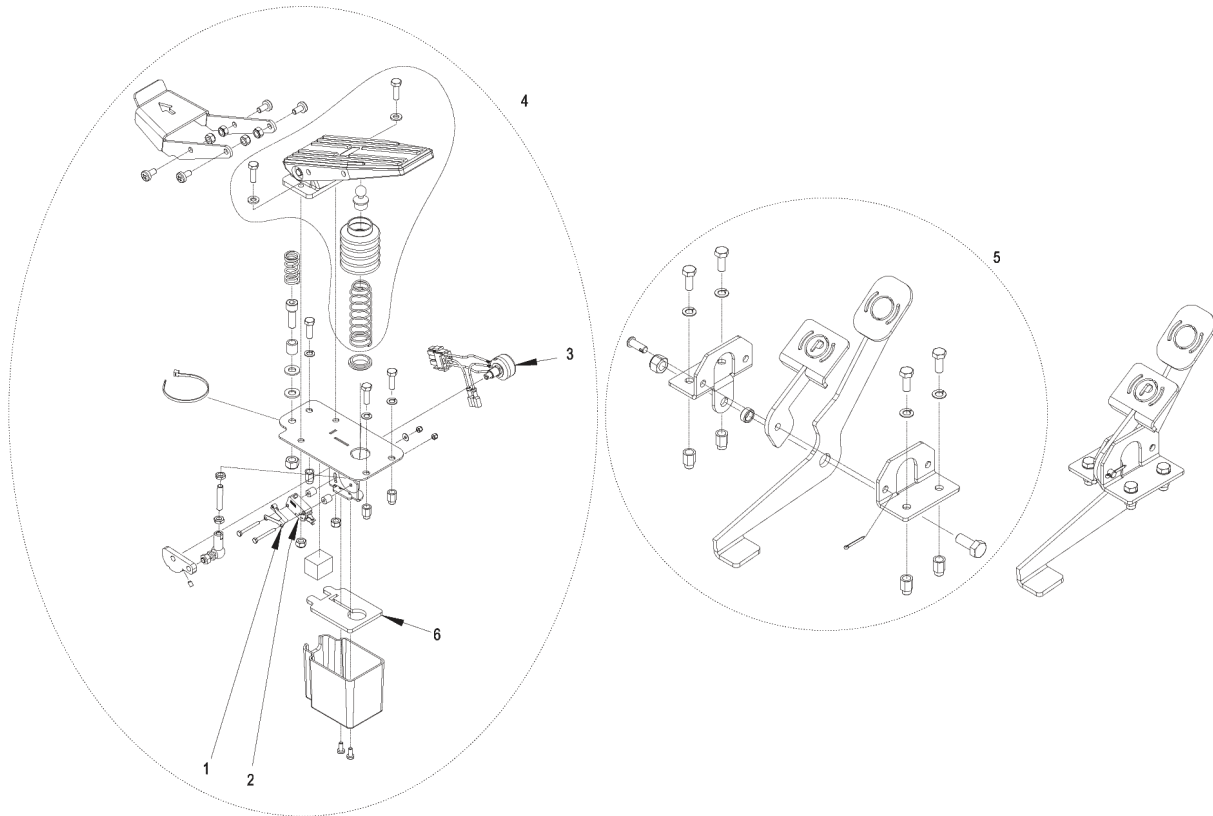


Pos.	Vare-nr	Antal	Beskrivelse	Notes
1		2	SCREW M8X12	[1]
2		1	NUT SELFLOCKING M18	[2]
3		2	WASHER	[3]
4	145 1935 000	1	Filter Shaker Spring	
5		1	SCREW HEX HD M5X16	[4]
6		1	WASHER	[3]
7		15	WASHER SPLIT 8	[5]
8		1	NUT RING SELFLOCKING	[6]
9	146 2166 000	1	Reduction Gearmotor Cpl Con/Sheath	
10		4	SCREW HEX HD M8X25	[7]
11		13	WASHER FLAT 8X17	[8]
12		1	WASHER FLAT 6X24	[9]
13		5	WASHER SPLIT 6	[10]
14		1	WASHER FLAT 6X18	[11]
15		1	WASHER FLAT 4X12	[12]
16		9	SCREW HEX HD M8X30	[13]
17		1	KEY	[14]
18		1	SPACER	[15]
19	146 1929 000	1	SHEATH	
20		6	SCREW HEX HD 6X14	[16]
21	146 2417 000	1	CLAMP D. 10	
22	1463184000	1	Forhjul Sr 1000	[17]
23	1464456000	1	SUPPORT FRONT WHEEL	
24	146 2935 000	1	CROWN STEERING	
25	145 1784 000	1	Kæde	
26	146 2937 000	2	SPACER GALV. F STEERING SPROCKET WHEEL	
27	146 2938 000	1	PLATE SUPPORT FRONT WHEEL	
28	909 5896 000	1	Clamp.Hose D.14	
29	145 0225 000	2	BEARING BALL 6006 2RS1	
30	145 2568 000	1	Flange	
31	145 2574 000	1	SPACER 17X33	
32	145 2575 000	1	SPACER 17X41	
33	145 0221 000	1	Hjul, Z17 3/8 7/32	
34	145 0222 000	1	Kæde 3/8	
35	145 9366 000	1	Klamma	
36	145 2576 000	1	PIN	
37	1466518000	1	BRAKE FRONT WHEEL SIP	
38	145 9604 000	1	Link 3/8	[18]
39	1464432000	1	Brush Carbon Kit 4Pcs	
K1	1464399000	1	HARDWARE DRIVE KIT	[19]

Part Notes:

- [1] - SCREW M8X12
- [2] - NUT SELFLOCKING M18
- [3] - WASHER
- [4] - SCREW HEX HD M5X16
- [5] - WASHER SPLIT 8
- [6] - NUT RING SELFLOCKING
- [7] - SCREW HEX HD M8X25
- [8] - WASHER FLAT 8X17
- [9] - WASHER FLAT 6X24
- [10] - WASHER SPLIT 6
- [11] - WASHER FLAT 6X18
- [12] - WASHER FLAT 4X12
- [13] - SCREW HEX HD M8X30
- [14] - KEY
- [15] - SPACER
- [16] - SCREW HEX HD 6X14
- [17] - TSB IT 2007-025

- [18] - GUARANTEE DATE EXPIRED
TILL S/N 06221124
- [19] - NOT SHOWN (POS.1,2,3,5,6,7,8,10,11,12,13,14,15,16,17,18,20)



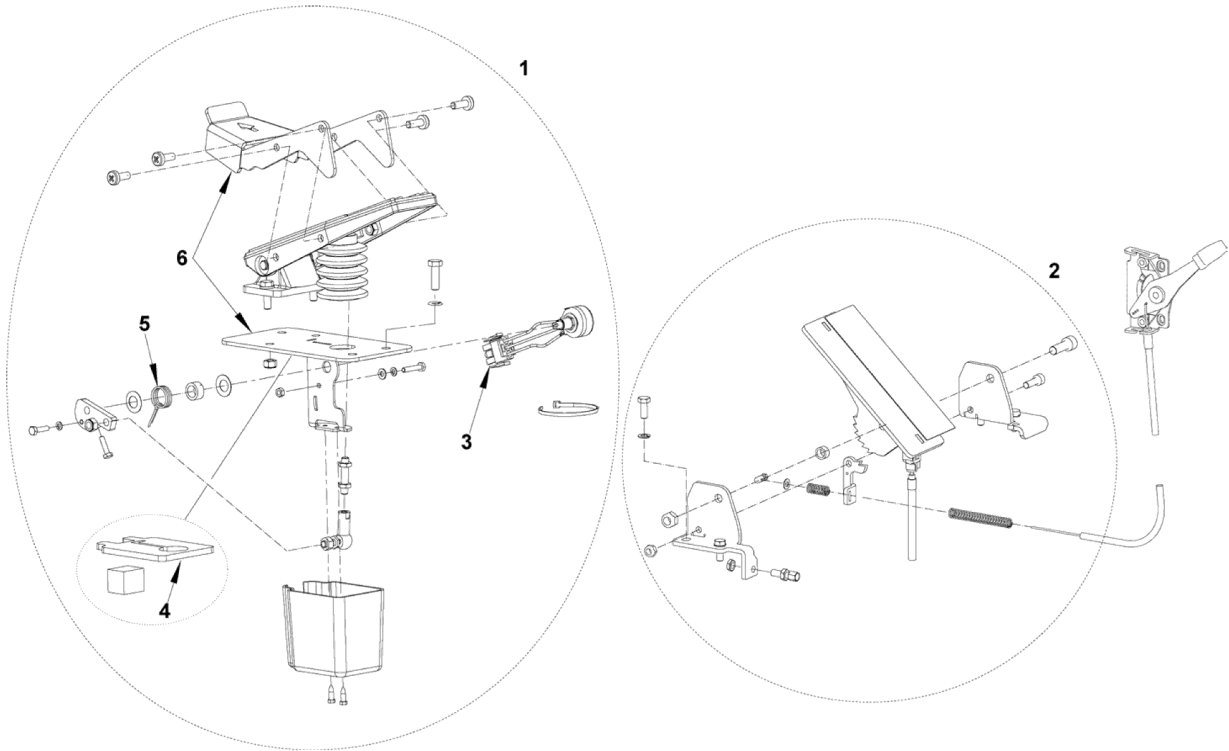
Resource notes:

A: before S/N 051807363 B: before S/N 062211241

Pos.	Vare-nr	Antal	Beskrivelse	Notes
1	1466509000	1	CONTACT F MICROSWITCH SIP	[1]
2	1466508000	1	MICROSWITCH 16A 250V SIP	[1]
3	146 2480 000	1	Harness Drive Pedal	
4	146 2134 000	1	PEDAL SPEED CONTROL KIT W/MICRO SWITCH	[2]
5	146 2122 000	1	PEDAL BRAKE KIT	[2]
6	146 2315 000	1	GASKET. PEDAL	

Part Notes:

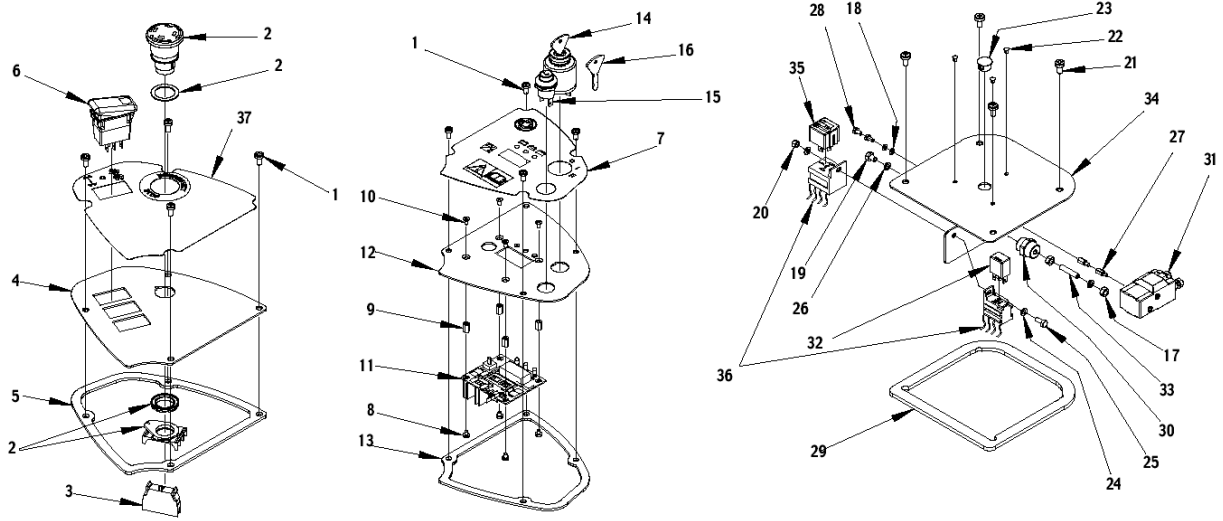
- [1] - before S/N 051807363
- [2] - GUARANTEE DATE EXPIRED



Pos.	Vare-nr	Antal	Beskrivelse	Notes
1	146 2952 000	1	Gaspedal, Kontrol Kit Br 651-751 Sr 1000	[1]
2	1464401000	1	PEDAL BRAKE KIT	[2]
3	146 2480 000	1	Harness Drive Pedal	
4	146 2315 000	1	GASKET. PEDAL	
5	1467038000	1	PEDAL SPRING PKD	
6	146 2932 000	1	SUPPORT AND BRACKET KIT	
7	1467680000	1	BRAKE CABLE SIP	[3]

Part Notes:

- [1] - starting from S/N 051807363
- [2] - starting from S/N 062211241
- [3] - NOT SHOWN



Pos.	Vare-nr	Antal	Beskrivelse	Notes
1		8	SCREW M5X10	[1]
2	1466683000	1	SWITCH EMERGENCY KIT	
3	146 1728 000	1	Kontakt	
4	146 1930 000	1	CONTROL PANEL LEFT	
5	146 1932 000	1	GASKET CONTROL PANEL LEFT	
6	146 1935 000	1	Switch	
7	146 1882 000	1	DECAL CONTROL PANEL RT	
8		4	SCREW M4X5	[2]
9		4	SPACER	[3]
10		4	SCREW M4X8	[4]
11	1466161000	1	CONTROLLER MAIN MACHINE KIT	[5]
12	146 1931 000	1	CONTROL PANEL RIGHT	
13	146 1933 000	1	GASKET CONTR. PANEL RIGHT	
14	33020442	1	Nøgleafbryder M. Nøgle	
15	145 9678 000	1	SWITCH HORN	
16	1467014000	1	KEY F STARTER SWITCH 2 PCS SET	
17		2	NUT M6	[6]
18		2	WASHER D.4	[7]
19		1	SCREW M6X8	[8]
20		1	NUT SELFLOCKING M5	[9]
21		4	SCREW M6X12	[10]
22		3	CAP	[11]
23	145 8008 000	1	PLUG DOME PLASTIC BLACK D.18.2	
24		2	WASHER FLAT 5X10	[12]
25		1	SCREW M5X12	[13]
26		2	WASHER D.6	[14]
27		2	SPACER	[3]
28		2	SCREW M4X8	[4]
29	146 0697 000	1	GASKET ADHESIVE F CONTR. PANEL	
30	146 0708 000	1	INSULATOR M6 WHITE	
31	146 0719 000	1	Relæ, Ba410	
32	146 1646 000	1	Relay 24V	
33	146 1678 000	1	SCREW GRUB M6X30 CUP POINT ISO4029	
34	146 1936 000	1	Control Panel	
35	145 3712 000	1	Relæ, 24V	
36	146 1903 000	1	HARNES REAR CONTROL PAN.	
37	146 1883 000	1	DECAL CONTROL PANEL LT	
38	146 1902 000	1	HARNES CONTROL PANEL	[15]
K1	1464402000	1	HARDWARE CONTR. PANEL KIT	[16]

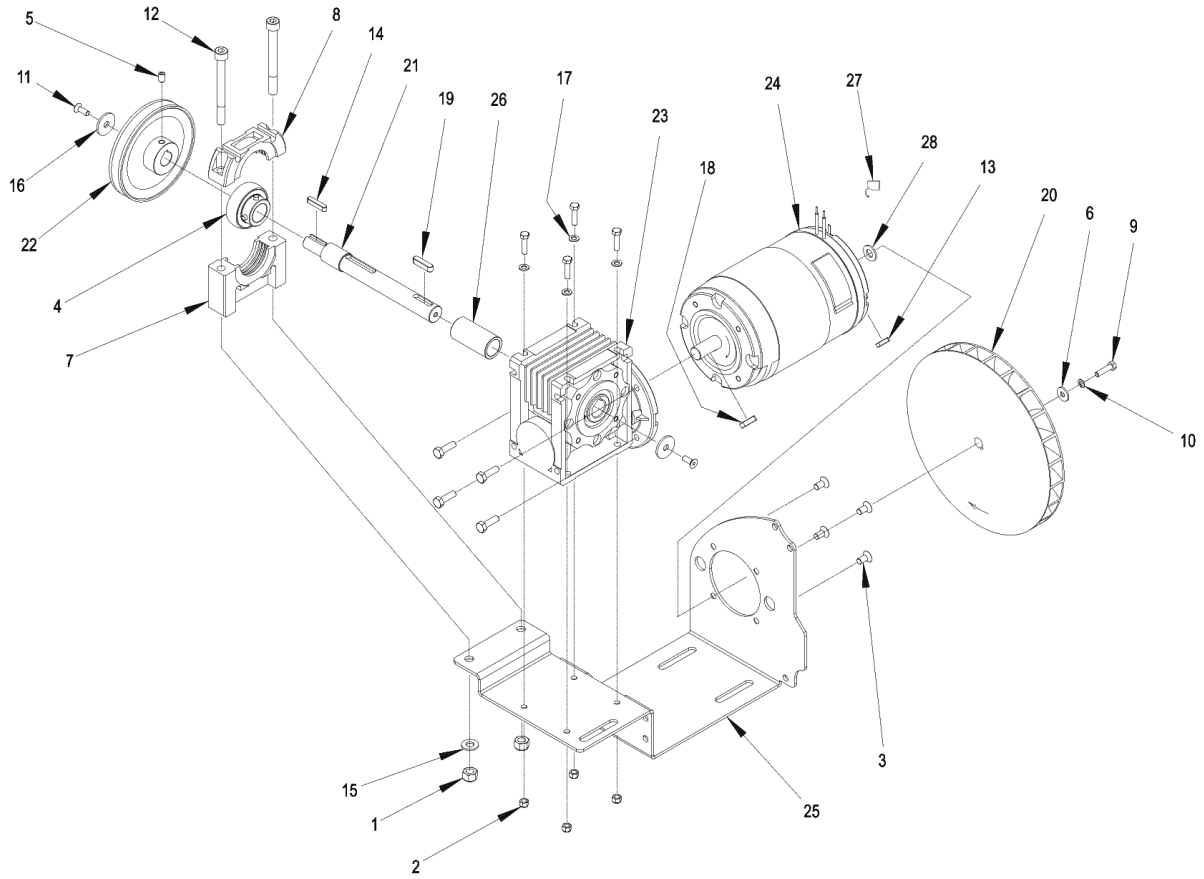
Part Notes:

- [1] - SCREW M5X10
- [2] - SCREW M4X5
- [3] - SPACER
- [4] - SCREW M4X8
- [5] - INST. INSTR. 1465914000
- [6] - NUT M6
- [7] - WASHER D.4
- [8] - SCREW M6X8
- [9] - NUT SELFLOCKING M5
- [10] - SCREW M6X12
- [11] - CAP
- [12] - WASHER FLAT 5X10
- [13] - SCREW M5X12
- [14] - WASHER D.6
- [15] - NOT SHOWN
- [16] - NOT SHOWN (POS.1-8-9-10-17-18-19-20-21-22-24-25-26-27-28)

Pos.	Vare-nr	Antal	Beskrivelse	Notes
1		1	NUT SELFLOCKING M8	[1]
2		2	NUT SELFLOCKING M6	[2]
3		3	WASHER SPLIT 8	[3]
4		3	SCREW M8X16	[4]
5		1	SCREW M8X25	[5]
6	146 3135 000	1	SPRING	
7		5	WASHER FLAT 8X24	[6]
8		1	SCREW M6X20	[7]
9		1	SPACER	[8]
10	146 3136 000	1	BELT SPZX 1212	
11	33023226	2	SCREW M6X30 HEX HD ISO4017 10 PCS SET	
12		1	SCREW M6X30	[9]
13		1	WASHER SPLIT 10	[10]
14		1	SCREW M10X20	[11]
15		1	BALL BEARING	[12]
16		1	RETAINING RING	[13]
17		1	BELT TENSIONER ARM	[14]
18		1	SPACER	[8]
19		1	BEARING WITH FLANGE	[15]
20		1	BELT TENSIONER ROLLER	[16]
21	146 1684 000	1	Batteri beholder	
K1	1464403000	1	HARDWARE TRANSMISSION KIT	[17]

Part Notes:

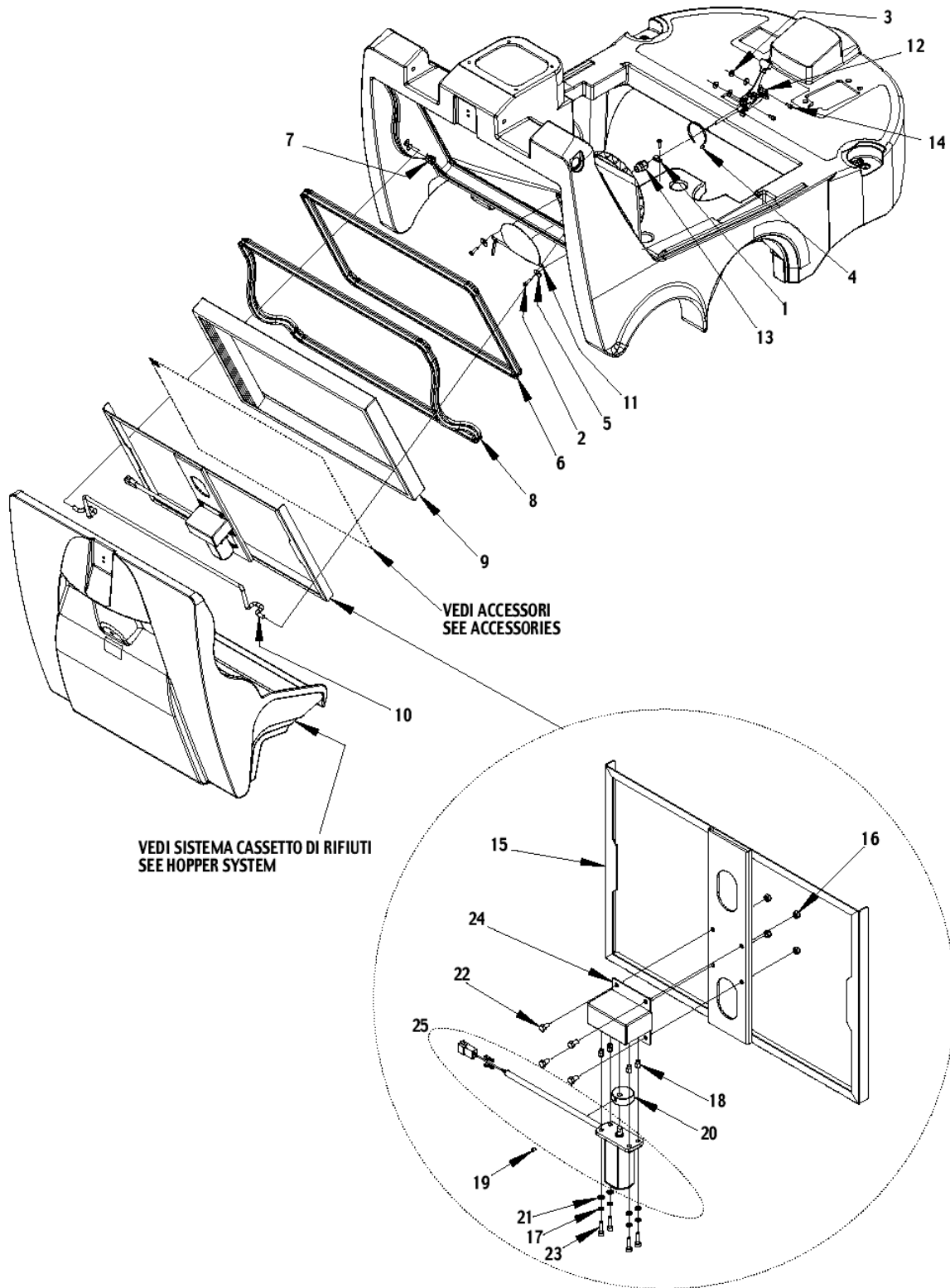
- [1] - NUT SELFLOCKING M8
- [2] - NUT SELFLOCKING M6
- [3] - WASHER SPLIT 8
- [4] - SCREW M8X16
- [5] - SCREW M8X25
- [6] - WASHER FLAT 8X24
- [7] - SCREW M6X20
- [8] - SPACER
- [9] - SCREW M6X30
- [10] - WASHER SPLIT 10
- [11] - SCREW M10X20
- [12] - BALL BEARING
- [13] - RETAINING RING
- [14] - BELT TENSIONER ARM
- [15] - BEARING WITH FLANGE
- [16] - BELT TENSIONER ROLLER
- [17] - NOT SHOWN (POS. 1-2-3-4-5-7-8-9-12-13-14-15-16-17-18-19-20)



Pos.	Vare-nr	Antal	Beskrivelse	Notes
1		1	NUT SELFLOCKING M8	[1]
2		2	NUT SELFLOCKING M6	[2]
3		3	WASHER SPLIT 8	[3]
4	145 1123 000	1	Kullager, Aw 400-Serien	
5		1	SCREW M8X25	[4]
6		1	WASHER FLAT 5X15	[5]
7	145 1976 000	1	Lejepande Aw	
8	145 1977 000	1	Support	
9		1	SPACER	[6]
10		5	WASHER FLAT 8X24	[7]
11		1	SCREW M6X20	[8]
12		1	SCREW M6X30	[9]
13	146 1489 000	1	Key 4X4X15 Uni6604A	[10]
14	1466146000	1	KEY 5X5X25 UNI6604A PKD	[11]
15		1	BALL BEARING	[12]
16		1	RETAINING RING	[13]
17		1	BELT TENSIONER ARM	[14]
18	1466147000	1	KEY 5X5X20 UNI6604A PKD	[6]
19	145 9899 000	1	KEY 6X6X25 UNI6604A	[15]
20	146 0537 000	1	Blæserhjul	
21	146 0540 000	1	SHAFT TRANSMISSION	
22	146 1921 000	1	PULLEY	
23	1463249000	1	REDUCTION GEAR COMPLETE 5 1	
24	1467528000	1	MOTOR ELECTRIC 600W 24V SIP	
25	146 1924 000	1	PLATE. SUPPORTING	
26	146 1925 000	1	SPACER	
27	L08603949	1	Kul Kit 4 Stk	
28	146 2814 000	1	WASHER F ELECTRIC MOTOR	
K1	1464404000	1	HARDWARE REDUCT.MOTOR KIT	[16]

Part Notes:

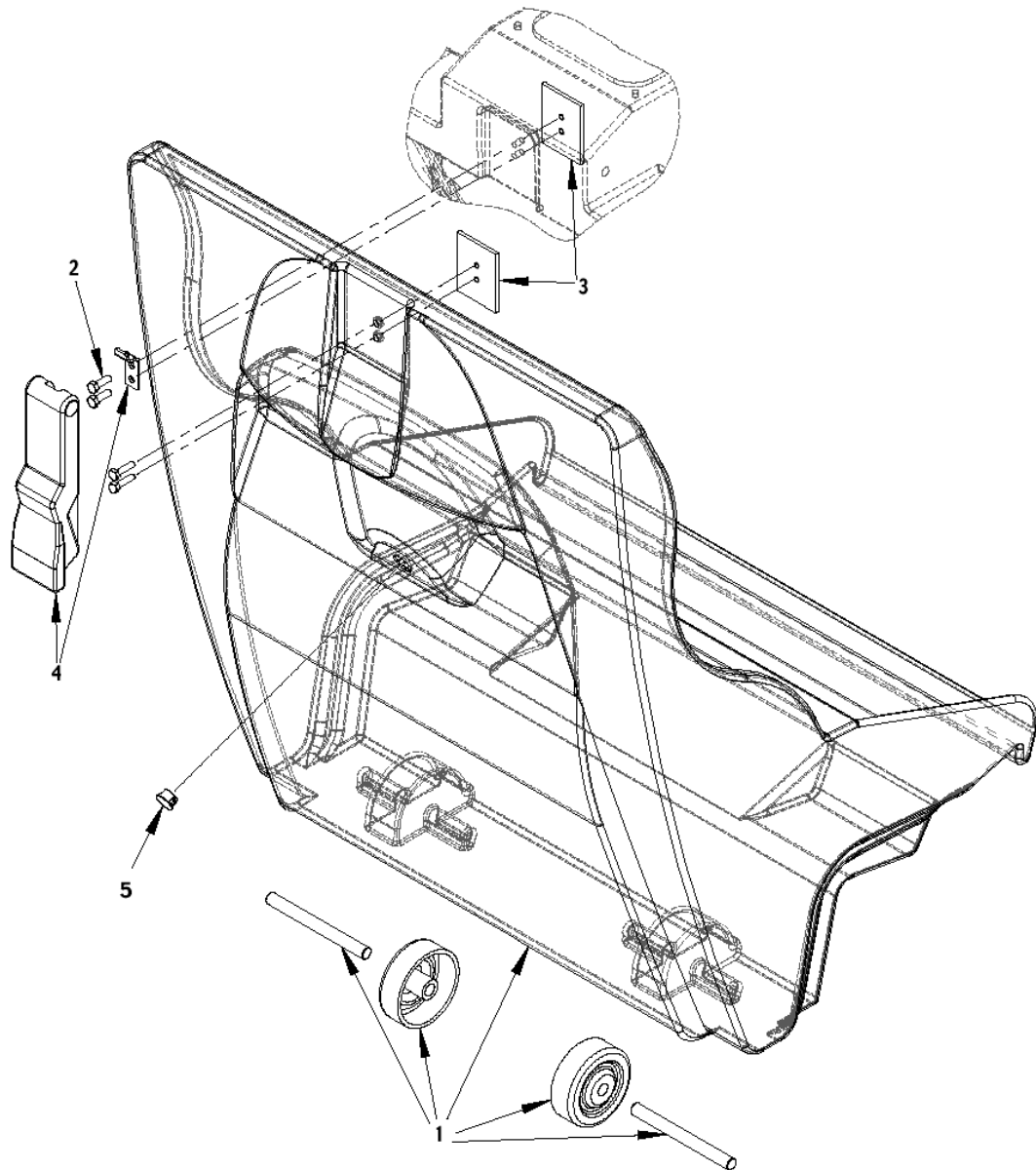
- [1] - NUT SELFLOCKING M8
- [2] - NUT SELFLOCKING M6
- [3] - WASHER SPLIT 8
- [4] - SCREW M8X25
- [5] - WASHER FLAT 5X15
- [6] - SPACER
- [7] - WASHER FLAT 8X24
- [8] - SCREW M6X20
- [9] - SCREW M6X30
- [10] - WASHER SPLIT 10
- [11] - SCREW M10X20
- [12] - BALL BEARING
- [13] - RETAINING RING
- [14] - BELT TENSIONER ARM
- [15] - BEARING WITH FLANGE
- [16] - NOT SHOWN (POS.1-2-3-5-6-9-10-11-12-13-14-15-16-17-18-19)



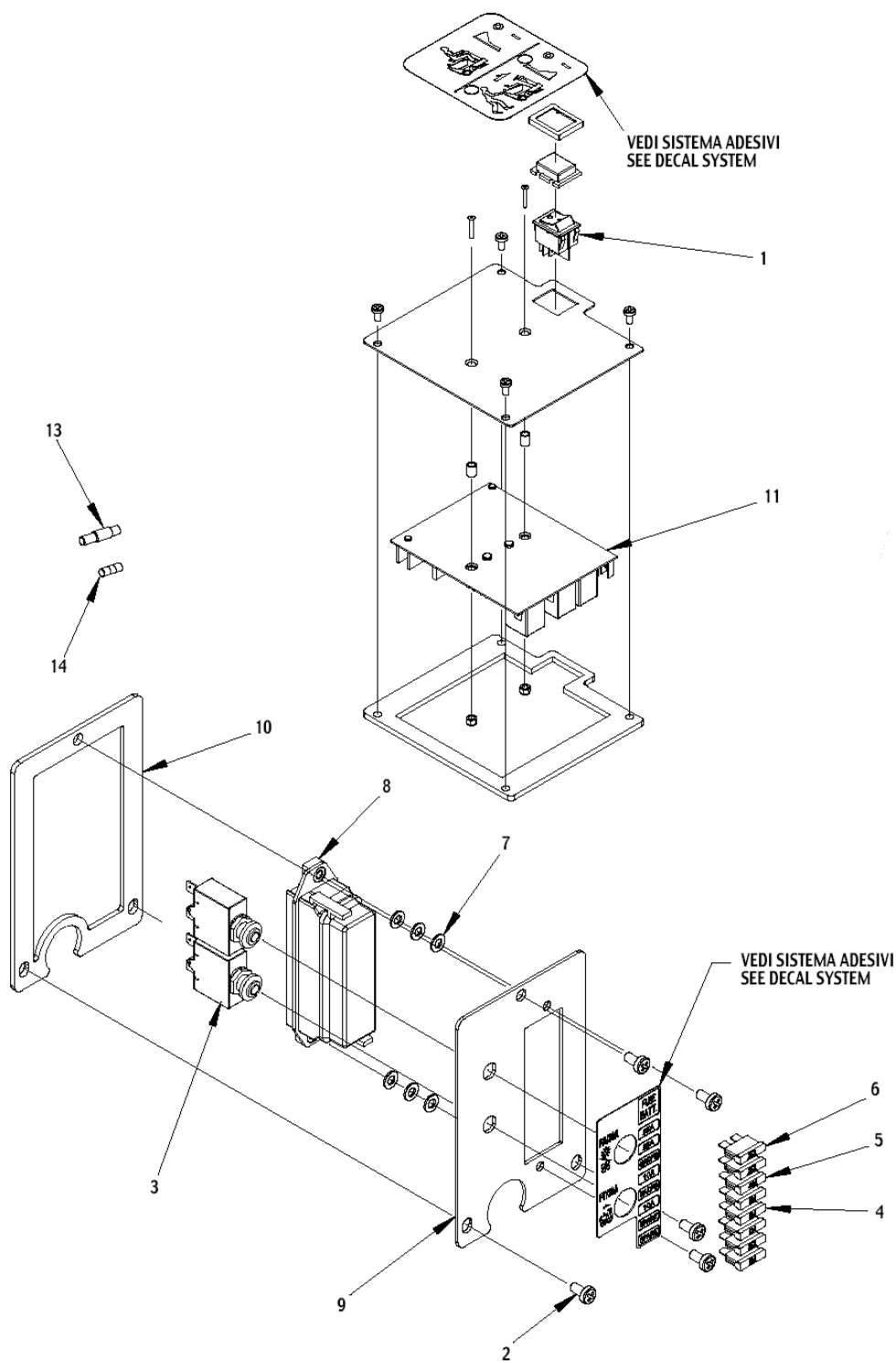
Pos.	Vare-nr	Antal	Beskrivelse	Notes
1		1	CLAMP GREY	[1]
2		3	SCREW M4.6X19.2	[2]
3		4	WASHER FLAT 5X15	[3]
4		1	CLAMP	[4]
5		2	WASHER FLAT 5X20	[5]
6	146 0630 000	1	Pakning	
7	146 0661 000	1	GROMMET	
8	146 0741 000	1	Pakning	
9	146 1888 000	1	Filter papir	
9	146 1989 000	1	Filter polyester antistatisk	
9	146 1988 000	1	Filter polyester	
10	146 1889 000	1	Spænde For Filter	
11	146 1890 000	1	VALVE. THROTTLE	
12	146 1891 000	1	CABLE	[6]
13	146 1892 000	1	CLAMP CABLE	
14		2	SCREW M5X10	[7]
14	146 2127 000	2	SCREW M5X10 CAP HD HEX SOCK ISO4762	
15	146 1947 000	1	FRAME FOR PANEL FILTER	
16		4	NUT SELFLOCKING M6	[8]
17		4	WASHER SPLIT 5	[9]
18		4	INSERT HEX. 5	[10]
19		1	DOWEL	[11]
20	1466857000	1	CAM F FILTER SHAKER KIT	
21		4	WASHER FLAT M5X10	[12]
22		4	SCREW M6X12	[13]
23		4	SCREW M5X20	[14]
24	1466335000	1	BRACKET FILTER SHAKER SIP	
25	1466314000	1	MOTOR FILTER SHAKER 12W 24V KIT	
26	146 1893 000	1	PRE-FILTER	[15]
K1	1464405000	1	HARDWARE DUST CONTROL KIT	[16]

Part Notes:

- [1] - CLAMP GREY
- [2] - SCREW M4.6X19.2
- [3] - WASHER FLAT 5X15
- [4] - CLAMP
- [5] - WASHER FLAT 5X20
- [6] - GUARANTEE DATE EXPIRED
- [7] - SCREW M5X10
- [8] - NUT SELFLOCKING M6
- [9] - WASHER SPLIT 5
- [10] - INSERT HEX. 5
- [11] - DOWEL
- [12] - WASHER FLAT M5X10
- [13] - SCREW M6X12
- [14] - SCREW M5X20
- [15] - NOT SHOWN - OPTIONAL
- [16] - NOT SHOWN (POS.1-2-3-4-5-14-16-17-18-19-21-22-23)



Pos.	Vare-nr	Antal	Beskrivelse	Notes
1	1466159000	1	CONTAINER WASTE GREY ROTOMOULDED KIT	
2	33003963	4	SCREW M5X20 HEX HD F/THD ISO4017	
3	146 0562 000	2	Plate	
7	146 0520 000	1	Gummi Ophæng	
5	145 4259 000	1	Dæksel, Sort	

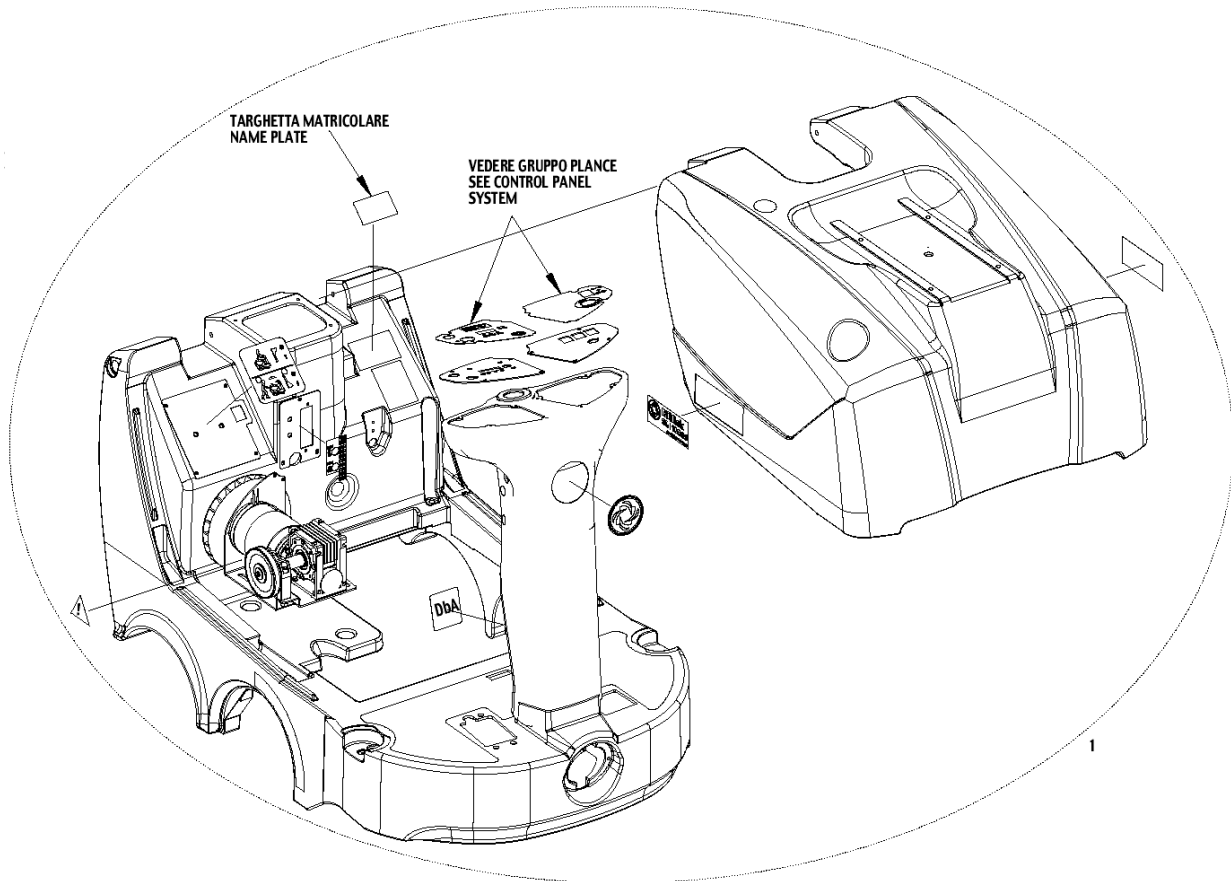


Pos.	Vare-nr	Antal	Beskrivelse	Notes
1	909 5668 000	1	Switch Komplet	
2	L08603041	4	Skrue M5X10 F/Ca340 F/Sugemundstk.	
3	909 5706 000	2	Sikring 30A	
4	1467034000	3	FUSE BLADE 10A SIP	
5	145 0227 000	1	Sikring 40 A, Autosikring	
6	145 8514 000	2	Sikring 25A	
7	33023195	1	WASHER PLAIN M5 ISO7089 10 PCS SET	
8	146 1170 000	1	Holder Fuse 8 Ways	
9	146 1952 000	1	PANEL. ELECTR.COMPONENTS	
10	146 1953 000	1	GASKET	
11	1466174000	1	CONTROLLER DRIVE WHEEL PKD	
13	146 2243 000	1	HOLDER FUSE	
15	146 1986 000	1	Ladestik Rød 120A	
16	1463241000	1	HARNESS SEAT MICRO KIT	[1]

Part Notes:

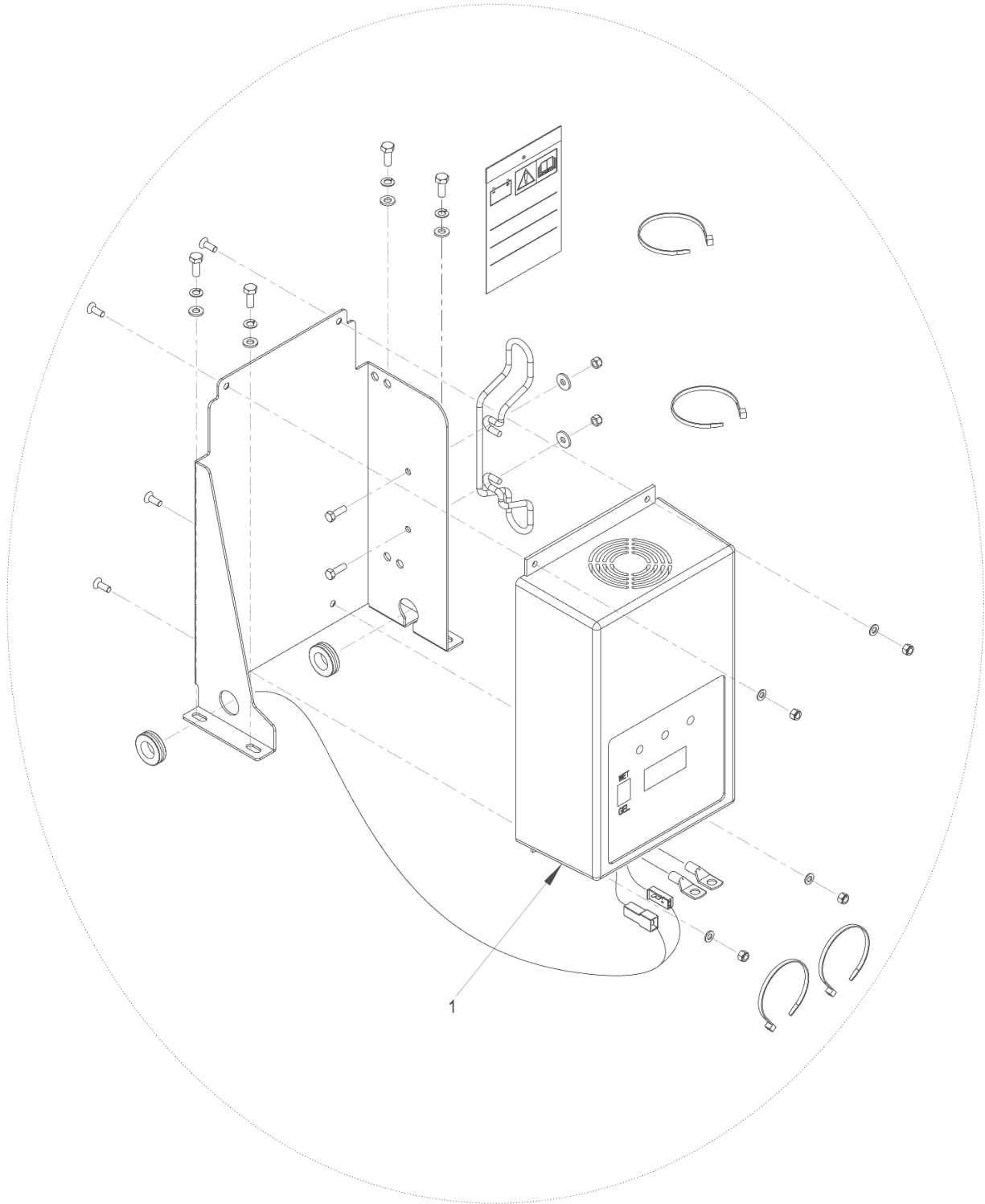
[1] - GUARANTEE DATE EXPIRED

NOT SHOWN - INSTAL.INSTR. 1463243000



Pos.	Vare-nr	Antal	Beskrivelse	Notes
1	1463742000	1	DECALS SR 1000S B KIT	

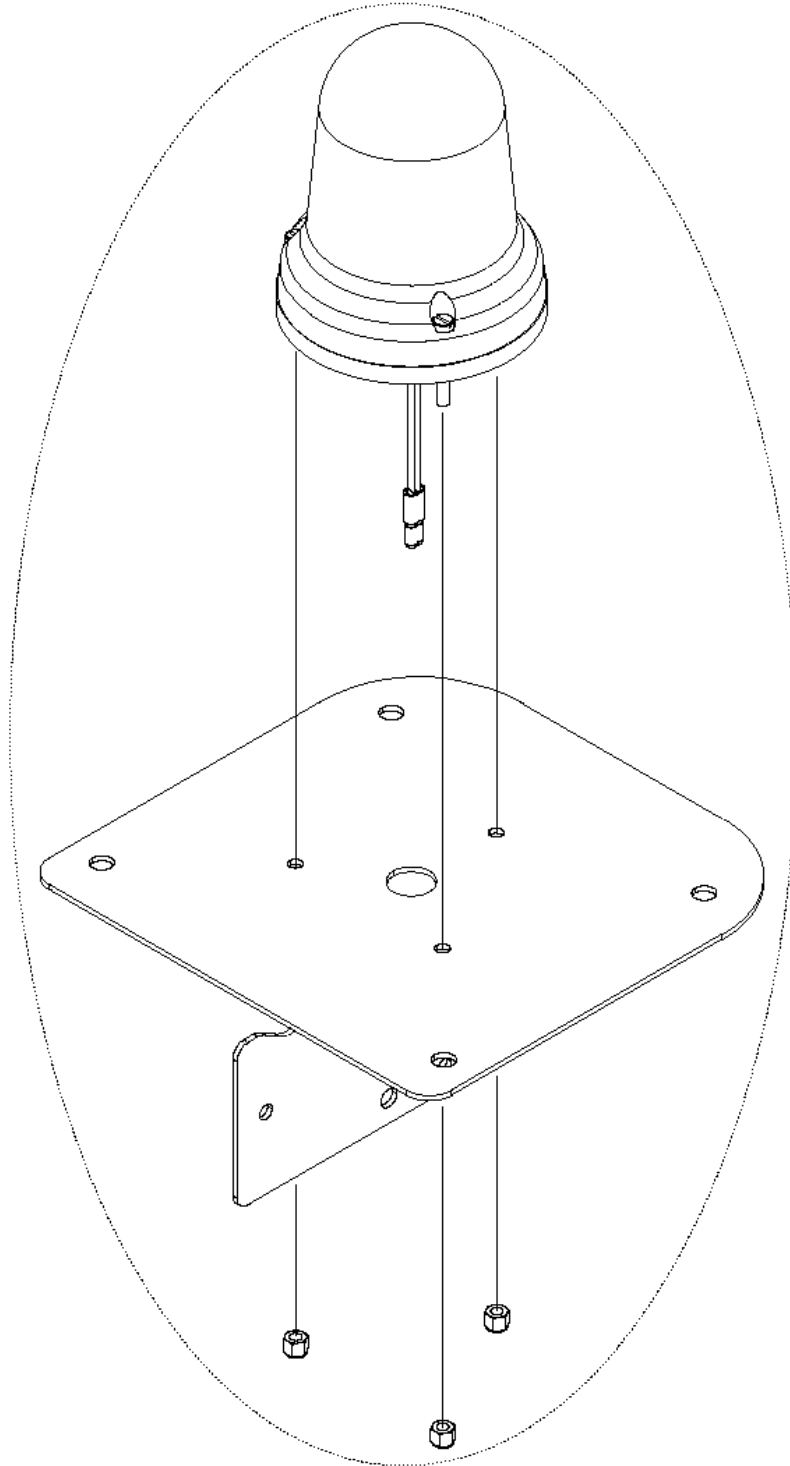
KIT CARICA BATTERIA / BATTERY CHARGER KIT



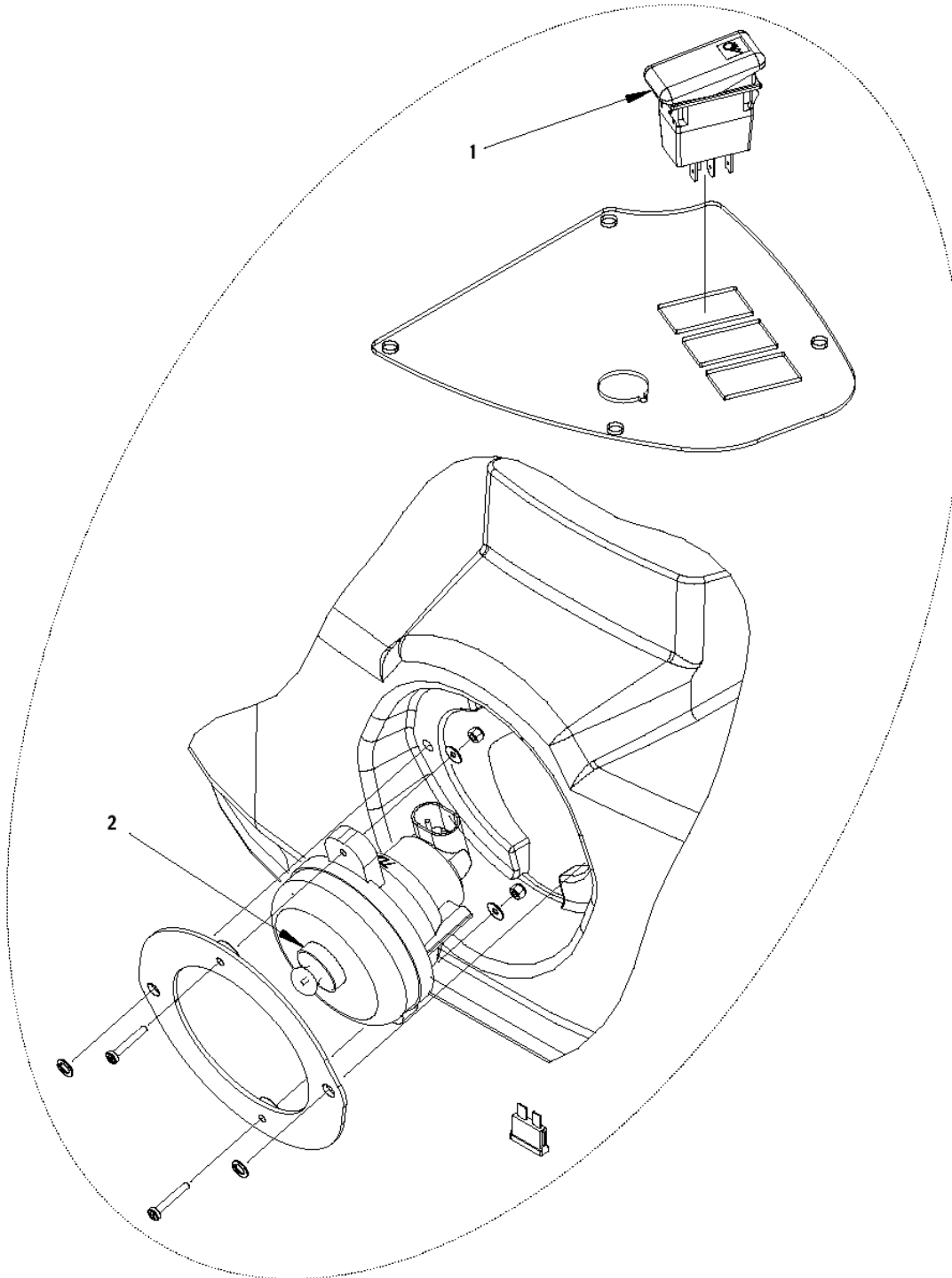
Pos.	Vare-nr	Antal	Beskrivelse	Notes
0A	146 2052 000	1	Indbygget oplader 24V 25A	[1]
1A	146 2131 000	1	Charger Battery 230V Cpl.	[2]
2A	146 2142 000	1	FAN COOLING	[3]
3A	145 1726 000	1	FUSE 10A	[3]
4A	1466172000	1	CONTROLLER DISPLAY SIP	[3]
5A	146 2139 000	1	CARD ELECTRONIC BATTERY CHARGER	[3]
6A	146 0801 000	1	SWITCH WET/GEL	[3]
A7	146 2144 000	1	CABLE	[3]
0B	1464527000	1	Indbygget oplader 24V 13A	[4]
1B	1466315000	1	CHARGER BATT. ON BOARD 24V 13A 230V SIP	[5]
2B	1465917000	1	HARDWARE BATTERY CHARGER KIT	[6]
3B	9100000787	1	CABLE EXTENSION EU PLUG L.2000 PKD	[6]

Part Notes:

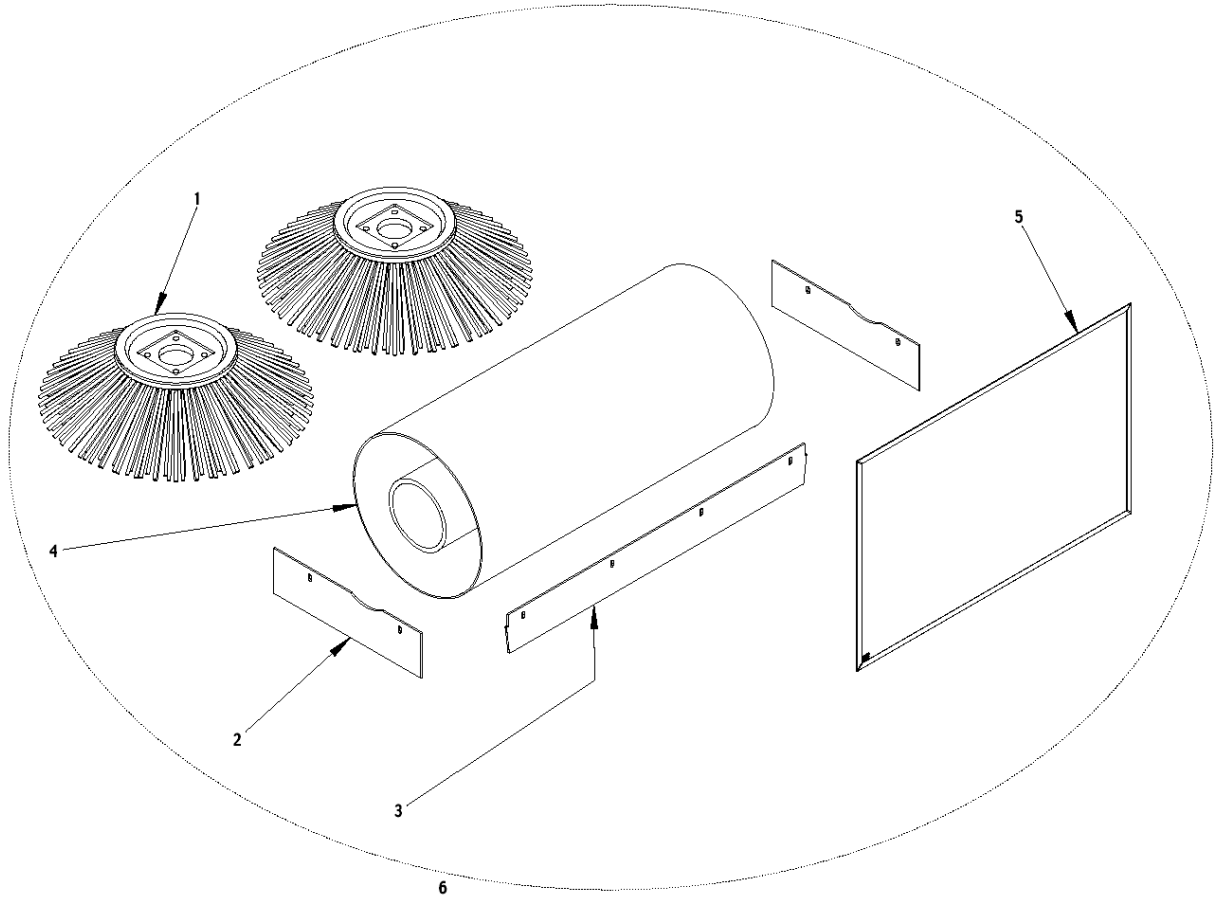
- [1] - NOT SHOWN - OPT. BEFORE SN 3810144200009 - FOR 146 2131 000 - INST. INSTR. 146 2055 000
- [2] - BEFORE SN 3810144200009
- [3] - NOT SHOWN - BEFORE SN 3810144200009 - FOR 146 2131 000
- [4] - NOT SHOWN - STARTING FROM BEFORE SN 3810144200009 - FOR 1466315000 - INST. INSTR. 1464529000
- [5] - STARTING FROM BEFORE SN 3810144200009
- [6] - NOT SHOWN - STARTING FROM BEFORE SN 3810144200009 - FOR 1466315000



Pos.	Vare-nr	Antal	Beskrivelse	Notes
0	146 2659 000	1	Advarselsblink kit	



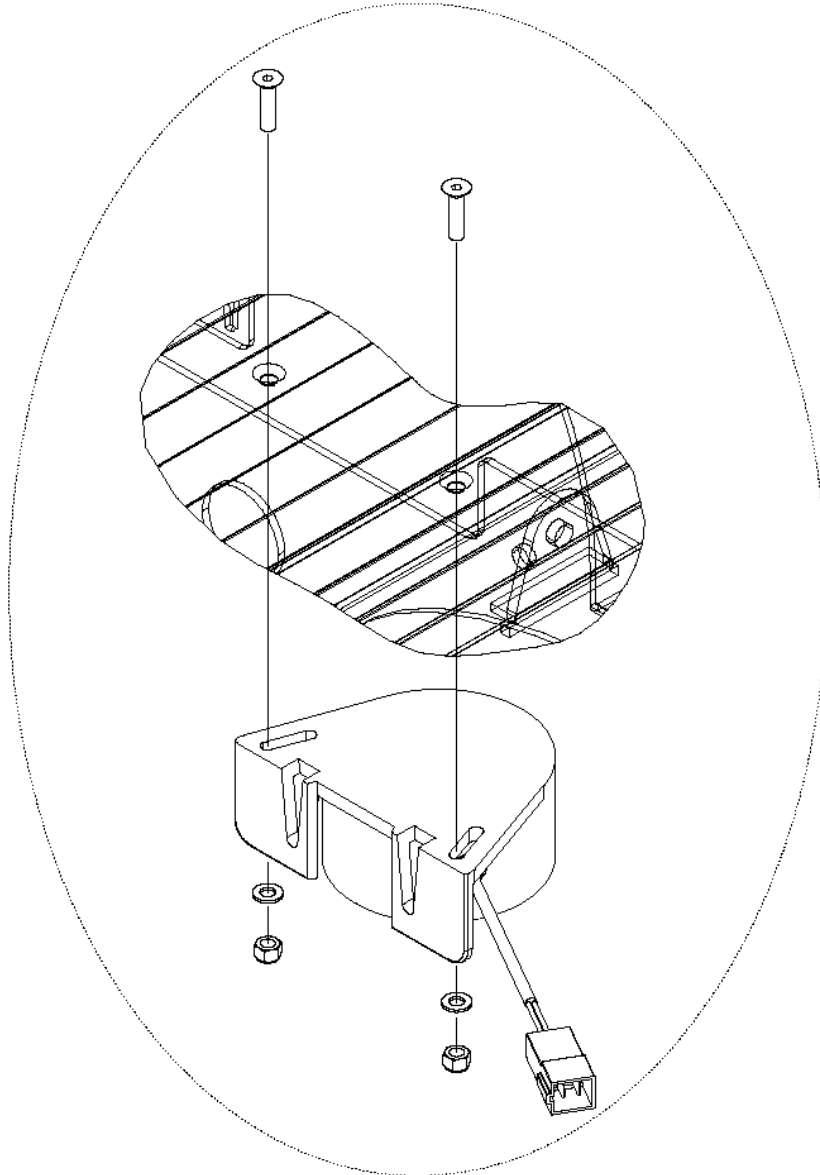
Pos.	Vare-nr	Antal	Beskrivelse	Notes
	146 2663 000	1	Kørellys	
1	146 1974 000	1	Kontakt	
2	145 5518 000	1	LAMP 24V 21W	



Pos.	Vare-nr	Antal	Beskrivelse	Notes
1	145 4976 000	2	Sidekost til tæpper/naturfiber	[1]
2	146 0587 000	2	Sværtefrit skørt, side	
3	146 0743 000	1	Sværtefrit skørt, bag	
4	146 0753 000	1	Fejevalse til tæpper/naturfiber	[1]
5	146 1893 000	1	PRE-FILTER	
6	146 2102 000	1	Tæppe kit	

Part Notes:

[1] - PI 2015-001 TTY



Pos.	Vare-nr	Antal	Beskrivelse	Notes
0	146 2661 000	1	Bakalarm	

Pos Item Bild Rép	Codice Ref. No. Art. Nr. Réf. No	Q.tà Qty Menge Qté	Descrizione	Description
			MATERIALE DI USURA	WEAR PARTS
1	146 1888 000	1	FILTRO IN CARTA	PAPER FILTER
2	146 0738 000	1	FLAP POST./ANT. STD (SBR - GOMMA NERA)	SKIRT REAR/FRONT PLATE STD (SBR - BLACK RUBBER)
3	146 0756 000	1	FLAP ANTERIORE MORBIDO STD	SOFT FRONT SKIRT STD
4	146 0555 000	2	FLAP LATERALE STD (SBR - GOMMA NERA)	SKIRT SIDE STD (SBR - BLACK RUBBER)
5	146 0748 000	1	SPAZZOLA CENTRALE STD (Ø 265X600 MM PPL)	MAIN BROOM (Ø 265X600 MM PPL)
6	145 1899 000	2	SPAZZOLA LATERALE (Ø 420 - PPL - Ø SETOLE = 0,8MM)	SIDE BROOM (Ø 420 - PPL - BRISTLE Ø = 0.8MM)
7	145 8514 000	2	FUSIBILE 25 A	FUSE 25 A
8	145 0227 000	1	FUSIBILE 40 A	FUSE 40 A
9	146 0068 00	4	FUSIBILE 10 A	FUSE 10 A
			MANUTENZIONE ORDINARIA	ORDINARY MAINTENANCE
10	145 9184 000	1	MOLLA PER LEVA TENDICINGHIA	BELT TENSIONER SPRING
11	146 1917 000	1	CINGHIA	BELT
12	146 0519 000	2	MOZZO SPAZZOLA LATERALE	SIDE BROOM HUB
13	145 8360 000	4	SPAZZOLA	CARBON BRUSH
14	145 5042 000	4	SPAZZOLA	CARBON BRUSH
			MANUTENZIONE STRAORDINARIA	EXTRAORDINARY MAINTENANCE
15	146 1899 000	2	RUOTA POSTERIORE	REAR WHEEL
16	145 0247 000	1	RUOTA ANTERIORE	FRONT WHEEL
17	146 0945 000	2	RULLO PARACOLPI	ROLLER BUMPER
18	145 4536 000	2	CLIPS M6	CLIPS M6
19	145 1975 000	1	CAVO ALZAFILAP	SKIRT RAIS. DEVICE CABLE
20	145 1935 000	1	MOLLA PER SCUOTIFILTRO	SPRING
21	145 8066 000	1	FRENO RUOTA ANTERIORE	FRONT WHEEL BRAKE
22	146 2122 000	1	KIT PEDALE FRENO	BRAKE PEDAL KIT
23	145 2713 000	1	CATENA 3/8 59 PASSI	CHAIN 3/8 59 LINKS
24	145 9604 000	1	MAGLIA DI GIUNZIONE	LINK
25	145 0222 000	1	CATENA 3/8 35 LINKS	CHAIN 3/8 35 LINKS
26	146 2166 000	1	MOTORIDUTTORE CPL 24V/400W	REDUCTION GEAR MOTOR CPL 24V/400W
27	146 1897 000	2	MOTORIDUTTORE 24V-60W	REDUCTION GEAR MOTOR 24V/60W
28	145 0274 000	2	MOLLA PER LEVA TENDICINGHIA	SPRING
29	146 1895 000	2	CAVO SPAZZOLA LATERALE	SIDE BROOM CABLE
30	146 0719 000	1	TELERUTTORE 24V	ELECTROMAGNETIC SWITCH 24V
31	146 1646 000	1	MICRO RELE' 24 V 10/15 A	RELAY 24 V 10/15 A
32	145 3712 000	1	RELÈ 24 V 10/20 A	RELAY 24 V 10/20 A
33	146 1721 000	1	SCHEDA ELETTRONICA DISPLAY	DISPLAY ELECTRONIC BOARD
34	146 0565 000	1	MICROINTERRUTTORE COFANO	HOOD SAFETY SWITCH
35	145 4691 000	1	CUSCINETTO	BALL BEARING
36	145 0225 000	1	CUSCINETTO	BALL BEARING
37	146 1928 000	1	GUARNIZIONE PARAOLIO	GASKET
38	145 0221 000	1	PIGNONE	PINION
39	146 0741 000	1	GUARNIZIONE CASSETTO	HOPPER GASKET
40	146 0630 000	1	GUARNIZIONE CASSETTO	HOPPER GASKET
41	146 1891 000	1	CAVO COMANDO ASPIRAZIONE	CABLE
42	146 2130 000	1	KIT MOTORE SCUOTIFILTRO CPL DI TERMINALI 24V	FILTER SHAKER MOTOR CPL 24V
43#	L08603152	1	INTERRUTTORE ACCENSIONE 20 A 250 V	MAIN SWITCH 20 A 250V
44	146 2134 000	1	KIT PEDALE AVANZAMENTO	SPEED CONTROL PEDAL KIT
45	146 1943 000	1	CABLAGGIO PEDALE	POTENTIOMETER
46#	L08812580	1	MICROINTERRUTTORE 16A/250V	MICROSWITCH 16A/250V
47#	L08812377	1	CONTATTO PER MICROINT.	CONTACT FOR MICROSWITCH
48	146 0073 00	1	CHIAVE DI ACCENSIONE	KEY
49	146 1944 000	1	SCHEDA TRAZIONE	SPEED CONTROLLER
50	145 9679 000	1	MICROINTERRUTTORE	MICROSWITCH
51	909 5706 000	2	FUSIBILE 30 A	CIRCUIT BREAKER 30 A

Resource notes:

POSITION 44: 146 2134 000 till machine serial number 051807363 - VALID TILL 18.05.2005 see TSB IT 2005-009TSB IT 2005-009. New accelerator pedal

Pos.	Vare-nr	Antal	Beskrivelse	Notes
1	146 1888 000	1	Filter papir	
2	146 0738 000	1	Skørt Front Sw700-850	
3	146 0756 000	1	Skirt Front Soft	
4	146 0555 000	2	Skørt,Side H/V Sw700S F/ Sw 700S	
5	146 0748 000	1	Fejevalse standard	
6	145 1899 000	2	Sidekost standard	
7	145 8514 000	2	Sikring 25A	
8	145 0227 000	1	Sikring 40 A, Autosikring	
9	1467034000	4	FUSE BLADE 10A SIP	
10	145 9184 000	1	Fjeder	
11	146 3136 000	1	BELT SPZX 1212	
12	146 0519 000	2	Nav F. Sidebørste	
13	1464432000	1	Brush Carbon Kit 4Pcs	
14	1464433000	4	Brush Carbon Kit 4Pcs	
15	146 1899 000	2	Hjul Sr 1000 Sb	
16	1463184000	1	Forhjul Sr 1000	
17	146 0945 000	2	Hjul Side Støddæmper	
18	145 4536 000	2	CIRCLIP M6	
19	145 1975 000	1	Kabel, Sr 5110	
20	145 1935 000	1	Filter Shaker Spring	
21	1466518000	1	BRAKE FRONT WHEEL SIP	
22	146 2122 000	1	PEDAL BRAKE KIT	[1]
23	145 2713 000	1	Kæde 3/8	[2]
24	145 9604 000	1	Link 3/8	[3]
25	145 0222 000	1	Kæde 3/8	
26	146 2166 000	1	Reduction Gearmotor Cpl Con/Sheath	
27	1464152000	2	Reduction Gearmotor 60W 24V	
28	145 0274 000	2	Fjeder	
29	146 1895 000	2	Kabel,Side Børste	[2]
30	146 0719 000	1	Relæ, Ba410	
31	146 1646 000	1	Relay 24V	
32	145 3712 000	1	Relæ, 24V	
33	1466161000	1	CONTROLLER MAIN MACHINE KIT	
34	146 0565 000	1	Push Switch F/Sw700S	
35	1467636000	1	BEARING TAPER ROLLER 32006 SIP	[4]
36	145 0225 000	1	BEARING BALL 6006 2RS1	
37	146 1928 000	1	GASKET	[1]
38	145 0221 000	1	Hjul, Z17 3/8 7/32	
39	146 0741 000	1	Pakning	
40	146 0630 000	1	Pakning	
41	146 1891 000	1	CABLE	[1]
42	1466314000	1	MOTOR FILTER SHAKER 12W 24V KIT	
43	909 5668 000	1	Switch Komplet	
44	146 2134 000	1	PEDAL SPEED CONTROL KIT W/MICRO SWITCH	[1]
45	146 1943 000	1	POTENTIOMETER	[5]
46	1466508000	1	MICROSWITCH 16A 250V SIP	
47	1466509000	1	CONTACT F MICROSWITCH SIP	
48	1467014000	1	KEY F STARTER SWITCH 2 PCS SET	
49	1466174000	1	CONTROLLER DRIVE WHEEL PKD	
50	1466506000	1	MICROSWITCH 10A 250V PKD	
51	909 5706 000	2	Sikring 30A	

Part Notes:

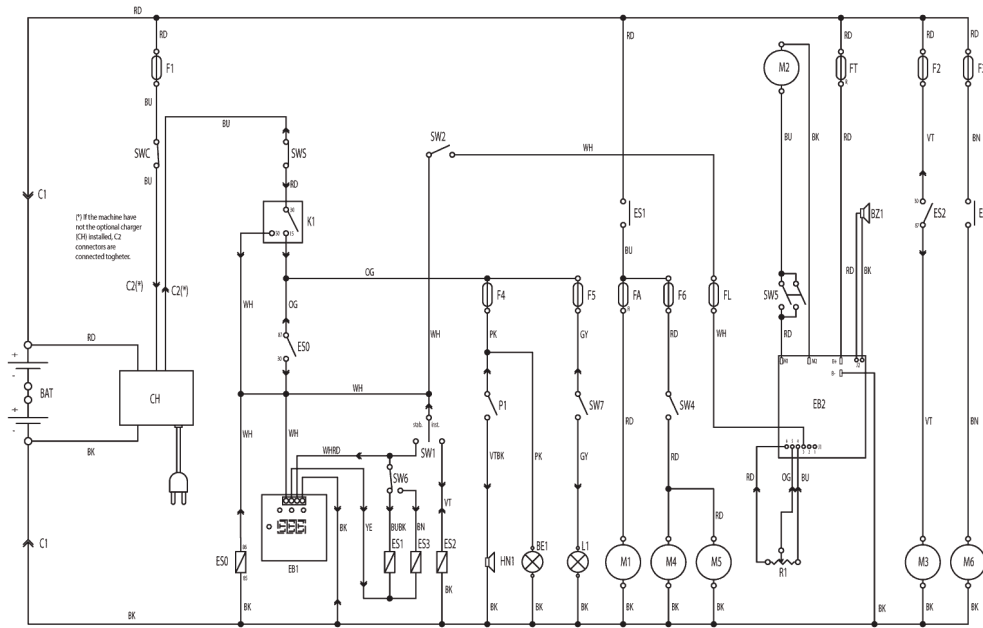
- [1] - GUARANTEE DATE EXPIRED
 [2] - STOCK COVERS GUARANTEE
 [3] - GUARANTEE DATE EXPIRED
 TILL S/N 06221124
 [4] - TILL S/N 06221124
 [5] - GUARANTEE DATE EXPIRED
 TILL S/N 051807363

Pos Item Bild Rép	Codice Ref. No. Art. Nr. Réf. No	Q.tà Qty Menge Qté	Descrizione	Description
			OPZIONI	OPTIONS
52	146 1988 000	1	FILTRO IN POLIESTERE	POLYESTER FILTER -
53	146 1989 000	1	FILTRO IN POLIESTERE ANTISTATICO	POLYESTER FILTER - ANTISTATIC
54	146 0749 000	1	SPAZZOLA CENTRALE OPT (Ø 265MM SAGGINA)	MAIN BROOM OPT (Ø 265MM - NATURAL FIBER)
55	146 0750 000	1	SPAZZOLA CENTR. OPT (Ø 265MM - MISTO ACCIAIO)	MAIN BROOM OPT (Ø 265MM - STEEL MIX)
56	146 0751 000	1	SPAZZOLA CENTR. OPT (Ø 245 PPL - Ø SETOLE = 0,7MM)	MAIN BROOM OPT (Ø245 - PPL (Ø OF BRISTLES = 0.7MM))
57	146 0753 000	1	SPAZZOLA CENTRALE OPT (Ø 245MM SAGGINA)	MAIN BROOM OPT (Ø245MM - NATURAL FIBER)
58	146 0752 000	1	SPAZZOLA CENTRALE OPT (Ø 245MM - NYLON)	MAIN BROOM OPT (Ø245MM - NYLON)
59	145 4959 000	2	SPAZZOLA LATERALE OPT (Ø 420 - MISTO ACCIAIO)	SIDE BROOM OPT (Ø420MM - STEEL MIX)
60	145 4976 000	2	SPAZZOLA LATERALE OPT (Ø 420 - SAGGINA)	SIDE BROOM OPT (Ø420MM - NATURAL FIBER)
61	146 0678 000	2	SPAZZOLA LAT. OPT (Ø 347 NYLON - Ø SETOLE = 0,8MM)	SIDE BROOM OPT (Ø347 NYLON - BRISTLE Ø = 0.8MM)
62	146 2051 000	1	KIT LUCE PIVOETTANTE	FLASHING BEACON KIT
63	146 2050 000	1	KIT FARO DI LAVORO	WORKING LIGHT KIT
64	146 2048 000	1	KIT ASPIRAZIONE REMOTA	VACUUM CLEANER KIT
65	146 2063 000	1	KIT ALLARME RETROMARCIA	BACKUP ALARM KIT
66	146 2052 000	1	KIT CARICA BATTERIA	BATTERY CHARGER KIT
67	146 2102 000	1	KIT MOQUETTE (PRE-FILTRO, SPAZZ. CENTR. SAGGINA, FLAP POST. LAT. ANTITRACCIA, SPAZZ. LAT. SAGGINA)	KIT CARPET (PREFILTER GRID, MAIN BROOM NAT. FIBER, REAR/SIDE NON MARKING SKIRT, SIDE BROOMS NAT. FIBER)
68#	146 0587 000	2	FLAP LAT. ANTITRACCIA	NON MARK. SIDE SKIRT
69#	146 0743 000	1	FLAP POST. ANTITRACCIA	NON MARK. REAR SKIRT
70#	146 0742 000	1	FLAP ANT. ANTITRACCIA	NON MARK. FRONT SKIRT
71#	146 1893 000	1	PREFILTRO	PRE-FILTRO

Pos.	Vare-nr	Antal	Beskrivelse	Notes
52	146 1988 000	1	Filter polyester	
53	146 1989 000	1	Filter polyester antistatisk	
54	146 0749 000	1	Fejevalse natur 600 mm Ø265	[1]
55	146 0750 000	1	Fejevalse stålmix	
56	146 0751 000	1	Fejevalse polypropylen	
57	146 0753 000	1	Fejevalse til tæpper/naturfiber	[1]
58	146 0752 000	1	Fejevalse nylon	
59	145 4959 000	2	Sidekost stålmix	
60	145 4976 000	2	Sidekost til tæpper/naturfiber	[1]
61	146 0678 000	2	Sidekost nylon 180 x 347	
62	146 2659 000	1	Advarselsblink kit	
63	146 2661 000	1	Bakalarm	
64	146 2303 000	1	HARDWARE.VAC.CLEANER KIT SR 1000S	
65	146 2661 000	1	Bakalarm	
66	146 2052 000	1	Indbygget oplader 24V 25A	
67	146 2102 000	1	Tæppe kit	
68	146 0587 000	2	Sværtefrit skørt, side	
69	146 0743 000	1	Sværtefrit skørt, bag	
71	146 1893 000	1	PRE-FILTER	

Part Notes:

[1] - PI 2015-001 TTY



WIRING DIAGRAM
SR1000S B
146 2006 000 Rev.C

COMPONENTS	
BAT	24V BATTERY
BET	BEACON (OPT)
BZ1	REW BUZZER
C1	BATTERY CONNECTOR
CH	BATTERY CHARGER (OPT)
EB1	HOUR METER & BATT. DISPLAY
EB2	DRIVE ELECTRONIC BOARD
ES0	START RELAIS
ES1	MAIN BRUSH ELECTROM. SWITCH
ES2	SHAKER RELAIS
ES3	VACUUM ELECTROM. SWITCH (OPT)
FA	MAIN BRUSH CIRCUIT BREAKER
FL	DRIVE BOARD FUSE (3A)
FT	DRIVE CIRCUIT BREAKER
F1	SERVICES (MAIN) FUSE (25A)
F2	SHEAKER FUSE (25A)
F3	VACUUM FUSE (40A) (OPT)
F4	HORN AND BEACON FUSE (10A) (OPT)
F5	WORKING LIGHT FUSE (10A) (OPT)
F6	SIDE BRUSHES FUSE (10A)
HNI	HORN
K1	KEY
L1	WORKING LIGHT (OPT)
M1	MAIN BRUSH MOTOR
M2	DRIVE MOTOR
M3	SHEAKER MOTOR
M4	RIGHT BRUSH MOTOR
M5	LEFT BRUSH MOTOR (OPT)
M6	VACUUM MOTOR (OPT)
P1	HORN BUTTON
R1	DRIVE SPEED POTENTIOMETER
SWC	HOOD SAFETY MICROSWITCH
SW5	SAFETY SWITCH
SW1	BRUSHES AND SHEAKER SWITCH
SW2	SEAT SAFETY SWITCH
SW4	SIDE BRUSHES MICROSWITCH
SW5	DRIVE SWITCH
SW6	VACUUM SWITCH (OPT)
SW7	WORKING LIGHT SWITCH (OPT)

Pos.	Vare-nr	Antal	Beskrivelse	Notes
BE1	146 2659 000		Advarselsblink kit	
BZ1	146 2661 000		Bakalarm	
C1	146 1986 000		Ladestik Rød 120A	
CH1	146 2131 000		Charger Battery 230V Cpl.	
CH1	1466315000		CHARGER BATT. ON BOARD 24V 13A 230V SIP	
EB1	1466161000		CONTROLLER MAIN MACHINE KIT	
EB2	1466174000		CONTROLLER DRIVE WHEEL PKD	
ES0	146 1646 000		Relay 24V	
ES1	146 0719 000		Relæ, Ba410	
ES2	145 3712 000		Relæ, 24V	
FA	909 5706 000		Sikring 30A	
FT	909 5706 000		Sikring 30A	
F1	145 8514 000		Sikring 25A	
F2	145 8514 000		Sikring 25A	
F3	145 0227 000		Sikring 40 A, Autosikring	
F4	1467034000		FUSE BLADE 10A SIP	
F5	1467034000		FUSE BLADE 10A SIP	
F6	1467034000		FUSE BLADE 10A SIP	
HN1	1467032000		HORN 24V SIP	
K1	33020442		Nøgleafbryder M. Nøgle	
L1	146 2663 000		Køreløys	
M1	1467528000		MOTOR ELECTRIC 600W 24V SIP	
M2	146 2166 000		Reduction Gearmotor Cpl Con/Sheath	
M3	1466314000		MOTOR FILTER SHAKER 12W 24V KIT	
M4	1464152000		Reduction Gearmotor 60W 24V	
M5	1464152000		Reduction Gearmotor 60W 24V	
P1	145 9678 000		SWITCH HORN	
R1	146 2952 000		Gaspedal, Kontrol Kit Br 651-751 Sr 1000	
SWC	146 0565 000		Push Switch F/Sw700S	
SWS	1466683000		SWITCH EMERGENCY KIT	
SW1	146 1935 000		Switch	
SW4	1466506000		MICROSWITCH 10A 250V PKD	
SW7	146 1974 000		Kontakt	

