

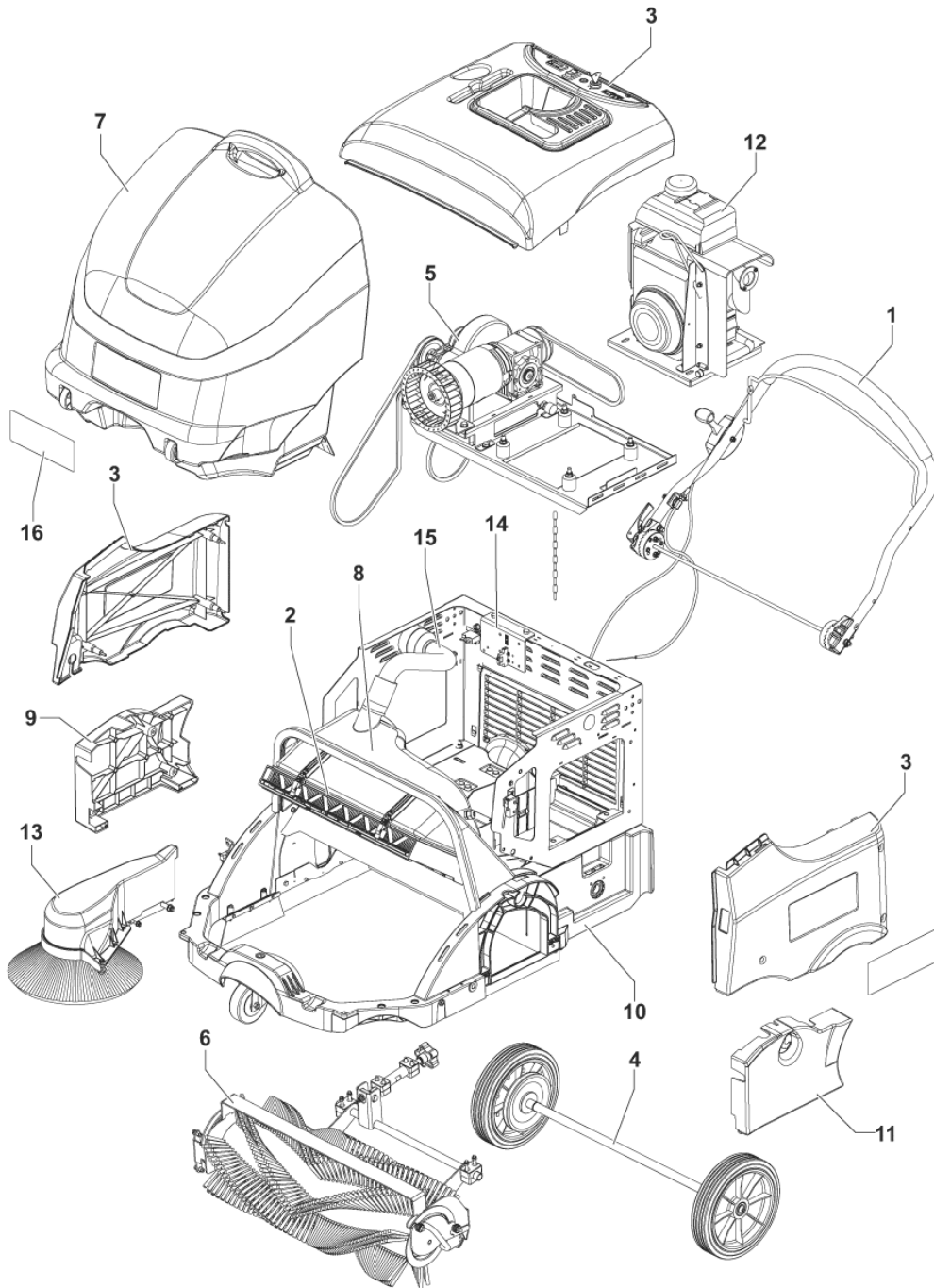
PARTS LIST



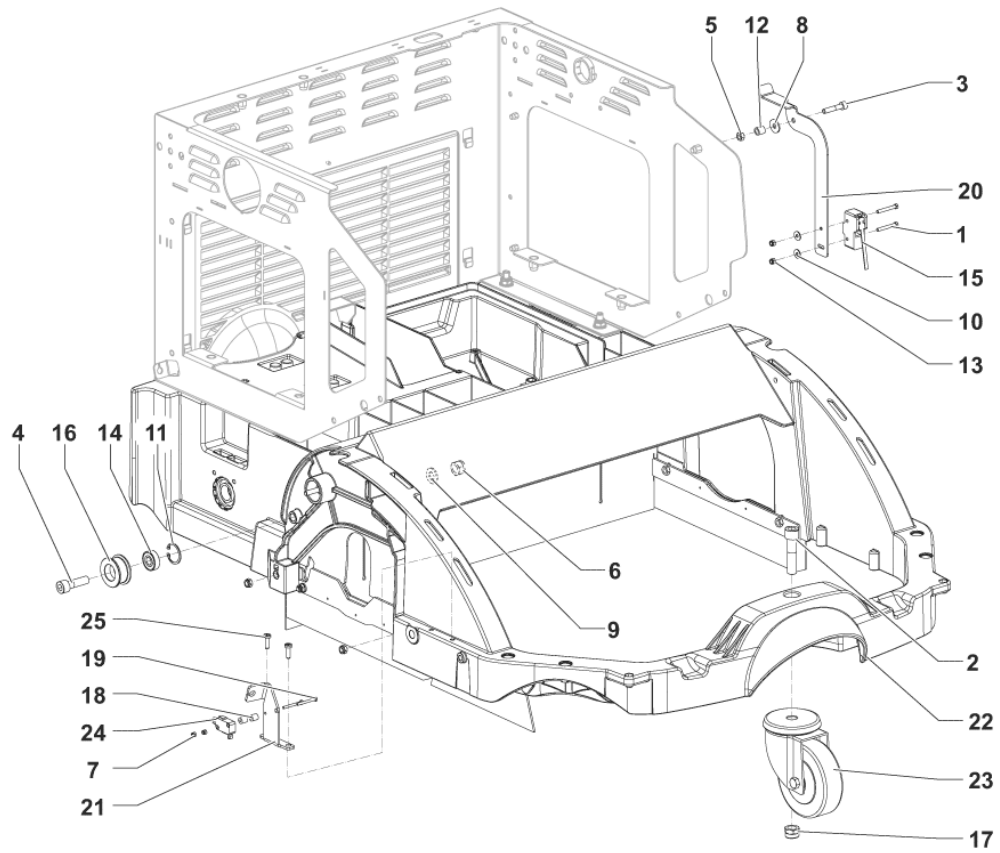
2017.08.01

TABLE OF CONTENTS

GENERAL VIEW	1
CHASSIS SYSTEM.....	3
FRAME SYSTEM.....	5
SKIRT SYSTEM.....	7
COVERS SYSTEM.....	9
CONTROL PANEL SYSTEM.....	11
HANDLE SYSTEM.....	13
TRASSMISSION SYSTEM.....	15
ENGINE SYSTEM.....	18
ELECTRICAL SYSTEM.....	20
WHEELS SYSTEM.....	22
MAIN BROOM SYSTEM.....	24
WIRING DIAGRAM.....	26
RIGHT BROOM.....	28
LEFT BROOM (OPTIONAL).....	30
FILTER SYSTEM.....	32
FILTER SHAKER MANUAL.....	34
HOPPER SYSTEM.....	36
Recommended spare parts.....	38
ACCESSORIES.....	40
Option.....	42



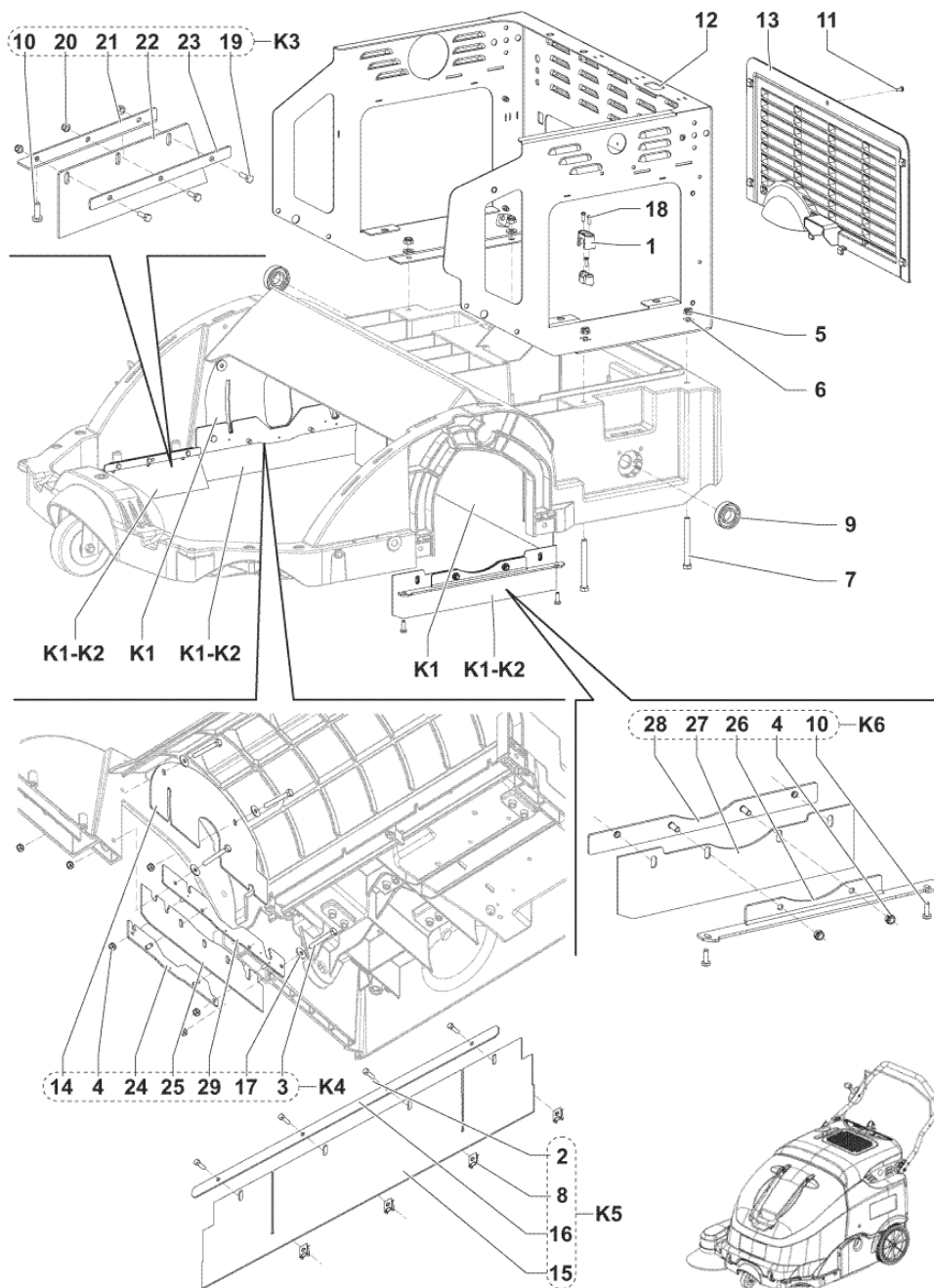
Pos.	Vare-nr	Antal	Beskrivelse	Notes
1		1	HANDLE BAR ASSEMBLY	
2		1	FILTER ASSEMBLY	
3		1	COVERS PROTECTION ASSEMBLY	
4		1	WHEELS TRACTION ASSEMBLY	
5		1	TRANSMISSION ASSEMBLY	
6		1	CENTRAL BROOM ASSEMBLY	
7		1	HOPPER ASSEMBLY	
8		1	SHAKER ELECTRIC FILTER ASSEMBLY	
9		1	HATCH RIGHT ASSEMBLY	
10		1	CHASSIS ASSEMBLY	
11		1	HATCH LEFT ASSEMBLY	
12		1	ENGINE ASSEMBLY	
13		1	BROOM RIGHT SIDE ASSEMBLY	
14		1	WIRING SYSTEM ASSEMBLY	
15		1	WET BY-PASS ASSEMBLY	
16	1466747000	1	DECALS FLOORTEC 760 KIT	



Pos.	Vare-nr	Antal	Beskrivelse	Notes
1		2	K1	
2		1	K1	
3		1	K1	
4		1	K1	
5		1	K1	
6		1	K1	
7		2	K1	
8		1	K1	
9		1	K1	
10		2	K1	
11		1	K1	
12		1	K1	
13		2	K1	
14		1	K1	
15	1466506000	1	MICROSWITCH 10A 250V PKD	
16		1	K1	
17		1	K1	
18		2	K1	
19		2	K1	
20	1464998000	1	BRACKET FOR CONTAINER-COVER SWITCH	
21	1465013000	1	SUPPORT RIGHT SIDE BROOM SWITCH	
22	1465015000	1	CHASSIS	
23	909 6602 000	1	WHEEL CASTOR	
24	9100000792	1	MICROSWITCH 16A 250V PKD	
25		2	K1	
K1	1465461000	1	HARDWARE CHASSIS KIT	[1]

Part Notes:

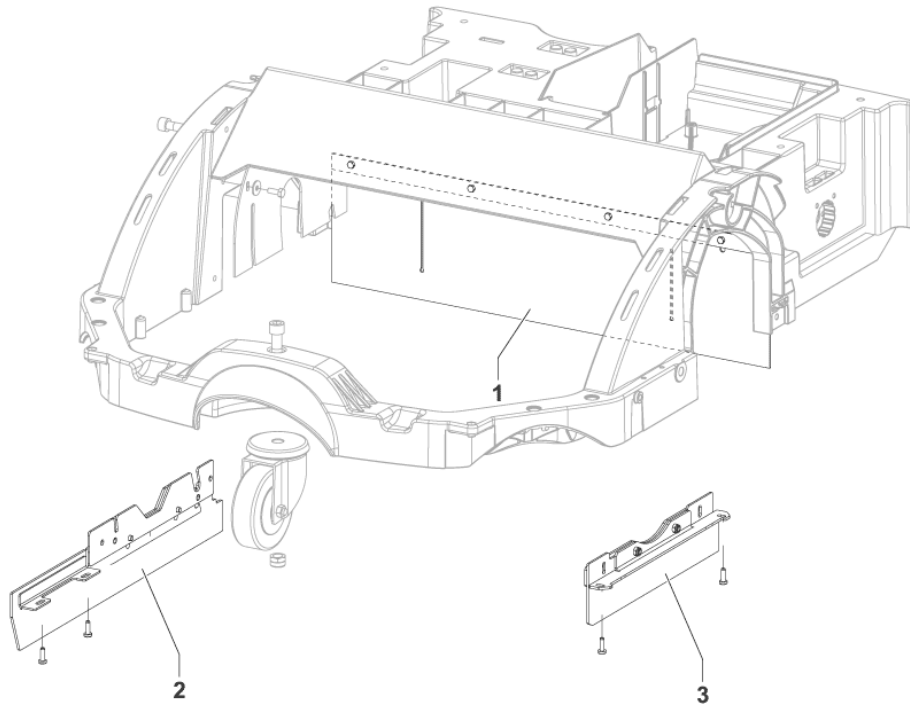
[1] - NOT SHOWN



Pos.	Vare-nr	Antal	Beskrivelse	Notes
1		1	K7	
2		4	K5-K7	
3		3	K4-K7	
4		6	K4-K7	
5		4	K7	
6		4	K7	
7		4	K7	
8		4	K5-K7	
9		2	K7	
10		4	K3-K6	
11		1	K7	
12	1464654000	1	CHASSIS REAR	
13	1464655000	1	GRID REAR VENTING	
14		1	K1-K4	
15		1	K1-K5	
16		1	K5-K7	
17		2	K4-K7	
18		3	K7	
19		3	K3-K7	
20		3	K3	
21		1	K3	
22		1	K1-K3	
23		1	K3	
24		1	K4	
25		1	K1-K4	
26		1	K6	
27		1	K1-K6	
28		1	K6	
29		1	K4	
K1	1465463000	1	SKIRTS KIT	[1]
K2*	1465541000	1	Sværtefrit sideskørt kit	[2]
K3	1465595000	1	SKIRTS RECYCLING KIT	[1]
K4	1465596000	1	SKIRT RIGHT SIDE KIT	[1]
K5	1465597000	1	SKIRT REAR KIT	[1]
K6	1465598000	1	SKIRT LEFT SIDE KIT	[1]
K7	1465462000	1	HARDWARE REAR CHASSIS KIT	[3]

Part Notes:

- [1] - UNTIL MACHINE S.No 3810152500015
- [2] - OPTION
- [3] - NOT SHOWN

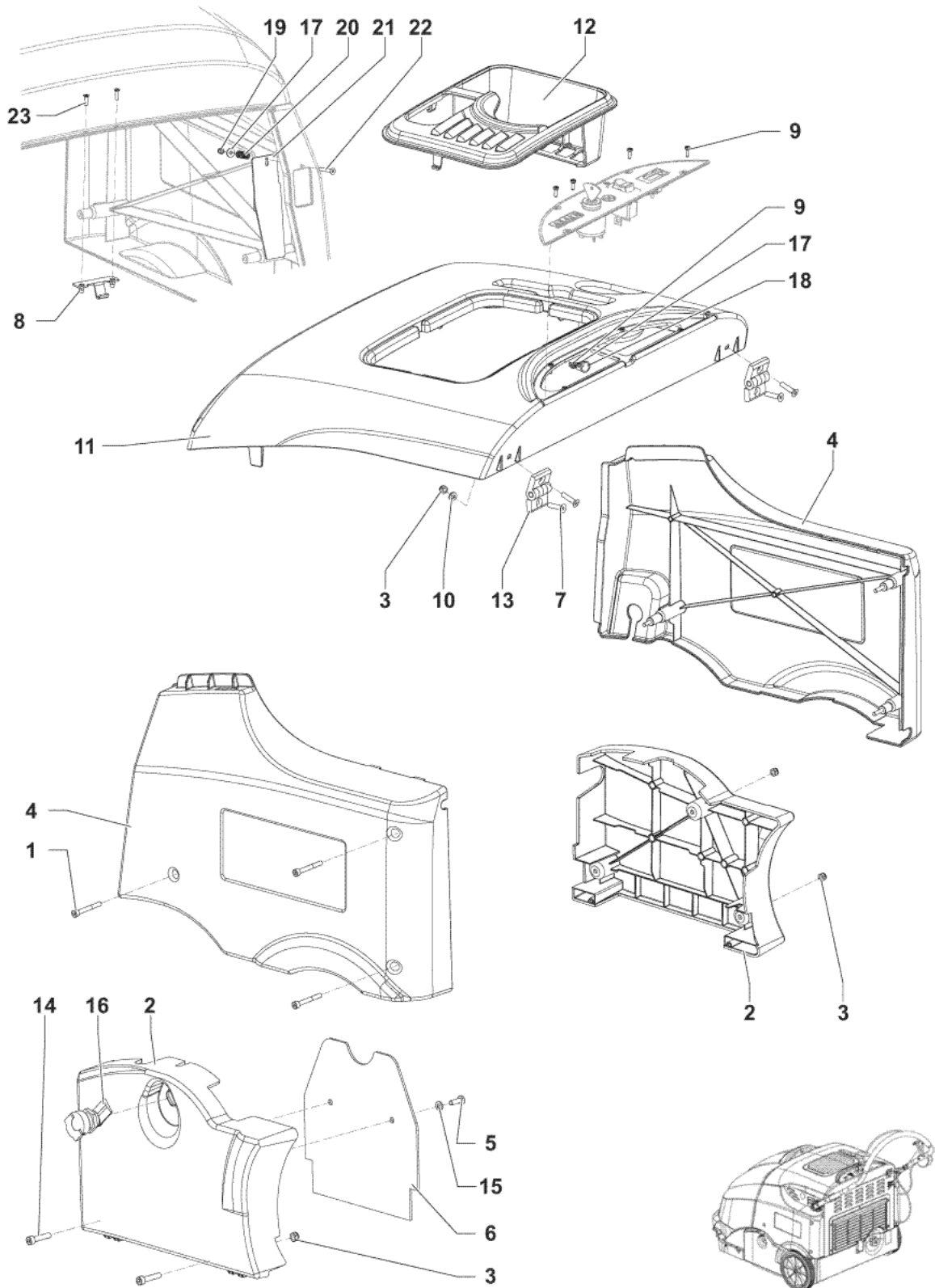


Pos.	Vare-nr	Antal	Beskrivelse	Notes
1	1465597000		SKIRT REAR KIT	[1]
1	1466491000	1	SKIRT CENTRAL REAR KIT	[2]
2	1465596000	1	SKIRT RIGHT SIDE KIT	[1]
2	1465595000	1	SKIRTS RECYCLING KIT	[1]
2	1466488000	1	SKIRT RECYCLING RT SIDE KIT	[3]
3	1465598000	1	SKIRT LEFT SIDE KIT	[1]
3	1466490000	1	SKIRT LT SIDE KIT	[4]
3	1466489000	1	SKIRT RECYCLING LT SIDE KIT	[5]
4	1465463000	1	SKIRTS KIT	[6]

Part Notes:

- [1] - TILLMACHINE S.No 3810152500015 - SEE TSB-FC-2015-014
- [2] - STARTING MACHINE S.No 3810152500016 - SEE TSB-FC-2015-014
- [3] - STARTING MACHINE S.No 3810152500016 - SEE TSB-FC-2015-014- INST. INSTR. 1466484000
- [4] - STARTING MACHINE S.No 3810152500016 - SEE TSB-FC-2015-014
FOR ONE SIDE BROOM ONLY
- [5] - STARTING MACHINE S.No 3810152500016 - SEETSB-FC-2015-014- INST. INSTR. 1466485000
FOR TWO SIDE BROOMS ONLY
- [6] - TILLMACHINE S.No 3810152500015 - SEE TSB-FC-2015-014

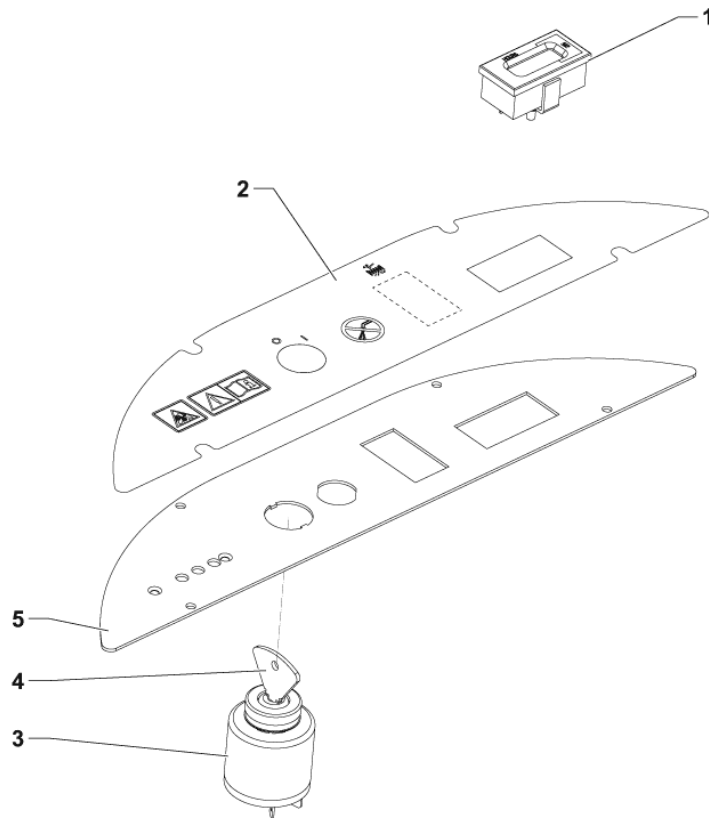
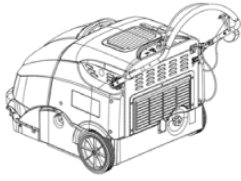
NOT SHOWN (INCLUDED POS. 1, 2, 3)



Pos.	Vare-nr	Antal	Beskrivelse	Notes
1		6	K1	
2	1465545000	1	COVER UPPER BLACK KIT	
3		5	K1	
4	1465544000	1	COVERS SIDE BLACK KIT	
5		2	K1	
6	1465104000	1	SKIRT PROTECTION	
7		4	K1	
8	1465482000	1	HOOK FOR BONNET CLOSING	
9		4	K1	
10		2	K1	
11	1466001000	1	COVER UPPER BLACK PKD	
12	1465138000	1	COVER UPPER FOR PETROL	
13		2	K1	
14		2	K1	
15		2	K1	
16	1464896000	1	LATCH WITH FOLD AWAY	
17		2	K1	
18		1	K1	
19		1	K1	
20		1	K1	
21	1465527000	1	PROTECTION POLY FOR MICROSWITCH	
22		1	K1	
23		2	K1	
[K1]	1465464000	1	HARDWARE COVERS KIT	[1]
[K2]	1465920000	1	FIXING COVER KIT	

Part Notes:

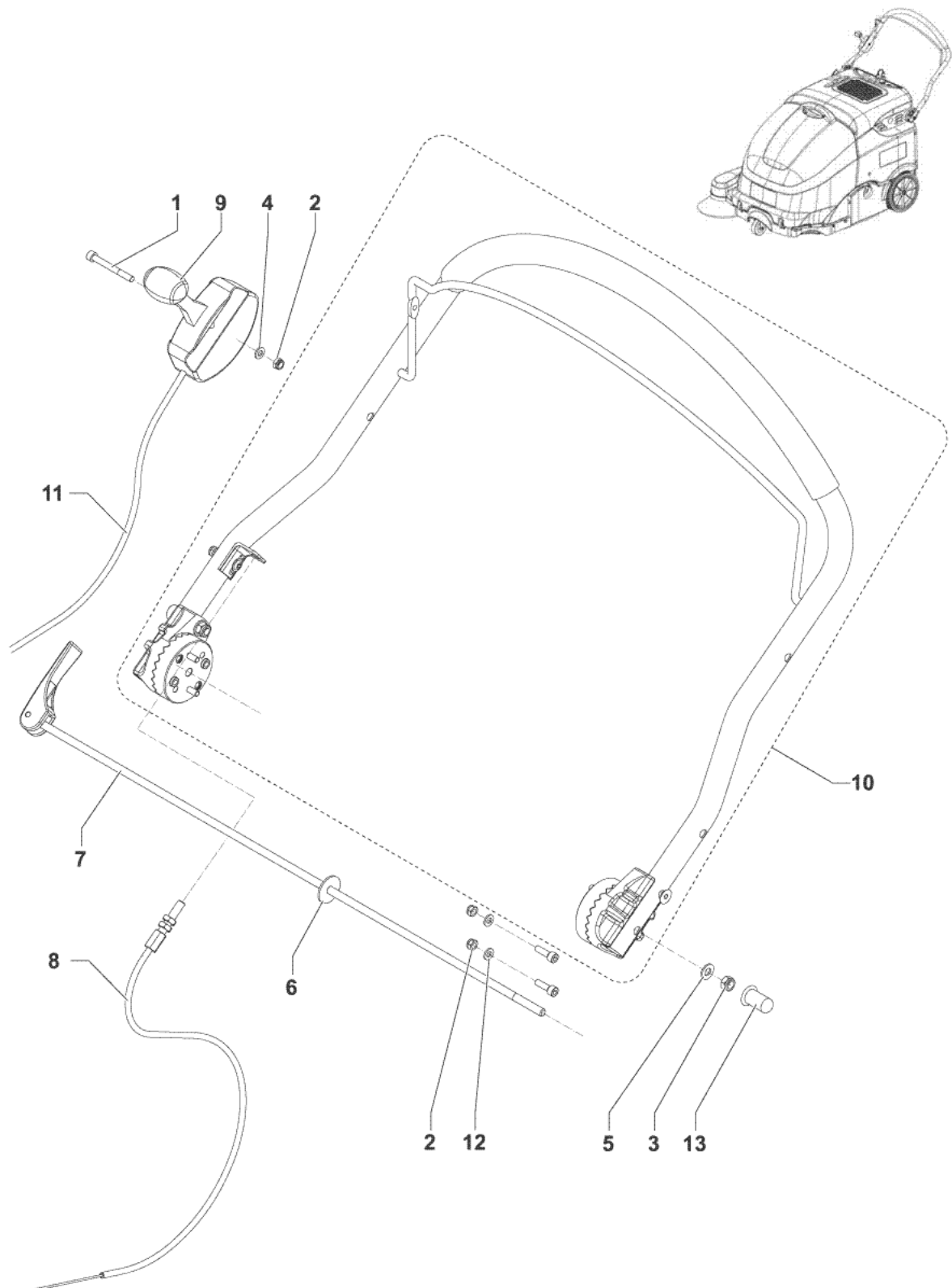
[1] - NOT SHOWN



Pos.	Vare-nr	Antal	Beskrivelse	Notes
1*	9096951000	1	Timetæller kit, 24 V	[1]
2	1465005000	1	DECAL CONTROL PANEL	
3	33020442	1	Nøgleafbryder M. Nøgle	
4	1467014000	1	KEY F STARTER SWITCH 2 PCS SET	
5	1464765000	1	PANEL CONTROL	

Part Notes:

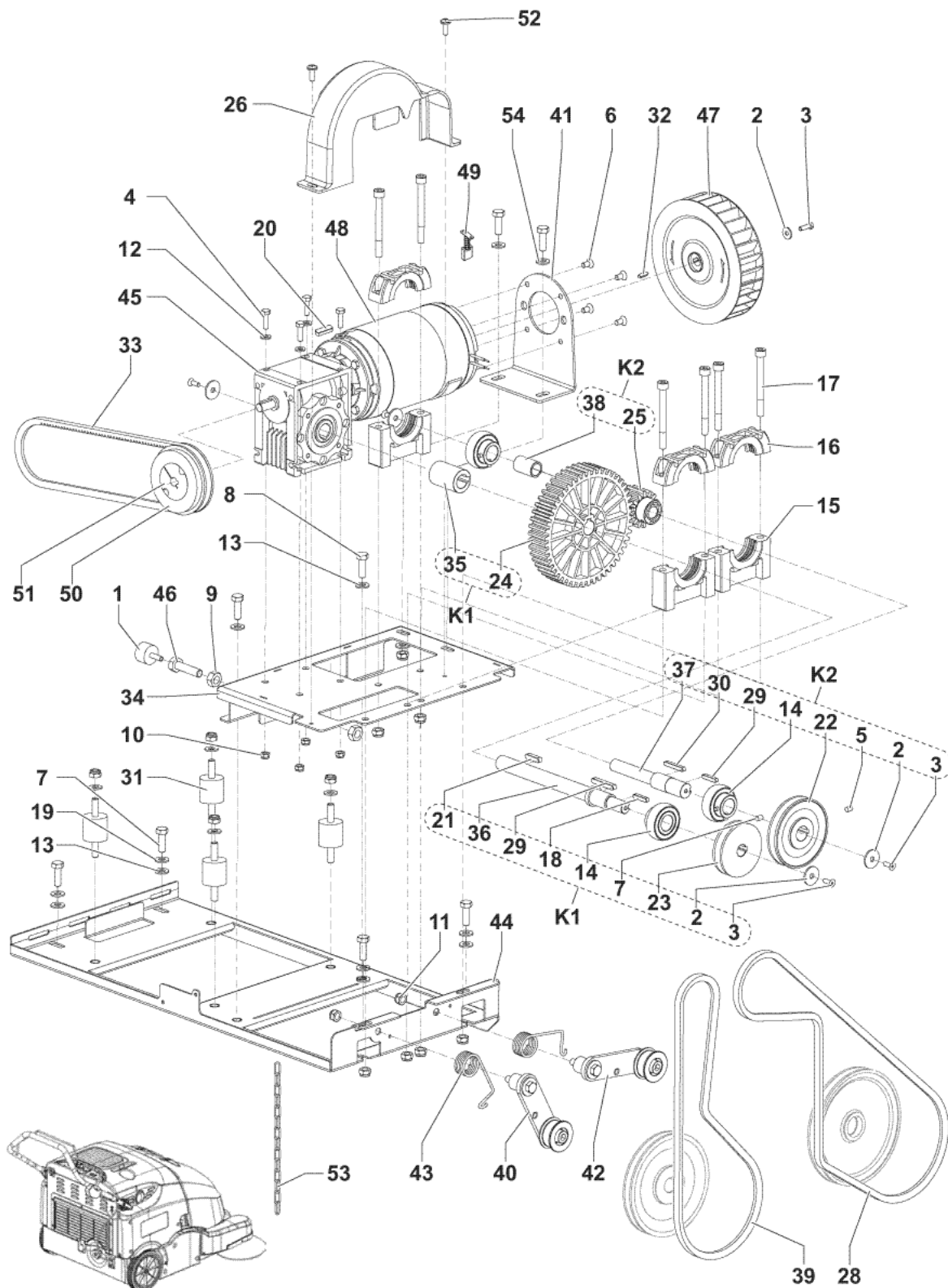
[1] - OPTION



Pos.	Vare-nr	Antal	Beskrivelse	Notes
1		1	K1	
2		6	K1	
3		1	K1	
4		1	K1	
5		1	K1	
6		1	K1	
7	1464673000	1	LEVER HANDLE RELEASE	
8	1464908000	1	CABLE TRACTION	
9	1465017000	1	LEVER RIGHT SIDE BROOM CONTROL	
10	1465160000	1	HANDLE BAR ROUND	
11	1465532000	1	CABLE FOR SIDE BROOM LEVER	
12		4	K1	
13		1	K1	
[K1]	1465466000	1	HARDWARE HANDLE KIT	[1]

Part Notes:

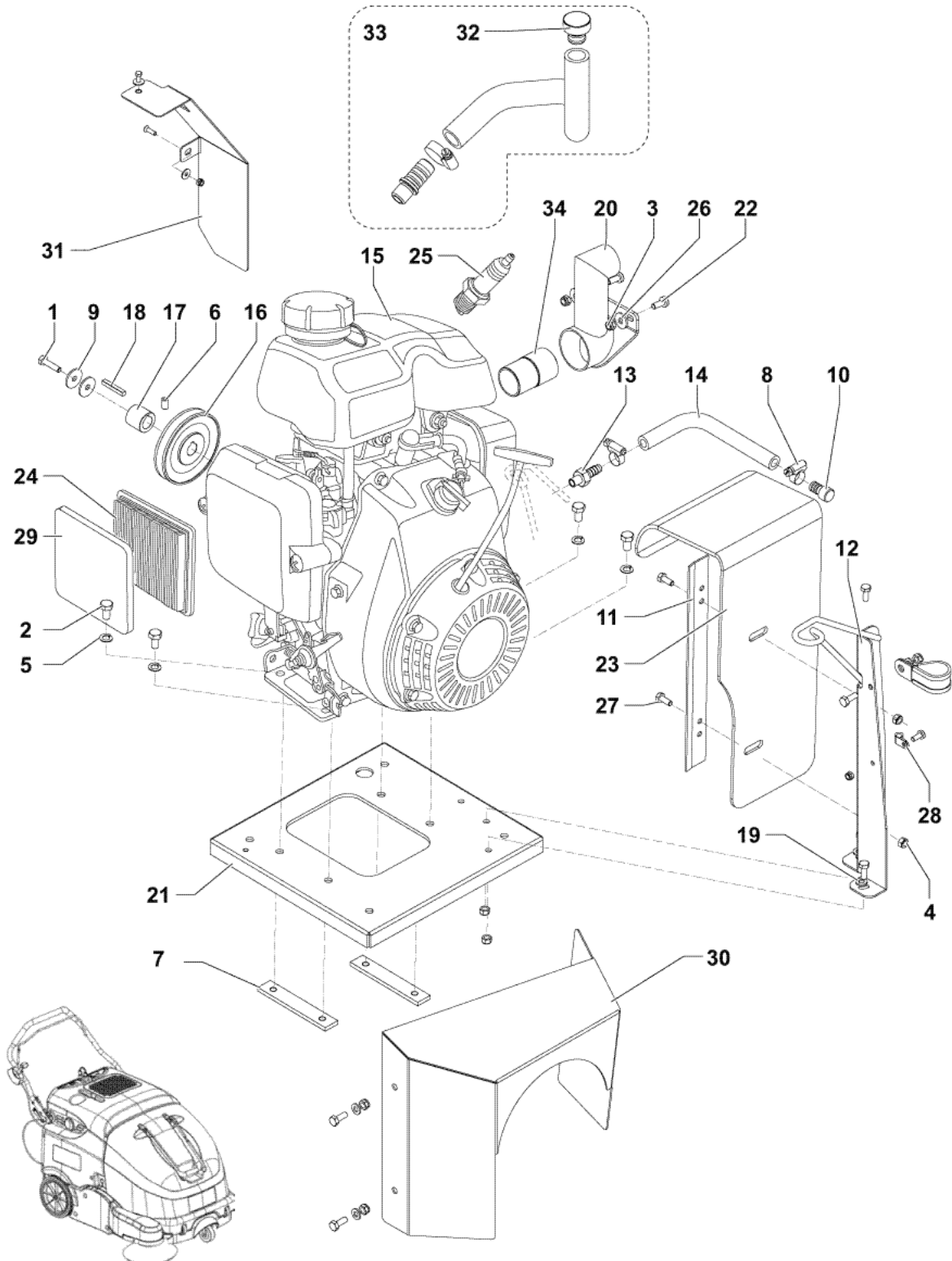
[1] - NOT SHOWN



Pos.	Vare-nr	Antal	Beskrivelse	Notes
1	33003131	1	Vibration -Damping	
2		5	K1-K2-K3	
3		5	K1-K2-K3	
4		4	K3	
5		1	K2	
6		4	K3	
7		2	K1	
8		8	K2	
9		2	K3	
10		4	K3	
11		12	K3	
12		6	K3	
13		10	K1-K2	
14	145 1123 000	3	Kullager, Aw 400-Serien	
15	145 1976 000	3	Lejepande Aw	
16	145 1977 000	3	Support	
17		6	K3	
18		1	K1	
19		6	K3	
20		1	K3	
21		1	K1	
22		1	K2	
23		1	1K	
24	1466521000	1	GEAR SPUR PLASTIC 150P 50T PKD	
25	1466522000	1	GEAR SPUR PLASTIC 42P 14T PKD	
26	146 0605 000	1	COVER	
28	1467643000	1	BELT V COGGED XPZ 1162 SIP	
29		1	K1	
30		1	K2	
31	146 1318 000	4	VIBRATION-DAMPING M8 45SH	
32		1	K2	
33	1464045000	1	Rem-Sæt	
34	1464681000	1	SUPPORT GEAR BOX	
35		1	K1	
36		1	K1	
37		1	K2	
38		1	K2	
39	1467644000	1	BELT V COGGED XPZ 912 SIP	
40	1465601000	1	TENSIONER BELT WHEELS KIT	
41	1464703000	1	SUPPORT BEARING	
42	1465602000	1	TENSIONER BELT BROOM KIT	
43	1464719000	2	SPRING TORSION 2.8X24	
44	1464722000	1	PLATE TRANSMISSION SUPPORT	
45	1464725000	1	REDUCTION GEAR COMPLETE	
46		1	K3	
47	1464747000	1	FAN D.160 X40	
48	1464756000	1	DINAMOTOR MP80 12V 200 WDINAMOTOR MP80 12V 198 W	
49	1464433000	1	Brush Carbon Kit 4PcsBRUSH CARBON KIT 4PCS	
50	1465298000	1	PULLEY POGGILOCK SPZ D.85	
51	1465299000	1	BUSHING POGGILOCK 1210 D.11	
52		2	K3	
53	1465607000	1	CHAIN GROUND KIT	
54		4	K3	
K1	1466784000	1	SHAFT TRACTION KIT	
K2	1466785000	1	SHAFT BROOM KIT	
K3	1465467000	1	HARDWARE TRASMISSION KIT	[1]

Part Notes:

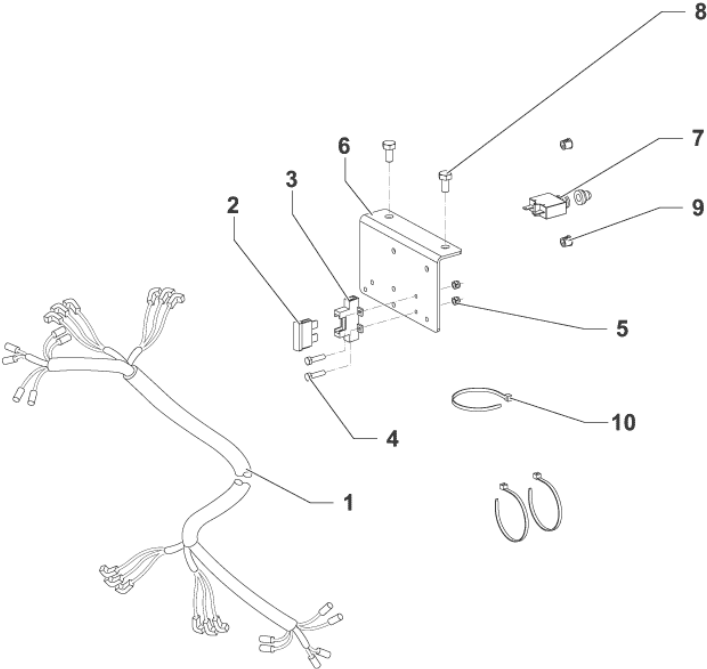
[1] - NOT SHOWN



Pos.	Vare-nr	Antal	Beskrivelse	Notes
1		1	K1	
2		4	K1	
3		3	K1	
4		4	K1	
5		4	K1	
6		1	K1	
7		2	K1	
8		2	K1	
9		2	K1	
10		1	K1	
11		1	K1	
12		1	K1	
13		1	K1	
14		1	K1	
15	146 0827 000	1	ENGINE PETROL HONDA GX 100 3HP	
16		1	K1	
17		1	K1	
18	146 0830 000	1	KEY 5X5X36 UNI6604A	
19		2	K1	
20	1465304000	1	PIPE EXHAUST	
21	1465225000	1	PLATE ENGINE SUPPORT	
22		2	K1	
23	1465229000	1	PROTECTION EXHAUST	
24	146 0823 000	1	Filter.Air	
25	146 0822 000	1	Plug.Spark	
26		2	K1	
27		2	K1	
28		2	K1	
29	146 0824 000	1	Pre-Filter Air	
30	1465619000	1	CONVEYOR AIR	
31	1465620000	1	PANEL AIR	
32	1467058000	1	CAP OIL D.18 SIP	
33	1465643000	1	HOSE OIL FILLING KIT	
34	1465550000	1	EXTENSION FOR MUFFLER	
K1	1465468000	1	HARDWARE ENGINE KIT	[1]

Part Notes:

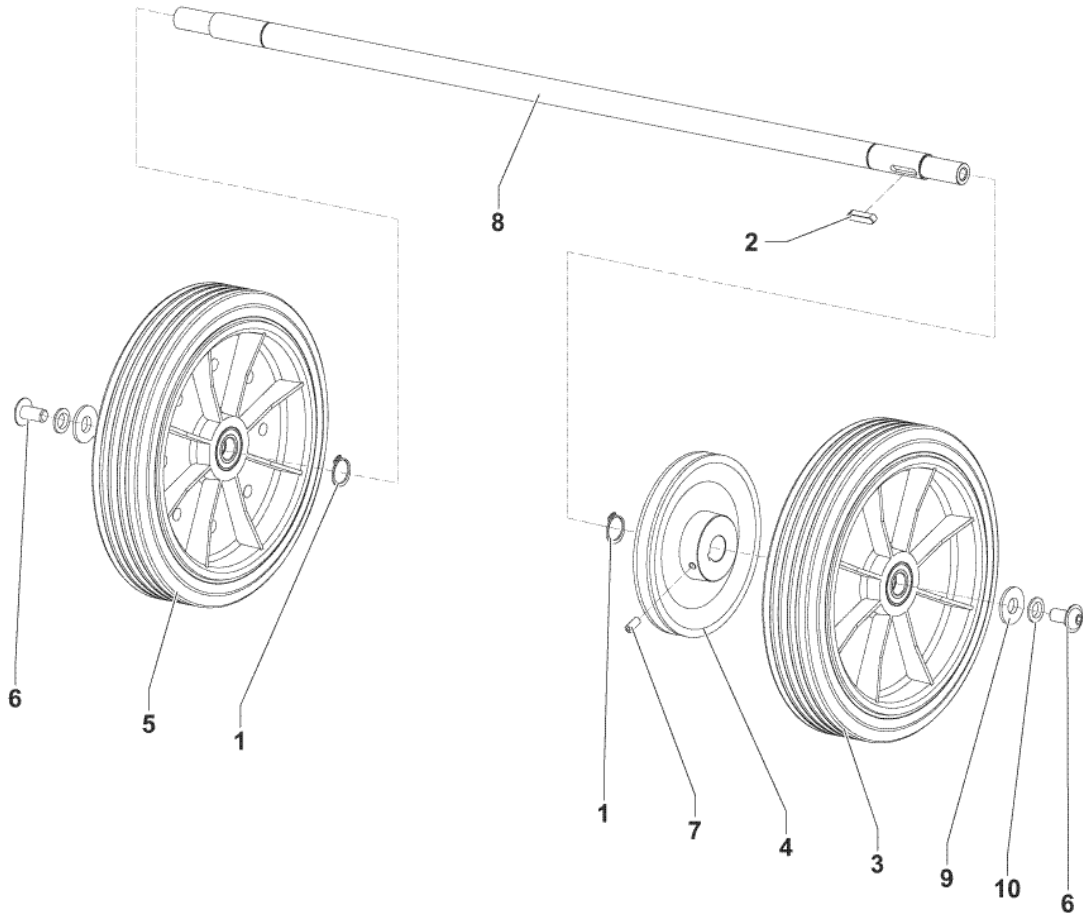
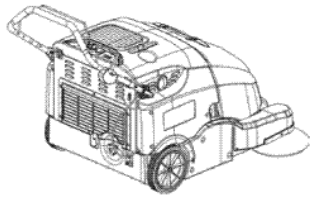
[1] - NOT SHOWN



Pos.	Vare-nr	Antal	Beskrivelse	Notes
1	1464755000	1	HARNES MACHINE P	
2	146 1776 000	1	FUSE BLADE 20A	
3	1467035000	1	HOLDER FUSE THERMOPL.UL 94-V0 SIP	
4		2	K1	
5		2	K1	
6	1464698000	1	SUPPORT RELAIS AND FUSES	
7	1465605000	1	CIRCUIT BREAKER 5A KIT	
8		2	K1	
9		2	K1	
10		3	K1	
[K1]	1465478000	1	HARDWARE ELECTRICAL SYSTEM KIT	[1]

Part Notes:

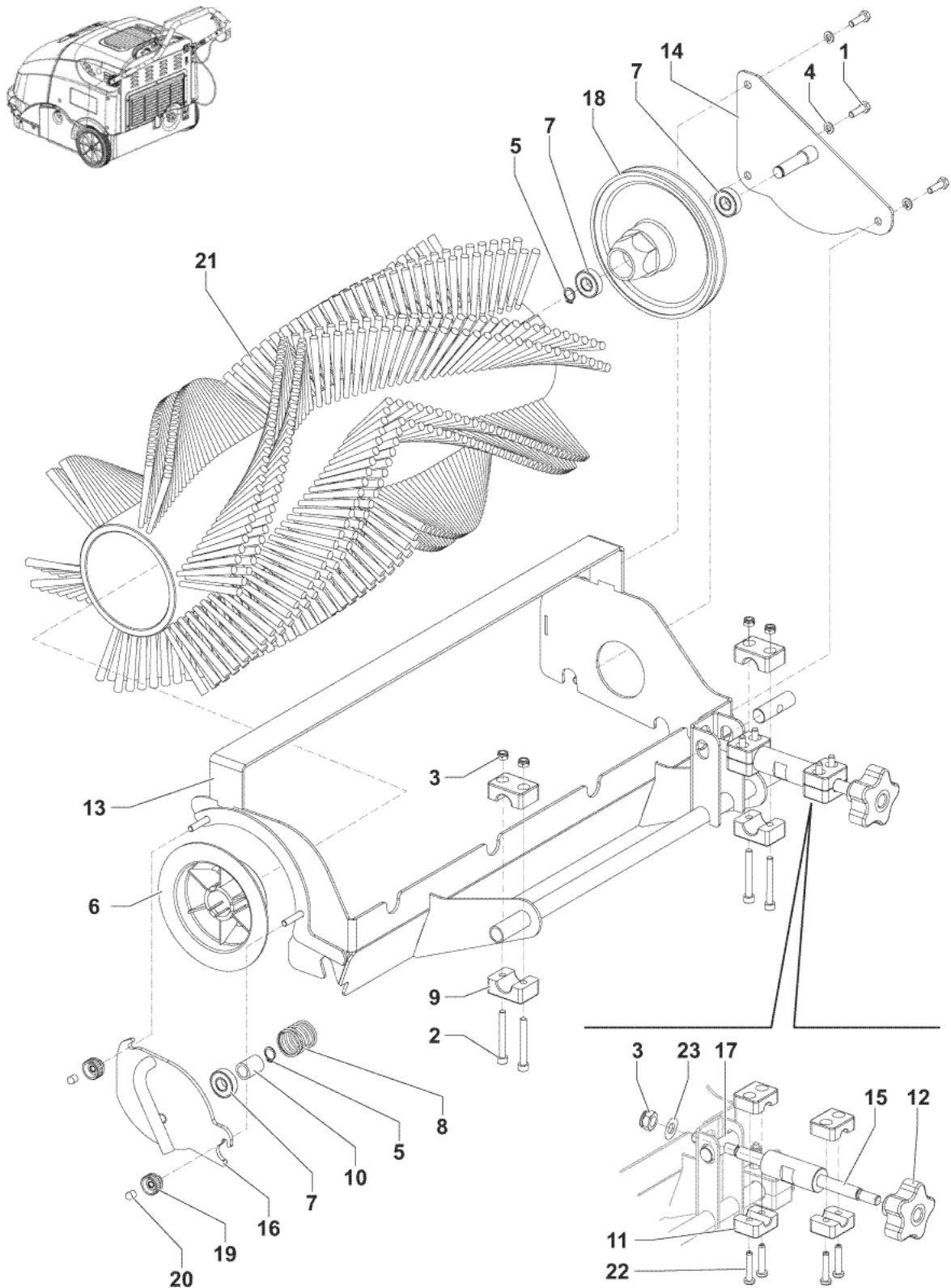
[1] - NOT SHOWN



Pos.	Vare-nr	Antal	Beskrivelse	Notes
1		2	K1	
2		1	K1	
3-5	1466077000	1	SHAFT TRACTION WHEELS KIT	[1]
4		1	K1	
6		2	K1	
7		1	K1	
8	1466077000	1	SHAFT TRACTION WHEELS KIT	
9		2	K1	
10		2	K1	
K1	1465469000	1	HARDWARE WHEELS KIT	[2]

Part Notes:

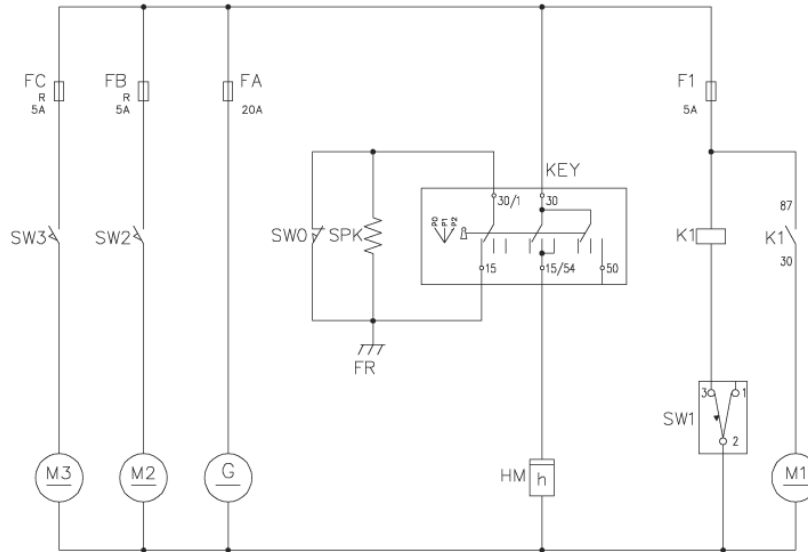
- [1] - TSB-FC-2014-039
- [2] - NOT SHOWN



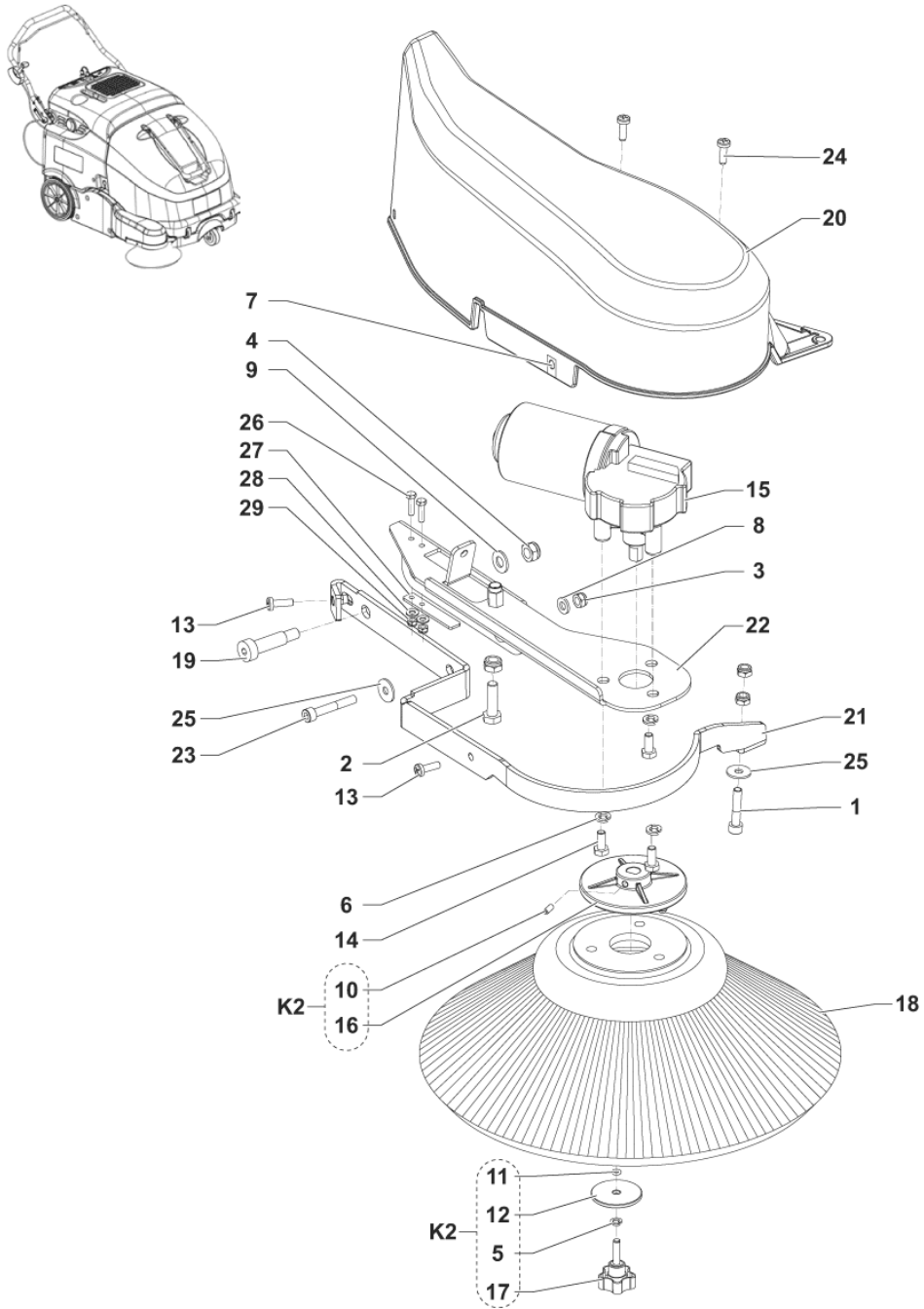
Pos.	Vare-nr	Antal	Beskrivelse	Notes
1		3	K1	
2		4	K1	
3		5	K1	
4		3	K1	
5		2	K1	
6	1467023000	1	HUB LEFT MAIN BROOM PKD	
7	44905699	3	BEARING BALL 6001 2RS PKD	
8		1	K1	
9		2	K1	
10		1	K1	
11		2	K1	
12	1464476000	1	KNOB LOBES M10 F. W/YELLOW CAP	
13	1465487000	1	SUPPORT MAIN BROOM	
14	1467589000	1	SUPPORT BROOM PULLEY SIP	
15	1464689000	1	SCREW BROOM ADJUSTMENT	
16	1467590000	1	SUPPORT IDLE HUB SIP	
17		1	K1	
18	1464746000	1	PULLEY MAIN BROOM	
19	1464885000	2	KNOB M6 D.20 PLASTIC	
20		2	K1	
21	1465215000	1	Fejevalse PPL (265 x 600) 0,8-0,5	
21	1466493000	1	BROOM MAIN 265X620 10R PPL 0.3-0.5 PKD	[1]
21*	1465216000	1	Fejevalse Mix 5 (265 x 600)	[2]
21*	146 0750 000	1	Fejevalse stålmix	[2]
22		4	K1	
23		1	K1	
K1	1465470000	1	HARDWARE MAIN BROOM KIT	[3]

Part Notes:

- [1] - STARTING MACHINE S.No 3810152500016 - SEE TSB-FC-2015-014
DE TSB-FC-2015-014 SW900 Floortec 760 neue Schürzen
- [2] - OPTION
- [3] - NOT SHOWN



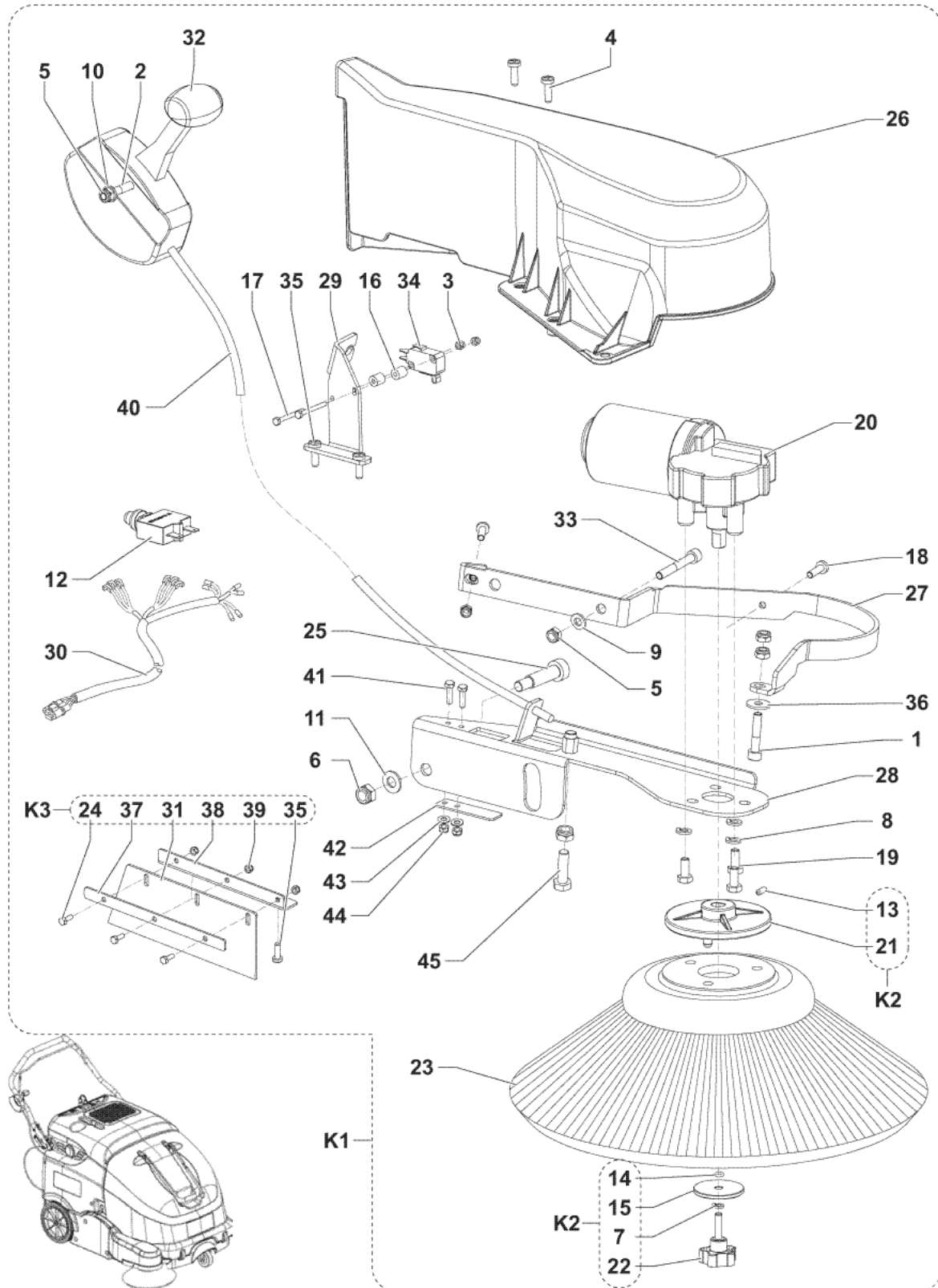
Pos.	Vare-nr	Antal	Beskrivelse	Notes
F1	145 9853 000		Sikring 15 A, Sw700S	
FA	146 1776 000		FUSE BLADE 20A	
FB	1465605000		CIRCUIT BREAKER 5A KIT	
FC	1465605000		CIRCUIT BREAKER 5A KIT	
FR				
G	1464756000		DINAMOTOR MP80 12V 200 W	
HM	9096951000		Timetæller kit, 24 V	
K1	9098441000		Relæ 12 Volt	
KEY	33020442		Nøgleafbryder M. Nøgle	
M1	146 0527 000		Motor Til Filtreryster Sw700-850	
M2	1465999000		REDUCTION GEARMOTOR 40W 12V PKD	
M3	1465999000		REDUCTION GEARMOTOR 40W 12V PKD	
SPK	146 0822 000		Plug.Spark	
SW0	1466506000		MICROSWITCH 10A 250V PKD	
SW1	1465465000		SWITCH KIT	
SW2	9100000792		MICROSWITCH 16A 250V PKD	
SW3	9100000792		MICROSWITCH 16A 250V PKD	



Pos.	Vare-nr	Antal	Beskrivelse	Notes
1		1	K1	
2		1	K1	
3		3	K1	
4		2	K1	
5		1	K2	
6		3	K1	
7		1	K1	
8		1	K1	
9		1	K1	
10		1	K2	
11		1	K2	
12		1	K2	
13		2	K1	
14		3	K1	
15	1465999000	1	REDUCTION GEARMOTOR 40W 12V PKD	
16		1	K2	
17		1	K2	
18	146 3035 000	1	Sidekost standard	
18*	146 3036 000	1	Sidekost nylon til tæpper	[1]
19		1	K1	
20	1464675000	1	COVER RIGHT SIDE BROOM	
21	1465497000	1	BUMPER RIGHT BROOM	
22	1465011000	1	SUPPORT RIGHT SIDE BROOM	
23		1	K1	
24		2	K1	
25		2	K1	
26		2	K3	
27		1	K3	
28		2	K3	
29		2	K3	
K1	1465471000	1	HARDWARE SIDE BROOM KIT	[2]
K2	1463865000	1	Monteringsplade	
K3	1467691000	1	PADDLE FOR DRIVE MICROSWITCH KIT	[2]

Part Notes:

- [1] - OPTION
 [2] - NOT SHOWN



LEFT BROOM (OPTIONAL)

FLOORTEC 760 P ALT

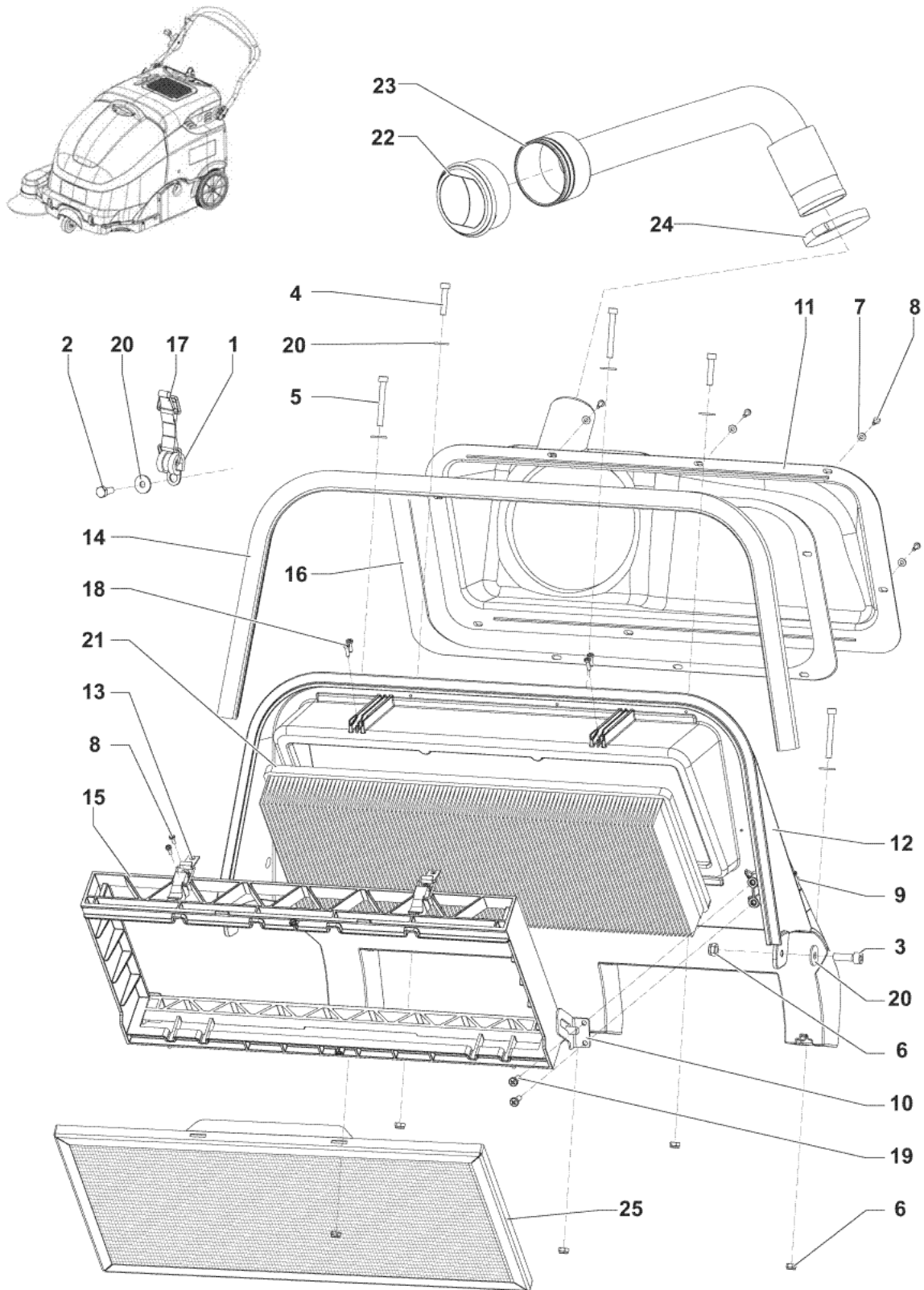
2015.05.19

2016.03.01

Pos.	Vare-nr	Antal	Beskrivelse	Notes
1		1	K4	
2		1	K4	
3		2	K4	
4		2	K4	
5		4	K4	
6		2	K4	
7		1	K2	
8		3	K4	
9		1	K4	
10		2	K4	
11		1	K4	
12	1465605000	1	CIRCUIT BREAKER 5A KIT	
13		1	K2	
14		1	K2	
15		1	K2	
16		2	K4	
17		2	K4	
18		2	K4	
19		3	K4	
20	1465999000	1	REDUCTION GEARMOTOR 40W 12V PKD	
21		1	K2	
22		1	K2	
23	146 3035 000	1	Sidekost standard	
23*	146 3036 000	1	Sidekost nylon til tæpper	
24		3	K3	
25		1	K4	
26	1464676000	1	COVER LEFT SIDE BROOM	
27	1465498000	1	BUMPER LEFT BROOM	
28	1465012000	1	SUPPORT LEFT SIDE BROOM	
29	1465014000	1	SUPPORT LEFT SIDE BROOM SWITCH	
30	1465142000	1	HARNES LEFT BROOM	
31		1	K3	
32	1465183000	1	LEVER LEFT SIDE BROOM CONTROL	
33		1	K4	
34	9100000792	1	MICROSWITCH 16A 250V PKD	
35		4	K3-K4	
36		2	K4	
37		1	K3	
38		1	K3	
39		3	K3	
40	1465532000	1	CABLE FOR SIDE BROOM LEVER	
41		2	K4	
42		1	K4	
43		2	K4	
44		2	K4	
45		1	K4	
K1*	1465408000	1	Sidekost kit venstre	[1]
K1*	1466497000	1	BROOM LEFT SIDE PPL W/RECYCLING KIT	[2]
K2	1463865000	1	Monteringsplade	
K3	1465595000	1	SKIRTS RECYCLING KIT	[3]
K3	1466489000	1	SKIRT RECYCLING LT SIDE KIT	[4]
K4	1465471000	1	HARDWARE SIDE BROOM KIT	[5]

Part Notes:

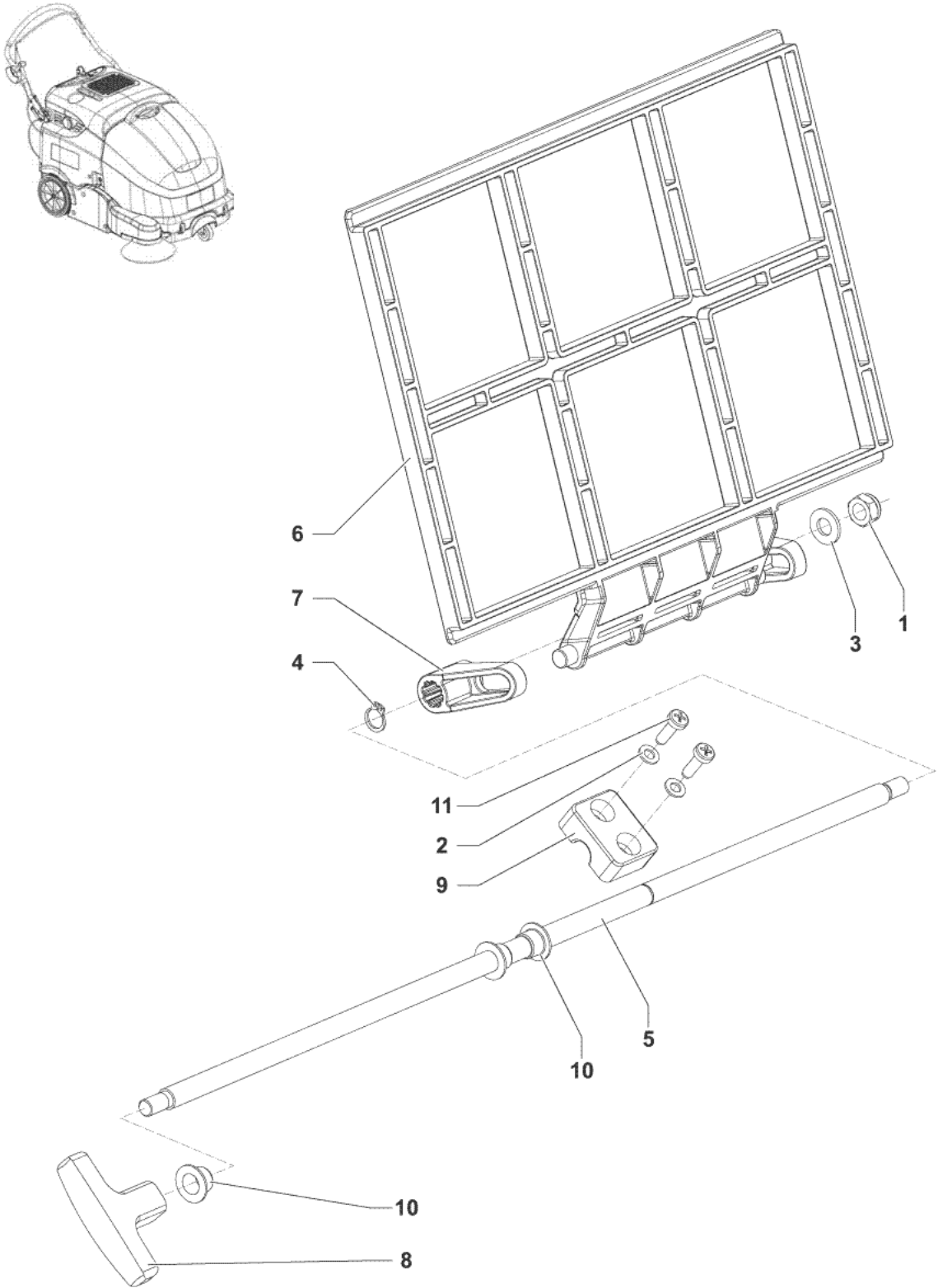
- [1] - OPTIONAL - INSTALLATION INSTRUCTION REF. 1465407000
- [2] - STARTING MACHINE S.No 3810152500016 - SEE TSB-FC-2015-014- INST. INSTR. 1466499000
- [3] - UNTIL MACHINE S.No 3810152500015
- [4] - STARTING MACHINE S.No 3810152500016 - SEE TSB-FC-2015-014- INST. INSTR. 1466485000
- [5] - NOT SHOWN



Pos.	Vare-nr	Antal	Beskrivelse	Notes
1	33003435	1	DOUBLE COLLAR D5	
2		1	K1	
3		2	K1	
4		2	K1	
5		3	K1	
6		8	K1	
7		8	K1	
8		12	K1	
9		2	K1	
10		2	K1	
11		1	K1	
12		1	K1	
13	1464884000	2	LOCK LEVER	
14	1465610000	1	GASKET BULB REINFORCED L.1070MM PKD	
15	1465146000	1	Ramme til panelfilter	
16	1465517000	1	GASKET FOR CONVEYOR	
17	1465525000	1	LATCH RUBBER	
18		4	K1	
19		4	K1	
20		9	K1	
21	1464902000	1	Panelfilter papir	
21*	1464691000	1	Panelfilter polyester	[1]
22	33010103	1	DIFFUSER AIR	
23	1464887000	1	HOSE WET BY-PASS	
24	9100001348	1	CLAMP 14/32-52 10 PCS SET	
25*	1465018000	1	For-filter	[1]
[K1]	1465472000	1	SUPPORT FILTER KIT	[2]

Part Notes:

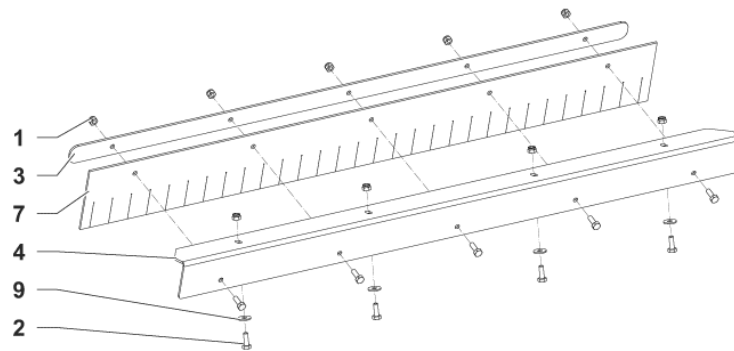
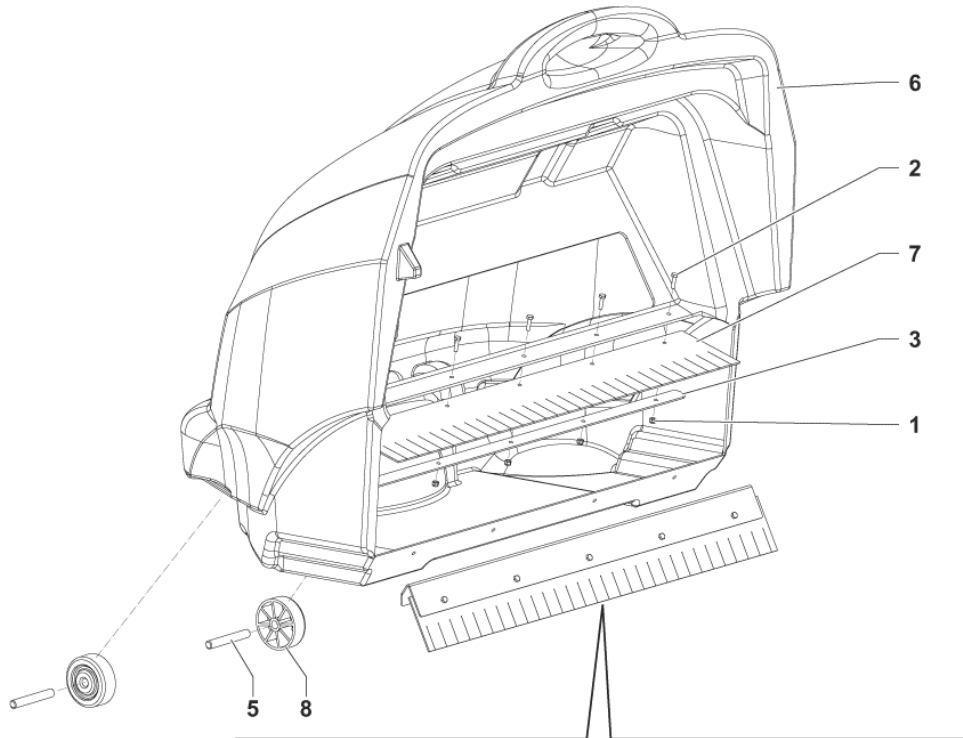
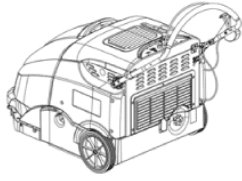
- [1] - OPTION
- [2] - NOT SHOWN



Pos.	Vare-nr	Antal	Beskrivelse	Notes
1		1	K1	
2		2	K1	
3		1	K1	
4		1	K1	
5	1465028000	1	ROD FILTER SHAKER	
6	1465029000	1	RAKE FILTER SHAKER	
7	1465030000	2	DRAGGER FILTER SHAKER	
8	1465103000	1	HANDLE M8 PLASTIC	
9		1	K1	
10		3	K1	
11		2	K1	
[K1]	1465479000	1	HARDWARE MANUAL FILTER SHAKER KIT	[1]
[K2]	1465480000	1	Filterryster manuel kit	[1]

Part Notes:

[1] - NOT SHOWN

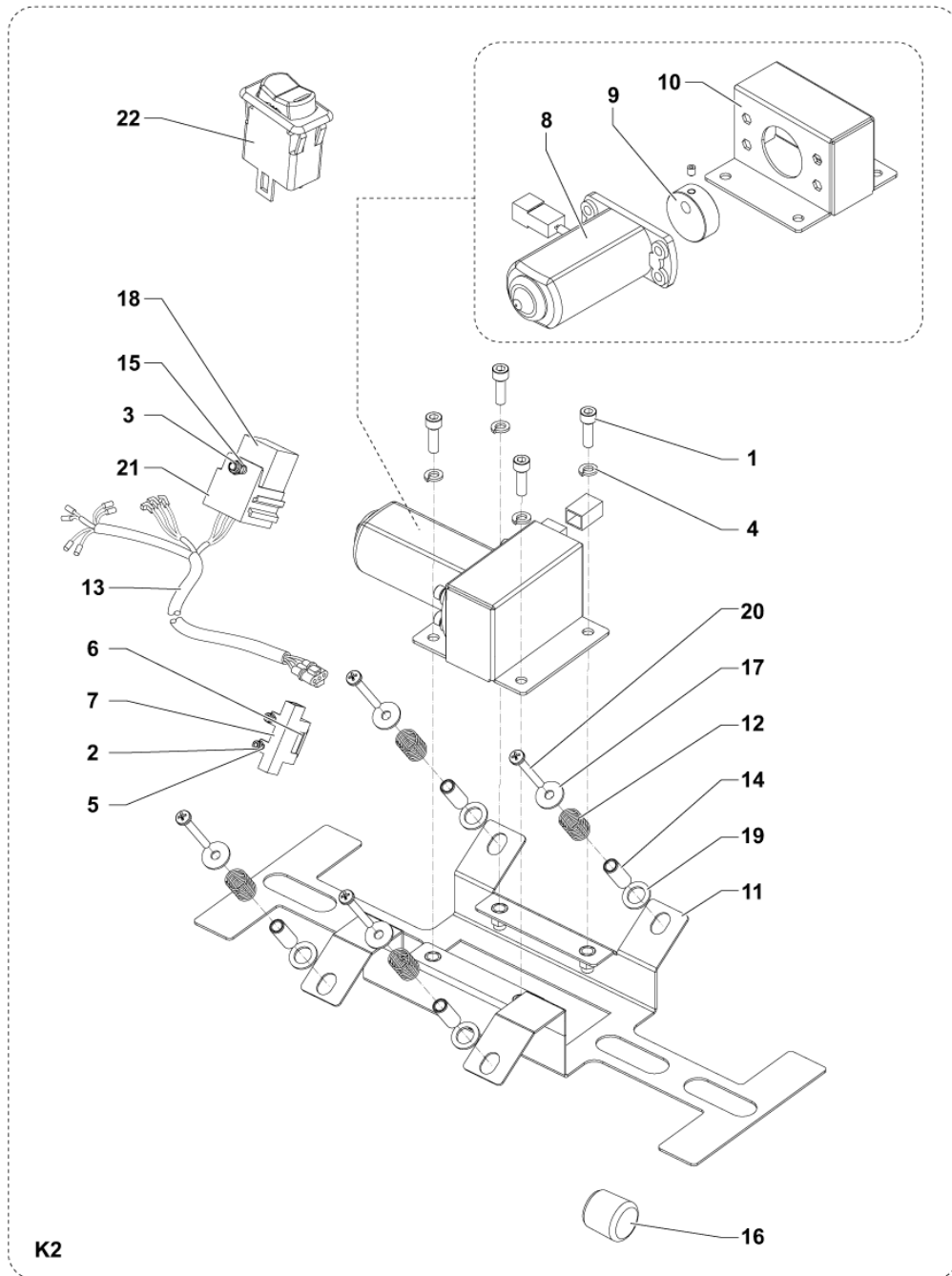


Pos.	Vare-nr	Antal	Beskrivelse	Notes
1		14	K1	
2		14	K1	
3		2	K1	
4		1	K1	
5	1464997000	2	PIN D.9.5X70	
6	1465149000	1	CONTAINER WASTE BLUE	
7	1465476000	1	SKIRTS WASTE CONTAINER KIT	
8	L08602460	2	Wheel	
9		9	K1	
[K1]	1465475000	1	HARDWARE WASTE CONTAINER KIT	[1]

Part Notes:

[1] - NOT SHOWN

Pos.	Vare-nr	Antal	Beskrivelse	Notes
NW	1465215000	1	Fejevalse PPL (265 x 600) 0,8-0,5	
NW	1465463000	1	SKIRTS KIT	
NW	146 3035 000	1	Sidekost standard	
OM	1465610000	1	GASKET BULB REINFORCED L.1070MM PKD	
OM	1464691000	1	Panelfilter polyester	
OM	1464756000	1	DINAMOTOR MP80 12V 200 W	
OM	1464433000	1	Brush Carbon Kit 4Pcs	
OM	1467644000	1	BELT V COGGED XPZ 912 SIP	
OM	1467643000	1	BELT V COGGED XPZ 1162 SIP	
OM	1464045000	1	Rem-Sæt	
OM	44905699	3	BEARING BALL 6001 2RS PKD	
OM	909 6602 000	1	WHEEL CASTOR	
OM	1465999000	1	REDUCTION GEAR MOTOR 40W 12V PKD	
OM	1464908000	1	CABLE TRACTION	
OM	146 0823 000	1	Filter.Air	
OM	146 0822 000	1	Plug.Spark	
OM	146 0824 000	1	Pre-Filter Air	
EM	1465146000	1	Ramme til panelfilter	
EM	1464884000	2	LOCK LEVER	
EM	1464725000	1	REDUCTION GEAR COMPLETE	
EM	1466521000	1	GEAR SPUR PLASTIC 150P 50T PKD	
EM	1466522000	1	GEAR SPUR PLASTIC 42P 14T PKD	
EM	145 1123 000	3	Kullager, Aw 400-Serien	
EM	1464719000	2	SPRING TORSION 2.8X24	
EM	1464476000	1	KNOB LOBES M10 F. W/YELLOW CAP	
EM	9100000792	1	MICROSWITCH 16A 250V PKD	
EM	1466506000	1	MICROSWITCH 10A 250V PKD	
EM	1465017000	1	LEVER RIGHT SIDE BROOM CONTROL	
EM	1465532000	1	CABLE FOR SIDE BROOM LEVER	
EM	146 1318 000	4	VIBRATION-DAMPING M8 45SH	



Pos.	Vare-nr	Antal	Beskrivelse	Notes
1		4	K1	
2		2	K1	
3		1	K1	
4		4	K1	
5		2	K1	
6	145 9852 000	1	Sikring 5A	
7	1467035000	1	HOLDER FUSE THERMOPL.UL 94-V0 SIP	
8	146 0527 000	1	Motor Til Filterryster Sw700-850	
9	1466857000	1	CAM F FILTER SHAKER KIT	
10	1466335000	1	BRACKET FILTER SHAKER SIP	
11		1	K1	
12		4	K1	
13	1465143000	1	HARNESSE FILTER SHAKER	
14		4	K1	
15		1	K1	
16		1	K1	
17		4	K1	
18	9098441000	1	Relæ 12 Volt	
19		4	K1	
20		4	K1	
21	33009104	1	RELAY SUPPORT	
22	1465465000	1	SWITCH KIT	
[K1]	1465473000	1	HARDWARE EL. FILTER SHAKER KIT	[1]
K2*	1465474000	1	Elektrisk filterryster kit	[2]

Part Notes:

- [1] - NOT SHOWN
 [2] - OPTION - INSTALLATION INSTRUCTIONS REF. 1465627000

Pos.	Vare-nr	Antal	Beskrivelse	Notes
	1465541000	1	Sværtøfrit sideskørt kit	
	9096951000	1	Timetæller kit, 24 V	
	1465216000	1	Fejevalse Mix 5 (265 x 600)	
	146 0750 000	1	Fejevalse stålmix	
	146 3036 000	1	Sidekost nylon til tæpper	
	1465408000	1	Sidekost kit venstre	
	1464691000	1	Panelfilter polyester	
	1465018000	1	For-filter	
	1465474000	1	Elektrisk filterryster kit	

