

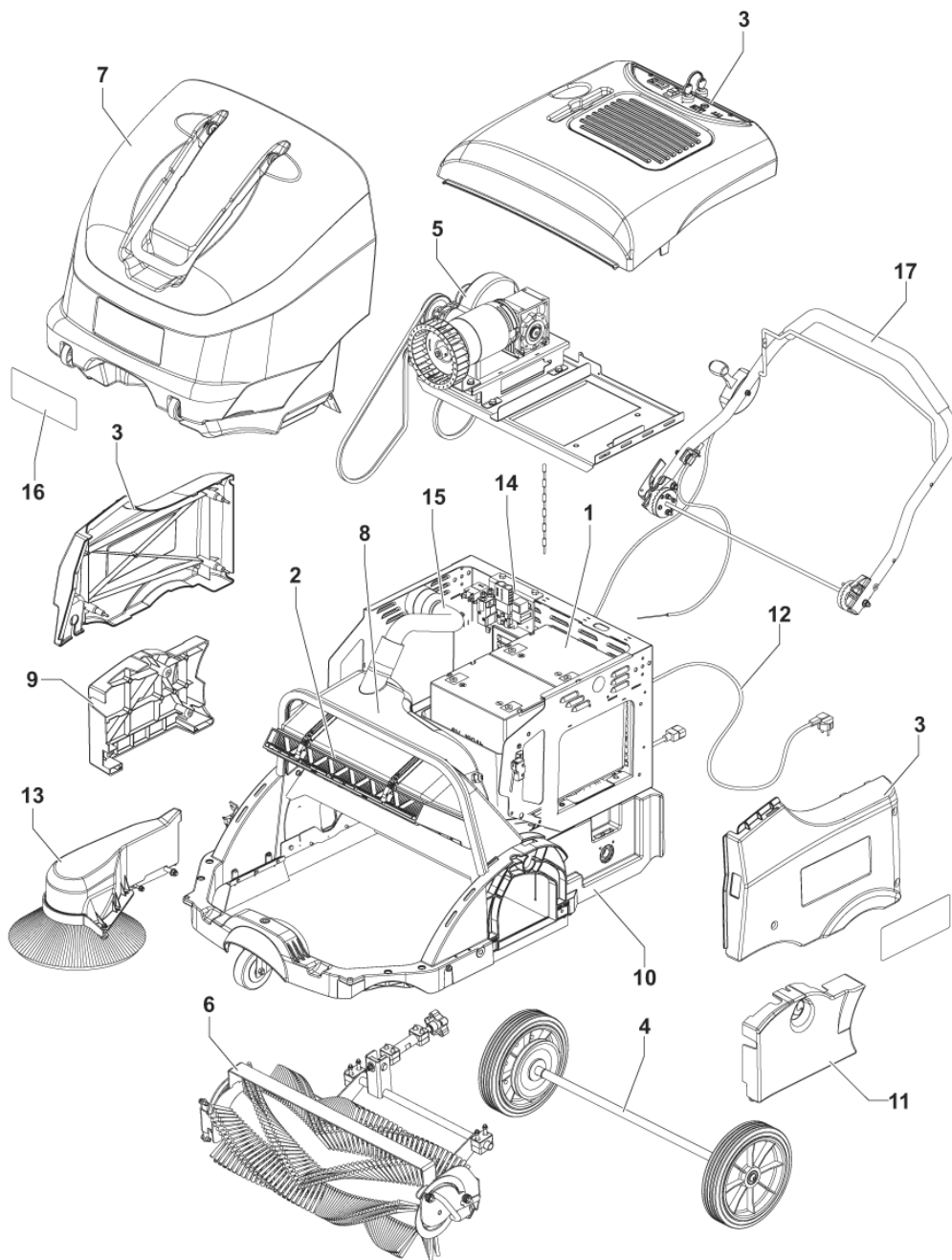
PARTS LIST



2017.08.01

TABLE OF CONTENTS

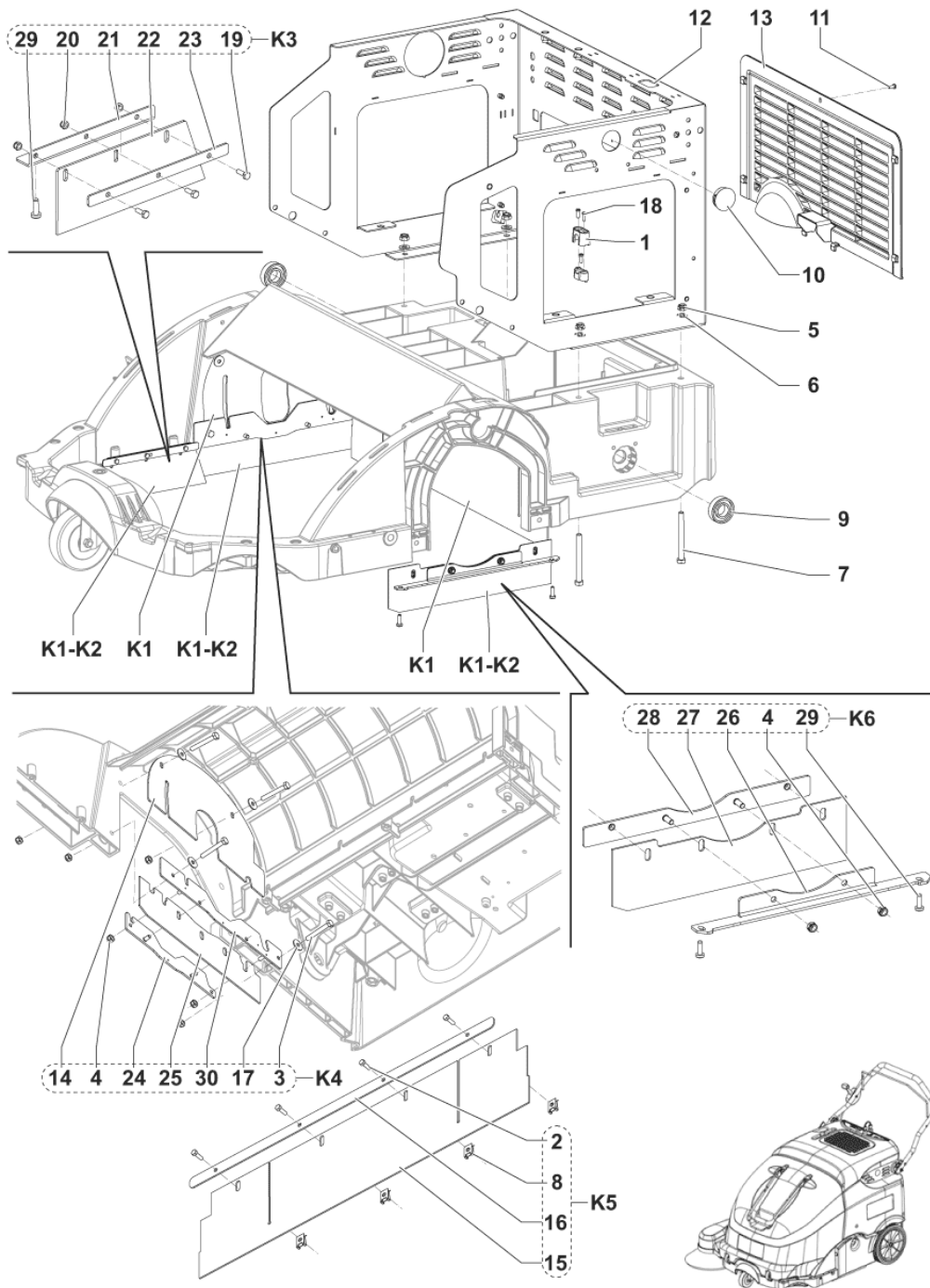
GENERAL VIEW	1
FRAME SYSTEM.....	3
SKIRT SYSTEM.....	5
TRANSMISSION SYSTEM.....	7
WHEELS SYSTEM.....	9
RIGHT BROOM.....	11
CHASSIS SYSTEM.....	13
WIRING DIAGRAM.....	15
ACCESSORIES.....	17
COVERS SYSTEM.....	19
CONTROL PANEL SYSTEM.....	21
HANDLE SYSTEM.....	23
MAIN BROOM SYSTEM.....	25
LEFT BROOM (OPTIONAL).....	27
FILTER SYSTEM.....	29
FILTER SHAKER SYSTEM.....	31
HOPPER SYSTEM.....	33
ELECTRICAL SYSTEM.....	35
RECOMMENDED SPARE PARTS.....	37
Option.....	39



Pos.	Vare-nr	Antal	Beskrivelse	Notes
1*	80564400	1	Batteri 12V 105A GEL monoblok	[1]
1*	80563211	2	Batteri 6V 175A WET rørcelle monoblok	[1]
1*	80564600	1	Batteri 12V 110A WET rørcelle monoblok	[1]
1*	80564000	2	Batteri 6V 180A GEL monoblok	[1]
2		1	FILTER ASSEMBLY	[2]
3		1	COVERS PROTECTION ASSEMBLY	[3]
4		1	WHEELS TRACTION ASSEMBLY	
5		1	TRANSMISSION ASSEMBLY	
6		1	CENTRAL BROOM ASSEMBLY	
7		1	HOPPER ASSEMBLY	
8		1	SHAKER ELECTRIC FILTER ASSEMBLY	
9		1	HATCH RIGHT ASSEMBLY	
10		1	CHASSIS ASSEMBLY	
11		1	HATCH LEFT ASSEMBLY	
12		1	BATTERY CHARGER ASSEMBLY	
13		1	BROOM RIGHT SIDE ASSEMBLY	
14		1	WIRING SYSTEM ASSEMBLY	
15		1	WET BY-PASS ASSEMBLY	
16	1465458000	1	DECALS SW900 84 B/P KIT	
16	1465459000		DECALS SW900 33B KIT	
17		1	HANDLE BAR ASSEMBLY	

Part Notes:

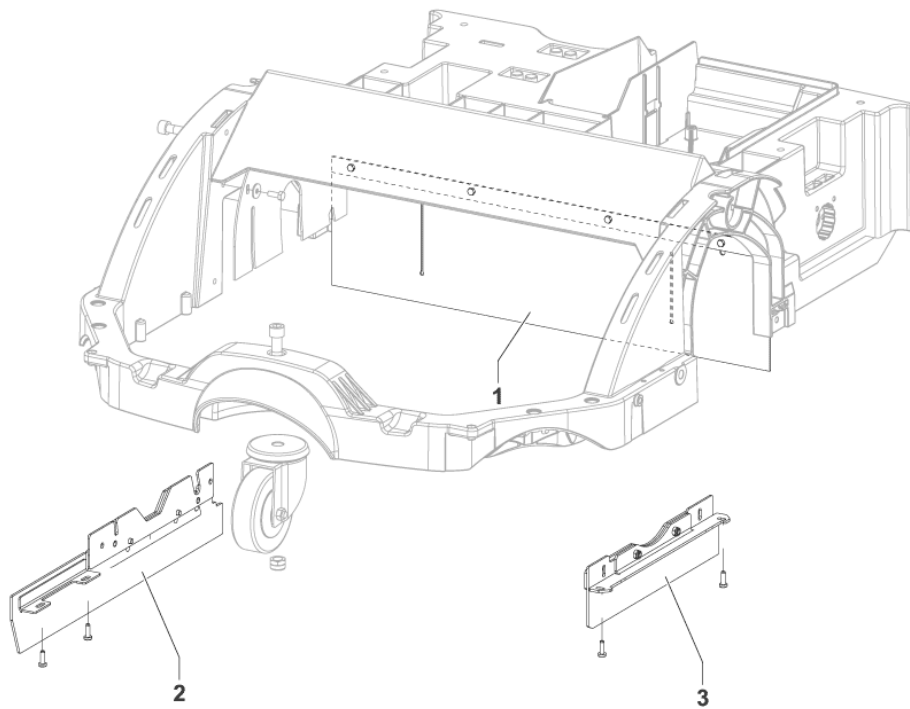
- [1] - OPTION
 [2] - See FILTER SYSTEM
 [3] - See COVERS SYSTEM



Pos.	Vare-nr	Antal	Beskrivelse	Notes
1		1	K7	
2		4	K5-K7	
3		4	K4-K7	
4		6	K4-K7	
5		4	K7	
6		4	K7	
7		4	K7	
8		4	K5-K7	
9		2	K7	
10	145 9835 000	1	CAP D.38.1	
11		1	K7	
12	1464654000	1	CHASSIS REAR	
13	1464655000	1	GRID REAR VENTING	
14		1	K1-K4	
15		1	K1-K5	
16		1	K5-K7	
17		2	K4-K7	
18		3	K7	
19		3	K3-K7	
20		3	K3	
21		1	K3	
22		1	K1-K3	
23		1	K3	
24		1	K4	
25		1	K1-K4	
26		1	K6	
27		1	K1-K6	
28		1	K6	
29		4	K3-K6	
30		1	K4	
K1	1465463000	1	SKIRTS KIT	[1]
K2*	1465541000	1	Sværtefrit sideskørt kit	[2]
K3	1465595000	1	SKIRTS RECYCLING KIT	[1]
K4	1465596000	1	SKIRT RIGHT SIDE KIT	[1]
K5	1465597000	1	SKIRT REAR KIT	[1]
K6	1465598000	1	SKIRT LEFT SIDE KIT	[1]
K7	1465462000	1	HARDWARE REAR CHASSIS KIT	[3]

Part Notes:

- [1] - UNTIL MACHINE S.No 3810152500015
- [2] - OPTION
- [3] - NOT SHOWN

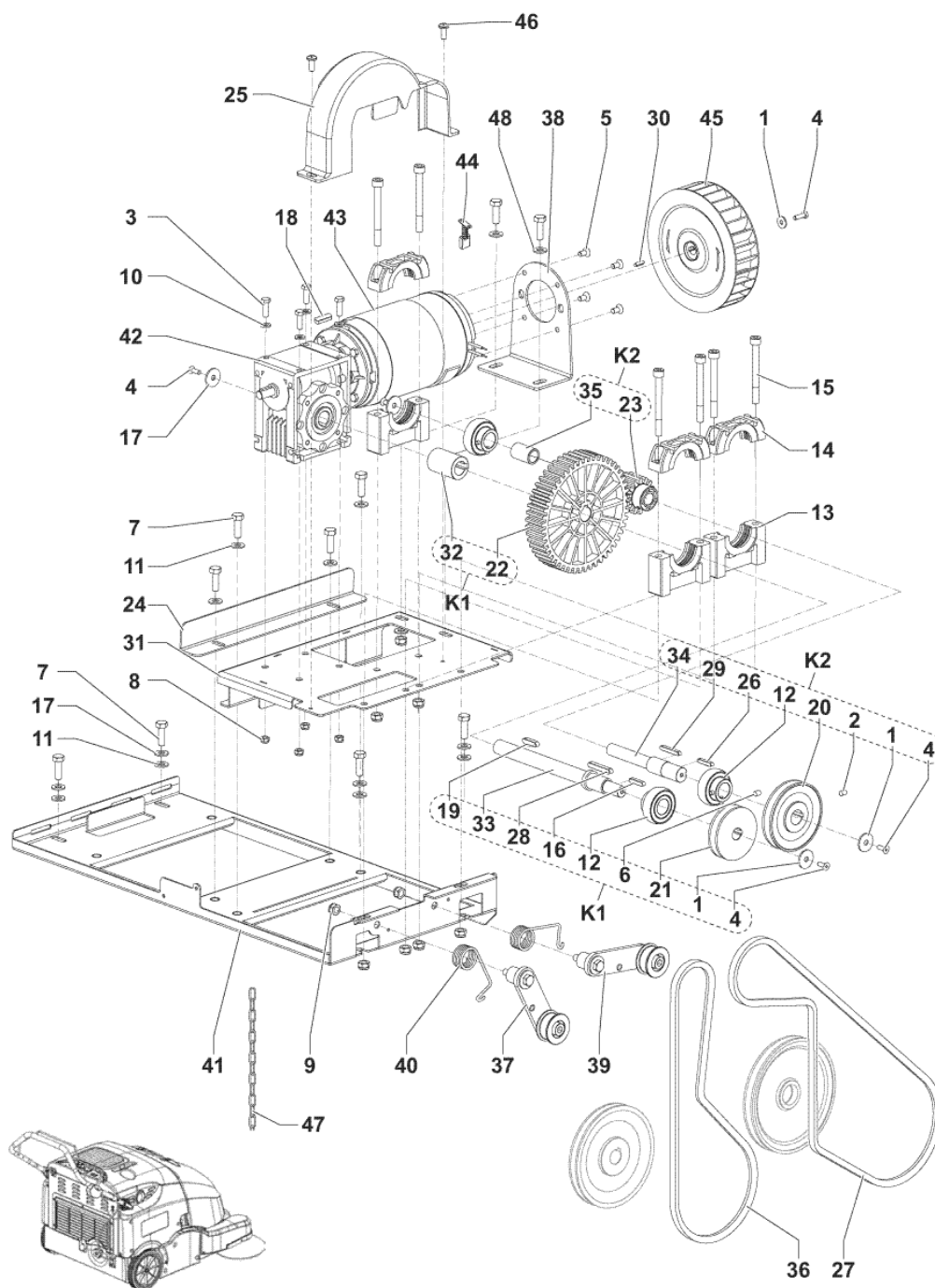


Pos.	Vare-nr	Antal	Beskrivelse	Notes
1	1465597000		SKIRT REAR KIT	[1]
1	1466491000	1	SKIRT CENTRAL REAR KIT	[2]
2	1465596000	1	SKIRT RIGHT SIDE KIT	[1]
2	1465595000	1	SKIRTS RECYCLING KIT	[1]
2	1466488000	1	SKIRT RECYCLING RT SIDE KIT	[3]
3	1465598000	1	SKIRT LEFT SIDE KIT	[1]
3	1466490000	1	SKIRT LT SIDE KIT	[4]
3	1466489000	1	SKIRT RECYCLING LT SIDE KIT	[5]
4	1465463000	1	SKIRTS KIT	[6]

Part Notes:

- [1] - TILLMACHINE S.No 3810152500015 - SEE TSB-FC-2015-014
- [2] - STARTING MACHINE S.No 3810152500016 - SEE TSB-FC-2015-014
- [3] - STARTING MACHINE S.No 3810152500016 - SEE TSB-FC-2015-014- INST. INSTR. 1466484000
- [4] - STARTING MACHINE S.No 3810152500016 - SEE TSB-FC-2015-014
FOR ONE SIDE BROOM ONLY
- [5] - STARTING MACHINE S.No 3810152500016 - SEETSB-FC-2015-014- INST. INSTR. 1466485000
FOR TWO SIDE BROOMS ONLY
- [6] - TILLMACHINE S.No 3810152500015 - SEE TSB-FC-2015-014

NOT SHOWN (INCLUDED POS. 1, 2, 3)



TRASMISSION SYSTEM

SW900 B NIL

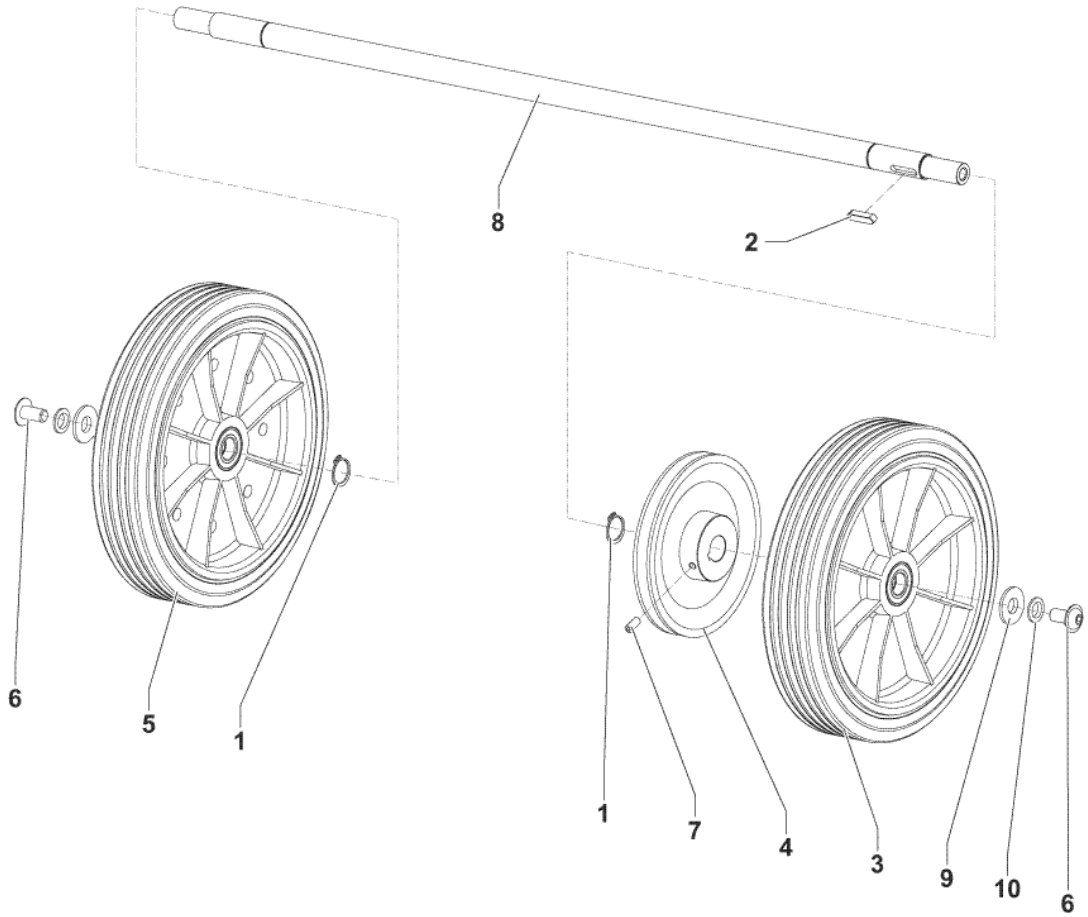
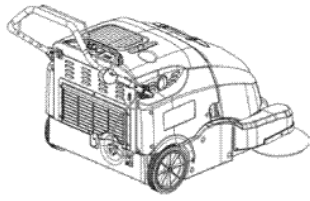
2015.05.19

2017.07.03

Pos.	Vare-nr	Antal	Beskrivelse	Notes
1		5	K1-K2-K3	
2		1	K2	
3		4	K3	
4		5	K1-K2-K3	
5		4	K3	
6		1	K1	
7		10	K2	
8		4	K3	
9		8	K3	
10		8	K3	
11		8	K3	
12	145 1123 000	3	Kullager, Aw 400-Serien	
13	145 1976 000	3	Lejepande Aw	
14	145 1977 000	3	Support	
15		6	K3	
16		1	K1	
17		6	K3	
18		1	K3	
19		1	K1	
20		1	K2	
21		1	K1	
22	1466521000	1	GEAR SPUR PLASTIC 150P 50T PKD	
23	1466522000	1	GEAR SPUR PLASTIC 42P 14T PKD	
24	146 0543 000	1	BRACKET BATTERY RETAINING	
25	146 0605 000	1	COVER	
26		1	K3	
27	1467643000	1	BELT V COGGED XPZ 1162 SIP	
28		1	K1	
29		1	K3	
30		1	K3	
31	1464681000	1	SUPPORT GEAR BOX	
32		1	K1	
33		1	K1	
34		1	K2	
35		1	K2	
36	1467644000	1	BELT V COGGED XPZ 912 SIP	
37	1465601000	1	TENSIONER BELT WHEELS KIT	
38	1464703000	1	SUPPORT BEARING	
39	1465602000	1	TENSIONER BELT BROOM KIT	
40	1464719000	2	SPRING TORSION 2.8X24	
41	1464722000	1	PLATE TRANSMISSION SUPPORT	
42	1464725000	1	REDUCTION GEAR COMPLETE	
43	1464744000	1	MOTOR ELECTRIC 12V 680W	
44	1464433000	1	Brush Carbon Kit 4Pcs	
45	1464747000	1	FAN D.160 X40	
46		2	K3	
47	1465607000	1	CHAIN GROUND KIT	
48		4	K3	
K1	1466784000	1	SHAFT TRACTION KIT	
K2	1466785000	1	SHAFT BROOM KIT	
K3	1465467000	1	HARDWARE TRASMISSION KIT	[1]

Part Notes:

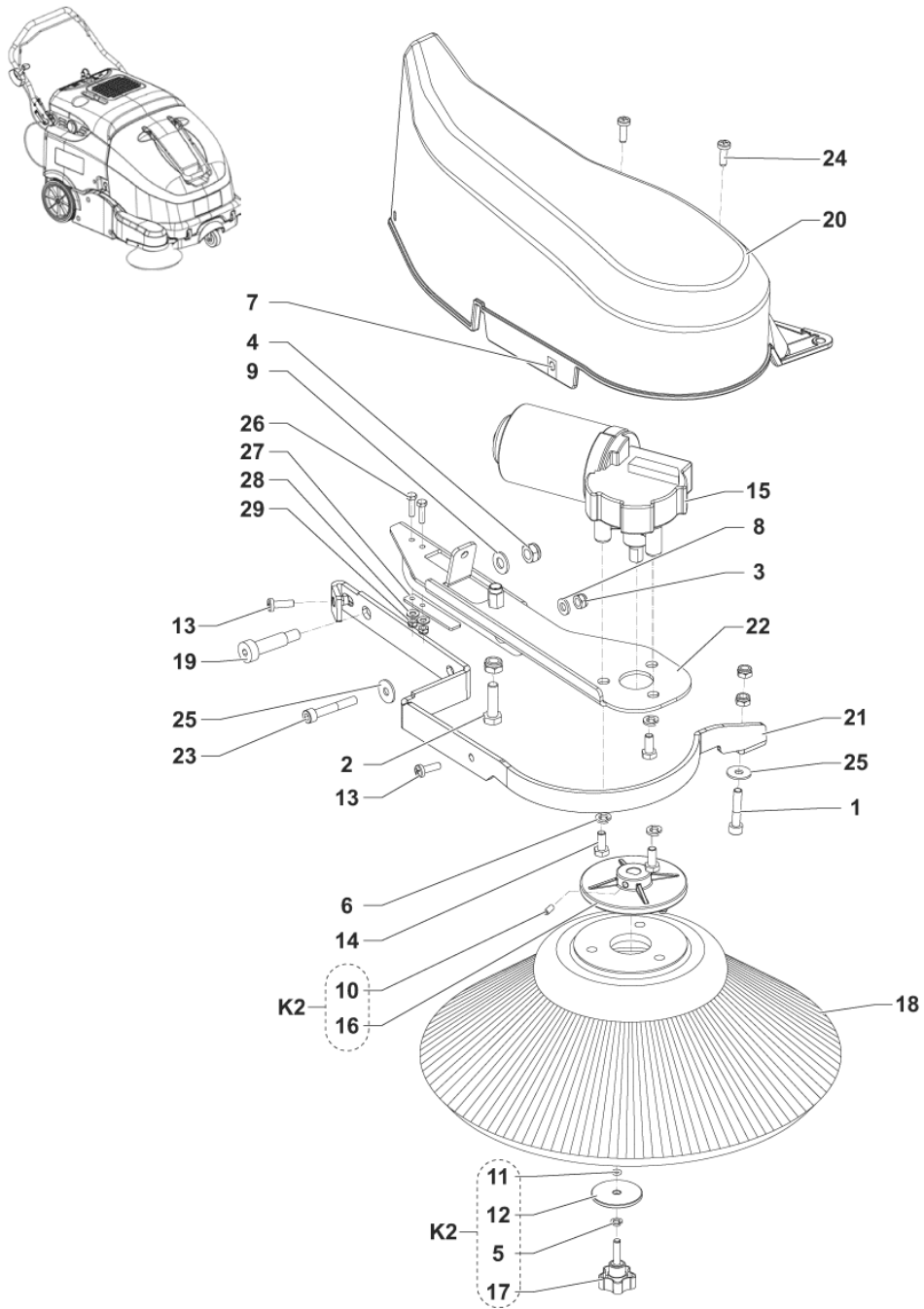
[1] - NOT SHOWN



Pos.	Vare-nr	Antal	Beskrivelse	Notes
1		2	K1	
2		1	K1	
3-5	1466077000	1	SHAFT TRACTION WHEELS KIT	[1]
4		1	K1	
6		2	K1	
7		1	K1	
8	1466077000	1	SHAFT TRACTION WHEELS KIT	
9		2	K1	
10		2	K1	
K1	1465469000	1	HARDWARE WHEELS KIT	[2]

Part Notes:

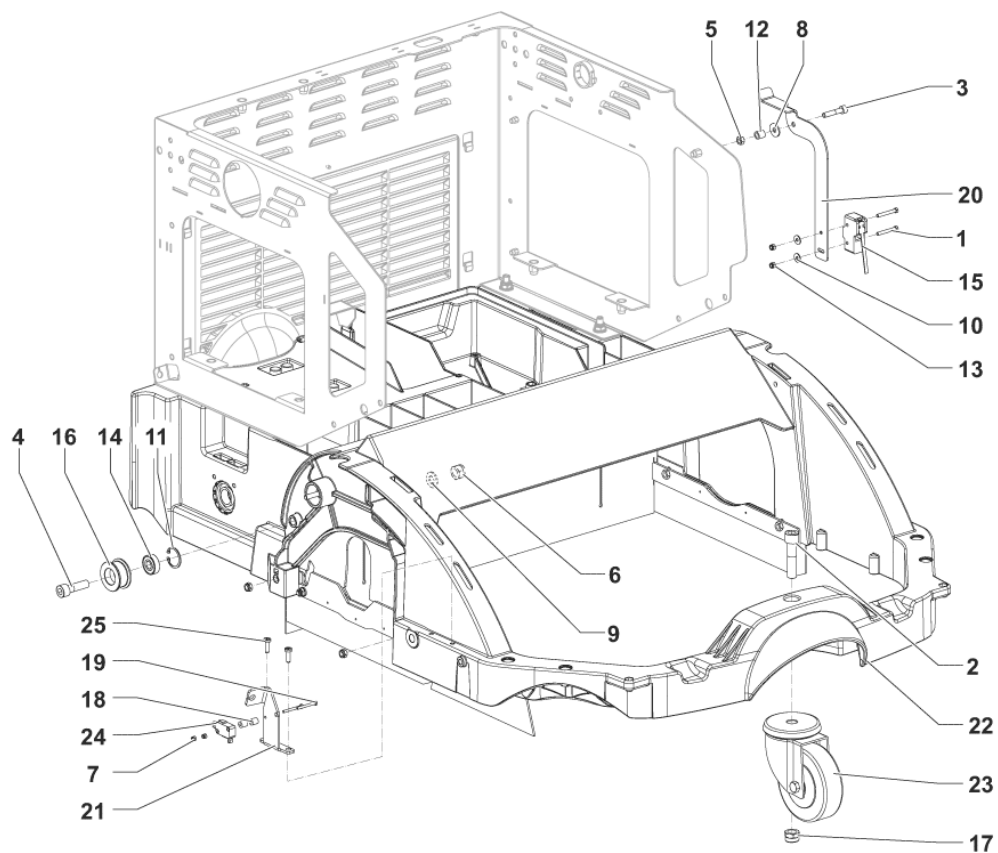
- [1] - TSB-FC-2014-039
- [2] - NOT SHOWN



Pos.	Vare-nr	Antal	Beskrivelse	Notes
1		1	K1	
2		1	K1	
3		3	K1	
4		2	K1	
5		1	K2	
6		3	K1	
7		1	K1	
8		1	K1	
9		1	K1	
10		1	K2	
11		1	K2	
12		1	K2	
13		2	K1	
14		3	K1	
15	1465999000	1	REDUCTION GEARMOTOR 40W 12V PKD	
16		1	K2	
17		1	K2	
18	146 3035 000	1	Sidekost standard	
18*	146 3036 000	1	Sidekost nylon til tæpper	[1]
19		1	K1	
20	1464675000	1	COVER RIGHT SIDE BROOM	
21	1465497000	1	BUMPER RIGHT BROOM	
22	1465011000	1	SUPPORT RIGHT SIDE BROOM	
23		1	K1	
24		2	K1	
25		2	K1	
26		2	K3	
27		1	K3	
28		2	K3	
29		2	K3	
K1	1465471000	1	HARDWARE SIDE BROOM KIT	[2]
K2	1463865000	1	Monteringsplade	
K3	1467691000	1	PADDLE FOR DRIVE MICROSWITCH KIT	[2]

Part Notes:

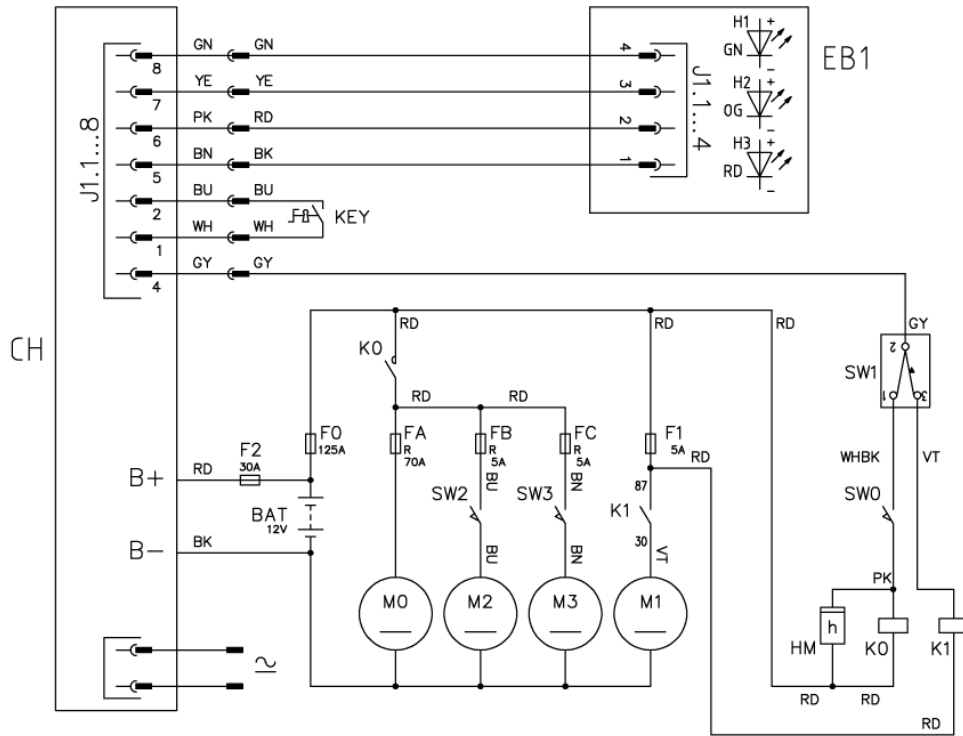
- [1] - OPTION
 [2] - NOT SHOWN



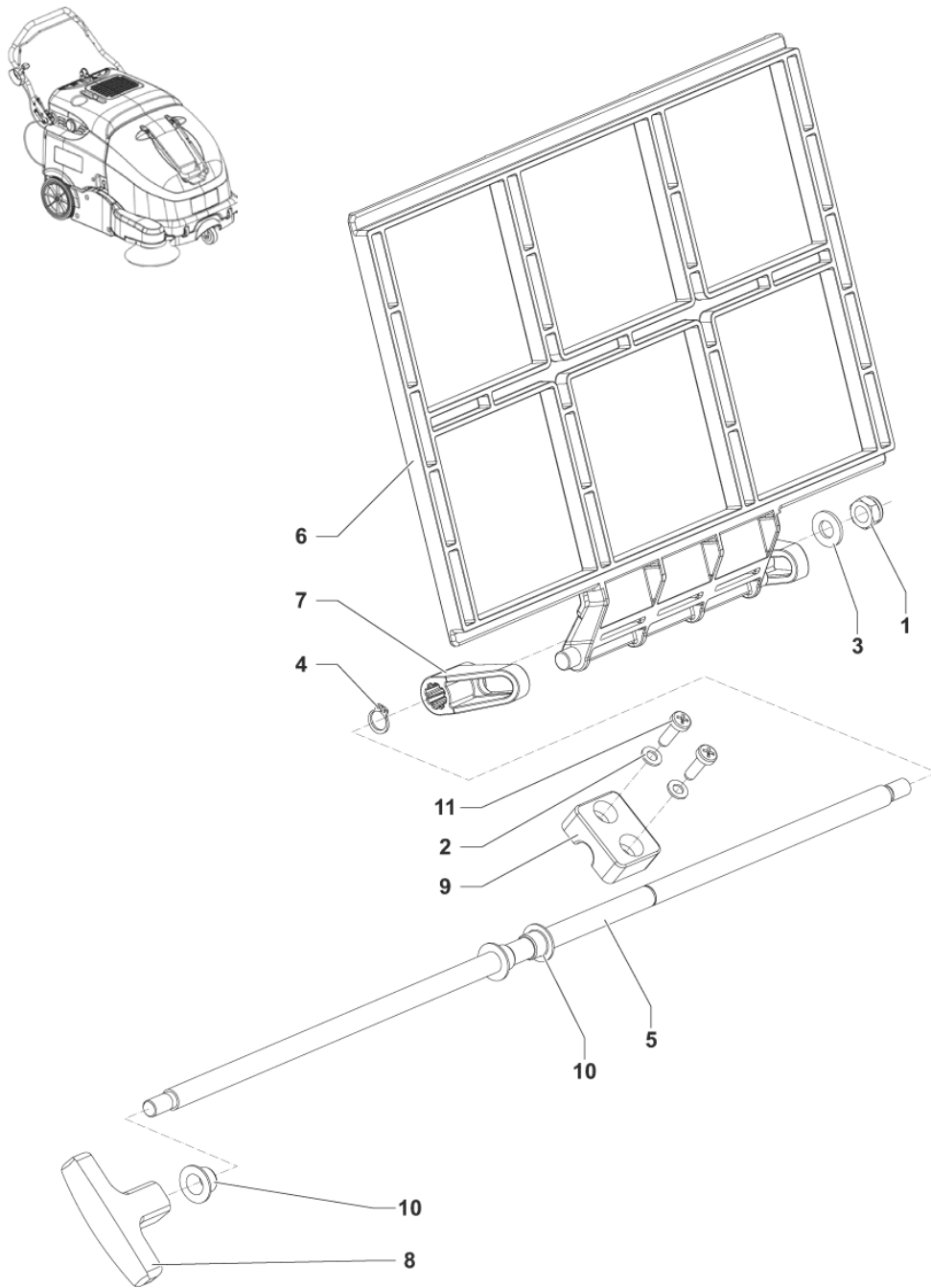
Pos.	Vare-nr	Antal	Beskrivelse	Notes
1		2	K1	
2		1	K1	
3		1	K1	
4		1	K1	
5		1	K1	
6		1	K1	
7		2	K1	
8		1	K1	
9		1	K1	
10		2	K1	
11		1	K1	
12		1	K1	
13		2	K1	
14		1	K1	
15	1466506000	1	MICROSWITCH 10A 250V PKD	
16		1	K1	
17		1	K1	
18		2	K1	
19		2	K1	
20	1464998000	1	BRACKET FOR CONTAINER-COVER SWITCH	
21	1465013000	1	SUPPORT RIGHT SIDE BROOM SWITCH	
22	1465015000	1	CHASSIS	
23	909 6602 000	1	WHEEL CASTOR	
24	9100000792	1	MICROSWITCH 16A 250V PKD	
25		2	K1	
K1	1465461000	1	HARDWARE CHASSIS KIT	[1]

Part Notes:

[1] - NOT SHOWN



Pos.	Vare-nr	Antal	Beskrivelse	Notes
BAT				
CH	1466519000		Indbygget oplader 12V 25A	
EB1	146 3073 000		BOARD LED	
F0	9099756000		FUSE 125A	
F1	145 9853 000		Sikring 15 A, Sw700S	
F2	1465102000		FUSE STRIP 30A	
FA	1465606000		CIRCUIT BREAKER 70A KIT	
FB	1465605000		CIRCUIT BREAKER 5A KIT	
FC	1465605000		CIRCUIT BREAKER 5A KIT	
HM	9096951000		Timetæller kit, 24 V	
K0	1464904000		SWITCH ELECTROMAGNETIC 12V 100A	
K1	9098441000		Relæ 12 Volt	
KEY	9100001354		SWITCH KEY WITH CAP PKD	
M0	1464744000		MOTOR ELECTRIC 12V 680W	
M1	146 0527 000		Motor Til Filterryster Sw700-850	
M2	1465999000		REDUCTION GEARMOTOR 40W 12V PKD	
M3	1465999000		REDUCTION GEARMOTOR 40W 12V PKD	
SW0	1466506000		MICROSWITCH 10A 250V PKD	
SW1	1465465000		SWITCH KIT	
SW2	9100000792		MICROSWITCH 16A 250V PKD	
SW3	9100000792		MICROSWITCH 16A 250V PKD	



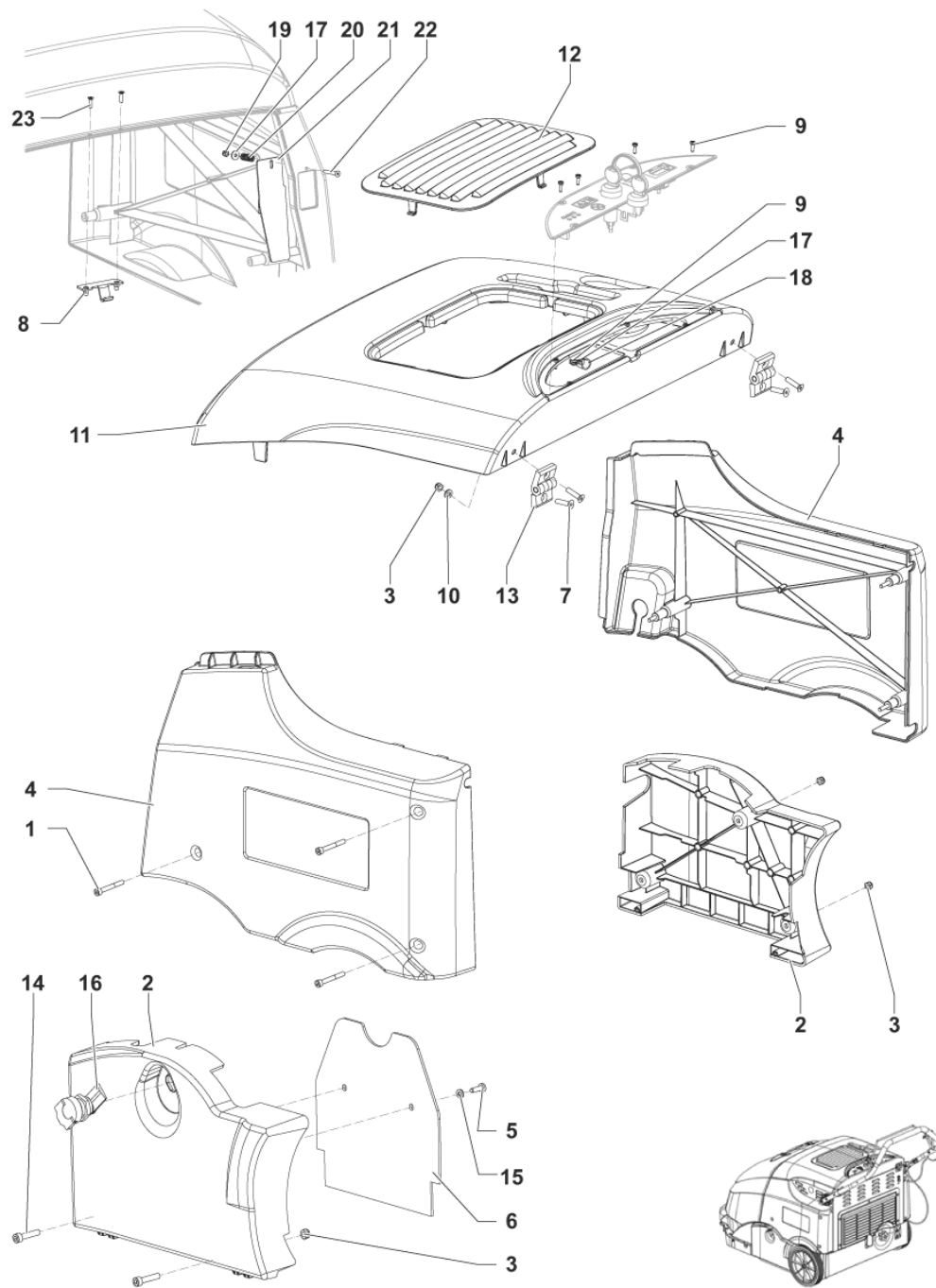
Pos.	Vare-nr	Antal	Beskrivelse	Notes
1		1	K1	
2		2	K1	
3		1	K1	
4		1	K1	
5	1465028000	1	ROD FILTER SHAKER	
6	1465029000	1	RAKE FILTER SHAKER	
7	1465030000	2	DRAGGER FILTER SHAKER	
8	1465103000	1	HANDLE M8 PLASTIC	
9		1	K1	
10		3	K1	
11		2	K1	
K1	1465479000	1	HARDWARE MANUAL FILTER SHAKER KIT	[1]
K2*	1465480000	1	Filterryster manuel kit	[2]

Part Notes:

[1] - NOT SHOWN

[2] - NOT SHOWN

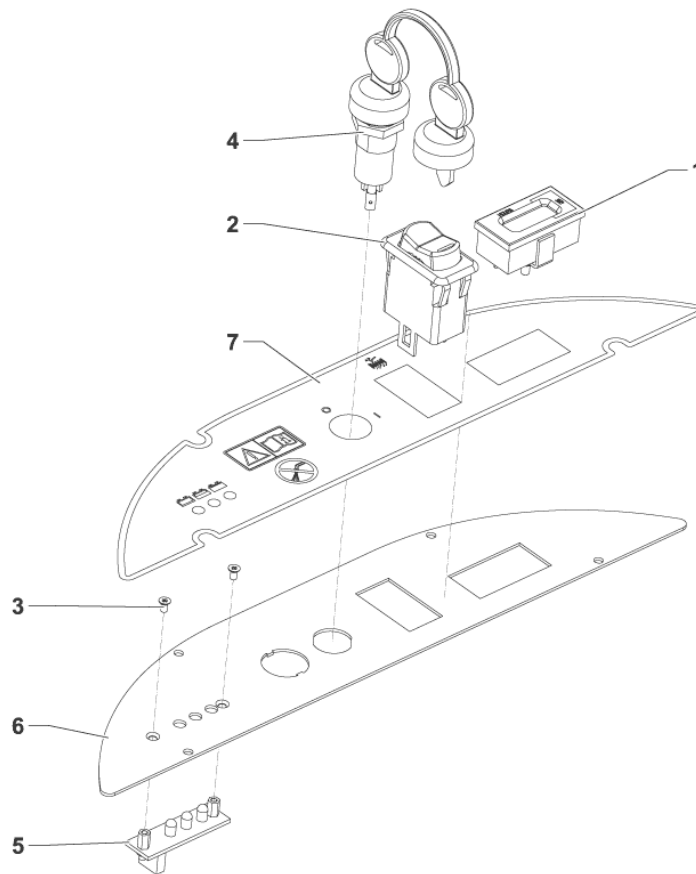
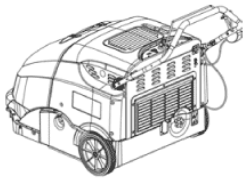
OPTION - INSTALLATION INSTRUCTION REF. 1465626000



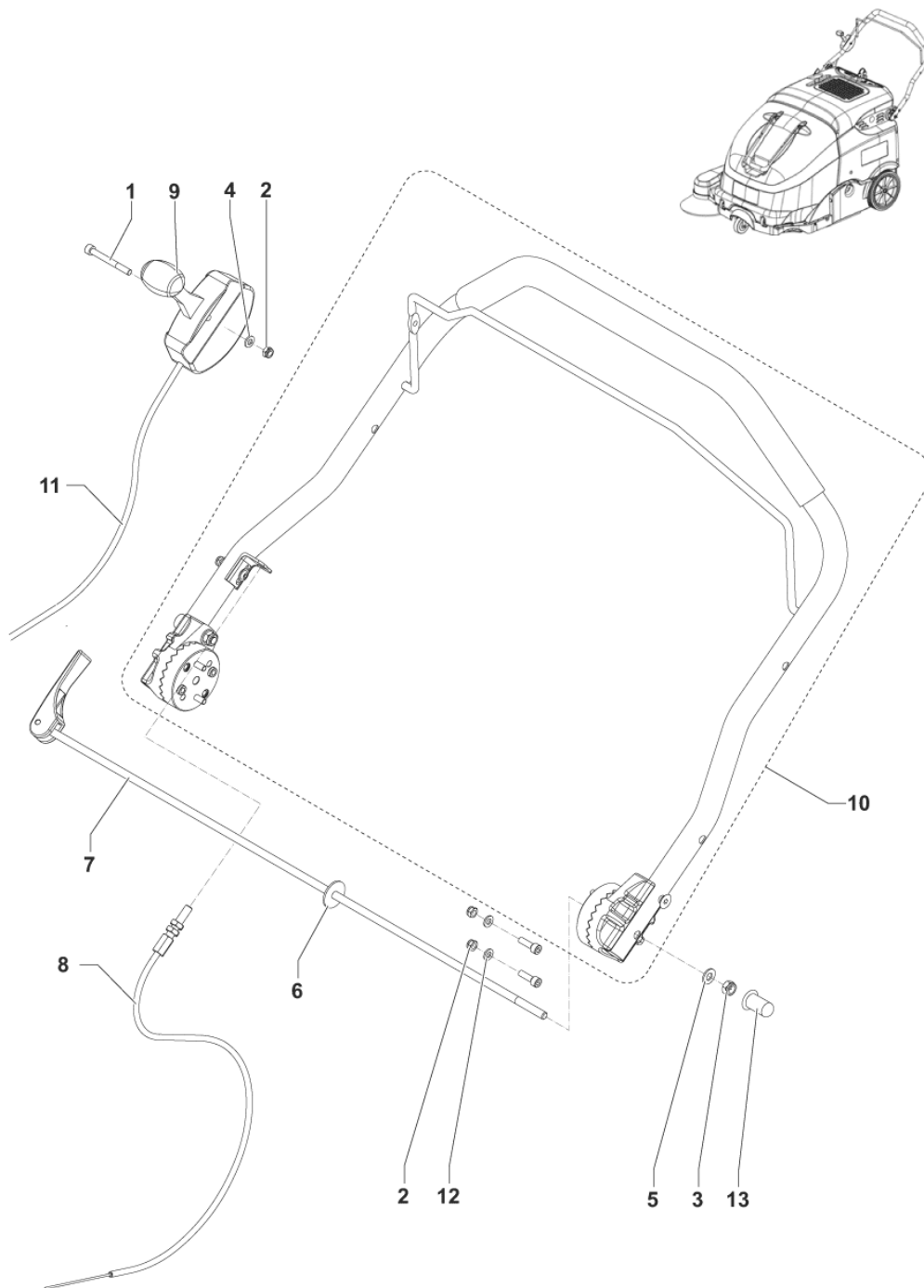
Pos.	Vare-nr	Antal	Beskrivelse	Notes
1		6	K1	
2	1465545000	1	COVER UPPER BLACK KIT	
3		5	K1	
4	1465546000	1	COVERS SIDE GREY KIT	
5		2	K1	
6	1465104000	1	SKIRT PROTECTION	
7		4	K1	
8	1465482000	1	HOOK FOR BONNET CLOSING	
9		5	K1	
10		2	K1	
11	1466000000	1	COVER UPPER GREY PKD	
12	1464696000	1	COVER UPPER FOR BATTERY	
13		2	K1	
14		2	K1	
15		2	K1	
16	1464896000	1	LATCH WITH FOLD AWAY	
17		2	K1	
18		1	K1	
19		1	K1	
20		1	K1	
21	1465527000	1	PROTECTION POLY FOR MICROSWITCH	
22		1	K1	
23		2	K1	
K1	1465464000	1	HARDWARE COVERS KIT	[1]
K2	1465920000	1	FIXING COVER KIT	[2]

Part Notes:

- [1] - Not Shown - Included Pos. No 1-3-5-7-9-10-13-14-15-17-18-19-20-22-23
 [2] - NOT SHOWN



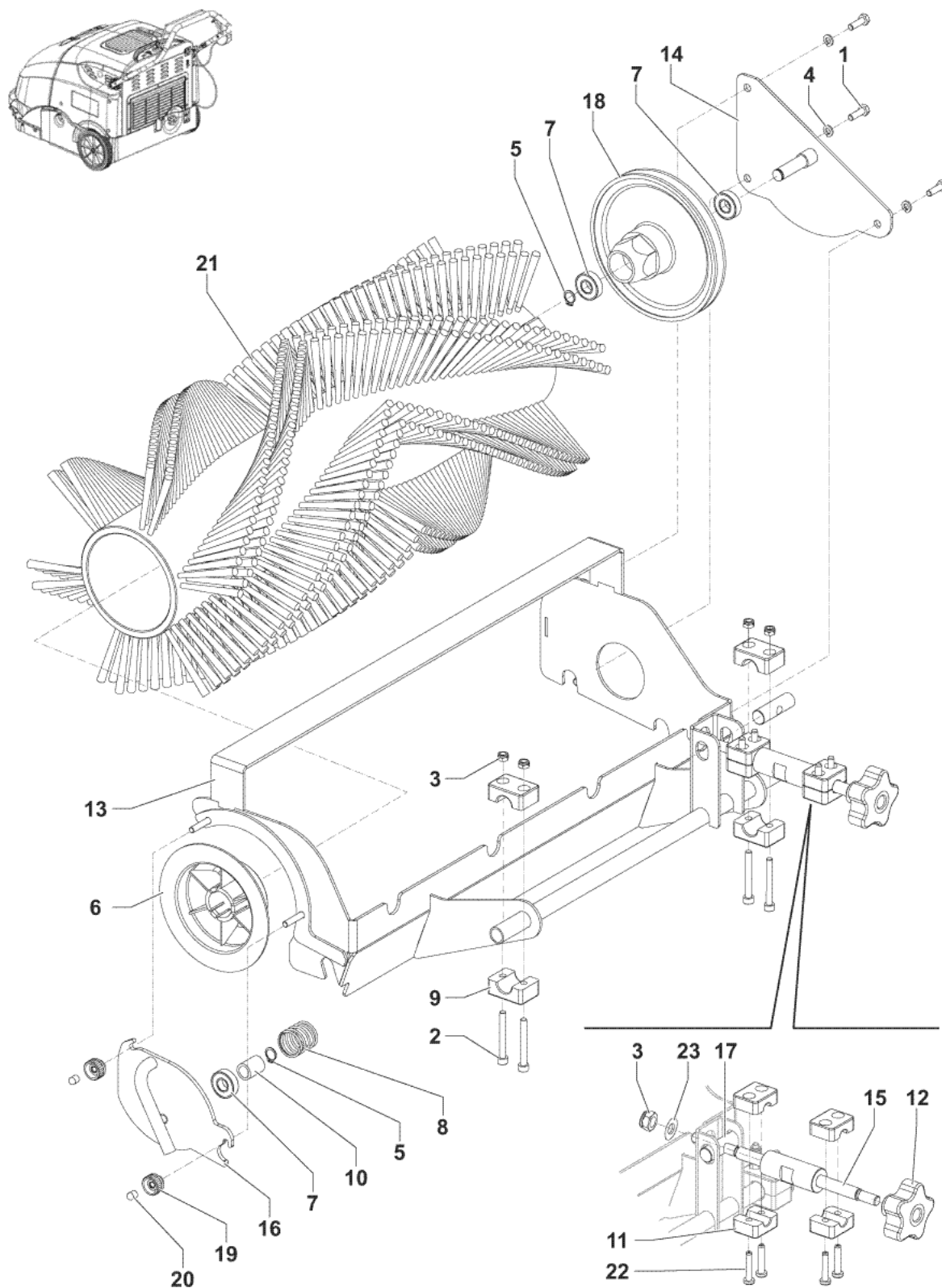
Pos.	Vare-nr	Antal	Beskrivelse	Notes
1	9096951000	1	Timetæller kit, 24 V	
2	1465465000	1	SWITCH KIT	
3	909 5284 000	2	SCREW M3X6 C/SUNK FLAT HD PHIL ISO7046	
4	9100001354	1	SWITCH KEY WITH CAP PKD	
5	146 3073 000	1	BOARD LED	
6	1464765000	1	PANEL CONTROL	
7	1465008000	1	DECAL CONTROL PANEL	



Pos.	Vare-nr	Antal	Beskrivelse	Notes
1		1	K1	
2		6	K1	
3		1	K1	
4		1	K1	
5		1	K1	
6		1	K1	
7	1464673000	1	LEVER HANDLE RELEASE	
8	1464908000	1	CABLE TRACTION	
9	1465017000	1	LEVER RIGHT SIDE BROOM CONTROL	
10	1465222000	1	HANDLE BAR STRAIGHT	
11	1465532000	1	CABLE FOR SIDE BROOM LEVER	
12		4	K1	
13		1	K1	
K1	1465466000	1	HARDWARE HANDLE KIT	[1]

Part Notes:

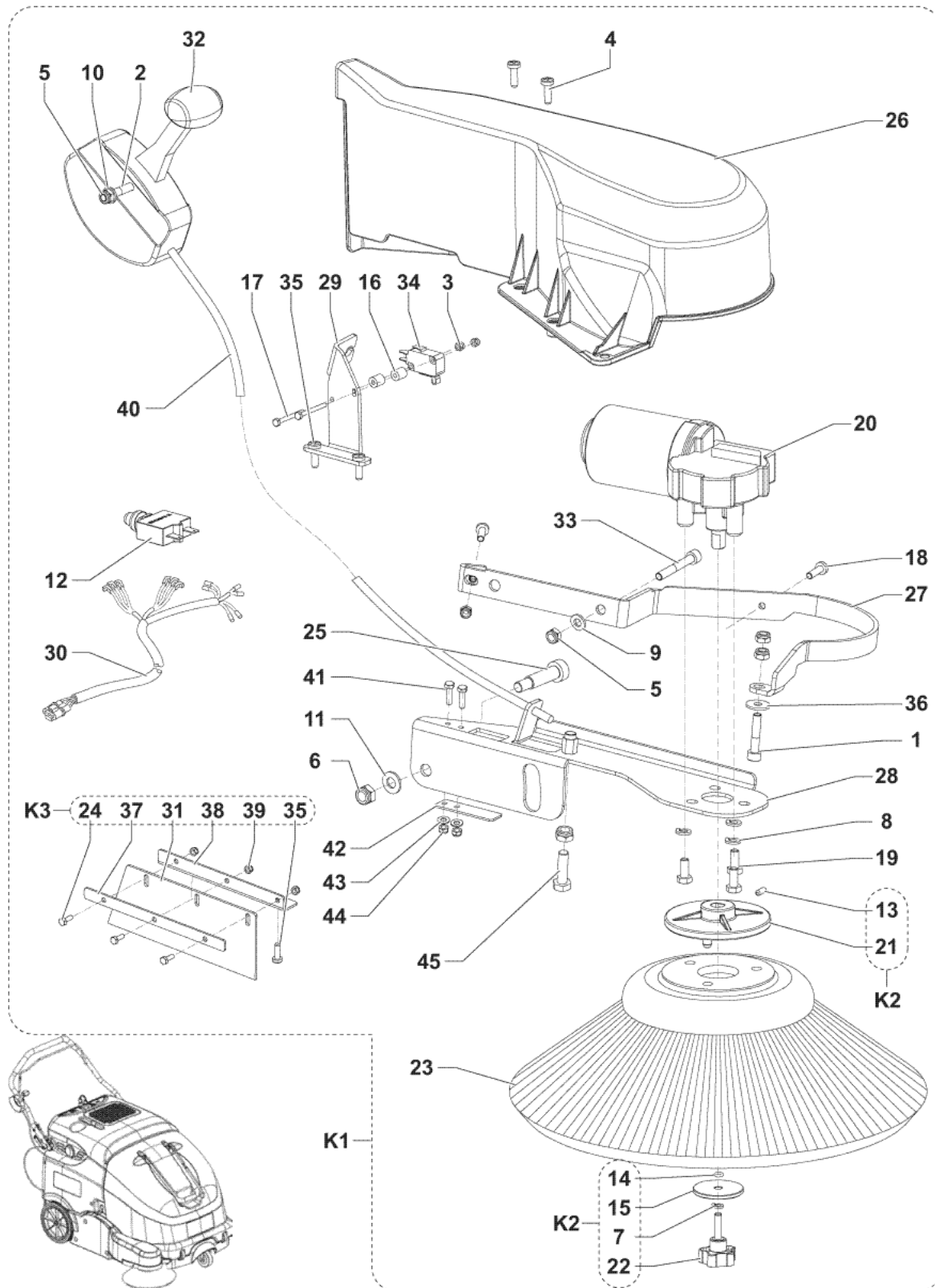
[1] - NOT SHOWN



Pos.	Vare-nr	Antal	Beskrivelse	Notes
1		3	K1	
2		4	K1	
3		5	K1	
4		3	K1	
5		2	K1	
6	1467023000	1	HUB LEFT MAIN BROOM PKD	
7	44905699	3	BEARING BALL 6001 2RS PKD	
8		1	K1	
9		2	K1	
10		1	K1	
11		2	K1	
12	1464476000	1	KNOB LOBES M10 F. W/YELLOW CAP	
13	1465487000	1	SUPPORT MAIN BROOM	
14	1467589000	1	SUPPORT BROOM PULLEY SIP	
15	1464689000	1	SCREW BROOM ADJUSTMENT	
16	1467590000	1	SUPPORT IDLE HUB SIP	
17		1	K1	
18	1464746000	1	PULLEY MAIN BROOM	
19	1464885000	2	KNOB M6 D.20 PLASTIC	
20		2	K1	
21	1465215000	1	Fejevalse PPL (265 x 600) 0,8-0,5	
21	1466493000	1	BROOM MAIN 265X620 10R PPL 0.3-0.5 PKD	[1]
21*	1465216000	1	Fejevalse Mix 5 (265 x 600)	[2]
21*	146 0750 000	1	Fejevalse stålmix	[2]
22		4	K1	
23		1	K1	
K1	1465470000	1	HARDWARE MAIN BROOM KIT	[3]

Part Notes:

- [1] - STARTING MACHINE S.No 3810152500016 - SEE TSB-FC-2015-014
DE TSB-FC-2015-014 SW900 Floortec 760 neue Schürzen
- [2] - OPTION
- [3] - NOT SHOWN



LEFT BROOM (OPTIONAL)

SW900 B NIL

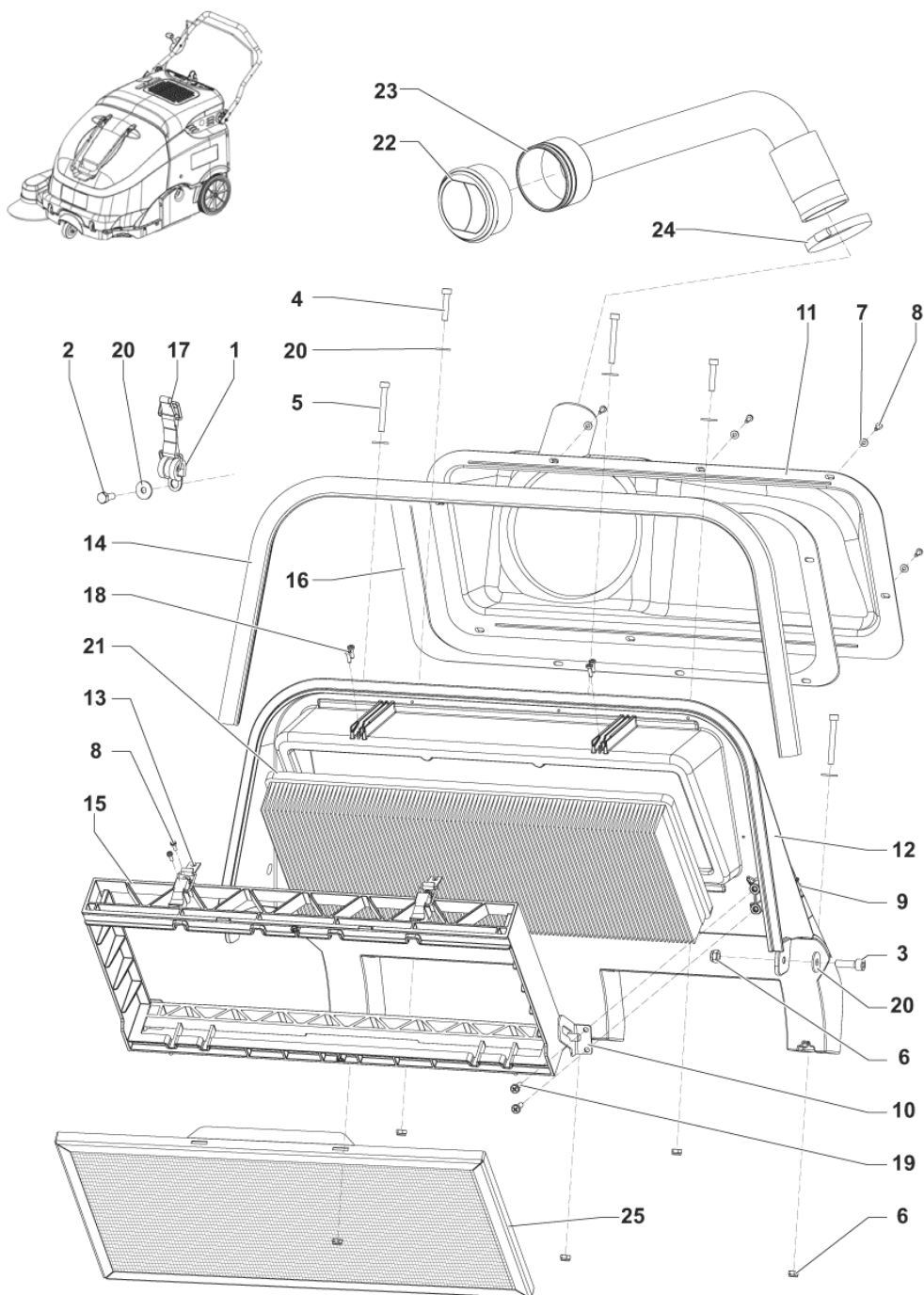
2015.05.19

2016.03.01

Pos.	Vare-nr	Antal	Beskrivelse	Notes
1		1	K4	
2		1	K4	
3		2	K4	
4		2	K4	
5		4	K4	
6		2	K4	
7		1	K2	
8		3	K4	
9		1	K4	
10		2	K4	
11		1	K4	
12	1465605000	1	CIRCUIT BREAKER 5A KIT	
13		1	K2	
14		1	K2	
15		1	K2	
16		2	K4	
17		2	K4	
18		2	K4	
19		3	K4	
20	1465999000	1	REDUCTION GEARMOTOR 40W 12V PKD	
21		1	K2	
22		1	K2	
23	146 3035 000	1	Sidekost standard	
23*	146 3036 000	1	Sidekost nylon til tæpper	
24		3	K3	
25		1	K4	
26	1464676000	1	COVER LEFT SIDE BROOM	
27	1465498000	1	BUMPER LEFT BROOM	
28	1465012000	1	SUPPORT LEFT SIDE BROOM	
29	1465014000	1	SUPPORT LEFT SIDE BROOM SWITCH	
30	1465142000	1	HARNES LEFT BROOM	
31		1	K3	
32	1465183000	1	LEVER LEFT SIDE BROOM CONTROL	
33		1	K4	
34	9100000792	1	MICROSWITCH 16A 250V PKD	
35		4	K3-K4	
36		2	K4	
37		1	K3	
38		1	K3	
39		3	K3	
40	1465532000	1	CABLE FOR SIDE BROOM LEVER	
41		2	K4	
42		1	K4	
43		2	K4	
44		2	K4	
45		1	K4	
K1*	1465408000	1	Sidekost kit venstre	[1]
K1*	1466497000	1	BROOM LEFT SIDE PPL W/RECYCLING KIT	[2]
K2	1463865000	1	Monteringsplade	
K3	1465595000	1	SKIRTS RECYCLING KIT	[3]
K3	1466489000	1	SKIRT RECYCLING LT SIDE KIT	[4]
K4	1465471000	1	HARDWARE SIDE BROOM KIT	[5]

Part Notes:

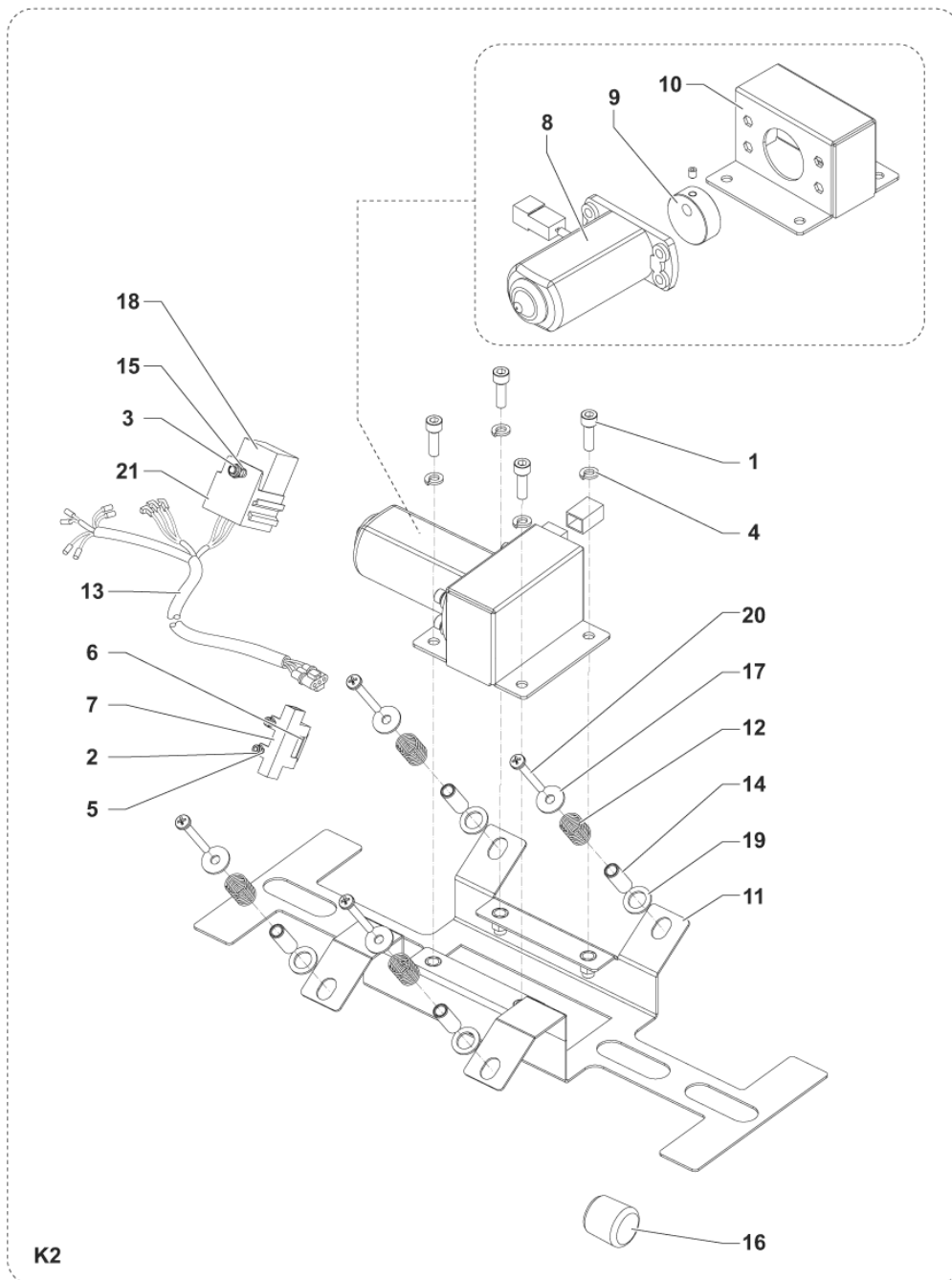
- [1] - OPTIONAL - INSTALLATION INSTRUCTION REF. 1465407000
- [2] - STARTING MACHINE S.No 3810152500016 - SEE TSB-FC-2015-014- INST. INSTR. 1466499000
- [3] - UNTIL MACHINE S.No 3810152500015
- [4] - STARTING MACHINE S.No 3810152500016 - SEE TSB-FC-2015-014- INST. INSTR. 1466485000
- [5] - NOT SHOWN



Pos.	Vare-nr	Antal	Beskrivelse	Notes
1	33003435	1	DOUBLE COLLAR D5	
2		1	K1	
3		2	K1	
4		2	K1	
5		3	K1	
6		8	K1	
7		8	K1	
8		12	K1	
9		2	K1	
10		2	K1	
11		1	K1	
12		1	K1	
13	1464884000	2	LOCK LEVER	
14	1465610000	1	GASKET BULB REINFORCED L.1070MM PKD	
15	1465146000	1	Ramme til panelfilter	
16	1465517000	1	GASKET FOR CONVEYOR	
17	1465525000	1	LATCH RUBBER	
18		4	K1	
19		4	K1	
20		9	K1	
21	1464691000	1	Panelfilter polyester	
21*	1464902000	1	Panelfilter papir	[1]
22	33010103	1	DIFFUSER AIR	
23	1464887000	1	HOSE WET BY-PASS	
24	9100001348	1	CLAMP 14/32-52 10 PCS SET	
25*	1465018000	1	For-filter	[1]
K1	1465472000	1	SUPPORT FILTER KIT	[2]

Part Notes:

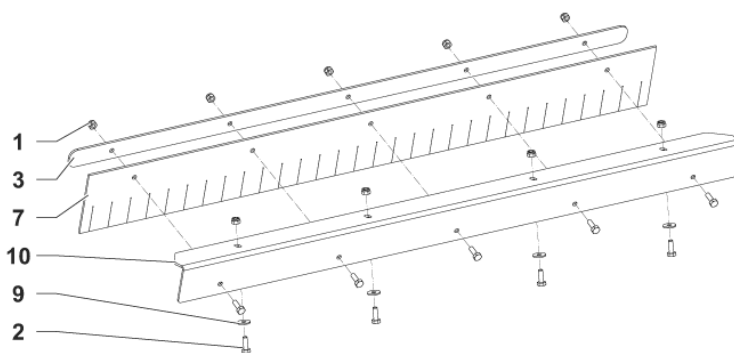
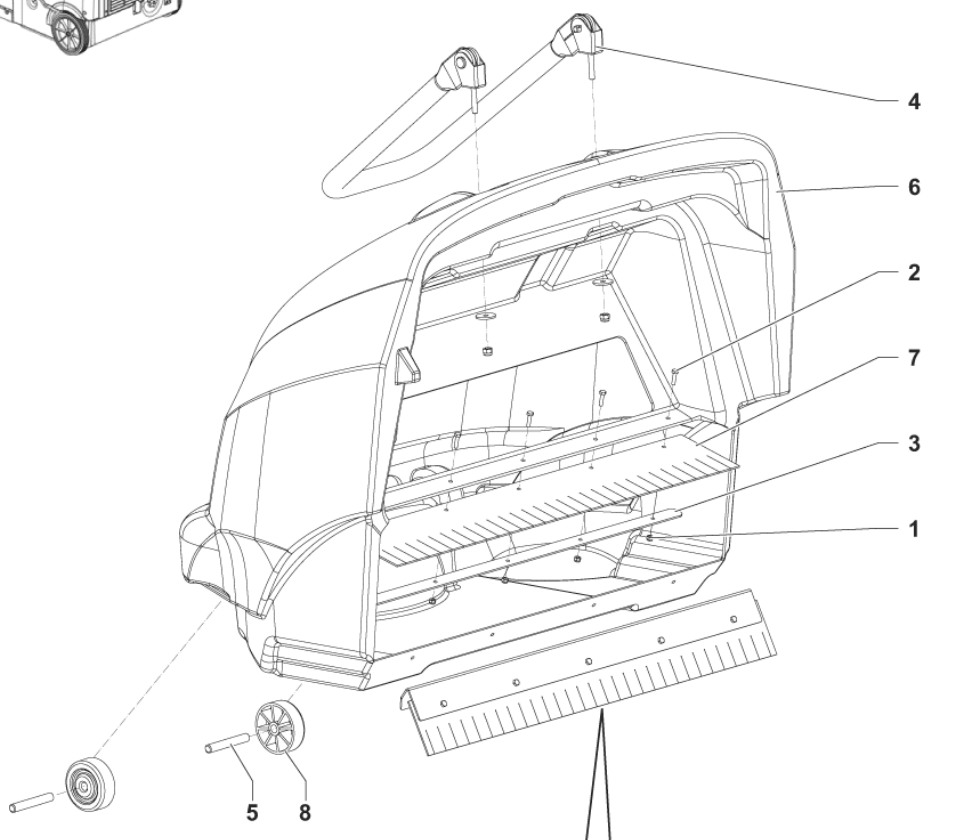
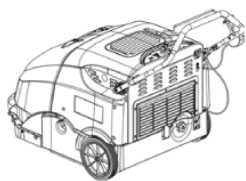
- [1] - OPTION
- [2] - NOT SHOWN



Pos.	Vare-nr	Antal	Beskrivelse	Notes
1		4	K1	
2		2	K1	
3		1	K1	
4		4	K1	
5		2	K1	
6	145 9852 000	1	Sikring 5A	
7	1467035000	1	HOLDER FUSE THERMOPL.UL 94-V0 SIP	
8	146 0527 000	1	Motor Til Filtrerryster Sw700-850	
9	1466857000	1	CAM F FILTER SHAKER KIT	
10	1466335000	1	BRACKET FILTER SHAKER SIP	
11		1	K1	
12		4	K1	
13	1465143000	1	HARNESSE FILTER SHAKER	
14		4	K1	
15		1	K1	
16		1	K1	
17		4	K1	
18	9098441000	1	Relæ 12 Volt	
19		4	K1	
20		4	K1	
21	33009104	1	RELAY SUPPORT	
K1	1465473000	1	HARDWARE EL. FILTER SHAKER KIT	[1]
K2	1465474000	1	Elektrisk filtrerryster kit	

Part Notes:

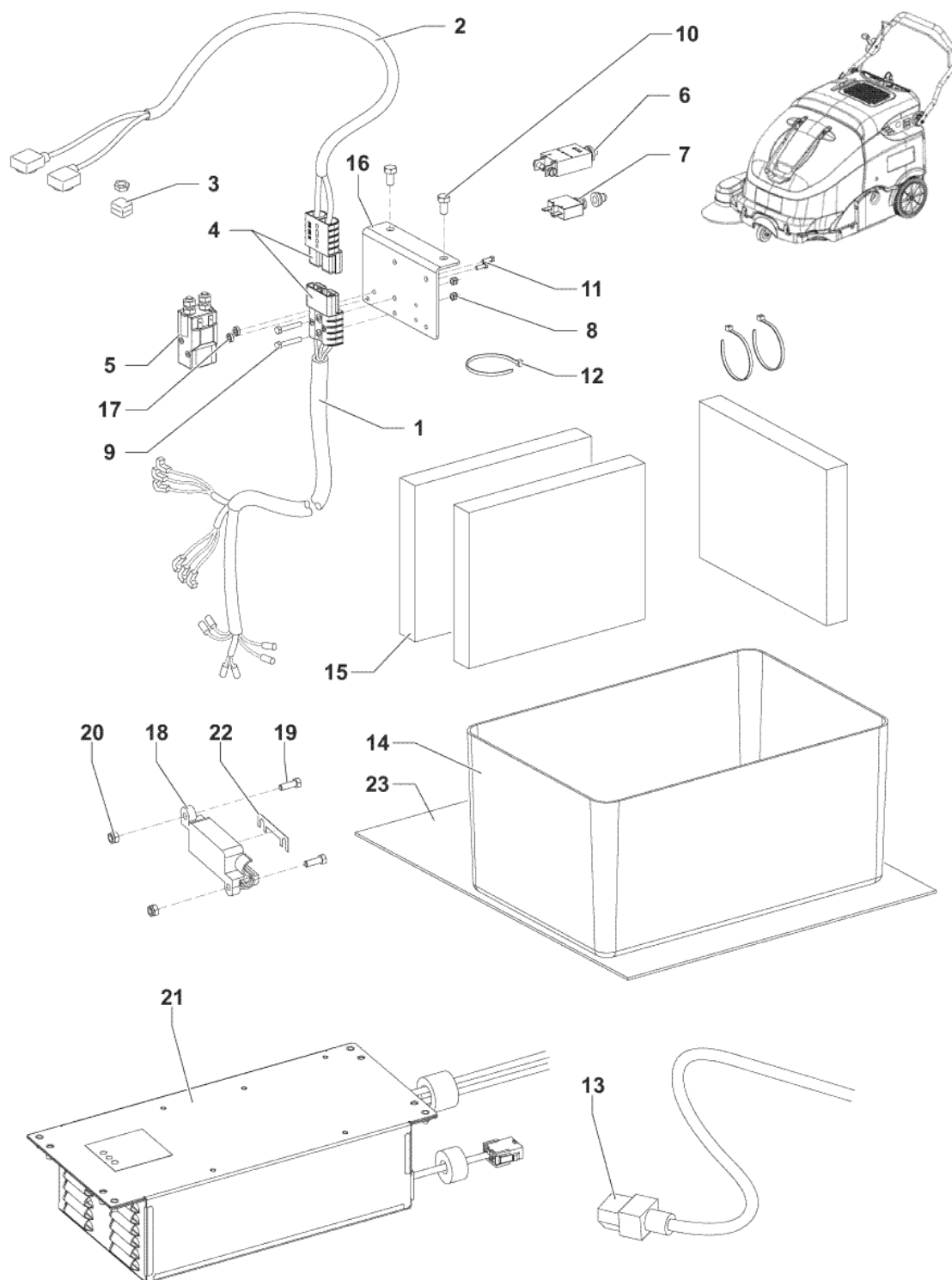
[1] - NOT SHOWN



Pos.	Vare-nr	Antal	Beskrivelse	Notes
1		14	K1	
2		14	K1	
3		2	K1	
4	1465477000	1	HANDLE WASTE CONTAINER KIT	
5	1464997000	2	PIN D.9.5X70	
6	1465016000	1	CONTAINER WASTE	
7	1465476000	1	SKIRTS WASTE CONTAINER KIT	
8	L08602460	2	Wheel	
9		9	K1	
10		1	K1	
K1	1465475000	1	HARDWARE WASTE CONTAINER KIT	[1]

Part Notes:

[1] - NOT SHOWN



Pos.	Vare-nr	Antal	Beskrivelse	Notes
1	1465496000	1	HARNESS MACHINE B W/EL. SHAKER VERSION	
2	1464992000	1	HARNESS BATTERY	[1]
2	1467652000	1	HARNESS BATTERY UL SIP	[2]
3	9099756000	1	FUSE 125A	
4	146 0747 000	2	CONNECTOR 120A GREY	
5	1464904000	1	SWITCH ELECTROMAGNETIC 12V 100A	
6	1465606000	1	CIRCUIT BREAKER 70A KIT	
7	1465605000	1	CIRCUIT BREAKER 5A KIT	
8		2	K1	
9		2	K1	
10		2	K1	
11		2	K1	
12		3	K1	
13	9100001758	1	CABLE EXTENS. EU L 2200MM W/FERRITE KIT	
14	145 5252 000	1	CONTAINER BATTERY	
15	146 0668 000	3	PANEL INSULATING	
16	1464698000	1	SUPPORT RELAIS AND FUSES	
17		2	K1	
18	145 8046 000	1	Säkeringshållare	
19		2	K1	
20		2	K1	
21	1466519000	1	Indbygget oplader 12V 25A	
22	1465102000	1	FUSE STRIP 30A	
23	1465500000	1	RUBBER PROTECTION CHARGER	
K1	1465478000	1	HARDWARE ELECTRICAL SYSTEM KIT	[3]

Part Notes:

- [1] - EU MODEL
 [2] - US MODEL
 [3] - NOT SHOWN,
 Pos. 8-12,17,19,20

RECOMMENDED SPARE PARTS

SW900 B NIL

2015.05.19

2017.07.03

Pos.	Vare-nr	Antal	Beskrivelse	Notes
NW	1465215000	1	Fejevalse PPL (265 x 600) 0,8-0,5	
NW	1465463000	1	SKIRTS KIT	
NW	146 3035 000	1	Sidekost standard	
OM	1465610000	1	GASKET BULB REINFORCED L.1070MM PKD	
OM	1464691000	1	Panelfilter polyester	
OM	1464744000	1	MOTOR ELECTRIC 12V 680W	
OM	1464433000	1	Brush Carbon Kit 4Pcs	
OM	1467644000	1	BELT V COGGED XPZ 912 SIP	
OM	1467643000	1	BELT V COGGED XPZ 1162 SIP	
OM	44905699	3	BEARING BALL 6001 2RS PKD	
OM	909 6602 000	1	WHEEL CASTOR	
OM	1465999000	1	REDUCTION GEARMOTOR 40W 12V PKD	
OM	1464908000	1	CABLE TRACTION	
EM	1465146000	1	Ramme til panelfilter	
EM	1464884000	2	LOCK LEVER	
EM	1464725000	1	REDUCTION GEAR COMPLETE	
EM	1466521000	1	GEAR SPUR PLASTIC 150P 50T PKD	
EM	1466522000	1	GEAR SPUR PLASTIC 42P 14T PKD	
EM	145 1123 000	3	Kullager, Aw 400-Serien	
EM	1464719000	2	SPRING TORSION 2.8X24	
EM	1464476000	1	KNOB LOBES M10 F. W/YELLOW CAP	
EM	9100000792	1	MICROSWITCH 16A 250V PKD	
EM	1466506000	1	MICROSWITCH 10A 250V PKD	
EM	1465017000	1	LEVER RIGHT SIDE BROOM CONTROL	
EM	1465532000	1	CABLE FOR SIDE BROOM LEVER	

Pos.	Vare-nr	Antal	Beskrivelse	Notes
	80563211	2	Batteri 6V 175A WET rørcelle monoblok	
	80564600	1	Batteri 12V 110A WET rørcelle monoblok	
	80564000	2	Batteri 6V 180A GEL monoblok	
	80564400	1	Batteri 12V 105A GEL monoblok	
	1465541000	1	Sværtefrit sideskørt kit	
	1465216000	1	Fejevalse Mix 5 (265 x 600)	
	146 0750 000	1	Fejevalse stålmix	
	146 3036 000	1	Sidekost nylon til tæpper	
	1465408000	1	Sidekost kit venstre	
	1464902000	1	Panelfilter papir	
	1465018000	1	For-filter	
	1465480000	1	Filterryster manuel kit	

