

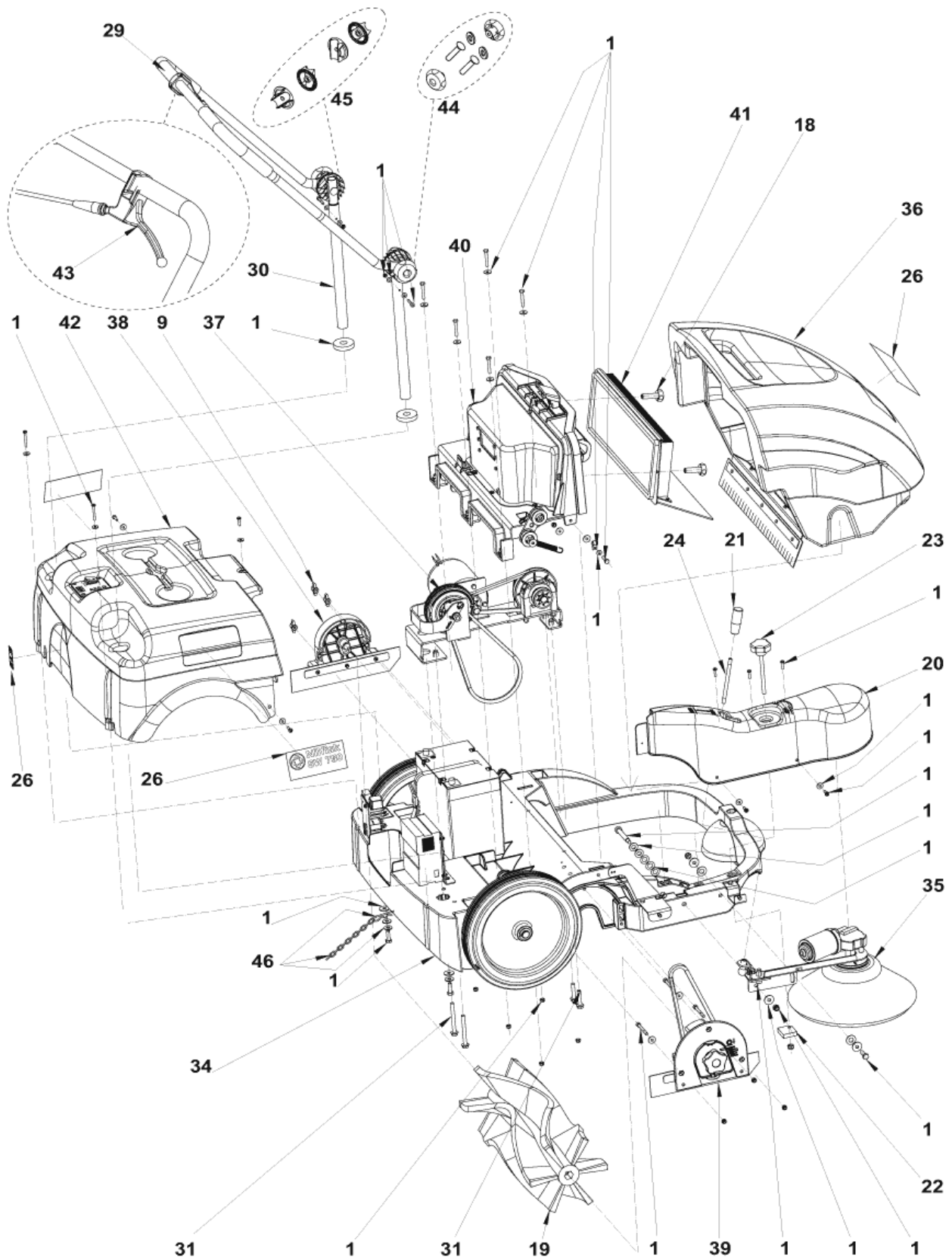
PARTS LIST



2017.08.01

TABLE OF CONTENTS

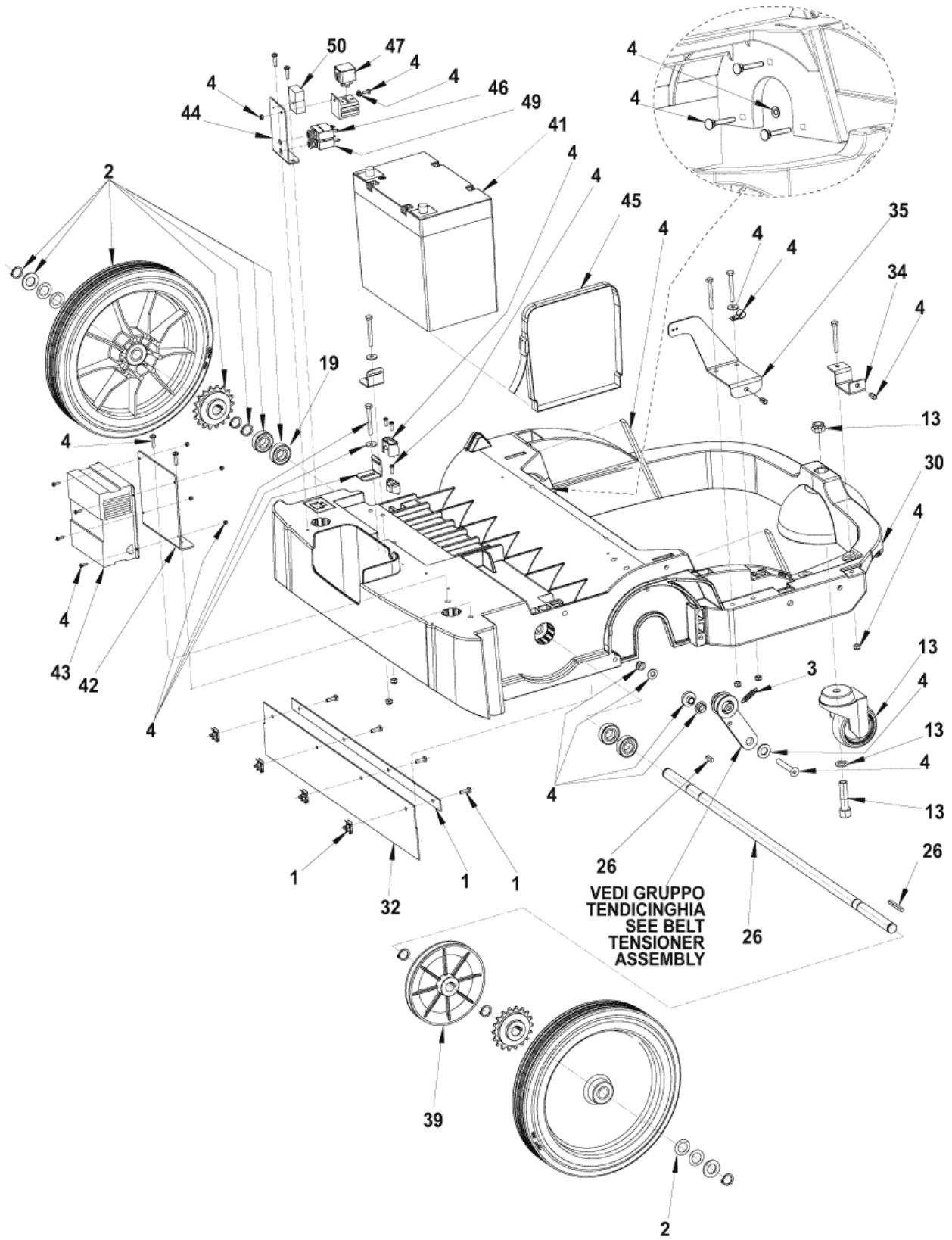
General view	1
Chassis system	3
Side broom assembly	5
Hopper system	7
Transmission system	9
Left and right hatch assembly	11
Belt tensioner assemblies	13
Dust control system	15
VAKUUMSYSTEM	17
Control panel assembly	19
Wiring diagram	21
Recommended spare parts	23



Pos.	Vare-nr	Antal	Beskrivelse	Notes
1	1463858000	1	GENERAL HARDWARE KIT	
9	909 6356 000	1	Vingemøtrik-Sæt (2 Stk.)	
18	146 2991 000	2	Fingermøtrik, M6	
19	146 3016 000	1	Fejevalse til tæpper/naturfiber	
19	1463174000	1	Fejevalse standard	
20	1466781000	1	CRANKCASE SIDE BROOM GREY SIP	
21	146 3037 000	1	HANDLE LEVER	
22	146 3038 000	1	ADJUSTER BLOCK F. BROOM	
23	146 3039 000	1	KNOB M8X110	
24	146 3040 000	1	LEVER SIDE BROOM	
26	1463979000	1	DECALS SW750 KIT	
29	146 3066 000	1	HANDLE BAR	
30	1466965000	1	BAR F HANDLE 2 PCS SET	
31	1463868000	1	HARDWARE TRANSMISSION SYST KIT	
34		1	Chassis system	[1]
35		1	Side broom ass.	[2]
36		1	Hopper system	[3]
37		1	Transmission system	[4]
38		1	Left hatch ass.	[5]
39		1	Right hatch ass.	[5]
40		1	Dust control system	[6]
41		1	Filter ass.	[7]
42		1	Control panel ass.	[8]
43	146 3068 000	1	Håndbremse M. Kabel	
44	1463859000	1	Monteringssæt-Sæt	
45	909 5099 000	1	Justeringssskrue Kit	
46	1463260000	1	CHAIN KIT	
47	1463171000	1	Tæppe kit	[9]

Part Notes:

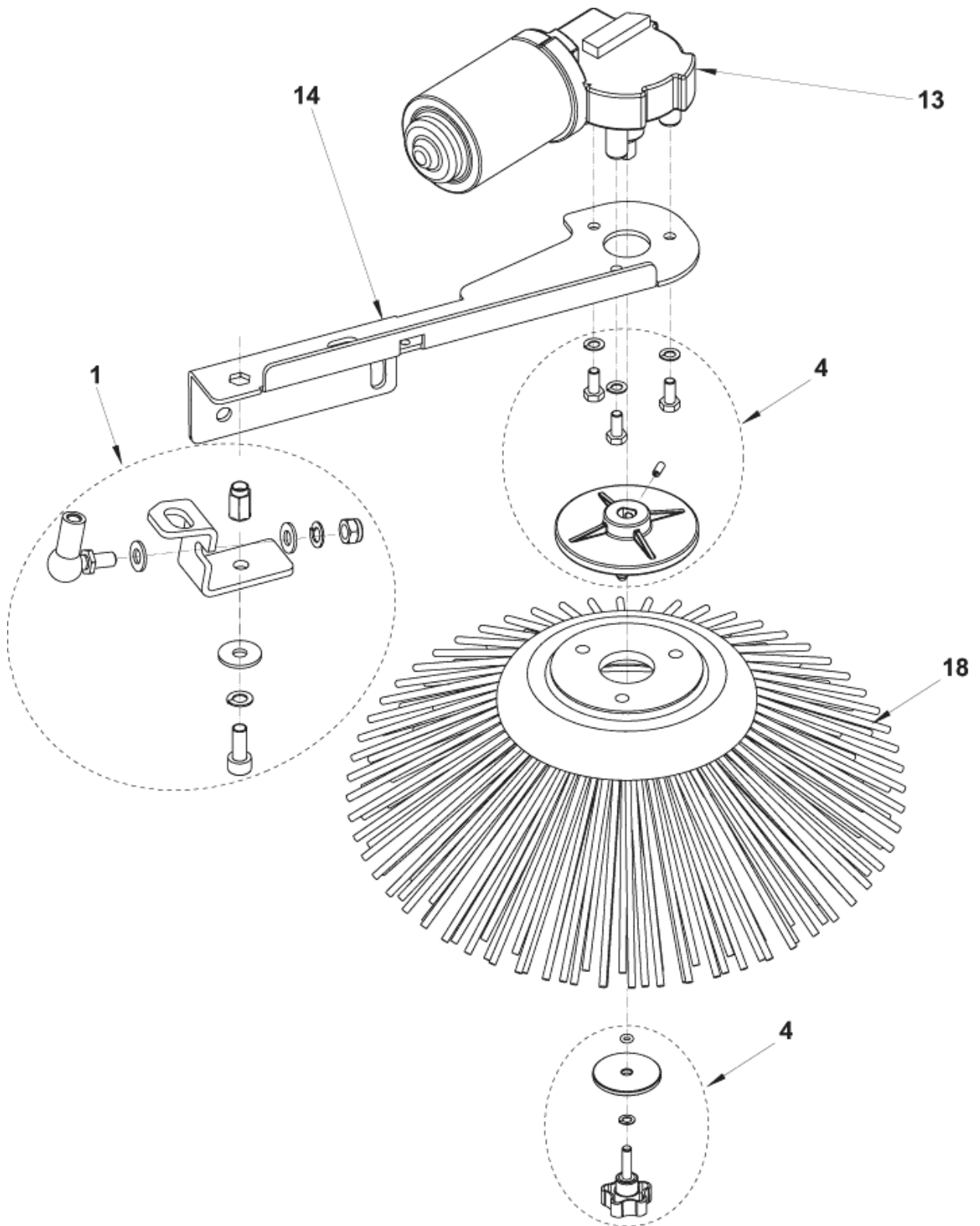
- [1] - Chassis system
- [2] - Side broom assembly
- [3] - Hopper system
- [4] - Transmission system
- [5] - Left and right hatch assembly
- [6] - Dust control system
- [7] - Vacuum system
- [8] - Control panel assembly
- [9] - NOT SHOWN - OPTIONAL



Pos.	Vare-nr	Antal	Beskrivelse	Notes
1	146 3124 000	1	Gummi Skørt & Plade Kit	
2	1463860000	2	Wheel Black Kit	
3	145 8925 000	1	SPRING	
4	1463861000	1	HARDWARE CHASSIS SYSTEM KIT	
13	1463862000	1	Wheel Castor Kit	
19	1467030000	4	BEARING BALL 6003 2RS SIP	
26	1463863000	1	SHAFT WHEELS KIT	
30	1466783000	1	CHASSIS SIP	
32	1463166000	1	Sideskørt kit, standard	
34	146 2983 000	1	BRACKET CARTER FIXING	
35	146 2984 000	1	BRACKET CARTER FIXING	
39	146 2998 000	1	Pulley D.140	
41	1464483000	1	Batteri 12V 49A AGM monoblok	[1]
41	1464853000	1	Batteri 12V 87A AGM monoblok	[1]
42	146 3050 000	1	BRACKET BAT.CHARGER FIX	
43	146 3051 000	1	Indbygget oplader 12V 6A	
44	146 3053 000	1	SUPPORT ELECTRONIC COMP.	
45	146 3054 000	1	Bælte til fastgørelse af batteri	
46	146 3090 000	1	CIRCUIT BREAKER 5A	
47	146 3113 000	1	Relæ, 12V 70 A Tyco	
49	909 5706 000	1	Sikring 30A	
50	909 6341 000	1	HOLDER FUSE	
51	146 3052 000	1	HARNES MACHINE	[2]
52	1463167000	1	Sværefrit skørt kit (side, bag, for)	[3]
53	9100000790	1	CABLE EXTENSION EU PLUG L.1000MM PKD	[2]
54	9096914000	1	Cable Extension Us Plug	[2]
55	1466318000	1	CABLE EXTENSION UK PLUG L.2000MM SIP	[2]
56	1467596000	1	FUSE BLADE 7.5A SIP	[2]
57	1463201000	1	BATTERY CLAMPS POS.-NEG.KIT	[3]

Part Notes:

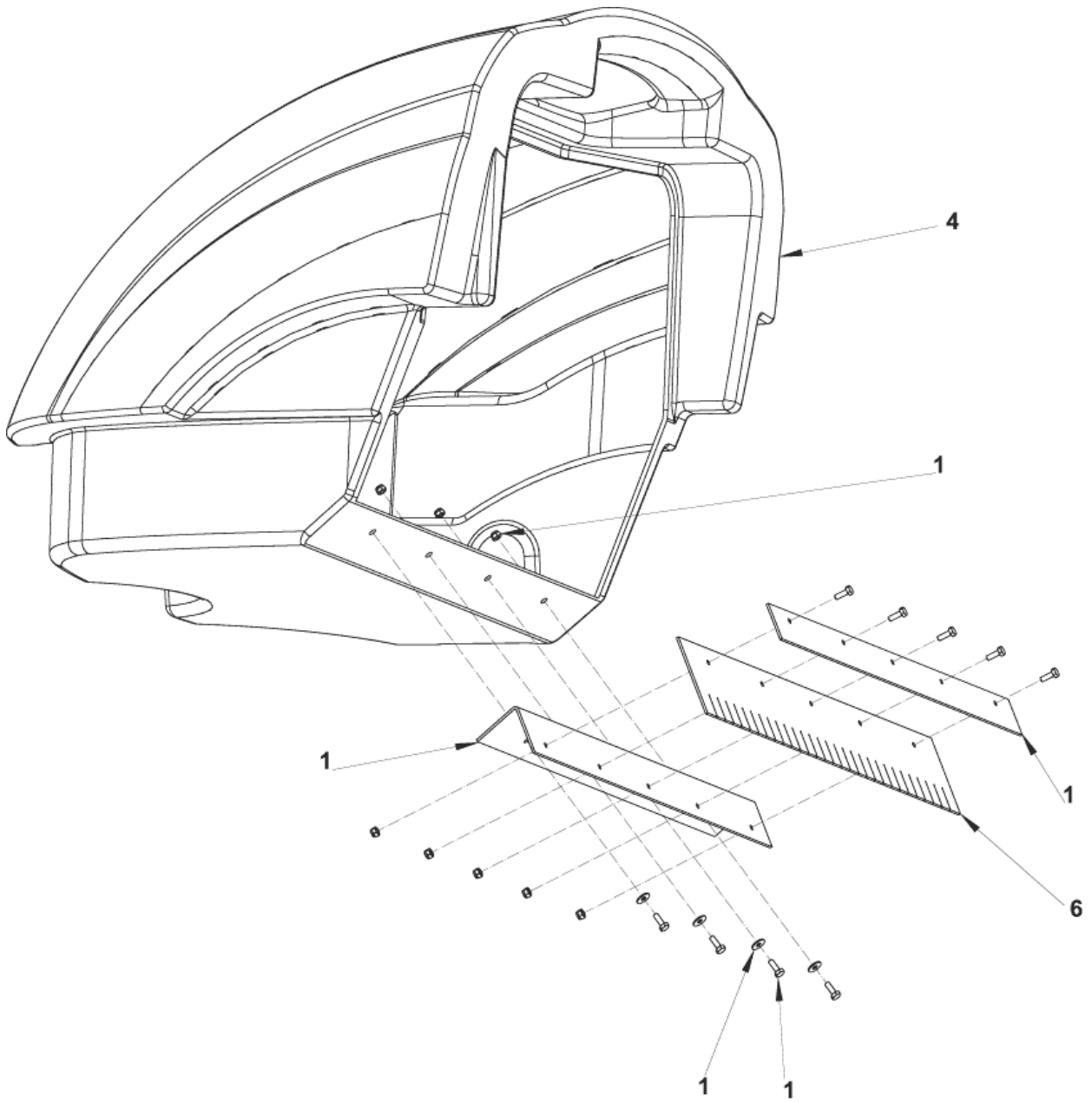
- [1] - OPTIONAL - SEE TSB IT 2010-058
 [2] - NOT SHOWN
 [3] - NOT SHOWN - OPTIONAL



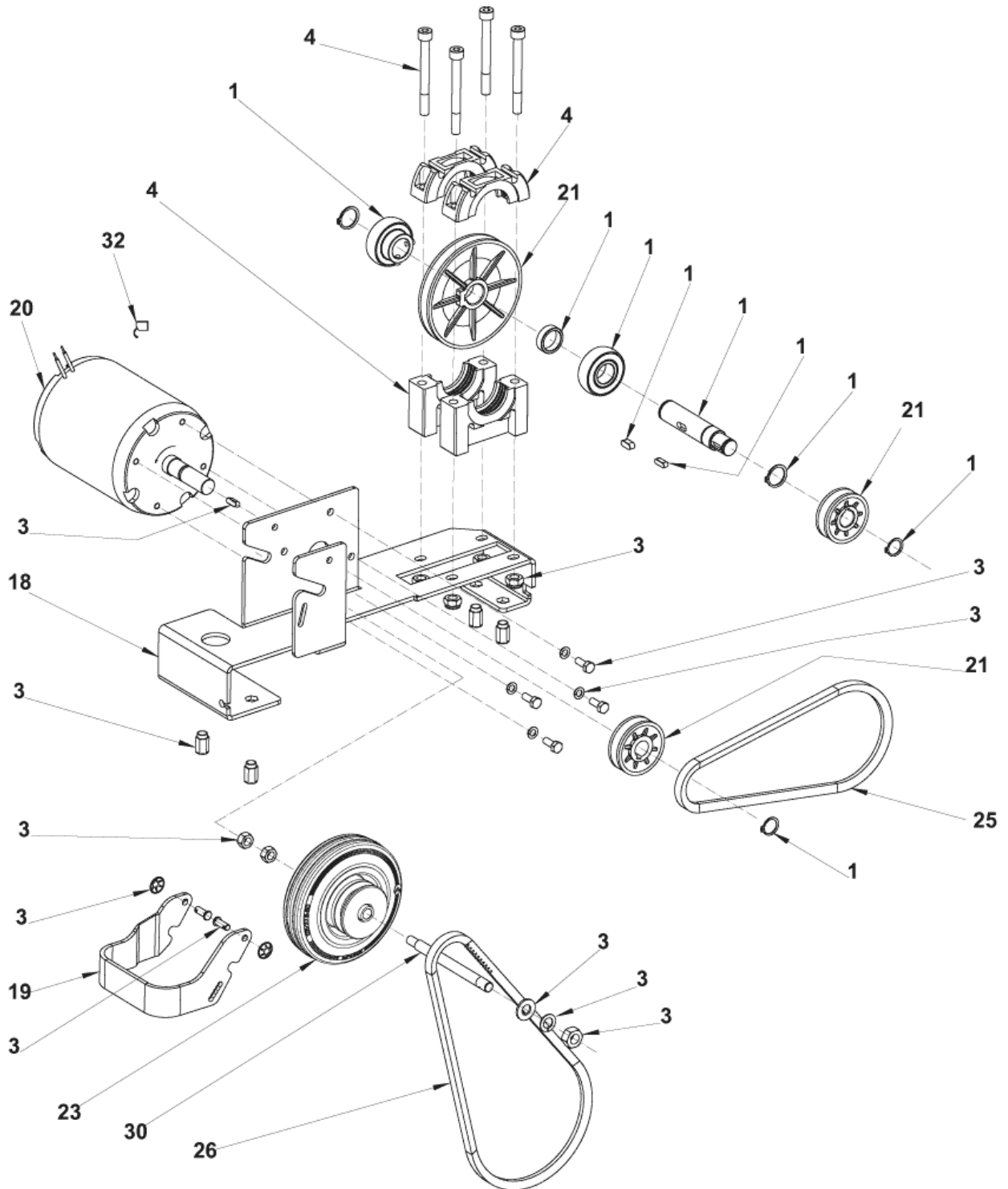
Pos.	Vare-nr	Antal	Beskrivelse	Notes
1	1463864000	1	HARDWARE SIDE BROOM KIT	
4	1463865000	1	Monteringsplade	
13	1465999000	1	REDUCTION GEARMOTOR 40W 12V PKD	
14	146 3029 000	1	SUPPORT SIDE BROOM	
18	146 3035 000	1	Sidekost standard	
18	146 3036 000	1	Sidekost nylon til tæpper	[1]

Part Notes:

[1] - ACCESSORY

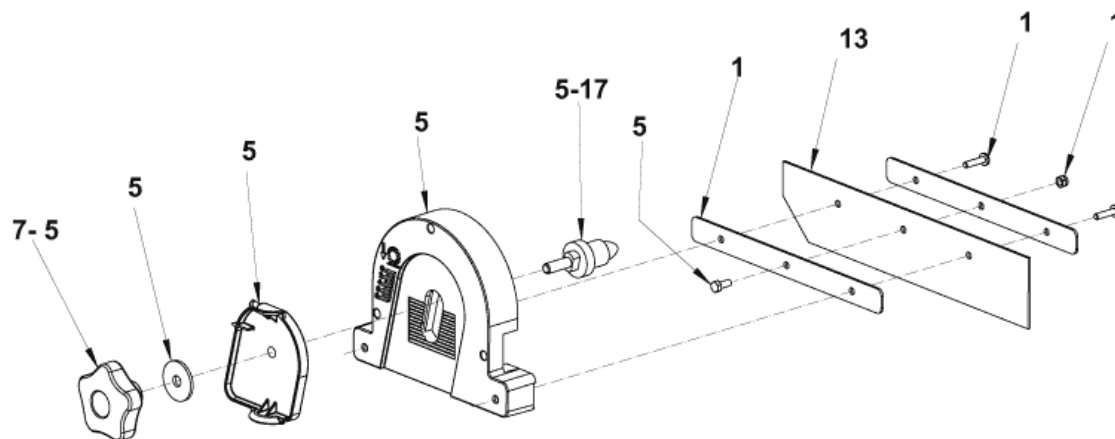


Pos.	Vare-nr	Antal	Beskrivelse	Notes
1	146 3124 000	1	Gummi Skørt & Plade Kit	
4	146 3042 000	1	Skidtkasse Sw 750	
6	1463166000	1	Sideskørt kit, standard	

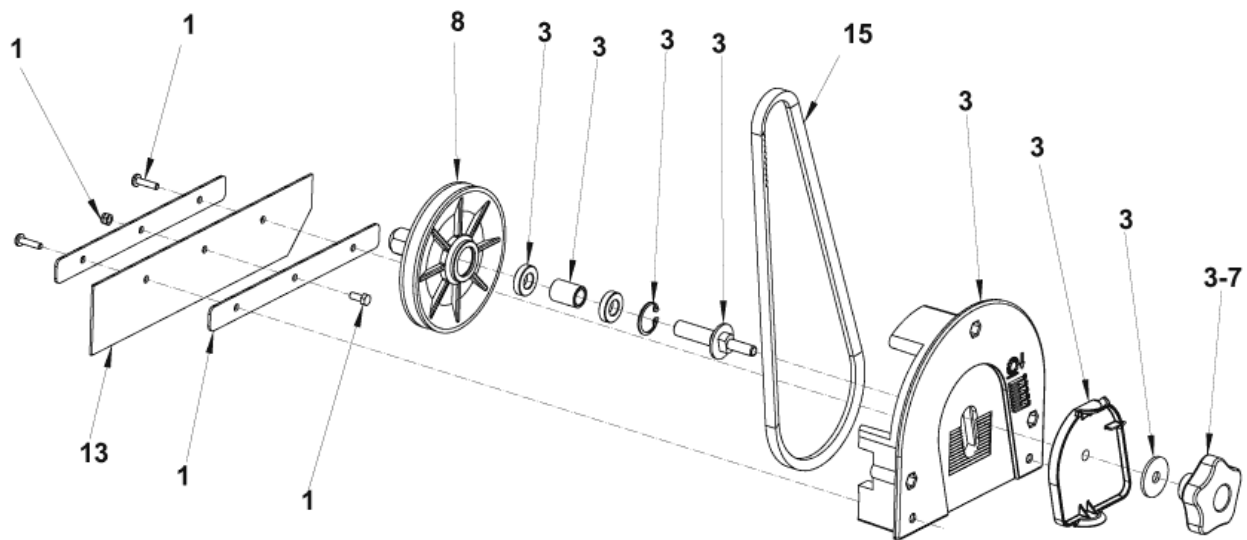


Pos.	Vare-nr	Antal	Beskrivelse	Notes
1	1463867000	1	Shaft Pulleys Kit	
3	1463868000	1	HARDWARE TRANSMISSION SYST KIT	
4	1463866000	1	Bearing Supports Kit	
18	146 3000 000	1	PLATE MOTOR SUPPORT	
19	146 3002 000	1	BRACKET CLUTCH WHEEL	
20	1465998000	1	MOTOR ELECTRIC 200W 12V PKD	
21	1463869000	1	Remskive-Sæt	
23	1467647000	1	WHEEL DRIVE CLUTCH KIT	
25	1463305000	1	Rem	
26	1464045000	1	Rem-Sæt	
30	146 3013 000	1	SHAFT DRIVE CLUTCH WHEEL	
32	909 6893 000	1	Carbon Brush Kit -4Pcs-	

ASSIEME PORTELLO SINISTRO - LEFT HATCH ASSEMBLY

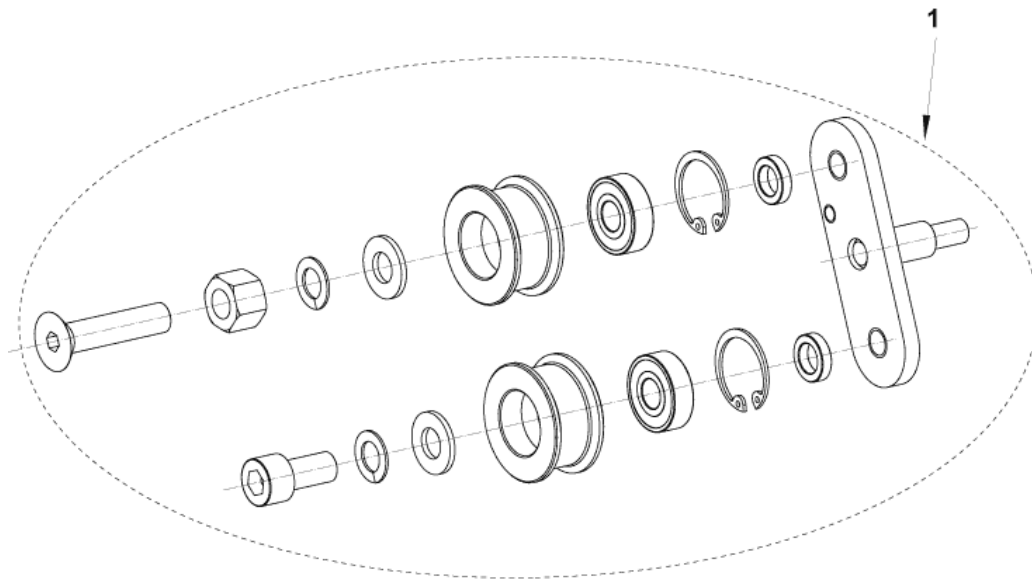


ASSIEME PORTELLO DESTRO - RIGHT HATCH ASSEMBLY

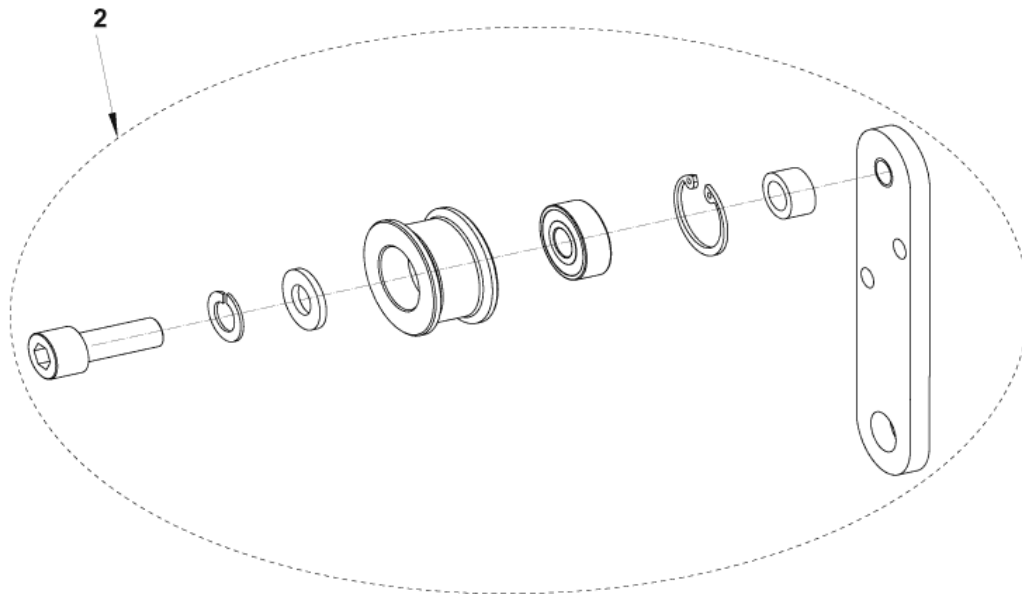


Pos.	Vare-nr	Antal	Beskrivelse	Notes
1	146 3124 000	1	Gummi Skørt & Plade Kit	
3	1463870000	1	Hatch Right Fixing Kit	
5	1463871000	1	Holder For Sidebørste (V)	
7	146 1852 000	2	Knob M8	
8	146 3014 000	1	Remskive, D 112	
13	1463166000	1	Sideskørt kit, standard	
15	146 3027 000	1	Rem	
17	146 3020 000	1	Stift	

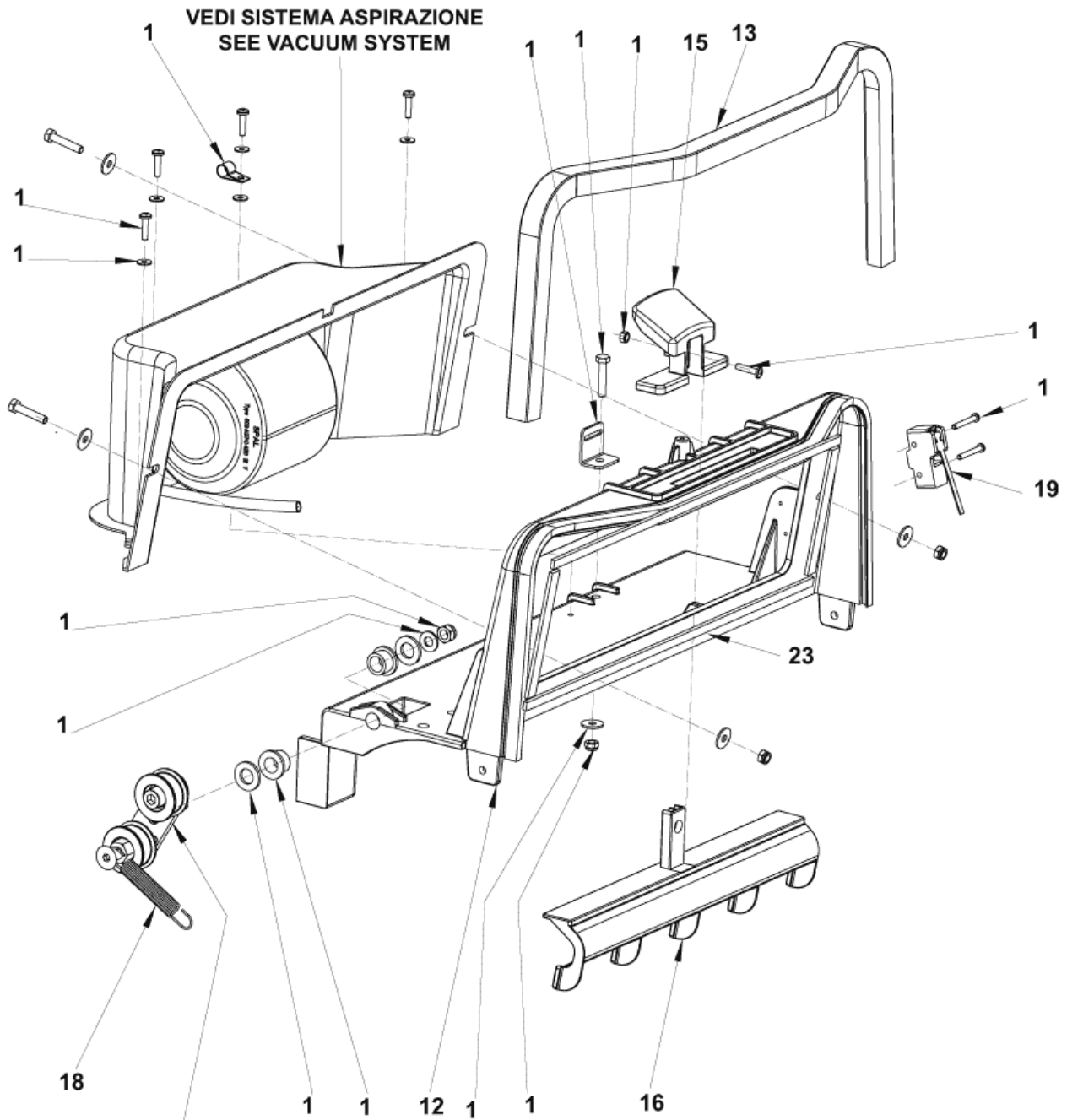
GRUPPO TENDICINGHIA DOPPIO - DOUBLE BELT TENSIONER ASSEMBLY



GRUPPO TENDICINGHIA - BELT TENSIONER ASSEMBLY

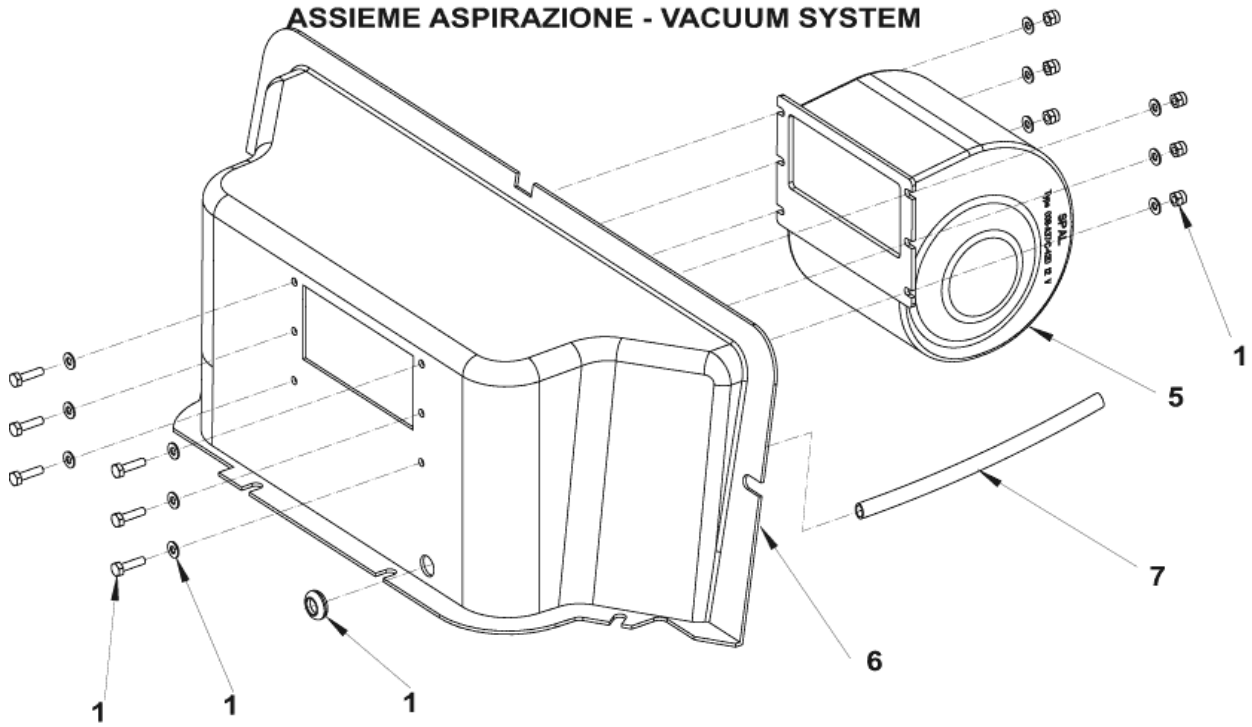


Pos.	Vare-nr	Antal	Beskrivelse	Notes
1	1463872000	1	BELT TENSIONER DOUBLE KIT	
2	1463873000	1	BELT TENSIONER KIT	

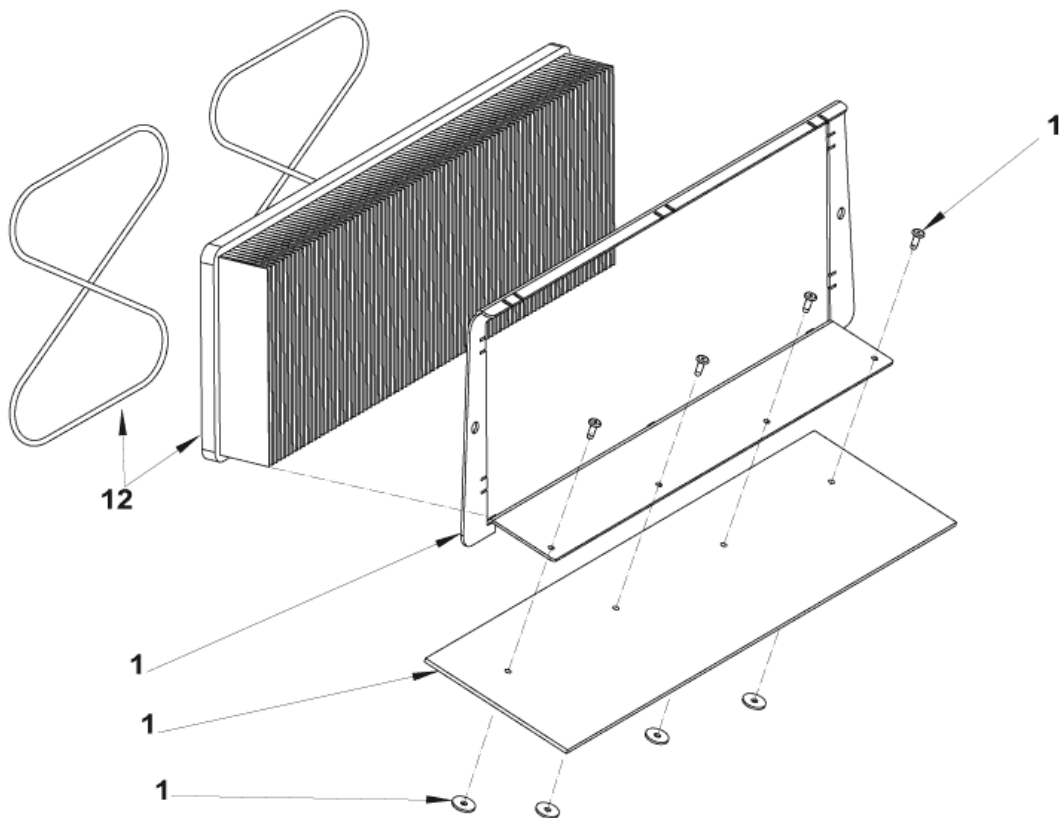


Pos.	Vare-nr	Antal	Beskrivelse	Notes
1	1463874000	1	Hardware Kit	
12	146 2988 000	1	Pakning Til Filter	
13	1463747000	1	GASKET EXTRUDED L.845MM	
15	146 2992 000	1	Håndtag For Filterryster	
16	146 2993 000	1	Håndtag For Filter Ryster	
18	145 0274 000	1	Fjeder	
19	1466506000	1	MICROSWITCH 10A 250V PKD	
23	1463176000	2	Pakning Sw750	

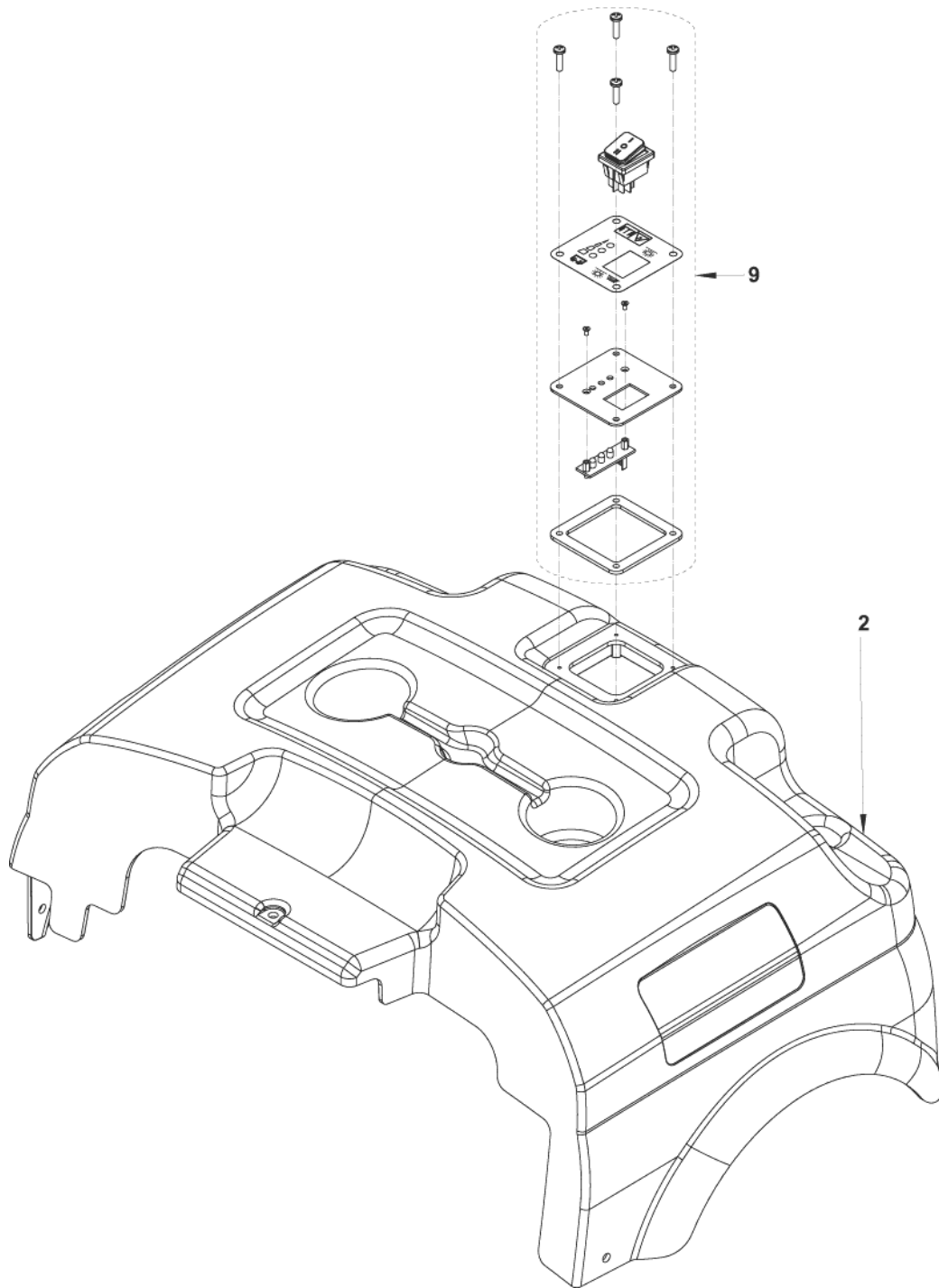
ASSIEME ASPIRAZIONE - VACUUM SYSTEM



GRUPPO FILTRO - FILTER ASSEMBLY

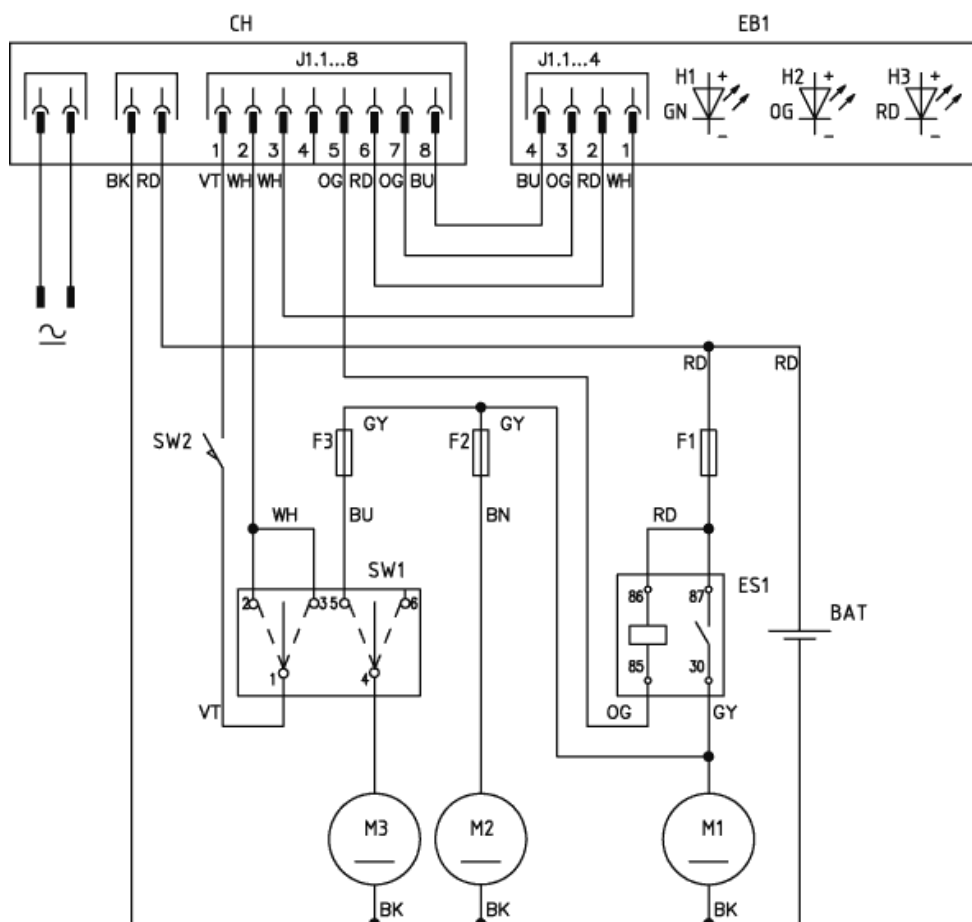


Pos.	Vare-nr	Antal	Beskrivelse	Notes
1	1463875000	1	Hardware Filter Fixing Ki T	
5	146 1804 000	1	Ventilator Vinge	
6	146 3055 000	1	CONVEYOR	
7	146 3125 000	1	SHEATH D.6XD.7 L 200	
12	1463161000	1	Filter polyester kit	



Pos.	Vare-nr	Antal	Beskrivelse	Notes
2	1466779000	1	COVER REAR GREY SIP	
9	146 3123 000	1	Kontrol Panel M/Decal Kit	

WIRING DIAGRAM
SW 750
146 3089 000 - Rev.B



COMPONENTI	COMPONENTS
BAT	Batteria 12V
CH1	Caricabatterie-controllo funzioni
EB1	Scheda LED
ES1	Relé
F1	Fusibile principale
F2	Fusibile ventola
F3	Fusibile spazzola laterale
H1	Led batteria piena carica
H2	Led batteria mezza carica
H3	Led batteria scarica
M1	Motore principale
M2	Ventola aspirazione
M3	Motore spazzola laterale
SW1	Interruttore
SW2	Microinterruttore cofano

Pos.	Vare-nr	Antal	Beskrivelse	Notes
------	---------	-------	-------------	-------

Pos.	Vare-nr	Antal	Beskrivelse	Notes
00	1463161000	1	Filter polyester kit	[1]
00	1463305000	1	Rem	[1]
00	146 3051 000	1	Indbygget oplader 12V 6A	[2]
00	1466506000	1	MICROSWITCH 10A 250V PKD	[2]
00	1463166000	1	Sideskørt kit, standard	[3]
00	146 3113 000	1	Relæ, 12V 70 A Tyco	[2]
00	146 1804 000	1	Ventilator Vinge	[2]
00	146 3123 000	1	Kontrol Panel M/Decal Kit	[2]
00	1463201000	1	BATTERY CLAMPS POS.-NEG.KIT	[4]
00	1463174000	1	Fejevalse standard	[3]
00	146 3035 000	1	Sidekost standard	[3]
00	146 3016 000	1	Fejevalse til tæpper/naturfiber	[4]
00	909 5706 000	1	Sikring 30A	[2]
00	1463171000	1	Tæppe kit	[4]
00	146 3036 000	1	Sidekost nylon til tæpper	[4]
00	1463860000	1	Wheel Black Kit	[2]
00	146 3090 000	1	CIRCUIT BREAKER 5A	[2]
00	1464483000	1	Batteri 12V 49A AGM monoblok	[2]
00	1463167000	1	Sværtrefrit skørt kit (side, bag, for)	[4]
00	1465998000	1	MOTOR ELECTRIC 200W 12V PKD	[2]
00	1464045000	1	Rem-Sæt	[1]
00	146 3027 000	1	Rem	[3]
00	1464853000	1	Batteri 12V 87A AGM monoblok	[4]
00	1465999000	1	REDUCTION GEARMOTOR 40W 12V PKD	[2]

Part Notes:

- [1] - ORDINARY MAINTENANCE
- [2] - EXTRAORDINARY MAINTENANCE
- [3] - WEAR PARTS
- [4] - ACCESSORY

