

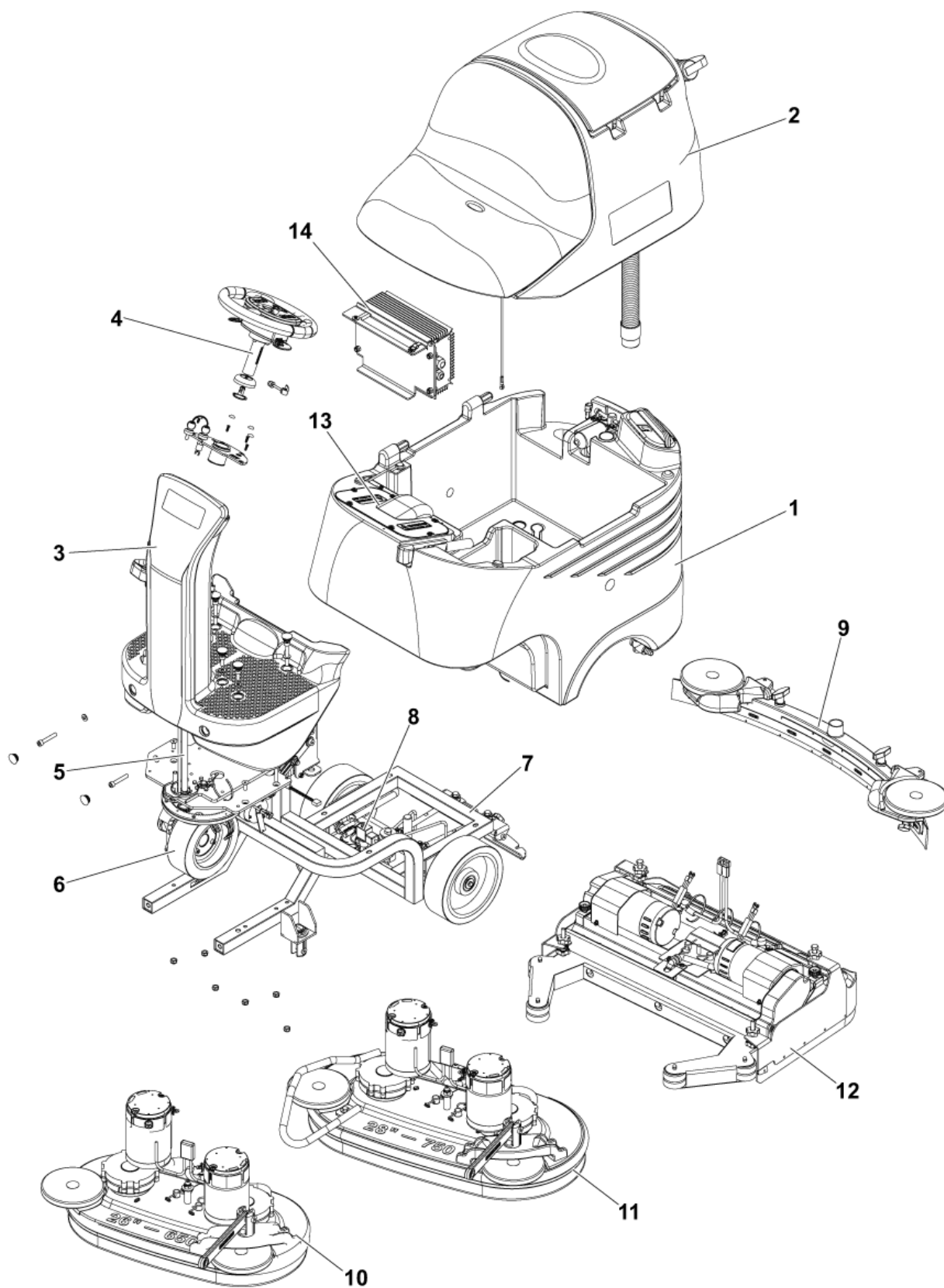
PARTS LIST



2017.08.01

TABLE OF CONTENTS

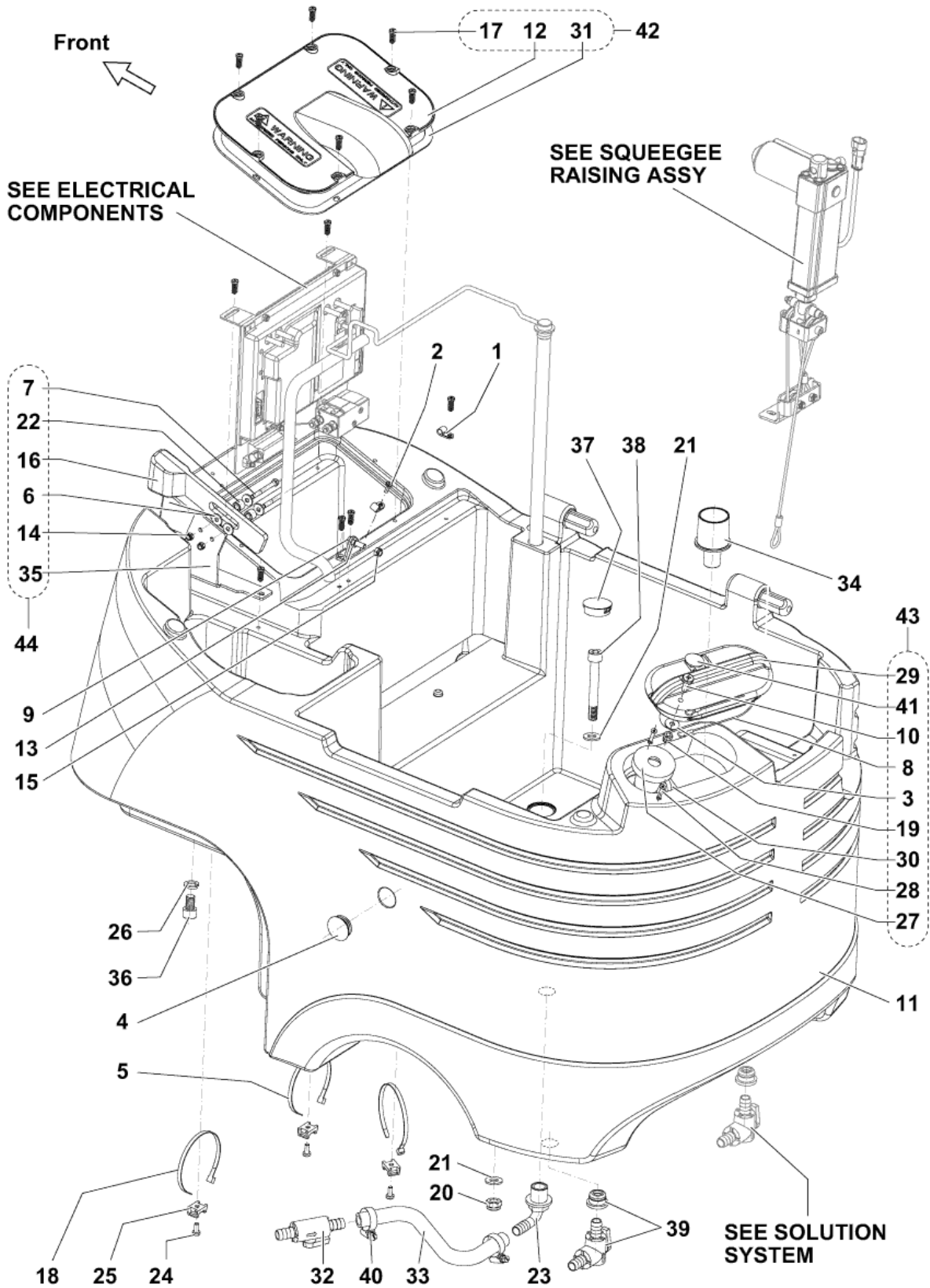
GENERAL VIEW	1
SOLUTION TANK	3
RECOVERY TANK	5
COLUMN SYSTEM	7
STEERING ASSY	9
STEERING WHEEL SUPP ASSY	11
DRIVE WHEEL ASSY	13
CHASSIS SYSTEM	15
SOLUTION SYSTEM	17
SQUEEGEE RAISING ASSY	19
SQUEEGEE SYSTEMS	21
DISC BRUSH DECK SUPP. ASSY	23
DISC BRUSH DECKS SYSTEMS	25
CYL. BRUSH DECK SUPP. ASSY	27
CYL. BRUSHES DECK 1	29
CYL. BRUSHES DECK 2	31
ELECTRICAL COMPONENTS	33
BATTERY CHARGER	35
ECOFLEX	37
MOP AND TRASH KIT - BASKET KIT	39
FLASHING BEACON KIT - NOISE REDUCTION KIT	41
ACCESSORIES	43
WIRING DIAGRAM	45
RECOMMENDED SPARE PARTS	47



Pos.	Vare-nr	Antal	Beskrivelse	Notes
1		1	SOLUTION TANK	[1]
2		1	RECOVERY TANK	[2]
3		1	COLUMN SYSTEM	[3]
4		1	STEERING ASSY	[4]
5		1	STEERING WHEEL SUPPORT ASSEMBLY	[5]
6		1	DRIVE WHEEL ASSEMBLY	[6]
7		1	CHASSIS SYSTEM	[7]
8		1	SOLUTION SYSTEM	[8]
9		1	SQUEEGEE SYSTEMS	[9]
10		1	BRUSHES DECK SYSTEM 650	[10]
11		1	BRUSHES DECK SYSTEM 750	[10]
12		1	CYL. BRUSHES SYSTEM	[11]
13		1	ELECTRICAL COMPONENTS	[12]
14		1	BATTERY CHARGER	[13]

Part Notes:

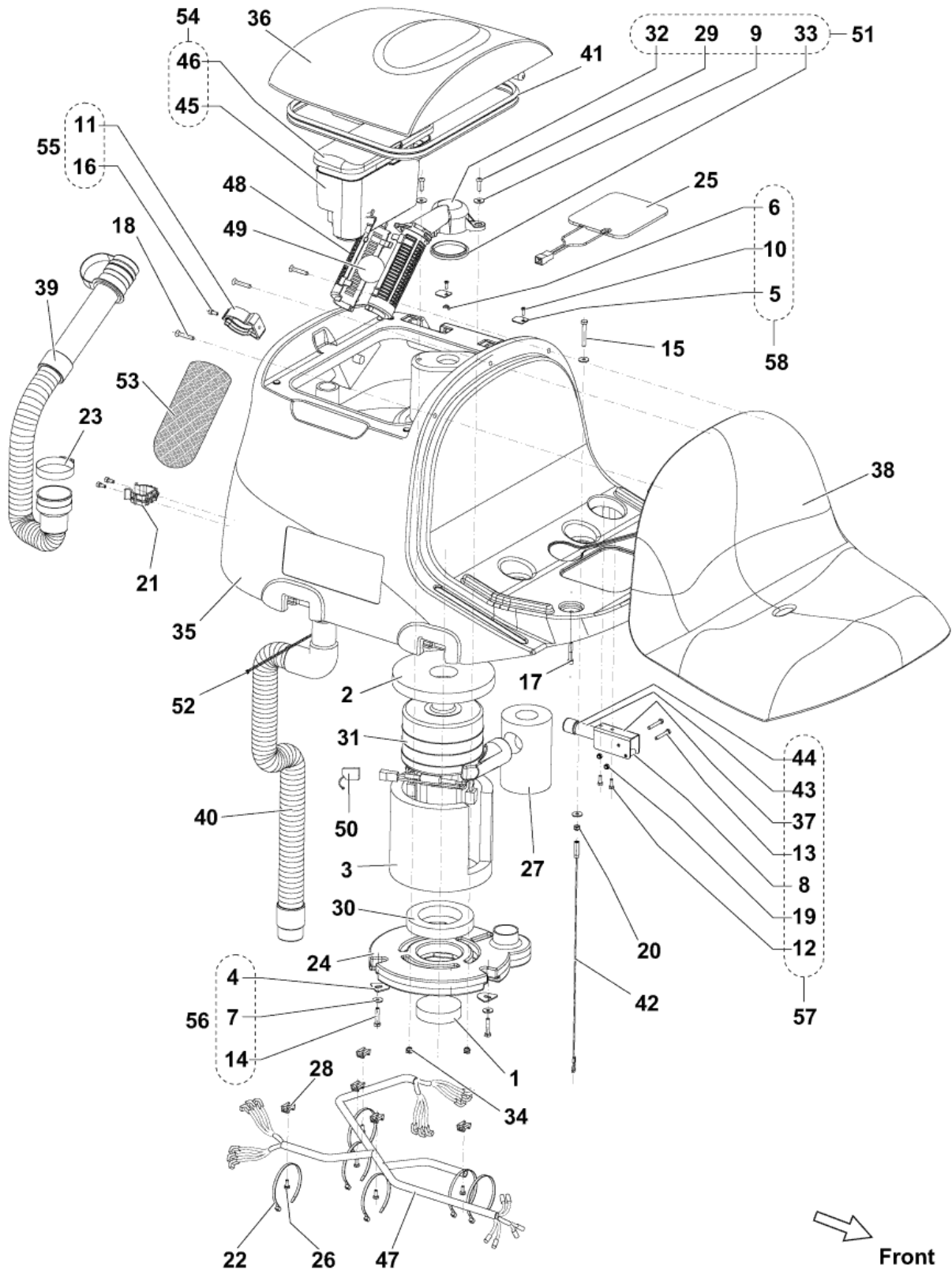
- [1] - SOLUTION TANK
- [2] - RECOVERY TANK
- [3] - COLUMN SYSTEM
- [4] - STEERING ASSY
- [5] - STEERING WHEEL SUPP ASSY
- [6] - DRIVE WHEEL ASSY
- [7] - CHASSIS SYSTEM
- [8] - SOLUTION SYSTEM
- [9] - SQUEEGEE SYSTEMS
- [10] - DISC BRUSH DECKS SYSTEMS
- [11] - CYL. BRUSHES DECK 1
- [12] - ELECTRICAL COMPONENTS
- [13] - BATTERY CHARGER



Pos.	Vare-nr	Antal	Beskrivelse	Notes
4	33023302	2	CAP BLACK SIP	
11	9100001582	1	TANK SOLUTION GREY SIP	
23	909 6087 000	3	Vinkel	
27	9100000703	1	Påfyldningsslange	[1]
32	9098173000	1	VALVE 1/2-1/2	
33	9098175000	1	HOSE PVC W/SPIRAL D.12X18 L.270MM SIP	
34	9098224000	1	Muff Fresh Water	
39	9097626000	1	Ventil	
42	9098707000	1	COVER ELECTRONIC CARD KIT	[2]
43	9098709000	1	Prop påfyldning kit	[3]
44	9098710000	1	LEVER F BATTERY CONNECTOR DEACTIV. KIT	[4]
45	9098711000	1	HARDWARE SOLUTION TANK KIT	[5]

Part Notes:

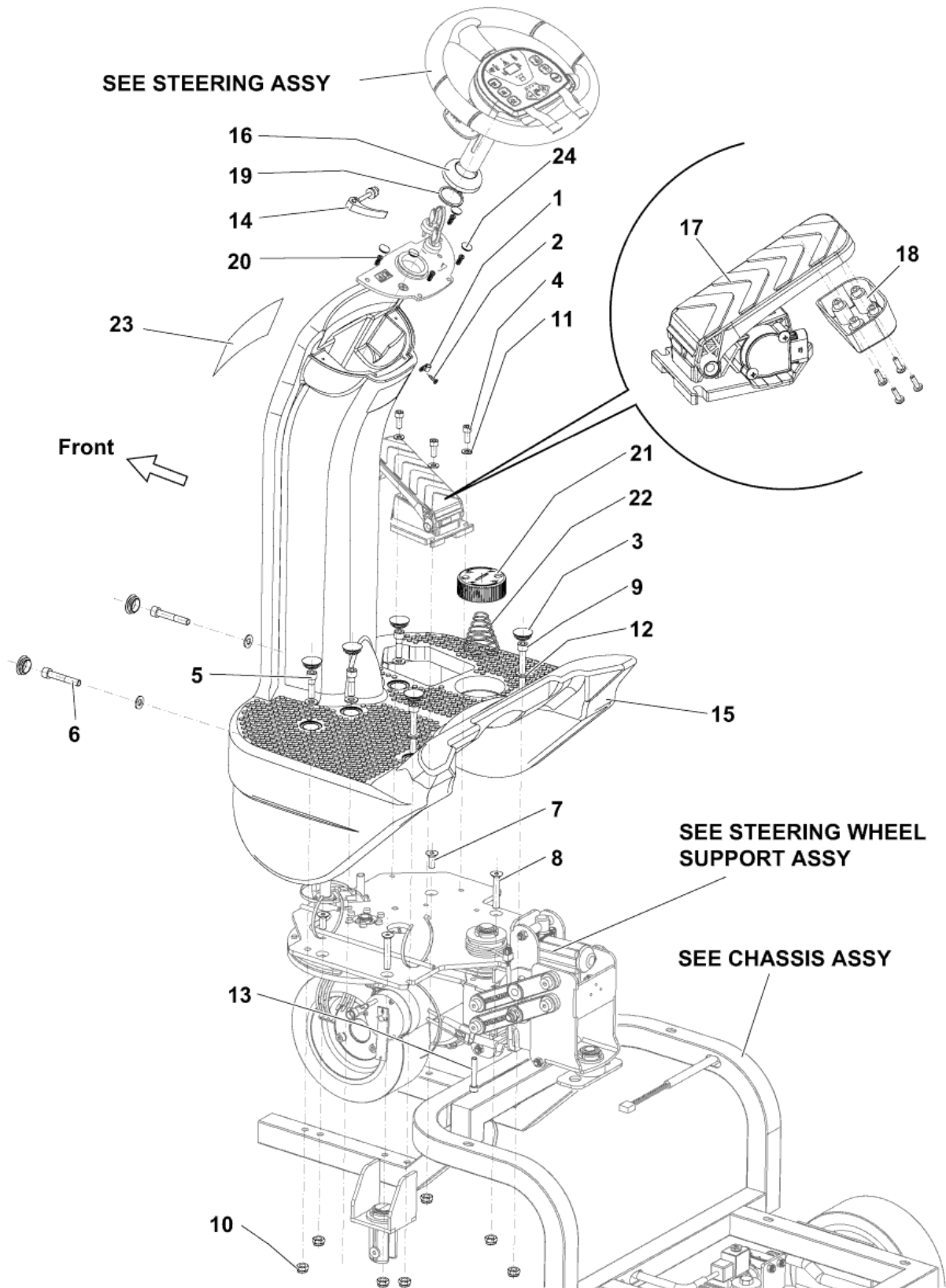
- [1] - SEE TSB-FC-2016-020
- [2] - Item 17-12-31
- [3] - Item 29-41-10-8-3-30-19-28-27
- [4] - Item 35-14-6-16-22-7
- [5] - NOT SHOWN - Item 1-2-24-25-18-5-15-13-9-17-26-36-37-38-21-20-40



Pos.	Vare-nr	Antal	Beskrivelse	Notes
1	909 6672 000	1	Filter	
2	909 6489 000	1	Gasket Vacuum Motor	
3	909 6491 000	1	Panel Acoustic Insulation	
21	9100001164	1	CLAMP HOSE D.40 BLACK KIT	
23	146 0771 000	1	CLAMP	
24	9100001246	1	COVER VACUUM MOTOR PKD	
25	9100001152	1	MICROSWITCH SIP	
27	909 6442 000	1	Pipe,Acoustic Insulation	
30	9097555000	1	Gasket vacuum moter	
31	9099929000	1	MOTOR VACUUM 3ST 24V 420W KIT	
31	9100001706	1	HIGH POWER VAC 570W KIT	[1]
35	9097801000	1	TANK RECOVERY RAL 7001	
36	9100002421	1	COVER TANK RAL7001 SIP	
38	9097858000	1	Seat	
39	9100001890	1	HOSE DRAIN BLACK PKD	
40	9098169000	1	Sugeslange	
41	9098172000	1	GASKET BULB RUBBER L.1235MM PKD	
42	9098177000	1	CABLE SAFETY F TANK	
47	9098235000	1	HARNES RECOVERY TANK	
48	9100000818	1	CAGE FLOAT HALF 2 PCS SET	
49	9100000817	1	BALL FLOATING PKD	
50	9098716000	1	CARBON BRUSH 2 PCS SET	
51	9100001875	1	SUPPORT FLOAT KIT	[2]
52	L08066000	1	TIE CABLE QUICK FASTENING L.320	
53	909 5065 000	1	Anti-skumfilter	[3]
54	9098712000	1	Grovfilter kit	[4]
55	909 6380 000	1	Slangeklemme Kit	[5]
56	909 6877 000	1	Hardware Motor Fixing Kit	[6]
57	9098713000	1	BRACKET SAFETY KIT	[7]
58	9098714000	1	FIXING TANK KIT	[8]
59	9098715000	1	HARDWARE RECOVERY TANK KIT	[9]
60	9099210000	1	THICKNESS ADHESIVE	[10]

Part Notes:

- [1] - OPTIONAL - SEE INST.INSTR. 9100001707
- [2] - Item 32-29-9-33
- [3] - Optional
- [4] - Item 45-46
- [5] - Item 11-16
- [6] - Item 4-7-14
- [7] - Item 44-43-37-13-8-19-12
- [8] - Item 6-10-5
- [9] - NOT SHOWN - Item 15-17-20-34-26-22-28-18-7
- [10] - NOT SHOWN

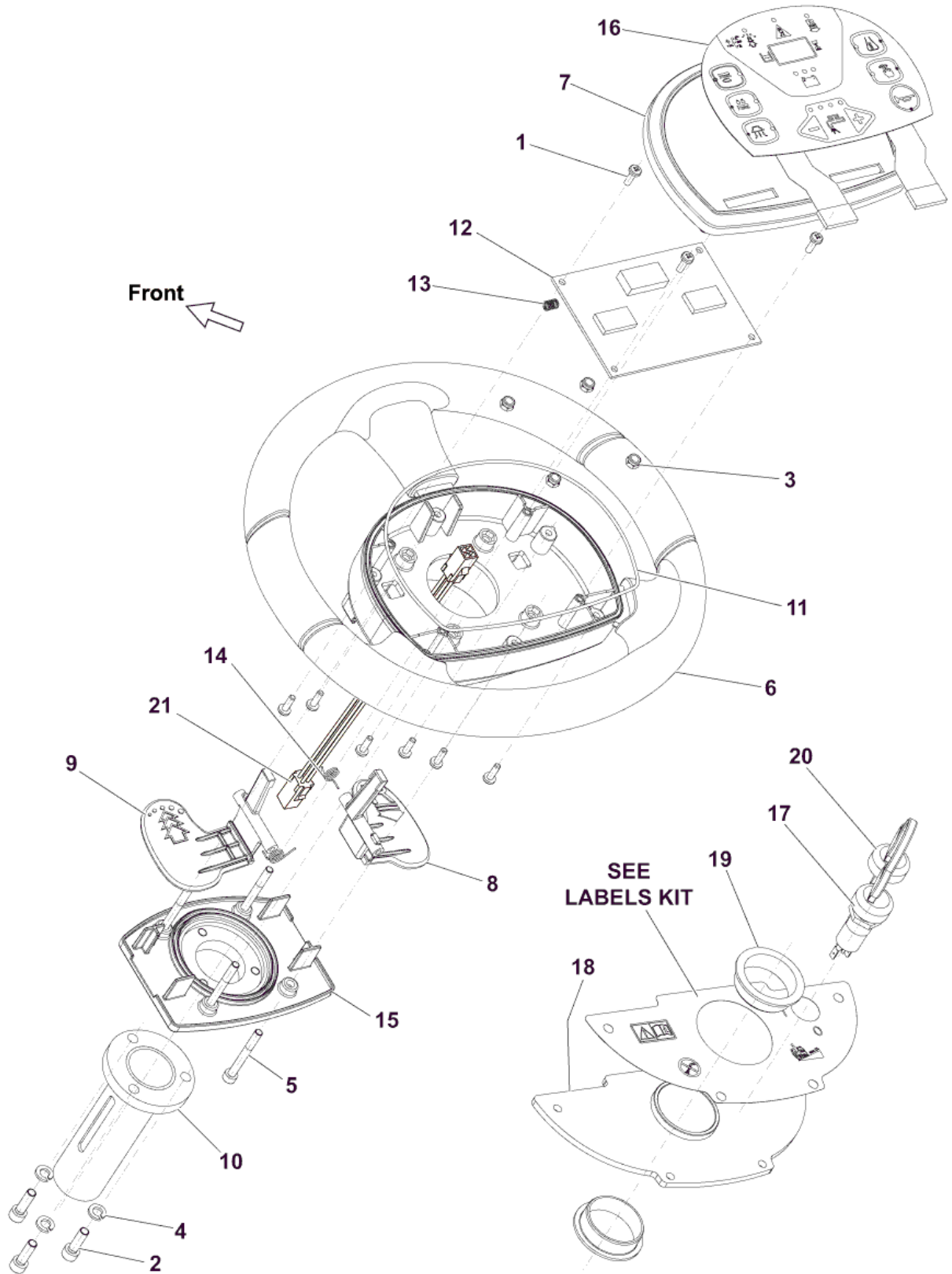


Resource notes:
25 - NOT SHOWN

Pos.	Vare-nr	Antal	Beskrivelse	Notes
14	9097796000	1	LEVER BLOCK STEERING WHEEL	
15	9097805000	1	FOOTBOARD WITH COLUMN RAL7016	
16	9097806000	1	PROTECTION STEERING RING	
17	9100001421	1	PEDAL SPEED CONTROL KIT	[1]
17	9100001420	1	PEDAL SPEED CONTROL SIP	[2]
18	9100001052	1	STOPPER PEDAL SIP	[3]
21	9097950000	1	Footrest	
22	9097957000	1	Spring Footrest	
23	9098717000	1	Decals Kit BR 652/752/752C	
25	9100001448	1	HARDWARE STEERING COLUMN KIT	[4]

Part Notes:

- [1] - For machine before SN 3510160702622- See TSB-FC 2015-030
See Inst. Instr. 9100001439
- [2] - For machinestarting SN 3510160702622 - See TSB-FC-2015-030
- [3] - SEE TSB-FC-2015-030
- [4] - Item 1-2-3-4-5-6-7-8-9-10-11-12-13-19-20-24



STEERING ASSY

BR 752

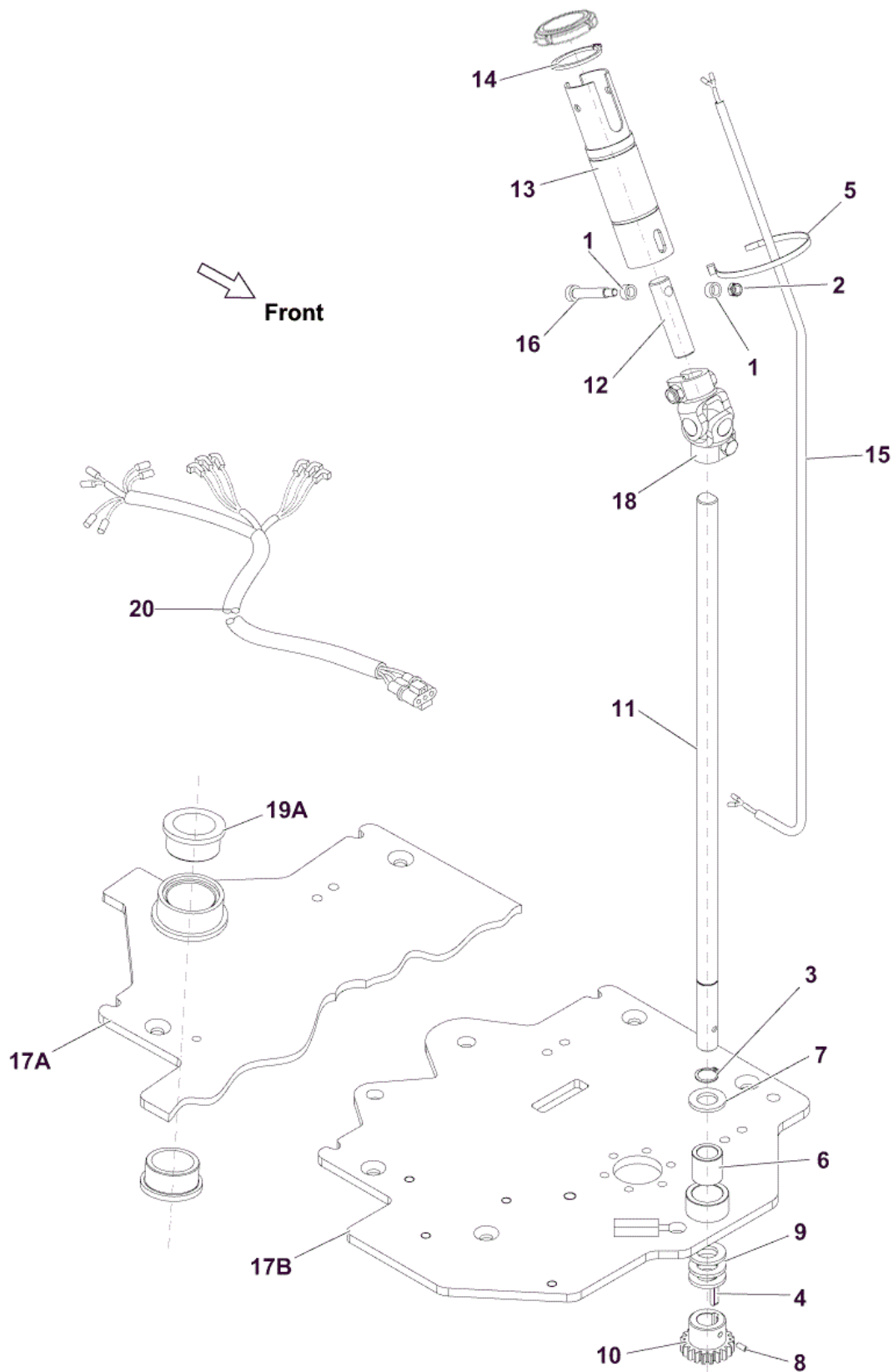
2015.05.19

2016.10.28

Pos.	Vare-nr	Antal	Beskrivelse	Notes
6	9100001082	1	WHEEL STEERING D.320X281 PKD	
7	9097786000	1	COVER DRIVE WHEEL	
8	9100001083	1	LEVER RIGHT PA YELLOW SIP	
9	9100001084	1	LEVER LEFT PA BLACK PKD	
10	9100001086	1	TUBE ADJUST.STEERING WHEEL SIP	
11	9100001088	1	GASKET ROUND D.2 SIP	
12	9100000178	1	CARD ELECTRONIC FUNCTIONS KIT	
13	9100001157	2	SPRING MOVING BOTTON 10 PCS SET	
14	9100001158	2	SPRING TORSION FOR STEERING 10 PCS SET	
15	9100001089	1	COVER LOWER SIP	
16	9097986000	1	Panelprint	
17	9100001354	1	SWITCH KEY WITH CAP PKD	
18	9097842000	1	PLATE FIXING STEERING WHEEL	
19	9100001085	2	BEARING FLANGE IGLIDUR GFM-4044-14 SIP	
20	146 2887 000	1	Nøgle (2 Pcs) Ba510Sd	
21	9097792000	1	Cable Dashboard Extension	
22	9098719000	1	HARDWARE STEERING WHEEL KIT	[1]

Part Notes:

[1] - NOT SHOWN - Item 1-2-3-4-5



STEERING WHEEL SUPP ASSY

BR 752

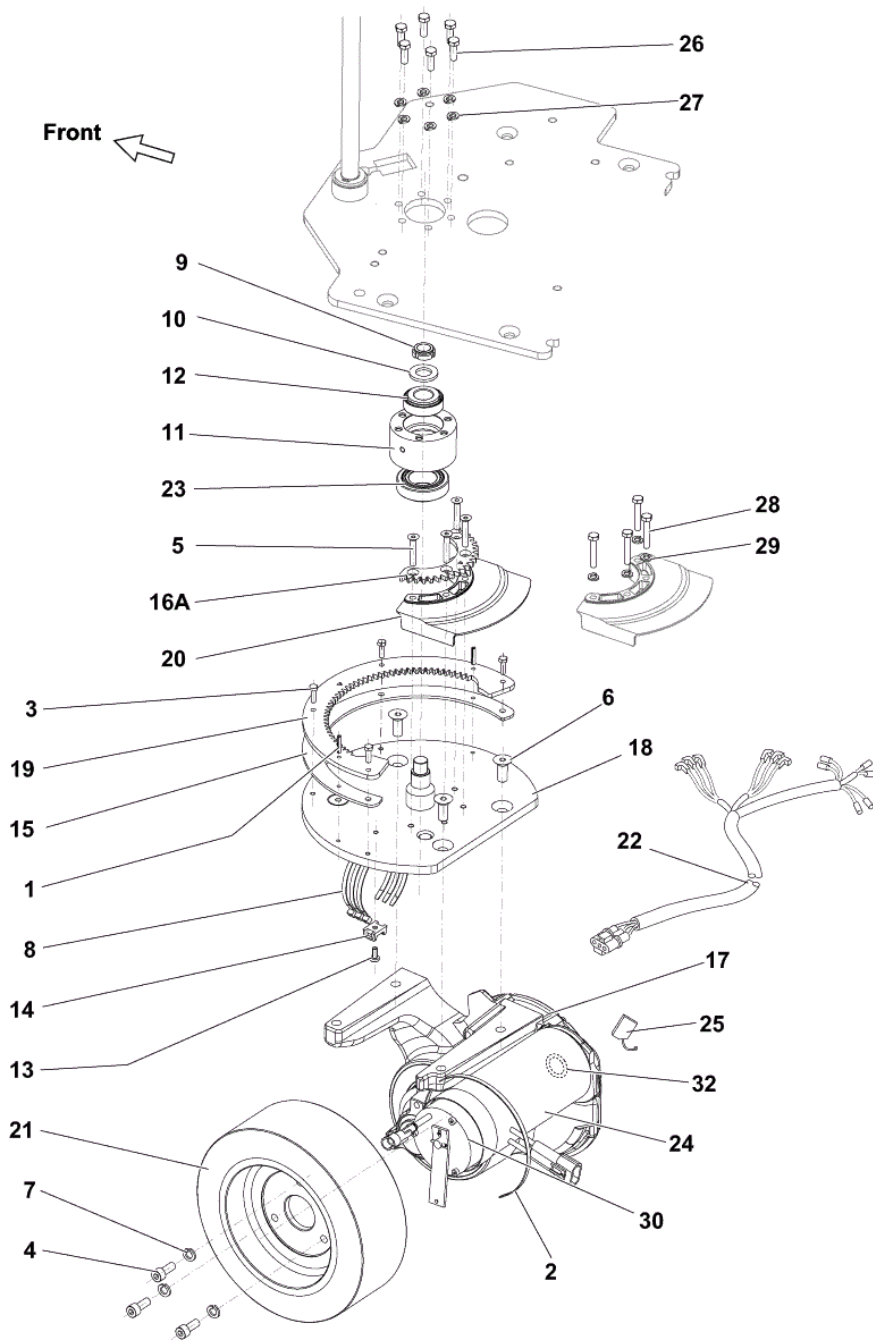
2016.10.25

2016.10.25

Pos.	Vare-nr	Antal	Beskrivelse	Notes
4	1466146000	1	KEY 5X5X25 UNI6604A PKD	
10	909 5943 000	1	Pinion Steering	
11	9100001701	1	SHAFT STEERING PHOS. SIP	
12	9097844000	1	SHAFT STEERING	
13	9100001450	1	TUBE STEERING KIT	[1]
15	9098094000	1	Harness Rat	
16	9098166000	1	SCREW SHOUL 8X40 M6 GEOMET 321A ISO7379	
17A	9100001851	1	PLATE STEERING SUPPORT KIT	[2]
17B	9100001852	1	PLATE STEERING SUPPORT CYL KIT	[3]
18	1466319000	1	JOINT UNIVERSAL D.17 SIP	
19A	9098216000	2	BUSH FLANGED D.30X38X44	[2]
20	9100001436	1	HARNES FOOTBOARD DISC DECK SIP	[4]
20	9100001429	1	HARNES FOOTBOARD DISC DECK SIP	[5]
20	9100001438	1	HARNES FOOTBOARD CYL.DECK SIP	[6]
20	9100001431	1	HARNES FOOTBOARD CYL.DECK SIP	[7]
21	9100001449	1	HARDWARE STEERING SUPPORT KIT	[8]

Part Notes:

- [1] - SEE TSB IT 2011-076
- [2] - Only for BR 652 - BR 752
- [3] - Only for BR 752C NIL
- [4] - Only for BR 652 - BR 752
SEE TSB-FC-2015-030
- [5] - Only for BR 652 - BR 752
STARTING FROM S/N 3510160702622 -SEE TSB-FC-2015-030
- [6] - SEE TSB-FC-2015-030,SEE PI 2017-002
Only for BR 752C NIL
- [7] - Only for BR 752C NIL
STARTING FROMS/N 3510160702622 -SEE TSB-FC-2015-030
- [8] - NOT SHOWN - Item 1-2-5-6-7-8-9-14-3 - SEE TSB IT 2011-076

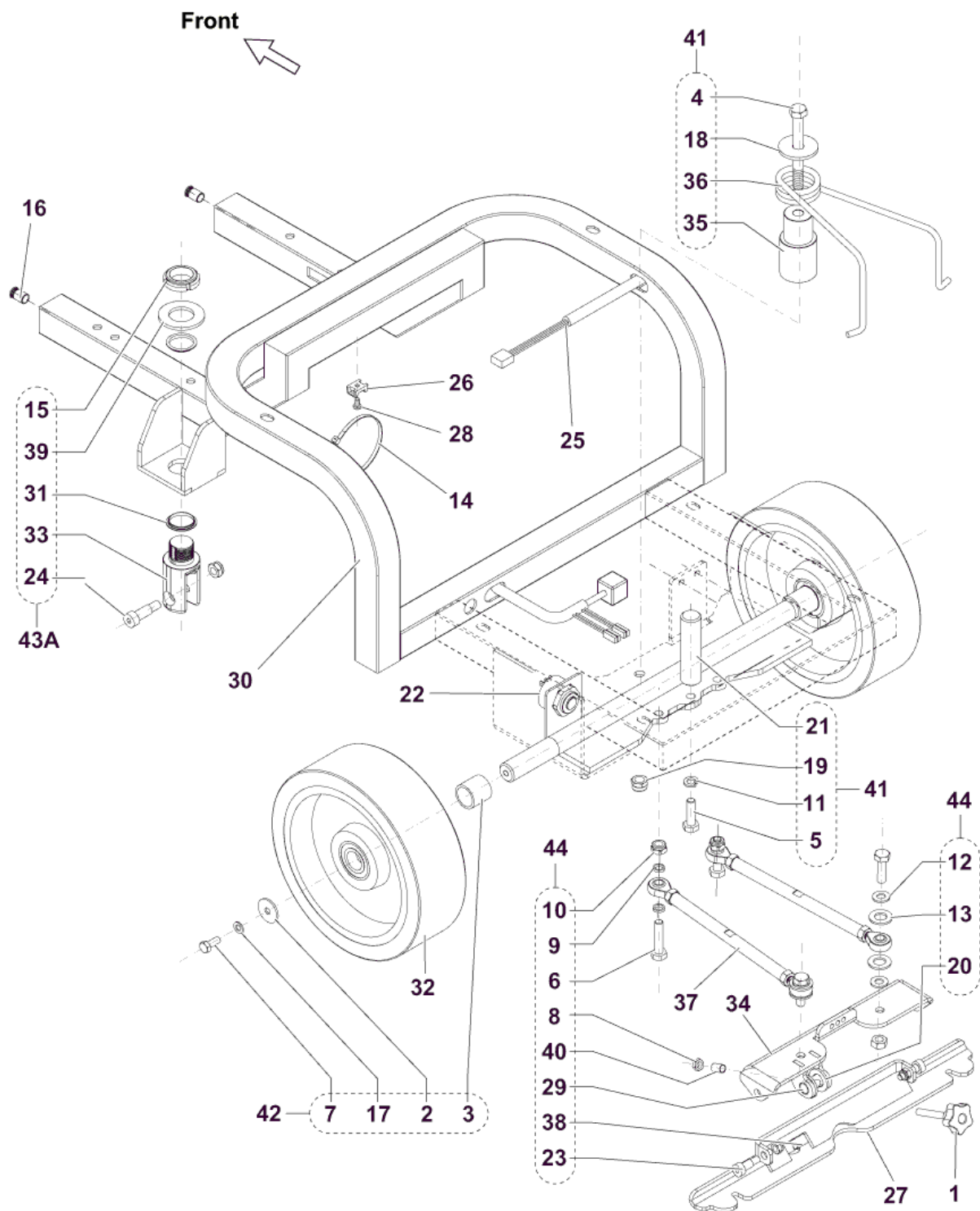


Resource notes:
31 - NOT SHOWN

Pos.	Vare-nr	Antal	Beskrivelse	Notes
11	9100001734	1	SUPPORT BALL BEARING PHOS. SIP	
12	1467639000	1	BEARING TAPER ROLLER 32004X SIP	
15	9097807000	1	SPACER GALV. FOR GEAR SPUR	
16A	9097809000	1	Gear Main Z45	[1]
17	9100000074	1	MOTOR WHEEL 300W 24V KIT	
18	9100002206	1	BRACKET STEERING GALV. KIT	[2]
19	9097841000	1	Crown Steering Z100	
20	9098165000	1	PROTECTION DRIVE WHEEL WIRING	
21	9098407000	1	WHEEL DRIVE	
22	9098430000	1	HARNES WHEEL MOTOR	
23	1467636000	1	BEARING TAPER ROLLER 32006 SIP	
24	9100002163	1	MOTOR ELECTRIC 300W 24V KIT	
25	9098627000	1	CARBON BRUSH 2 PCS SET	
30	9098626000	1	Brake Electric.Released	
31	9098721000	1	HARDWARE DRIVE WHEEL KIT	[3]
32	9098800000	1	OIL SEAL 15X32X7	[4]

Part Notes:

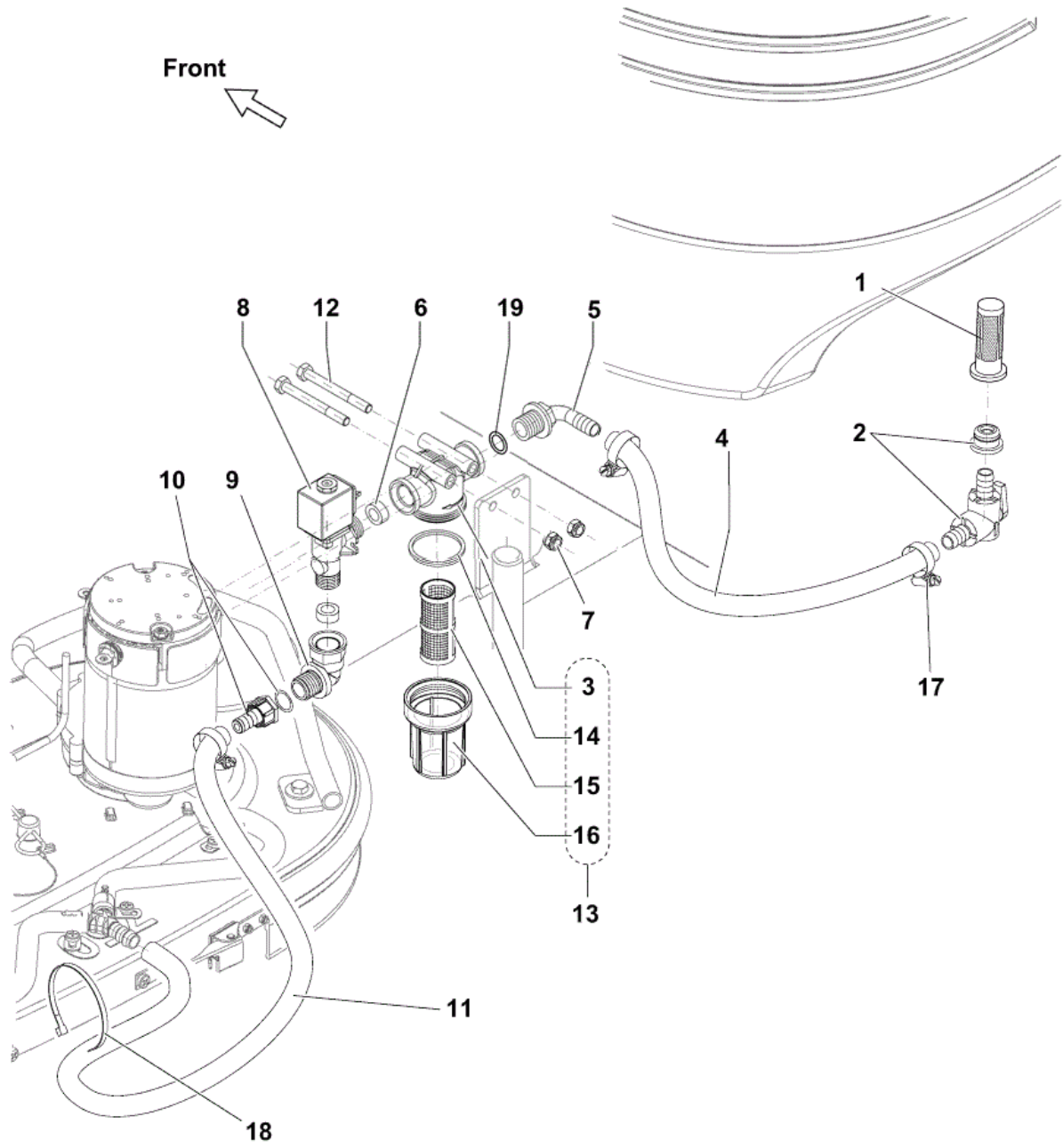
- [1] - Only for BR 652 - BR 752
- [2] - TSB-FC-2016-015 steering bracket BR652-SC3000
DE TSB-FC-2016-015 BR652 Scrubtec R4 Lenkungseinheit Halterung
- [3] - Item 26-27-9-10-5-28-29-3-1-6-8-14-13-7-4-2
- [4] - For MOTOR WHEEL 9097834000



Pos.	Vare-nr	Antal	Beskrivelse	Notes
1	9099136000	1	HANDWHEEL M8x55	
22	909 6126 000	1	BUZZER 5-32V	
25	9098236000	1	HARNES REAR MACHINE	
27	9098390000	1	Support Squeegee Down	
30	9097798000	1	CHASSIS	
32	9100000772	2	WHEEL D.254 80SH GREY PKD	
34	9097827000	1	Support Squeegee Upper	
37	9100001090	2	ROD EYE M10 PKD	
41	9098722000	1	CENTRING SQUEEGEE KIT	[1]
42	9098723000	1	FIXING WHEELS KIT	[2]
43A	9098724000	1	BRACKET TURNING KIT	[3]
44	9098725000	1	Hardware Tie Rod Squeegee Kit	[4]

Part Notes:

- [1] - Item 4-18-36-35-21-19-11-5
- [2] - Item 7-17-2-3
- [3] - Item 24-33-31-39-15 (Only for BR 652 - BR 752)
- [4] - Item 10-9-6-8-40-29-38-23-12-13-20



Pos.	Vare-nr	Antal	Beskrivelse	Notes
1	9100001353	1	FILTER SOLUTION TANK PKD	[1]
2	9097626000	1	Ventil	
4	9098120000	1	HOSE PVC W/SPIRAL D.12X18 L.323MM SIP	
5	909 6087 000	1	Vinkel	
6	9100000622	3	GASKET RUBBER D.11.5X19X5 BLACK SIP	
8	909 6555 000	1	Solenoid Valve 24V	
9	9100000894	1	ELBOW CURVED M/F PKD	
10	9100002148	1	BARB HOSE STRAIGHT 1/2 D.13 PLAST. KIT	
11	9097821000	1	Hose D.12 L.1020Mm	
13	9098115000	1	Filter Water	
14	9097943000	1	Gasket For Water Filter	
15	9097944000	1	Filterindsats F Rentvands Filter	
16	9097945000	1	Cover Transp.Water Fil	
19	9100002332	1	O-RING 5X20 METRIC NBR 70SH 2PCS SET	
20	9098726000	1	Hardware Solenoid Valve Kit	[2]

Part Notes:

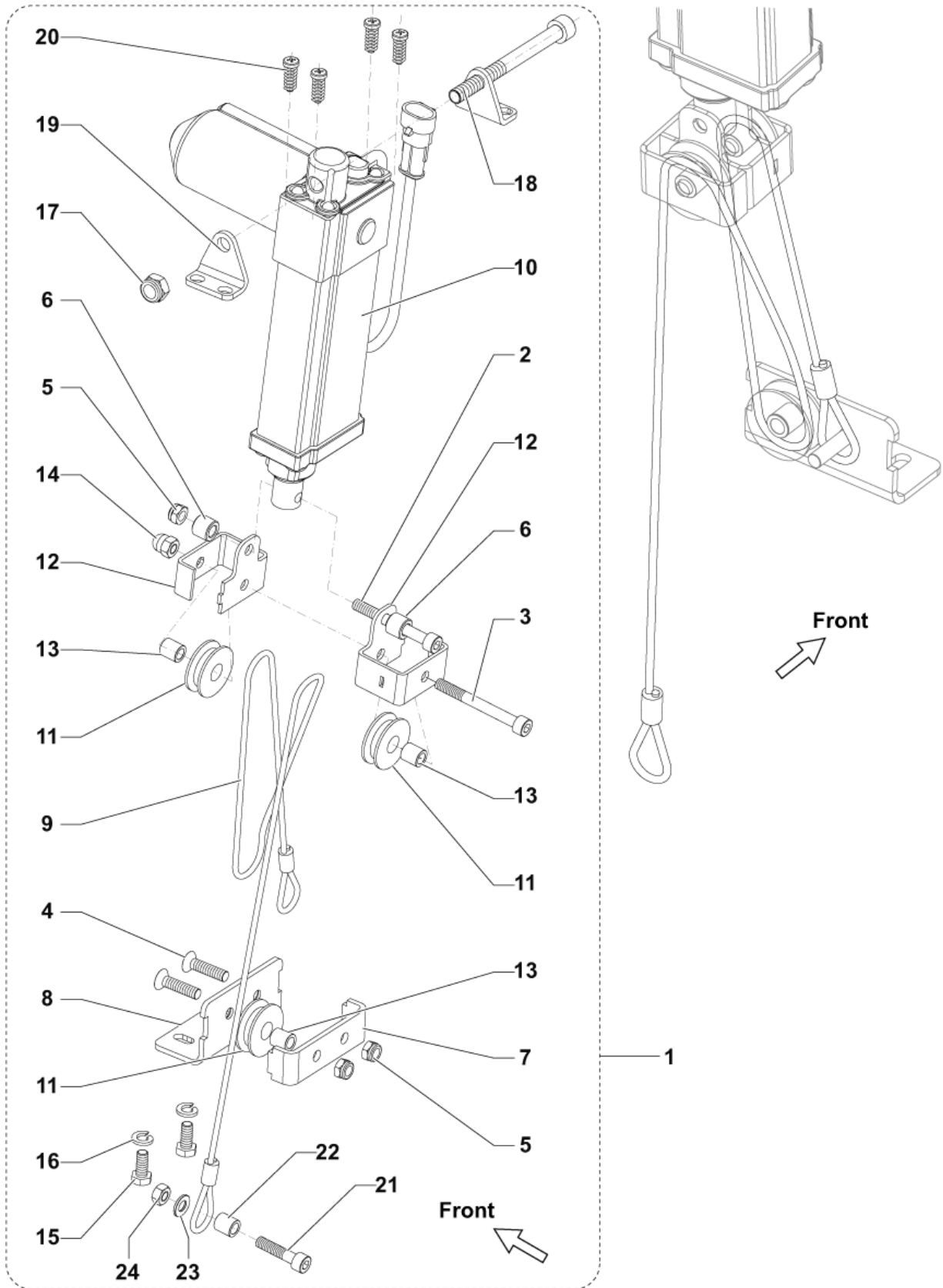
- [1] - Optional
 [2] - NOT SHOWN - Item 12-7-17-18

SQUEEGEE RAISING ASSY

BR 752

2015.05.19

2015.04.28



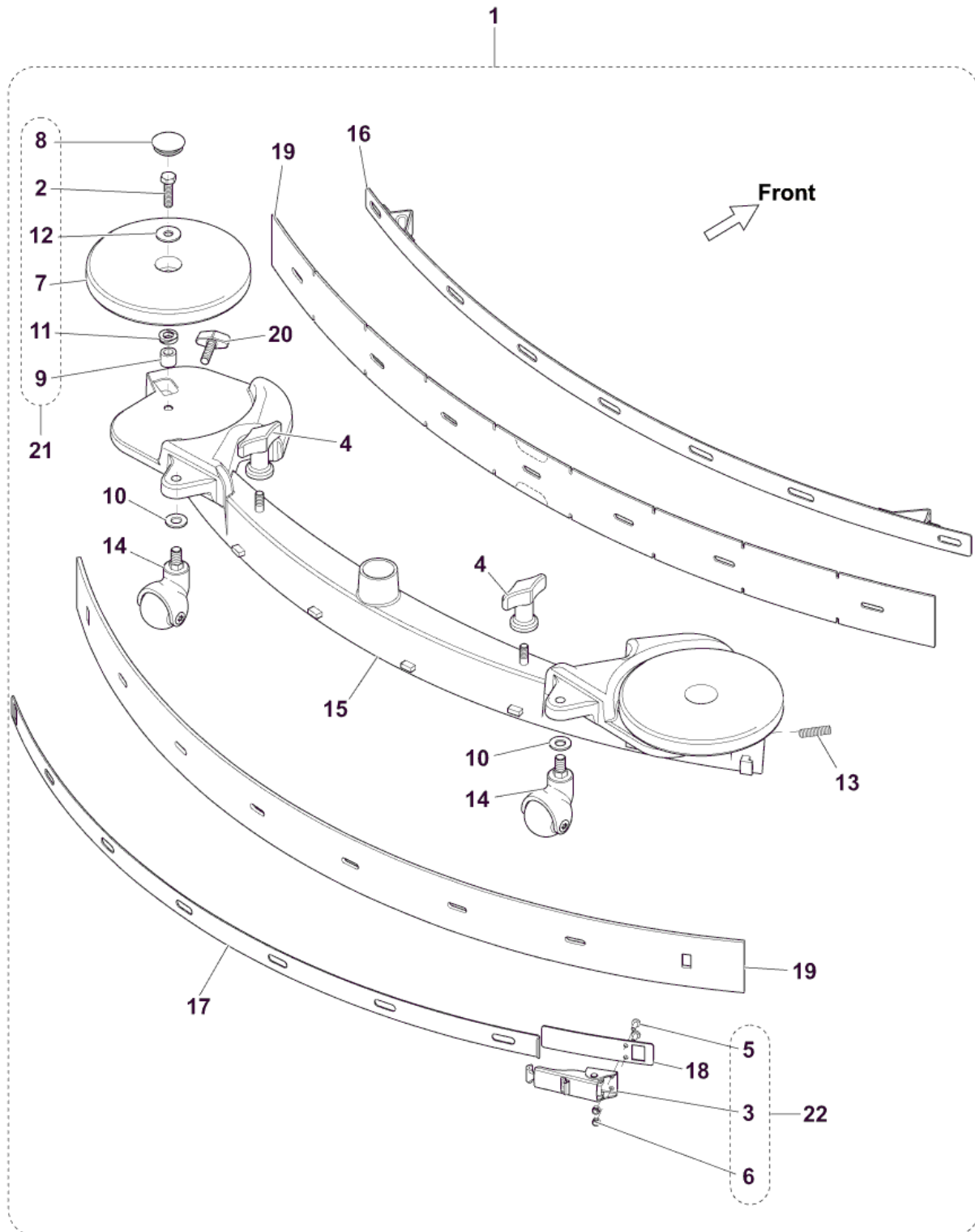
SQUEEGEE RAISING ASSY

BR 752

2015.05.19

2015.04.28

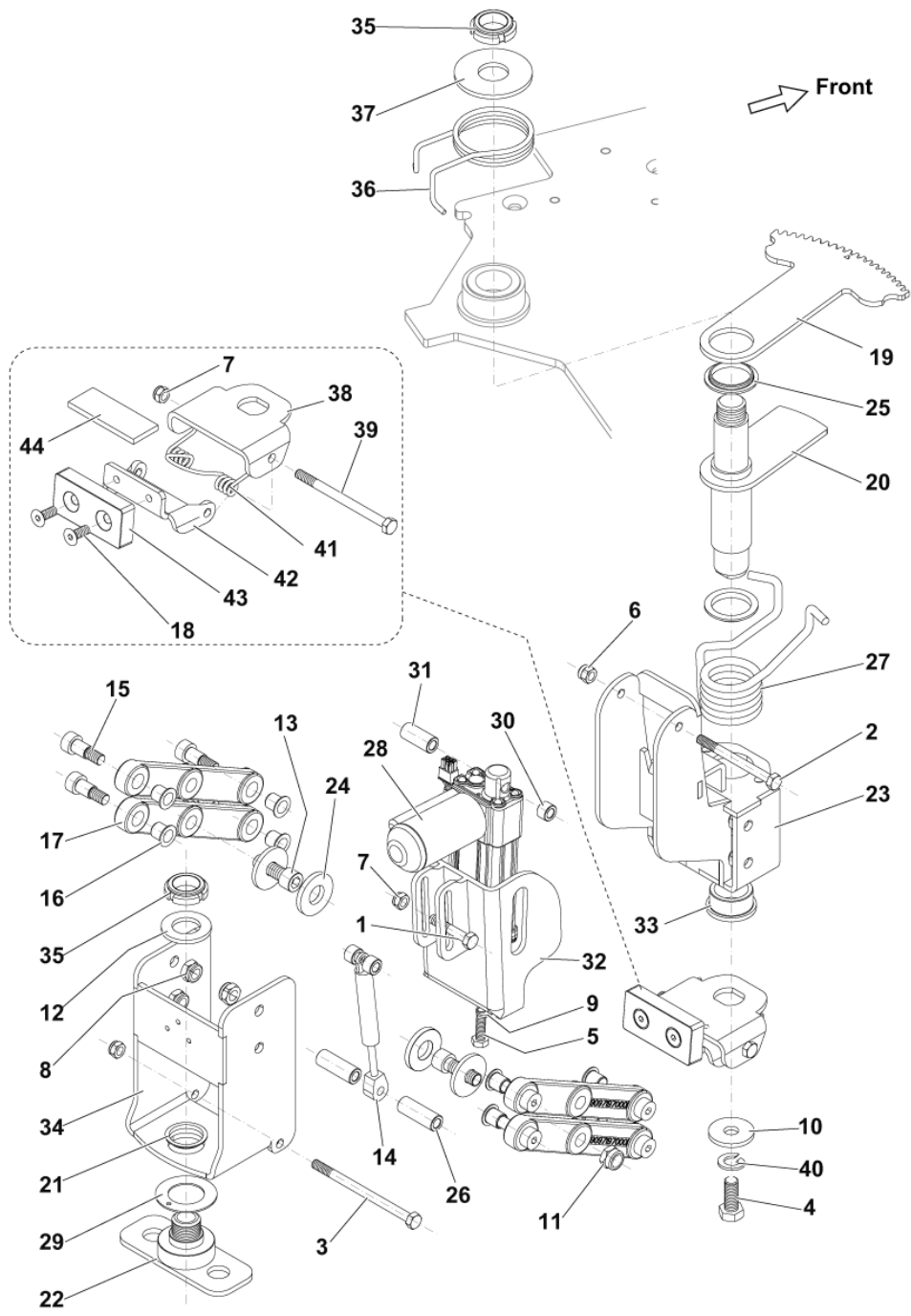
Pos.	Vare-nr	Antal	Beskrivelse	Notes
1	9098708000	1	SQUEEGEE LIFTING KIT	
9	9097933000	1	Cable Squeegee Lifting	
10	9100000682	1	ACTUATOR LINEAR 24V DC STRK 100MM PKD	
11	9098248000	3	PULLEY PLASTIC D.30	



Pos.	Vare-nr	Antal	Beskrivelse	Notes
1	9098728000	1	Sugefod komplet	
4	9097637000	1	Monteringskrue (2 Stk)	
13	909 6600 000	1	SCREW GRUB M8X30 CUP POINT SS ISO4029	
14	9099163000	2	Castor Hjul D42	
15	9098379000	1	Weldment Squeegee Tool890 Mm/35	
16	9098380000	1	STRAP FRONT SQUEEGEE 35 INC	
17	9098381000	1	STRAP SKIRT REAR RIGHT 35 INC.	
18	9098382000	1	STRAP SKIRT REAR LEFT 35 INC	
19	9099855000	1	Sugegummi kit polyurethan 35" 890 mm	
19	9097804000	1	Sugegummi kit Gum 35" 890 mm	[1]
20	9100000791	1	KNOB M8X30 THD STUD SS PKD	
21	909 6887 000	2	Stødhjul	[2]
22	909 6394 000	1	Latch Squeegee Kit	[3]

Part Notes:

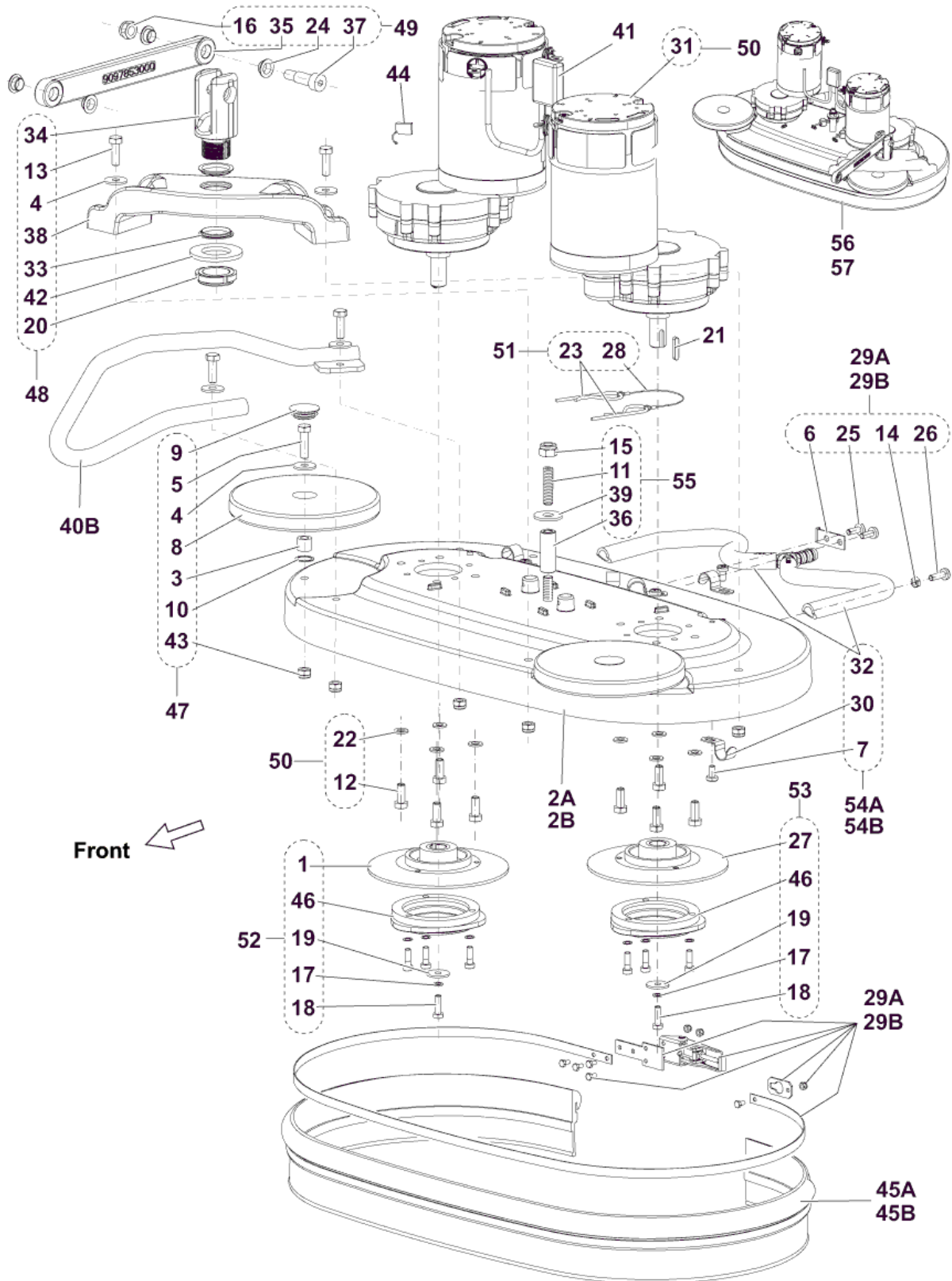
- [1] - Optional
 [2] - Item 9-11-7-12-2-8
 [3] - Item 3-5-6



Pos.	Vare-nr	Antal	Beskrivelse	Notes
14	909 5637 000	1	Gas Fjeder	
15	909 6520 000	8	SCREW 12X16 M10 ISO7379 12.9 GEOMET320A	
16	9097008000	8	BEARING FLANGE IGLIDUR GFM-1214-15	
17	9097197000	4	LEVER	
19	9097810000	1	GEAR SLAVE	
20	9097811000	1	PIN SLAVE GEAR	
21	910000902	1	BEARING FLANGE IGLIDUR 2 PCS SET	
22	9097819000	1	BRACKET ROTATING SUPPORT DECK	
23	9097822000	1	SUPPORT JACK	
24	9097824000	2	BUSH D.18.2X40	
25	9097835000	2	BUSH FLANGED D.35X39X47	
26	9097836000	2	SPACER D. 8.5X15X42	
27	9097850000	1	SPRING DRAGGING DECK	
28	910000681	1	ACTUATOR LINEAR 24V DC STRK 66MM PKD	
29	910000903	1	WASHER THRUST GTM 3254-015 SIP	
30	9097938000	3	SPACER D. 8.5X15X10	
31	9097939000	1	SPACER D. 8.5X15X33	
32	9098176000	1	BRACKET LOWER JACK MOTOR	
33	9098216000	1	BUSH FLANGED D.30X38X44	
34	9098220000	1	BRACKET SUPPORT DECK	
35	33005721	2	NUT RING M25X1.5 KMA8 LIGHT SERIES	
36	9097851000	1	Fjeder for børste deck	
37	9098239000	1	WASHER PLAIN D.25.5X65X4 GALV.	
38	9098195000	1	FLANGE UP DRAGGING	
41	9098197000	1	SPRING INSERTION DRAGGING	
42	9098196000	1	FLANGE DOWN DRAGGING	
43	9097813000	1	GUIDE DRAGGING DECK	
44	9098857000	1	RUBBER ANTISHOCK	
45	9098727000	1	HARDWARE BRUSH DECK SUPPORT KI	[1]

Part Notes:

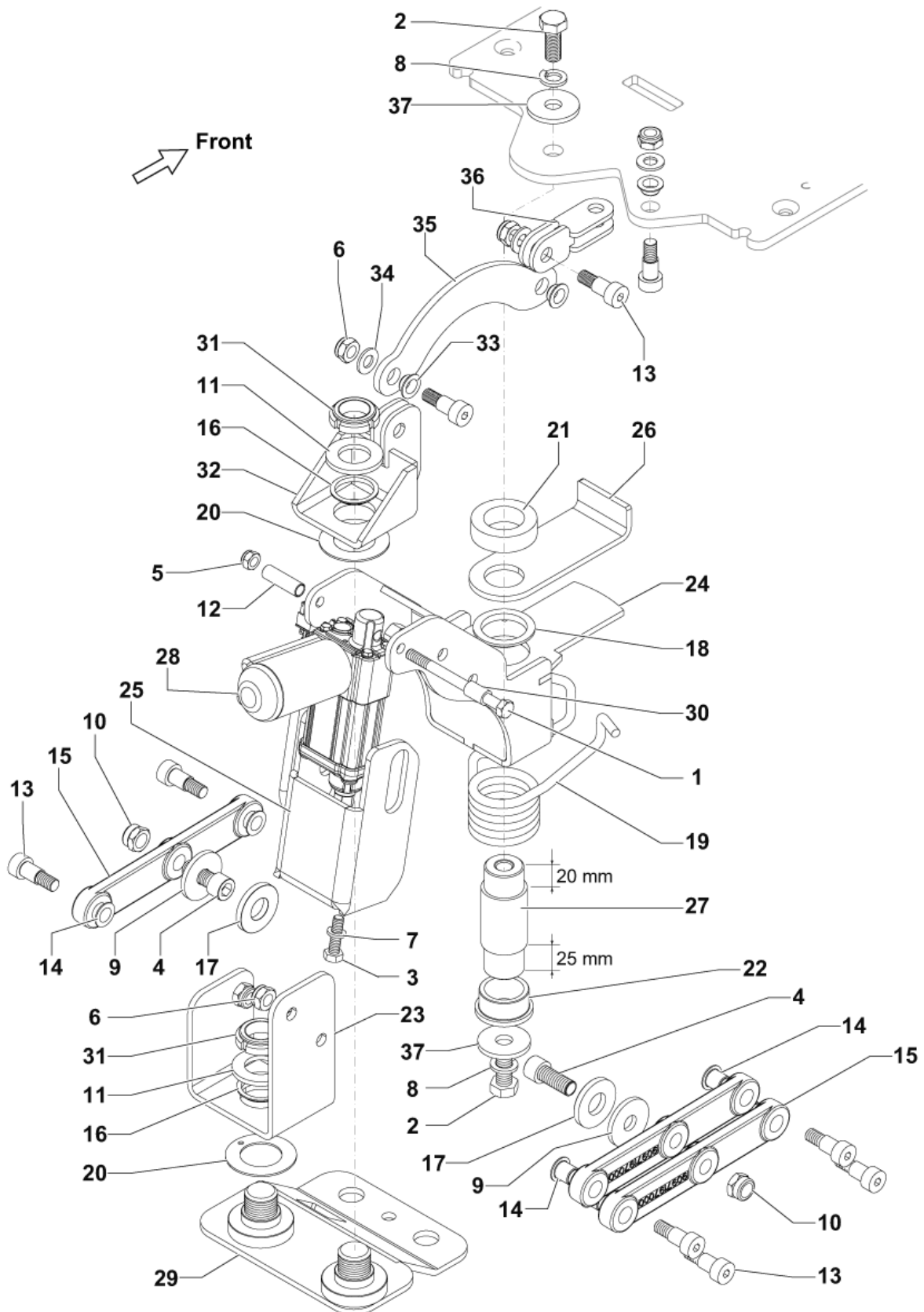
[1] - NOT SHOWN - Item 40-18-39-6-2-13-1-7-9-5-10-4-11-3-8-12



Pos.	Vare-nr	Antal	Beskrivelse	Notes
2A	9099414000	1	DECK BRUSH 650MM	[1]
2B	9099415000	1	DECK BRUSH 750MM	[2]
21	1466146000	2	KEY 5X5X25 UNI6604A PKD	
29A	909 5398 000	1	Spændebånd, Stænskørte BA 650/600S	[1]
29B	909 5407 000	1	SPLASH GUARD FIXING KIT	[2]
40B	9098243000	1	PROTECTION BRUSH DECK 750	[2]
41	9098374000	1	HARNES BRUSH DECK	
41	9100002248	1	CONNECTOR 50A RED SIP	
44	909 5380 000	2	Carbon Brush Kit	[3]
44	9100000421	2	CARBON BRUSHES W/HOLDER KIT	[4]
44	L08603949	2	Kul Kit 4 Stk	[5]
45A	9097474000	1	SPLASH GUARD W/BRISTLES	[6]
45A	909 5224 000	1	Børsteinddækningssæt, 650 mm	[1]
45B	9097475000	1	SPLASH GUARD W/BRISTLES	[7]
45B	909 5345 000	1	Børsteinddækningssæt, 750 mm	[2]
46	L08812480	2	Polyg. Holder Ba450/530	
47	909 6887 000	2	Stødhjul	[8]
48	9098730000	1	SPACER SIDE ARM KIT	[9]
49	9098731000	1	ARM SIDE KIT	[10]
50	9100001657	2	REDUCTION GEARMOTOR 400W 24V KIT	[11]
51	909 6354 000	1	SPLIT PINS W/CABLE KIT	[12]
52	9097640000	1	HOLDER POLYGONAL RIGHT KIT	[13]
53	9097639000	1	HOLDER POLYGONAL LEFT KIT	[14]
54A	9097644000	1	HOSE WATER BRUSH DECK KIT	[15]
54B	9097645000	1	HOSE WATER BRUSH DECK 750MM/28 KIT	[16]
55	9098732000	1	Fixing Deck Kit	[17]
56	9098741000	1	Børstehoved, komplet	[18]
57	9098742000	1	Børstehoved, komplet	[18]

Part Notes:

- [1] - For BR 652
- [2] - For BR 752
- [3] - STOCK COVERS GUARANTEE
FOR OLD MOTOR 9097638000 (LEROY SOMER)
- [4] - STOCK COVERS GUARANTEE
FOR MOTOR 9100000309 (LEROY SOMER)
- [5] - For motor code 9100001657 (AMER)
- [6] - Optional for BR 652
- [7] - Optional for BR 752
- [8] - Item 4-5-9-8-3-10-43
- [9] - Item 13-34-4-38-33-42-20
- [10] - Item 16-24-35-37
- [11] - Item 31-21-22-12-44
SEE TSB-FC-2015-034
- [12] - Item 23-28
- [13] - Item 1-19-17-18
- [14] - Item 27-19-17-18
- [15] - Item 7-30-32 for BR 652
- [16] - Item 7-30-32 for BR 752
- [17] - Item 15-11-39-36
- [18] - COMPLEXITY REDUCTION
Product Bulletin PB SD 2012-005

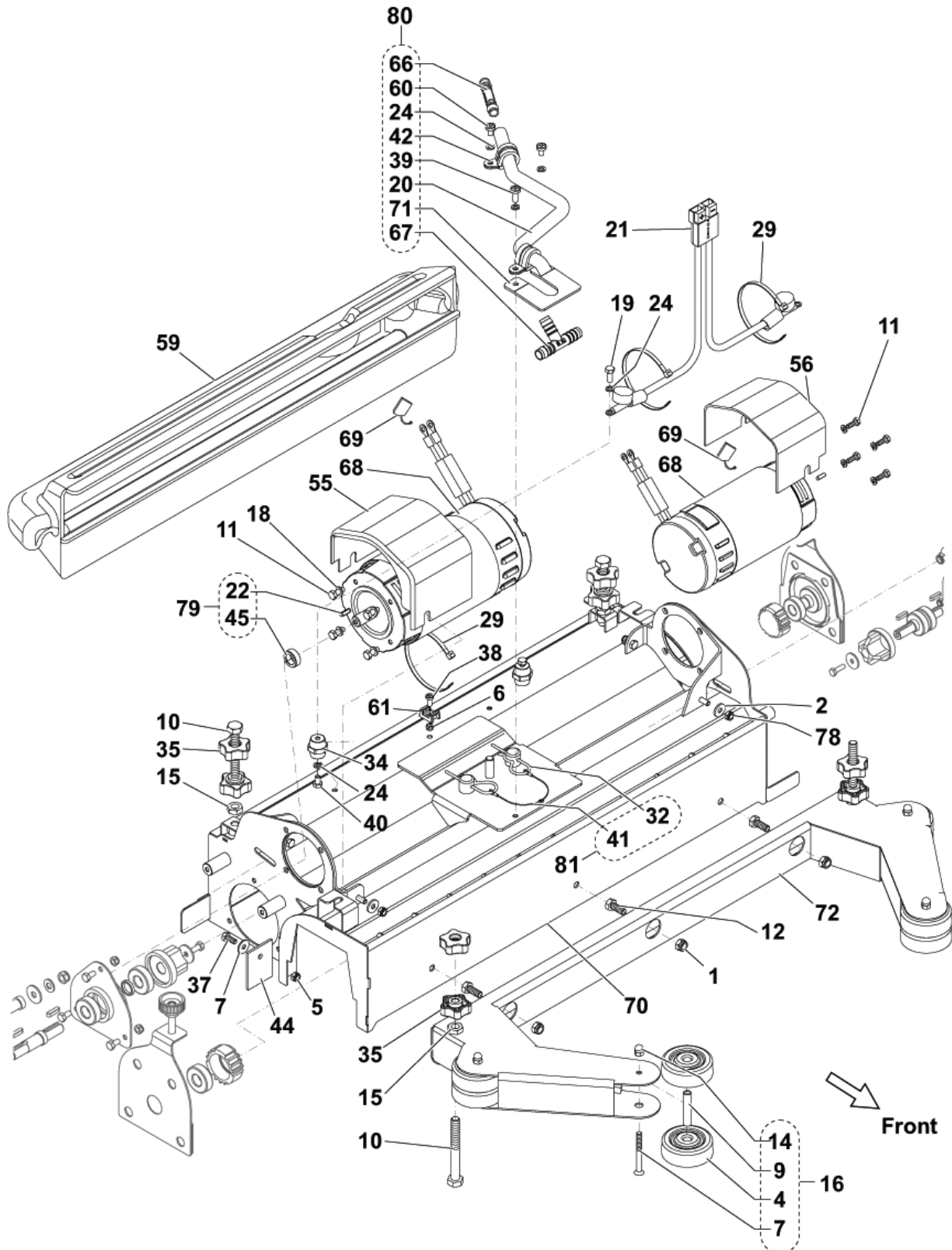


Pos.	Vare-nr	Antal	Beskrivelse	Notes
12	9097920000	1	SPACER D. 8.5X15X38	[1]
14	9097008000	6	BEARING FLANGE IGLIDUR GFM-1214-15	
15	9097197000	3	LEVER	
16	9100000902	2	BEARING FLANGE IGLIDUR 2 PCS SET	
17	9097824000	2	BUSH D.18.2X40	
18	9097835000	1	BUSH FLANGED D.35X39X47	
19	9097850000	1	SPRING DRAGGING DECK	
20	9100000903	2	WASHER THRUST GTM 3254-015 SIP	
21	9098121000	1	SPACER D.31X50X14.5 NYLON	[1]
22	9098216000	1	BUSH FLANGED D.30X38X44	
23	9098409000	1	BRACKET SUPPORT CYL.DECK	[2]
24	9098410000	1	SUPPORT JACK CYL.DECK	[1]
25	9098411000	1	BRACKET LOWER JACK MOTOR CYL.D	[3]
26	9098415000	1	PLATE SPRING SUPPORT	[1]
27	9098416000	1	PIN SUPPORT JACK MOTOR CYL.DEC	[1]
28	9100000683	1	ACTUATOR LINEAR 24V DC STRK 46MM SIP	[4]
29	9098418000	1	BRACKET ROTATING SUPPORT CYL.D	[1]
30	145 2381 000	1	BUSH	[1]
31	33005721	2	NUT RING M25X1.5 KMA8 LIGHT SERIES	
32	9098420000	1	SUPPORT ROTATING CYL.DECK	[1]
33	146 0549 000	3	Leje Til Flange	
35	9098419000	1	ARM SIDE CYLINDRICAL DECK	[1]
36	9098421000	1	ARTICULATED JOINT FOR CYL DECK	[1]
38	9098733000	1	HARDWARE CYL.BRUSH DECK SUPPORT KIT	[5]

Part Notes:

- [1] - STOCK COVERS GUARANTEE
only for BR 752C NIL
- [2] - STOCK COVERS GUARANTEE

only for BR 752C NIL
- [3] - CHANGE TO EXTERNAL VENDOR
only for BR 752C NIL
- [4] - only for BR 752C NIL
- [5] - NOT SHOWN - Item 37-34-13-5-10-4-9-6-11-2-8-3-7-1
only for BR 752C NIL



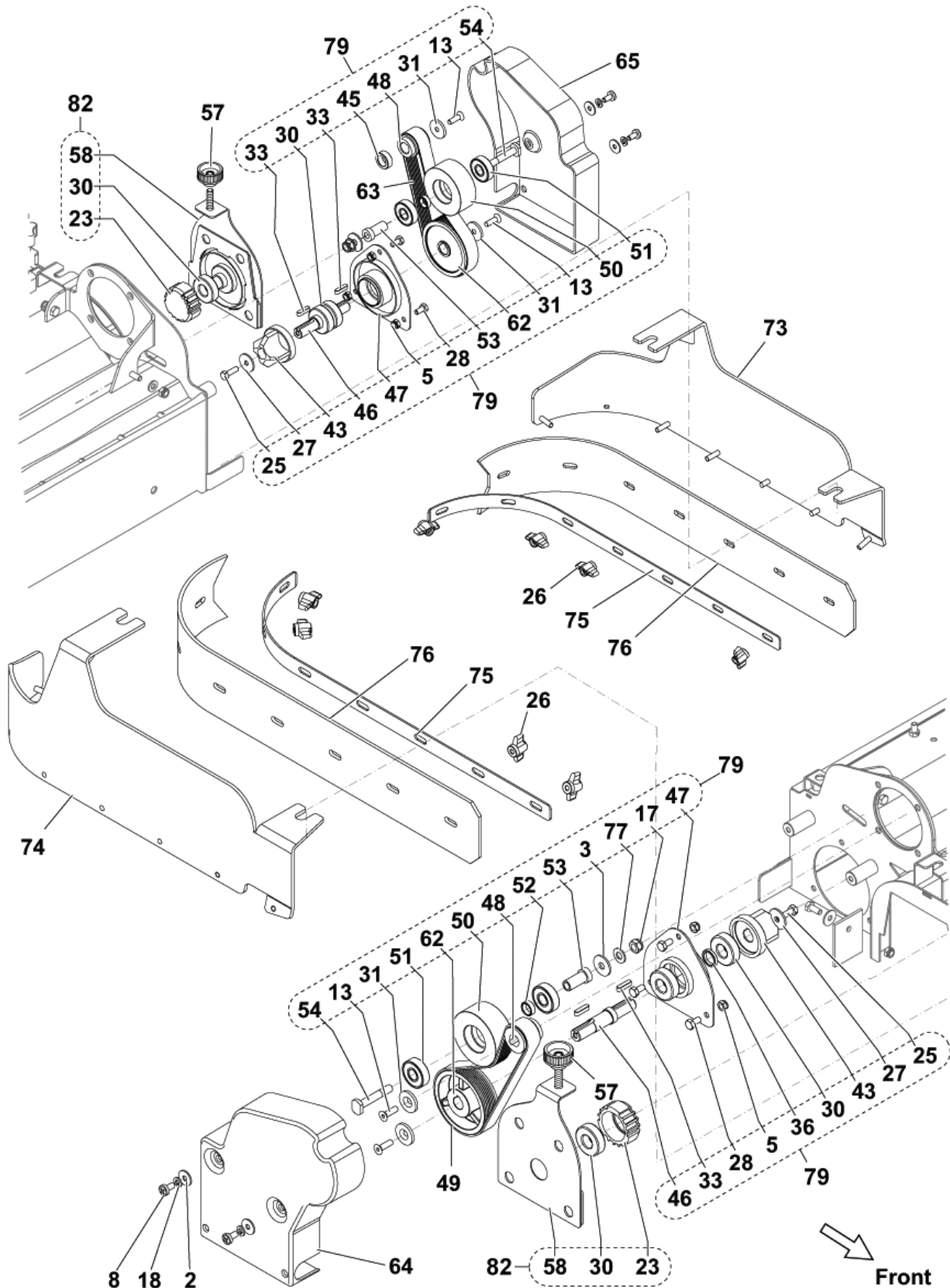
Resource notes:
83 - NOT SHOWN

Pos.	Vare-nr	Antal	Beskrivelse	Notes
16	9098736000	4	ROLLER BUMPER KIT	[1]
21	9098658000	1	HARNES CYL.DECK	[2]
21	9100002248	1	CONNECTOR 50A RED SIP	
23	56407551	2	Nav,Børste Br1100C	[3]
26	909 6356 000	2	Vingemøtrik-Sæt (2 Stk.)	
30	145 2361 000	6	BEARING BALL 6202 2RS1	
34	146 0708 000	2	INSULATOR M6 WHITE	
35	1467036000	8	KNOB LOBES M10 FEMALE PKD	
43	909 5728 000	2	HUB BRUSH	
44	909 5752 000	2	GUARD SPLASH CYL.DECK	
48	909 5758 000	2	PULLEY	
49	909 5761 000	1	Drivrem,Børste	
50	909 5762 000	2	ROLLER BELT TENSIONER	
51	9100002018	4	BEARING BALL 6201 2RS1 SIP	
55	909 5802 000	1	CRANKCASE MOTOR PROTECT.	
56	909 5803 000	1	CRANKCASE MOTOR PROTECT.	
57	909 5964 000	2	Knob M8	
59	909 6225 000	1	snavsebeholder	
61	909 6595 000	1	HOLDER.FLAT TIE	
62	909 6730 000	2	PULLEY POLY-V	
63	909 6731 000	1	Rem Poly-V	
64	909 6785 000	1	Crankcase.Belt Protection Right	
65	909 6786 000	1	Crankcase.Belt Protection Left	
68	9099858000	2	MOTOR ELECTRIC 600W 24V PKD	
69	L08603949	2	Kul Kit 4 Stk	
70	9097847000	1	FRAME CYLINDRICAL DECK 750	[4]
72	9097936000	1	PROTECTION CYL.BRUSH DECK 750	[5]
73	9097952000	1	SUPPORT CYL.DECK LEFT SIDE SKIRT	[2]
74	9097956000	1	SUPPORT CYL.DECK RIGHT SIDE SKIRT	[2]
75	9097959000	2	Plate Side Skirt Cyl.Deck	[6]
76	9097960000	2	Skirt Side Cyl.Deck	[6]
79	9098734000	2	BELT TRANSMISSION KIT	[7]
80	9098735000	1	PIPE WATER KIT	[8]
81	909 6354 000	1	SPLIT PINS W/CABLE KIT	[9]
82	9098737000	2	SUPPORT BRUSH KIT	[10]
83	9098738000	1	HARDWARE CYL.BRUSH DECK KIT	[11]

Part Notes:

- [1] - Item 14-4-9-7
only for BR 752C NIL
- [2] - STOCK COVERS GUARANTEE
only for BR 752C NIL
- [3] - EXPIRED USE 56115273
- [4] - CHANGE TO EXTERNAL VENDOR
only for BR 752C NIL
- [5] - STOCK COVERS GUARANTEE

only for BR 752C NIL
- [6] - only for BR 752C NIL
- [7] - Item 3-5-13-17-22-25-27-28-31-30-33-36-43-45-46-47-48-50-51-52-53-54-62-77
only for BR 752C NIL
- [8] - Item 20-39-42-60-66-67-71
only for BR 752C NIL
- [9] - Item 32-41
- [10] - Item 58-30-23
only for BR 752C NIL
- [11] - NOT SHOWN - Item 1-2-6-8-10-11-12-15-18-19-24-29-37-38-40-78
only for BR 752C NIL

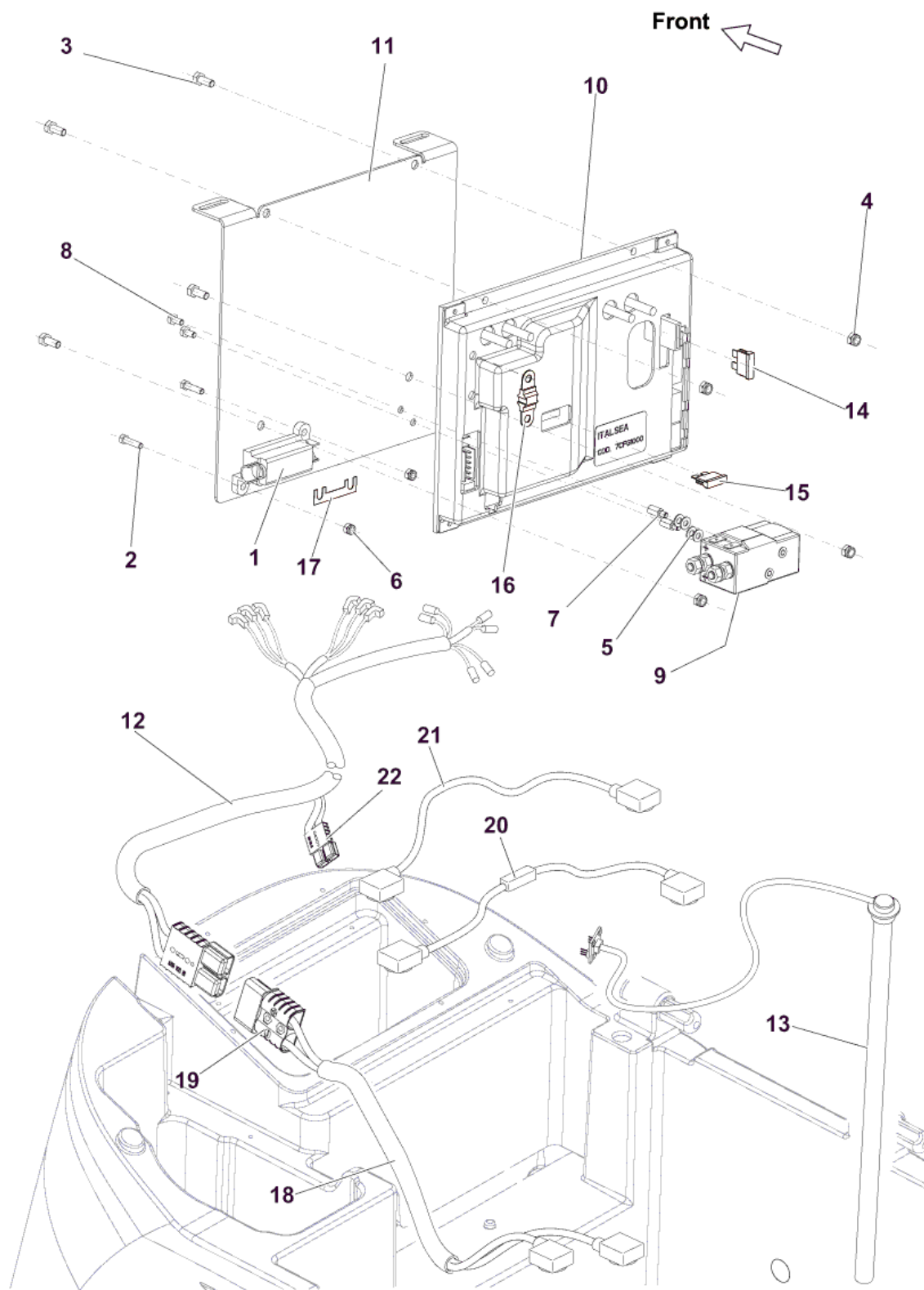


Resource notes:
83 - NOT SHOWN

Pos.	Vare-nr	Antal	Beskrivelse	Notes
16	9098736000	4	ROLLER BUMPER KIT	[1]
21	9098658000	1	HARNES CYL.DECK	[2]
21	9100002248	1	CONNECTOR 50A RED SIP	
23	56407551	2	Nav,Børste Br1100C	[3]
26	909 6356 000	2	Vingemøtrik-Sæt (2 Stk.)	
30	145 2361 000	6	BEARING BALL 6202 2RS1	
34	146 0708 000	2	INSULATOR M6 WHITE	
35	1467036000	8	KNOB LOBES M10 FEMALE PKD	
43	909 5728 000	2	HUB BRUSH	
44	909 5752 000	2	GUARD SPLASH CYL.DECK	
48	909 5758 000	2	PULLEY	
49	909 5761 000	1	Drivrem,Børste	
50	909 5762 000	2	ROLLER BELT TENSIONER	
51	9100002018	4	BEARING BALL 6201 2RS1 SIP	
55	909 5802 000	1	CRANKCASE MOTOR PROTECT.	
56	909 5803 000	1	CRANKCASE MOTOR PROTECT.	
57	909 5964 000	2	Knob M8	
59	909 6225 000	1	snavsebeholder	
61	909 6595 000	1	HOLDER.FLAT TIE	
62	909 6730 000	2	PULLEY POLY-V	
63	909 6731 000	1	Rem Poly-V	
64	909 6785 000	1	Crankcase.Belt Protection Right	
65	909 6786 000	1	Crankcase.Belt Protection Left	
68	9099858000	2	MOTOR ELECTRIC 600W 24V PKD	
69	L08603949	2	Kul Kit 4 Stk	
70	9097847000	1	FRAME CYLINDRICAL DECK 750	[4]
72	9097936000	1	PROTECTION CYL.BRUSH DECK 750	[2]
73	9097952000	1	SUPPORT CYL.DECK LEFT SIDE SKIRT	[2]
74	9097956000	1	SUPPORT CYL.DECK RIGHT SIDE SKIRT	[2]
75	9097959000	2	Plate Side Skirt Cyl.Deck	[5]
76	9097960000	2	Skirt Side Cyl.Deck	[5]
79	9098734000	2	BELT TRANSMISSION KIT	[6]
80	9098735000	1	PIPE WATER KIT	[7]
81	909 6354 000	1	SPLIT PINS W/CABLE KIT	[8]
82	9098737000	2	SUPPORT BRUSH KIT	[9]
83	9098738000	1	HARDWARE CYL.BRUSH DECK KIT	[10]

Part Notes:

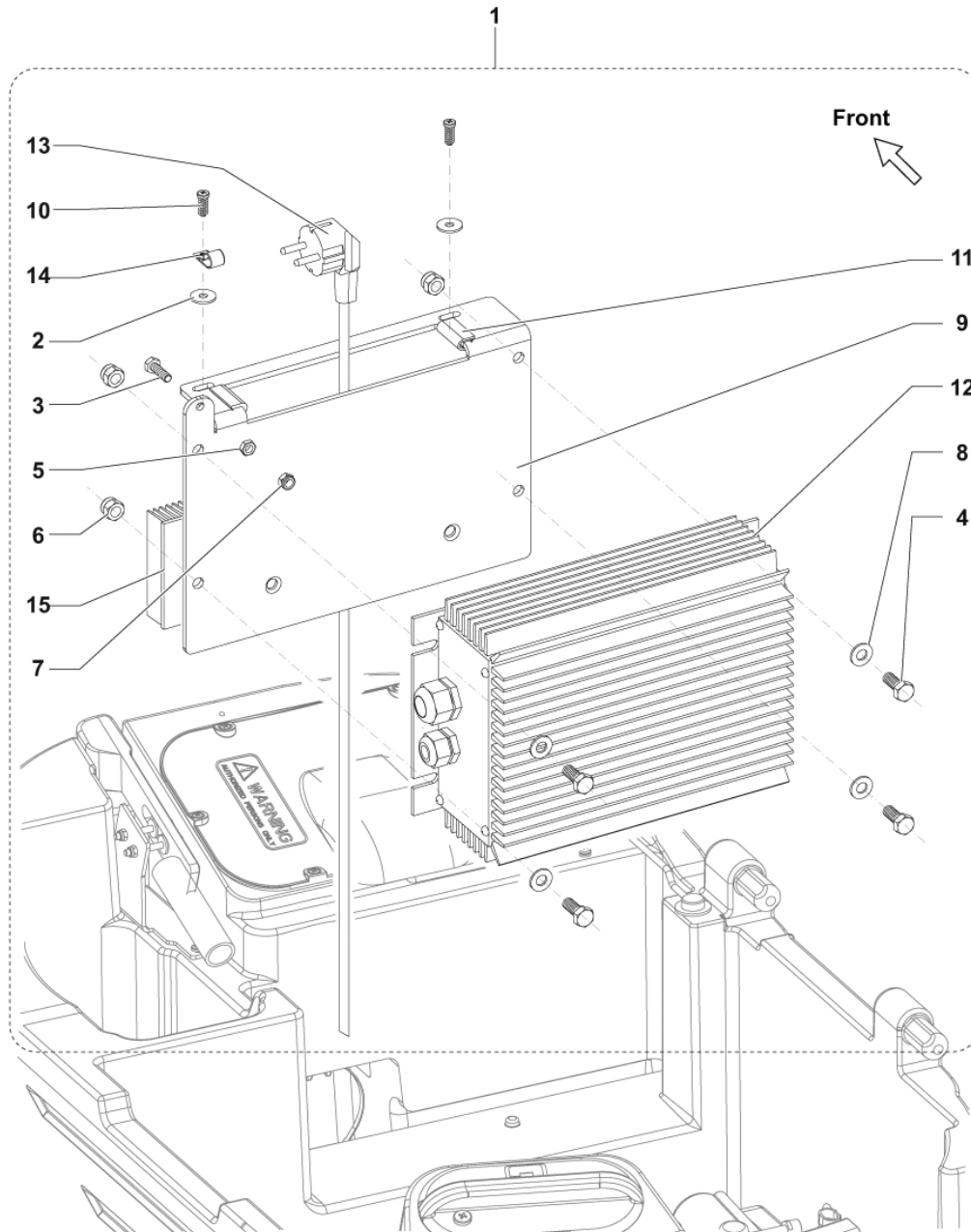
- [1] - Item 14-4-9-7
only for BR 752C NIL
- [2] - STOCK COVERS GUARANTEE
only for BR 752C NIL
- [3] - EXPIRED USE 56115273
- [4] - CHANGE TO EXTERNAL VENDOR
only for BR 752C NIL
- [5] - only for BR 752C NIL
- [6] - Item 3-5-13-17-22-25-27-28-31-30-33-36-43-45-46-47-48-50-51-52-53-54-62-77
only for BR 752C NIL
- [7] - Item 20-39-42-60-66-67-71
only for BR 752C NIL
- [8] - Item 32-41
- [9] - Item 23-33-58
only for BR 752C NIL
- [10] - NOT SHOWN - Item 1-2-6-8-10-11-12-15-18-19-24-29-37-38-40-78
only for BR 752C NIL



Pos.	Vare-nr	Antal	Beskrivelse	Notes
1	145 8046 000	1	Säkeringshållare	
9	9097208000	1	Vacum Relæ 24V	
10	9100000183	1	CARD ELECTRONIC TRACTION/FUNCTIONS KIT	[1]
10	9100000024	1	CARD ELECTRONIC TRACTION KIT	[2]
11	9097860000	1	PLATE FIXING ELECTRONIC CARD	
12	9098190000	1	HARNESS EL.COMPON.BOX	[3]
12	9099681000	1	HARNESS ELECTRICAL COMPONENTS BOX	[4]
13	9100001447	1	SENSOR PRESSURE KIT	
14	9100000878	1	FUSE BLADE 3A SIP	
15	145 9853 000	1	Sikring 15 A, Sw700S	
16	9100000877	1	FUSE MIDIFUSE 100A SIP	
17	145 9854 000	1	Fuse	
18	9100001956	1	HARNESS BATTERY KIT	
19	9100002117	2	CONNECTOR RED 120A PKD	
20	9098526000	1	CABLE BATTERY WITH FUSE	
21	9097590000	1	Batteri Kabel	
22	9100002248	1	CONNECTOR 50A RED SIP	
23	9098739000	1	HARDWARE ELECTRIC COMPONENTS KIT	[5]

Part Notes:

- [1] - Only to mach with 9097834000 (Drive Wheel) - UNTIL S/N 3510133204430
- [2] - SEE TSB-FC-2013-117
STARTING FROMS/N 3510133204431
SEE INST. INSTR. 9100000100
- [3] - UNTIL S/N 3510122204473 - SEE TSB IT 2012-087
- [4] - STARTING FROM S/N 3510122204474 - SEE TSB IT 2012-087
- [5] - NOT SHOWN - Item 2-3-4-5-6-7-8



Resource notes:

FOR ITEMS 9099680000 - SEE TSB IT 2012-088 TSB IT 2012-088. New On Board Charger

BATTERY CHARGER

BR 752

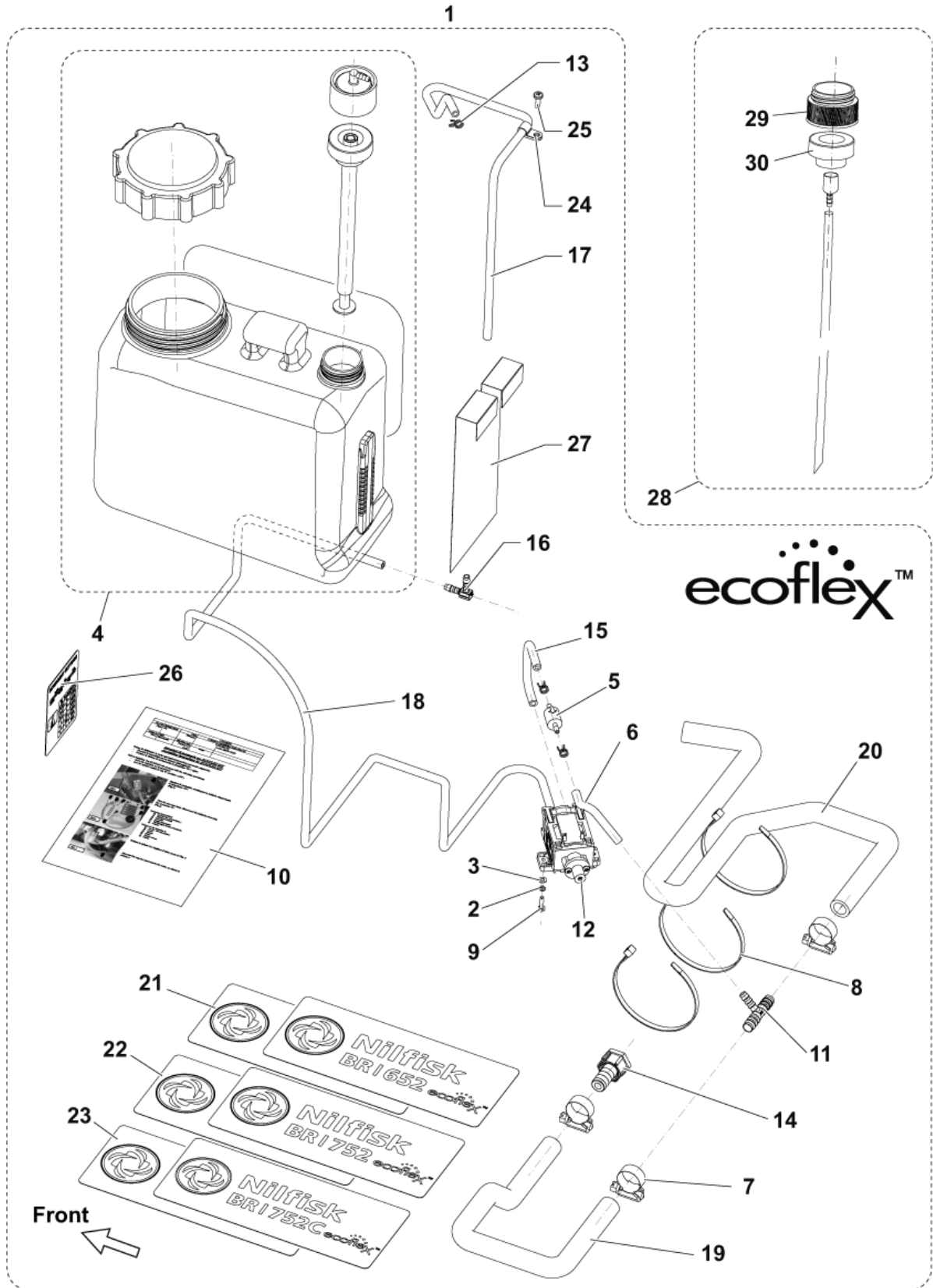
2015.05.19

2016.10.24

Pos.	Vare-nr	Antal	Beskrivelse	Notes
1	9098198000	1	Indbygget oplader kit	[1]
9	9100000661	1	PLATE BATTERY CHARGER SIP	
12	9099680000	1	INDBYGGET OPLADER 24V 20A	[2]
13	1466318000	1	CABLE EXTENSION UK PLUG L.2000MM SIP	
13	9100000787	1	CABLE EXTENSION EU PLUG L.2000 PKD	
15	9098859000	1	HEATSINK	

Part Notes:

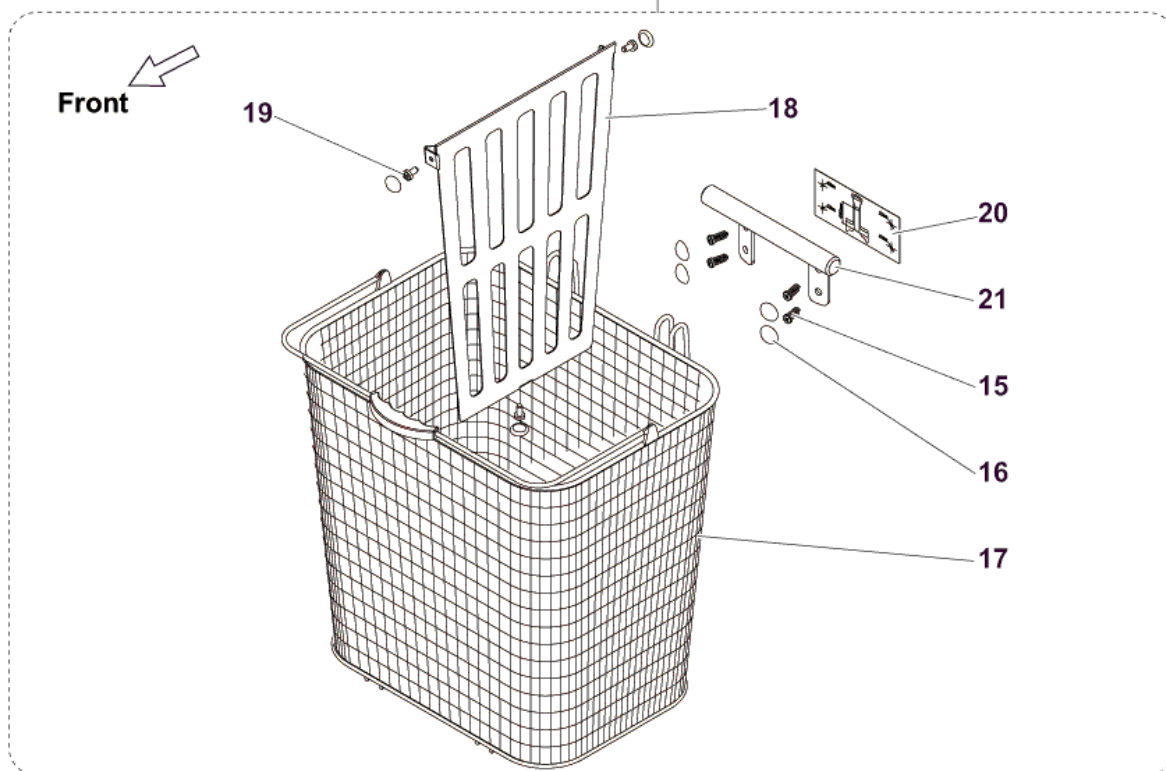
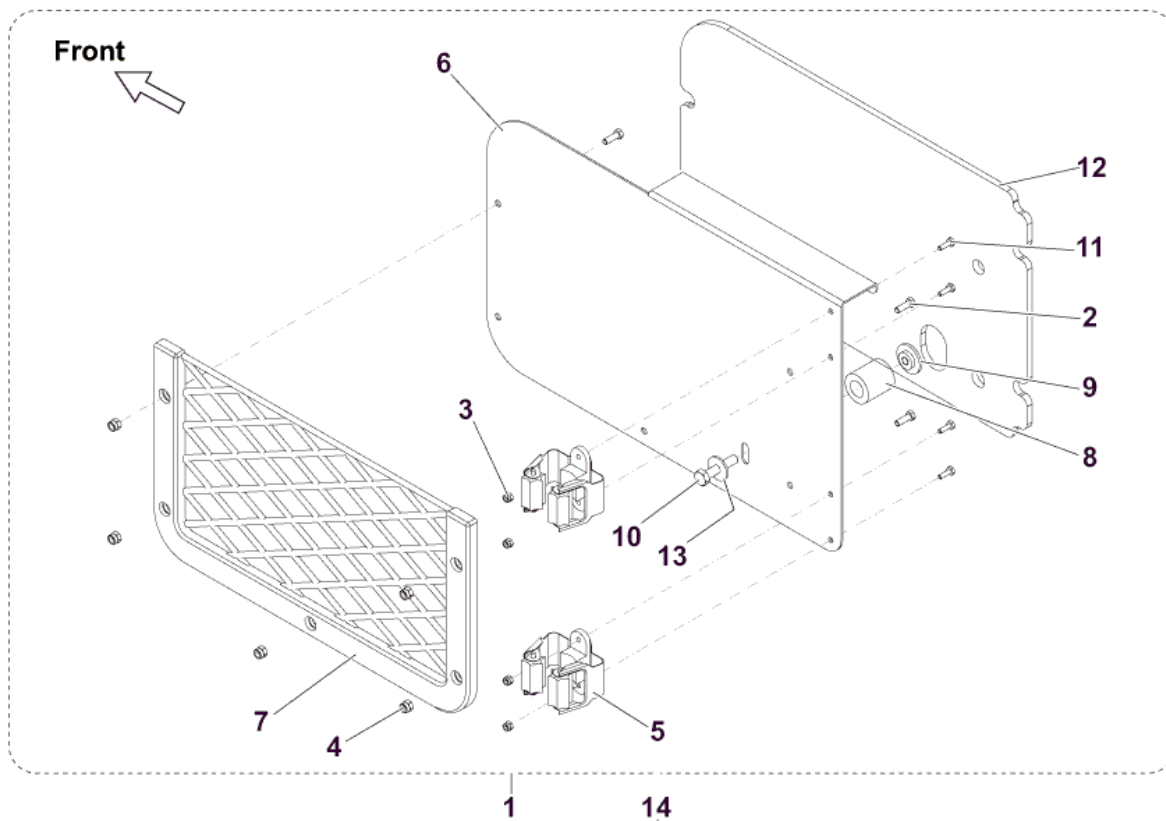
- [1] - Optional - See Inst.Instr. 9098215000
- [2] - SEE TSB IT 2012-088



Pos.	Vare-nr	Antal	Beskrivelse	Notes
1	9097818000	1	Ecoflex kit	[1]
4	909 6903 000	1	Ecoflex Kemibeholder Kit	
5	56315522	1	Check Valve 1/8 Barb 12.5Psi	
12	9100001819	1	PUMP CHEMICAL MIX KIT	
28	9098025000	1	Detergent adapter kit	[2]
29	9097023000	1	Adapter For Reng. Tank	
30	9097022000	1	Niveauføler	
31	9099948000	1	HOSES ECOFLEX SYSTEM KIT	[3]

Part Notes:

- [1] - Optional - Inst.Instr. 9098219000
- [2] - Optional
- [3] - NOT SHOWN - Item 2-6-7-8-11-13-14-15-16-17-18-19-20-24-25



MOP AND TRASH KIT - BASKET KIT

BR 752

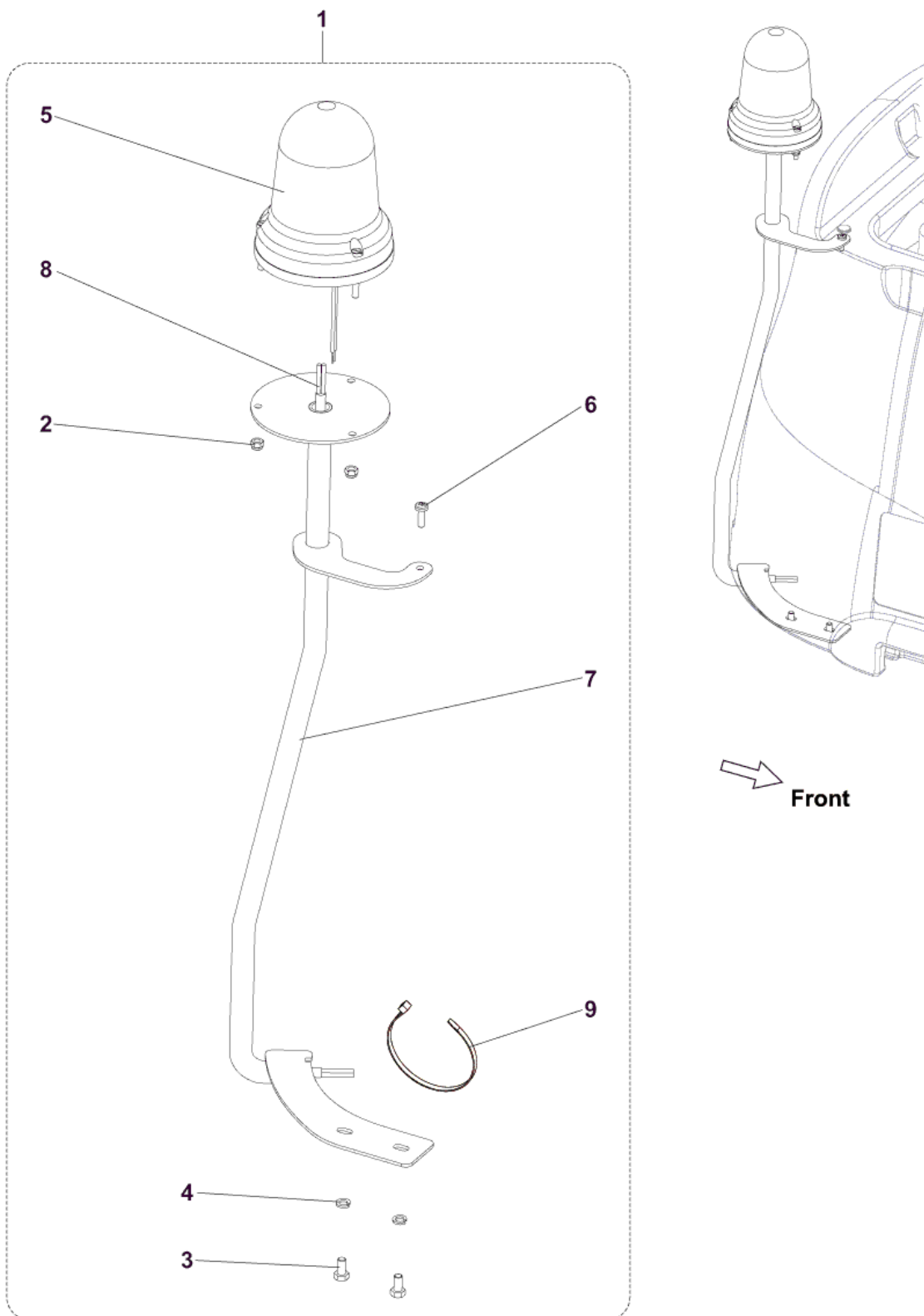
2015.05.19

2016.10.24

Pos.	Vare-nr	Antal	Beskrivelse	Notes
1	9097815000	1	Moppe kit (holder til moppe og klude)	[1]
5	9100002118	2	HOLDER BROOM SIP	
7	9097947000	1	NET DOCUMENT HOLDER	
14	9098480000	1	Affaldskurv kit	[1]
17	9098250000	1	BASKET	

Part Notes:

[1] - Optional



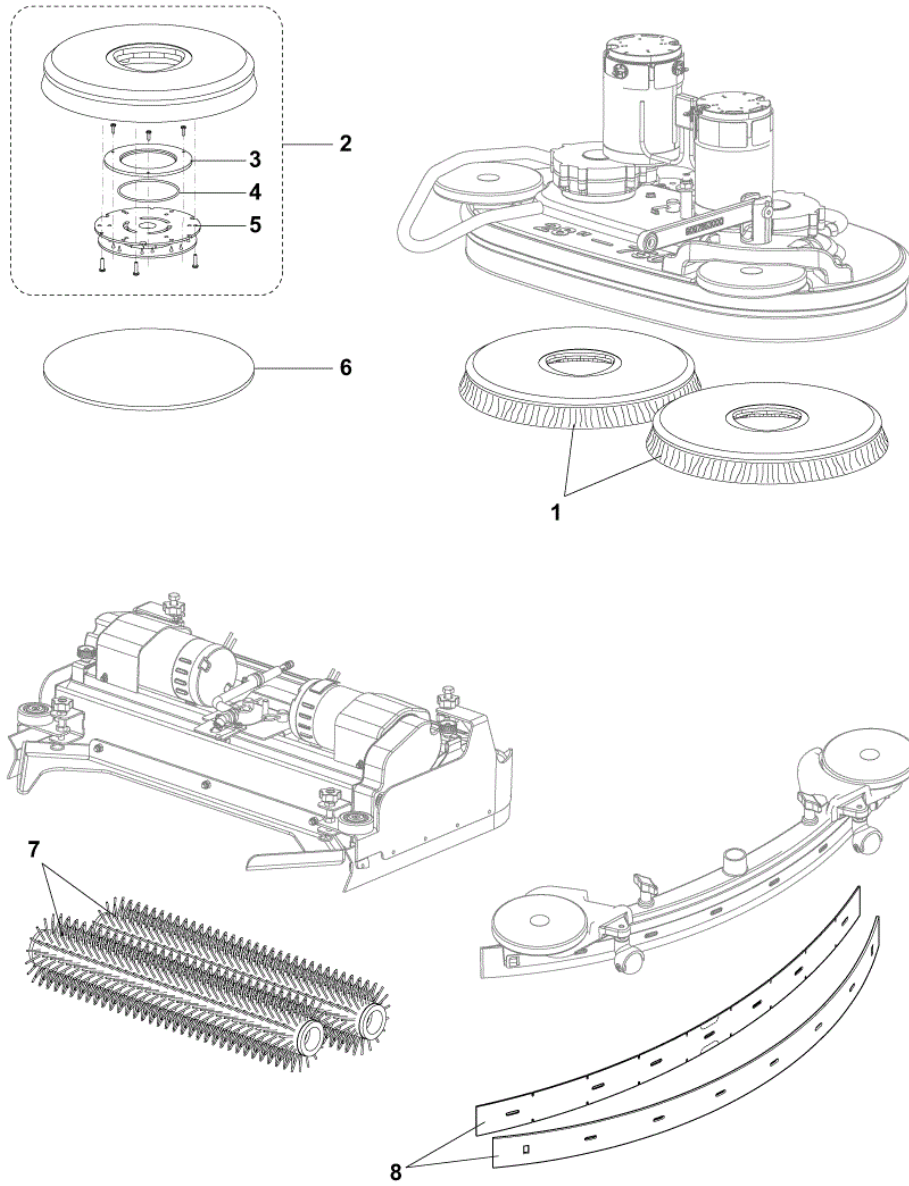
Resource notes:

10 - NOT SHOWN

Pos.	Vare-nr	Antal	Beskrivelse	Notes
1	9098164000	1	Advarselsblink kit	[1]
5	33023155	1	BEACON FLASHING SIP	
10	9098772000	1	Lydsænker til bakalarm	[2]

Part Notes:

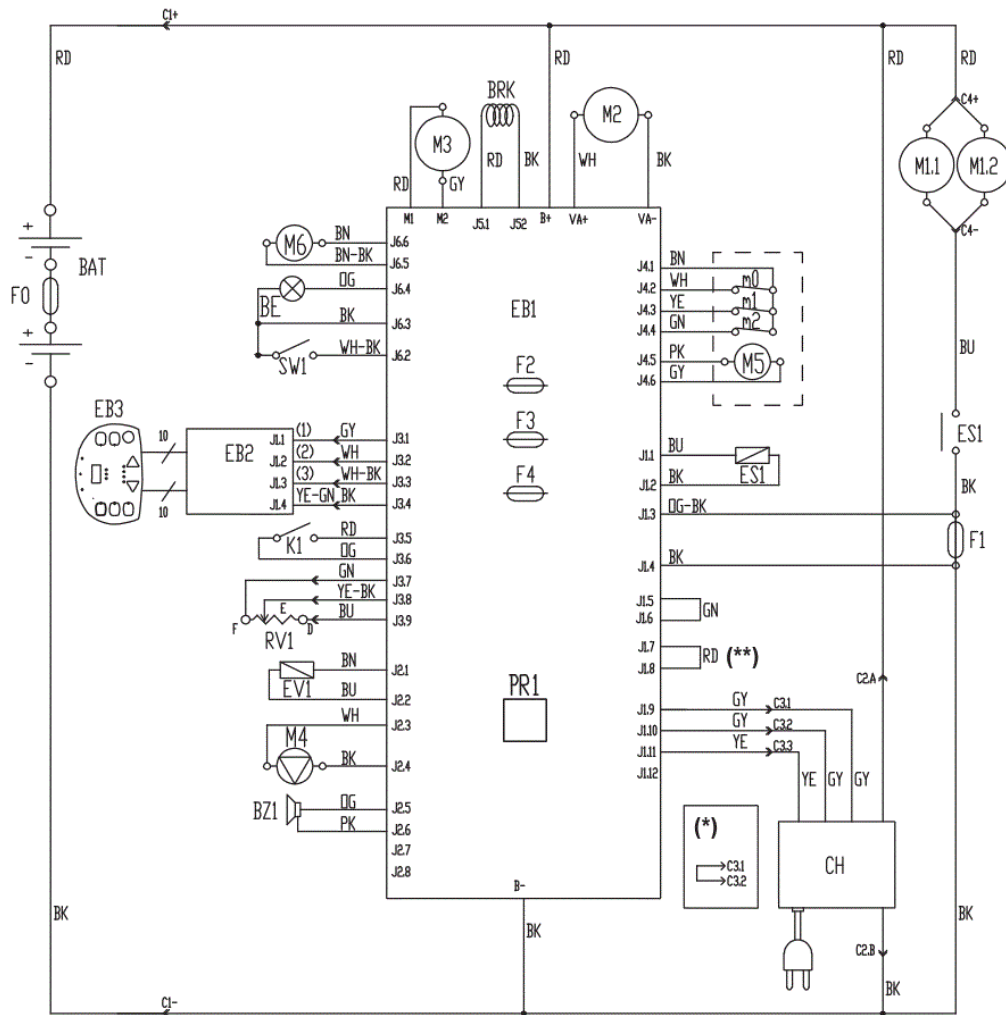
- [1] - Optional
- [2] - Optional - Inst.Instr. 9098773000



Pos.	Vare-nr	Antal	Beskrivelse	Notes
1	909 5336 000	2	Børste Midlite Grit 240 13" Ø330 mm	[1]
1	909 5333 000	2	Børste Prolene 14,5" Ø370 mm	[1]
1	909 5340 000	2	Børste Union Mix 13" Ø330 mm	[1]
1	909 5335 000	2	Børste Mid Grit 180 14,5" Ø370 mm	[1]
1	909 5338 000	2	Børste Prolite 13" Ø330 mm	[1]
1	909 5332 000	2	Børste Prolene 13" Ø330 mm	[1]
1	909 5337 000	2	Børste Midlite Grit 240 14,5" Ø370 mm	[1]
1	909 5339 000	2	Børste Prolite 14,5" Ø370 mm	[1]
1	909 5334 000	2	Børste Mid Grit 180 13" Ø330 mm	[1]
2	909 5330 000	2	Rondelholder 13" Ø330 mm	[1]
2	909 5331 000	2	Rondelholder 14" Ø355 mm	[1]
3	L08603936	1	RING NYLON	
4	L08603965	1	O-RING 2.62X82.22 -3325-NBR 40SH	
5	56505195	1	Rondellås Lynkobling	
6	10001915	2	Eco Pad hvid 13" Ø330 mm (5 stk.)	[1]
6	10001921	2	Eco Pad hvid 14" Ø355 mm (5 stk.)	[1]
6	10001912	2	Eco Pad brun 13" Ø330 mm (5 stk.)	[1]
6	10001919	2	Eco Pad grøn 14" Ø355 mm (5 stk.)	[1]
6	10001918	2	Eco Pad brun 14" Ø355 mm (5 stk.)	[1]
6	10001917	2	Eco Pad blå 14" Ø355 mm (5 stk.)	[1]
6	10001916	2	Eco Pad sort 14" Ø355 mm (5 stk.)	[1]
6	10001920	2	Eco Pad rød 14" Ø355 mm (5 stk.)	[1]
6	10001914	2	Eco Pad rød 13" Ø330 mm (5 stk.)	[1]
6	10001911	2	Eco Pad blå 13" Ø330 mm (5 stk.)	[1]
6	10001910	2	Eco Pad sort 13" Ø330 mm (5 stk.)	[1]
7	56412192	2	Cylinderbørste nylon 710 mm	[1]
7	56412046	2	Cylinderbørste polypropylen 710 mm	[1]
7	56412193	2	Cylinderbørste Grit 180 grå/blå 710 mm	[1]
8	9099211000	1	Sugegummi kit rød Gum 35" 890 mm	[1]
8	9097804000	1	Sugegummi kit Gum 35" 890 mm	[1]

Part Notes:

[1] - OPTIONAL



Pos.	Vare-nr	Antal	Beskrivelse	Notes
BE	33023155		BEACON FLASHING SIP	
BRK	9098626000		Brake Electric.Released	
BZ1	909 6126 000		BUZZER 5-32V	
C1	9100002117		CONNECTOR RED 120A PKD	
C4	9100002248		CONNECTOR 50A RED SIP	
CH	9099680000		INDBYGGET OPLADER 24V 20A	
EB1	9100000024		CARD ELECTRONIC TRACTION KIT	
EB2	9100000178		CARD ELECTRONIC FUNCTIONS KIT	
EB3	9097986000		Panelprint	
ES1	9097208000		Vacum Relæ 24V	
EV1	909 6555 000		Solenoid Valve 24V	
F1	145 9854 000		Fuse	
F2	9100000877		FUSE MIDIFUSE 100A SIP	
F3	9100000878		FUSE BLADE 3A SIP	
F4	145 9853 000		Sikring 15 A, Sw700S	
K1	9100001354		SWITCH KEY WITH CAP PKD	
M1.1,2	9100001657		REDUCTION GEARMOTOR 400W 24V KIT	
M1.1,2	9099858000		MOTOR ELECTRIC 600W 24V PKD	
M2	9099929000		MOTOR VACUUM 3ST 24V 420W KIT	
M3	9100002163		MOTOR ELECTRIC 300W 24V KIT	
M4	9100001819		PUMP CHEMICAL MIX KIT	
M5	9100000681		ACTUATOR LINEAR 24V DC STRK 66MM PKD	
M5	9100000683		ACTUATOR LINEAR 24V DC STRK 46MM SIP	
M6	9100000682		ACTUATOR LINEAR 24V DC STRK 100MM PKD	
PR1	9100001447		SENSOR PRESSURE KIT	
RV1	9100001420		PEDAL SPEED CONTROL SIP	
SW1	9100001152		MICROSWITCH SIP	

RECOMMENDED SPARE PARTS

BR 752

2014.11.27

2017.03.31

Pos.	Vare-nr	Antal	Beskrivelse	Notes
WP	9098716000	1	CARBON BRUSH 2 PCS SET	
WP	9099855000	1	Sugegummi kit polyurethan 35" 890 mm	
WP	909 5224 000	1	Børsteinddækningsæt, 650 mm	
WP	909 5345 000	1	Børsteinddækningsæt, 750 mm	
WP	9097960000	2	Skirt Side Cyl.Deck	
OM	910000703	1	Påfyldningsslange	
OM	9100001890	1	HOSE DRAIN BLACK PKD	
OM	9098169000	1	Sugeslange	
OM	9098172000	1	GASKET BULB RUBBER L.1235MM PKD	
OM	9098407000	1	WHEEL DRIVE	
OM	9098627000	1	CARBON BRUSH 2 PCS SET	
OM	9098115000	1	Filter Water	
OM	9099163000	2	Castor Hjul D42	
OM	9100000772	2	WHEEL D.254 80SH GREY PKD	
OM	909 5380 000	2	Carbon Brush Kit	[1]
OM	909 5761 000	1	Drivrem,Børste	
OM	909 6731 000	1	Rem Poly-V	
OM	L08603949	2	Kul Kit 4 Stk	
OM	9098734000	2	BELT TRANSMISSION KIT	
EOM	9098224000	1	Muff Fresh Water	
EOM	9098709000	1	Prop påfyldning kit	
EOM	9100001152	1	MICROSWITCH SIP	
EOM	9099929000	1	MOTOR VACUUM 3ST 24V 420W KIT	
EOM	9098177000	1	CABLE SAFETY F TANK	
EOM	909 6380 000	1	Slangeklemme Kit	
EOM	9097796000	1	LEVER BLOCK STEERING WHEEL	
EOM	9100001420	1	PEDAL SPEED CONTROL SIP	
EOM	9100000178	1	CARD ELECTRONIC FUNCTIONS KIT	
EOM	9097986000	1	Panelprint	
EOM	9100001354	1	SWITCH KEY WITH CAP PKD	
EOM	146 2887 000	1	Nøgle (2 Pcs) Ba510Sd	
EOM	9097792000	1	Cable Dashboard Extension	
EOM	9098094000	1	Harness Rat	
EOM	9098430000	1	HARNES WHEEL MOTOR	
EOM	9098626000	1	Brake Electric.Released	
EOM	9100002163	1	MOTOR ELECTRIC 300W 24V KIT	
EOM	909 6555 000	1	Solenoid Valve 24V	
EOM	9098380000	1	STRAP FRONT SQUEEGEE 35 INC	
EOM	9098381000	1	STRAP SKIRT REAR RIGHT 35 INC.	
EOM	9098382000	1	STRAP SKIRT REAR LEFT 35 INC	
EOM	9098390000	1	Support Squeegee Down	
EOM	9097827000	1	Support Squeegee Upper	
EOM	9100001090	2	ROD EYE M10 PKD	
EOM	9100000682	1	ACTUATOR LINEAR 24V DC STRK 100MM PKD	
EOM	9098708000	1	SQUEEGEE LIFTING KIT	
EOM	9098722000	1	CENTRING SQUEEGEE KIT	
EOM	909 6394 000	1	Latch Squeegee Kit	
EOM	1466146000	2	KEY 5X5X25 UNI6604A PKD	
EOM	9100001657	2	REDUCTION GEARMOTOR 400W 24V KIT	
EOM	9097640000	1	HOLDER POLYGONAL RIGHT KIT	
EOM	9097639000	1	HOLDER POLYGONAL LEFT KIT	
EOM	9097850000	1	SPRING DRAGGING DECK	
EOM	9100000681	1	ACTUATOR LINEAR 24V DC STRK 66MM PKD	
EOM	9097851000	1	Fjeder for børste deck	
EOM	9097813000	1	GUIDE DRAGGING DECK	
EOM	9100000683	1	ACTUATOR LINEAR 24V DC STRK 46MM SIP	
EOM	909 6356 000	2	Vingemøtrik-Sæt (2 Stk.)	
EOM	9099858000	2	MOTOR ELECTRIC 600W 24V PKD	
EOM	9098737000	2	SUPPORT BRUSH KIT	

RECOMMENDED SPARE PARTS

BR 752

2014.11.27

2017.03.31

Pos.	Vare-nr	Antal	Beskrivelse	Notes
EOM	9097208000	1	Vacum Relæ 24V	
EOM	9100000024	1	CARD ELECTRONIC TRACTION KIT	
EOM	9100001447	1	SENSOR PRESSURE KIT	
EOM	9100000878	1	FUSE BLADE 3A SIP	
EOM	145 9853 000	1	Sikring 15 A, Sw700S	
EOM	9100000877	1	FUSE MIDIFUSE 100A SIP	
EOM	145 9854 000	1	Fuse	
EOM	9100002117	1	CONNECTOR RED 120A PKD	
EOM	9099680000	1	INDBYGGET OPLADER 24V 20A	
EOM	9100000787	1	CABLE EXTENSION EU PLUG L.2000 PKD	
EOM	9098658000	1	HARNES CYL.DECK	[1]
EOM	9098374000	1	HARNES BRUSH DECK	

Part Notes:

[1] - STOCK COVERS GUARANTEE

