

# PARTS LIST

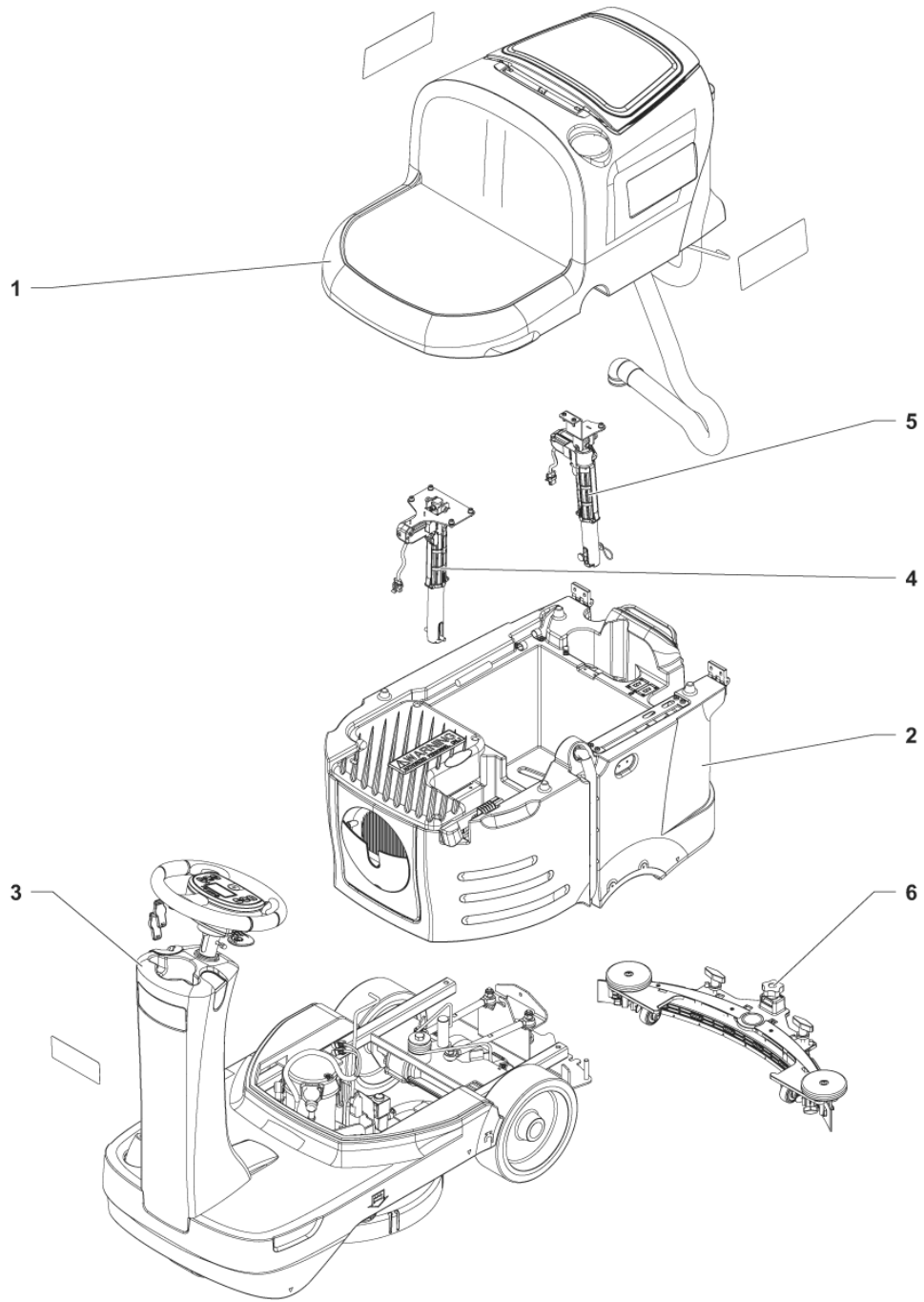


2017.08.01

# TABLE OF CONTENTS

---

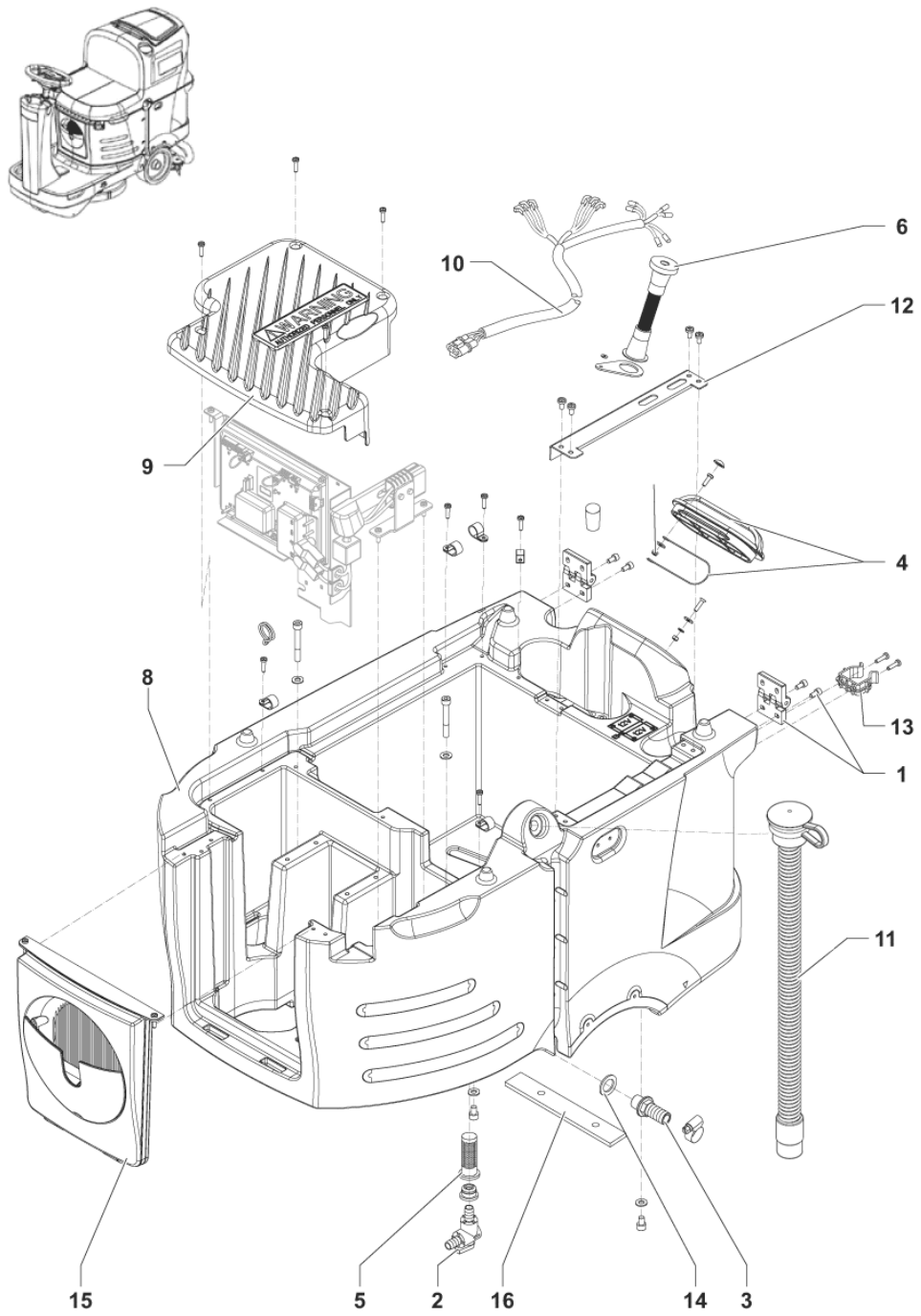
PL GENERAL VIEW .....	1
PL SOLUTION TANK .....	3
PL RECOVERY TANK .....	5
PL FOOTBOARD, COLUMN AND KEY HOUSING .....	7
PL CHASSIS .....	9
PL MOTOR DRIVE .....	11
PL FRONT WHEEL SYSTEM .....	13
PL STEERING COLUMN SYSTEM .....	15
PL STEERING WHEEL .....	17
PL SOLUTION SYSTEM .....	19
PL ACTUATORS .....	21
PL SQUEEGEE SYSTEM .....	23
PL BRUSH DECK .....	25
PL ELECTRICAL SYSTEM .....	27
PL BATTERY CHARGER .....	29
PL CHEMICAL MIXING SYSTEM .....	31
PL ACCESSORIES 01 .....	33
PL ACCESSORIES 02 .....	35
PL ACCESSORIES 03 .....	37
PL WIRING DIAGRAM .....	39
PL RECOMMENDED PARTS .....	41



Pos.	Vare-nr	Antal	Beskrivelse	Notes
1		1	RECOVERY ASSEMBLY ASSIEME	[1]
2		1	SOLUTION NILFISK ASSEMBLY	[2]
3		1	BODY MACHINE NILFISK ASSEMBLY	[3]
4		1	ACTUATOR FRONT ASSEMBLY	[4]
5		1	ACTUATOR REAR ASSEMBLY	[4]
6		1	SQUEEGEE ASSEMBLY	[5]

## Part Notes:

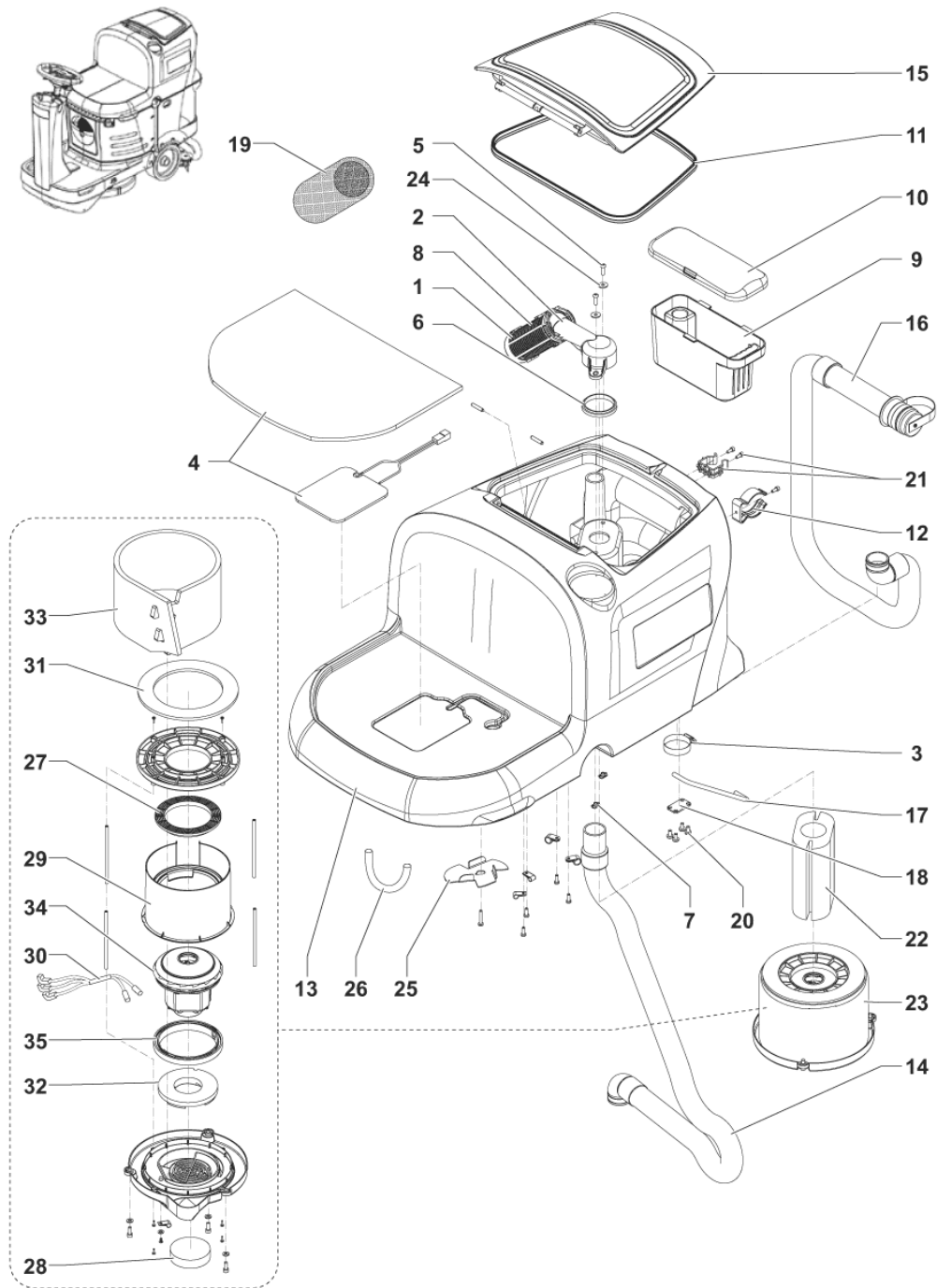
- [1] - PL RECOVERY TANK
- [2] - PL SOLUTION TANK
- [3] - PL CHASSIS
- [4] - PL ACTUATORS
- [5] - PL SQUEEGEE SYSTEM



Pos.	Vare-nr	Antal	Beskrivelse	Notes
1	9098329000	1	Hinges Kit	
2	9100000803	1	VALVE ELBOW PKD	
3	9100000574	1	BARB HOSE STRAIGHT D.19.8 G1/2 PLAST KIT	
4	1465355000	1	CAP SOLUTION TANK KIT	
5	9100001353	1	FILTER SOLUTION TANK PKD	[1]
6	9100000952	1	Påfyldningsslange	[2]
8	9100001855	1	TANK SOLUTION 70 LT PLAST. BLUE KIT	[3]
8	9100001854		TANK SOLUTION 70 LT PLAST. BLUE SIP	
9	9100001102	1	COVER BATTERY CHARGER SIP	
10	9100001120	1	HARNESS TANK SIP	
11	9100001578	1	HOSE FRESH WATER LEVEL KIT	[4]
12	9100001129	1	SUPPORT F SAFETY BAR SIP	
13	9100001164	1	CLAMP HOSE D.40 BLACK KIT	
14	9100001139	2	GASKET RUBBER D.21X33X2.5 BLACK SIP	
15	9100001182	1	COVER FUNCTIONS CARD KIT	
16	9100001150	1	PROTECTION RUBBER ADHESIVE F TANK SIP	

## Part Notes:

- [1] - OPTIONAL
- [2] - OPTIONAL - SEE INST. INSTR. 9100001072
- [3] - BEFORE S/N 3510163404521
- [4] - SEE INST. INSTR. 9100001577

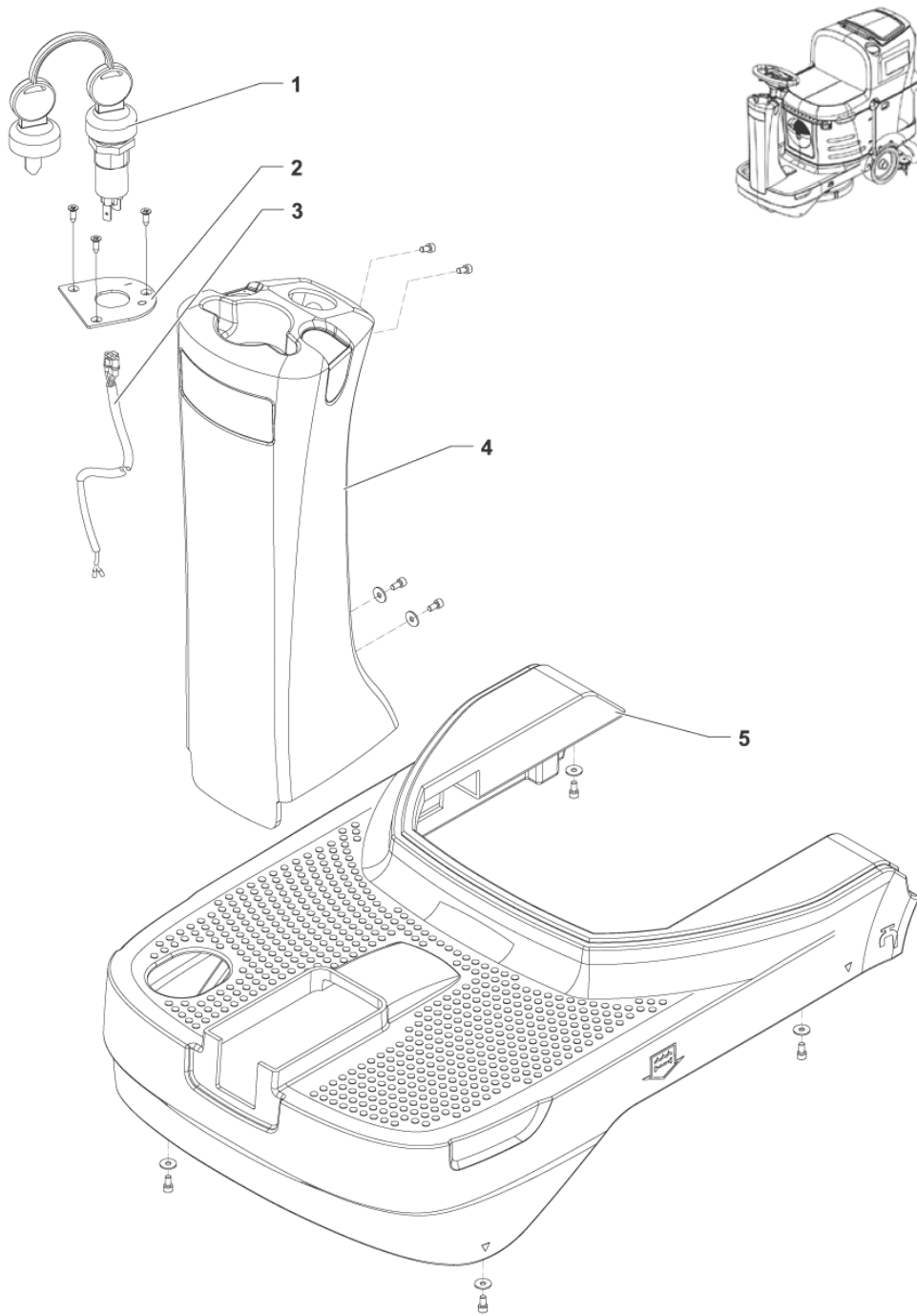


Pos.	Vare-nr	Antal	Beskrivelse	Notes
1	9100000817	1	BALL FLOATING PKD	
3	9100001348	1	CLAMP 14/32-52 10 PCS SET	
4	9100001130	1	CUSHION SEAT ADHESIVE KIT	
6	9100000928	1	GASKET FLOAT SUPPORT PKD	
8	9100000818	1	CAGE FLOAT HALF 2 PCS SET	
9	9100001091	1	TRAY DEBRIS SIP	
10	9100001092	1	COVER TRAY DEBRIS SIP	
12	909 6380 000	1	Slangeklemme Kit	
13	9100001135	1	TANK RECOVERY 70 LT BLUE SIP	
14	9100001106	1	HOSE SUCTION SQUE. 90 BLACK L.1120MM SIP	
15	9100001511	1	COVER RECOVERY TANK KIT	[1]
16	9100001113	1	HOSE DRAIN L.1427MM 90 BLACK PKD	
19	909 5065 000	1	Anti-skumfilter	[2]
21	9100001164	1	CLAMP HOSE D.40 BLACK KIT	
22	9100001143	1	SOUNDPROOFING UPPER VACUUM MOTOR SIP	
23	9100001181	1	MOTOR VACUUM 24V 310W KIT	
23	9100000957	1	High Power sugemotor kit 24V 450W	[3]
25	9100001146	1	PLATE HARNESS PROTECTION SIP	
26	9100001154	1	HOSE CORRUGATED BLACK D.6 L.150MM SIP	
29	9100000822	1	SUPPORT INT. INSULATION VAC. MOTOR SIP	
30	9100001116	1	HARNESS VACUUM MOTOR SIP	
33	9100001142	1	SOUNDPROOFING VACUUM MOTOR SIP	
34	9100001144	1	MOTOR VACUUM 24V 310W PKD	
K1	9100001875	1	SUPPORT FLOAT KIT	[4]
K2	9100001165	1	BAR SAFETY F TANK KIT	[5]
K3	9100001166	1	GASKETS VACUUM MOTOR KIT	[6]

Part Notes:

- [1] - With GasketItem No.11
- [2] - OPTIONAL
- [3] - OPTIONAL - SEE INST. INSTR. 9100000968
- [4] - POS. 2-5-6-7-24
- [5] - POS. 17-18-20
- [6] - POS. 27-28-32-32-35





# PL FOOTBOARD, COLUMN AND KEY HOUSING

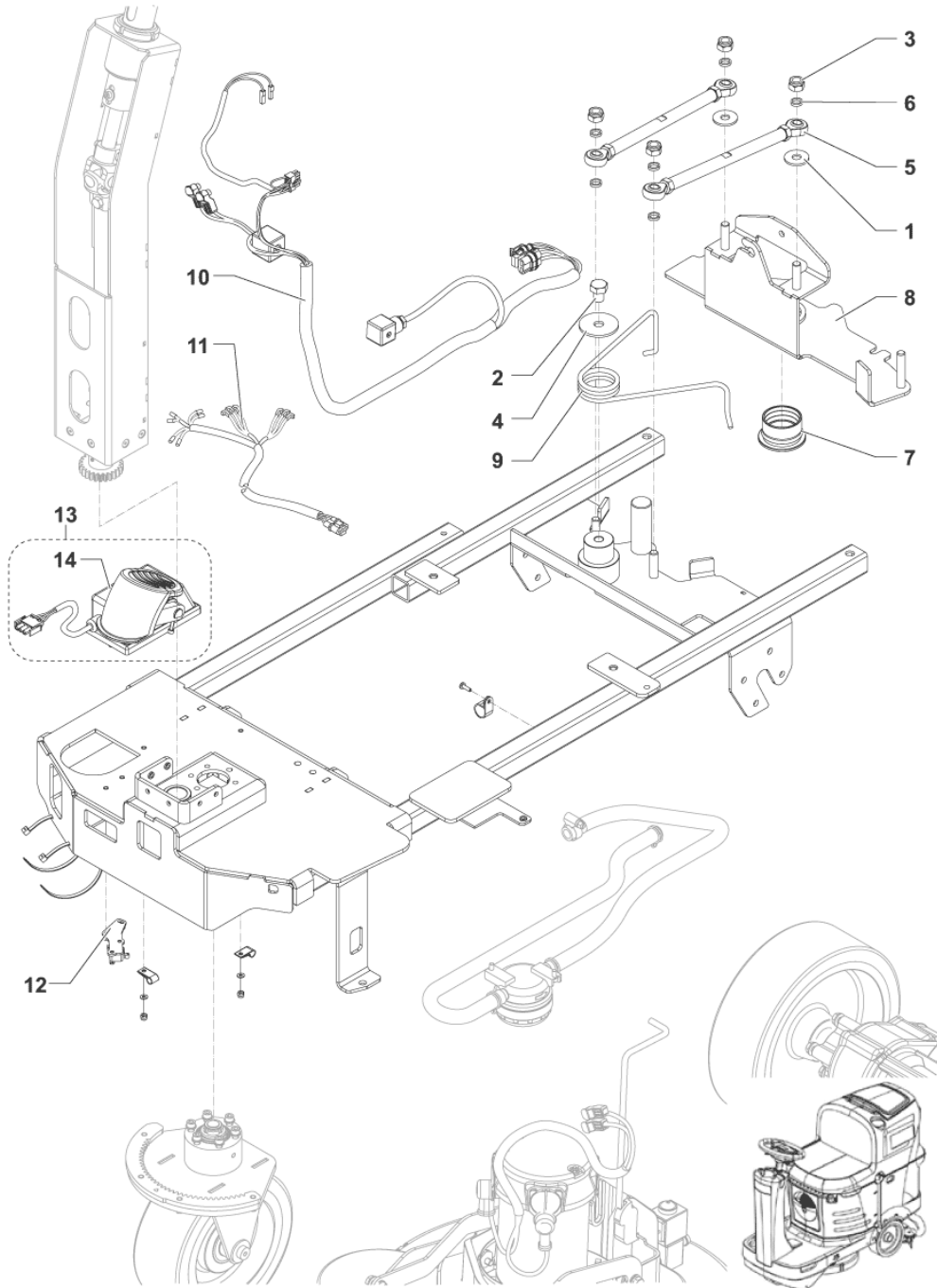
SCRUBTEC R 253 ALT

2015.05.19

2015.11.24

---

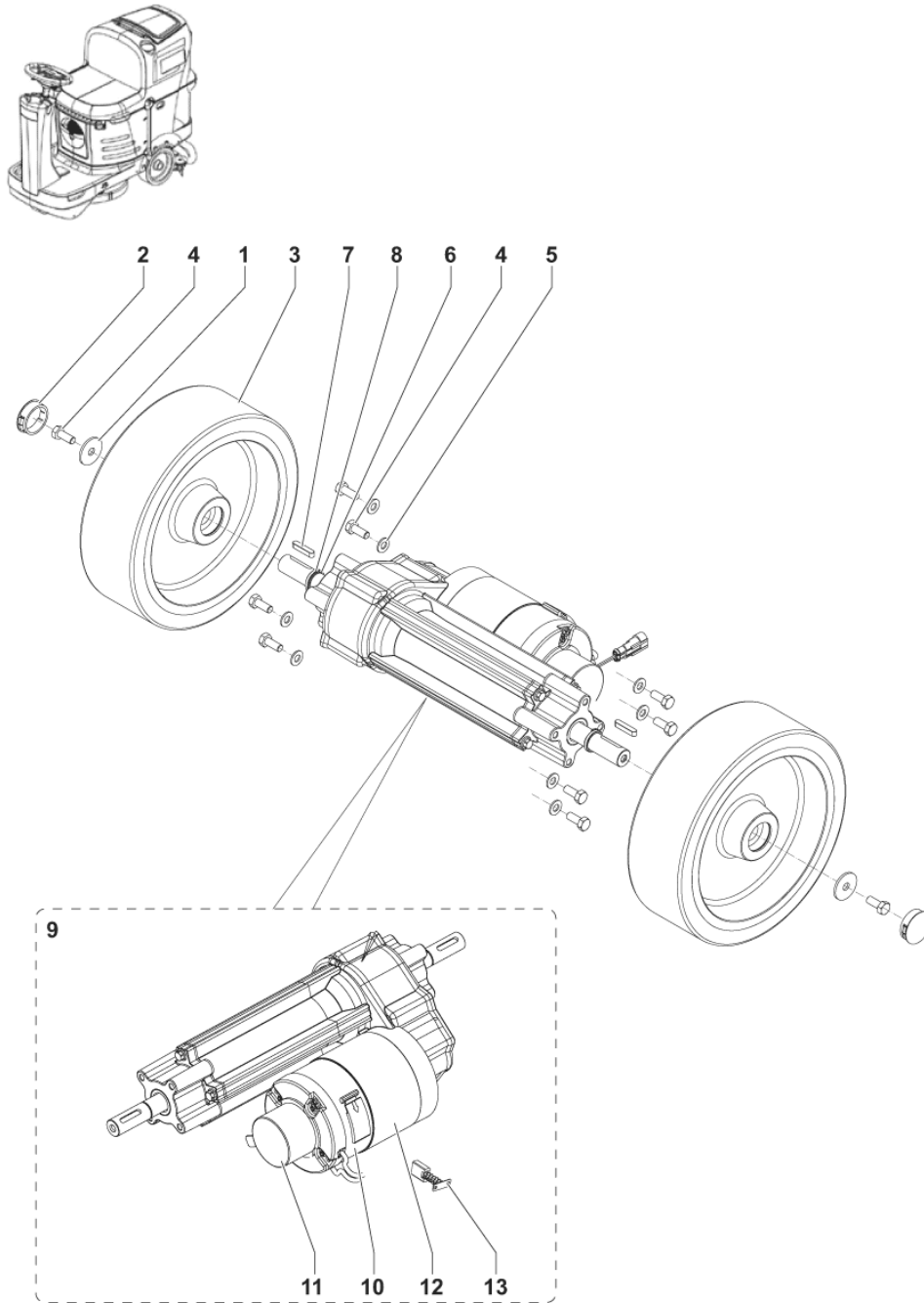
<b>Pos.</b>	<b>Vare-nr</b>	<b>Antal</b>	<b>Beskrivelse</b>	<b>Notes</b>
1	9100001354	1	SWITCH KEY WITH CAP PKD	
2	9100001138	1	PLATE SWITCH KEY FIXING SIP	
3	9100001147	3	HARNESS SWITCH KEY SIP	
4	9100001137	1	COLUMN STEERING BLUE SIP	
5	9100001136	1	FOOTBOARD BLUE SIP	



Pos.	Vare-nr	Antal	Beskrivelse	Notes
5	9100001090	2	ROD EYE M10 PKD	
7	9100001096	1	SLEEVE RUBBER BLACK F SUCTION HOSE SIP	
8	9100001108	1	SUPPORT SQUEEGEE PKD	
10	9100001119	1	HARNES MACHINE SIP	
11	9100001121	1	HARNES FOOTBOARD SIP	
12	9100001183	1	MICROSWITCH KIT	
13	9100001180	1	THROTTLE KIT	
14	9100001140	1	THROTTLE ELECTRONIC PKD	
K1	9100001167	1	HARDWARE SAFETY BAR KIT	[1]
K2	9100001168	1	SPRING ZERO SETTING SQUEEGEE KIT	[2]

Part Notes:

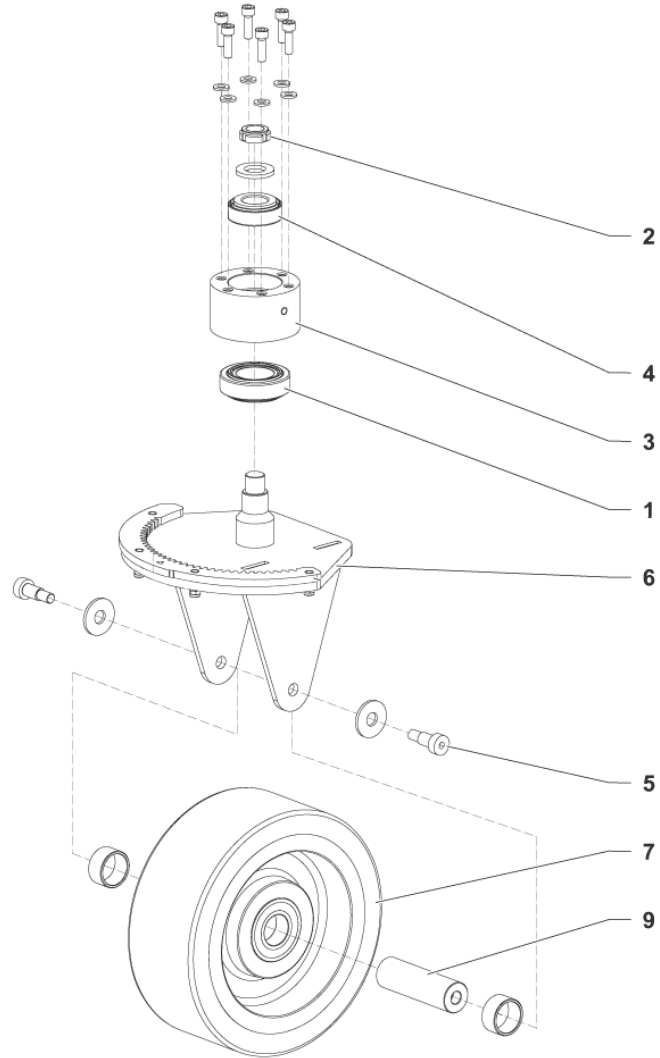
- [1] - NOT SHOWN - POS. 1-3-6
- [2] - NOT SHOWN - POS. 2-4-9



Pos.	Vare-nr	Antal	Beskrivelse	Notes
3	9100001162	1	WHEEL D.254X80 GREY-BLACK 2 PCS SET	
5	9100001351	1	WASHER PLAIN M8 ISO7089 SS 10 PCS SET	
6	9100001346	1	RING D 20 UNI7435 10 PCS SET	
7	9100001156	1	KEY JOINT 6X30 UNI6604A 10 PCS SET	
8	9100001161	1	SPACER 20.5X25X4 10 PCS SET	
9	9100001099	1	MOTOR DRIVE 400W 24V 125RPM PKD	
10	9100001198	1	BAND METAL F ELECTRIC MOTOR FIXING KIT	
11	9100001199	1	BRAKE ELECTR. RELEASED F DRIVE MOTOR PKD	
12	9100001200	1	MOTOR ELECTRIC 400W 24V PKD	
13	1464432000	1	Brush Carbon Kit 4Pcs	
K1	9100001169	1	HARDWARE WHEEL D.254X80 KIT	[1]

## Part Notes:

[1] - NOT SHOWN - POS. 1-2-4



# PL FRONT WHEEL SYSTEM

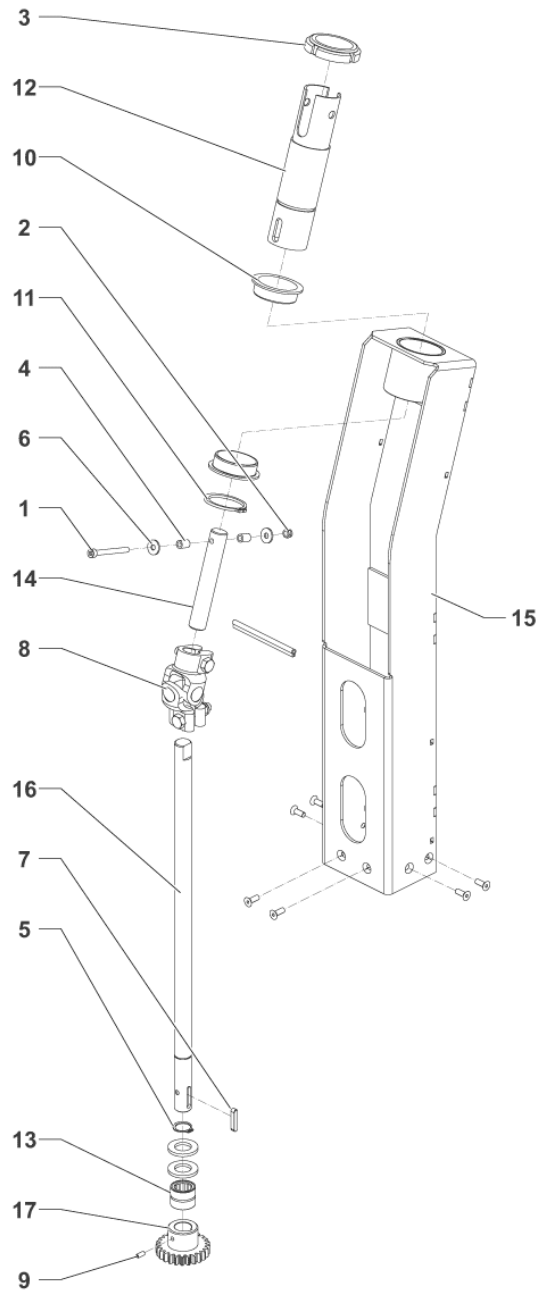
SCRUBTEC R 253 ALT

2015.12.09

2017.05.26

<b>Pos.</b>	<b>Vare-nr</b>	<b>Antal</b>	<b>Beskrivelse</b>	<b>Notes</b>
1	1467636000	1	BEARING TAPER ROLLER 32006 SIP	
2	9100001349	1	NUT RING M15X1 KMA2 LIGHT SER.10 PCS SET	
3	9100001734	1	SUPPORT BALL BEARING PHOS. SIP	
4	1467639000	1	BEARING TAPER ROLLER 32004X SIP	
5	9100001160	1	SCREW SHOUL 10X16 M8 ISO7379 10 PCS SET	
6	9100001646	1	SUPPORT FRONT WHEEL ASSEMBLED SIP	
7	9100002334	1	WHEEL D.200X76 GREY-BLACK SIP	
9	9100001101	1	PIN WHEEL SIP	

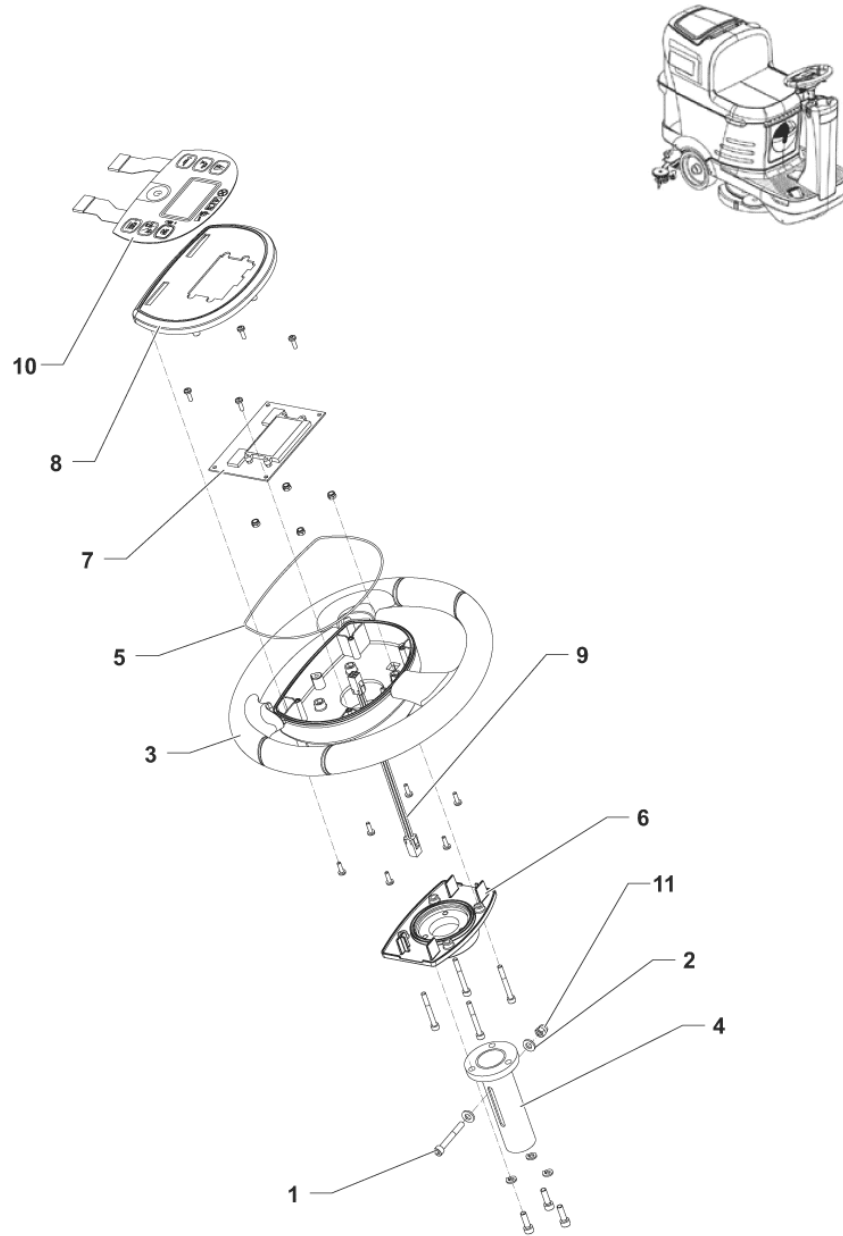




Pos.	Vare-nr	Antal	Beskrivelse	Notes
5	9100001345	1	RING D 17 UNI7435 10 PCS SET	
7	1466146000	1	KEY 5X5X25 UNI6604A PKD	
8	1466319000	1	JOINT UNIVERSAL D.17 SIP	
9	9100001350	1	SCREW GRUB M5X10 UNI5929 10 PCS SET	
10	9100001085	2	BEARING FLANGE IGLIDUR GFM-4044-14 SIP	
11	9100001087	1	RING D.40 UNI7436 SIP	
12	9100001450	1	TUBE STEERING KIT	[1]
13	9100001093	1	BEARING NEEDLE ROLLER NK 17/20 SIP	[2]
13	9100001449	1	HARDWARE STEERING SUPPORT KIT	
13	9100002416	1	BEARING BALL 6203 2RS 2 PCS SET	[3]
14	9100001107	1	SHAFT STEERING UPPER SIP	
15	9100001109	1	SUPPORT STEERING COLUMN SIP	
16	9100001110	1	SHAFT STEERING LOWER SIP	
17	9100001125	1	PINION T25 P50 SIP	
K1	9100001170	1	HARDWARE STEERING TUBE KIT	[4]

## Part Notes:

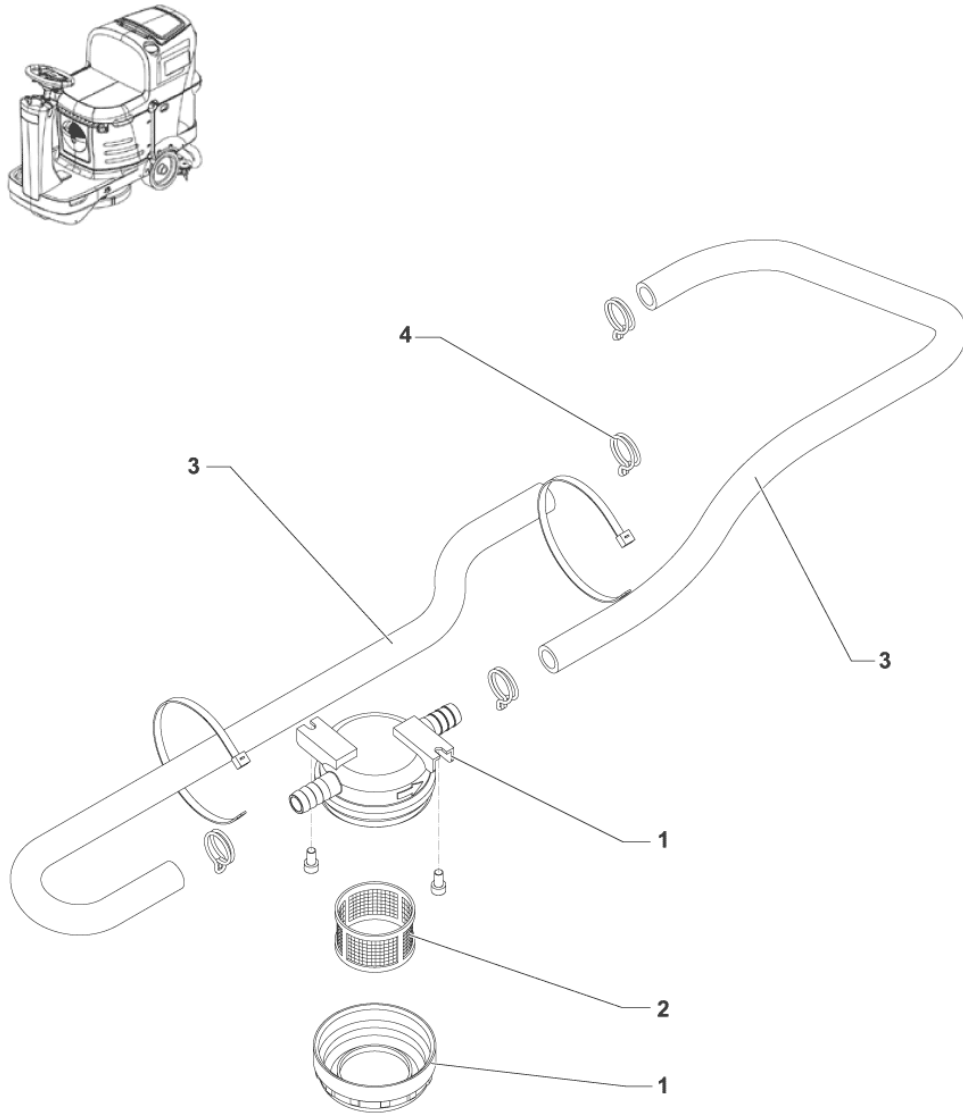
- [1] - With Nut Ring Item No. 3
- [2] - UNTILS/N 3510163104804
- [3] - STARTINGFROMS/N 3510163104805
- [4] - NOT SHOWN - POS. 1-2-4-6



Pos.	Vare-nr	Antal	Beskrivelse	Notes
3	9100001082	1	WHEEL STEERING D.320X281 PKD	
4	9100001086	1	TUBE ADJUST.STEERING WHEEL SIP	
5	9100001088	1	GASKET ROUND D.2 SIP	
6	9100001089	1	COVER LOWER SIP	
7	9100001104	1	CARD ELECTRONIC DISPLAY PKD	
8	9100001114	1	COVER STEERING WHEEL SIP	
9	9100001115	1	CABLE DISPLAY CARD EXTENSION SIP	
10	9100001124	1	DASHBOARD CONTROL PANEL SIP	
K1	9100001171	1	HARDWARE STEERING WHEEL KIT	[1]

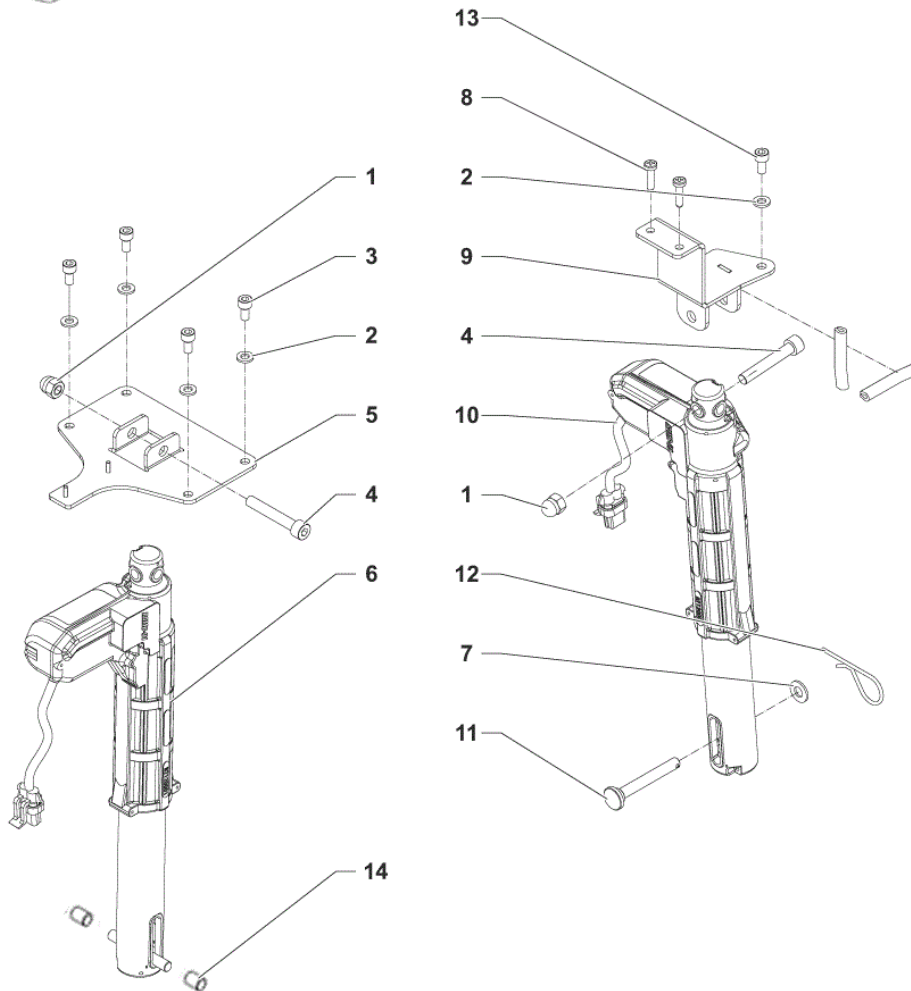
## Part Notes:

[1] - POS. 1-2-11



---

<b>Pos.</b>	<b>Vare-nr</b>	<b>Antal</b>	<b>Beskrivelse</b>	<b>Notes</b>
1	9100000860	1	FILTER WATER PKD	
2	9100000861	1	NET WATER FILTER REINFORCED PKD	
3	9100001174	1	HOSES SOLUTION KIT	
4	9100001159	1	CLAMP DOUBLE WIRE SPRING D.18 10 PCS SET	

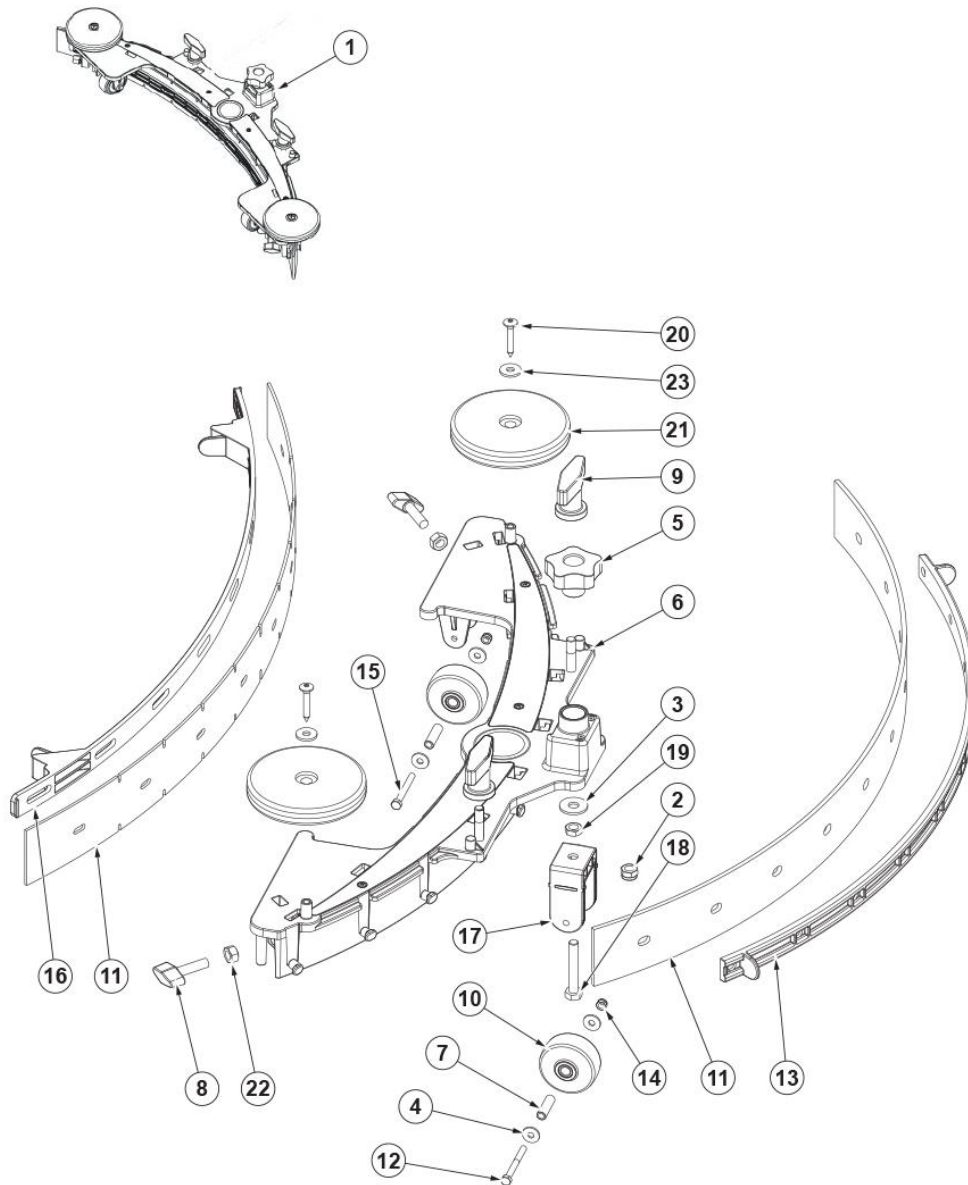


Pos.	Vare-nr	Antal	Beskrivelse	Notes
5	9100001126	1	SUPPORT DECK ACTUATOR SIP	
6	9100001131	1	ACTUATOR 24V DC STROKE 98MM 16MM/S PKD	[1]
9	9100001103	1	SUPPORT SQUEEGEE ACTUATOR SIP	[2]
9	9100001754	1	SUPPORT SQUEEGEE ACTUATOR GALV. SIP	[3]
10	9100001133	1	ACTUATOR 24V DC STROKE 77.5MM 16MM/S SIP	
14	9100002105	1	CAP D.9 PLASTIC 10 PCS SET	[4]
K1	9100001663	1	HARDWARE ACTUATOR SUPPORT KIT	[5]
K2	9100001173	1	HARDWARE ACTUATOR KIT	[6]

## Part Notes:

- [1] - SEE TSB-FC-2016-007  
SEE DE TSB-FC-2016-007
- [2] - before S/N 3510163404521
- [3] - after S/N 3510163404521
- [4] - SEE TSB-FC-2016-021
- [5] - POS. 2-3-8-13
- [6] - POS. 1-4-7-11-12

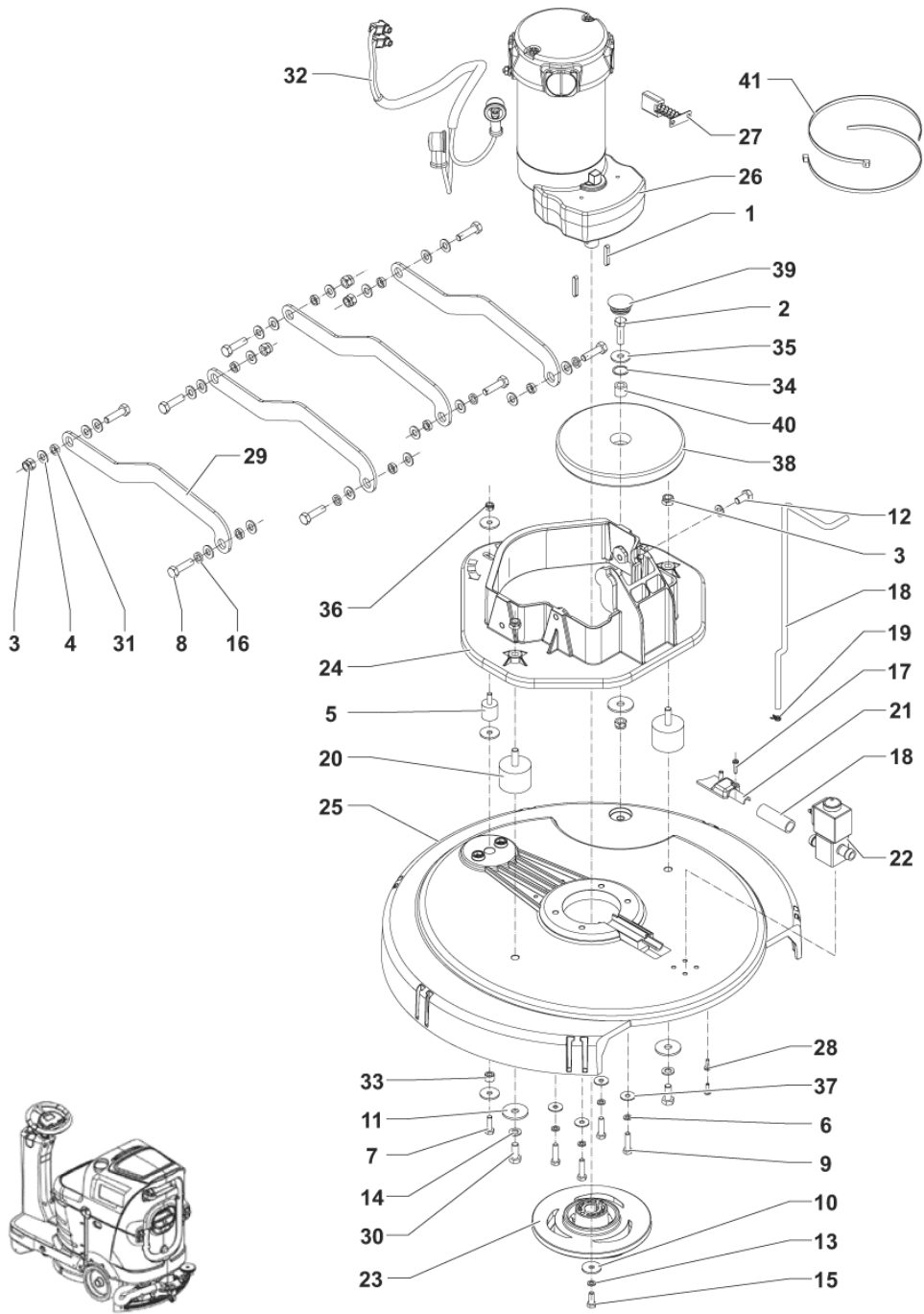




Pos.	Vare-nr	Antal	Beskrivelse	Notes
1	9100001366	1	SQUEEGEE NON MARKING 730MM/29 KIT	[1]
1	9100001367	1	Sugefod kit PU 29" 730 mm	[2]
5	9100000862	1	KNOB LOBES M8 FEMALE SIP	
6	9100000747	1	SQUEEGEE 730MM/29 PRE-ASSEMBLED SIP	
7	9100002408	1	SPACER 5.1X8X28.5 PLASTIC 3 PCS SET	
8	9100000791	2	KNOB M8X30 THD STUD SS PKD	
9	9097637000	1	Monteringsskrue (2 Stk)	
10	9100000559	3	WHEEL D.51 GREY PKD	
11	9100000810	1	Sugegummi kit Gum 29" 740 mm	[3]
11	9100000490	1	Sugegummi kit polyurethan 29" 740 mm	[3]
11	9100000060	1	Sugegummi kit rød Gum 29" 740 mm	[3]
13	9100000864	1	STRAP ELASTIC F REAR SQUEEGEE BLADE PKD	
16	9100000865	1	STRAP FRONT SQUEEGEE BLADE PKD	
17	9100000866	1	SUPPORT SQUEEGEE WHEEL SIP	
21	9100001816	1	WHEEL BUMPER D.100 PLASTIC 2 PCS SET	
K1	9100000748	1	HARDWARE SQUEEGEE KIT	[4]

## Part Notes:

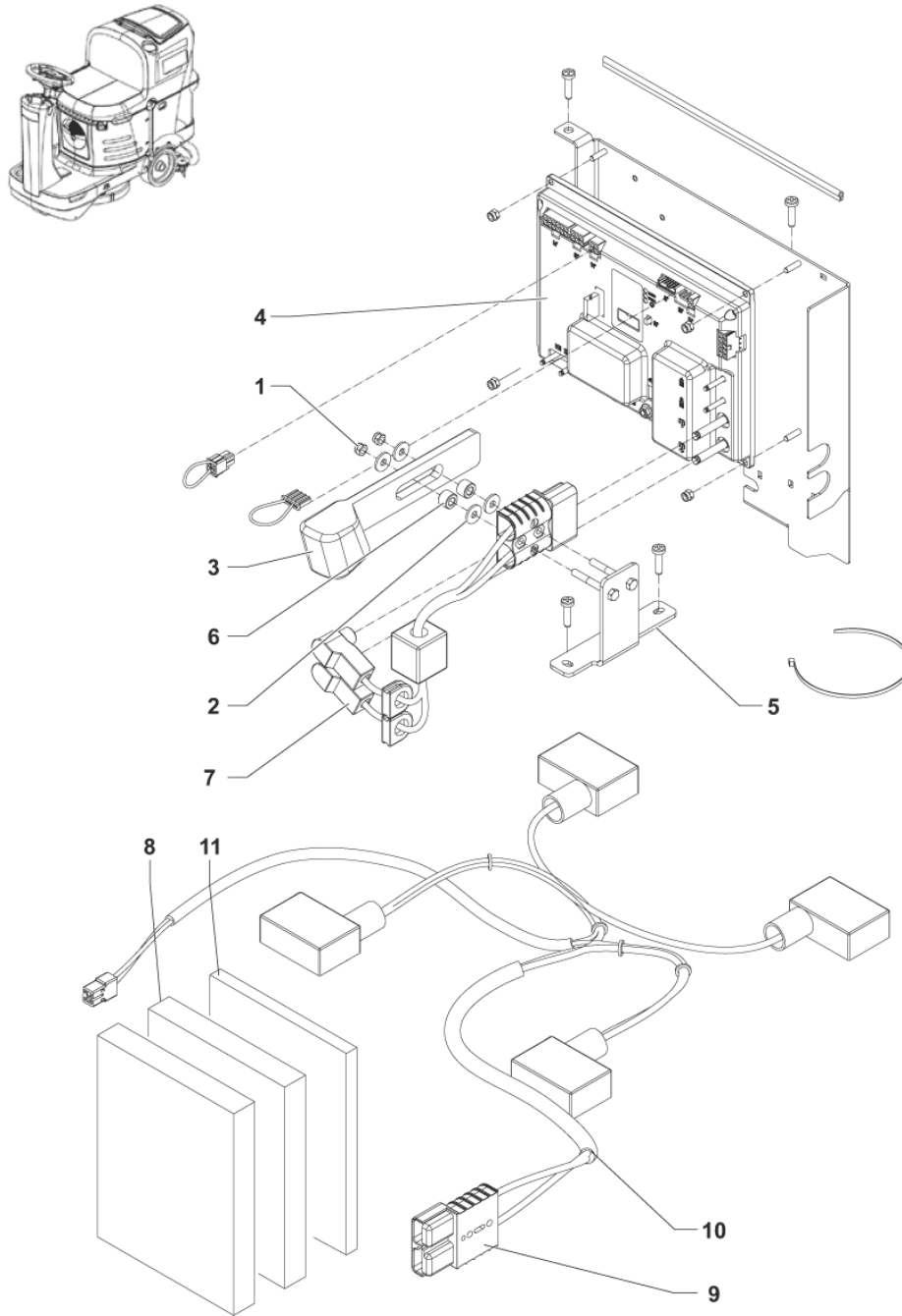
- [1] - OPTIONAL- ONLY FOR SC500
- [2] - OPTIONAL - ONLY FOR SC2000 - SCRUBTEC R253 - RA40
- [3] - OPTIONAL
- [4] - NOT SHOWN - Pos. 1-2-3-4-7-12-14-15-18-19-20-22



Pos.	Vare-nr	Antal	Beskrivelse	Notes
1	9100000875	1	KEY 5X5X30 DIN6885 2 PCS SET	
5	9100001352	1	VIBRATION-DAMPING M6 60SH SIP	
7	9100001347	1	SCREW M6X20 UNI5739 SS 10 PCS SET	
18	9100000797	1	HOSES BRUSH DECK KIT	
20	9100000868	1	VIBRATION DAMPING M8 60SH 2 PCS SET	
21	9100000869	1	COVER SOLUTION HOSE SUPPORT SIP	
22	9100000870	1	Magnetventil 24V PKD	
23	9100000871	1	HUB BRUSH PKD	
24	9100000872	1	PLATE BRUSH DECK HOLDER SIP	
25	9100000873	1	DECK BRUSH 530MM/21 PLAST. SIP	
26	9100000874	1	REDUCTION GEARMOTOR 450W 24V SIP	
27	9098376000	1	CARBON BRUSHES KIT 4 PCS	
29	9100001163	1	ARM BRUSH DECK LIFTING 4 PCS SET	
32	9100001132	1	HARNES BRUSH MOTOR SIP	
K1	909 6887 000	1	Stødhjul	[1]
K2	9100001175	1	HARDWARE BRUSH DECK LIFTING ARMS KIT	[2]
K3	9100001176	1	HARDWARE BRUSH DECK KIT	[3]

## Part Notes:

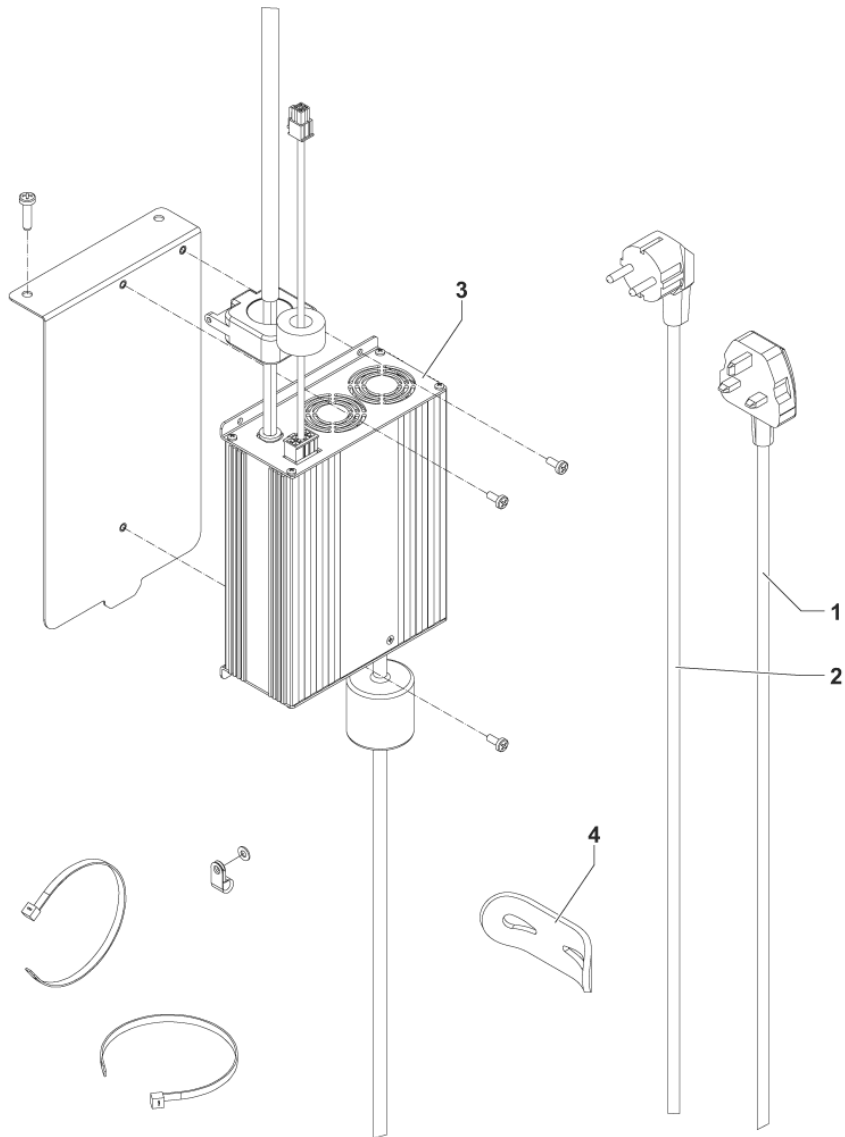
- [1] - POS. 2-34-35-38-39-40  
 [2] - POS. 3-4-8-16-31  
 [3] - POS. 3-6-9-10-11-12-13-14-15-17-19-28-30-33-36-37-41



Pos.	Vare-nr	Antal	Beskrivelse	Notes
4	9100001122	1	CONTROLLER MAIN MACHINE PKD	[1]
7	9100001141	1	HARNESS ELECTRIC COMPONENTS BOX SIP	
9	9100002117	2	CONNECTOR RED 120A PKD	
10	9100001954	1	HARNESS BATTERY EU KIT	[2]
10	9100001015	1	HARNESS BATTERY US SIP	[3]
K1	9100001177	1	PANELS INSULATING KIT	
K2	9100001179	1	LEVER EMERGENCY KIT	

## Part Notes:

- [1] - SEE TSB-FC-2016-007  
SEE DE TSB-FC-2016-007
- [2] - ONLY FOR EU VERSION
- [3] - ONLY FOR US VERSION

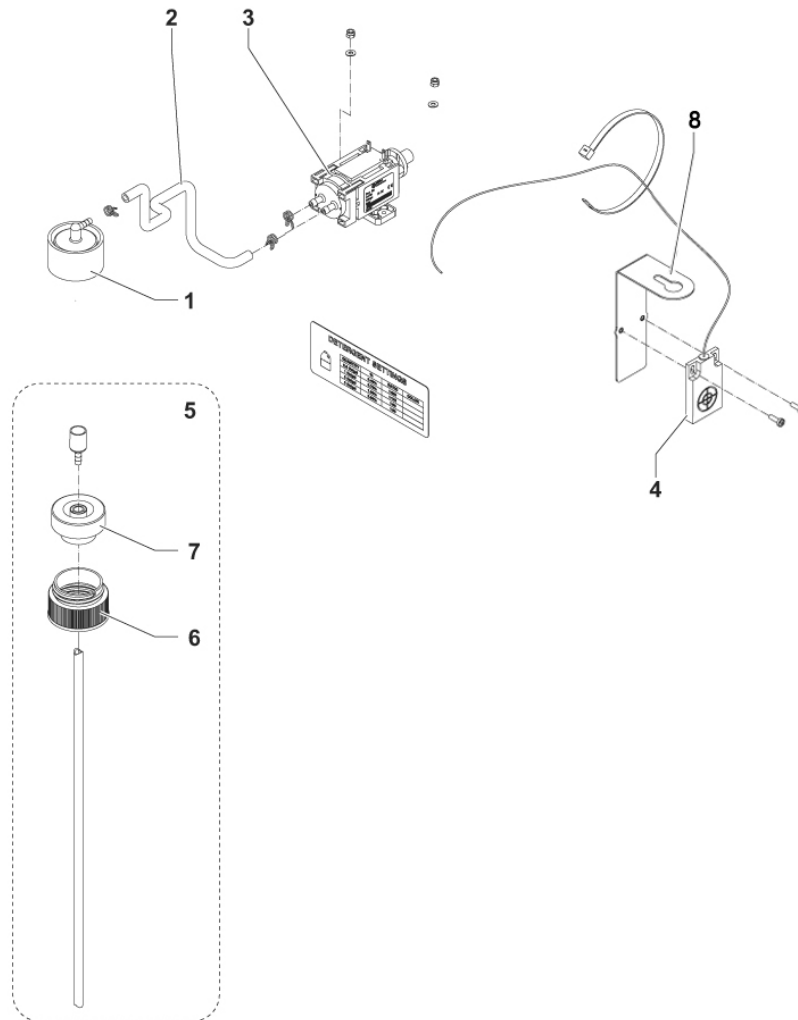


Pos.	Vare-nr	Antal	Beskrivelse	Notes
1	1466318000	1	CABLE EXTENSION UK PLUG L.2000MM SIP	[1]
2	9100000787	1	CABLE EXTENSION EU PLUG L.2000 PKD	[1]
2	9100000890	1	CABLE EXTENSION US PLUG L.2000MM SIP	[2]
3	9100001145	1	CHARGER BATT. O/B 24V 13A 100-230V SIP	[3]
4	9100000829	1	BAND ELASTIC F EXTENSION CABLE PKD	
K1	9100000940	1	Indbygget oplader kit	[4]
K2	9100001715	1	CHARGER BATT.O/B JP 24V 13A 100-240V KIT	[5]

## Part Notes:

- [1] - ONLY FOR EU VERSION  
 [2] - ONLY FOR US VERSION  
 [3] - SEE TSB-FC-2016-010  
 [4] - OPTIONAL - POS. 1-2-3-4 - SEE INST. INSTR.9100001068  
 SEE TSB-FC-2016-010  
 [5] - OPTIONAL - NOT SHOWN - SEE INST. INSTR. 9100001717



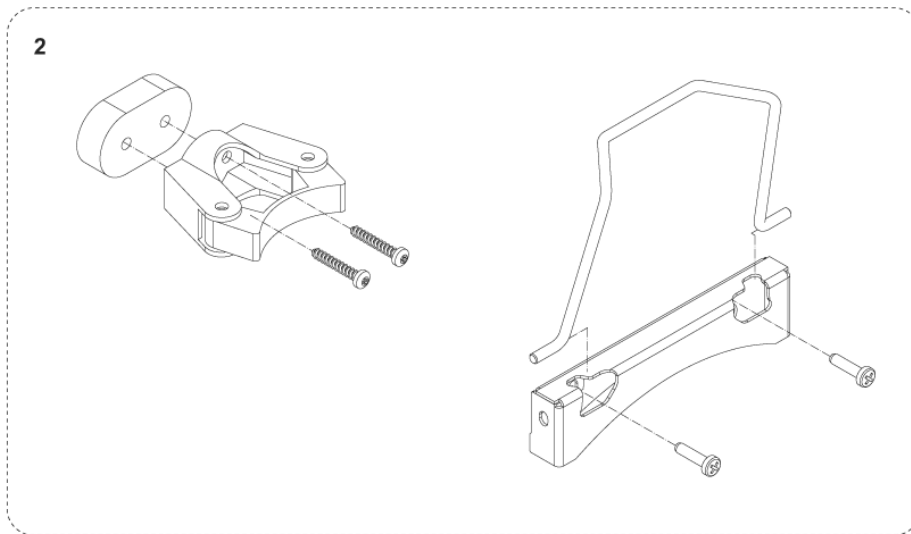
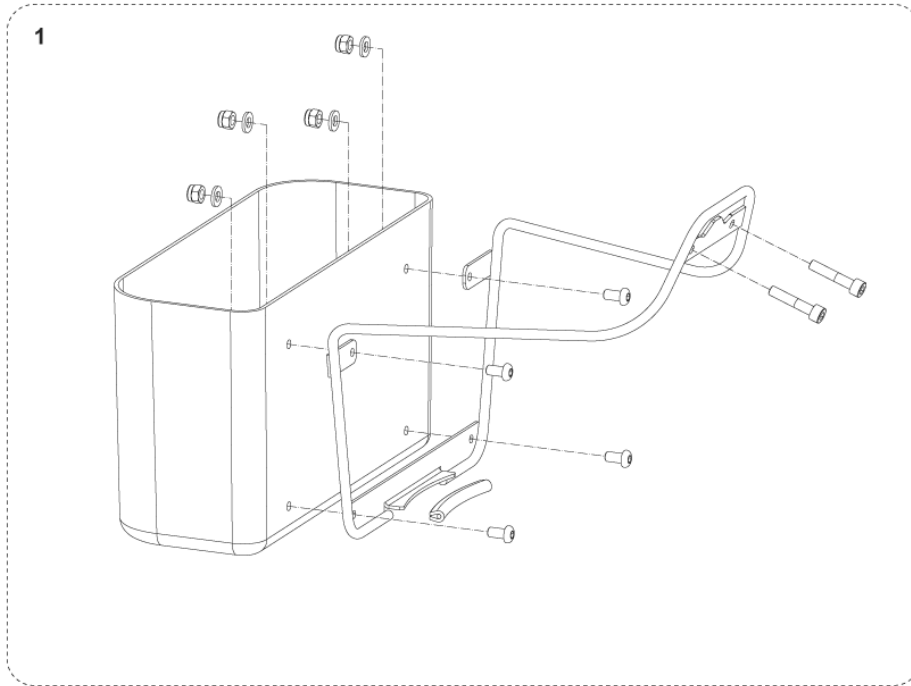


Pos.	Vare-nr	Antal	Beskrivelse	Notes
1	56315523	1	Låg Ecoflex Beholder Lille	
2	9100000891	1	HOSE SILICONE D.4X7 L.300MM PKD	
3	9100001819	1	PUMP CHEMICAL MIX KIT	
4	9100001818	1	SENSOR WATER LEVEL KIT	
5	9098025000	1	Detergent adapter kit	
6	9097023000	1	Adapter For Reng. Tank	
7	9097022000	1	Niveauføler	
8	9100001820	1	SUPPORT F WATER LEVEL SENSOR KIT	
K1	9100000953	1	Sæbe-mix-system	[1]

## Part Notes:

[1] - PRUNED ACCESSORY

OPTIONAL - POS. 1-2-3-4-5-6-7 - SEE INST. INSTR. 9100001070

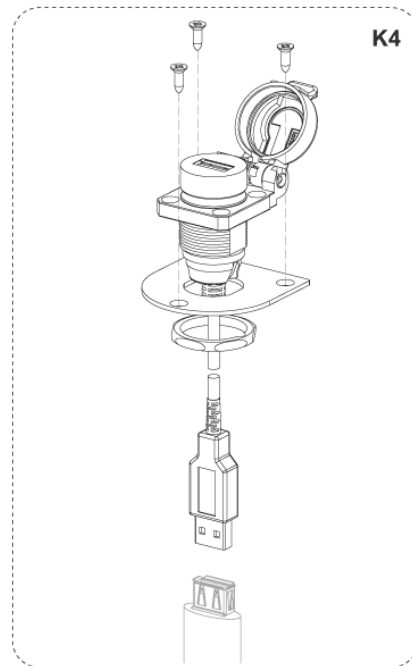
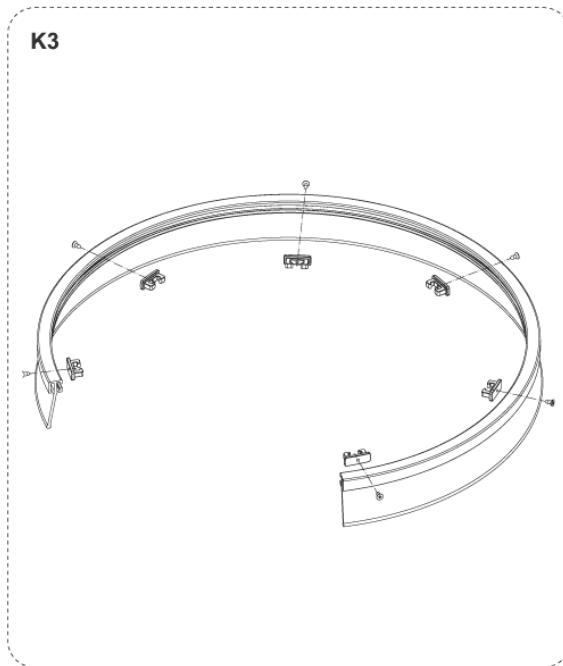
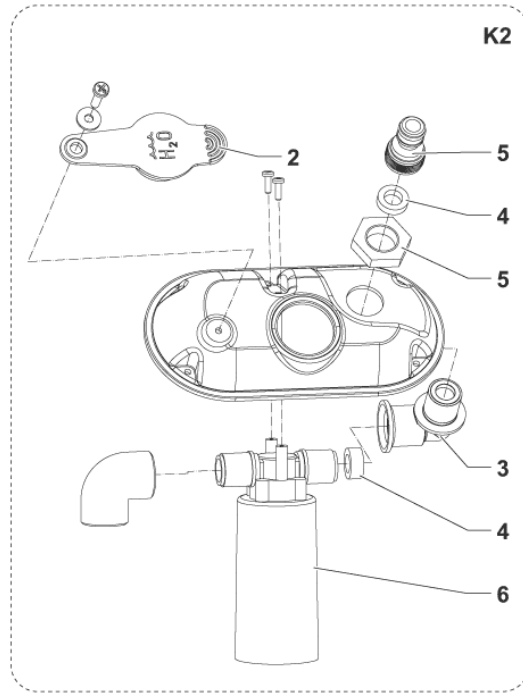
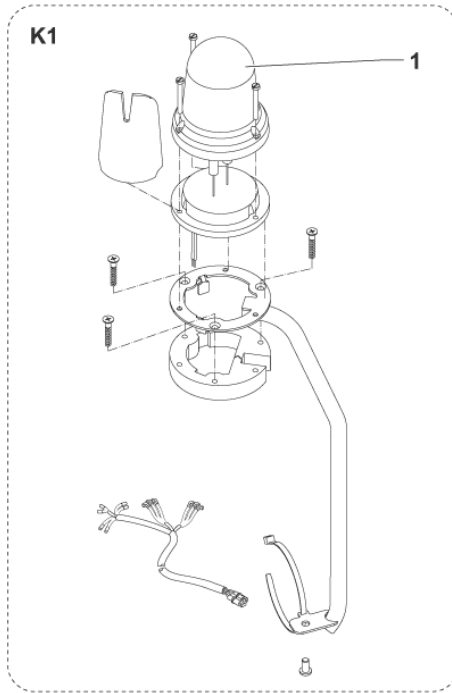


---

Pos.	Vare-nr	Antal	Beskrivelse	Notes
1	9100000697	1	Frontkurv kit	[1]
2	9100000688	1	Moppeholder kit	[2]

## Part Notes:

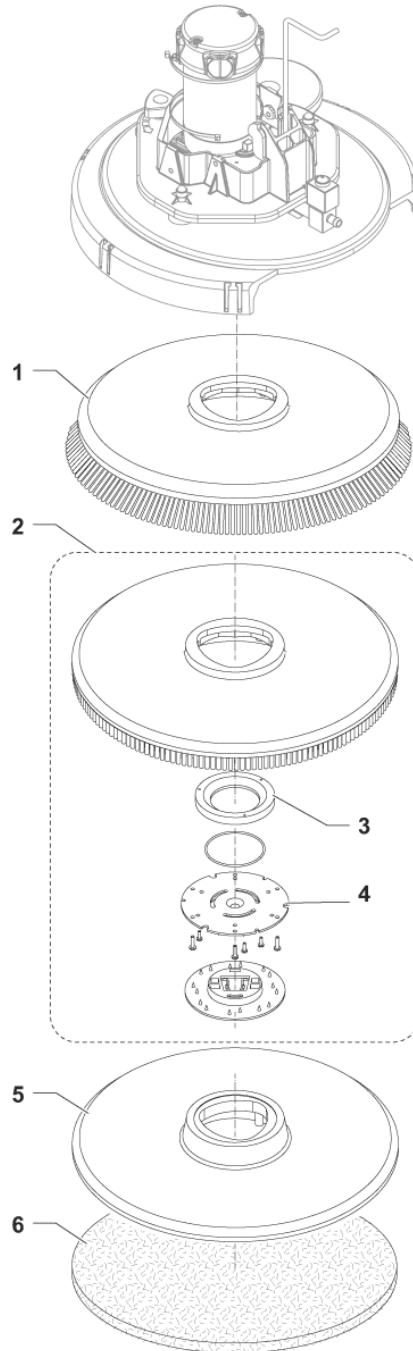
- [1] - OPTIONAL - SEE INST. INTR. 9100001067
- [2] - OPTIONAL - SEE INST. INSTR. 9100000985



Pos.	Vare-nr	Antal	Beskrivelse	Notes
1	33023155	1	BEACON FLASHING SIP	
K1	910000663	1	Advarselsblink kit	[1]
2	910000808	1	RUBBER SOLUTION CAP SIP	
3	910000894	1	ELBOW CURVED M/F PKD	
4	910000622	2	GASKET RUBBER D.11.5X19X5 BLACK SIP	
5	9099675000	1	FITTING QUICK KIT	
6	910000897	1	VALVE WATER STOP SIP	
K2	910000707	1	Automatisk vandpåfyldning kit	[2]
K3	9100001441	1	Stænskørt kit 20" 510 mm	
K4	910000784	1	USB port kit	[3]
K5	9100002205	1	DRAINING HAND TOOL	[4]

## Part Notes:

- [1] - OPTIONAL - SEE INST. INSTR. 910000982
- [2] - OPTIONAL - SEE INST. INSTR. 910000984
- [3] - OPTIONAL - SEE INST. INSTR. 910000983
- [4] - NOT SHOWN

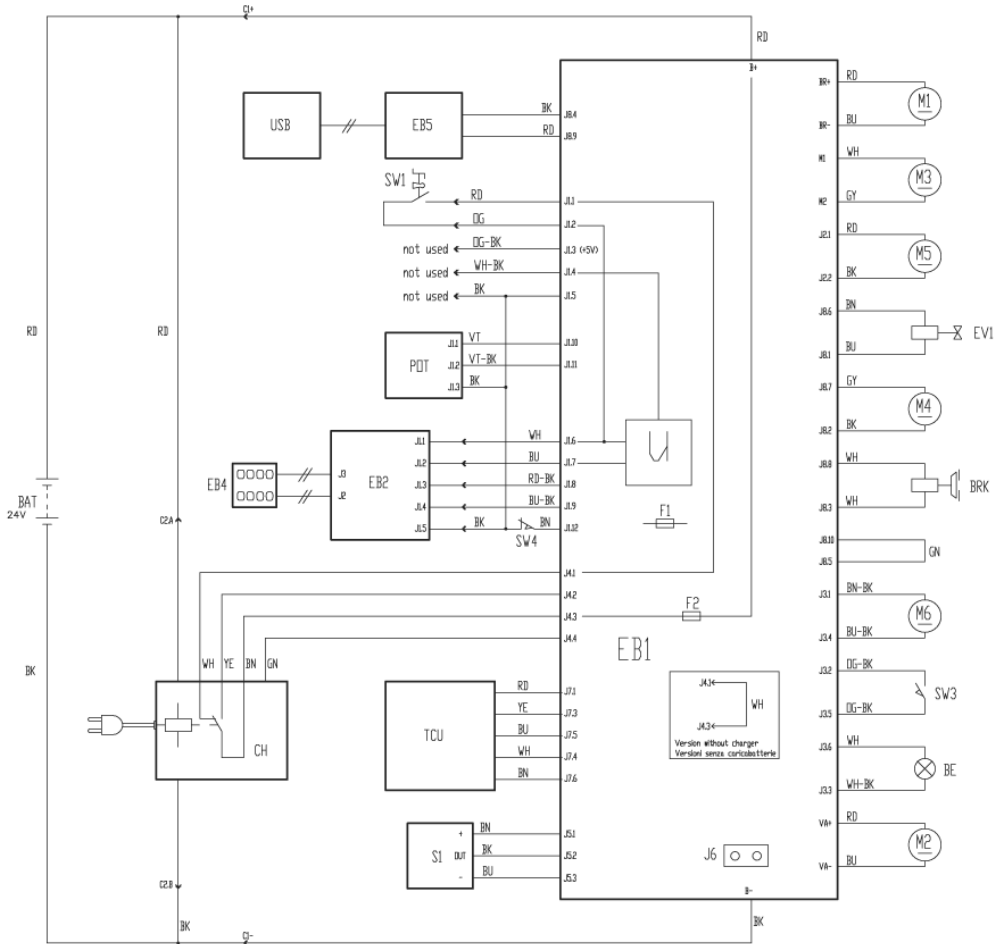


Pos.	Vare-nr	Antal	Beskrivelse	Notes
1	L08837025	1	Børste Prolene 21" Ø530 mm	[1]
1	L08837026	1	Børste Prolite 21" Ø530 mm	[1]
1	L08837027	1	Børste naturhår 21" Ø530 mm	[1]
1	L08837028	1	Børste Midlite Grit 180 21" Ø530 mm	[1]
1	L08837029	1	Børste Clean Grit 21" Ø530 mm	[1]
1	L08837065	1	Børste Magna Grit 46 21" Ø530 mm	[1]
1	L08837066	1	Børste Dyna Grit 80 21" Ø530 mm	[1]
1	L08837067	1	Børste Aglite Grit 500 21" Ø530 mm	[1]
2	L08837018	1	Rondelholder 21" Ø530 mm	[1]
3	L08603966	1	Ring Nylon	
4	56505195	1	Rondellås Lynkobling	
5	9099671000	1	Rondelholder 20" Ø508 mm Velcro	[1]
6	10001955	1	Eco Pad sort 20" Ø508 mm (5 stk.)	[1]
6	10001956	1	Eco Pad blå 20" Ø508 mm (5 stk.)	[1]
6	10001957	1	Eco Pad brun 20" Ø508 mm (5 stk.)	[1]
6	10001958	1	Eco Pad grøn 20" Ø508 mm (5 stk.)	[1]
6	10001959	1	Eco Pad rød 20" Ø508 mm (5 stk.)	[1]
6	10001960	1	Eco Pad hvid 20" Ø508 mm (5 stk.)	[1]
6	10002348	1	Eco Brilliance Pad rød 20" Ø500 (2 stk)	[1]
6	10002349	1	Eco Brilliance Pad blå 20" Ø500 (2 stk)	[1]
6	10002350	1	Eco Brilliance Pad gul 20" Ø500 (2 stk)	[1]
6	10002351	1	Eco Brilliance Pad grøn 20" Ø500 (2stk)	[1]

## Part Notes:

[1] - OPTIONAL





Pos.	Vare-nr	Antal	Beskrivelse	Notes
BE	910000663		Advarselsblink kit	
BRK	9100001199		BRAKE ELECTR. RELEASED F DRIVE MOTOR PKD	
CH	9100001145		CHARGER BATT. O/B 24V 13A 100-230V SIP	
EB1	9100001122		CONTROLLER MAIN MACHINE PKD	[1]
EB2	9100001104		CARD ELECTRONIC DISPLAY PKD	
EB4	9100001123		DASHBOARD CONTROL PANEL PKD	
EV1	9100000870		Magnetventil 24V PKD	
F1	9100000877		FUSE MIDIFUSE 100A SIP	
F2	9100000878		FUSE BLADE 3A SIP	
M1	9100000874		REDUCTION GEARMOTOR 450W 24V SIP	
M2	9100001144		MOTOR VACUUM 24V 310W PKD	
M3	9100001200		MOTOR ELECTRIC 400W 24V PKD	
M4	9100001819		PUMP CHEMICAL MIX KIT	
M5	9100001131		ACTUATOR 24V DC STROKE 98MM 16MM/S PKD	
M6	9100001133		ACTUATOR 24V DC STROKE 77.5MM 16MM/S SIP	
POT	9100001140		THROTTLE ELECTRONIC PKD	
S1	9100001818		SENSOR WATER LEVEL KIT	
SW1	9100001354		SWITCH KEY WITH CAP PKD	
SW3	9100001130		CUSHION SEAT ADHESIVE KIT	
SW4	9100001183		MICROSWITCH KIT	
USB	9100000784		USB port kit	

## Part Notes:

- [1] - TSB-FC-2016-007- SC2000 Actuators check  
 DE TSB-FC-2016-007 SC2000 Scrubtec R2 Stellantrieb und Hauptsteuerung

# PL RECOMMENDED PARTS

SCRUBTEC R 253 ALT

2015.05.19

2017.05.26

---

# PL RECOMMENDED PARTS

SCRUBTEC R 253 ALT

2015.05.19

2017.05.26

Pos.	Vare-nr	Antal	Beskrivelse	Notes
NW	9100001511	1	COVER RECOVERY TANK KIT	
NW	9100000810	1	Sugegummi kit Gum 29" 740 mm	
NW	9100000490	1	Sugegummi kit polyurethan 29" 740 mm	
NW	9100000060	1	Sugegummi kit rød Gum 29" 740 mm	
NW	L08837025	1	Børste Prolene 21" Ø530 mm	
OM	9100000803	1	VALVE ELBOW PKD	
OM	9100000574	1	BARB HOSE STRAIGHT D.19.8 G1/2 PLAST KIT	
OM	1465355000	1	CAP SOLUTION TANK KIT	
OM	9100001353	1	FILTER SOLUTION TANK PKD	
OM	9100001578	1	HOSE FRESH WATER LEVEL KIT	
OM	9100001139	2	GASKET RUBBER D.21X33X2.5 BLACK SIP	
OM	9100000817	1	BALL FLOATING PKD	
OM	9097587000	1	CAGE FLOAT	
OM	9100000928	1	GASKET FLOAT SUPPORT PKD	
OM	9100001106	1	HOSE SUCTION SQUE. 90 BLACK L.1120MM SIP	
OM	9100001113	1	HOSE DRAIN L.1427MM 90 BLACK PKD	
OM	9100001144	1	MOTOR VACUUM 24V 310W PKD	
OM	9100001354	1	SWITCH KEY WITH CAP PKD	
OM	1464432000	1	Brush Carbon Kit 4Pcs	
OM	9100002334	1	WHEEL D.200X76 GREY-BLACK SIP	
OM	9100000860	1	FILTER WATER PKD	
OM	9100000861	1	NET WATER FILTER REINFORCED PKD	
OM	9100000862	1	KNOB LOBES M8 FEMALE SIP	
OM	9100000791	2	KNOB M8X30 THD STUD SS PKD	
OM	9100000559	3	WHEEL D.51 GREY PKD	
OM	9100000864	1	STRAP ELASTIC F REAR SQUEEGEE BLADE PKD	
OM	9100000865	1	STRAP FRONT SQUEEGEE BLADE PKD	
OM	9100001816	1	WHEEL BUMPER D.100 PLASTIC 2 PCS SET	
OM	9100000748	1	HARDWARE SQUEEGEE KIT	
OM	9100000870	1	Magnetventil 24V PKD	
OM	9100000871	1	HUB BRUSH PKD	
OM	9098376000	1	CARBON BRUSHES KIT 4 PCS	
OM	L08812204	1	Bumper Rollers Ba450/530	
OM	9100000891	1	HOSE SILICONE D.4X7 L.300MM PKD	
OM	9100001819	1	PUMP CHEMICAL MIX KIT	
EOM	9100001130	1	CUSHION SEAT ADHESIVE KIT	
EOM	9100001091	1	TRAY DEBRIS SIP	
EOM	9100001092	1	COVER TRAY DEBRIS SIP	
EOM	9100001180	1	THROTTLE KIT	
EOM	9100001168	1	SPRING ZERO SETTING SQUEEGEE KIT	
EOM	9100001162	1	WHEEL D.254X80 GREY-BLACK 2 PCS SET	
EOM	9100001200	1	MOTOR ELECTRIC 400W 24V PKD	
EOM	9100001734	1	SUPPORT BALL BEARING PHOS. SIP	
EOM	1467639000	1	BEARING TAPER ROLLER 32004X SIP	
EOM	9100001160	1	SCREW SHOUL 10X16 M8 ISO7379 10 PCS SET	
EOM	9100001101	1	PIN WHEEL SIP	
EOM	9100001350	1	SCREW GRUB M5X10 UNI5929 10 PCS SET	
EOM	9100001093	1	BEARING NEEDLE ROLLER NK 17/20 SIP	
EOM	9100001104	1	CARD ELECTRONIC DISPLAY PKD	
EOM	9100001124	1	DASHBOARD CONTROL PANEL SIP	
EOM	9100001174	1	HOSES SOLUTION KIT	
EOM	9100001131	1	ACTUATOR 24V DC STROKE 98MM 16MM/S PKD	
EOM	9100001133	1	ACTUATOR 24V DC STROKE 77.5MM 16MM/S SIP	
EOM	9100001173	1	HARDWARE ACTUATOR KIT	
EOM	9100000874	1	REDUCTION GEARMOTOR 450W 24V SIP	
EOM	909 6887 000	1	Stødhjul	
EOM	9100001122	1	CONTROLLER MAIN MACHINE PKD	
EOM	9100002117	1	CONNECTOR RED 120A PKD	
EOM	9100001179	1	LEVER EMERGENCY KIT	

# PL RECOMMENDED PARTS

SCRUBTEC R 253 ALT

2015.05.19

2017.05.26

Pos.	Vare-nr	Antal	Beskrivelse	Notes
EOM	9100001145	1	CHARGER BATT. O/B 24V 13A 100-230V SIP	
EOM	9100001081	1	CHEMICAL TANK PKD	
EOM	56104189	1	INSERT-DRY BRAKE	
EOM	9100001817	1	CAP PLASTIC F CHEMICAL TANK SIP	
EOM	56315523	1	Låg Ecoflex Beholder Lille	
EOM	9100001818	1	SENSOR WATER LEVEL KIT	
EOM	56315523	1	Låg Ecoflex Beholder Lille	
EOM	9100000891	1	HOSE SILICONE D.4X7 L.300MM PKD	
EOM	9098025000	1	Detergent adapter kit	

