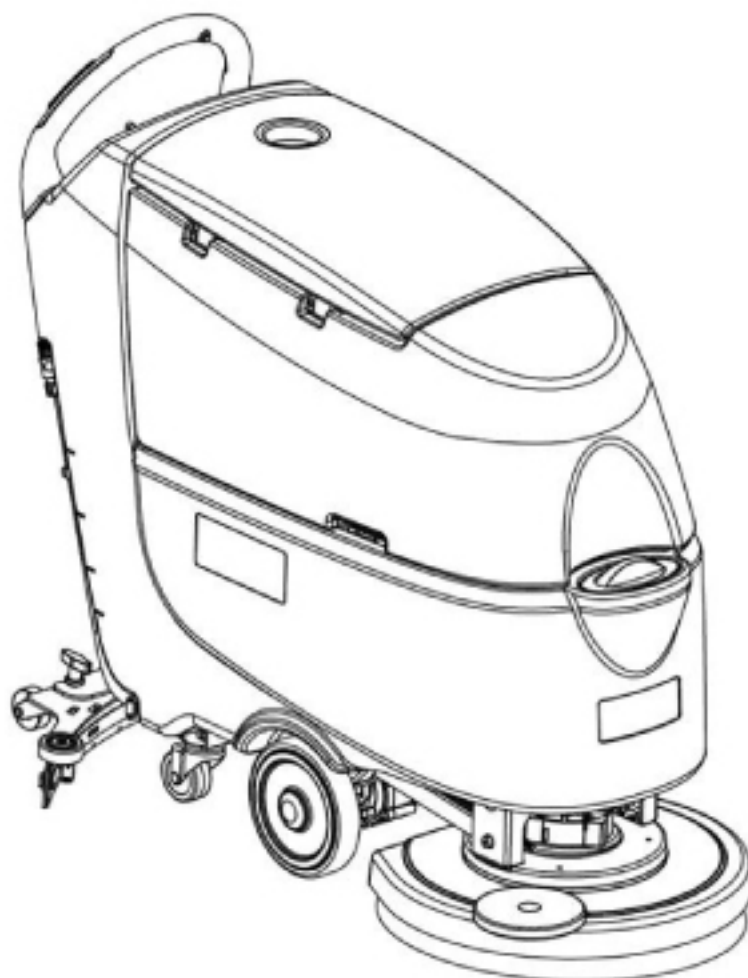


# PARTS LIST

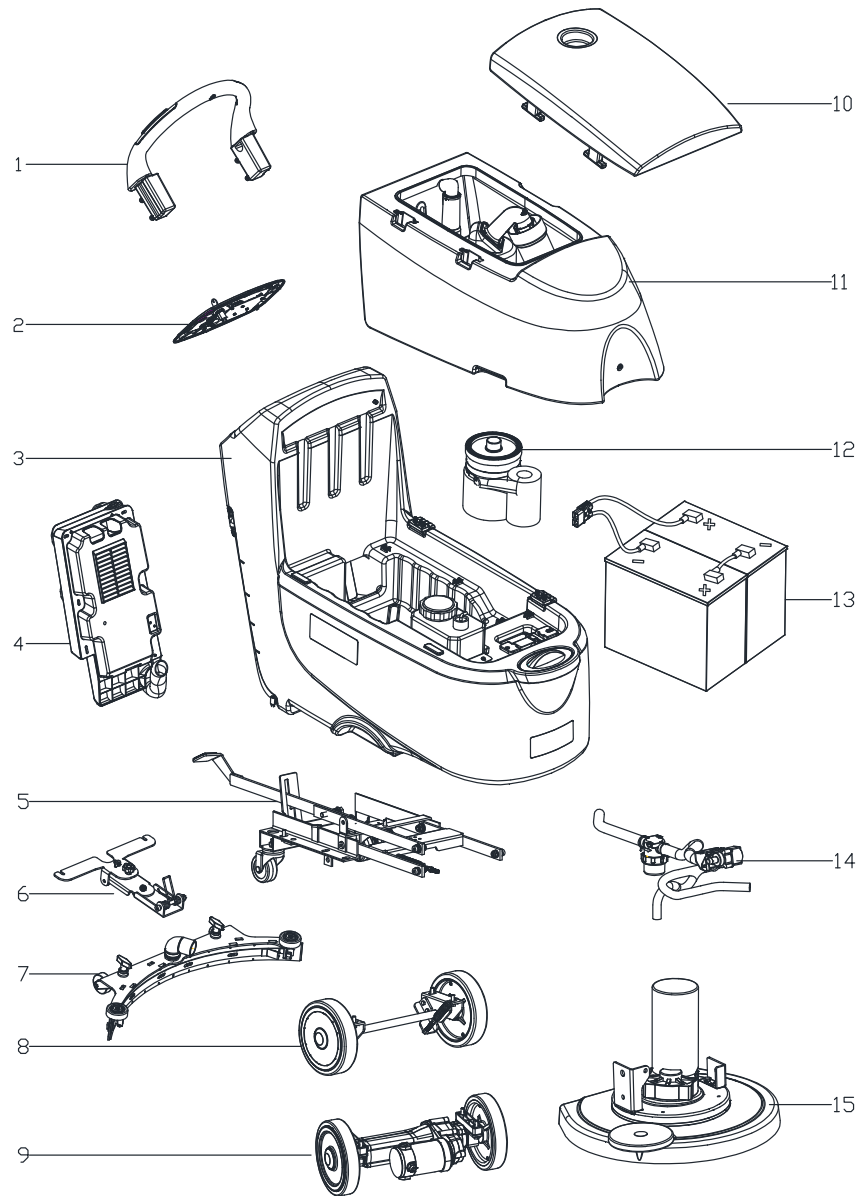


2017.08.03

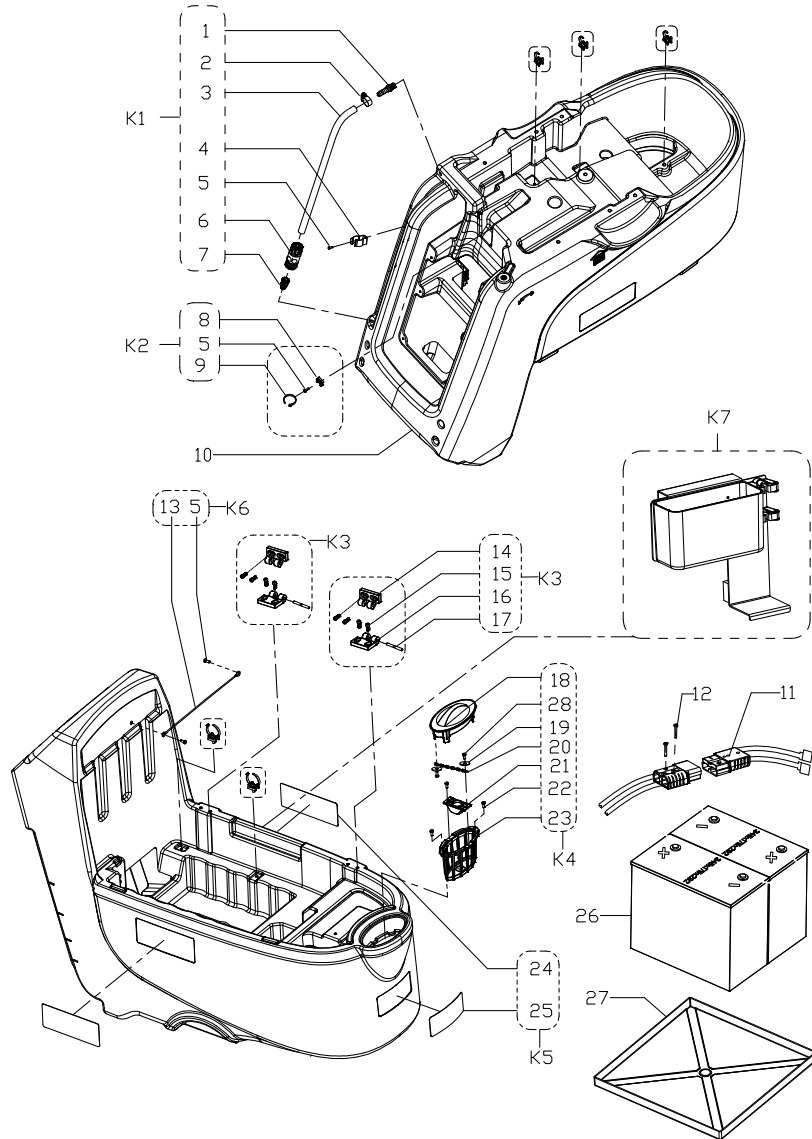
# TABLE OF CONTENTS

---

Overview .....	1
Solution tank .....	3
Recovery tank .....	5
Control and Electric system .....	7
Chassis .....	10
Wheel with traction .....	12
Solution system .....	14
Squeegee .....	16
Brush .....	18
Chemical mixing .....	20
Wiring diagram (with traction) .....	22



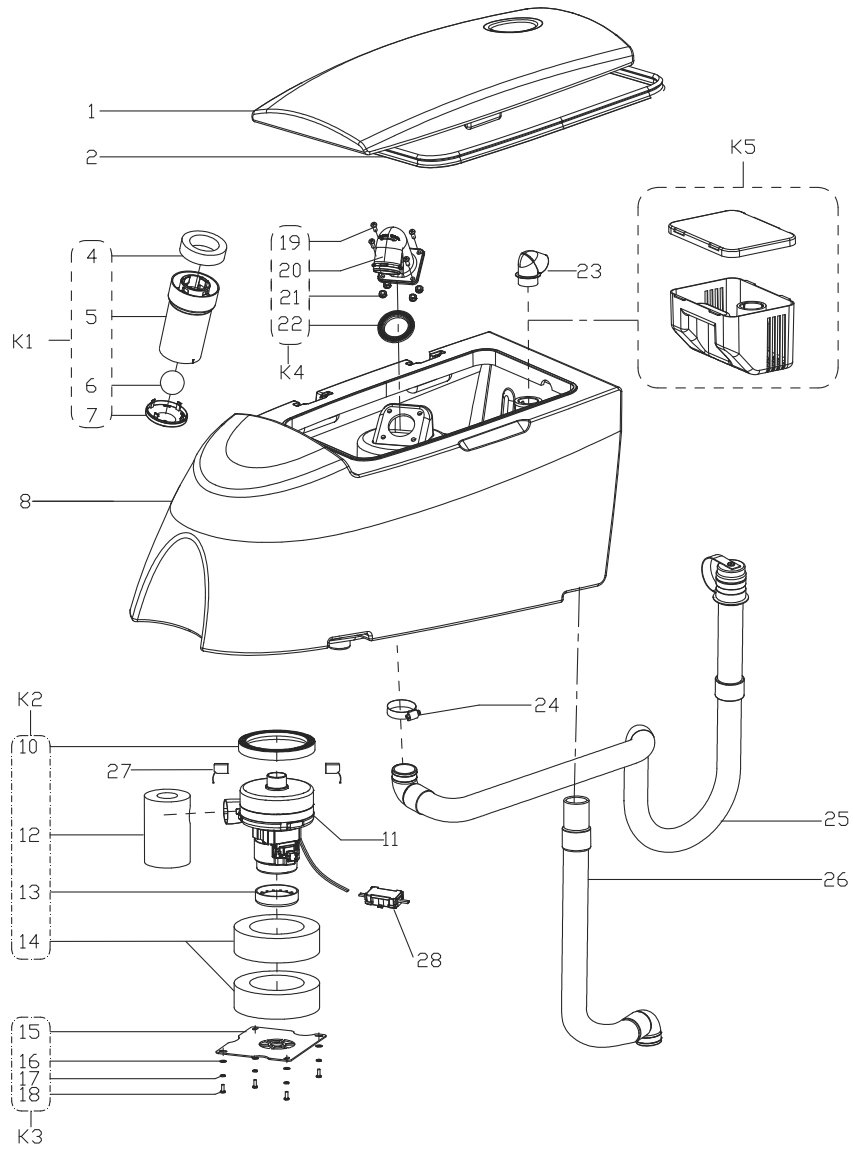
Pos.	Vare-nr	Antal	Beskrivelse	Notes
1A		1	HANDLE BAR ASSEMBLY WITHOUT TRACTION	
1B		1	HANDLE BAR ASSEMBLY WITH TRACTION	
2		1	CONTROL PANEL ASSEMBLY	
3		1	SOLUTION TANK ASSEMBLY	
4		1	CONTROL BOX ASSEMBLY	
5		1	CHASSIS ASSEMBLY	
6		1	SQUEEGEE HOLDER ASSEMBLY	
7		1	SQUEEGEE ASSEMBLY	
8A		1	WHEEL ASSEMBY WITHOUT TRACTION	
9B		1	WHEEL ASSEMBY WITH TRACTION	
10		1	RECOVERY TANK LID ASSEMBLY	
11		1	RECOVERY TANK ASSEMBLY	
12		1	VACUUM MOTOR ASSEMBLY	
13		1	BATTERIES	
14		1	SOLUTION SYSTEM ASSEMBLY	
15		1	BRUSH DECK ASSEMBLY	



Pos.	Vare-nr	Antal	Beskrivelse	Notes
1		1	K1	
2		1	K1	
3		1	K1	
4		1	K1	
5		4	K1/K2/K6	
6	VS13603	1	GARDEN COUPLING	
7		1	K1	
8		1	K2	
9		1	K2	
10	VS13301	1	SOLUTION TANK	
11	VS13207	1	BATTERY CONNECTIONS	
12		2	SCREW TM4X45	
13	VF85435	1	RECOVERY TANK CABLE	
14		2	K3	
15		8	K3	
16		2	K3	
17		2	K3	
18	VS10312A	1	FILTER COVER	
19		2	K4	
20		1	K4	
21		1	K4	
22		2	K4	
23	VS10313	1	FILTER SUPPORT	
24		2	K5	
25		1	K5	
26		2	BATTERIES	
27	VS10329	1	TRAY BATTERY	
28		3	K4	
K1	VS13701	1	WATER LEVEL PIPE KIT	
K2	VS13702	4	WIRE CLASPS KIT	
K3	VS13703	1	HINGE KIT	
K4	VS13704	1	FILTER COVER KIT	
K5	VS13705	1	DECAL SC530 NILFISK KIT	
K6	VF85007	1	TANK CABLE KIT	
K7	910000065	1	MOPPEHOLDER & KURV KIT	[1]

## Part Notes:

[1] - Optional

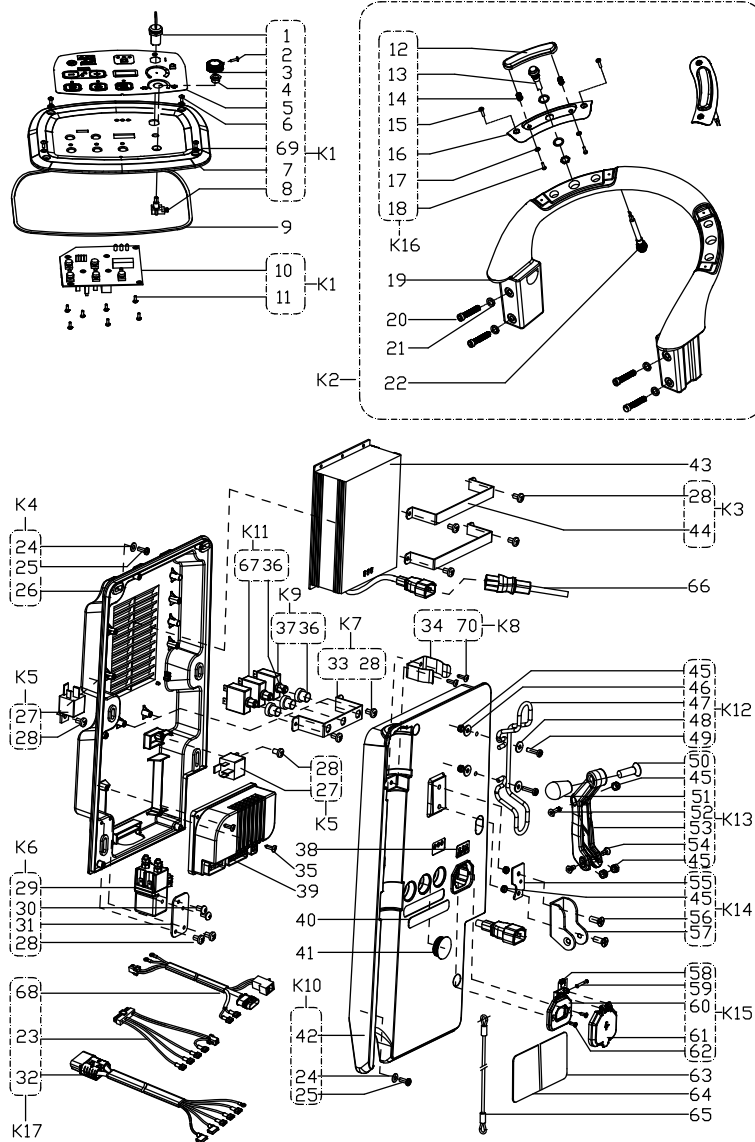


Pos.	Vare-nr	Antal	Beskrivelse	Notes
1	VS13303	1	RECOVERY TANK LID	
2	VS13607	1	GASKET	
4		1	K1	[1]
5		1	K1	[1]
6	30010021	1	FLOATING BALL	[1]
7		1	K1	[1]
8	VS13304	1	RECOVERY TANK	
10		1	K2	
11	VF90520	1	VACUUM MOTOR	
12		1	K2	
13		1	K2	
14		2	K2	
15		1	K3	
16		4	K3	
17		4	K3	
18		5	K3	
19		4	K4	
20		1	K4	
21		4	K4	
22		1	K4	
23	VS13316	1	BEND TUBE	
24	VA20304	1	CLAMP	
25	VS13602	1	DRAIN HOSE	
26	VS10601	1	SUCTION HOSE	
27	VF90522	2	CARBON BRUSH FOR VACUUM MOTOR	
28	VR27100	1	WATERPROOF CASE	
K1	VF90534	1	FLOAT KIT	
K2	VS10112	1	GASKET VACUUM MOTOR KIT	
K3	VS10113	1	VACUUM MOTOR COVER KIT	
K4	VS13720	1	ELBOW ADAPTOR KIT	
K5	9100000795	1	Grovfilter kit	[2]

## Part Notes:

- [1] - K1  
 [2] - Optional



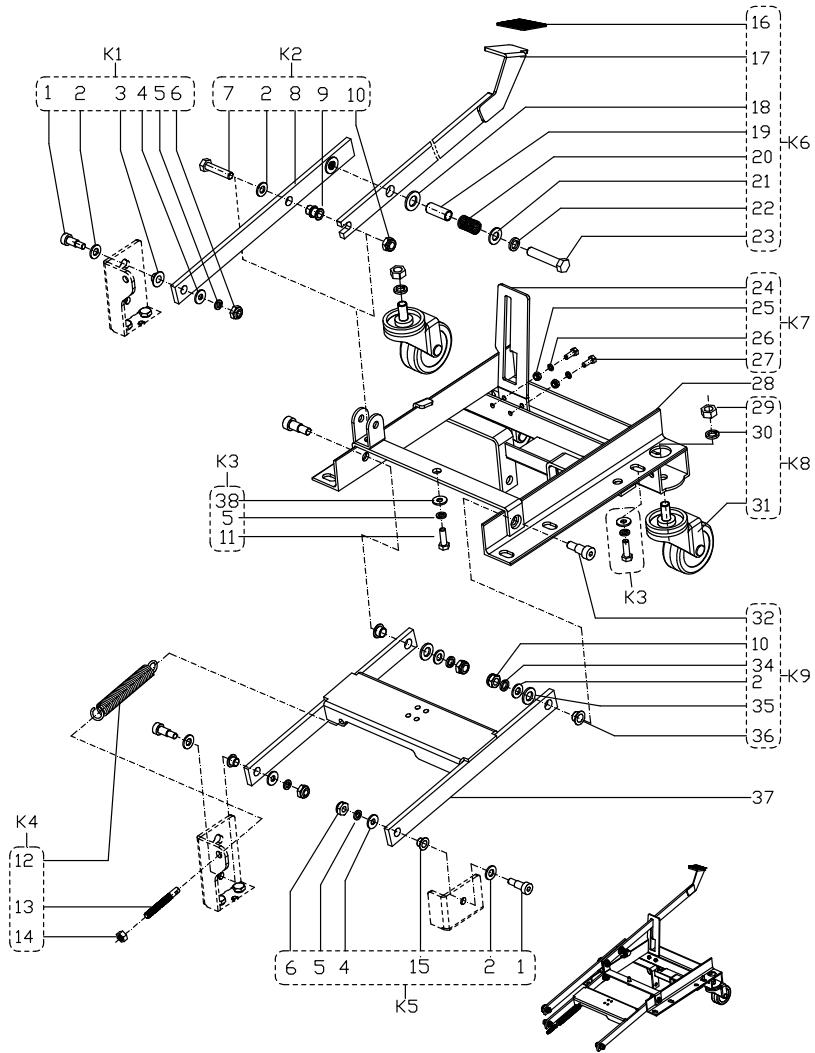


Pos.	Vare-nr	Antal	Beskrivelse	Notes
1	9100001354	1	SWITCH KEY WITH CAP PKD	
2		1	K1	[1]
3	VS10315	1	AJUST SPEED KNOB	[1]
4		1	K1	[1]
5	VS13001	1	CONTROL PANEL DECAL WITH TRACTION	[1]
6		4	K1	
7	VS13305	1	CONTROL PANEL	
8	VS10213	1	POTENTIOMETER	[1]
9	VS13604	1	EVA GASKET	
10	VS13201	1	CONTROL PANEL BOARD	
11		7	K1	
12		1	K16	
13	VS10202	1	SWITCH	
14		2	K16	
15		2	K16	
16		1	K16	
17		2	K16	
18		2	K16	
19	VS13309	1	HANDLEBAR WITH TRACTION	[1]
20		4	K2	
21		4	K2	
22	VS10202	1	SWITCH	[1]
23	VS10208	1	HARNESS CONTROL CIRCUIT WITH TRACTION	[1]
24		10	K4/K10	
25		10	K4/K10	
26		1	K4	
27	VS10201	1	RELAY 24V	
28		8	K3//K6K7	
29	909 5127 000	1	Relæ, BA 410 (Børste)	
30		2	K6	
31		1	K6	
32	VS13202	1	WIRE HARNESS WITH TRACTION	[1]
33		1	K7	
34		1	K8	
35		4	K8	
36		1	K9	
37	ZD48320	1	CIRCUIT BREAKER 30A	
38		1	LABEL BATTERY LEVEL	
39	VS10209	1	ELECTRONIC BOARD TRACTION SYSTEM	[1]
40		1	RESET LABEL WITH TRACTION	[1]
41		1	CAP BLACK	
42		1	K10	
43	VS10204	1	Indbygget oplader 24V 13A	
44		2	K3	
45		5	K12/K13/K14	
46		2	K12	
47		1	K12	
48		2	K12	
49		2	K12	
50		1	K13	
51		1	K13	
52		1	K13	
53		1	K13	
54		2	K13	
55		1	K14	
56		2	K14	
57		1	K14	
58		1	K15	
59		1	K15	

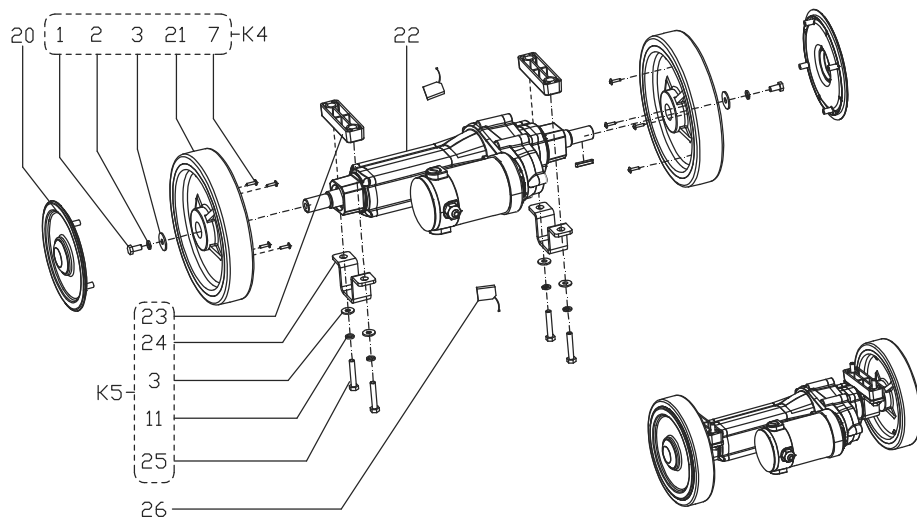
Pos.	Vare-nr	Antal	Beskrivelse	Notes
60		1	K15	
61		1	K15	
62		2	K15	
63		1	WARNING LABEL	
64		1	SERIAL NUMBER LABEL	[1]
65	VS13503	1	CABLE SQUEEGEE LIFT	
66	VF89725	1	POWER LINE EU	[2]
66	VF89726	1	CHARGING CABLE UK PLUG	[2]
67	VF99012	1	CIRCUIT BREAKER 12 AMP	[1]
68		1	K17	
69		4	K1	
70		2	K8	
K1	VS13714	1	CONTROL PANEL KIT WITH TRACTION	[1]
K2	VS13715	1	HANDLE KIT WITH TRACTION	[1]
K3	VS10125	1	CHARGER FIX BRACKET KIT	
K4	VS10121	1	CONTROL BOX BOTTOM KIT	
K5	VS10230	2	RELAY 24V KIT	[1]
K6	VS10231	1	ELECTROMAGNETIC SWITCH KIT	
K7	VS10122	1	FIX BRACKET KIT	
K8	VF90275	1	CLAMP DRAIN HOSE KIT	
K9	VS10232	2	CIRCUIT BREAKER KIT	
K10	VS13719	1	CONTROL BOX COVER KIT	
K11	VS11201	1	CIRCUIT BREAKER KIT WITH TRACTION	[1]
K12	VF90280	1	CORD WRAP KIT	
K13	VS13718	1	LEVER SQUEEGEE LIFTING KIT	
K14	VF90276	1	HAND BRACKET KIT	
K15	VS10126	1	CHARGER SOKET KIT	
K16	VS13708	2	SWITCH HANDLE ASSY	
K17	VS13722	1	WIRE HARNESS KIT WITH TRACTION	[1]

## Part Notes:

- [1] - ONLY FOR MACHINE WITH TRACTION  
 [2] - Optional



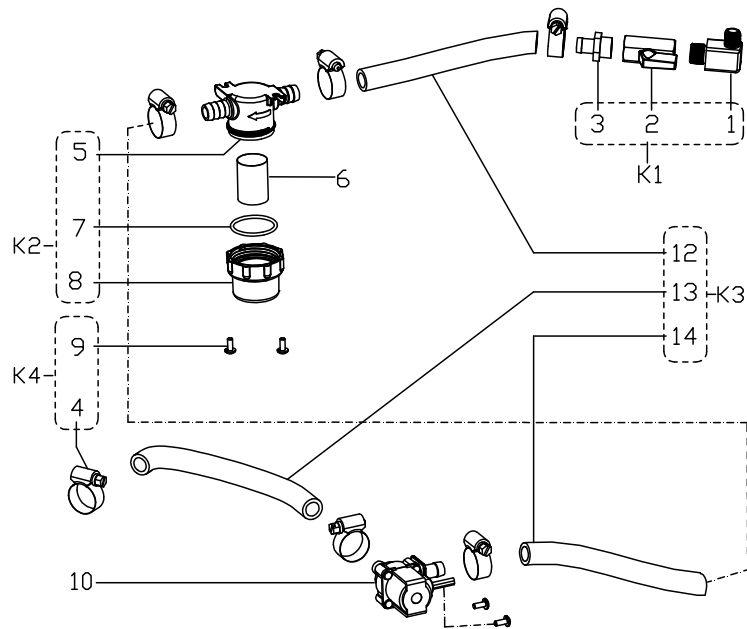
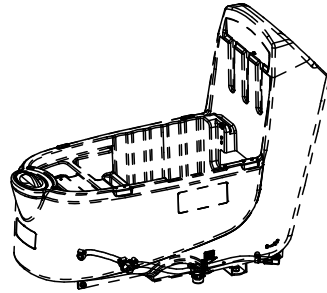
Pos.	Vare-nr	Antal	Beskrivelse	Notes
1		3	K1/K5	
2		4	K1/K2/K5/K9	
3		1	K1	
4		3	K1/ K5	
5		5	K1/K3/K5	
6		2	K1/K5	
7		1	K2	
8		1	K2	
9		1	K2	
10		2	K2/K9	
11		3	K3	
12		1	K4	
13		1	K4	
14		1	K4	
15		1	K5	
16		1	K6	
17		1	K6	
18		1	K6	
19		1	K6	
20		1	K6	
21		1	K6	
22		1	K6	
23		1	K6	
24		1	K7	
25		2	K7	
26		2	K7	
27		2	K7	
28	VS10406	1	CHASSIS	
29		1	K8	
30		1	K8	
31	VS10501	1	3 INCH CASTER	
32		1	K9	
34		1	K9	
35		1	K9	
36		1	K9	
37	VS10404	1	BRUSH LIFTING SUPPORT	
38		3	K3	
K1	VS10134	1	SCREW KIT 1	
K2	VS10138	1	FORNT PEDAL BRUSH LIFTING KIT	
K3	VS10135	1	SCREW KIT 2	
K4	VS10139	1	SPRING KIT	
K5	VS10136	2	SCREW KIT 3	
K6	VS10140	1	BACK PEDAL BRUSH LIFTING KIT	
K7	VS10141	1	PEDAL SUPPORT KIT	
K8	VS10142	2	3 INCH CASTER KIT	
K9	VS10137	2	SCREW KIT 4	



---

Pos.	Vare-nr	Antal	Beskrivelse	Notes
1		2	K4	
2		2	K4	
3		8	K4/K5	
7		8	K4	
11		6	K5	
20	VS13314	2	WHEEL COVER	
21		2	K4	
22	VS11702	1	MOTOR TRACTION	
23		1	K5	
24		1	K5	
25		2	K5	
26	VS11703	2	CARBON BRUSH KIT	
K4	VS13710	2	8 INCH WHEEL WITH TRACTION KIT	
K5	VS10147	2	TRACTION MOUNT KIT	

---

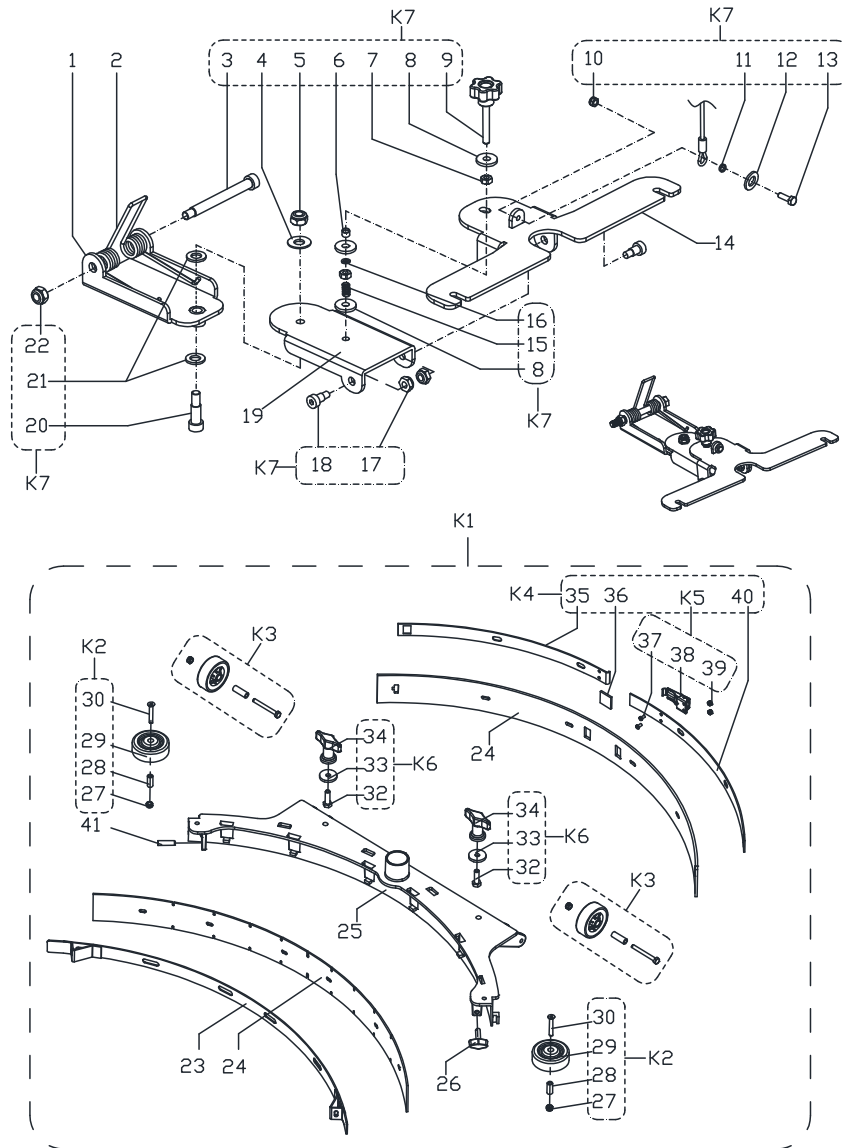




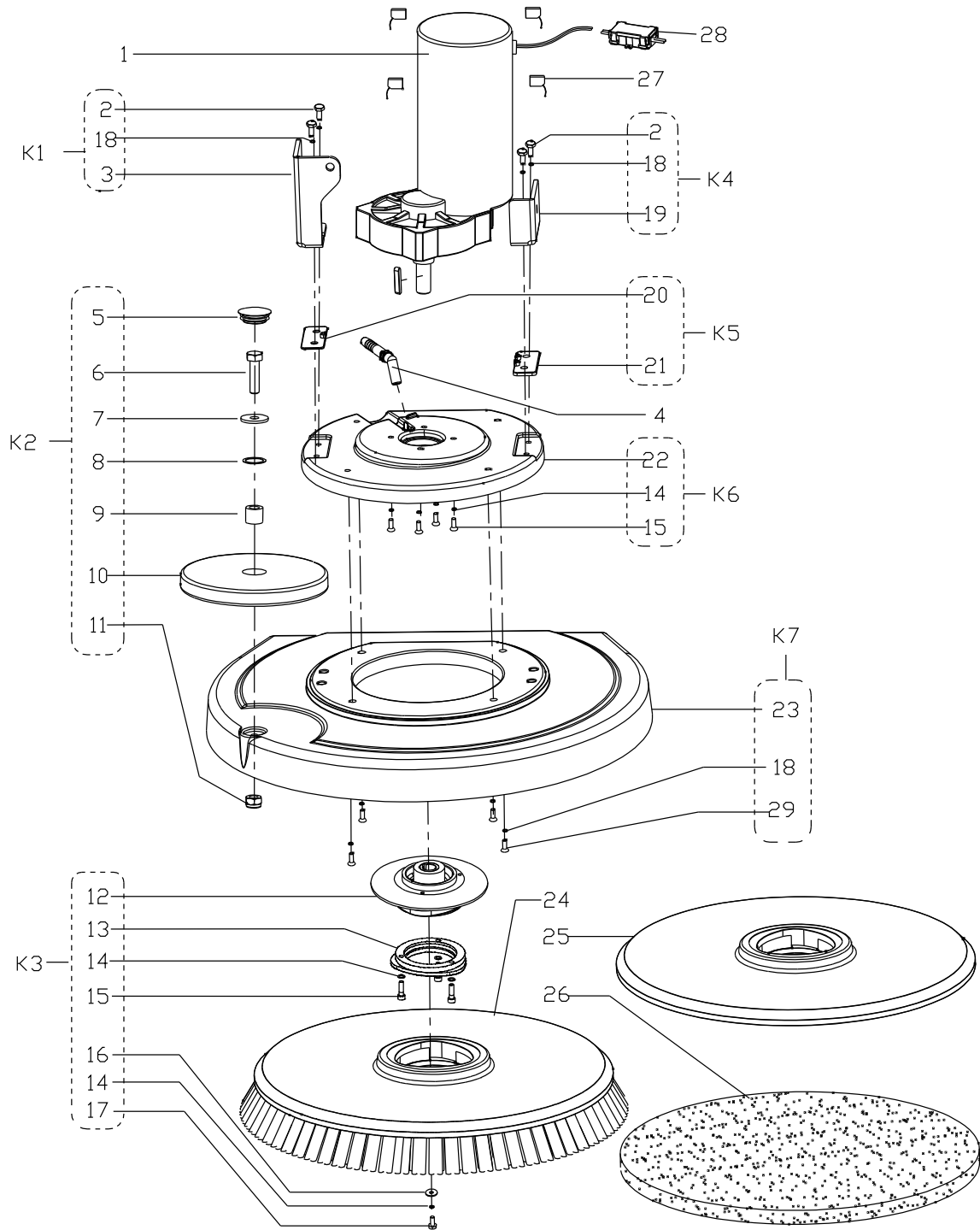
---

Pos.	Vare-nr	Antal	Beskrivelse	Notes
1		1	K1	
2		1	K1	
3		1	K1	
4		6	K4	
5		1	K2	
6	VF90608	1	FILTER NET	
7		1	K2	
8		1	K2	
9		4	K4	
10	VF90282	1	SOLENOID VALVE KIT	
12		1	K3	
13		1	K3	
14		1	K3	
K1	VF91064	1	BALL VALVE KIT	
K2	VF91061	1	FILTER KIT	
K3	VS10149	1	TUBE KIT 750MM	
K4	VS10148	1	SCREW AND CLAMP KIT	

---



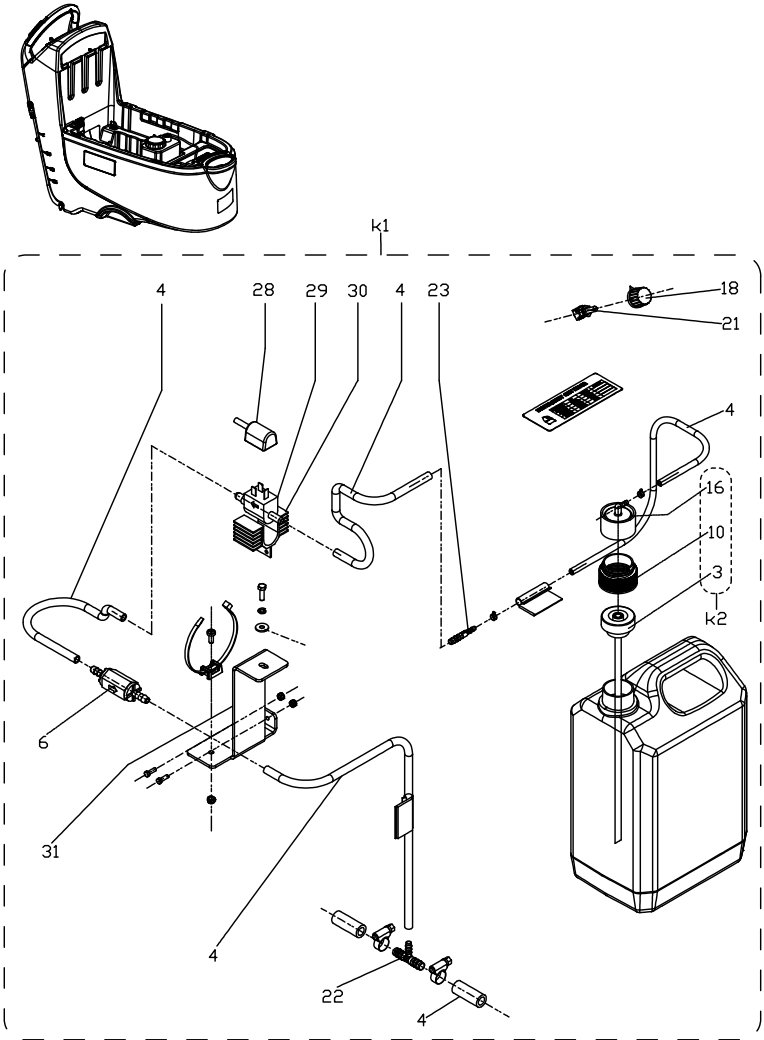
Pos.	Vare-nr	Antal	Beskrivelse	Notes
1	VS10401	1	FRONT SQUEEGEE SUPPORT	
2	VF91014	1	SQUEEGEE SPRING	
3		1	K7	
4		1	K7	
5		1	K7	
6		1	K7	
7		2	K7	
8		3	K7	
9	VF85104	1	HANDWHEEL M8X55	
10		1	K7	
11		1	K7	
12		1	K7	
13		1	K7	
14	VF91012	1	COATING SQUEEGEE CONNECTOR PLATE	
15		1	K7	
16		1	K7	
17		2	K7	
18		2	K7	
19	VS13401	1	BACK SQUEEGEE SUPPORT	
20		1	K7	
21		2	K7	
22		1	K7	
23	VF85311	1	SQUEEGEE FRONT STRAP	
24X	9100000279	1	Sugegummi kit sværefri 29" 740 mm	
24X	909 6858 000	1	Sugegummi kit polyurethan 29" 740 mm	
25	909 6044 000	1	"Sugefod 30"" Kun Metaldel "	
26	9100000791	1	KNOB M8X30 THD STUD SS PKD	
27		2	K2	
28		2	K2	
29		2	K2	
30		2	K2	
31		2	K3	
32		2	K6	
33		2	K6	
34		2	K6	
35		1	K4	
36		1	K4	
37		2	K5	
38		1	K5	
39		2	K5	
40		1	K4	
41	909 6600 000	1	SCREW GRUB M8X30 CUP POINT SS ISO4029	
K1	909 6851 000	1	Sugefod, komplet	
K2	909 6884 000	1	Påkørselshjul, Kit	
K3	909 6883 000	1	Hjul For Squeegeerkit	
K4	909 6882 000	1	Skinnekit	
K5	909 6394 000	1	Latch Squeegee Kit	
K6	9097637000	1	Monteringsskrue (2 Stk)	
K7	VS13711	1	HARDWARE SQUEEGEE SUPPORT KIT	



Pos.	Vare-nr	Antal	Beskrivelse	Notes
1	VS10702	1	ØRUSH MOTOR KIT	
2		8	K1/K4/K7	
3		1	K1	
4	VS10337	1	ELBOW	
5		1	K2	
6		1	K2	
7		1	K2	
8		1	K2	
9		1	K2	
10	VF91053	1	ROLLER BUMPER	
11		1	K2	
12	VF85122	1	HUB BRUSH RIGHT	
13	VF85129	1	BRUSH HUB	
14		8	K3/K6	
15		7	K3/K6	
16		1	K3	
17		1	K3	
18		8	K1/K4/K7	
19		1	K4	
20		1	K5	[1]
21		1	K5	[1]
22		1	K6	
23		1	K7	
24	VF91040	1	BRUSH	[2]
24	L08837025	1	Børste Prolene 21" Ø530 mm	[2]
25	9099671000	1	Rondelholder 20" Ø508 mm Velcro	
26	10001961	1	Eco Pad sort 21" Ø533 mm (5 stk.)	[2]
26	10001962	1	Eco Pad blå 21" Ø533 mm (5 stk.)	[2]
26	10001963	1	Eco Pad brun 21" Ø533 mm (5 stk.)	[2]
26	10001964	1	Eco Pad grøn 21" Ø533 mm (5 stk.)	[2]
26	10001965	1	Eco Pad rød 21" Ø533 mm (5 stk.)	[2]
26	10001966	1	Eco Pad hvid 21" Ø533 mm (5 stk.)	[2]
26	10002352	1	Eco Brilliance Pad rød 21" Ø533 (2 stk)	[2]
26	10002354	1	Eco Brilliance Pad gul 21" Ø533 (2 stk)	[2]
26	10002355	1	Eco Brilliance Pad grøn 21" Ø533 (2stk)	[2]
27	VF89116	4	CARBON BRUSH KIT	
28	VR27100	1	WATERPROOF CASE	
29		4	K7	
K1	VS10127	1	LONG CONNECTION PLATE KIT	
K2	VF85017	1	BUMPER ROLLER KIT	
K3	VF85002	1	HOLDER POLYG. WITH FLAGE KIT	[3]
K4	VS10132	1	SHORT CONNECTION PLATE KIT	
K5	VS13712	1	PLATE KIT	[1]
K6	VS10128	1	MOTOR FIXING PLATE KIT	
K7	VS13713	1	BRUSH DECK KIT	

Part Notes:

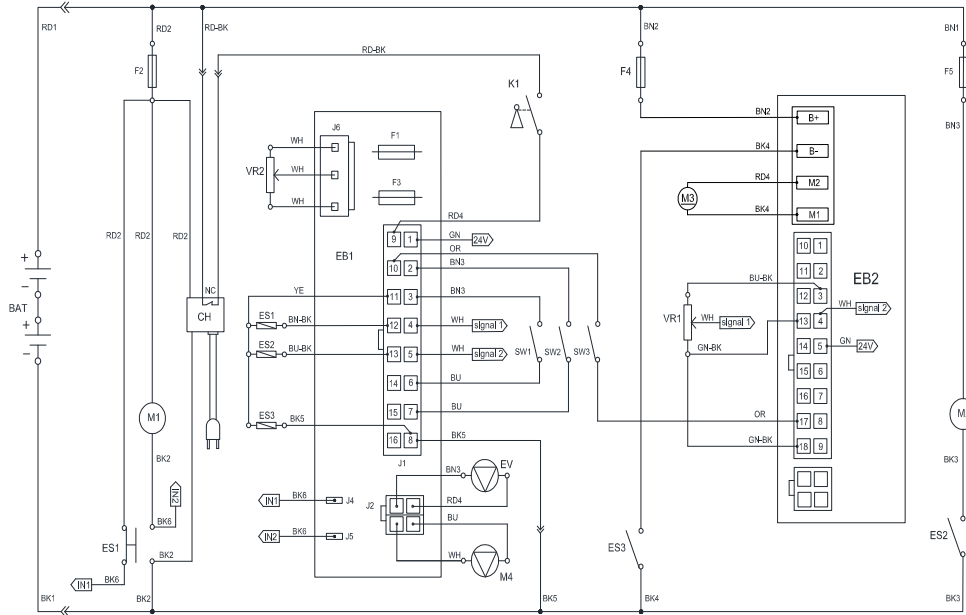
- [1] - WITHOUT TRACTION
- [2] - Optional
- [3] - GUARANTEE DATE EXPIRED



Pos.	Vare-nr	Antal	Beskrivelse	Notes
3		1	SYPHON HOSE VALVE(SEE ADAPTER CAP ASSY)	
4	9097175000	1	HOSES CHEMICAL MIX KIT	
6	9097030000	1	VALVE ONE-WAY 1/4	
10		1	ADAPTER(SEE ADAPTER CAP ASSY)	
16		1	CAP DRY BREAK(SEE ADAPTER CAP ASSY)	
18	145 4719 000	1	Knop For Potentiometer	
21	909 6076 000	1	Potentiometer	
22	909 6092 000	1	HOLDER RUBBER T	
23	909 6090 000	1	HOLDER RUBBER STRAIGHT	
28	9097041000	1	HARNES CHEMICAL PUMP	
29	53721A	1	Kemipumpe	
30	61772A	1	BRACKET CHEMICAL PUMP	
31	9097084000	1	BRACKET PUMP SUPPORT	
K1	9097160000	1	Sæbe-mix-system	[1]
K2	54778A	1	Adapter, 38Mm	

## Part Notes:

- [1] - Optional  
9097159000. Chemical mixing system PN. 9097160000





Pos.	Vare-nr	Antal	Beskrivelse	Notes
BAT		1	24V BATTERIES	
CH	VS10204	1	Indbygget oplader 24V 13A	
EB1	VS13201	1	CONTROL PANEL BOARD	
EB2	VS10209	1	ELECTRONIC BOARD TRACTION SYSTEM	
ES1	909 5127 000	1	Relæ, BA 410 (Børste)	
ES2	VS10201	1	RELAY 24V	
ES3	VS10201	1	RELAY 24V	
F1	VS13208	1	LOW POWER CIRCUIT FUSE	
F2	ZD48320	1	CIRCUIT BREAKER 30A	
F3	VS13209		BRUSH RELEASE FUSE	
F4	VF99012	1	CIRCUIT BREAKER 12 AMP	
F5	ZD48320	1	CIRCUIT BREAKER 30A	
K1	9100001354	1	SWITCH KEY WITH CAP PKD	
M1	VS10702	1	BRUSH MOTOR KIT	
M2	VF90520	1	VACUUM MOTOR	
M3	VS11702	1	MOTOR TRACTION	
M4	VF90282	1	SOLENOID VALVE KIT	
M5		1	DETERGENT PUMP	
SW1	VS10202	1	SWITCH	
SW2	VS10202	1	SWITCH	
SW3	VS10202	1	SWITCH	
VR1	VS10213	1	POTENTIOMETER	
VR2		1	DETERGENT PUMP POTENTIOMETER	

