

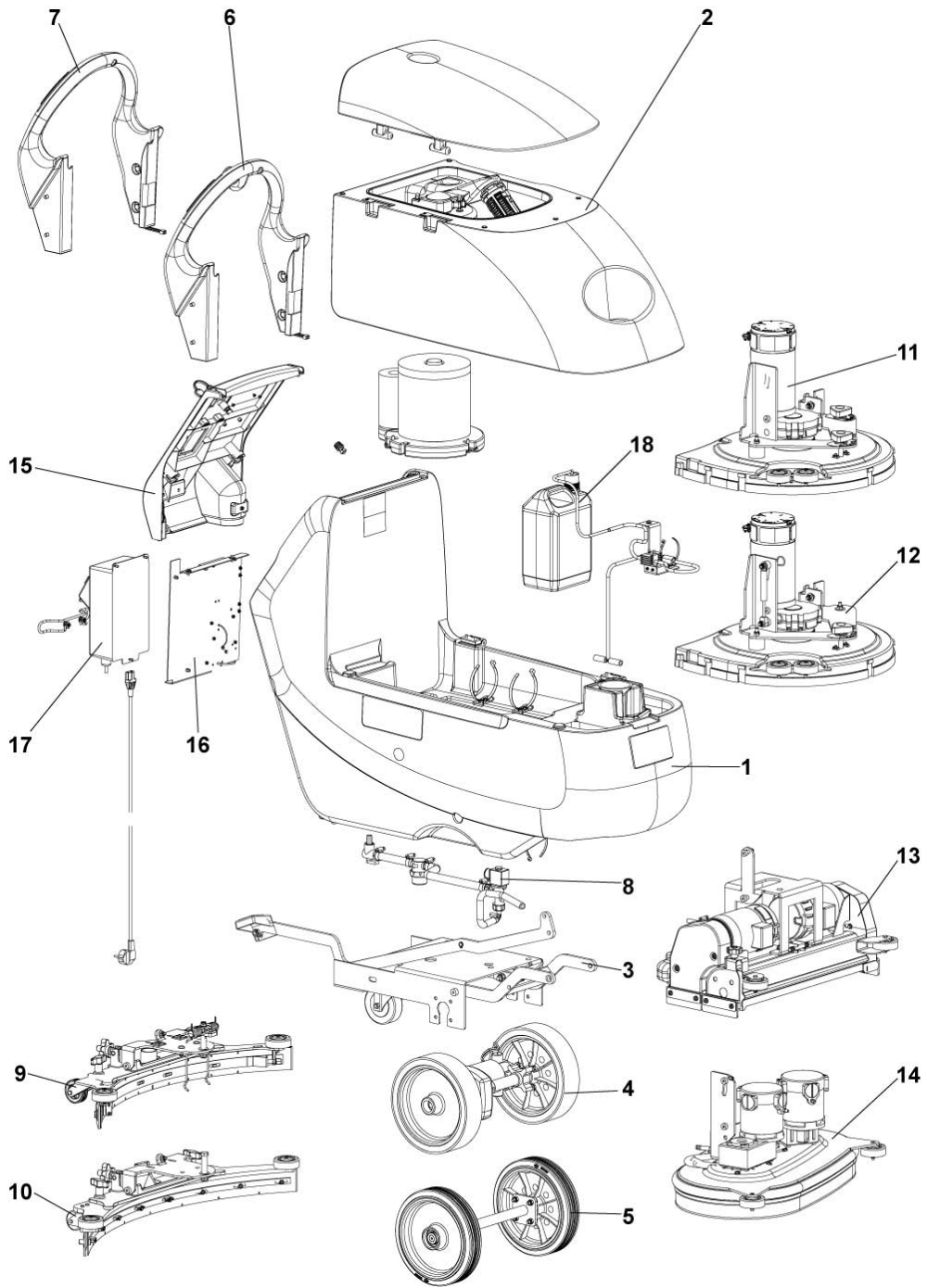
PARTS LIST



2017.08.01

TABLE OF CONTENTS

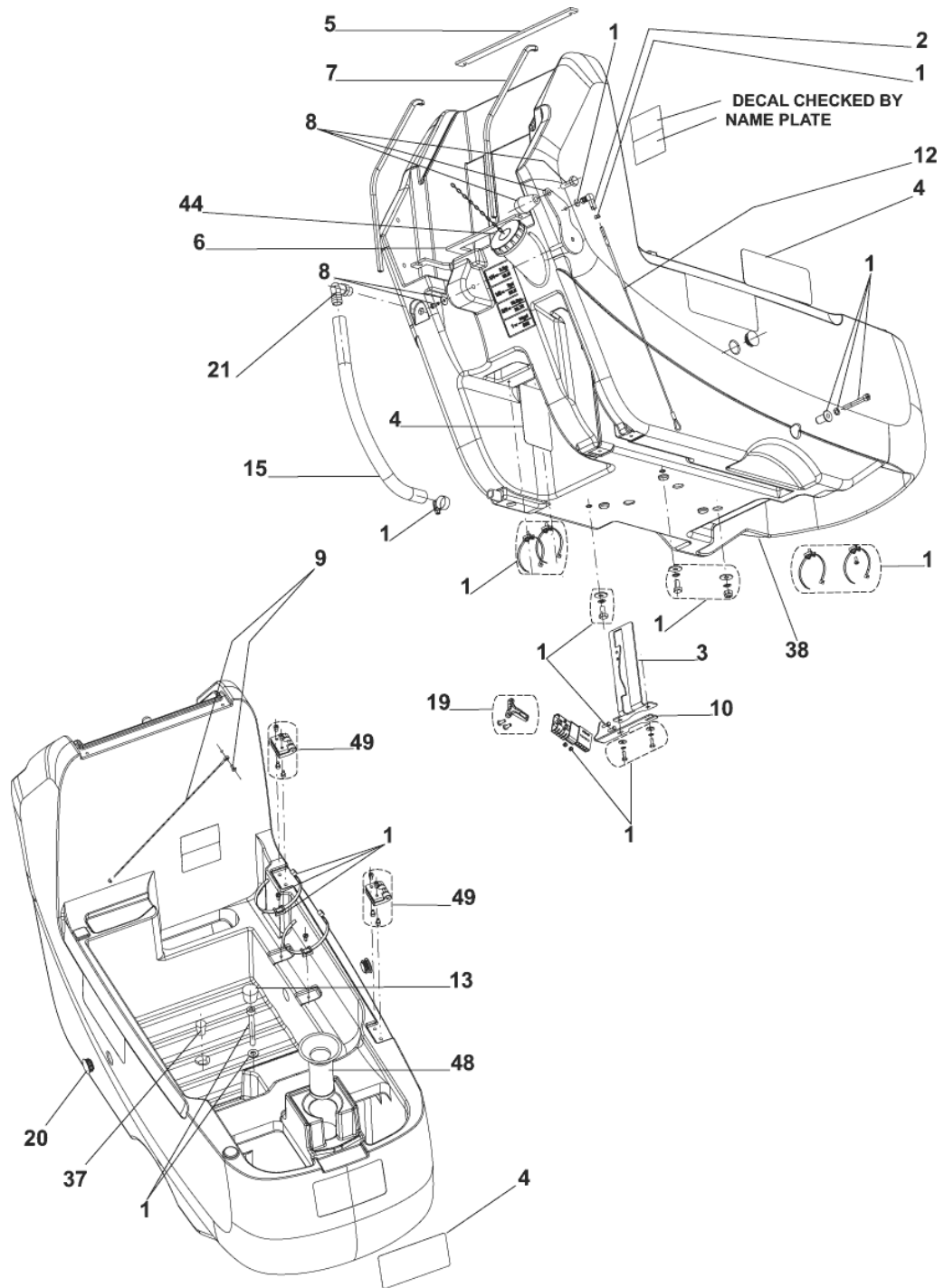
General view	1
Solution tank	3
Recovery tank	5
Chassis system	7
Wheels with - without traction	9
Handle assembly with - without traction	11
Solution system	13
Squeegee system 653B-653BL-651BCL	15
Squeegee system 661BL	17
Brush system 653B	19
Brush system 653BL	21
Brush system 651BCL	23
Brush system 661BL after SN. 082116498	25
Accessories	27
Accessories Extra pressure - Splash guard kits	29
Control panel system	31
Electrical components 653B	33
Electrical components 653BL-651BCL-661BL	35
Accessory: Battery charger	37
Accessories chemical mixing system 653BL-653BL-651BCL-661BL	39
Recommended spare parts	41
Accessories list	44



Pos.	Vare-nr	Antal	Beskrivelse	Notes
1		1	Solution tank - use link	[1]
2		1	Recovery tank - use link	[2]
3		1	Chassis system - use link	[3]
4		1	Wheels and traction 653BL, 651BCL, 661BL - use link	[4]
5		1	Wheels system 653B	[5]
6		1	Handle assembly 653BL, 651BCL, 661BL - use link	[6]
7		1	Handle assembly 652B - use link	[7]
8		1	Solution system - use link	[8]
9		1	Squeegee system 653B, 653BL, 651BCL - use link	[9]
10		1	Squeegee system 661BL - use link	[10]
11		1	Brush system 653B - use link	[11]
12		1	Brush system 653BL - use link	[12]
13		1	Cyl. Brush system 651BCL - use link	[13]
14		1	Brush sytem 661BL - use links	[14]
15		1	Control panel system - use link	[15]
16		1	Electrical components - use links	[16]
17		1	Battery charger - use link	[17]
18		1	Chemical mixing system - use link	[18]

Part Notes:

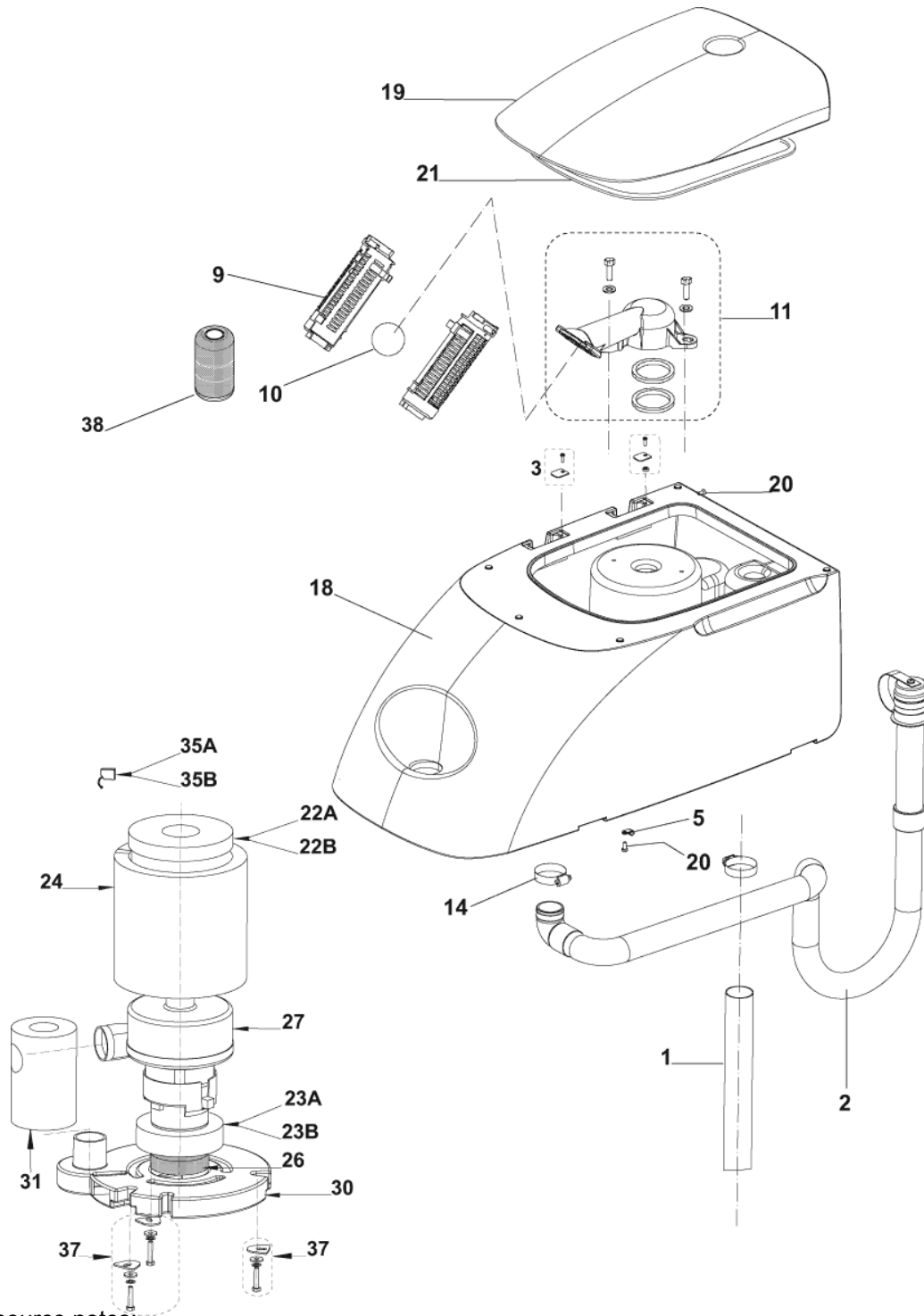
- [1] - SOLUTION TANKSolution tank
- [2] - RECOVERY TANKRecovery tank
- [3] - CHASSIS SYSTEMChassis system
- [4] - WHEELS AND TRACTION 653BL-651BCL-661BLWheels with - without traction
- [5] - WHEELS SYSTEM 653BWheels with - without traction
- [6] - HANDLE ASSEMBLY 653BL-651BCL-661BL
Handle assembly with - without traction
- [7] - HANDLE ASSEMBLY 652BHandle assembly with - without traction
- [8] - SOLUTION SYSTEMSolution system
- [9] - SQUEEGEE SYSTEM 653B-653BL-651BCL
Squeegee system 653B-653BL-651BCL
- [10] - SQUEEGEE SYSTEM 661BLSqueegee system 661BL
- [11] - BRUSH SYSTEM 653BBrush system 653B
- [12] - BRUSH SYSTEM 653BLBrush system 653BL
- [13] - CYL. BRUSH SYSTEM 651BCLBrush system 651BCL
- [14] - BRUSH SYSTEM 661BL
Brush system 661BL after SN. 082116498
Squeegee system 661BL
- [15] - CONTROL PANEL SYSTEMControl panel system
- [16] - ELECTRICAL COMPONENTS
Electrical components 653BAnd Electrical components 653BL-651BCL-661BL
- [17] - BATTERY CHARGERAccessory: Battery charger
- [18] - CHEMICAL MIXING SYSTEMAccessories chemical mixing system 653BL-653BL-651BCL-661BL



Pos.	Vare-nr	Antal	Beskrivelse	Notes
00	9098033000	1	GASKET HANDLE BAR	[1]
1	9098265000	1	Mont.Sæt F. Rentvandstank	
2	145 8479 000	1	Vinkel, M6	
3	909 6493 000	1	SUPPORT PEDAL	
4	9100001521	1	DECALS SCRUB. 651/653/661 B/BL/BCL KIT	[2]
4	9100001571	1	DECALS SCRUBTEC 661 BL COMBI ALTO KIT	[3]
5	909 6596 000	1	Gasket	
6	909 6597 000	1	Gasket	
7	909 6892 000	2	Gasket L 960	
8	9097630000	1	Plade For Løft Af Sugefod	
9	909 6874 000	1	Cable Tank Kit	
10	909 6649 000	1	BRACKET CONNECTOR SUPPORT	
12	9098675000	1	Wire Til Sugefod	
13	909 6673 000	1	CAP BLACK BP6	
15	909 6521 000	1	Slange For Rent Vand	
19	9100000885	1	HANDLE F BATTERY CONNECTOR SIP	
20	33023302	2	CAP BLACK SIP	
21	9100000771	1	FITTING 90. M 3/8-18 NPT HOSE D.19 PKD	
37	909 6236 000	1	Gummigennemføring, Sort	
38	9097012000	1	Tank Solution 55 Lt Blue	
44	909 6554 000	1	Cap With Chain	
48	9097192000	1	Filter	
49	9098329000	1	Hinges Kit	

Part Notes:

- [1] - NOT SHOWN
- [2] - BRAND Nilfisk-ALTO
- [3] - BRAND ALTO



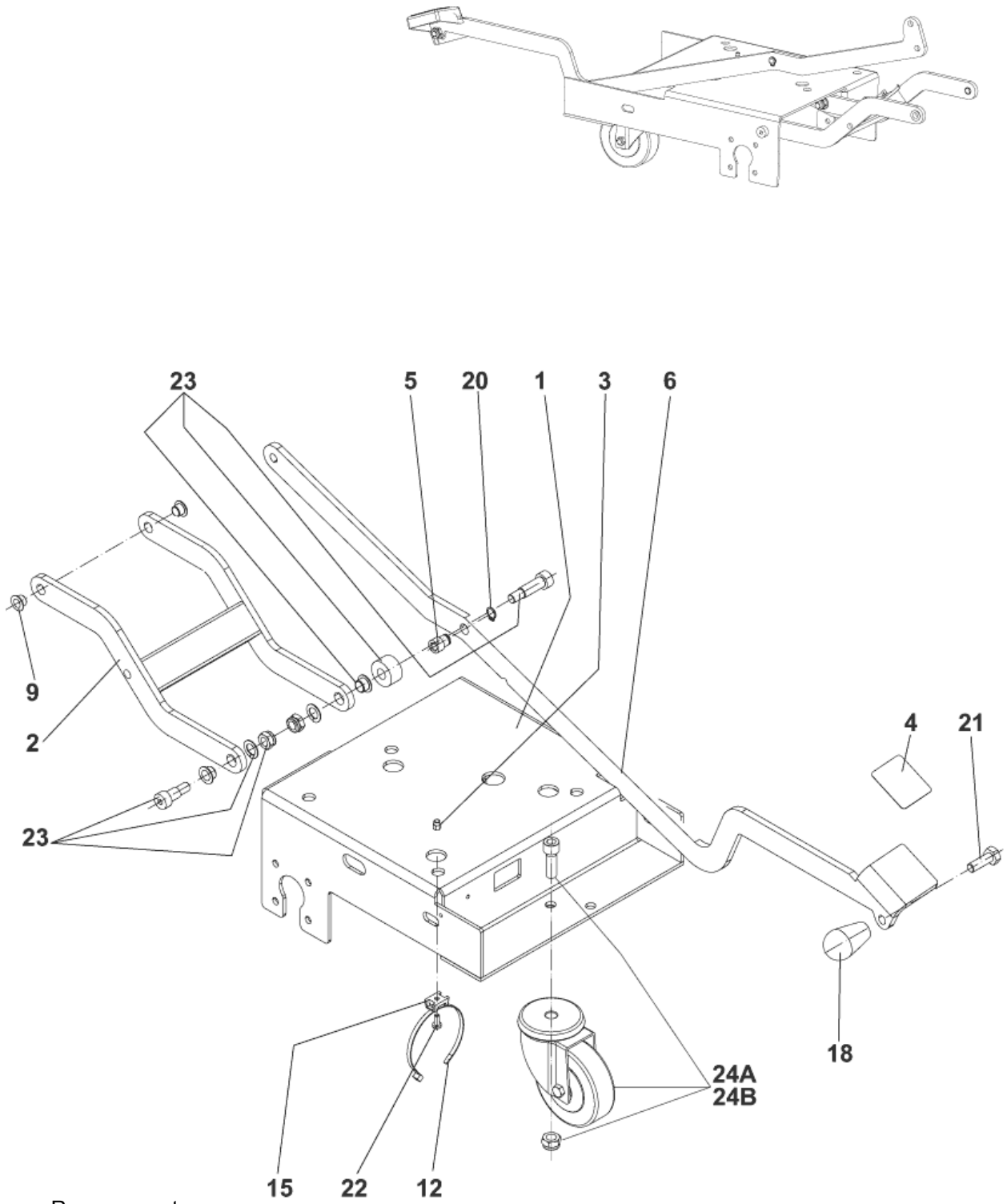
Resource notes:

AFOR MOTOR 9099401000 (AMETEK) BFOR MOTOR 9098062000 (VIPER)

Pos.	Vare-nr	Antal	Beskrivelse	Notes
00	909 6876 000	1	Hardware Cage Sup.Fix.Kit	[1]
1	9099853000	1	HOSE SQUEEGEE VACUUM BLACK KIT	
2	9100001892	1	HOSE DRAIN L.1480MM 90 BLACK PKD	
3	9097654000	1	Holder, Låg	
5	L08239900	1	CLAMP D.6 WHITE	
9	9100000818	1	CAGE FLOAT HALF 2 PCS SET	
10	9100000817	1	BALL FLOATING PKD	
11	9100001875	1	SUPPORT FLOAT KIT	[2]
14	9100001348	1	CLAMP 14/32-52 10 PCS SET	
18	9097013000	1	Snavsvandtank Scrubtec 653	
19	9100002283	1	COVER TANK 55 LT BLUE SIP	
20	33005124	2	SCREW M5X12 C/SUNK FLAT HD PHIL ISO7046	
21	909 6901 000	1	Pakning	
22A	909 6489 000	1	Gasket Vacuum Motor	
22B	9098055000	1	GASKET VACUUM MOTOR	
23A	909 6490 000	1	Gasket Vacuum Motor	
23B	9097555000	1	Gasket vacuum moter	
24	909 6491 000	1	Panel Acoustic Insulation	
26	909 6672 000	1	Filter	
27	9099401000	1	Motor Vacuum Kit	
30	9100001246	1	COVER VACUUM MOTOR PKD	
31	909 6442 000	1	Pipe,Acoustic Insulation	
35A	909 5371 000	2	Kul, Sugemotor 410/343	
35B	9098231000	1	Carbon Brush Kit 2Pcs	
37	909 6877 000	1	Hardware Motor Fixing Kit	
38	909 5065 000	1	Anti-skumfilter	[3]

Part Notes:

- [1] - due to ODM/ECN 2810 should have been considered valid for all
Machine configurations which were using it ONLY Before Serial Number 081813772 (Beginning of May 2008).
GUARANTEE DATE EXPIRED
- NOT SHOWN - FOR OLD TYPE CAGE SUP.FIXING
- [2] - SEE INST. INSTR. 9100001876
- [3] - OPTIONAL - SE TSB IT 2008-002



Resource notes:

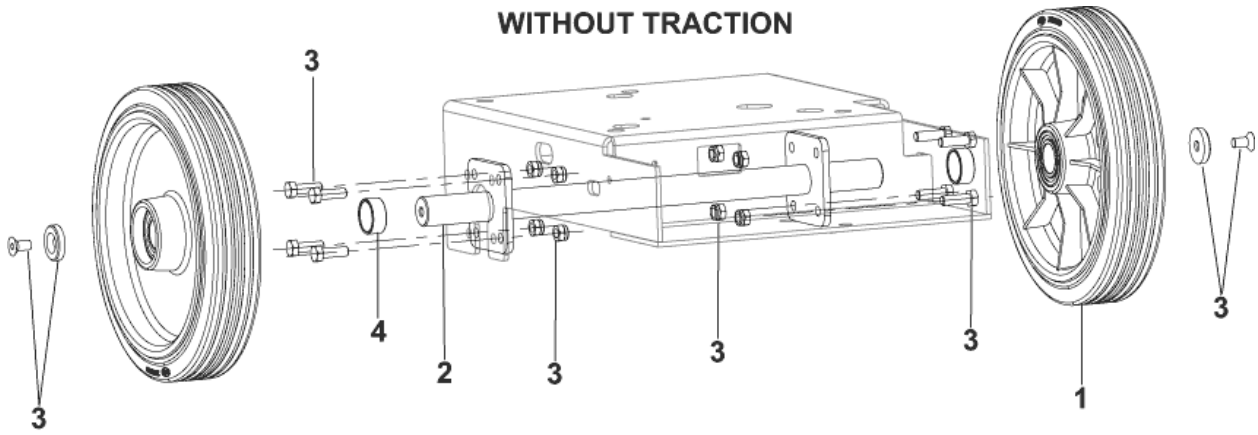
AONLY FOR SCRUBBER WITH DRIVE BONLY FOR SCRUBBER WITHOUT DRIVE

Pos.	Vare-nr	Antal	Beskrivelse	Notes
1	909 6481 000	1	CHASSIS	[1]
2	909 6486 000	1	Børstedæk Ophæng BA 551Cd	
3	145 6132 000	1	INSERT M5	
4	909 6539 000	1	MAT.ANTISKID	
5	909 6540 000	1	BUSH FLANGED	
6	9100001782	1	PEDAL BRUSH LIFTING SIP	
9	909 6594 000	3	BEARING FLANGE IGLIDUR GFM-1012-09	
12	1466344000	1	TIE CABLE 4.8x200 BLACK 10 PCS SET	
15	909 6595 000	1	HOLDER.FLAT TIE	
18A	909 6621 000	1	Knob	
20	33006051	1	Ring D 12 UNI7435	
21A	33004010	1	SCREW M10X30 HEX HD F/THD ISO4017	
22	909 6337 000	1	SCREW M5X12 PAN HD PHIL ISO7045	
23	909 6878 000	1	Hardware Chas. Fixing Kit	
24	9098947000	1	Bløde drejhjul	[2]
24A	909 6880 000	1	Castorhjul Kit	
24B	909 6880 000	1	Castorhjul Kit	
25	9100000335	1	STRAP ANTISTATIC KIT	[3]

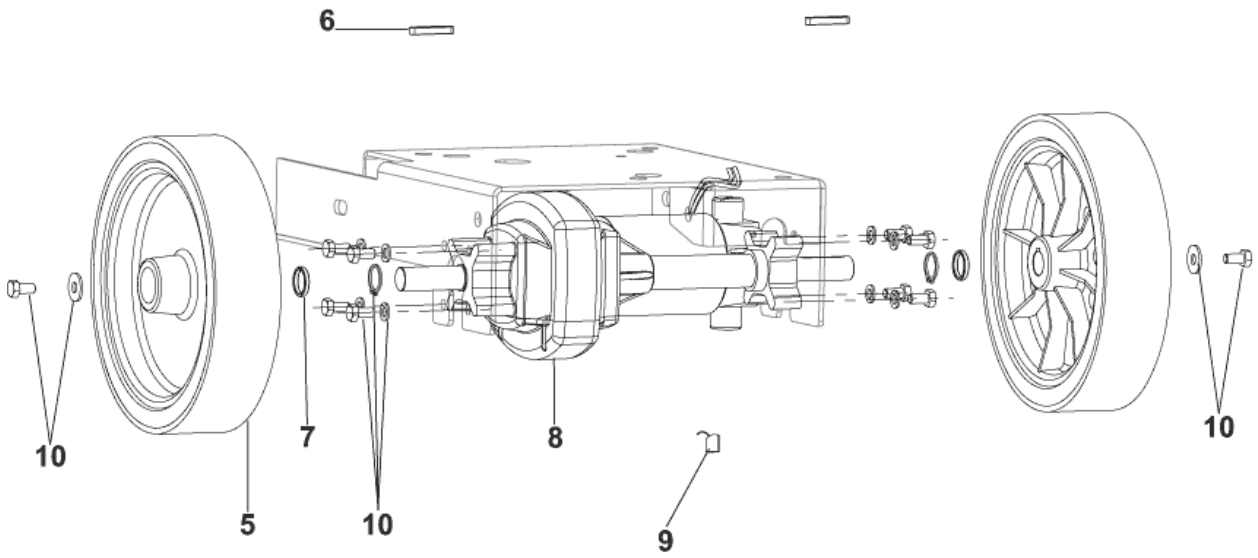
Part Notes:

- [1] - STOCK COVERS GUARANTEE
- [2] - OPTIONAL
- [3] - NOT SHOWN

WITHOUT TRACTION



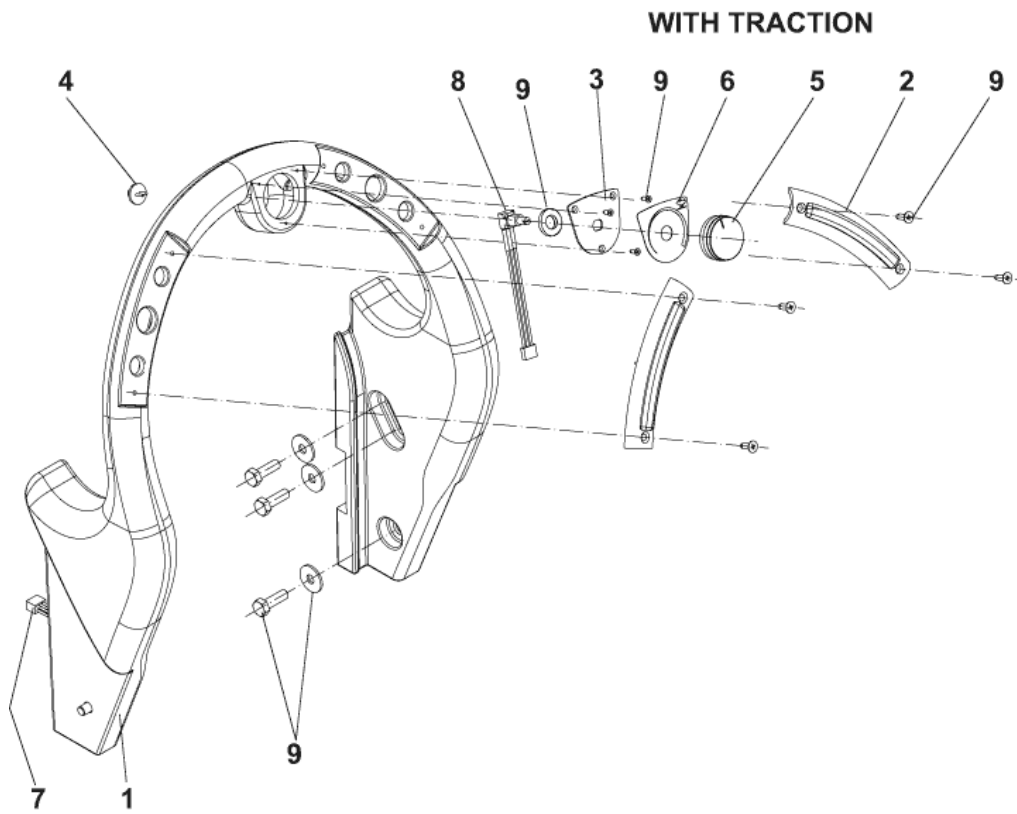
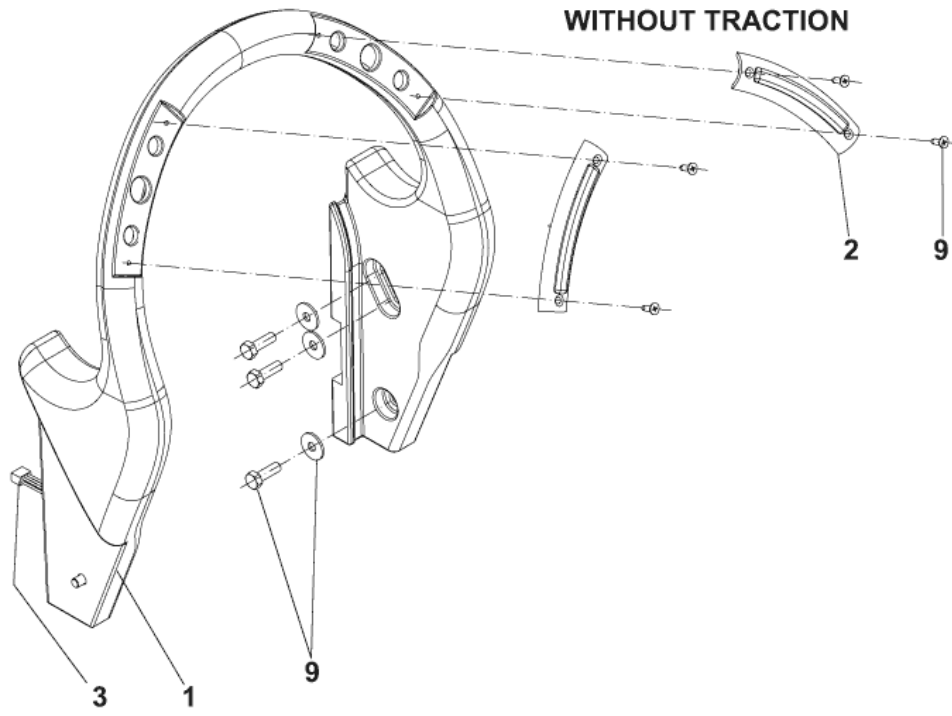
WITH TRACTION



Pos.	Vare-nr	Antal	Beskrivelse	Notes
1	9097085000	2	WHEEL FRONT D.250 BLUE	
2	9100002135	1	SHAFT WHEELS PHOS. SIP	
3	9098299000	1	HARDWARE WHEELS KIT	
4	9098452000	1	HARDWARE WHEELS SYSTEM KIT	
5	9099691000	1	WHEELS KIT	
5	9097026000	2	Trækjul, olieresistente, Ø300 mm	[1]
6	146 0769 000	2	KEY 6X6X40 UNI6604A	
7	9100001161	1	SPACER 20.5X25X4 10 PCS SET	
8	909 6548 000	1	Køremotor 200W 24V Ba450/551/611	
9	145 5124 000	2	Kul F. Aw 455 Børstemotor	
10	9098298000	1	HARDWARE DRIVE WHEELS KIT	

Part Notes:

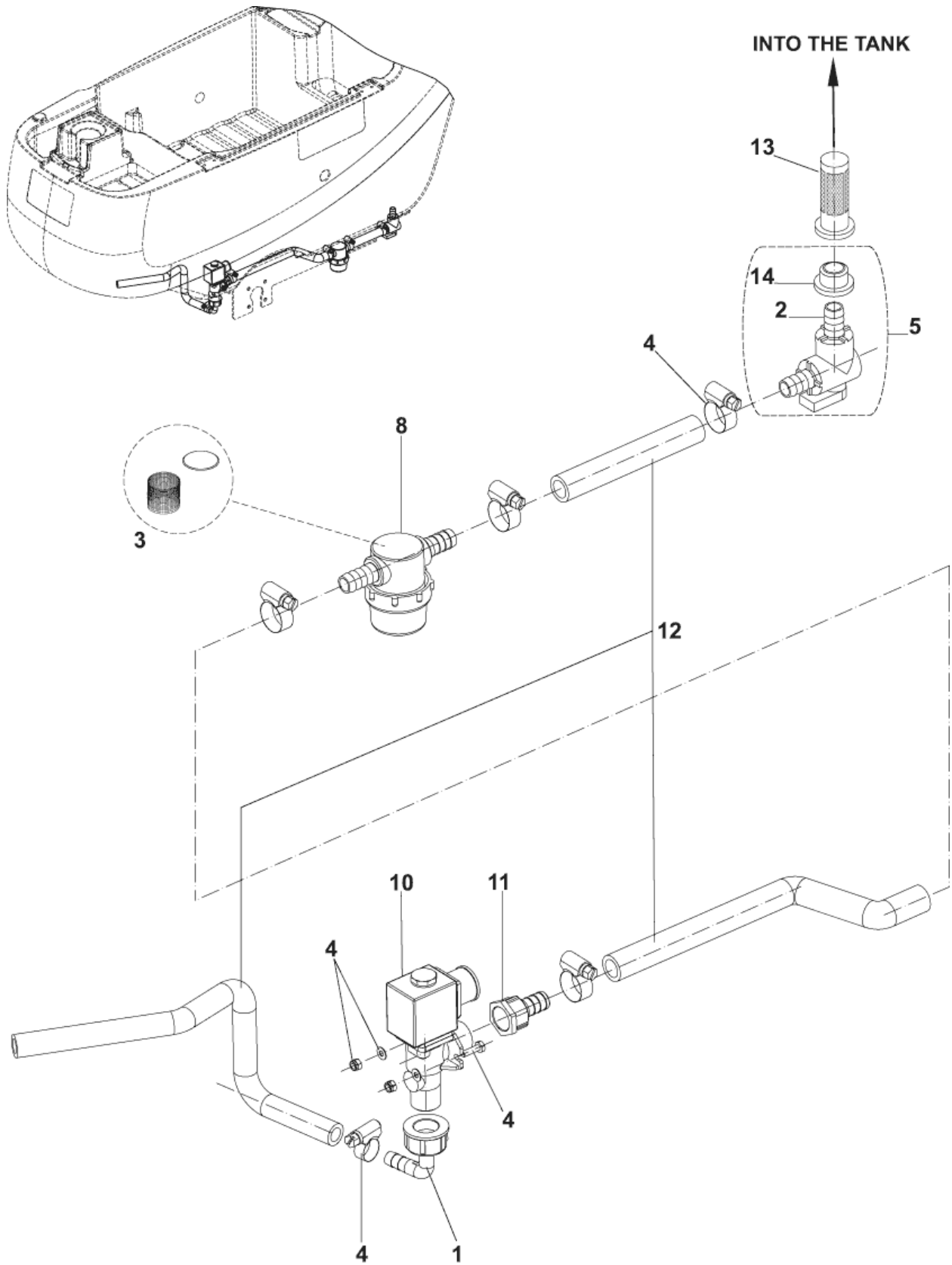
[1] - OPTIONAL



Pos.	Vare-nr	Antal	Beskrivelse	Notes
1	9097021000	1	HANDLE BAR PLASTIC	[1]
1	9097018000	1	Handle Bar Drive Version	[2]
2	9100000467	1	SWITCHES CPL YELLOW F HANDLE BAR KIT	[3]
3	9097031000	1	Plate Potentiometer	[2]
3	9097036000	1	HARNESS HANDLE BAR	[1]
4	9097153000	1	Kontakt	[3]
5	9098484000	1	Knop	[2]
6	9097071000	1	Decal Traction Control	[2]
7	9097035000	1	HARNESS HANDLE BAR	[2]
8	9097043000	1	Potentiometer Scrubtex 661Bd	[2]
9	9098330000	1	HARDWARE HANDLE SYSTEM KIT	

Part Notes:

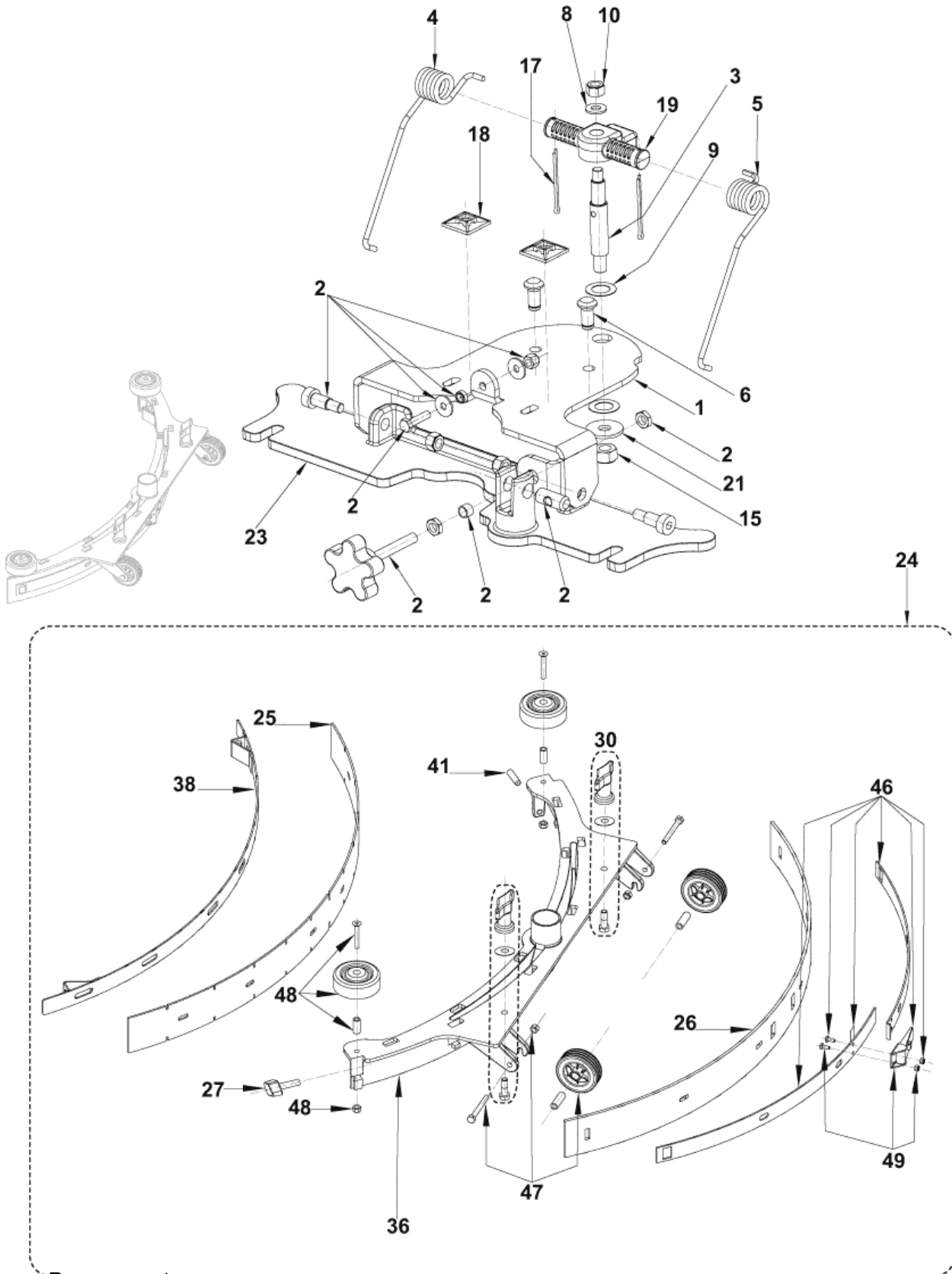
- [1] - SCRUBTEC 653 B
- [2] - SCRUBTEC 653 BL - 651 BCL - 661 BL
- [3] - SCRUBTEC 653B - 653 BL - 651 BCL - 661 BL



Pos.	Vare-nr	Antal	Beskrivelse	Notes
1	9098777000	1	Vinkel	
2	9100000803	1	VALVE ELBOW PKD	
3	L08603893	1	Filternet+Pakn. Til 909 5151 000	
4	9098301000	1	HARDWARE SOLUTION SYSTEM KIT	
5	9097626000	1	Ventil	
8	9097154000	1	Filter Complete Kit	
10	909 6555 000	1	Solenoid Valve 24V	
11	9100002148	1	BARB HOSE STRAIGHT 1/2 D.13 PLAST. KIT	
12	9097171000	1	HOSES SOLENOID VALVE KIT	
13	9100001353	1	FILTER SOLUTION TANK PKD	[1]
14	909 5286 000	1	Pakning BA 410	

Part Notes:

[1] - OPTIONAL



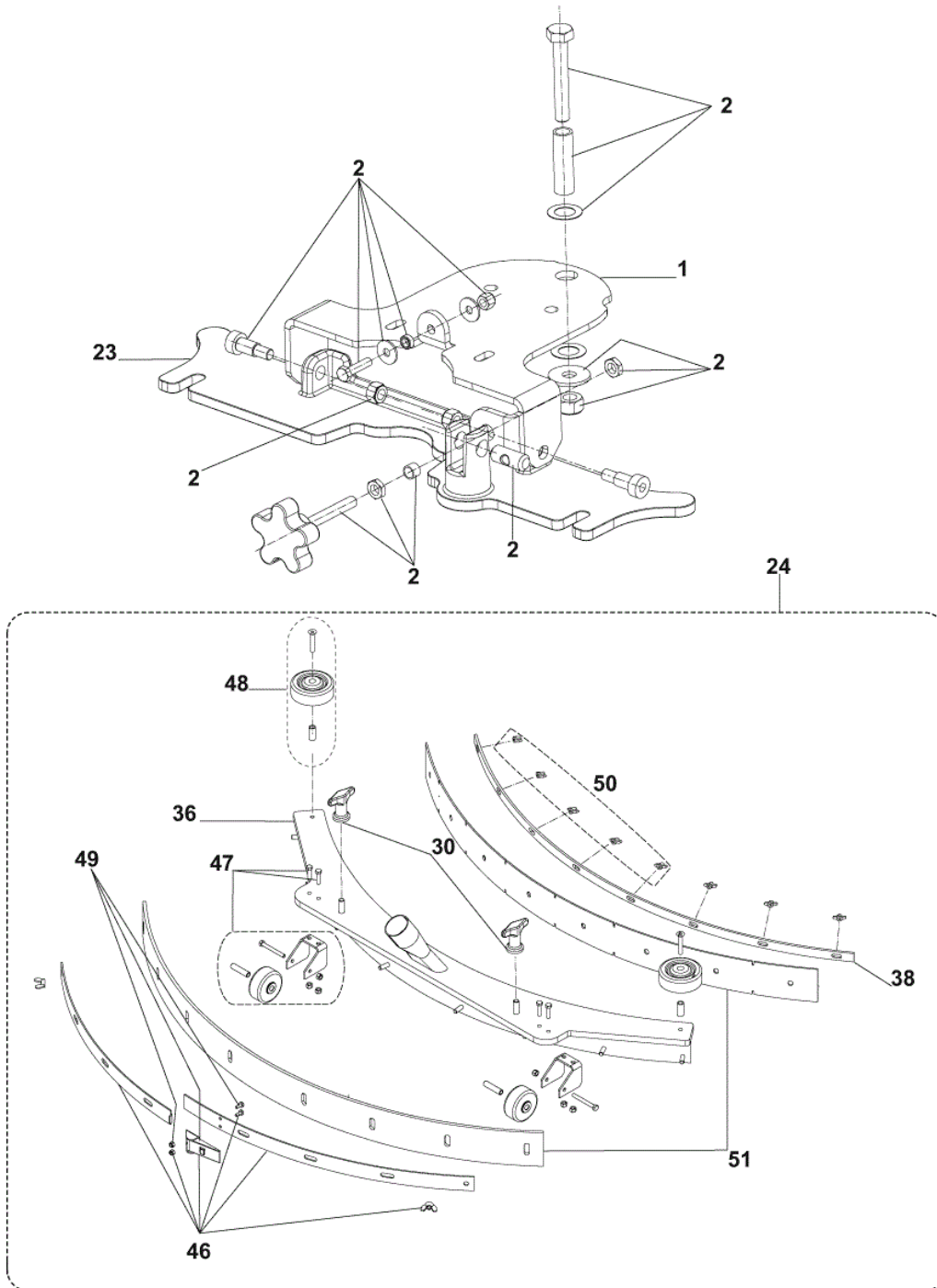
Resource notes:

POSITIONS 25-26: 909 6483 000 - 909 6484 000 included in the kit 909 6860 000

Pos.	Vare-nr	Antal	Beskrivelse	Notes
00	9097548000	1	Pakning, Nylon Kit Til Skviser	[1]
1	909 6494 000	1	Bracket, Squeegee Support	
2	909 6885 000	1	Squeegee Justeringskit Ba451-551	
3	909 6497 000	1	Bolt,Squeegee	
4	909 6537 000	1	Fjeder Til Squeegee	
5	909 6538 000	1	Fjeder Til Squeegee	
6	909 6543 000	2	Pin, Squeegee Fixing	[2]
8	33023208	1	WASHER M8 UNI6592 10 PCS SET	
9	L08238300	2	Skive	
10	33023574	1	NUT LOCK HEX M8 ISO10511 PCS 10 SET	
15	33005608	1	Møtrik M10 Uni7474	
17	33005758	2	Split Til Sugefod	
18	909 6635 000	2	Holder	
19	9100000515	1	SUPPORT SQUEEGEE SPRING PKD	
21	L08604251	1	Disc 10,5 Ba340/450/530	
23	909 6045 000	1	Beslag Til Sugefod	
24	909 6851 000	1	Sugefod, komplet	
25	9100000279	1	Sugegummi kit sværtefri 29" 740 mm	
27	9100000791	1	KNOB M8X30 THD STUD SS PKD	
30	9097637000	1	Monteringskrue (2 Stk)	
36	909 6044 000	1	"Sugefod 30"" Kun Metaldel "	
38	909 6055 000	1	Holder For Sugegummi	
41	909 6600 000	1	SCREW GRUB M8X30 CUP POINT SS ISO4029	
46	909 6882 000	1	Skinnekit	
47	909 6883 000	2	Hjul For Squeegeerkit	
48	909 6884 000	2	Påkørselshjul, Kit	
49	909 6394 000	1	Latch Squeegee Kit	

Part Notes:

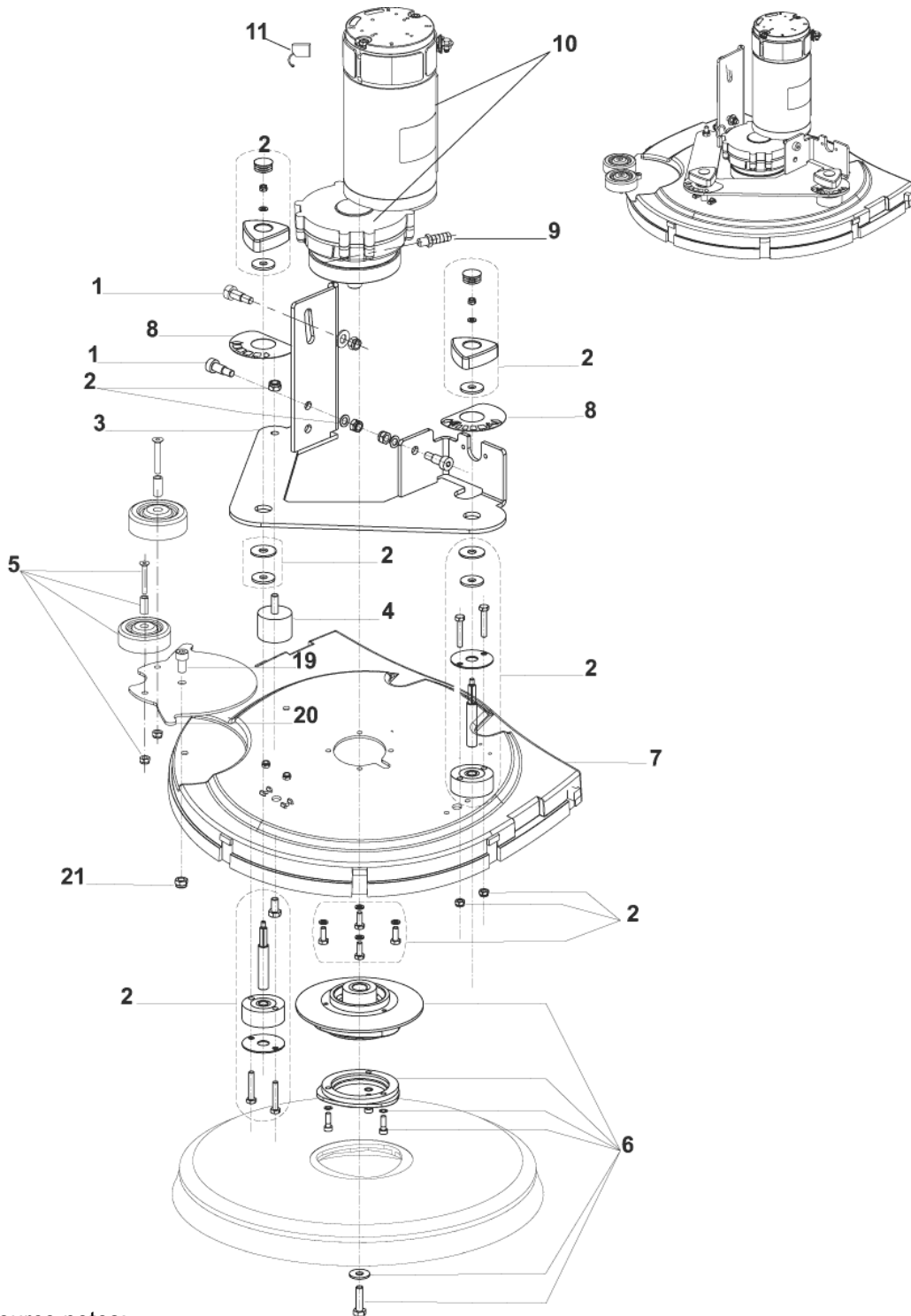
- [1] - NOT SHOWN - SEE IT 2007-031
 [2] - STOCK COVERS GUARANTEE



Pos.	Vare-nr	Antal	Beskrivelse	Notes
1	909 6494 000	1	Bracket, Squeegee Support	
2	9098527000	1	Hardware Squ. Fixing Supp	
23	909 6045 000	1	Beslag Til Sugefod	
24	909 5372 000	1	"Sugefod Kit 33"" Komplet "	
25	909 5629 000	1	Sugelæbe Front Ba600/Ba65 Afsmitningsfri	[1]
30	9097637000	1	Monteringsskrue (2 Stk)	
36	9100000962	1	SQUEEGEE SS 840MM/33 SIP	
38	L08603831	1	Strap Front	
46	909 6894 000	1	Hardware Squeegee Blade Fixing Kit	
47	9100000573	2	Hjul til sugefod kit	
48	L08603880	2	Stødhjulskit, Sugefod	
49	909 6394 000	1	Latch Squeegee Kit	
50	909 6356 000	2	Vingemøtrik-Sæt (2 Stk.)	
51	9100000280	1	Sugegummi kit sværtefri 33" 840 mm	[2]

Part Notes:

- [1] - OPTIONAL
 [2] - INCLUDES POS.25-26

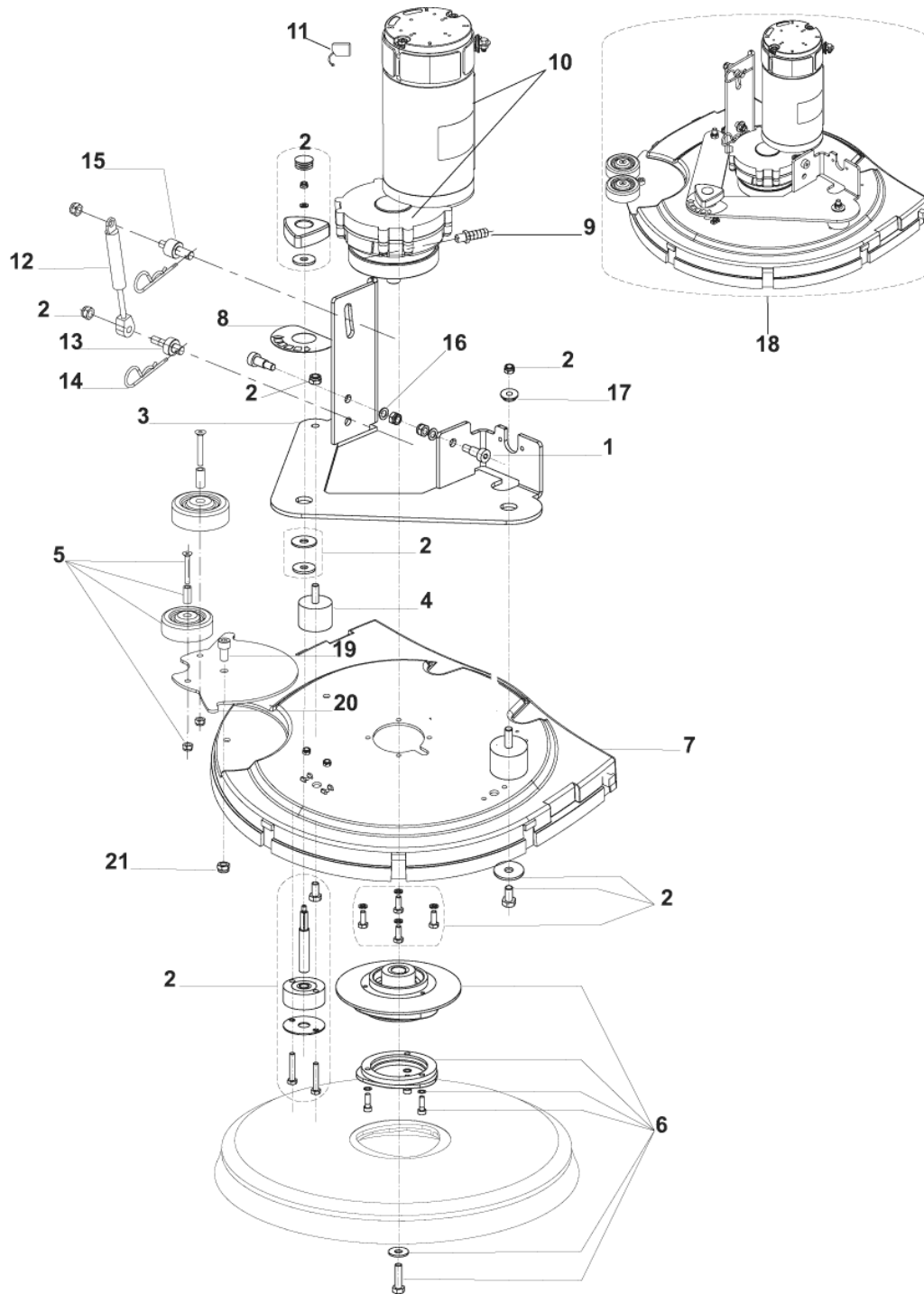


Resource notes:

Pos.	Vare-nr	Antal	Beskrivelse	Notes
00	9097599000	1	Beskyttelsessæt	[1]
1	9100001160	3	SCREW SHOUL 10X16 M8 ISO7379 10 PCS SET	
2	9099419000	1	Justeringsæt F. Børste	
3	909 6485 000	1	Plate Deck Brush Holder	
4	9100000868	1	VIBRATION DAMPING M8 60SH 2 PCS SET	
5	909 6355 000	2	Roller Bumper Kit	
6	9097093000	1	Børsteholder Poly Kit	
7	9097078000	1	DECK BRUSH BLACK 530 MM	
8	9100001521	1	DECALS SCRUB. 651/653/661 B/BL/BCL KIT	
9	L08601624	1	Slangestuds Plast	
10	9098308000	1	Gearmotor 450W 24V	[2]
10	1466147000		KEY 5X5X20 UNI6604A PKD	[3]
11	909 5380 000	1	Carbon Brush Kit	[4]
11	9098674000	1	CARBON BRUSHES KIT 4 PCS	[5]
11	9098376000	1	CARBON BRUSHES KIT 4 PCS	[6]
19	32400530	1	SCREW M8X16 BUTTON HD HEX SS ISO7380	
20	909 6887 000	1	Stødhjul	
21	145 0452 000	1	Skrue	

Part Notes:

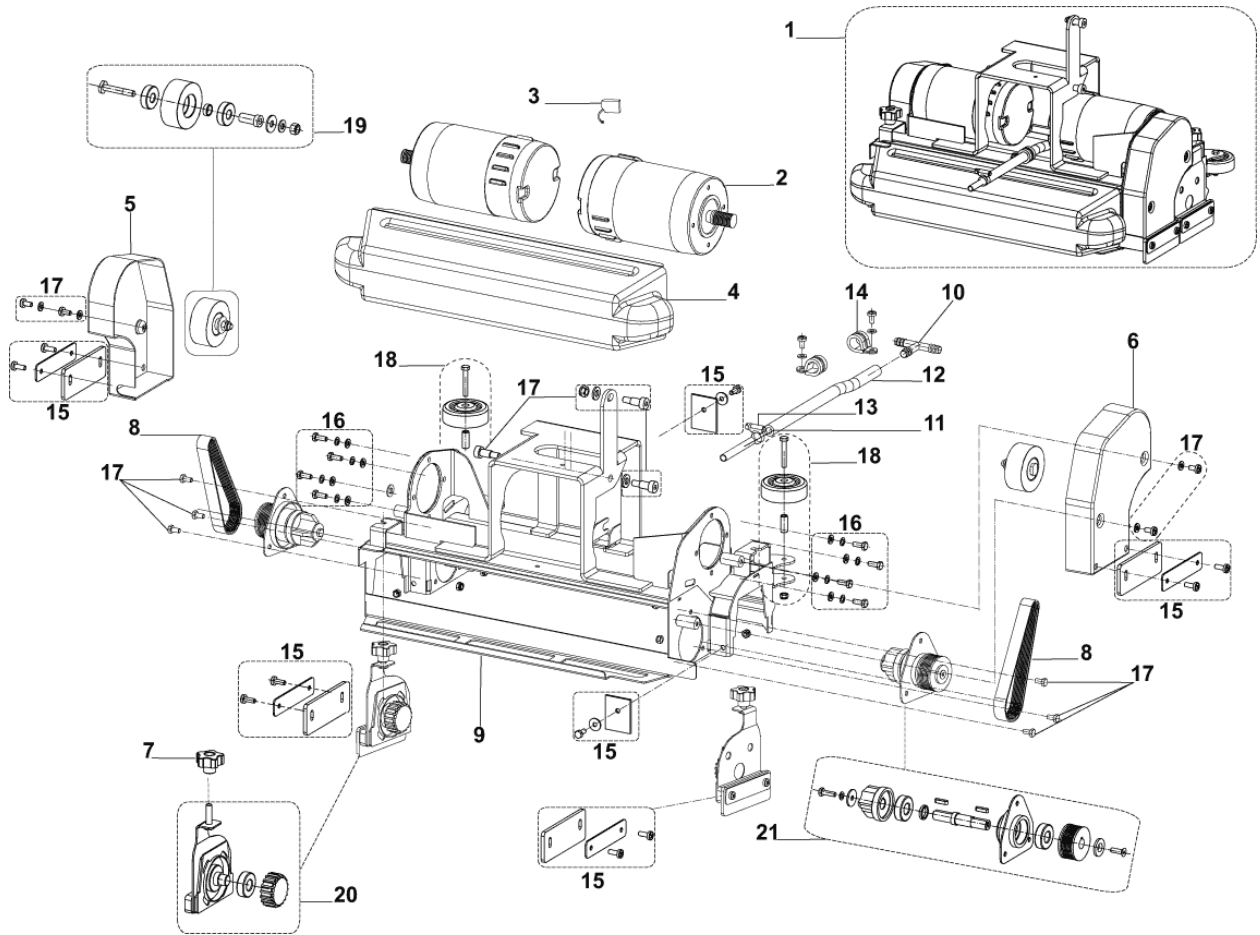
- [1] - SEE TSB-FC-2015-035
- NOT SHOWN - OPTIONAL - INST.INSTR. 9097600000 FOR 909 6546 000 - SEE TSB IT 2008-014
- see TSB FC 2015-035 (COMING SOON)
- [2] - STARTING FROM SN 101712160
- [3] - NOT SHOWN - ALREADY INCLUDED IN REDUCTION GEARMOTOR
- [4] - FOR REDUCTION GEARMOTOR 909 6546 000 (LEROY SOMER)
STOCK COVERS GUARANTEE
- [5] - FOR REDUCTION GEARMOTOR 9098352000 (VIPER)
GUARANTEE DATE EXPIRED
- [6] - FOR REDUCTION GEARMOTOR 9098308000 (AMER)



Pos.	Vare-nr	Antal	Beskrivelse	Notes
00	9097599000	1	Beskyttelsessæt	[1]
1	9100001160	2	SCREW SHOUL 10X16 M8 ISO7379 10 PCS SET	
2	9099419000	1	Justeringssæt F. Børste	
3	909 6485 000	1	Plate Deck Brush Holder	
4	9100000868	1	VIBRATION DAMPING M8 60SH 2 PCS SET	
5	909 6355 000	2	Roller Bumper Kit	
6	9097093000	1	Børsteholder Poly Kit	
7	9097078000	1	DECK BRUSH BLACK 530 MM	
8	9100001521	1	DECALS SCRUB. 651/653/661 B/BL/BCL KIT	
9	L08601624	1	Slangestuds Plast	
10	9098308000	1	Gearmotor 450W 24V	[2]
10	1466147000		KEY 5X5X20 UNI6604A PKD	[3]
11	909 5380 000	1	Carbon Brush Kit	[4]
11	9098376000	1	CARBON BRUSHES KIT 4 PCS	[5]
12	909 5637 000	1	Gas Fjeder	
13	909 6516 000	1	PIN LOWER	
14	1467692000	1	PIN SPRING COTTER 3X56 GALV. 2 PCS SET	
15	909 6515 000	1	Pin Upper	
16	33023224	2	WASHER PLAIN M10 ISO7089 10 PCS SET	
17	909 6513 000	1	BUSH FLANGED	
18	9097177000	1	Børstehoved, komplet	
19	32400530	1	SCREW M8X16 BUTTON HD HEX SS ISO7380	
20	909 6887 000	1	Stødhjul	
21	145 0452 000	1	Skruer	

Part Notes:

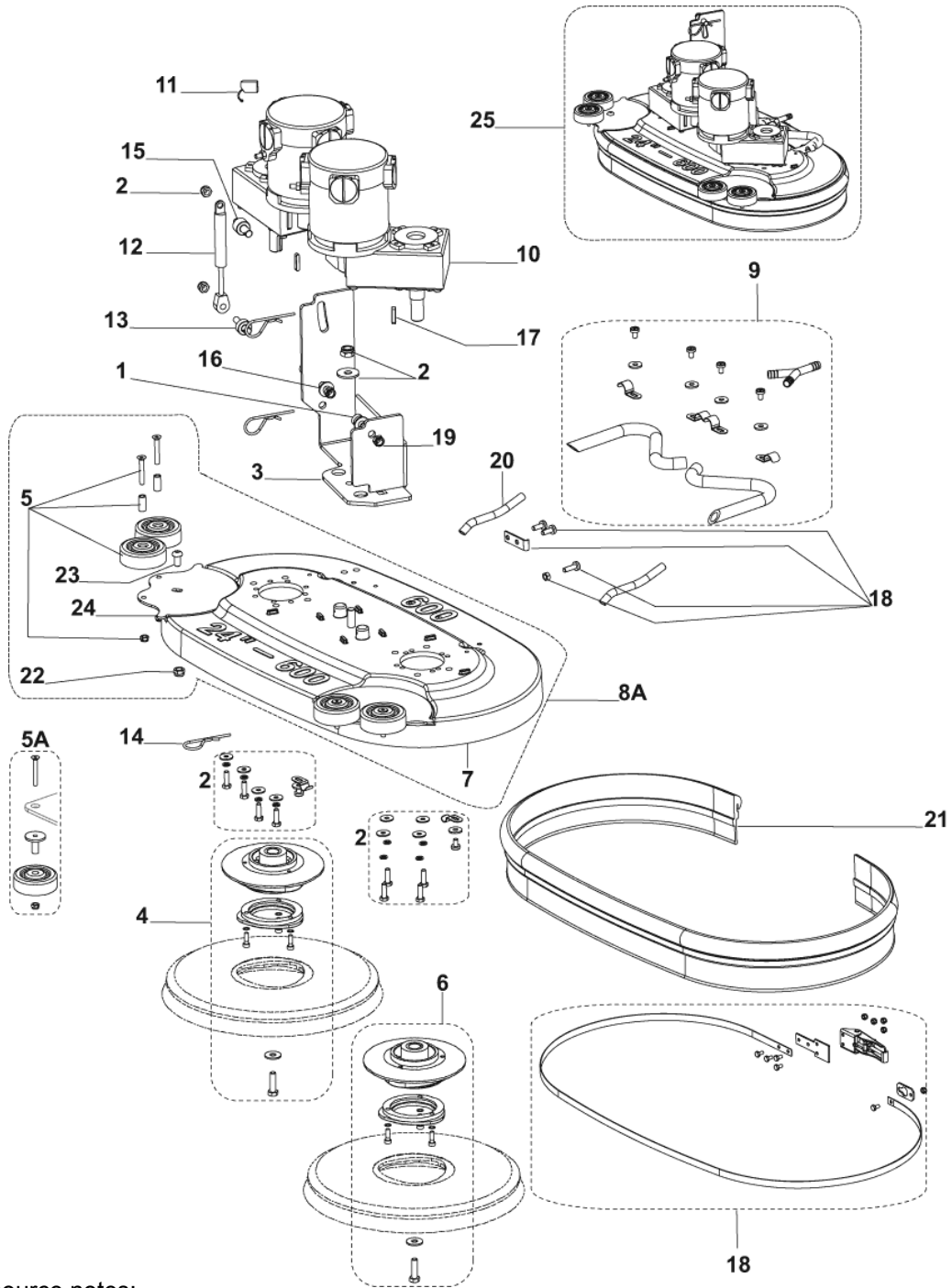
- [1] - SEE TSB-FC-2015-035
- NOT SHOWN - OPTIONAL - INST.INSTR. 9097600000 FOR 909 6546 000 - SEE TSB IT 2008-014
- see TSB FC 2015-035 (COMING SOON)
- [2] - STARTING FROM SN 093819232
- [3] - NOT SHOWN - ALREADY INCLUDED IN REDUCTION GEARMOTOR
- [4] - FOR REDUCTION GEARMOTOR 909 6546 000 (LEROY SOMER)
STOCK COVERS GUARANTEE
- [5] - FOR REDUCTION GEARMOTOR 9098308000 (AMER)



Pos.	Vare-nr	Antal	Beskrivelse	Notes
00	909 6620 000	1	HARNESSE CYL. BRUSH DECK	[1]
1	909 6854 000	1	Børstehoved, komplet	
2	9096997000	2	Gearmotor	
3	1464432000	2	Brush Carbon Kit 4Pcs	[2]
4	909 5805 000	1	Skidtkasse 651Bcl Scrubtec 651Bcl Cyl.	
5	909 5818 000	1	Skjold, Venstre	
6	909 5817 000	1	Skjold, Højre	
7	9100002017	2	KNOB M8 SIP	
8	909 5820 000	2	Belt Poly-V	
9	909 6518 000	1	FRAME CYLINDRICAL DECK	
10	145 4366 000	1	HOLDER RUBBER T D.12	
11	909 5772 000	1	HOSE COPPER	
12	909 5870 000	1	HOSE PVC W/SPIRAL D.10X16 L.190MM	
13	33023593	1	CLAMP HOSE 8-16/9 DIN3017 2 PCS SET	
14	909 5516 000	2	CLAMP HOSE D.18	
15	9098489000	1	Guards Splash Kit	
16	9098490000	1	HARDWARE BELT TENSIONER ROLLER KIT	
17	9098491000	1	Hardware Cyl.Deck Kit	
18	9098488000	1	Afviserrulle-Sæt	
19	9098485000	2	Belt Tensioner Kit	
20	9098486000	2	Monteringsplade	
21	9098487000	2	Support Pulley Cyl.Brush	

Part Notes:

- [1] - NOT SHOWN
 [2] - 1 kit (incl.4 brushes) needed for each motor

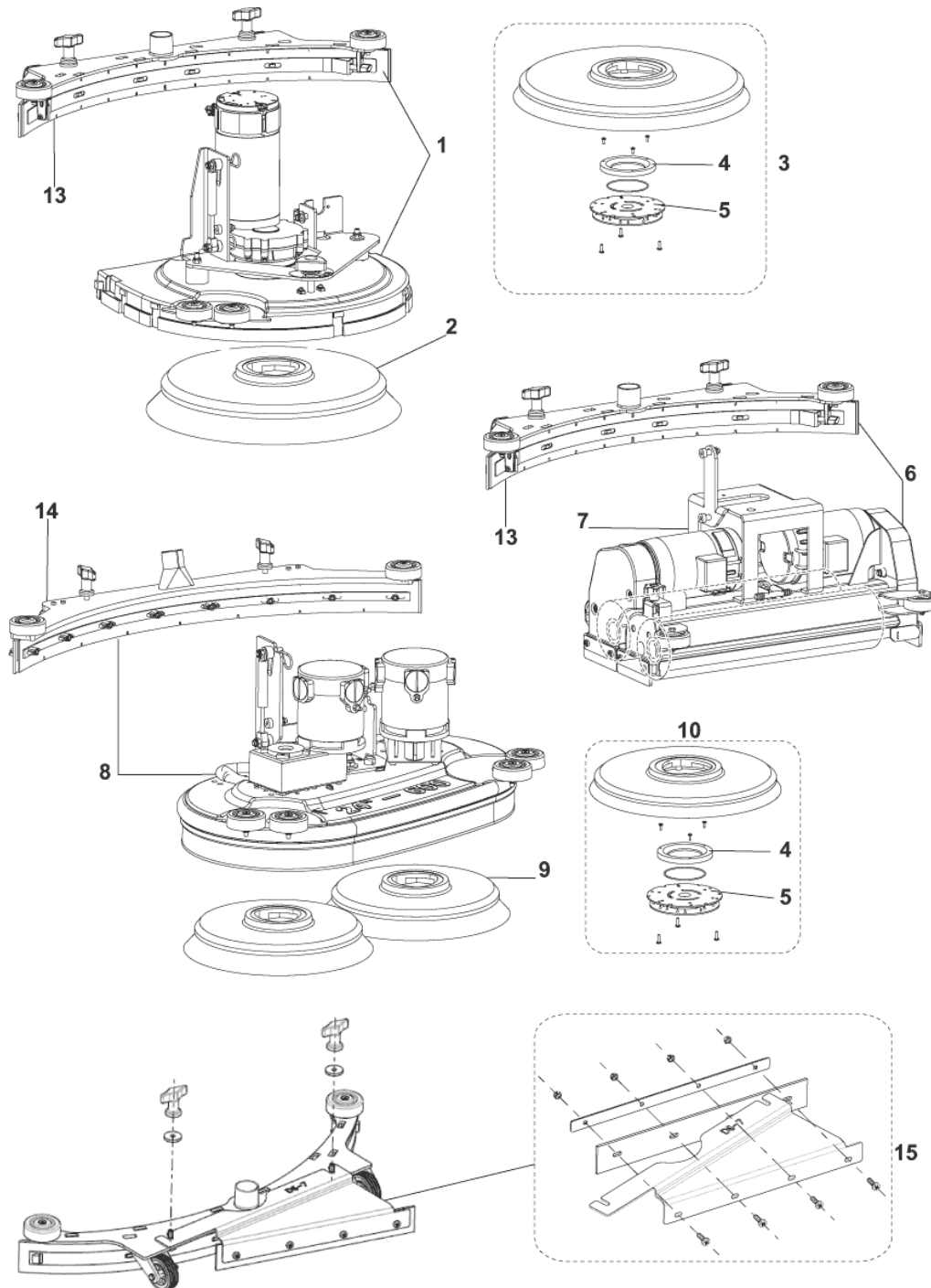


Resource notes:

Pos.	Vare-nr	Antal	Beskrivelse	Notes
00	909 6619 000	1	HARNESS BRUSH DECK	[1]
00	9100001521	1	DECALS SCRUB. 651/653/661 B/BL/BCL KIT	[1]
1	9100001160	3	SCREW SHOUL 10X16 M8 ISO7379 10 PCS SET	
2	9098496000	1	HARDWARE BRUSH DECK KIT	
3	909 6512 000	1	Bracket Brush Deck	
4	L08812589	1	Holder Polyg.W/Flange Kit	[2]
5	909 6355 000	4	Roller Bumper Kit	
5A	909 5894 000	2	Roller Bumper Kit BA 650/750/600S	[3]
6	9097092000	1	Holder Polygonal Kit	[4]
7	9097083000	1	DECK BRUSH BLACK 600 MM	
8A	9097690000	1	DECK BRUSH 600MM/24 DOUBLE KIT	[3]
9	909 6891 000	1	Y-Stykke Til Rentvand Kit Deck Kit	
10	9100000678	1	REDUCTION GEAR MOTOR 350W 24V PKD	
11	909 6893 000	2	Carbon Brush Kit -4Pcs-	
12	909 5637 000	1	Gas Fjeder	
13	909 6516 000	1	PIN LOWER	
14	1467692000	2	PIN SPRING COTTER 3X56 GALV. 2 PCS SET	
15	909 6515 000	1	Pin Upper	
16	33023224	3	WASHER PLAIN M10 ISO7089 10 PCS SET	
17	1466146000	2	KEY 5X5X25 UNI6604A PKD	
18	909 5398 000	1	Spændebånd, Stænkskørte BA 650/600S	
19	33023574	1	NUT LOCK HEX M8 ISO10511 PCS 10 SET	
20	909 5228 000	2	HOSE COPPER	[5]
21	909 5224 000	1	Børsteinddækningssæt, 650 mm	
22	145 0452 000	2	Skruer	
23	32400530	2	SCREW M8X16 BUTTON HD HEX SS ISO7380	
24	9097682000	2	BRACKET ROLLER BUMPER	
25	9097179000	1	Børstehoved, komplet	

Part Notes:

- [1] - NOT SHOWN
- [2] - right
- [3] - SEE TSB IT 2008-010
- [4] - left
- [5] - STOCK COVERS GUARANTEE



Resource notes:

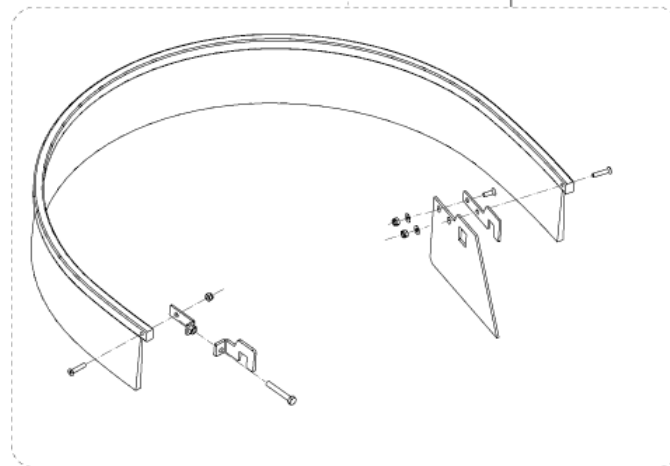
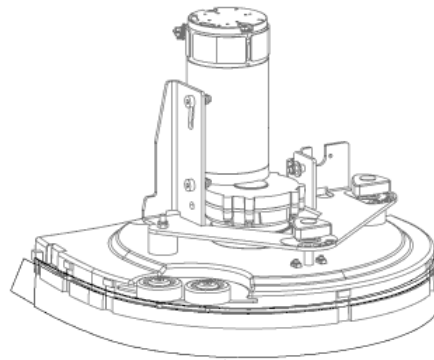
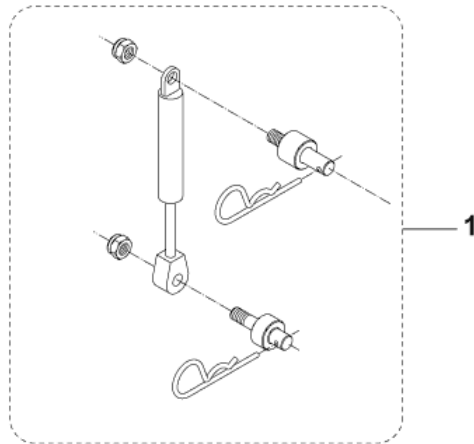
POSITIONS 0: 909 6483 000 - 909 6484 000 included in the kit 909 6860 000
POSITIONS 0: L08603830-
L08603832 included in the kit 9097499000

Pos.	Vare-nr	Antal	Beskrivelse	Notes
00	910000279	1	Sugegummi kit sværtefri 29" 740 mm	[1]
00	909 6859 000	1	Sugegummi kit polyurethan 33" 830 mm	[1]
00	909 6658 000	1	CAP PLASTIC	[2]
1	9097181000	1	DECK BRUSH 530MM/21 KIT W.SQU.	
2	L08837025	1	Børste Prolene 21" Ø530 mm	
2	L08837027	1	Børste naturhår 21" Ø530 mm	
2	L08837066	1	Børste Dyna Grit 80 21" Ø530 mm	
2	L08837029	1	Børste Clean Grit 21" Ø530 mm	
2	L08837065	1	Børste Magna Grit 46 21" Ø530 mm	
2	L08837028	1	Børste Midlite Grit 180 21" Ø530 mm	
2	L08837067	1	Børste Aglite Grit 500 21" Ø530 mm	
2	L08837026	1	Børste Prolite 21" Ø530 mm	
3	L08837018	1	Rondelholder 21" Ø530 mm	
4	L08603966	1	Ring Nylon	
5	56505195	1	Rondellås Lynkobling	
6	909 6849 000	1	DECK BRUSH 510MM/20 CYL KIT	
7	909 5823 000	2	Cylinderbørste polypropylen 510 mm 0,4	
7	909 5825 000	2	Cylinderbørste polypropylen 510 mm 0,6	
7	909 5824 000	2	Cylinderbørste polypropylen 510 mm 0,45	
8	9097183000	1	DECK BRUSH 610MM/24 KIT W.SQU.	
9	L08603875	2	Børste Union Mix 12" Ø305 mm	
9	L08603842	2	Børste Prolene 12" Ø305 mm	
9	L08603872	2	Børste Midlite Grit 240 12" Ø305 mm	
9	L08603873	2	Børste Mid Grit 180 12" Ø305 mm	
9	L08603874	2	Børste Prolite 12" Ø305 mm	
10	9099670000	2	Rondelholder 12" Ø305 mm Velcro	
13	L08603878	1	Squeegee Komp.Ba450/530	
13	909 6851 000	1	Sugefod, komplet	
14	909 5372 000	1	"Sugefod Kit 33"" Komplet "	
15	9098343000	1	Tredje Sugelæbe Kit 451/531 551/611	[3]

Part Notes:

- [1] - NOT SHOWN
- [2] - GUARANTEE DATE EXPIRED
- [3] - INST.INSTR.9098337000

**EXTRA PRESSURE KIT
(SCRUBTEC 653 B)**

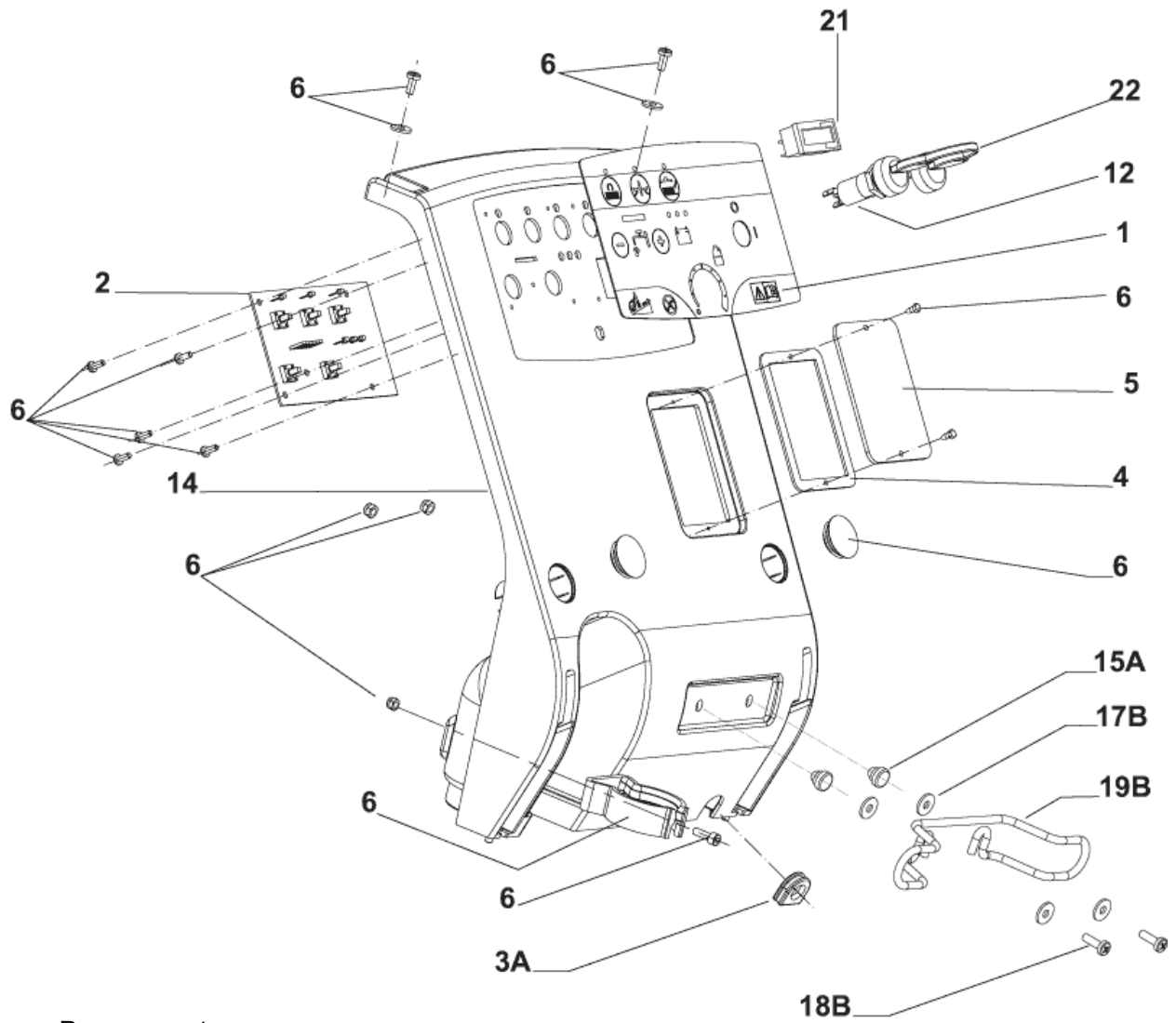


**SPLASH GUARD 20" KIT
(SCRUBTEC 653 B - SCRUBTEC 653 BL)**

Pos.	Vare-nr	Antal	Beskrivelse	Notes
1	9097186000	1	Ekstra børstetryk kit, 20 kg	[1]
2	909 6736 000	1	Stænkskørt kit 21" 530 mm	[2]

Part Notes:

- [1] - SEE INST. INSTR. 909 6759 000
[2] - SEE INST. INSTR. 909 6745 000



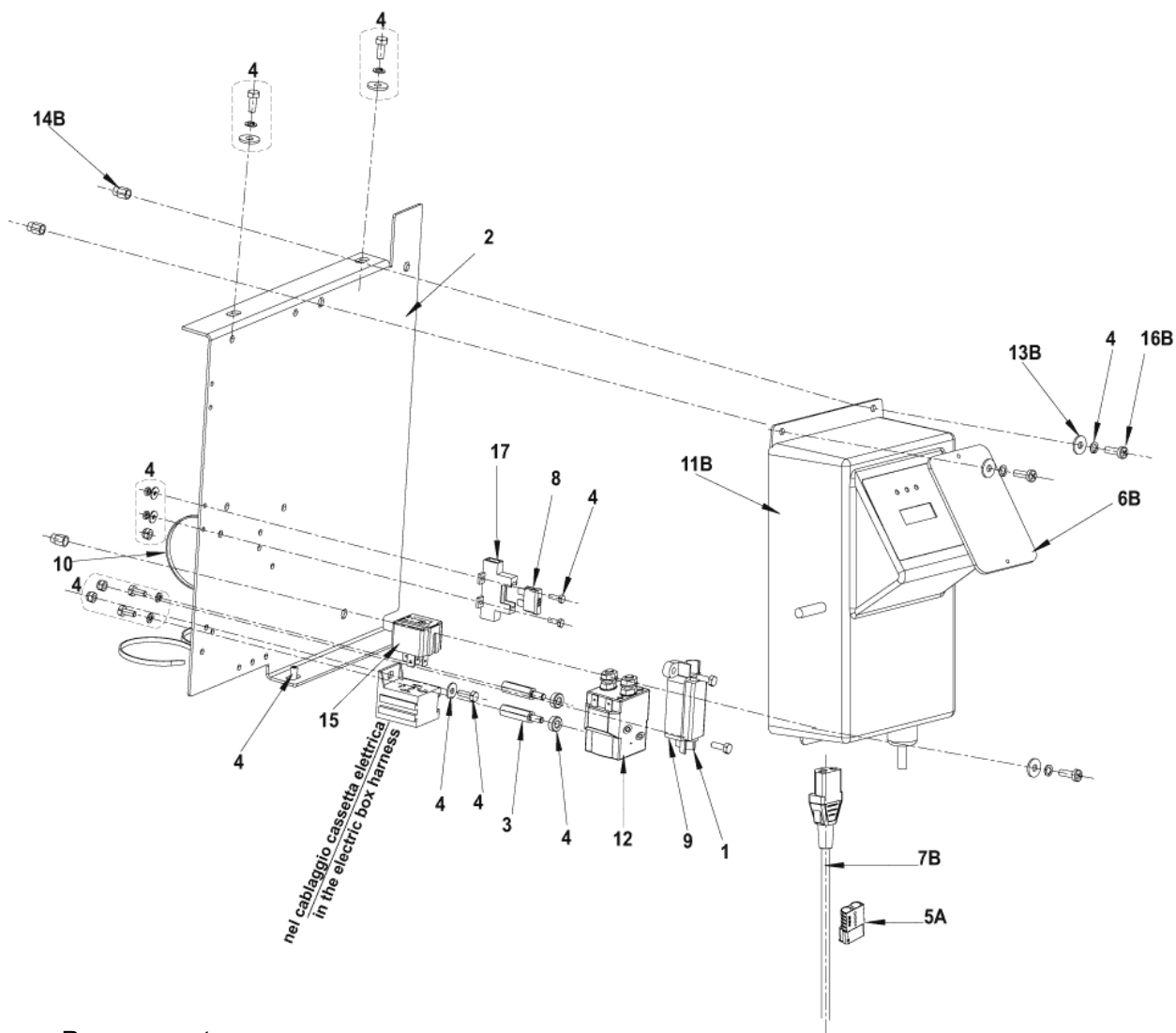
Resource notes:

AONLY VERSION WITHOUT BATTERY CHARGER ON BOARD BONLY VERSION WITH BATTERY CHARGER ON BOARD

Pos.	Vare-nr	Antal	Beskrivelse	Notes
1	9097025000	1	Decal Control Panel	
2	9100000176	1	Print	
3A	909 6542 000	1	GROMMET	
4	909 6545 000	1	GASKET	
5A	9100001065	1	COVER F INSPECTION PLATE BLACK SIP	
6	9100001891	1	HARDWARE CONTROL PANEL KIT	
12	9100001354	1	SWITCH KEY WITH CAP PKD	
14	9098123000	1	Cover El.Comp.Blue Kit	
15A	909 6553 000	2	FEET RUBBER	
17B	1467686000	1	WASHER PLAIN M5X15 ISO7093 10 PCS SET	
18B	146 2090 000	2	SCREW M5X16 PAN HD PHIL ISO7045	
19B	1466317000	1	SUPPORT CABLE KIT	
21	9096951000	1	Timetæller kit, 24 V	[1]
22	146 2887 000	1	Nøgle (2 Pcs) Ba510Sd	
23	9100000878	2	FUSE BLADE 3A SIP	[2]
24	909 6678 000	1	FUSE 20A GLASS DELAYED	[2]

Part Notes:

- [1] - OPTION - SEE INST. INSTR. 9096952000
 [2] - NOT SHOWN



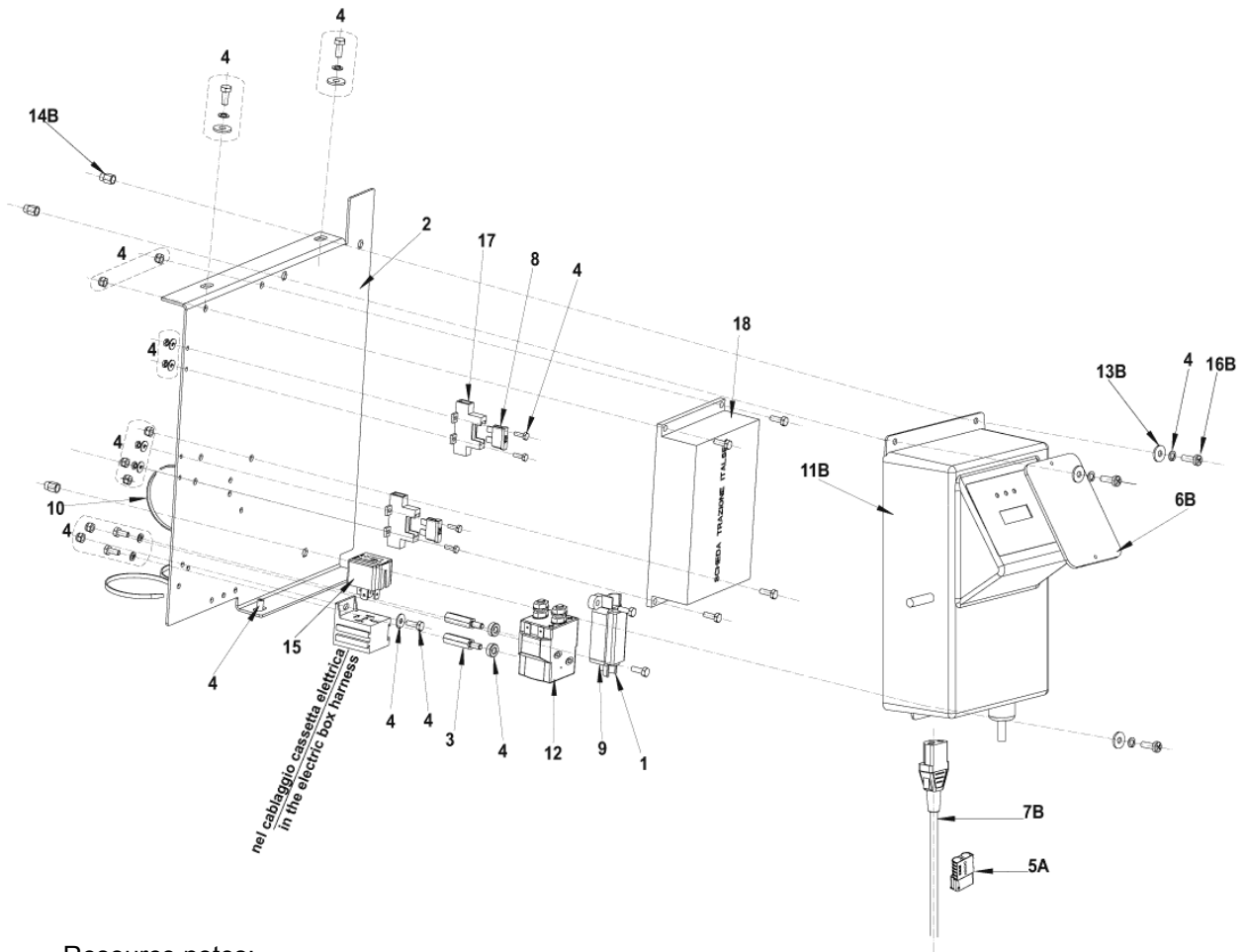
Resource notes:

ONLY VERSION WITHOUT BATTERY CHARGER ON BOARD ONLY VERSION WITH BATTERY CHARGER ON BOARD

Pos.	Vare-nr	Antal	Beskrivelse	Notes
00	9097036000	1	HARNESS HANDLE BAR	
00	9097590000	1	Batteri Kabel	
00	9097034000	1	Harness Electric Box	
00	909 6613 000	1	HARNESS VACUUM MOTOR	
00	9097038000	1	HARNESS MACHINE	
00	80564400	2	Batteri 12V 105A GEL monoblok	
00	9100001950	1	HARNESS BATTERY KIT	
1	145 8046 000	1	Säkeringshållare	
2	909 6498 000	1	SUPPORT ELECTRIC COMP.	[1]
3	909 6676 000	2	SPACER M4 L25	[1]
4	9098303000	1	HARDWARE ELECTRIC SYSTEM KIT	
5A	9100002117	2	CONNECTOR RED 120A PKD	
6B	9100001064	1	COVER F INSPECTION PLATE TRANSP. SIP	
7B	1466318000	1	CABLE EXTENSION UK PLUG L.2000MM SIP	
7B	9100000790	1	CABLE EXTENSION EU PLUG L.1000MM PKD	
8	145 8513 000	1	Sikring 30A	
9	145 3824 000	1	Sikring 40A,Bladsikring	
10	145 1449 000	3	TIE CABLE 3.6x140 BLACK	
11B	9098297000	1	Lader (Indbygget) 24V 13A	
12	9097209000	1	Switch Electromagnetic 24V	
13B	33023195	3	WASHER PLAIN M5 ISO7089 10 PCS SET	
14B	145 6132 000	3	INSERT M5	
15	909 6622 000	1	Relæ 24V 40A	
16B	1466964000	1	SCREW M5X20 PAN HD ISO7045 10 PCS SET	
17	1467035000	2	HOLDER FUSE THERMOPL.UL 94-V0 SIP	

Part Notes:

[1] - COMPLEXITY REDUCTION



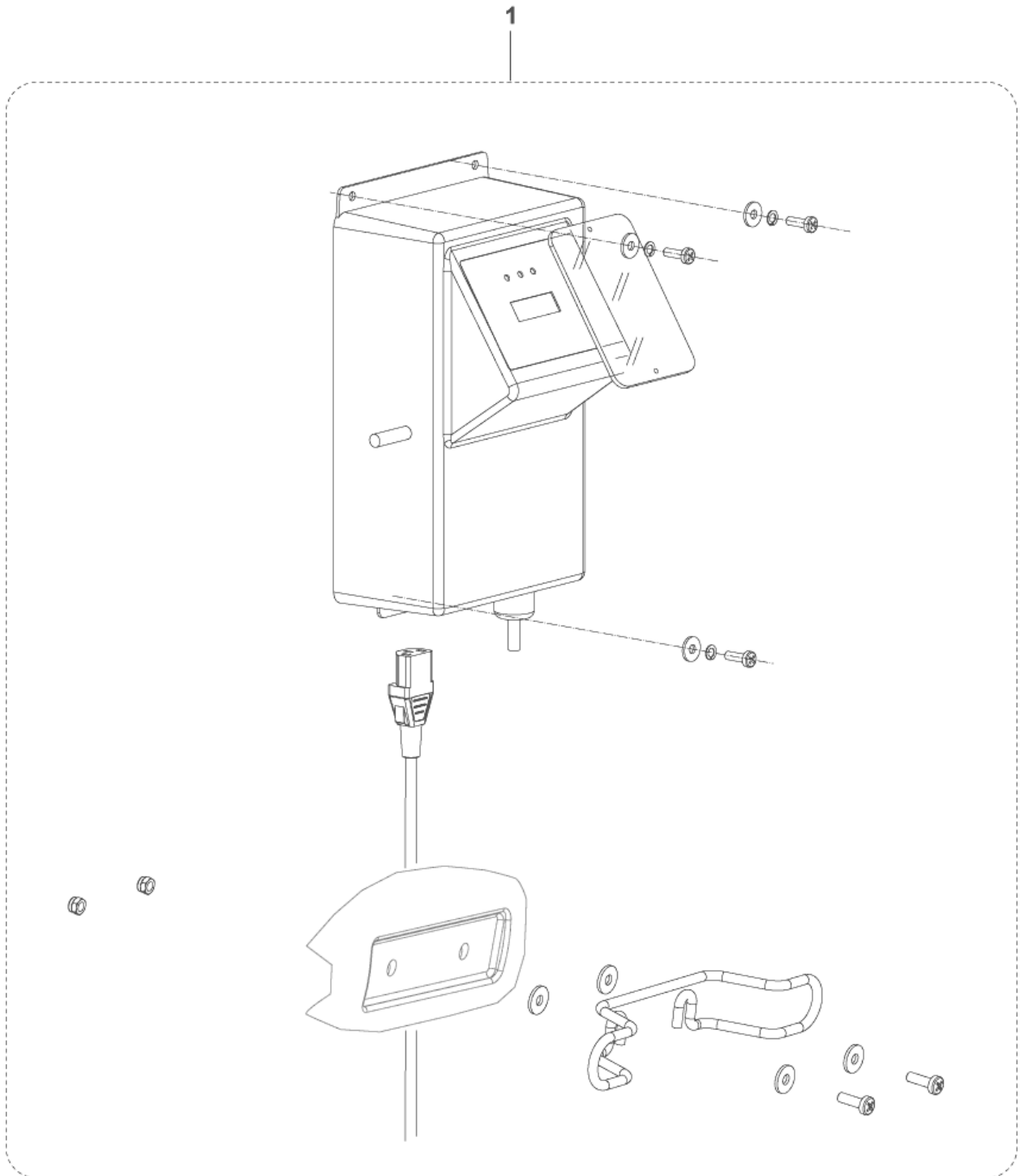
Resource notes:

AOONLY VERSION WITHOUT BATTERY CHARGER ON BOARD ONLY VERSION WITH BATTERY CHARGER ON BOARD

Pos.	Vare-nr	Antal	Beskrivelse	Notes
00	9097590000	1	Batteri Kabel	
00	9096964000	1	HARNESS ELECTRIC BOX	
00	909 6613 000	1	HARNESS VACUUM MOTOR	
00	9096962000	1	HARNESS TRACTION MACHINE	
00	9100001950	1	HARNESS BATTERY KIT	
00	9097035000	1	HARNESS HANDLE BAR	
1	145 8046 000	1	Säkeringshållare	
2	909 6498 000	1	SUPPORT ELECTRIC COMP.	[1]
3	909 6676 000	2	SPACER M4 L25	[1]
4	9098303000	1	HARDWARE ELECTRIC SYSTEM KIT	[2]
5A	9100002117	2	CONNECTOR RED 120A PKD	
6B	9100001064	1	COVER F INSPECTION PLATE TRANSP. SIP	
7B	9100000790	1	CABLE EXTENSION EU PLUG L.1000MM PKD	
7B	1466318000	1	CABLE EXTENSION UK PLUG L.2000MM SIP	
8	145 8513 000	1	Sikring 30A	
9	145 3824 000	1	Sikring 40A,Bladsikring	
10	145 1449 000	3	TIE CABLE 3.6x140 BLACK	
11B	9098297000	1	Lader (Indbygget) 24V 13A	
12	9097209000	1	Switch Electromagnetic 24V	
13B	33023195	3	WASHER PLAIN M5 ISO7089 10 PCS SET	
14B	145 6132 000	3	INSERT M5	
15	909 6622 000	1	Relæ 24V 40A	
16B	1466964000	1	SCREW M5X20 PAN HD ISO7045 10 PCS SET	
17	1467035000	2	HOLDER FUSE THERMOPL.UL 94-V0 SIP	
18	9100000173	1	CARD ELECTRONIC TRACTION KIT	

Part Notes:

- [1] - COMPLEXITY REDUCTION
 [2] - contains all Hardware shown in this system



Accessory: Battery charger

SCRUBTEC 661 BL ALT

2015.05.19

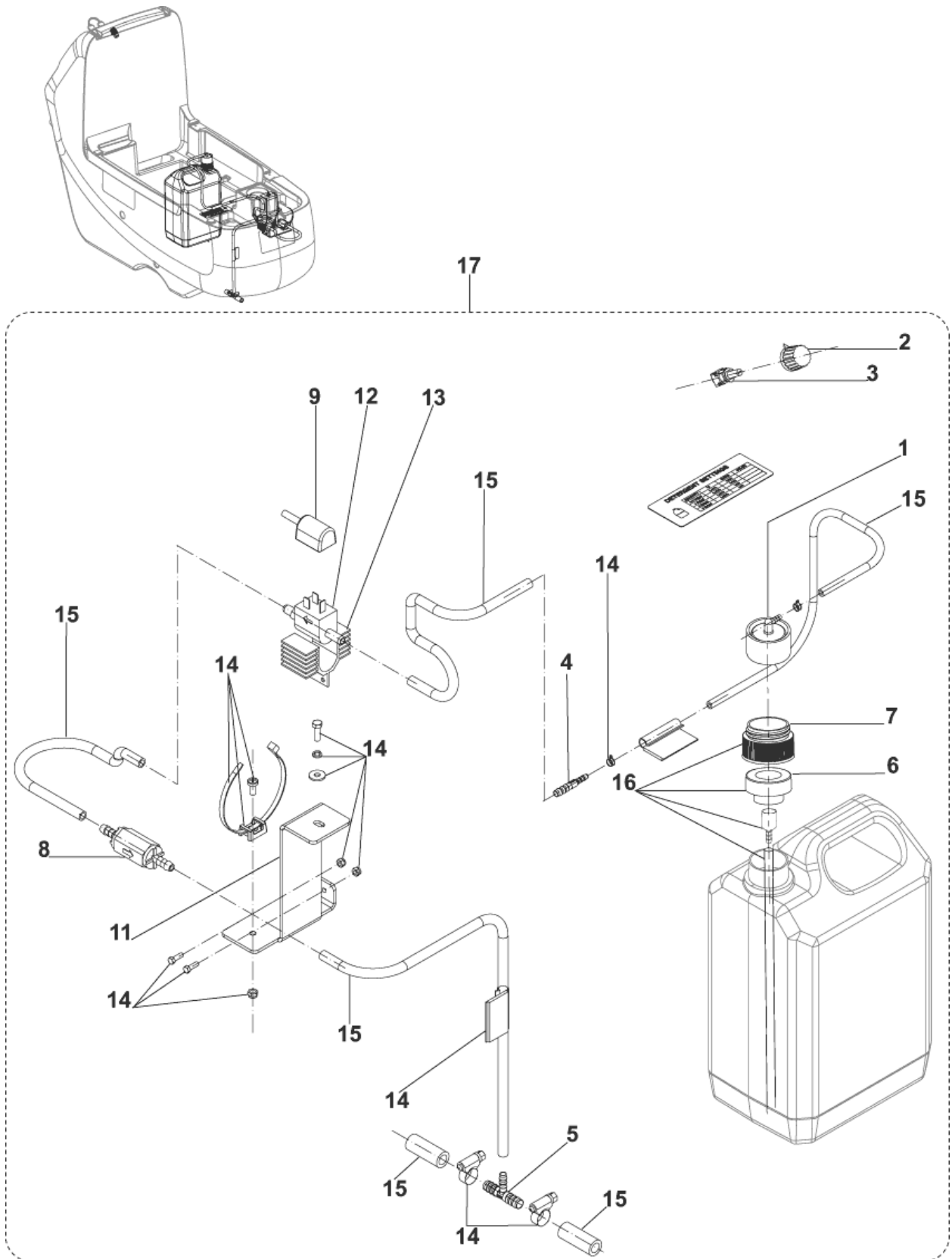
2016.10.27

Pos.	Vare-nr	Antal	Beskrivelse	Notes
1	909 6739 000	1	Indbygget oplader kit	[1]

Part Notes:

[1] - use ES15909 8297 000

SEE INST. INSTR. 909 6746 000



Pos.	Vare-nr	Antal	Beskrivelse	Notes
00	9097041000	1	HARNESS CHEMICAL PUMP	
1	56315523	1	Låg Ecoflex Beholder Lille	
2	145 4719 000	1	Knop For Potentiometer	
3	909 6076 000	1	Potentiometer	
4	909 6090 000	1	HOLDER RUBBER STRAIGHT	
5	909 6092 000	1	HOLDER RUBBER T	
6	9097022000	1	Niveauføler	
7	9097023000	1	Adapter For Reng. Tank	
8	9097030000	1	VALVE ONE-WAY 1/4	
9	9097041000	1	HARNESS CHEMICAL PUMP	
11	9097084000	1	BRACKET PUMP SUPPORT	
12	53721A	1	Kemipumpe	
13	61772A	1	BRACKET CHEMICAL PUMP	
14	9098495000	1	HARDWARE CHEMICAL MIXING SYSTEM KIT	
15	9097175000	1	HOSES CHEMICAL MIX KIT	
16	9098025000	1	Detergent adapter kit	
17	9097160000	1	Sæbe-mix-system	[1]

Part Notes:

[1] - SEE INST. INSTR. 9097159000

Resource notes:

POSITION 35-36: 909 6484 000 - 909 6483 000 included in the KIT 909 6860 000 POSITION 44-45: L08603830 - L08603832 included in the KIT 9097499000

Pos.	Vare-nr	Antal	Beskrivelse	Notes
1	9098265000	1	Mont.Sæt F. Rentvandstank	[1]
2	909 6874 000	1	Cable Tank Kit	[1]
3	909 6521 000	1	Slange For Rent Vand	[1]
4	33023302	2	CAP BLACK SIP	[1]
5	9099853000	1	HOSE SQUEEGEE VACUUM BLACK KIT	[1]
6	9100001892	1	HOSE DRAIN L.1480MM 90 BLACK PKD	[1]
7	9100000818	2	CAGE FLOAT HALF 2 PCS SET	[1]
8	9100000817	1	BALL FLOATING PKD	[1]
9	9100001875	1	SUPPORT FLOAT KIT	[1]
10	9100001348	3	CLAMP 14/32-52 10 PCS SET	[1]
11	9099401000	1	Motor Vacuum Kit	[1]
12	909 5371 000	1	Kul, Sugemotor 410/343	[1]
13	909 6491 000	1	Panel Acoustic Insulation	[1]
14	9096918000	1	Gasket. Vacuum Motor	[1]
15	909 6672 000	1	Filter	[1]
16	909 6876 000	1	Hardware Cage Sup.Fix.Kit	[2]
17	909 6877 000	1	Hardware Motor Fixing Kit	[1]
18	909 6880 000	1	Castorhjul Kit	[3]
19	909 6880 000	1	Castorhjul Kit	[4]
20	909 6878 000	1	Hardware Chas. Fixing Kit	[1]
21	909 6548 000	1	Køremotor 200W 24V Ba450/551/611	[3]
22	145 5124 000	2	Kul F. Aw 455 Børstemotor	[3]
23	9099691000	1	WHEELS KIT	[3]
24	9097085000	2	WHEEL FRONT D.250 BLUE	[4]
25	9097043000	1	Potentiometer Scrubtex 661Bd	[3]
26	9098330000	1	HARDWARE HANDLE SYSTEM KIT	[1]
27	9097154000	1	Filter Complete Kit	[1]
28	9097171000	1	HOSES SOLENOID VALVE KIT	[1]
29	909 6555 000	1	Solenoid Valve 24V	[1]
30	9098777000	1	Vinkel	[1]
31	909 6055 000	1	Holder For Sugegummi	[5]
32	909 6044 000	1	"Sugefod 30"" Kun Metaldel "	[5]
33	9097637000	1	Monteringskrue (2 Stk)	[1]
34	9100000791	1	KNOB M8X30 THD STUD SS PKD	[5]
37	909 6851 000	1	Sugefod, komplet	[5]
38	909 6882 000	1	Skinnekit	[5]
39	909 6883 000	1	Hjul For Squeegerkit	[5]
40	909 6884 000	1	Påkørselshjul, Kit	[5]
41	909 6885 000	1	Squeeger Justeringskit Ba451-551	[5]
42	909 6394 000	1	Latch Squeegee Kit	[5]
43	909 5372 000	1	"Sugefod Kit 33"" Komplet "	[6]
46	9100000962	1	SQUEEGEE SS 840MM/33 SIP	[6]
47	9097078000	1	DECK BRUSH BLACK 530 MM	[7]
48	9098376000	1	CARBON BRUSHES KIT 4 PCS	[7]
49	9098308000	1	Gearmotor 450W 24V	[7]
50	909 6355 000	2	Roller Bumper Kit	[7]
51	9100000868	1	VIBRATION DAMPING M8 60SH 2 PCS SET	[7]
52	9099419000	1	Justeringssæt F. Børste	[7]
53	909 5637 000	1	Gas Fjeder	[8]
54	9097025000	1	Decal Control Panel	[1]
55	9100001354	1	SWITCH KEY WITH CAP PKD	[1]
56	9100000176	1	Print	[1]
57	9100000878	1	FUSE BLADE 3A SIP	[1]
58	909 6678 000	1	FUSE 20A GLASS DELAYED	[1]
59	9100000173	1	CARD ELECTRONIC TRACTION KIT	[3]
60	9100002117	1	CONNECTOR RED 120A PKD	[1]
61	9097209000	1	Switch Electromagnetic 24V	[1]
62	909 6622 000	1	Relæ 24V 40A	[1]
63	145 3824 000	1	Sikring 40A,Bladsikring	[1]

Pos.	Vare-nr	Antal	Beskrivelse	Notes
64	145 8513 000	1	Sikring 30A	[1]
65	9098297000	1	Lader (Indbygget) 24V 13A	[9]

Part Notes:

- [1] - SCRUBTEC 653B-653BL-651BCL-661BL
- [2] - SCRUBTEC 653B-653BL-651BCL-661BL

due to ODM/ECN 2810 should have been considered valid for all

Machine configurations which were using it ONLY Before Serial Number 081813772 (Beginning of May 2008).
GUARANTEE DATE EXPIRED

- [3] - SCRUBTEC 653BL-651BCL-661BL
- [4] - SCRUBTEC 653B
- [5] - SCRUBTEC 653B-653BL-651BCL
- [6] - SCRUBTEC 661BL
- [7] - SCRUBTEC 653B-653BL
- [8] - SCRUBTEC 653BL
- [9] - ALL SCRUBTEC W/BATTERY CHARGER ON BOARD

Pos.	Vare-nr	Antal	Beskrivelse	Notes
1	909 5065 000	1	Anti-skumfilter	[1]
2	9098947000	1	Bløde drejehjul	[1]
3	9100001353	1	FILTER SOLUTION TANK PKD	[1]
4	9097160000	1	Sæbe-mix-system	[1]
5	9097175000	1	HOSES CHEMICAL MIX KIT	[1]
6	9097181000	1	DECK BRUSH 530MM/21 KIT W.SQU.	[2]
7	L08837025	1	Børste Prolene 21" Ø530 mm	[3]
8	L08837026	1	Børste Prolite 21" Ø530 mm	[3]
9	L08837027	1	Børste naturhår 21" Ø530 mm	[3]
10	L08837028	1	Børste Midlite Grit 180 21" Ø530 mm	[3]
11	L08837029	1	Børste Clean Grit 21" Ø530 mm	[3]
12	L08837065	1	Børste Magna Grit 46 21" Ø530 mm	[3]
13	L08837066	1	Børste Dyna Grit 80 21" Ø530 mm	[3]
14	L08837067	1	Børste Aglite Grit 500 21" Ø530 mm	[3]
15	L08837018	1	Rondelholder 21" Ø530 mm	[3]
16	909 6849 000	1	DECK BRUSH 510MM/20 CYL KIT	[4]
17	909 5823 000	2	Cylinderbørste polypropylen 510 mm 0,4	[4]
18	909 5824 000	2	Cylinderbørste polypropylen 510 mm 0,45	[4]
19	909 5825 000	2	Cylinderbørste polypropylen 510 mm 0,6	[4]
20	9097183000	1	DECK BRUSH 610MM/24 KIT W.SQU.	[5]
21	L08603842	2	Børste Prolene 12" Ø305 mm	[5]
22	L08603873	2	Børste Mid Grit 180 12" Ø305 mm	[5]
23	L08603872	2	Børste Midlite Grit 240 12" Ø305 mm	[5]
24	L08603874	2	Børste Prolite 12" Ø305 mm	[5]
25	L08603875	2	Børste Union Mix 12" Ø305 mm	[5]
26	9099670000	2	Rondelholder 12" Ø305 mm Velcro	[5]
27	L08603878	1	Squeegee Komp.Ba450/530	[6]
28	909 6851 000	1	Sugefod, komplet	[6]
29	9100000279	1	Sugegummi kit sværtefri 29" 740 mm	[6]
30	909 6858 000	1	Sugegummi kit polyurethan 29" 740 mm	[6]
31	9098343000	1	Tredje Sugelæbe Kit 451/531 551/611	[1]
32	909 6736 000	1	Stænskørt kit 21" 530 mm	[3]
33	9097186000	1	Ekstra børstetryk kit, 20 kg	[7]
34	9096951000	1	Timetæller kit, 24 V	[1]
35	9097026000	2	Trækjul, olieresistente, Ø300 mm	[8]
36	9097599000	1	Beskyttelsessæt	[9]
37	9098854000	1	Elbow 90. Suct. Hose Kit Black	[10]

Part Notes:

- [1] - SCRUBTEC 653B-653BL-651BCL-661BL
- [2] - SCRUBTEC 653BL
- [3] - SCRUBTEC 653B-653BL
- [4] - SCRUBTEC 651BCL
- [5] - SCRUBTEC 661BL
- [6] - SCRUBTEC 653B-653BL-651BCL
- [7] - SCRUBTEC 653B
- [8] - SCRUBTEC 653BL-651BCL-661BL
- [9] - SCRUBTEC 653B-653BL
SEE TSB-FC-2015-035
- [10] - TSB IT 2010-061

