

# PARTS LIST

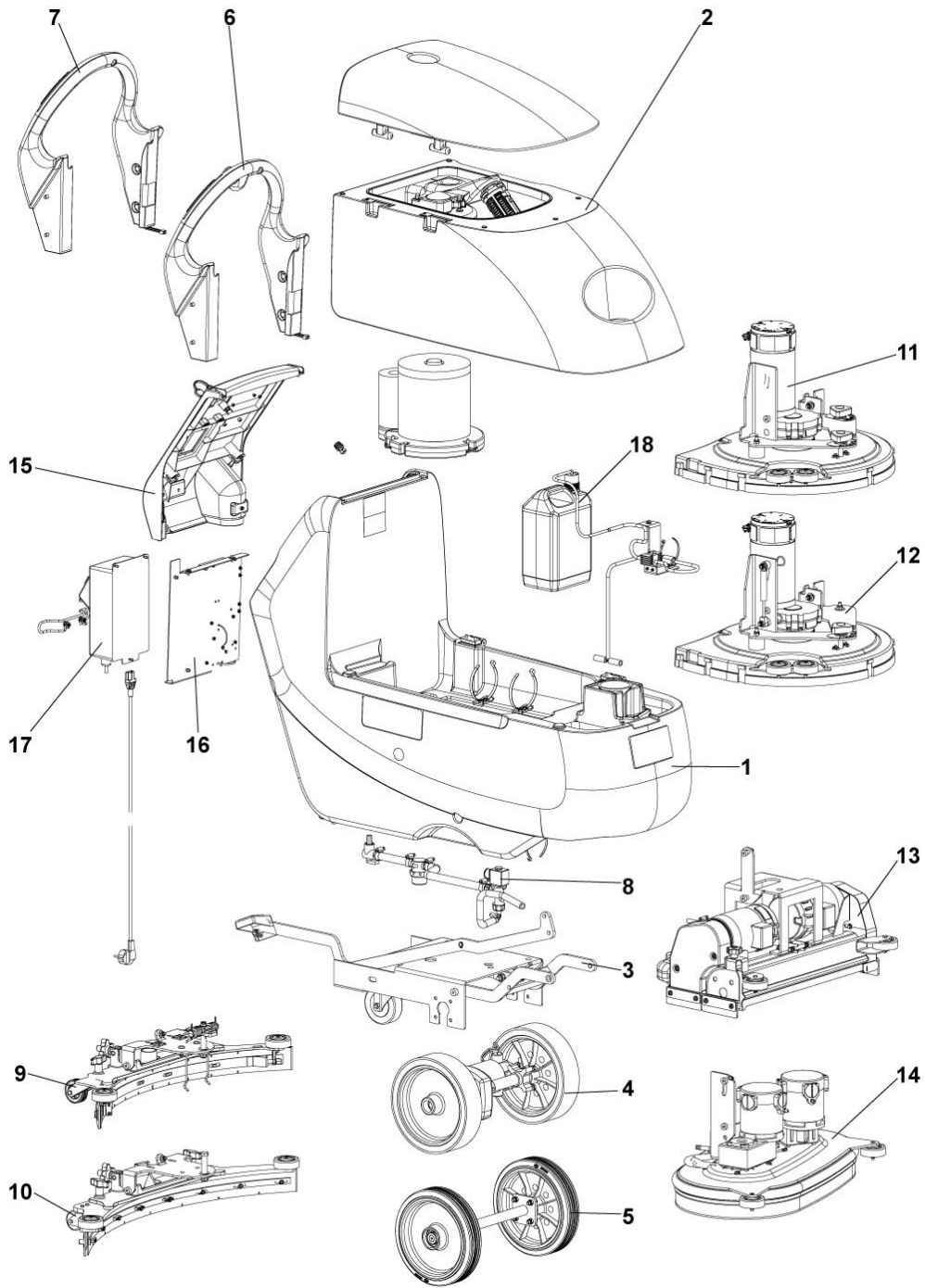


2017.08.01

# TABLE OF CONTENTS

---

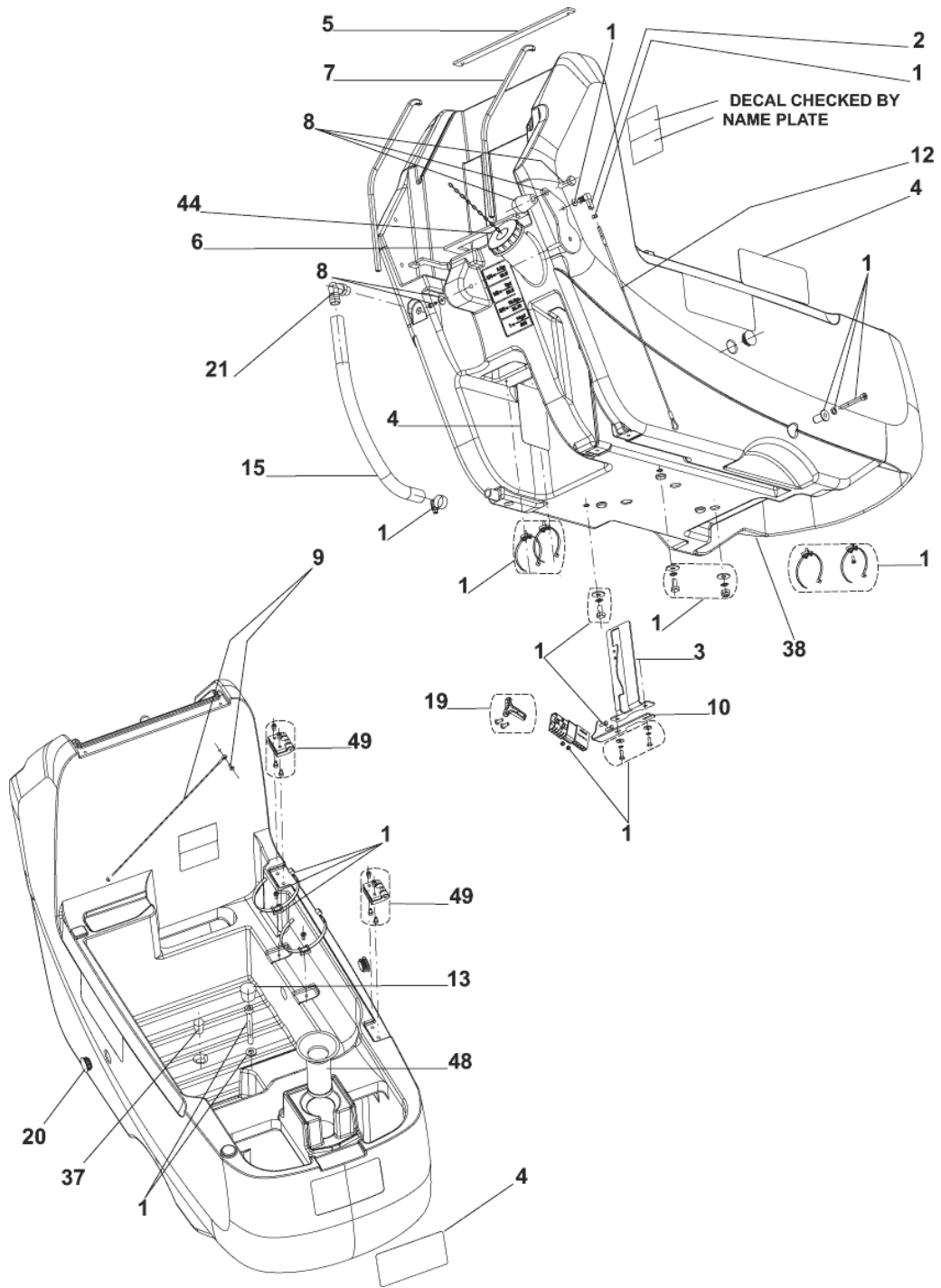
General view .....	1
Solution tank .....	3
Recovery tank .....	5
Chassis system .....	7
Wheels with - without traction .....	9
Handle assembly with - without traction .....	11
Solution system .....	13
Squeegee system 653B-653BL-651BCL .....	15
Squeegee system 661BL .....	17
Brush system 653B .....	19
Brush system 653BL .....	21
Brush system 651BCL .....	23
Brush system 661BL after SN. 082116498 .....	25
Accessories .....	27
Accessories Extra pressure - Splash guard kits .....	29
Control panel system .....	31
Electrical components 653B .....	33
Electrical components 653BL-651BCL-661BL .....	35
Accessory: Battery charger .....	37
Accessories chemical mixing system 653BL-653BL-651BCL-661BL .....	39
Recommended spare parts .....	41
Accessories list .....	44



Pos.	Vare-nr	Antal	Beskrivelse	Notes
1		1	Solution tank - use link	[1]
2		1	Recovery tank - use link	[2]
3		1	Chassis system - use link	[3]
4		1	Wheels and traction 653BL, 651BCL, 661BL - use link	[4]
5		1	Wheels system 653B	[5]
6		1	Handle assembly 653BL, 651BCL, 661BL - use link	[6]
7		1	Handle assembly 652B - use link	[7]
8		1	Solution system - use link	[8]
9		1	Squeegee system 653B, 653BL, 651BCL - use link	[9]
10		1	Squeegee system 661BL - use link	[10]
11		1	Brush system 653B - use link	[11]
12		1	Brush system 653BL - use link	[12]
13		1	Cyl. Brush system 651BCL - use link	[13]
14		1	Brush sytem 661BL - use links	[14]
15		1	Control panel system - use link	[15]
16		1	Electrical components - use links	[16]
17		1	Battery charger - use link	[17]
18		1	Chemical mixing system - use link	[18]

Part Notes:

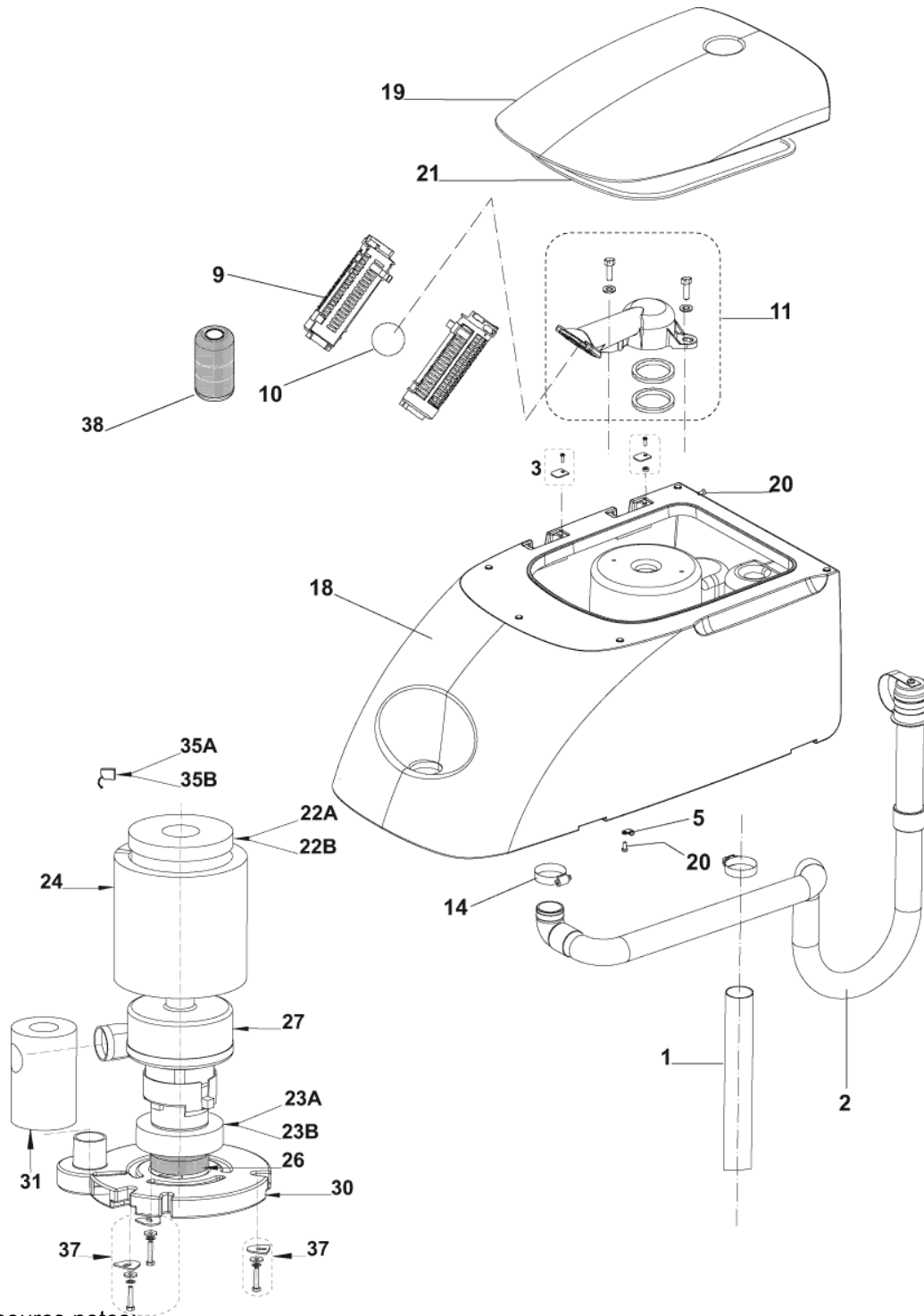
- [1] - SOLUTION TANKSolution tank
- [2] - RECOVERY TANKRecovery tank
- [3] - CHASSIS SYSTEMChassis system
- [4] - WHEELS AND TRACTION 653BL-651BCL-661BLWheels with - without traction
- [5] - WHEELS SYSTEM 653BWheels with - without traction
- [6] - HANDLE ASSEMBLY 653BL-651BCL-661BL  
Handle assembly with - without traction
- [7] - HANDLE ASSEMBLY 652BHandle assembly with - without traction
- [8] - SOLUTION SYSTEMSolution system
- [9] - SQUEEGEE SYSTEM 653B-653BL-651BCL  
Squeegee system 653B-653BL-651BCL
- [10] - SQUEEGEE SYSTEM 661BLSqueegee system 661BL
- [11] - BRUSH SYSTEM 653BBrush system 653B
- [12] - BRUSH SYSTEM 653BLBrush system 653BL
- [13] - CYL. BRUSH SYSTEM 651BCLBrush system 651BCL
- [14] - BRUSH SYSTEM 661BL  
Brush system 661BL after SN. 082116498  
Squeegee system 661BL
- [15] - CONTROL PANEL SYSTEMControl panel system
- [16] - ELECTRICAL COMPONENTS  
Electrical components 653BAnd Electrical components 653BL-651BCL-661BL
- [17] - BATTERY CHARGERAccessory: Battery charger
- [18] - CHEMICAL MIXING SYSTEMAccessories chemical mixing system 653BL-653BL-651BCL-661BL



Pos.	Vare-nr	Antal	Beskrivelse	Notes
00	9098033000	1	GASKET HANDLE BAR	[1]
1	9098265000	1	Mont.Sæt F. Rentvandstank	
2	145 8479 000	1	Vinkel, M6	
3	909 6493 000	1	SUPPORT PEDAL	
4	9100001521	1	DECALS SCRUB. 651/653/661 B/BL/BCL KIT	[2]
4	9100001571	1	DECALS SCRUBTEC 661 BL COMBI ALTO KIT	[3]
5	909 6596 000	1	Gasket	
6	909 6597 000	1	Gasket	
7	909 6892 000	2	Gasket L 960	
8	9097630000	1	Plade For Løft Af Sugefod	
9	909 6874 000	1	Cable Tank Kit	
10	909 6649 000	1	BRACKET CONNECTOR SUPPORT	
12	9098675000	1	Wire Til Sugefod	
13	909 6673 000	1	CAP BLACK BP6	
15	909 6521 000	1	Slange For Rent Vand	
19	9100000885	1	HANDLE F BATTERY CONNECTOR SIP	
20	33023302	2	CAP BLACK SIP	
21	9100000771	1	FITTING 90. M 3/8-18 NPT HOSE D.19 PKD	
37	909 6236 000	1	Gummigennemføring, Sort	
38	9097012000	1	Tank Solution 55 Lt Blue	
44	909 6554 000	1	Cap With Chain	
48	9097192000	1	Filter	
49	9098329000	1	Hinges Kit	

Part Notes:

- [1] - NOT SHOWN
- [2] - BRAND Nilfisk-ALTO
- [3] - BRAND ALTO



Resource notes:

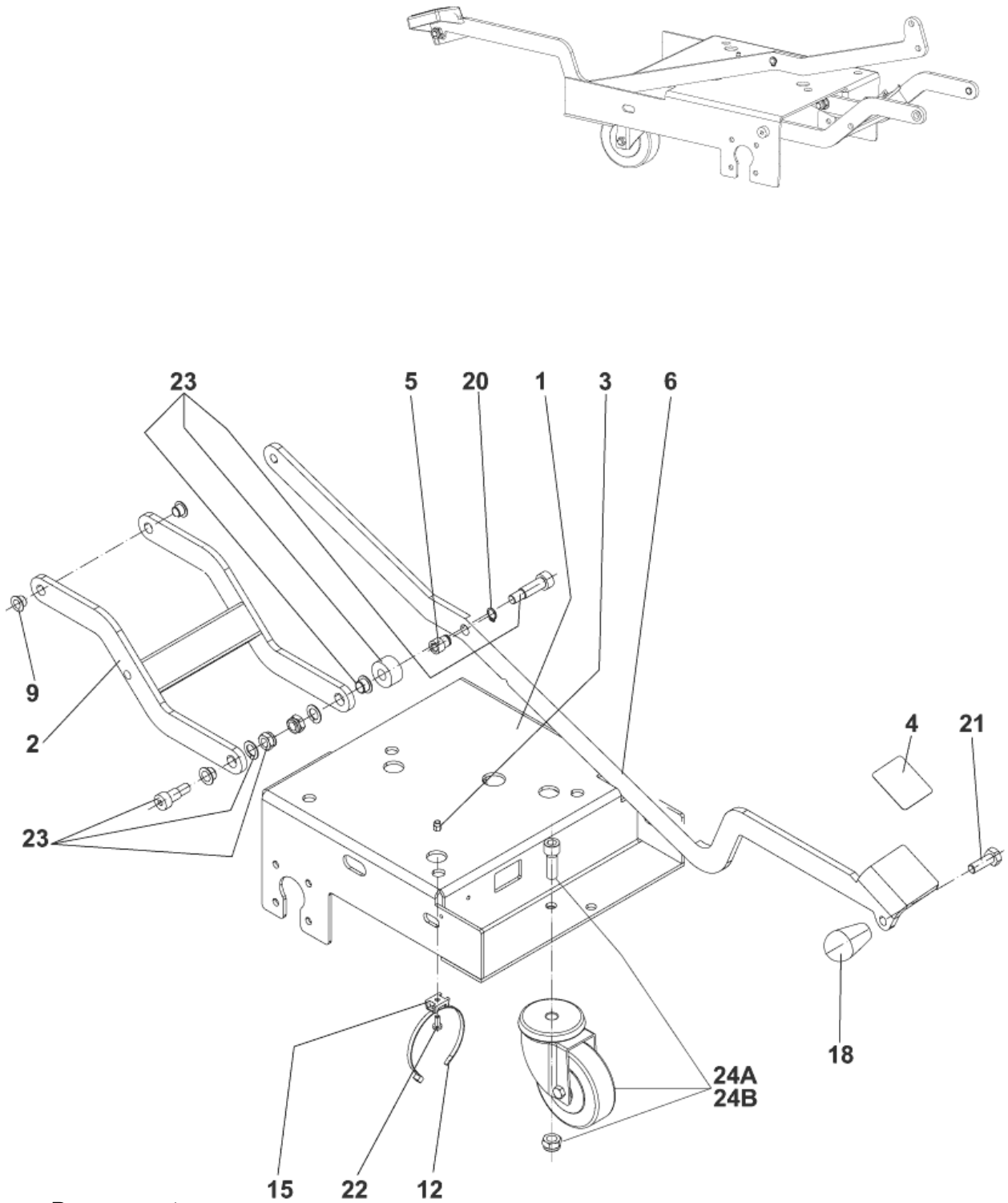
AFOR MOTOR 9099401000 (AMETEK) BFOR MOTOR 9098062000 (VIPER)

Pos.	Vare-nr	Antal	Beskrivelse	Notes
00	909 6876 000	1	Hardware Cage Sup.Fix.Kit	[1]
1	9099853000	1	HOSE SQUEEGEE VACUUM BLACK KIT	
2	9100001892	1	HOSE DRAIN L.1480MM 90 BLACK PKD	
3	9097654000	1	Holder, Låg	
5	L08239900	1	CLAMP D.6 WHITE	
9	9100000818	1	CAGE FLOAT HALF 2 PCS SET	
10	9100000817	1	BALL FLOATING PKD	
11	9100001875	1	SUPPORT FLOAT KIT	[2]
14	9100001348	1	CLAMP 14/32-52 10 PCS SET	
18	9097013000	1	Snavsvandtank Scrubtec 653	
19	9100002283	1	COVER TANK 55 LT BLUE SIP	
20	33005124	2	SCREW M5X12 C/SUNK FLAT HD PHIL ISO7046	
21	909 6901 000	1	Pakning	
22A	909 6489 000	1	Gasket Vacuum Motor	
22B	9098055000	1	GASKET VACUUM MOTOR	
23A	909 6490 000	1	Gasket Vacuum Motor	
23B	9097555000	1	Gasket vacuum moter	
24	909 6491 000	1	Panel Acoustic Insulation	
26	909 6672 000	1	Filter	
27	9099401000	1	Motor Vacuum Kit	
30	9100001246	1	COVER VACUUM MOTOR PKD	
31	909 6442 000	1	Pipe,Acoustic Insulation	
35A	909 5371 000	2	Kul, Sugemotor 410/343	
35B	9098231000	1	Carbon Brush Kit 2Pcs	
37	909 6877 000	1	Hardware Motor Fixing Kit	
38	909 5065 000	1	Anti-skumfilter	[3]

Part Notes:

- [1] - due to ODM/ECN 2810 should have been considered valid for all  
Machine configurations which were using it ONLY Before Serial Number 081813772 (Beginning of May 2008).  
GUARANTEE DATE EXPIRED
- NOT SHOWN - FOR OLD TYPE CAGE SUP.FIXING
- [2] - SEE INST. INSTR. 9100001876
- [3] - OPTIONAL - SE TSB IT 2008-002





Resource notes:

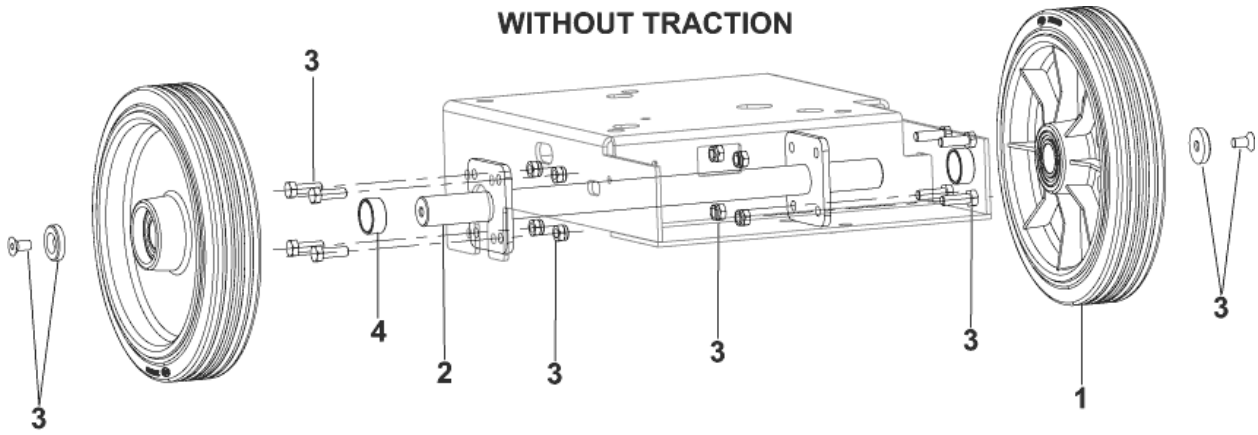
AONLY FOR SCRUBBER WITH DRIVE BONLY FOR SCRUBBER WITHOUT DRIVE

Pos.	Vare-nr	Antal	Beskrivelse	Notes
1	909 6481 000	1	CHASSIS	[1]
2	909 6486 000	1	Børstedæk Ophæng BA 551Cd	
3	145 6132 000	1	INSERT M5	
4	909 6539 000	1	MAT.ANTISKID	
5	909 6540 000	1	BUSH FLANGED	
6	9100001782	1	PEDAL BRUSH LIFTING SIP	
9	909 6594 000	3	BEARING FLANGE IGLIDUR GFM-1012-09	
12	1466344000	1	TIE CABLE 4.8x200 BLACK 10 PCS SET	
15	909 6595 000	1	HOLDER.FLAT TIE	
18A	909 6621 000	1	Knob	
20	33006051	1	Ring D 12 UNI7435	
21A	33004010	1	SCREW M10X30 HEX HD F/THD ISO4017	
22	909 6337 000	1	SCREW M5X12 PAN HD PHIL ISO7045	
23	909 6878 000	1	Hardware Chas. Fixing Kit	
24	9098947000	1	Bløde drejhjul	[2]
24A	909 6880 000	1	Castorhjul Kit	
24B	909 6880 000	1	Castorhjul Kit	
25	9100000335	1	STRAP ANTISTATIC KIT	[3]

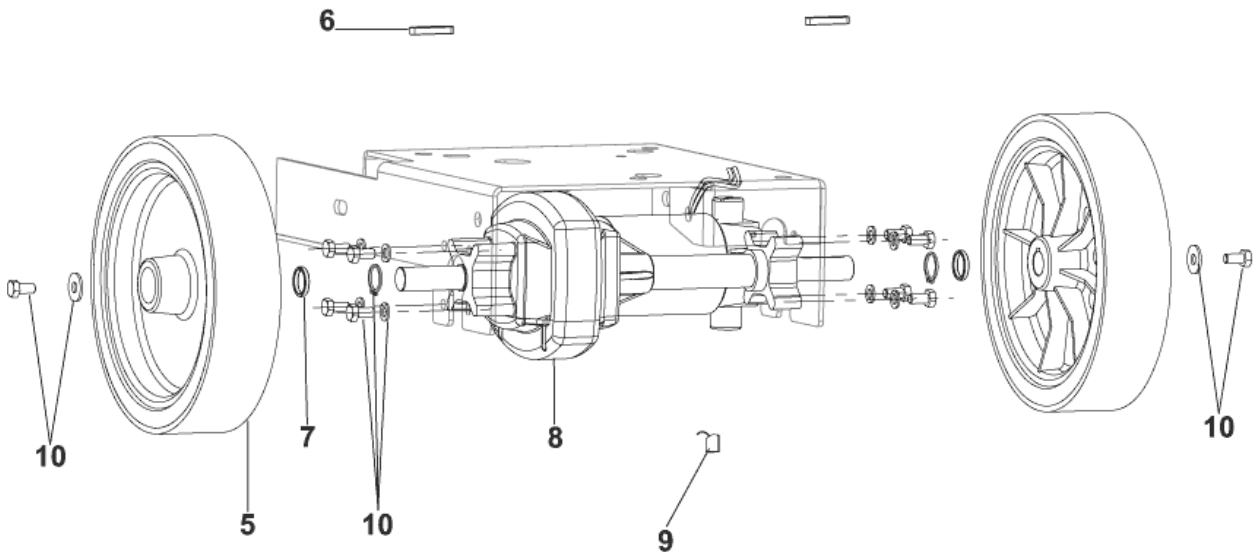
Part Notes:

- [1] - STOCK COVERS GUARANTEE
- [2] - OPTIONAL
- [3] - NOT SHOWN

**WITHOUT TRACTION**



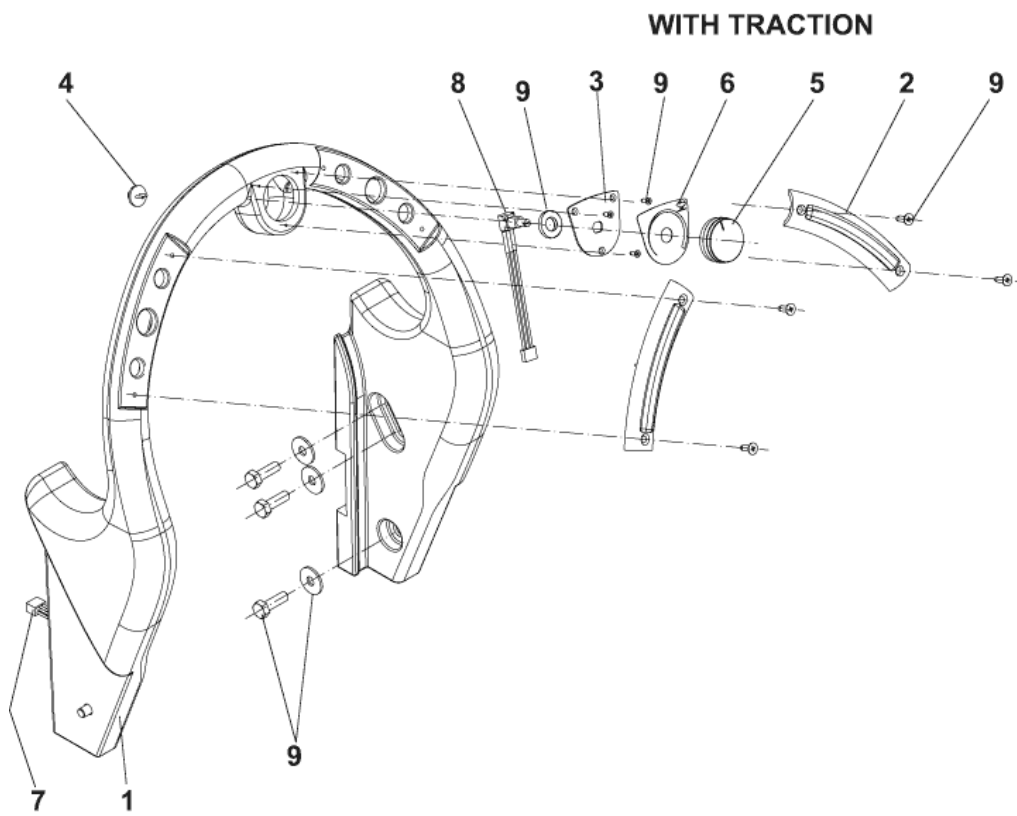
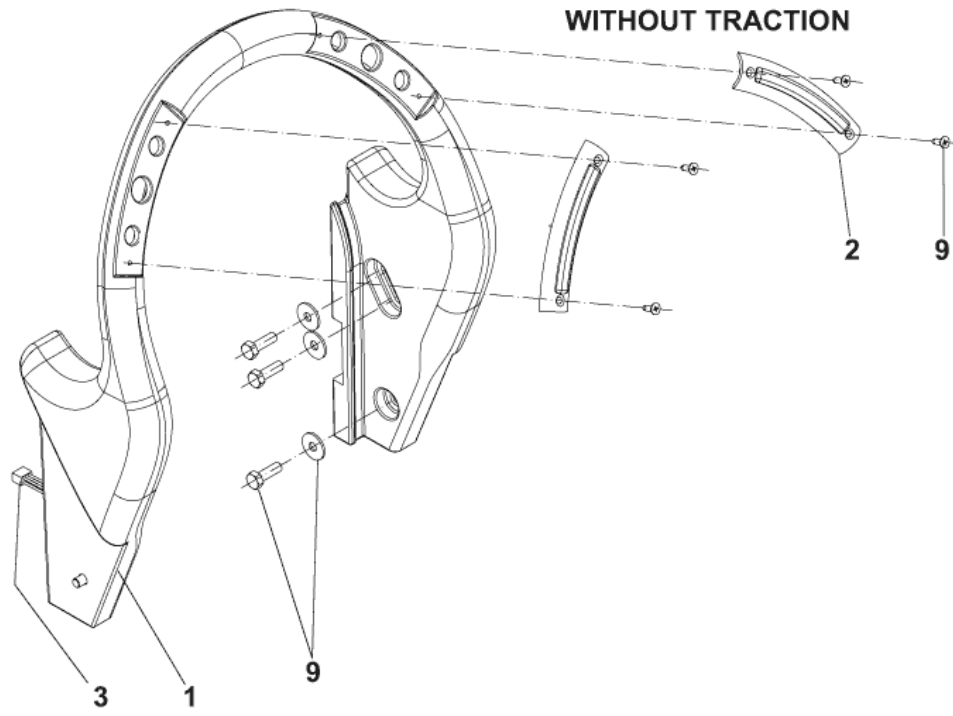
**WITH TRACTION**



Pos.	Vare-nr	Antal	Beskrivelse	Notes
1	9097085000	2	WHEEL FRONT D.250 BLUE	
2	9100002135	1	SHAFT WHEELS PHOS. SIP	
3	9098299000	1	HARDWARE WHEELS KIT	
4	9098452000	1	HARDWARE WHEELS SYSTEM KIT	
5	9099691000	1	WHEELS KIT	
5	9097026000	2	Trækjul, olieresistente, Ø300 mm	[1]
6	146 0769 000	2	KEY 6X6X40 UNI6604A	
7	9100001161	1	SPACER 20.5X25X4 10 PCS SET	
8	909 6548 000	1	Køremotor 200W 24V Ba450/551/611	
9	145 5124 000	2	Kul F. Aw 455 Børstemotor	
10	9098298000	1	HARDWARE DRIVE WHEELS KIT	

## Part Notes:

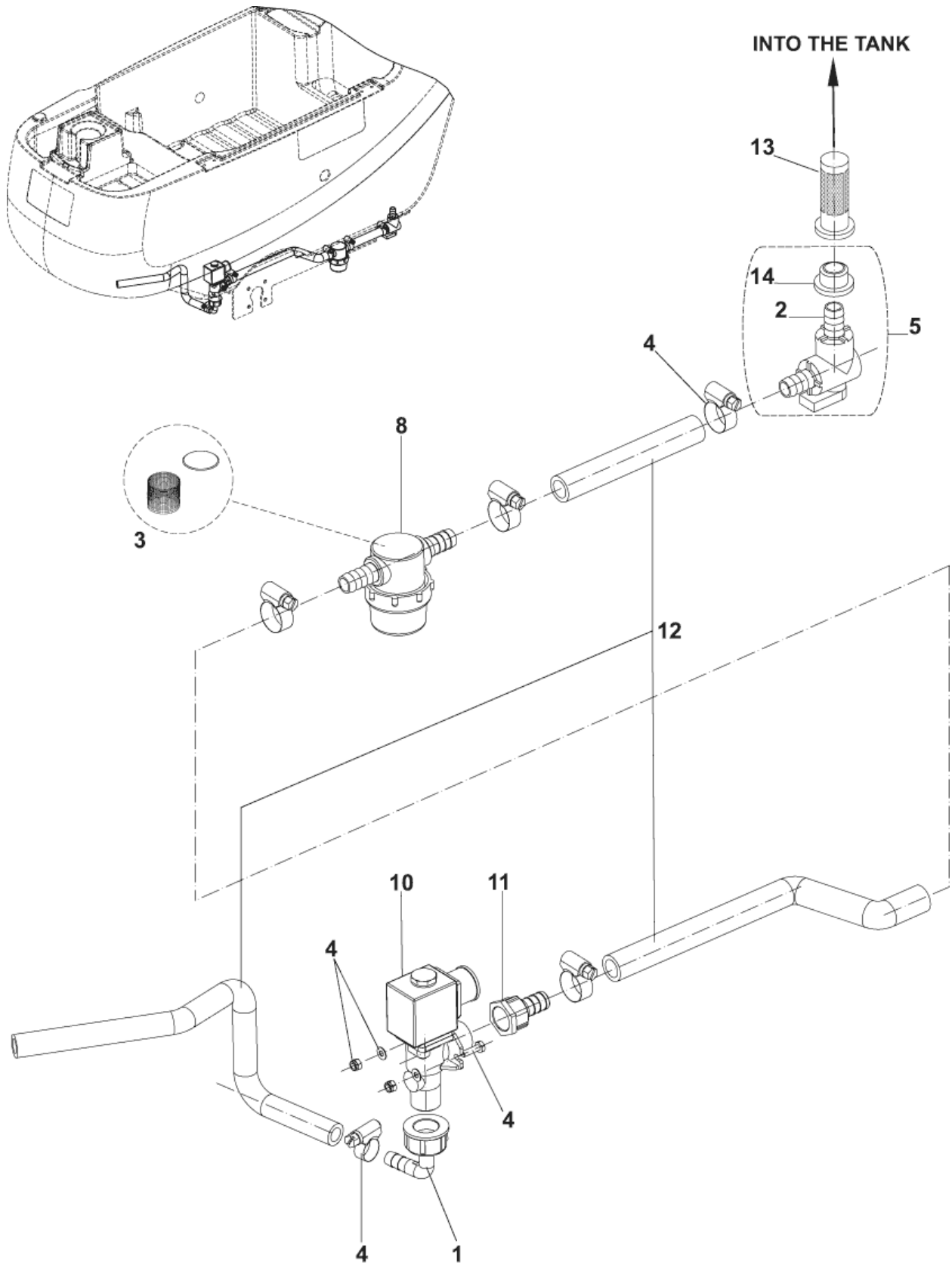
[1] - OPTIONAL



Pos.	Vare-nr	Antal	Beskrivelse	Notes
1	9097021000	1	HANDLE BAR PLASTIC	[1]
1	9097018000	1	Handle Bar Drive Version	[2]
2	9100000467	1	SWITCHES CPL YELLOW F HANDLE BAR KIT	[3]
3	9097031000	1	Plate Potentiometer	[2]
3	9097036000	1	HARNESS HANDLE BAR	[1]
4	9097153000	1	Kontakt	[3]
5	9098484000	1	Knop	[2]
6	9097071000	1	Decal Traction Control	[2]
7	9097035000	1	HARNESS HANDLE BAR	[2]
8	9097043000	1	Potentiometer Scrubtex 661Bd	[2]
9	9098330000	1	HARDWARE HANDLE SYSTEM KIT	

## Part Notes:

- [1] - SCRUBTEC 653 B
- [2] - SCRUBTEC 653 BL - 651 BCL - 661 BL
- [3] - SCRUBTEC 653B - 653 BL - 651 BCL - 661 BL

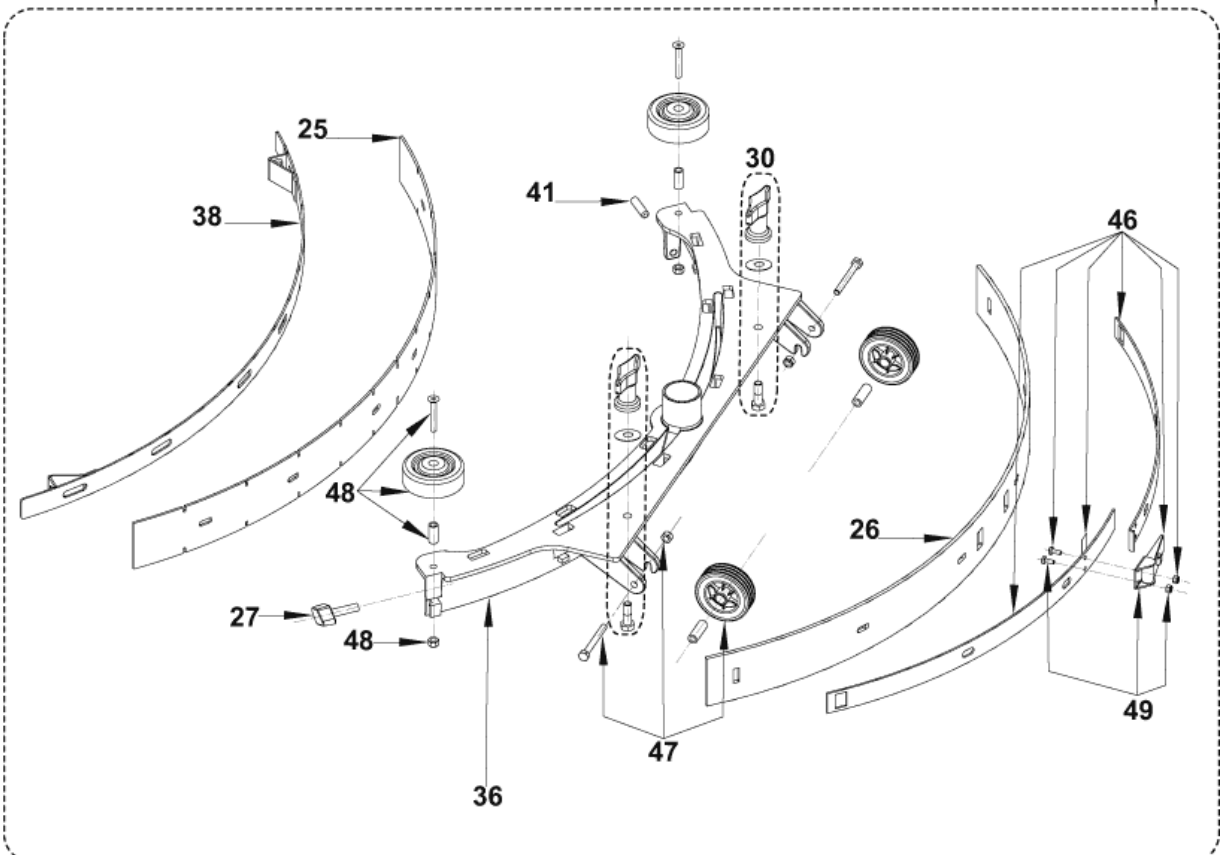
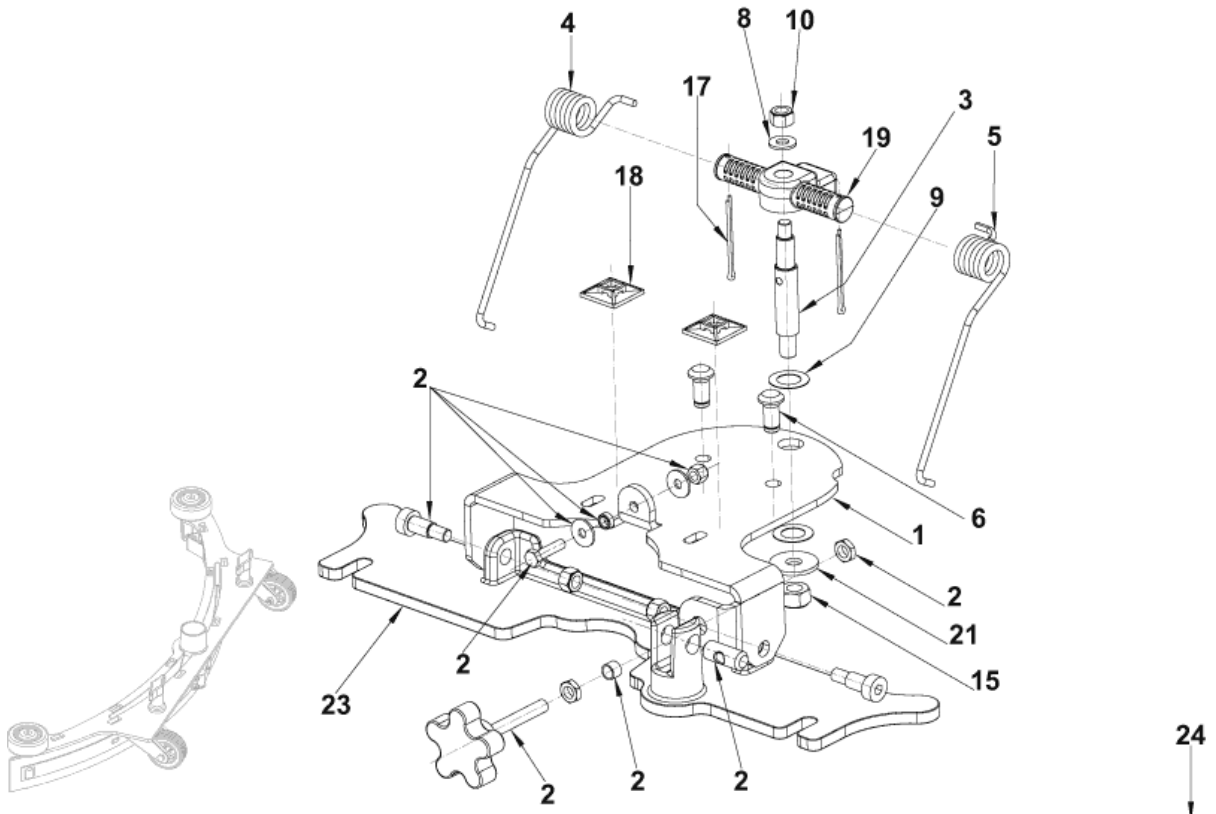


Pos.	Vare-nr	Antal	Beskrivelse	Notes
1	9098777000	1	Vinkel	
2	9100000803	1	VALVE ELBOW PKD	
3	L08603893	1	Filternet+Pakn. Til 909 5151 000	
4	9098301000	1	HARDWARE SOLUTION SYSTEM KIT	
5	9097626000	1	Ventil	
8	9097154000	1	Filter Complete Kit	
10	909 6555 000	1	Solenoid Valve 24V	
11	9100002148	1	BARB HOSE STRAIGHT 1/2 D.13 PLAST. KIT	
12	9097171000	1	HOSES SOLENOID VALVE KIT	
13	9100001353	1	FILTER SOLUTION TANK PKD	[1]
14	909 5286 000	1	Pakning BA 410	

Part Notes:

[1] - OPTIONAL





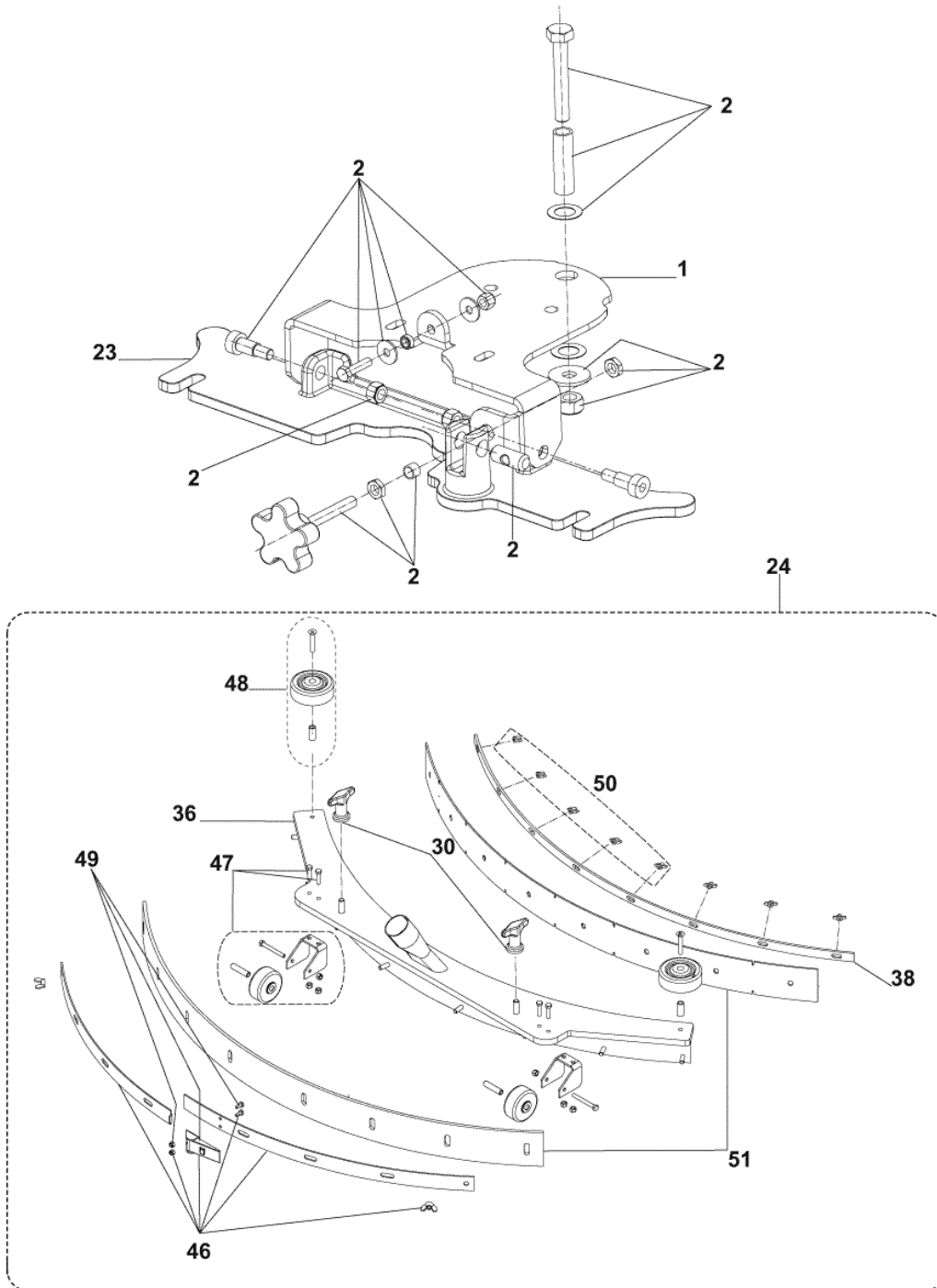
Resource notes:

POSITIONS 25-26: 909 6483 000 - 909 6484 000 included in the kit 909 6860 000

Pos.	Vare-nr	Antal	Beskrivelse	Notes
00	9097548000	1	Pakning, Nylon Kit Til Skviser	[1]
1	909 6494 000	1	Bracket, Squeegee Support	
2	909 6885 000	1	Squeegee Justeringskit Ba451-551	
3	909 6497 000	1	Bolt,Squeegee	
4	909 6537 000	1	Fjeder Til Squeegee	
5	909 6538 000	1	Fjeder Til Squeegee	
6	909 6543 000	2	Pin, Squeegee Fixing	[2]
8	33023208	1	WASHER M8 UNI6592 10 PCS SET	
9	L08238300	2	Skive	
10	33023574	1	NUT LOCK HEX M8 ISO10511 PCS 10 SET	
15	33005608	1	Møtrik M10 Uni7474	
17	33005758	2	Split Til Sugefod	
18	909 6635 000	2	Holder	
19	9100000515	1	SUPPORT SQUEEGEE SPRING PKD	
21	L08604251	1	Disc 10,5 Ba340/450/530	
23	909 6045 000	1	Beslag Til Sugefod	
24	909 6851 000	1	Sugefod, komplet	
25	9100000279	1	Sugegummi kit sværtefri 29" 740 mm	
27	9100000791	1	KNOB M8X30 THD STUD SS PKD	
30	9097637000	1	Monteringskrue (2 Stk)	
36	909 6044 000	1	"Sugefod 30"" Kun Metaldel "	
38	909 6055 000	1	Holder For Sugegummi	
41	909 6600 000	1	SCREW GRUB M8X30 CUP POINT SS ISO4029	
46	909 6882 000	1	Skinnekit	
47	909 6883 000	2	Hjul For Squeegeerkit	
48	909 6884 000	2	Påkørselshjul, Kit	
49	909 6394 000	1	Latch Squeegee Kit	

## Part Notes:

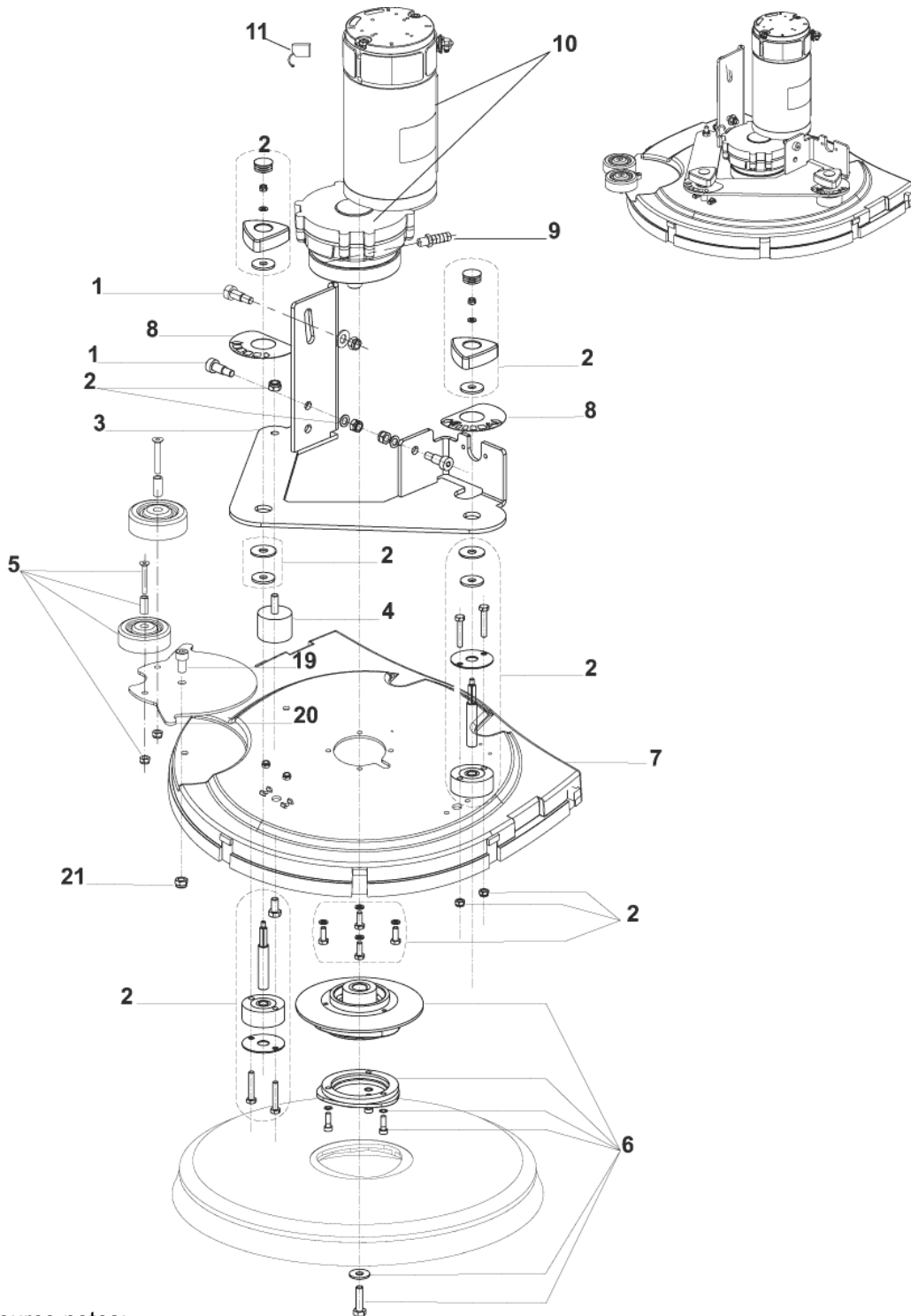
- [1] - NOT SHOWN - SEE IT 2007-031  
 [2] - STOCK COVERS GUARANTEE



Pos.	Vare-nr	Antal	Beskrivelse	Notes
1	909 6494 000	1	Bracket, Squeegee Support	
2	9098527000	1	Hardware Squ. Fixing Supp	
23	909 6045 000	1	Beslag Til Sugefod	
24	909 5372 000	1	"Sugefod Kit 33"" Komplet "	
25	909 5629 000	1	Sugelæbe Front Ba600/Ba65 Afsmitningsfri	[1]
30	9097637000	1	Monteringsskrue (2 Stk)	
36	9100000962	1	SQUEEGEE SS 840MM/33 SIP	
38	L08603831	1	Strap Front	
46	909 6894 000	1	Hardware Squeegee Blade Fixing Kit	
47	9100000573	2	Hjul til sugefod kit	
48	L08603880	2	Stødhjulskit, Sugefod	
49	909 6394 000	1	Latch Squeegee Kit	
50	909 6356 000	2	Vingemøtrik-Sæt (2 Stk.)	
51	9100000280	1	Sugegummi kit sværtefri 33" 840 mm	[2]

## Part Notes:

- [1] - OPTIONAL  
 [2] - INCLUDES POS.25-26

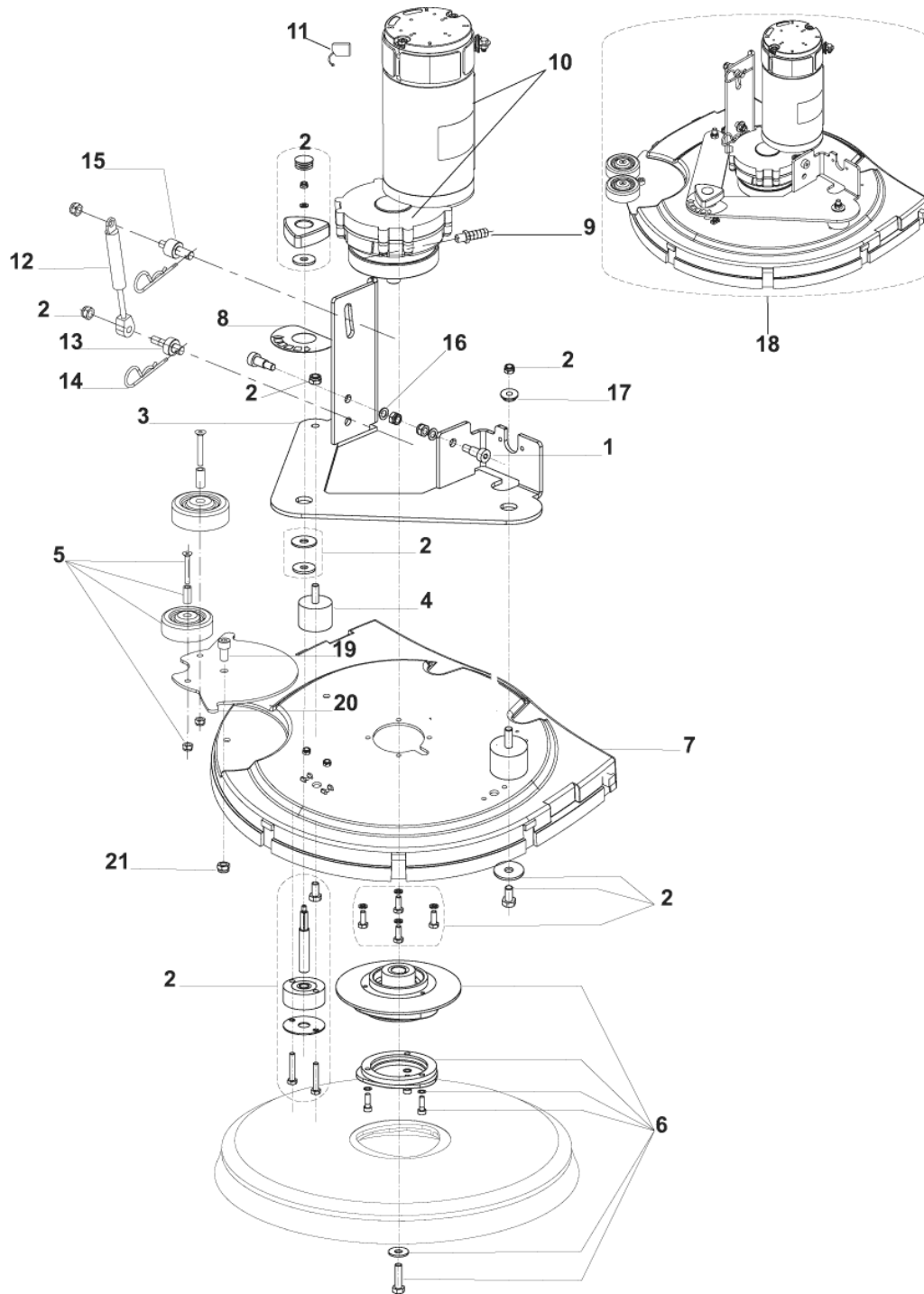


Resource notes:

Pos.	Vare-nr	Antal	Beskrivelse	Notes
00	9097599000	1	Beskyttelsessæt	[1]
1	9100001160	3	SCREW SHOUL 10X16 M8 ISO7379 10 PCS SET	
2	9099419000	1	Justeringsæt F. Børste	
3	909 6485 000	1	Plate Deck Brush Holder	
4	9100000868	1	VIBRATION DAMPING M8 60SH 2 PCS SET	
5	909 6355 000	2	Roller Bumper Kit	
6	9097093000	1	Børsteholder Poly Kit	
7	9097078000	1	DECK BRUSH BLACK 530 MM	
8	9100001521	1	DECALS SCRUB. 651/653/661 B/BL/BCL KIT	
9	L08601624	1	Slangestuds Plast	
10	9098308000	1	Gearmotor 450W 24V	[2]
10	1466147000	1	KEY 5X5X20 UNI6604A PKD	[3]
11	909 5380 000	1	Carbon Brush Kit	[4]
11	9098674000	1	CARBON BRUSHES KIT 4 PCS	[5]
11	9098376000	1	CARBON BRUSHES KIT 4 PCS	[6]
19	32400530	1	SCREW M8X16 BUTTON HD HEX SS ISO7380	
20	909 6887 000	1	Stødhjul	
21	145 0452 000	1	Skrue	

## Part Notes:

- [1] - SEE TSB-FC-2015-035
- NOT SHOWN - OPTIONAL - INST.INSTR. 9097600000 FOR 909 6546 000 - SEE TSB IT 2008-014
- see TSB FC 2015-035 (COMING SOON)
- [2] - STARTING FROM SN 101712160
- [3] - NOT SHOWN - ALREADY INCLUDED IN REDUCTION GEARMOTOR
- [4] - FOR REDUCTION GEARMOTOR 909 6546 000 (LEROY SOMER)  
STOCK COVERS GUARANTEE
- [5] - FOR REDUCTION GEARMOTOR 9098352000 (VIPER)  
GUARANTEE DATE EXPIRED
- [6] - FOR REDUCTION GEARMOTOR 9098308000 (AMER)

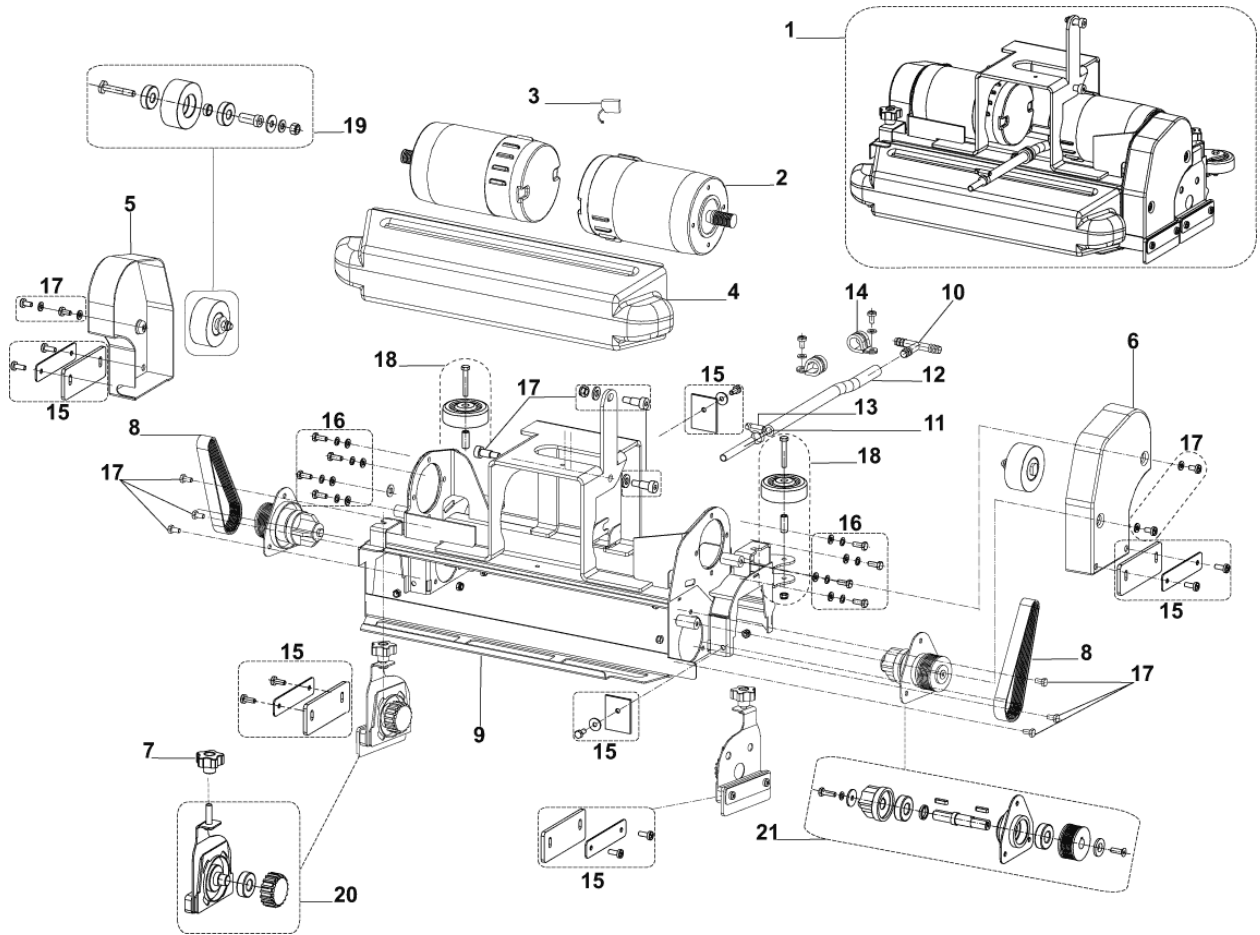


Pos.	Vare-nr	Antal	Beskrivelse	Notes
00	9097599000	1	Beskyttelsessæt	[1]
1	9100001160	2	SCREW SHOUL 10X16 M8 ISO7379 10 PCS SET	
2	9099419000	1	Justeringssæt F. Børste	
3	909 6485 000	1	Plate Deck Brush Holder	
4	9100000868	1	VIBRATION DAMPING M8 60SH 2 PCS SET	
5	909 6355 000	2	Roller Bumper Kit	
6	9097093000	1	Børsteholder Poly Kit	
7	9097078000	1	DECK BRUSH BLACK 530 MM	
8	9100001521	1	DECALS SCRUB. 651/653/661 B/BL/BCL KIT	
9	L08601624	1	Slangestuds Plast	
10	9098308000	1	Gearmotor 450W 24V	[2]
10	1466147000	1	KEY 5X5X20 UNI6604A PKD	[3]
11	909 5380 000	1	Carbon Brush Kit	[4]
11	9098376000	1	CARBON BRUSHES KIT 4 PCS	[5]
12	909 5637 000	1	Gas Fjeder	
13	909 6516 000	1	PIN LOWER	
14	1467692000	1	PIN SPRING COTTER 3X56 GALV. 2 PCS SET	
15	909 6515 000	1	Pin Upper	
16	33023224	2	WASHER PLAIN M10 ISO7089 10 PCS SET	
17	909 6513 000	1	BUSH FLANGED	
18	9097177000	1	Børstehoved, komplet	
19	32400530	1	SCREW M8X16 BUTTON HD HEX SS ISO7380	
20	909 6887 000	1	Stødhjul	
21	145 0452 000	1	Skruer	

## Part Notes:

- [1] - SEE TSB-FC-2015-035
- NOT SHOWN - OPTIONAL - INST.INSTR. 9097600000 FOR 909 6546 000 - SEE TSB IT 2008-014
- see TSB FC 2015-035 (COMING SOON)
- [2] - STARTING FROM SN 093819232
- [3] - NOT SHOWN - ALREADY INCLUDED IN REDUCTION GEARMOTOR
- [4] - FOR REDUCTION GEARMOTOR 909 6546 000 (LEROY SOMER)  
STOCK COVERS GUARANTEE
- [5] - FOR REDUCTION GEARMOTOR 9098308000 (AMER)

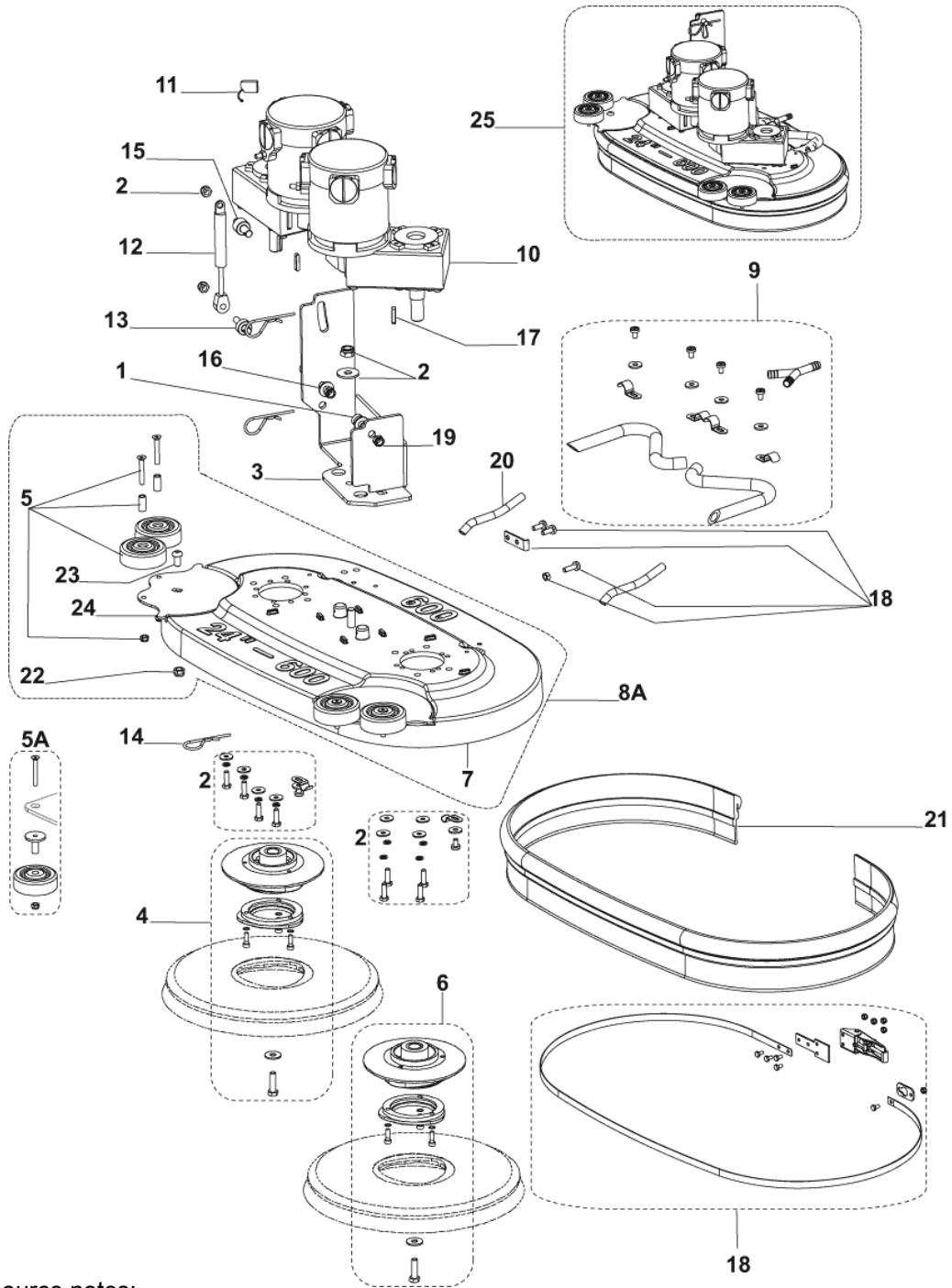




Pos.	Vare-nr	Antal	Beskrivelse	Notes
00	909 6620 000	1	HARNESSE CYL. BRUSH DECK	[1]
1	909 6854 000	1	Børstehoved, komplet	
2	9096997000	2	Gearmotor	
3	1464432000	2	Brush Carbon Kit 4Pcs	[2]
4	909 5805 000	1	Skidtkasse 651Bcl Scrubtec 651Bcl Cyl.	
5	909 5818 000	1	Skjold, Venstre	
6	909 5817 000	1	Skjold, Højre	
7	9100002017	2	KNOB M8 SIP	
8	909 5820 000	2	Belt Poly-V	
9	909 6518 000	1	FRAME CYLINDRICAL DECK	
10	145 4366 000	1	HOLDER RUBBER T D.12	
11	909 5772 000	1	HOSE COPPER	
12	909 5870 000	1	HOSE PVC W/SPIRAL D.10X16 L.190MM	
13	33023593	1	CLAMP HOSE 8-16/9 DIN3017 2 PCS SET	
14	909 5516 000	2	CLAMP HOSE D.18	
15	9098489000	1	Guards Splash Kit	
16	9098490000	1	HARDWARE BELT TENSIONER ROLLER KIT	
17	9098491000	1	Hardware Cyl.Deck Kit	
18	9098488000	1	Afviserrulle-Sæt	
19	9098485000	2	Belt Tensioner Kit	
20	9098486000	2	Monteringsplade	
21	9098487000	2	Support Pulley Cyl.Brush	

## Part Notes:

- [1] - NOT SHOWN  
 [2] - 1 kit (incl.4 brushes) needed for each motor

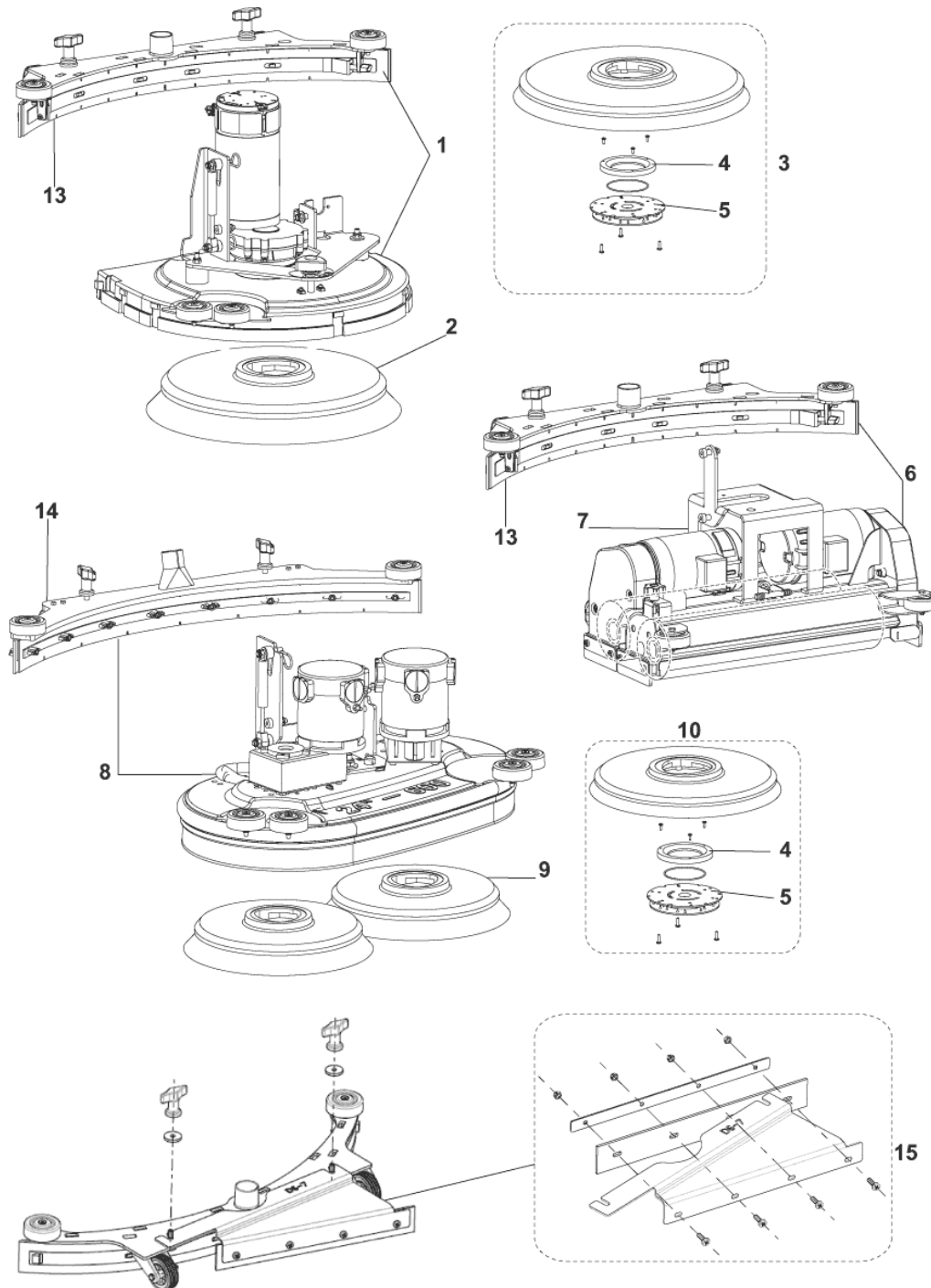


Resource notes:

Pos.	Vare-nr	Antal	Beskrivelse	Notes
00	909 6619 000	1	HARNESS BRUSH DECK	[1]
00	9100001521	1	DECALS SCRUB. 651/653/661 B/BL/BCL KIT	[1]
1	9100001160	3	SCREW SHOUL 10X16 M8 ISO7379 10 PCS SET	
2	9098496000	1	HARDWARE BRUSH DECK KIT	
3	909 6512 000	1	Bracket Brush Deck	
4	L08812589	1	Holder Polyg.W/Flange Kit	[2]
5	909 6355 000	4	Roller Bumper Kit	
5A	909 5894 000	2	Roller Bumper Kit BA 650/750/600S	[3]
6	9097092000	1	Holder Polygonal Kit	[4]
7	9097083000	1	DECK BRUSH BLACK 600 MM	
8A	9097690000	1	DECK BRUSH 600MM/24 DOUBLE KIT	[3]
9	909 6891 000	1	Y-Stykke Til Rentvand Kit Deck Kit	
10	9100000678	1	REDUCTION GEARMOTOR 350W 24V PKD	
11	909 6893 000	2	Carbon Brush Kit -4Pcs-	
12	909 5637 000	1	Gas Fjeder	
13	909 6516 000	1	PIN LOWER	
14	1467692000	2	PIN SPRING COTTER 3X56 GALV. 2 PCS SET	
15	909 6515 000	1	Pin Upper	
16	33023224	3	WASHER PLAIN M10 ISO7089 10 PCS SET	
17	1466146000	2	KEY 5X5X25 UNI6604A PKD	
18	909 5398 000	1	Spændebånd, Stænkskørte BA 650/600S	
19	33023574	1	NUT LOCK HEX M8 ISO10511 PCS 10 SET	
20	909 5228 000	2	HOSE COPPER	[5]
21	909 5224 000	1	Børsteinddækningssæt, 650 mm	
22	145 0452 000	2	Skruer	
23	32400530	2	SCREW M8X16 BUTTON HD HEX SS ISO7380	
24	9097682000	2	BRACKET ROLLER BUMPER	
25	9097179000	1	Børstehoved, komplet	

## Part Notes:

- [1] - NOT SHOWN
- [2] - right
- [3] - SEE TSB IT 2008-010
- [4] - left
- [5] - STOCK COVERS GUARANTEE



Resource notes:

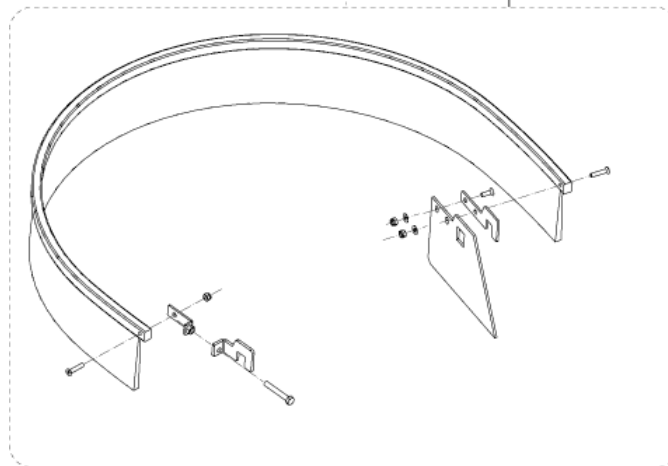
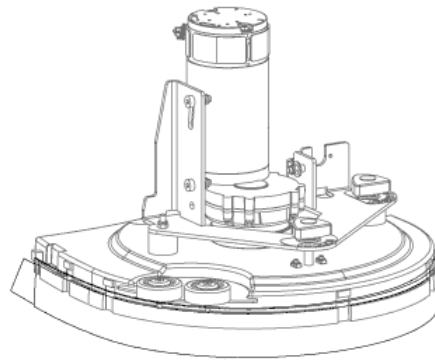
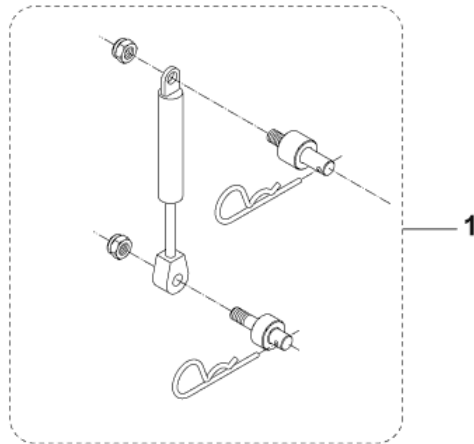
POSITIONS 0: 909 6483 000 - 909 6484 000 included in the kit 909 6860 000  
POSITIONS 0: L08603830-  
L08603832 included in the kit 9097499000

Pos.	Vare-nr	Antal	Beskrivelse	Notes
00	910000279	1	Sugegummi kit sværtefri 29" 740 mm	[1]
00	909 6859 000	1	Sugegummi kit polyurethan 33" 830 mm	[1]
00	909 6658 000	1	CAP PLASTIC	[2]
1	9097181000	1	DECK BRUSH 530MM/21 KIT W.SQU.	
2	L08837025	1	Børste Prolene 21" Ø530 mm	
2	L08837027	1	Børste naturhår 21" Ø530 mm	
2	L08837066	1	Børste Dyna Grit 80 21" Ø530 mm	
2	L08837029	1	Børste Clean Grit 21" Ø530 mm	
2	L08837065	1	Børste Magna Grit 46 21" Ø530 mm	
2	L08837028	1	Børste Midlite Grit 180 21" Ø530 mm	
2	L08837067	1	Børste Aglite Grit 500 21" Ø530 mm	
2	L08837026	1	Børste Prolite 21" Ø530 mm	
3	L08837018	1	Rondelholder 21" Ø530 mm	
4	L08603966	1	Ring Nylon	
5	56505195	1	Rondellås Lynkobling	
6	909 6849 000	1	DECK BRUSH 510MM/20 CYL KIT	
7	909 5823 000	2	Cylinderbørste polypropylen 510 mm 0,4	
7	909 5825 000	2	Cylinderbørste polypropylen 510 mm 0,6	
7	909 5824 000	2	Cylinderbørste polypropylen 510 mm 0,45	
8	9097183000	1	DECK BRUSH 610MM/24 KIT W.SQU.	
9	L08603875	2	Børste Union Mix 12" Ø305 mm	
9	L08603842	2	Børste Prolene 12" Ø305 mm	
9	L08603872	2	Børste Midlite Grit 240 12" Ø305 mm	
9	L08603873	2	Børste Mid Grit 180 12" Ø305 mm	
9	L08603874	2	Børste Prolite 12" Ø305 mm	
10	9099670000	2	Rondelholder 12" Ø305 mm Velcro	
13	L08603878	1	Squeegee Komp.Ba450/530	
13	909 6851 000	1	Sugefod, komplet	
14	909 5372 000	1	"Sugefod Kit 33"" Komplet "	
15	9098343000	1	Tredje Sugelæbe Kit 451/531 551/611	[3]

Part Notes:

- [1] - NOT SHOWN
- [2] - GUARANTEE DATE EXPIRED
- [3] - INST.INSTR.9098337000

**EXTRA PRESSURE KIT  
(SCRUBTEC 653 B)**



**SPLASH GUARD 20" KIT  
( SCRUBTEC 653 B - SCRUBTEC 653 BL )**

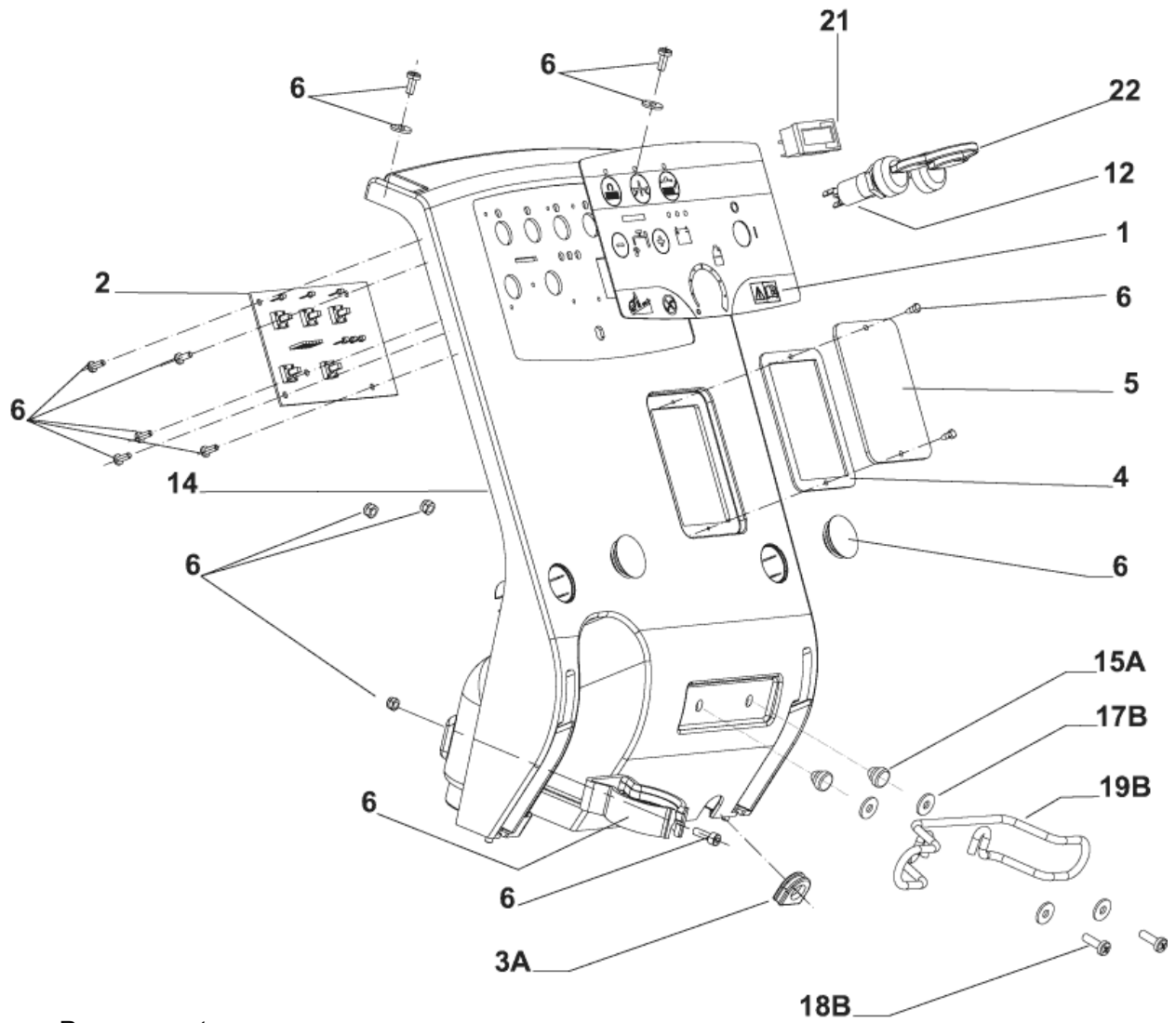
---

Pos.	Vare-nr	Antal	Beskrivelse	Notes
1	9097186000	1	Ekstra børstetryk kit, 20 kg	[1]
2	909 6736 000	1	Stænkskørt kit 21" 530 mm	[2]

## Part Notes:

- [1] - SEE INST. INSTR. 909 6759 000
- [2] - SEE INST. INSTR. 909 6745 000





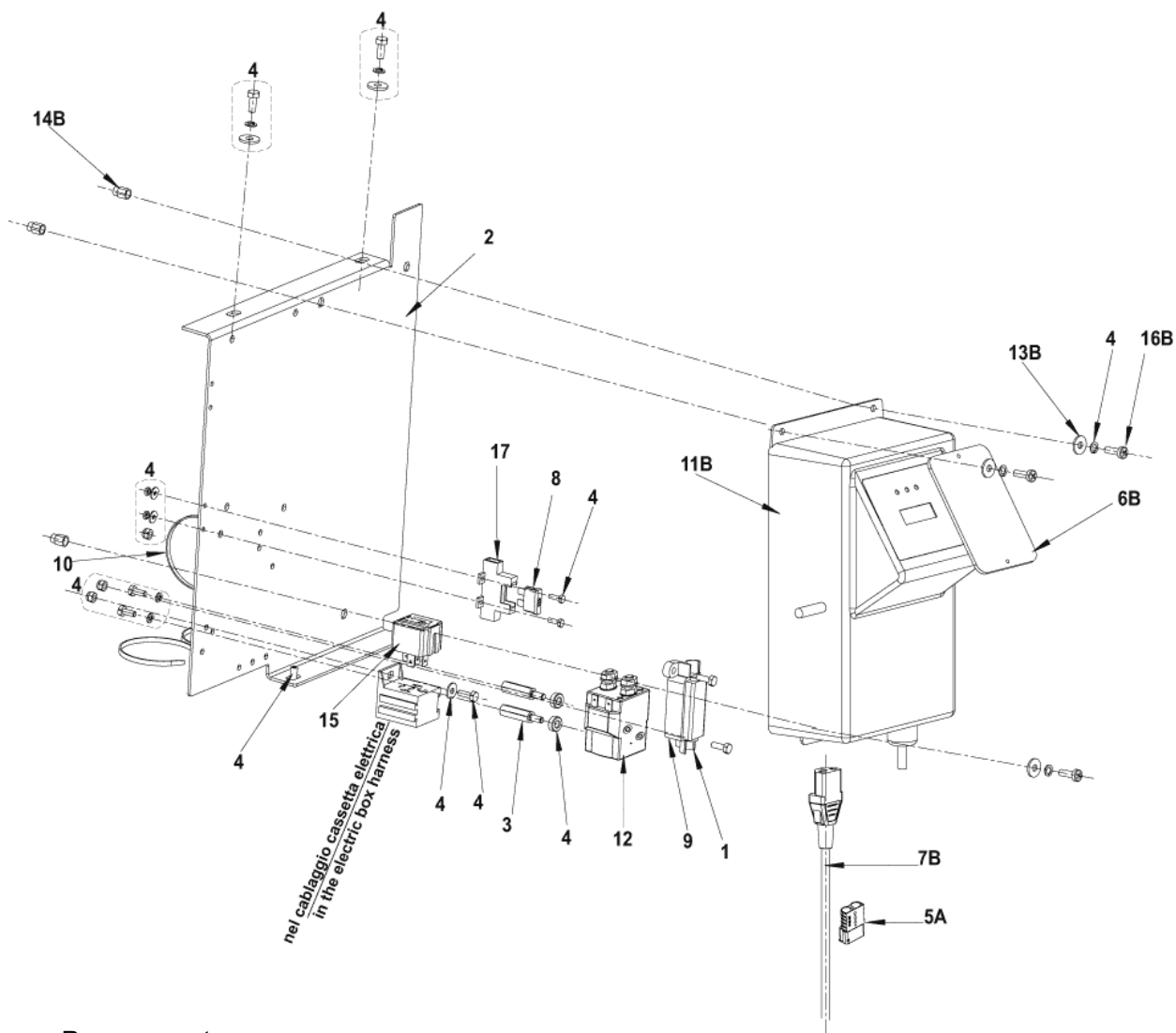
Resource notes:

AONLY VERSION WITHOUT BATTERY CHARGER ON BOARD BONLY VERSION WITH BATTERY CHARGER ON BOARD

Pos.	Vare-nr	Antal	Beskrivelse	Notes
1	9097025000	1	Decal Control Panel	
2	9100000176	1	Print	
3A	909 6542 000	1	GROMMET	
4	909 6545 000	1	GASKET	
5A	9100001065	1	COVER F INSPECTION PLATE BLACK SIP	
6	9100001891	1	HARDWARE CONTROL PANEL KIT	
12	9100001354	1	SWITCH KEY WITH CAP PKD	
14	9098123000	1	Cover El.Comp.Blue Kit	
15A	909 6553 000	2	FEET RUBBER	
17B	1467686000	1	WASHER PLAIN M5X15 ISO7093 10 PCS SET	
18B	146 2090 000	2	SCREW M5X16 PAN HD PHIL ISO7045	
19B	1466317000	1	SUPPORT CABLE KIT	
21	9096951000	1	Timetæller kit, 24 V	[1]
22	146 2887 000	1	Nøgle (2 Pcs) Ba510Sd	
23	9100000878	2	FUSE BLADE 3A SIP	[2]
24	909 6678 000	1	FUSE 20A GLASS DELAYED	[2]

## Part Notes:

- [1] - OPTION - SEE INST. INSTR. 9096952000  
 [2] - NOT SHOWN



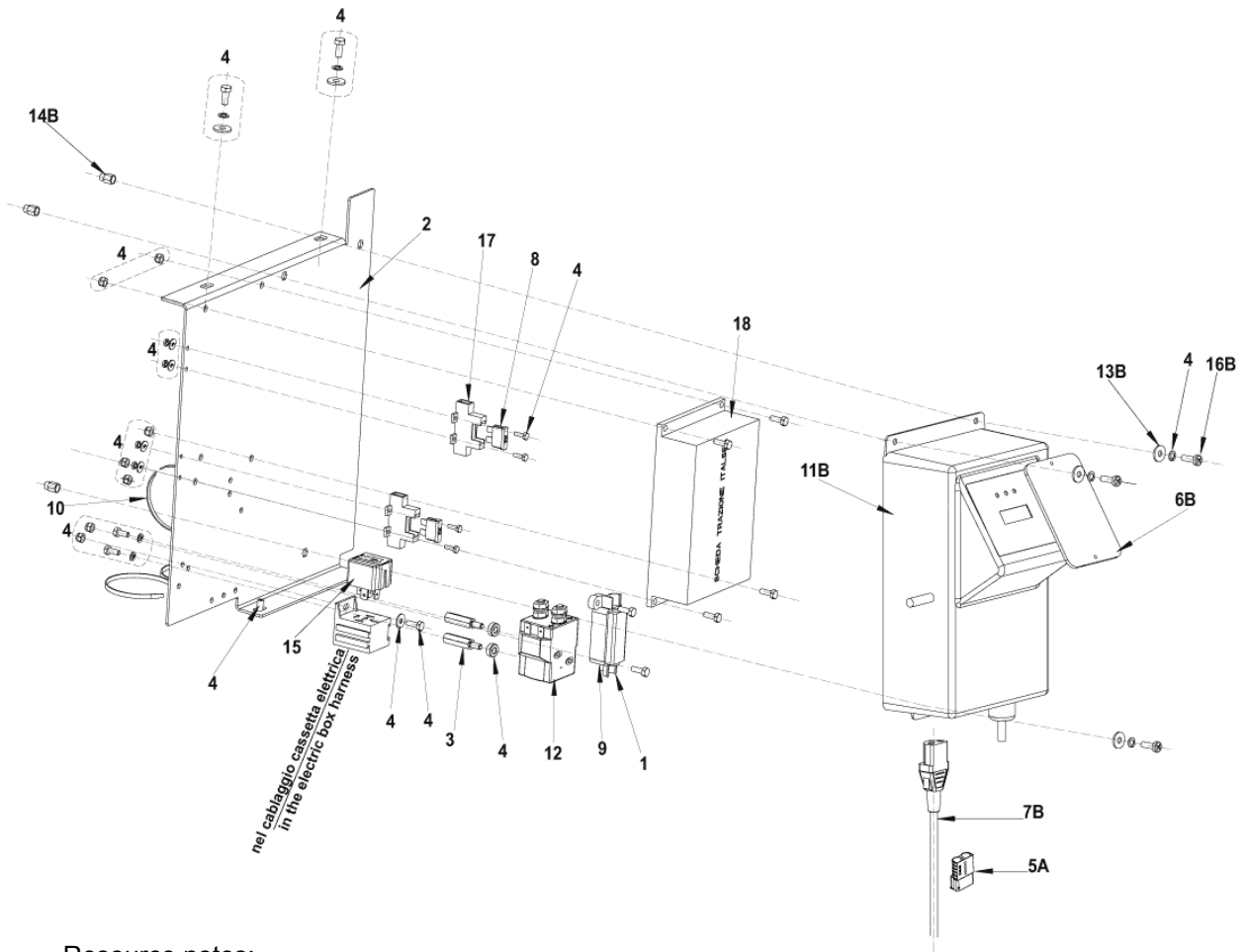
Resource notes:

ONLY VERSION WITHOUT BATTERY CHARGER ON BOARD ONLY VERSION WITH BATTERY CHARGER ON BOARD

Pos.	Vare-nr	Antal	Beskrivelse	Notes
00	9097036000	1	HARNESS HANDLE BAR	
00	9097590000	1	Batteri Kabel	
00	9097034000	1	Harness Electric Box	
00	909 6613 000	1	HARNESS VACUUM MOTOR	
00	9097038000	1	HARNESS MACHINE	
00	80564400	2	Batteri 12V 105A GEL monoblok	
00	9100001950	1	HARNESS BATTERY KIT	
1	145 8046 000	1	Säkeringshållare	
2	909 6498 000	1	SUPPORT ELECTRIC COMP.	[1]
3	909 6676 000	2	SPACER M4 L25	[1]
4	9098303000	1	HARDWARE ELECTRIC SYSTEM KIT	
5A	9100002117	2	CONNECTOR RED 120A PKD	
6B	9100001064	1	COVER F INSPECTION PLATE TRANSP. SIP	
7B	1466318000	1	CABLE EXTENSION UK PLUG L.2000MM SIP	
7B	9100000790	1	CABLE EXTENSION EU PLUG L.1000MM PKD	
8	145 8513 000	1	Sikring 30A	
9	145 3824 000	1	Sikring 40A,Bladsikring	
10	145 1449 000	3	TIE CABLE 3.6x140 BLACK	
11B	9098297000	1	Lader (Indbygget) 24V 13A	
12	9097209000	1	Switch Electromagnetic 24V	
13B	33023195	3	WASHER PLAIN M5 ISO7089 10 PCS SET	
14B	145 6132 000	3	INSERT M5	
15	909 6622 000	1	Relæ 24V 40A	
16B	1466964000	1	SCREW M5X20 PAN HD ISO7045 10 PCS SET	
17	1467035000	2	HOLDER FUSE THERMOPL.UL 94-V0 SIP	

## Part Notes:

[1] - COMPLEXITY REDUCTION



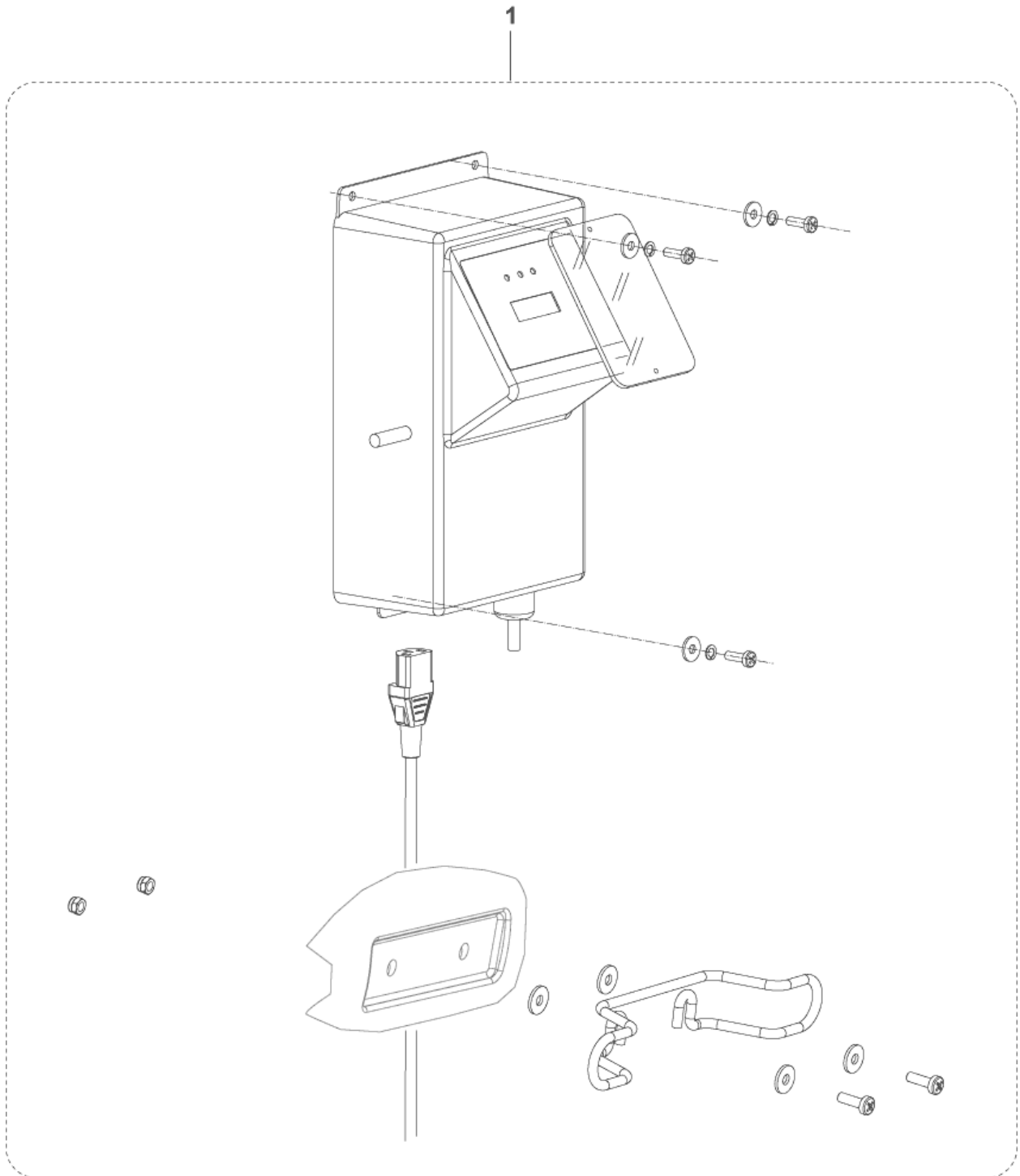
Resource notes:

ONLY VERSION WITHOUT BATTERY CHARGER ON BOARD ONLY VERSION WITH BATTERY CHARGER ON BOARD

Pos.	Vare-nr	Antal	Beskrivelse	Notes
00	9097590000	1	Batteri Kabel	
00	9096964000	1	HARNESS ELECTRIC BOX	
00	909 6613 000	1	HARNESS VACUUM MOTOR	
00	9096962000	1	HARNESS TRACTION MACHINE	
00	9100001950	1	HARNESS BATTERY KIT	
00	9097035000	1	HARNESS HANDLE BAR	
1	145 8046 000	1	Säkeringshållare	
2	909 6498 000	1	SUPPORT ELECTRIC COMP.	[1]
3	909 6676 000	2	SPACER M4 L25	[1]
4	9098303000	1	HARDWARE ELECTRIC SYSTEM KIT	[2]
5A	9100002117	2	CONNECTOR RED 120A PKD	
6B	9100001064	1	COVER F INSPECTION PLATE TRANSP. SIP	
7B	9100000790	1	CABLE EXTENSION EU PLUG L.1000MM PKD	
7B	1466318000	1	CABLE EXTENSION UK PLUG L.2000MM SIP	
8	145 8513 000	1	Sikring 30A	
9	145 3824 000	1	Sikring 40A,Bladsikring	
10	145 1449 000	3	TIE CABLE 3.6x140 BLACK	
11B	9098297000	1	Lader (Indbygget) 24V 13A	
12	9097209000	1	Switch Electromagnetic 24V	
13B	33023195	3	WASHER PLAIN M5 ISO7089 10 PCS SET	
14B	145 6132 000	3	INSERT M5	
15	909 6622 000	1	Relæ 24V 40A	
16B	1466964000	1	SCREW M5X20 PAN HD ISO7045 10 PCS SET	
17	1467035000	2	HOLDER FUSE THERMOPL.UL 94-V0 SIP	
18	9100000173	1	CARD ELECTRONIC TRACTION KIT	

## Part Notes:

- [1] - COMPLEXITY REDUCTION  
 [2] - contains all Hardware shown in this system



# Accessory: Battery charger

SCRUBTEC 651 BCL ALT

2015.05.19

2016.10.27

---

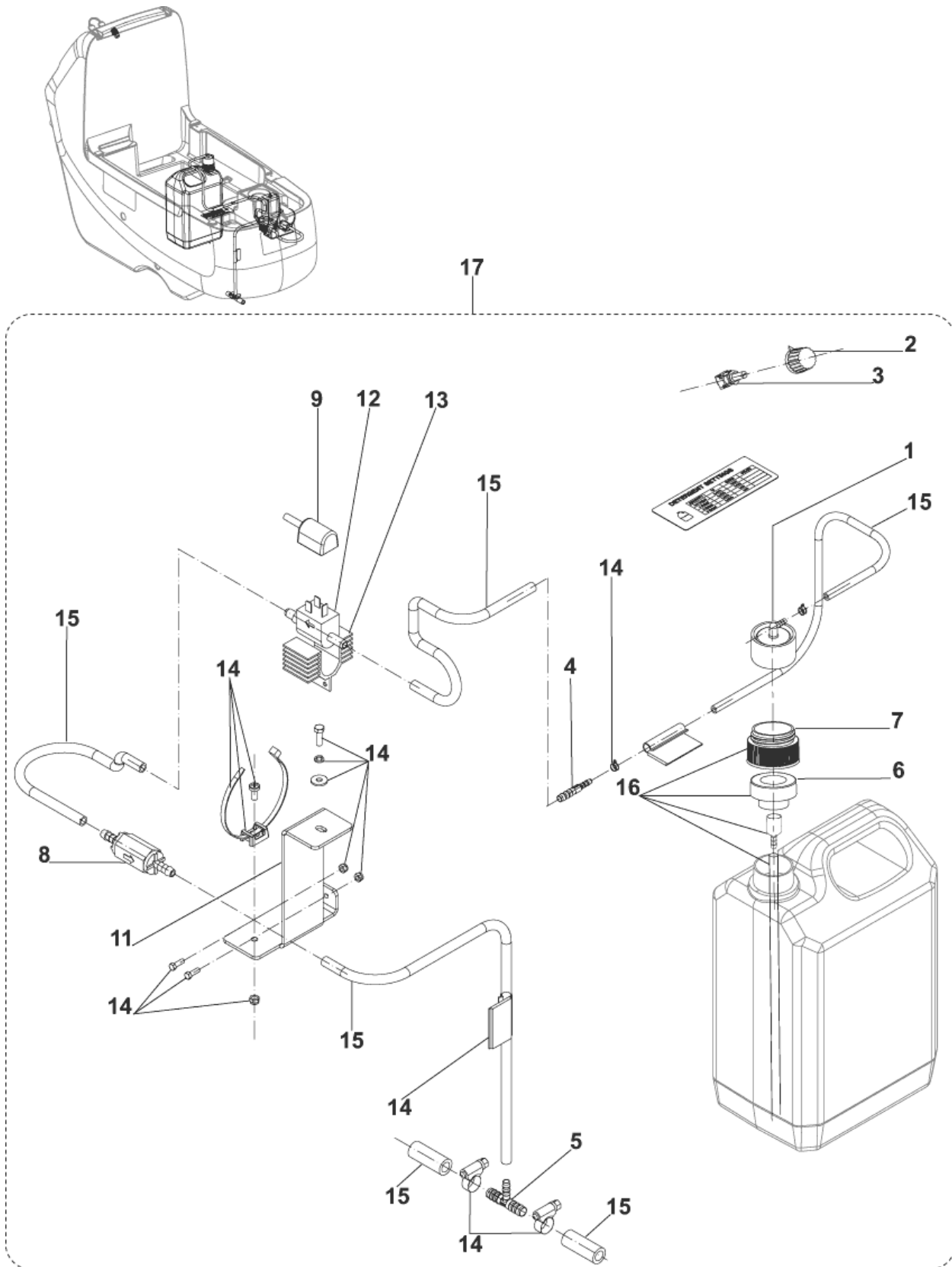
Pos.	Vare-nr	Antal	Beskrivelse	Notes
1	909 6739 000	1	Indbygget oplader kit	[1]

## Part Notes:

[1] - use ES15909 8297 000

SEE INST. INSTR. 909 6746 000





Pos.	Vare-nr	Antal	Beskrivelse	Notes
00	9097041000	1	HARNESS CHEMICAL PUMP	
1	56315523	1	Låg Ecoflex Beholder Lille	
2	145 4719 000	1	Knop For Potentiometer	
3	909 6076 000	1	Potentiometer	
4	909 6090 000	1	HOLDER RUBBER STRAIGHT	
5	909 6092 000	1	HOLDER RUBBER T	
6	9097022000	1	Niveauføler	
7	9097023000	1	Adapter For Reng. Tank	
8	9097030000	1	VALVE ONE-WAY 1/4	
9	9097041000	1	HARNESS CHEMICAL PUMP	
11	9097084000	1	BRACKET PUMP SUPPORT	
12	53721A	1	Kemipumpe	
13	61772A	1	BRACKET CHEMICAL PUMP	
14	9098495000	1	HARDWARE CHEMICAL MIXING SYSTEM KIT	
15	9097175000	1	HOSES CHEMICAL MIX KIT	
16	9098025000	1	Detergent adapter kit	
17	9097160000	1	Sæbe-mix-system	[1]

## Part Notes:

[1] - SEE INST. INSTR. 9097159000

Resource notes:

POSITION 35-36: 909 6484 000 - 909 6483 000 included in the KIT 909 6860 000 POSITION 44-45: L08603830 - L08603832 included in the KIT 9097499000

Pos.	Vare-nr	Antal	Beskrivelse	Notes
1	9098265000	1	Mont.Sæt F. Rentvandstank	[1]
2	909 6874 000	1	Cable Tank Kit	[1]
3	909 6521 000	1	Slange For Rent Vand	[1]
4	33023302	2	CAP BLACK SIP	[1]
5	9099853000	1	HOSE SQUEEGEE VACUUM BLACK KIT	[1]
6	9100001892	1	HOSE DRAIN L.1480MM 90 BLACK PKD	[1]
7	9100000818	2	CAGE FLOAT HALF 2 PCS SET	[1]
8	9100000817	1	BALL FLOATING PKD	[1]
9	9100001875	1	SUPPORT FLOAT KIT	[1]
10	9100001348	3	CLAMP 14/32-52 10 PCS SET	[1]
11	9099401000	1	Motor Vacuum Kit	[1]
12	909 5371 000	1	Kul, Sugemotor 410/343	[1]
13	909 6491 000	1	Panel Acoustic Insulation	[1]
14	9096918000	1	Gasket. Vacuum Motor	[1]
15	909 6672 000	1	Filter	[1]
16	909 6876 000	1	Hardware Cage Sup.Fix.Kit	[2]
17	909 6877 000	1	Hardware Motor Fixing Kit	[1]
18	909 6880 000	1	Castorhjul Kit	[3]
19	909 6880 000	1	Castorhjul Kit	[4]
20	909 6878 000	1	Hardware Chas. Fixing Kit	[1]
21	909 6548 000	1	Køremotor 200W 24V Ba450/551/611	[3]
22	145 5124 000	2	Kul F. Aw 455 Børstemotor	[3]
23	9099691000	1	WHEELS KIT	[3]
24	9097085000	2	WHEEL FRONT D.250 BLUE	[4]
25	9097043000	1	Potentiometer Scrubtex 661Bd	[3]
26	9098330000	1	HARDWARE HANDLE SYSTEM KIT	[1]
27	9097154000	1	Filter Complete Kit	[1]
28	9097171000	1	HOSES SOLENOID VALVE KIT	[1]
29	909 6555 000	1	Solenoid Valve 24V	[1]
30	9098777000	1	Vinkel	[1]
31	909 6055 000	1	Holder For Sugegummi	[5]
32	909 6044 000	1	"Sugefod 30"" Kun Metaldel "	[5]
33	9097637000	1	Monteringskrue (2 Stk)	[1]
34	9100000791	1	KNOB M8X30 THD STUD SS PKD	[5]
37	909 6851 000	1	Sugefod, komplet	[5]
38	909 6882 000	1	Skinnekit	[5]
39	909 6883 000	1	Hjul For Squeegerkit	[5]
40	909 6884 000	1	Påkørsels-hjul, Kit	[5]
41	909 6885 000	1	Squeeger Justeringskit Ba451-551	[5]
42	909 6394 000	1	Latch Squeegee Kit	[5]
43	909 5372 000	1	"Sugefod Kit 33"" Komplet "	[6]
46	9100000962	1	SQUEEGEE SS 840MM/33 SIP	[6]
47	9097078000	1	DECK BRUSH BLACK 530 MM	[7]
48	9098376000	1	CARBON BRUSHES KIT 4 PCS	[7]
49	9098308000	1	Gearmotor 450W 24V	[7]
50	909 6355 000	2	Roller Bumper Kit	[7]
51	9100000868	1	VIBRATION DAMPING M8 60SH 2 PCS SET	[7]
52	9099419000	1	Justeringssæt F. Børste	[7]
53	909 5637 000	1	Gas Fjeder	[8]
54	9097025000	1	Decal Control Panel	[1]
55	9100001354	1	SWITCH KEY WITH CAP PKD	[1]
56	9100000176	1	Print	[1]
57	9100000878	1	FUSE BLADE 3A SIP	[1]
58	909 6678 000	1	FUSE 20A GLASS DELAYED	[1]
59	9100000173	1	CARD ELECTRONIC TRACTION KIT	[3]
60	9100002117	1	CONNECTOR RED 120A PKD	[1]
61	9097209000	1	Switch Electromagnetic 24V	[1]
62	909 6622 000	1	Relæ 24V 40A	[1]
63	145 3824 000	1	Sikring 40A,Bladsikring	[1]

---

Pos.	Vare-nr	Antal	Beskrivelse	Notes
64	145 8513 000	1	Sikring 30A	[1]
65	9098297000	1	Lader (Indbygget) 24V 13A	[9]

## Part Notes:

- [1] - SCRUBTEC 653B-653BL-651BCL-661BL
- [2] - SCRUBTEC 653B-653BL-651BCL-661BL

due to ODM/ECN 2810 should have been considered valid for all

Machine configurations which were using it ONLY Before Serial Number 081813772 (Beginning of May 2008).  
GUARANTEE DATE EXPIRED

- [3] - SCRUBTEC 653BL-651BCL-661BL
- [4] - SCRUBTEC 653B
- [5] - SCRUBTEC 653B-653BL-651BCL
- [6] - SCRUBTEC 661BL
- [7] - SCRUBTEC 653B-653BL
- [8] - SCRUBTEC 653BL
- [9] - ALL SCRUBTEC W/BATTERY CHARGER ON BOARD



Pos.	Vare-nr	Antal	Beskrivelse	Notes
1	909 5065 000	1	Anti-skumfilter	[1]
2	9098947000	1	Bløde drejehjul	[1]
3	9100001353	1	FILTER SOLUTION TANK PKD	[1]
4	9097160000	1	Sæbe-mix-system	[1]
5	9097175000	1	HOSES CHEMICAL MIX KIT	[1]
6	9097181000	1	DECK BRUSH 530MM/21 KIT W.SQU.	[2]
7	L08837025	1	Børste Prolene 21" Ø530 mm	[3]
8	L08837026	1	Børste Prolite 21" Ø530 mm	[3]
9	L08837027	1	Børste naturhår 21" Ø530 mm	[3]
10	L08837028	1	Børste Midlite Grit 180 21" Ø530 mm	[3]
11	L08837029	1	Børste Clean Grit 21" Ø530 mm	[3]
12	L08837065	1	Børste Magna Grit 46 21" Ø530 mm	[3]
13	L08837066	1	Børste Dyna Grit 80 21" Ø530 mm	[3]
14	L08837067	1	Børste Aglite Grit 500 21" Ø530 mm	[3]
15	L08837018	1	Rondelholder 21" Ø530 mm	[3]
16	909 6849 000	1	DECK BRUSH 510MM/20 CYL KIT	[4]
17	909 5823 000	2	Cylinderbørste polypropylen 510 mm 0,4	[4]
18	909 5824 000	2	Cylinderbørste polypropylen 510 mm 0,45	[4]
19	909 5825 000	2	Cylinderbørste polypropylen 510 mm 0,6	[4]
20	9097183000	1	DECK BRUSH 610MM/24 KIT W.SQU.	[5]
21	L08603842	2	Børste Prolene 12" Ø305 mm	[5]
22	L08603873	2	Børste Mid Grit 180 12" Ø305 mm	[5]
23	L08603872	2	Børste Midlite Grit 240 12" Ø305 mm	[5]
24	L08603874	2	Børste Prolite 12" Ø305 mm	[5]
25	L08603875	2	Børste Union Mix 12" Ø305 mm	[5]
26	9099670000	2	Rondelholder 12" Ø305 mm Velcro	[5]
27	L08603878	1	Squeegee Komp.Ba450/530	[6]
28	909 6851 000	1	Sugefod, komplet	[6]
29	9100000279	1	Sugegummi kit sværtefri 29" 740 mm	[6]
30	909 6858 000	1	Sugegummi kit polyurethan 29" 740 mm	[6]
31	9098343000	1	Tredje Sugelæbe Kit 451/531 551/611	[1]
32	909 6736 000	1	Stænskørt kit 21" 530 mm	[3]
33	9097186000	1	Ekstra børstetryk kit, 20 kg	[7]
34	9096951000	1	Timetæller kit, 24 V	[1]
35	9097026000	2	Trækjul, olieresistente, Ø300 mm	[8]
36	9097599000	1	Beskyttelsessæt	[9]
37	9098854000	1	Elbow 90. Suct. Hose Kit Black	[10]

Part Notes:

- [1] - SCRUBTEC 653B-653BL-651BCL-661BL
- [2] - SCRUBTEC 653BL
- [3] - SCRUBTEC 653B-653BL
- [4] - SCRUBTEC 651BCL
- [5] - SCRUBTEC 661BL
- [6] - SCRUBTEC 653B-653BL-651BCL
- [7] - SCRUBTEC 653B
- [8] - SCRUBTEC 653BL-651BCL-661BL
- [9] - SCRUBTEC 653B-653BL  
SEE TSB-FC-2015-035
- [10] - TSB IT 2010-061

