

# PARTS LIST

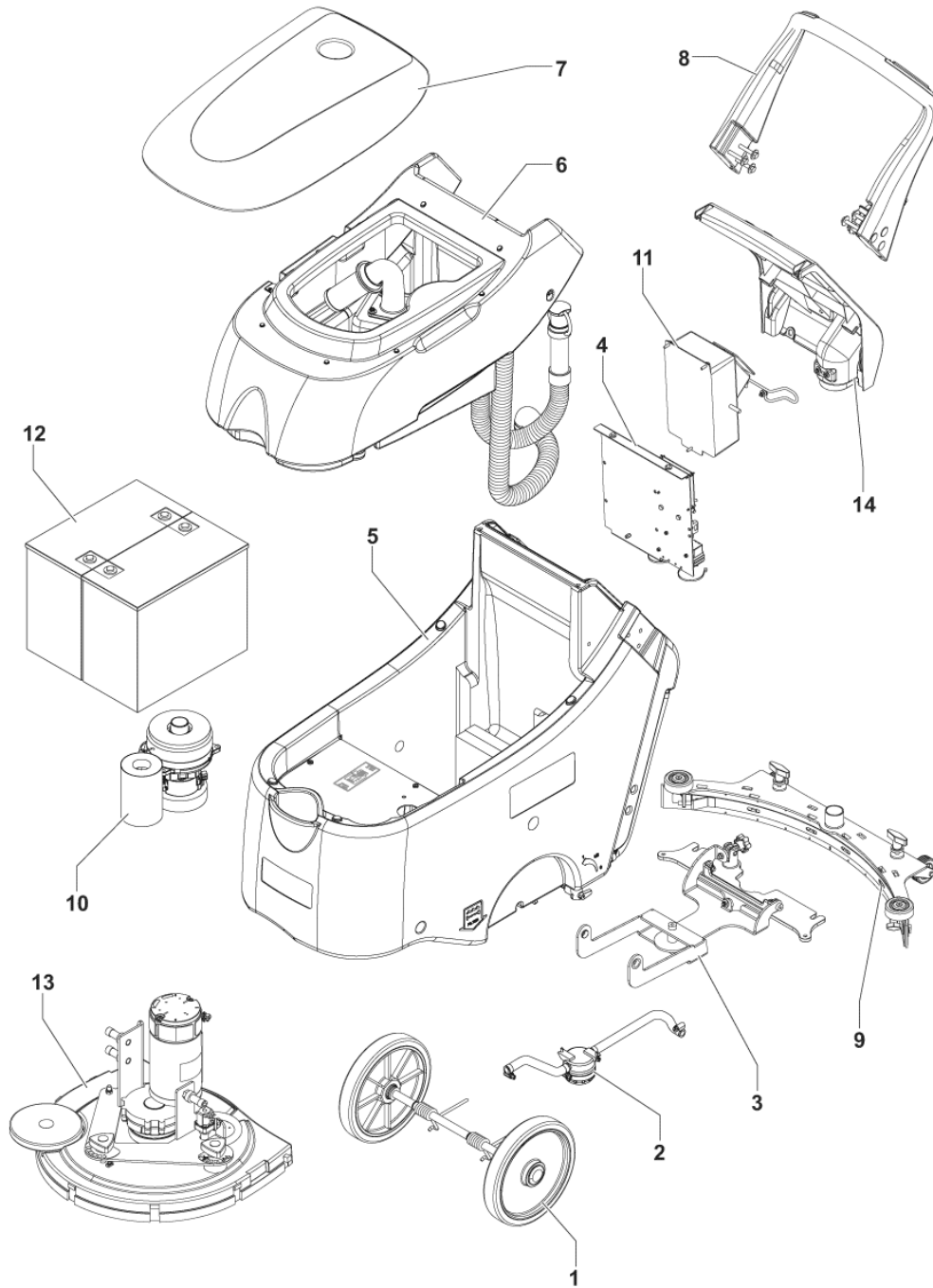


2017.08.03

# TABLE OF CONTENTS

---

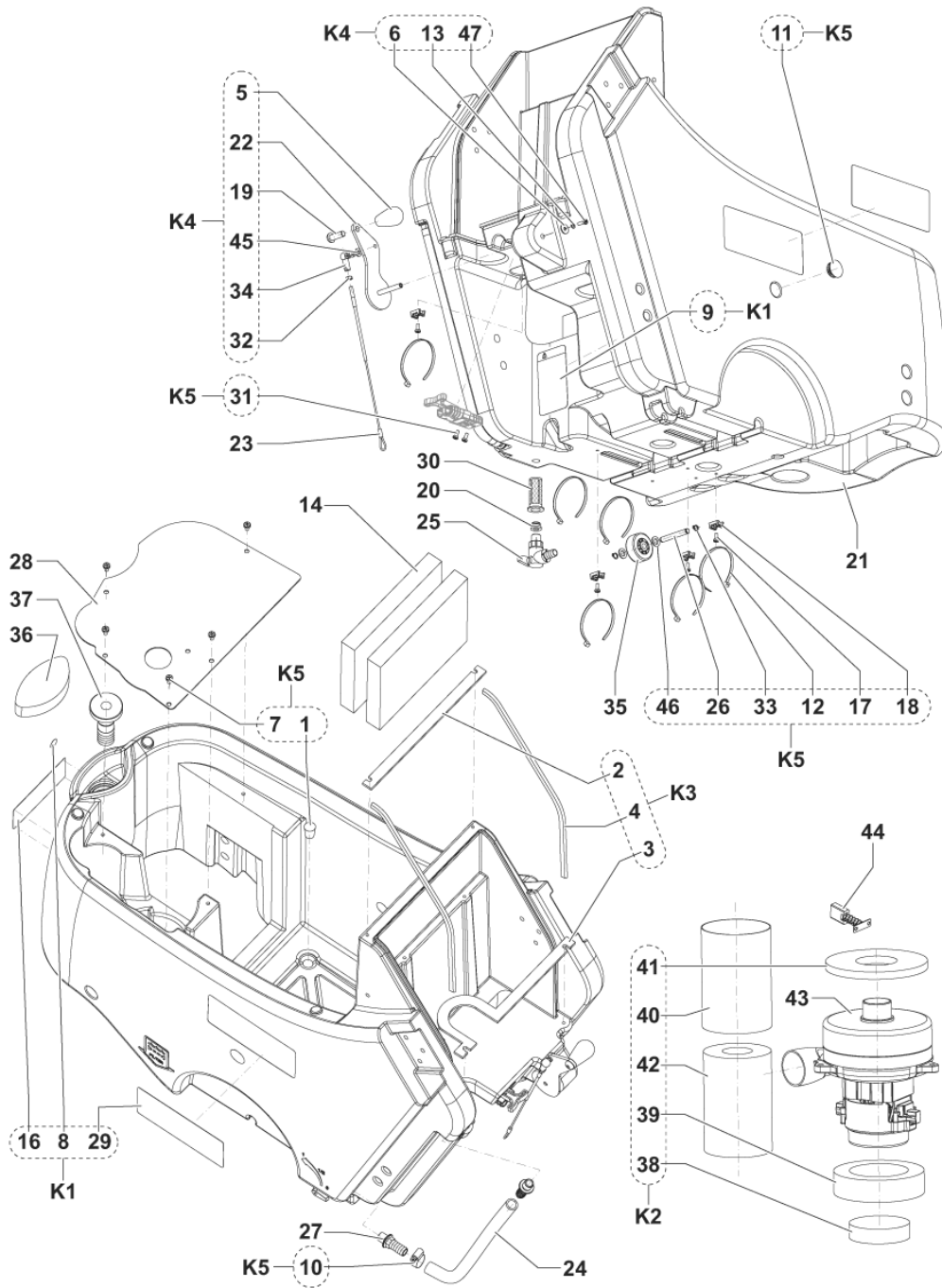
GENERAL SYSTEM.....	1
SOLUTION TANK.....	3
RECOVERY TANK.....	5
HANDLE BAR AND WHEELS.....	7
SOLUTION SYSTEM.....	9
SQUEEGEE SYSTEM.....	11
BRUSH DECK.....	13
CONTROL PANEL.....	15
ELECTRICAL COMPONENTS.....	17
BATTERY CHARGER.....	19
ACCESSORIES.....	21
WIRING DIAGRAM.....	23
RECOMMENDED PARTS.....	25



Pos.	Vare-nr	Antal	Beskrivelse	Notes
1		1	WHEELS ASSEMBLY	[1]
2		1	SOLUTION SYSTEM ASSEMBLY	[2]
3		1	SQUEEGEE HOLDER ASSEMBLY	[3]
4		1	ELECTRONIC BOX ASSEMBLY	[4]
5		1	SOLUTION TANK ASSEMBLY	[5]
6		1	RECOVERY TANK ASSEMBLY	[6]
7		1	COVER TANK ASSEMBLY	[7]
8		1	HANDLE BAR ASSEMBLY	[8]
9		1	SQUEEGEE ASSEMBLY	[3]
10		1	VACUUM ASSEMBLY	[9]
11		1	CHARGER ASSEMBLY	[10]
12	80564400	2	Batteri 12V 105A GEL monoblokBATTERIES	
12	145 6094 000	2	ISOLANT PANEL	
13		1	BRUSH DECK ASSEMBLY	[11]
14		1	CONTROL PANEL ASSEMBLY	[12]

## Part Notes:

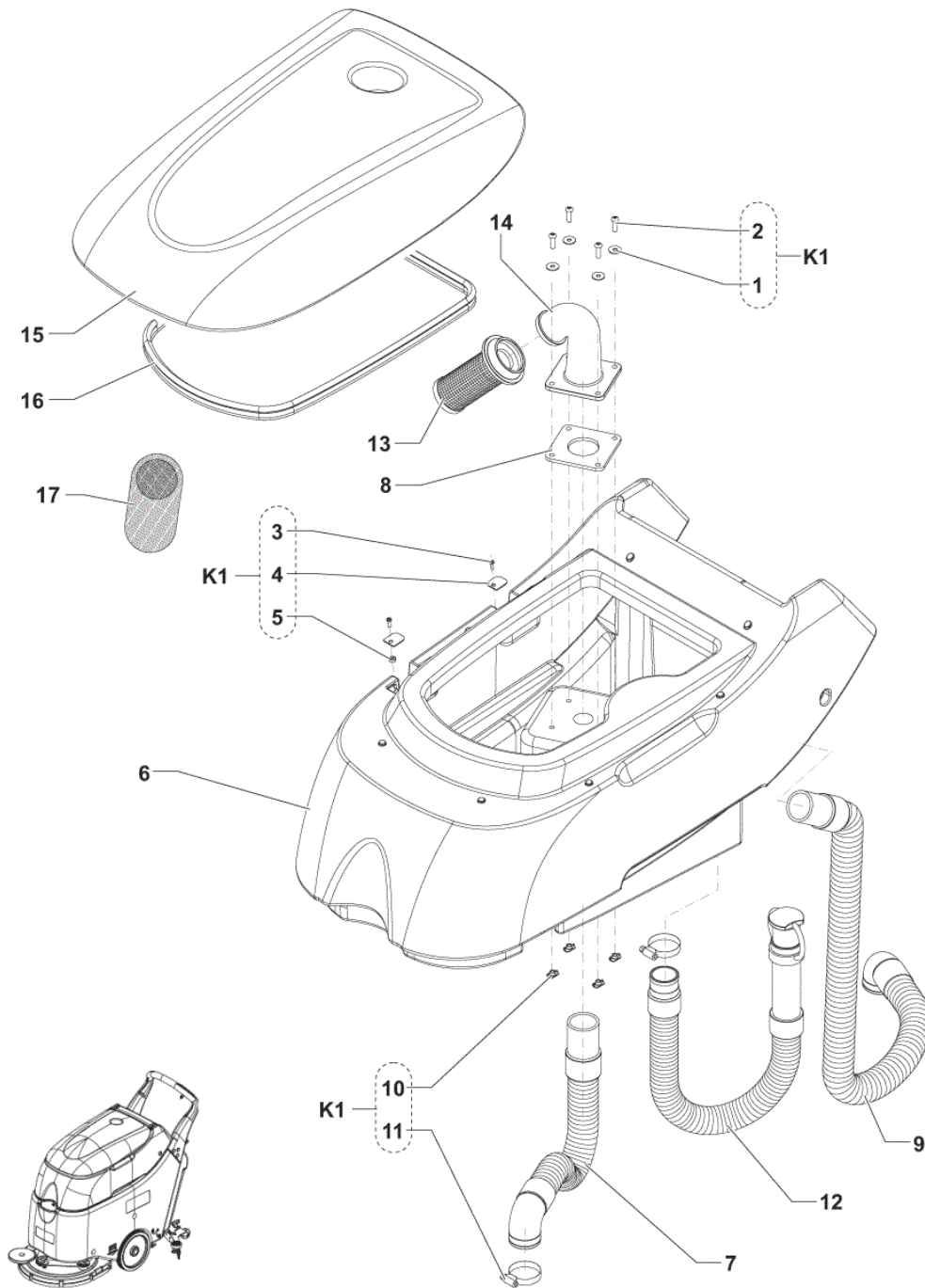
- [1] - WHEELS
- [2] - SOLUTION SYSTEM
- [3] - SQUEEGEE SYSTEM
- [4] - ELECTRICAL COMPONENTS
- [5] - SOLUTION TANK
- [6] - RECOVERY TANK
- [7] - COVER TANK
- [8] - HANDLE BAR
- [9] - VACUUM
- [10] - BATTERY CHARGER
- [11] - BRUSH DECK
- [12] - CONTROL PANEL



Pos.	Vare-nr	Antal	Beskrivelse	Notes
5	909 6621 000	1	Knob	
14	146 0668 000	2	PANEL INSULATING	
20	909 5286 000	1	Pakning BA 410	
21	9100000567	1	TANK SOLUTION BLUE PKD	
23	9099258000	1	CABLE SQUEEGEE LIFTING	
24	9099261000	1	HOSE SOLUTION	
25	9099513000	1	VALVE ELBOW 90. D.13MM	
27	9100001780	2	BARB HOSE STRAIGHT D.16 G3/8 KIT	
28	9100002261	1	PLATE VACUUM MOTOR MET. BLACK SIP	
30	9100001353	1	FILTER SOLUTION TANK PKD	[1]
35	9099953000	1	WHEEL D.50	
36	9099561000	1	SPONGE WATER ENTRANCE	
37	9097290000	1	Påfyldningsslange	[2]
38	909 6672 000	1	Filter	
43	9099922000	1	MOTOR VACUUM 330W 24V KIT	
44	909 5371 000	2	Kul, Sugemotor 410/343	
K1	9100001551	1	DECALS SCRUBTEC 453 KIT	
K1	9100001643	1	DECALS SCRUBTEC 453 ALTO KIT	
K2	9099310000	1	GASKETS VACUUM MOTOR KIT	
K3	9099311000	1	GASKETS KIT	
K4	9100000767	1	LEVER SQUEEGEE LIFTING KIT	
K5	9100000768	1	HARDWARE SOLUTION TANK KIT	

## Part Notes:

- [1] - OPTIONAL  
 [2] - OPTIONAL - SEE TSB-FC-2016-020



# RECOVERY TANK

SCRUBTEC 453 B ALT

2016.10.27

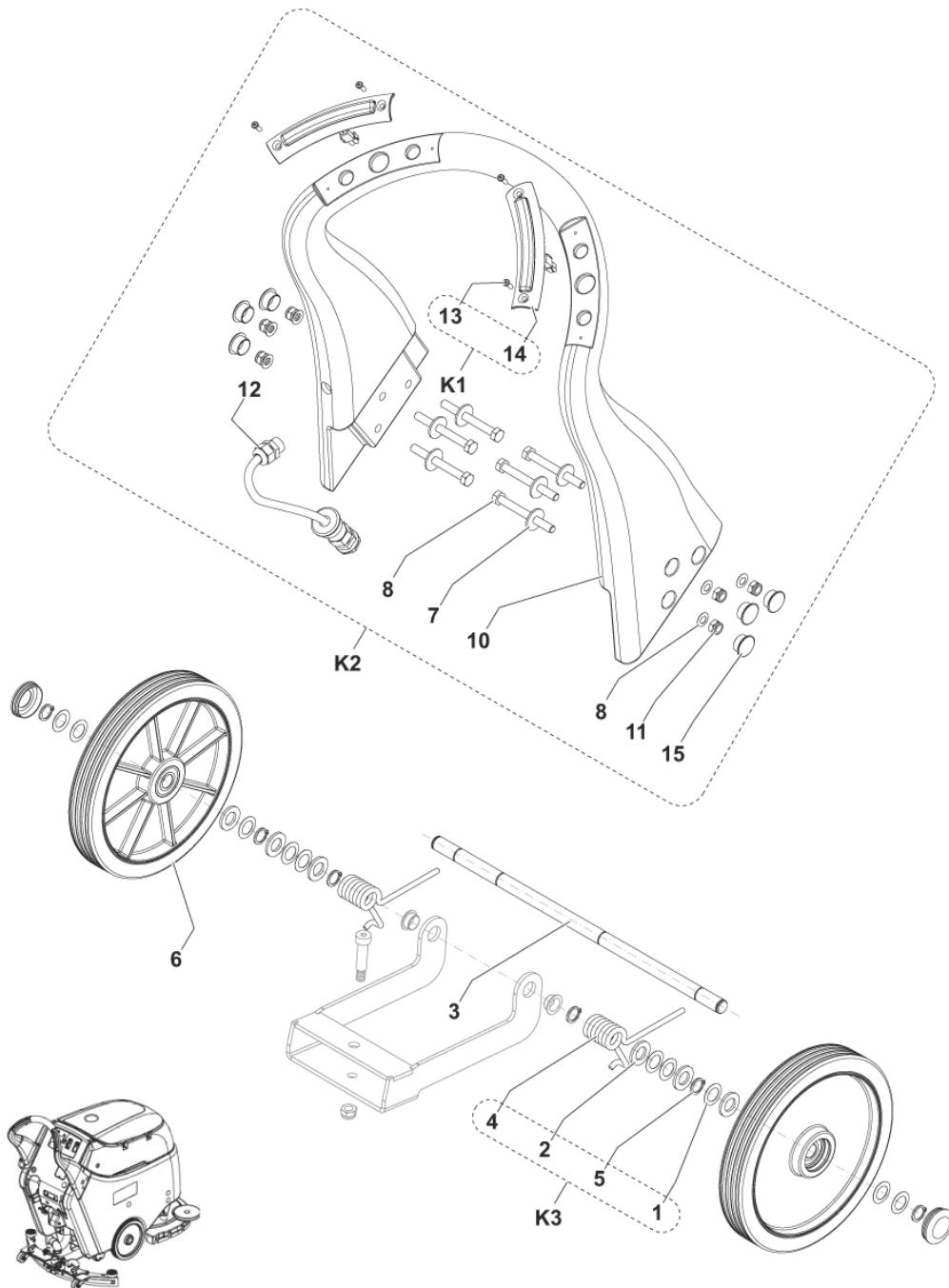
2016.10.27

Pos.	Vare-nr	Antal	Beskrivelse	Notes
6	910000568	1	TANK RECOVERY BLUE PKD	
7	9099255000	1	HOSE VACUUM MOTOR	
8	9100000912	1	GASKET FLOAT CAGE HOLDER SIP	
9	9100000642	1	Sugeslange sort	
12	9099692000	1	AFTAPNINGSSLANGE SORT PKD	
13	9099559000	1	FLOAT SHUT OFF	
14	9099558000	1	ELBOW FLOAT HOLDER	
15	9100000569	1	COVER TANK BLUE PKD	
16	9099342000	1	GASKET BULB RUBBER L.1350MM PKD	
17	909 5065 000	1	Anti-skumfilter	[1]
K1	9099313000	1	HARDWARE RECOVERY TANK KIT	

## Part Notes:

[1] - OPTIONAL





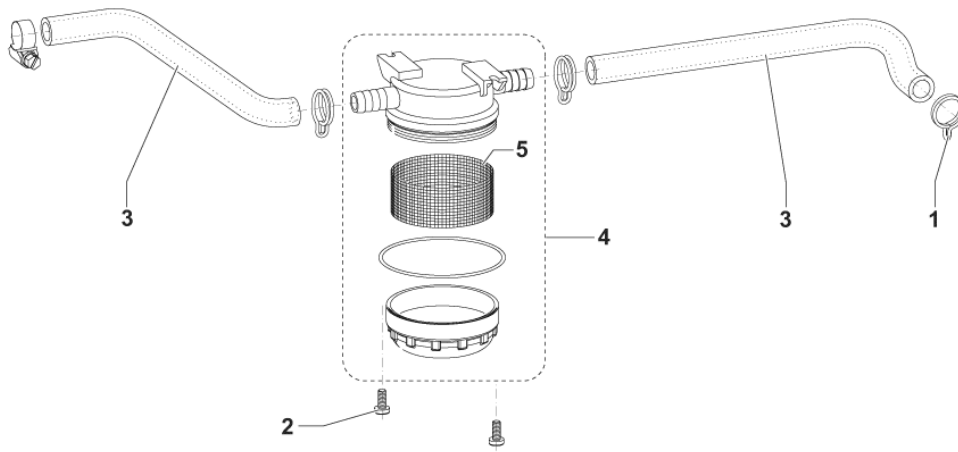
# HANDLE BAR AND WHEELS

SCRUBTEC 453 B ALT

2015.05.19

2016.10.14

<b>Pos.</b>	<b>Vare-nr</b>	<b>Antal</b>	<b>Beskrivelse</b>	<b>Notes</b>
3	9099256000	1	SHAFT WHEELS	
6	9100002138	2	WHEEL D.254X40 KIT	
10	9100000629	1	HANDLE BAR BLUE PKD	
12	9100000565	1	HARNESS HANDLE BAR PKD	
K1	9100000467	1	SWITCHES CPL YELLOW F HANDLE BAR KIT	
K2	9100000426	1	HANDLE BAR BLUE KIT	
K3	9100000566	1	HARDWARE WHEELS KIT	



# SOLUTION SYSTEM

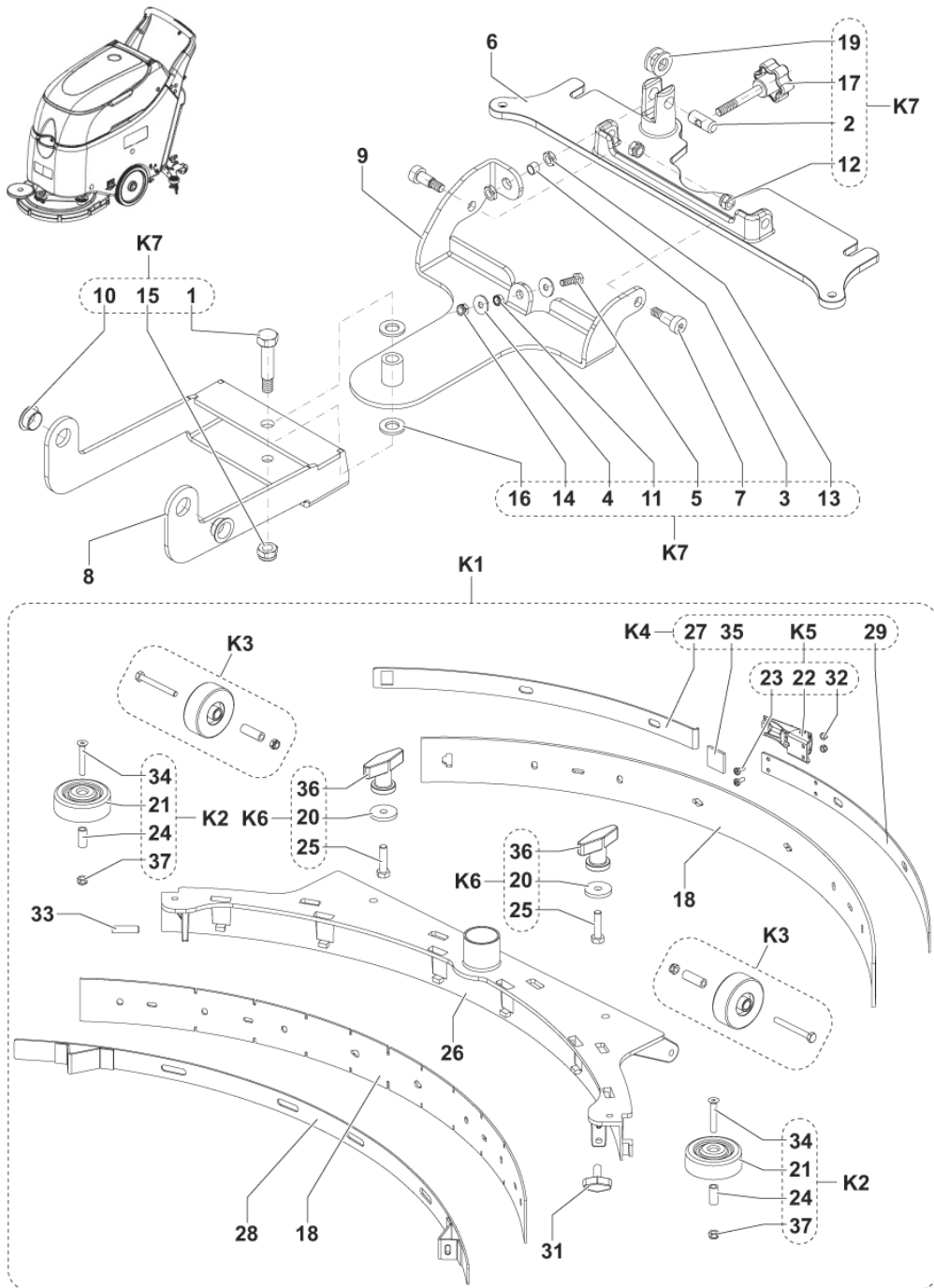
SCRUBTEC 453 B ALT

2015.05.19

2015.07.06

---

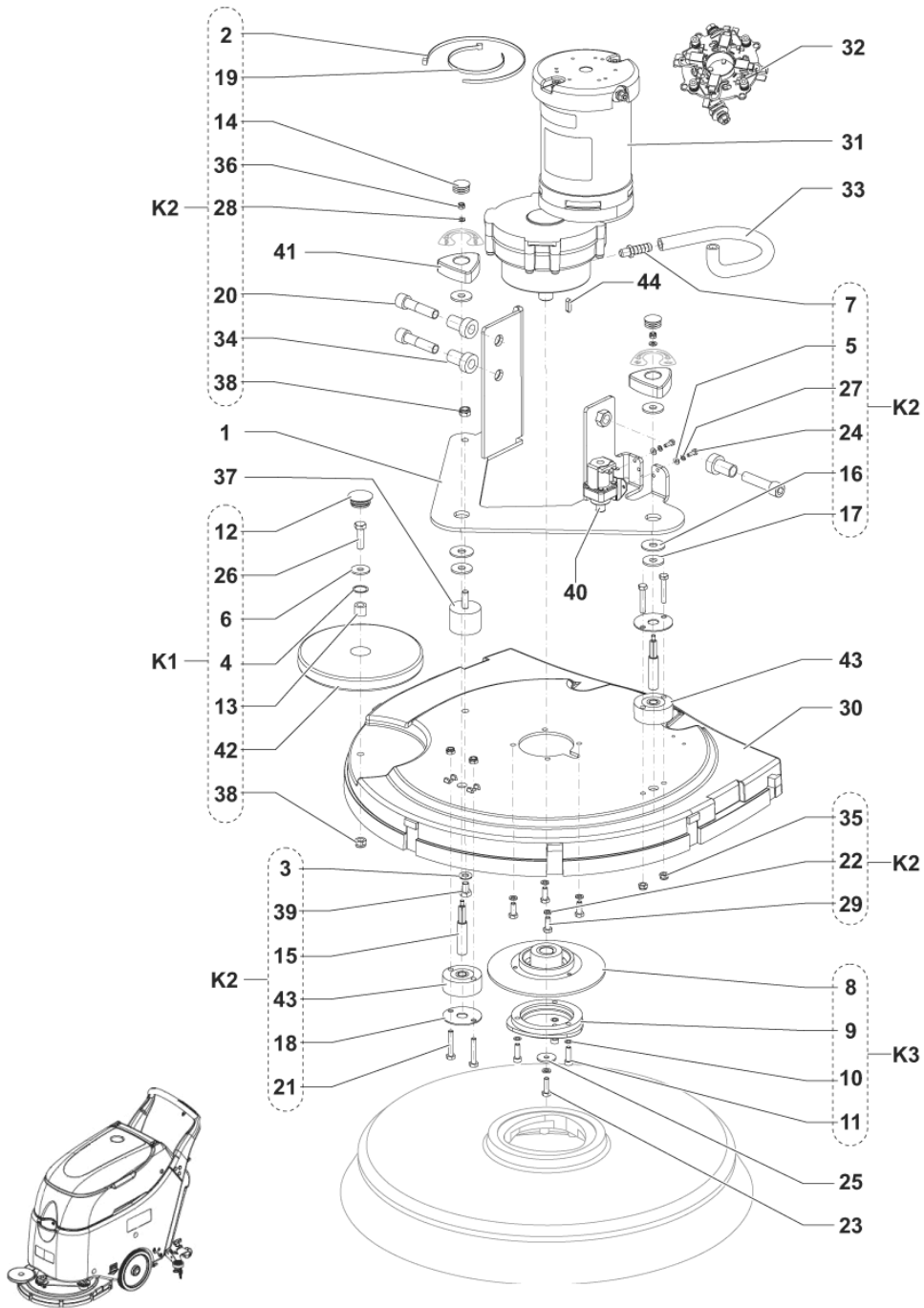
<b>Pos.</b>	<b>Vare-nr</b>	<b>Antal</b>	<b>Beskrivelse</b>	<b>Notes</b>
1	9100000511	4	CLAMPS F SOLUTION SYSTEM KIT	
2	909 5009 000	2	SCREW M5X12 PAN HD PHIL SS ISO7045	
3	9099337000	2	HOSE D.12 KIT	
4	9100000860	1	FILTER WATER PKD	
5	9100000861	1	NET WATER FILTER REINFORCED PKD	



Pos.	Vare-nr	Antal	Beskrivelse	Notes
6	909 6045 000	1	Beslag Til Sugefod	
8	910000509	1	SUPPORT FRONT F SQUEEGEE PKD	
9	910000510	1	SUPPORT REAR F SQUEEGEE PKD	
18	910000279	1	Sugegummi kit sværtefri 29" 740 mm	
18	909 6858 000	1	Sugegummi kit polyurethan 29" 740 mm	[1]
26	909 6044 000	1	"Sugefod 30"" Kun Metaldel "	
28	909 6055 000	1	Holder For Sugegummi	
31	910000791	1	KNOB M8X30 THD STUD SS PKD	
33	909 6600 000	1	SCREW GRUB M8X30 CUP POINT SS ISO4029	
K1	909 6851 000	1	Sugefod, komplet	
K2	909 6884 000	1	Påkørselshjul, Kit	
K3	909 6883 000	1	Hjul For Squeegerkit	
K4	909 6882 000	1	Skinnekit	
K5	909 6394 000	1	Latch Squeegee Kit	
K6	9097637000	1	Monteringskrue (2 Stk)	
K7	9099322000	1	HARDWARE SQUEEGEE SUPPORT KIT	

## Part Notes:

[1] - OPTIONAL

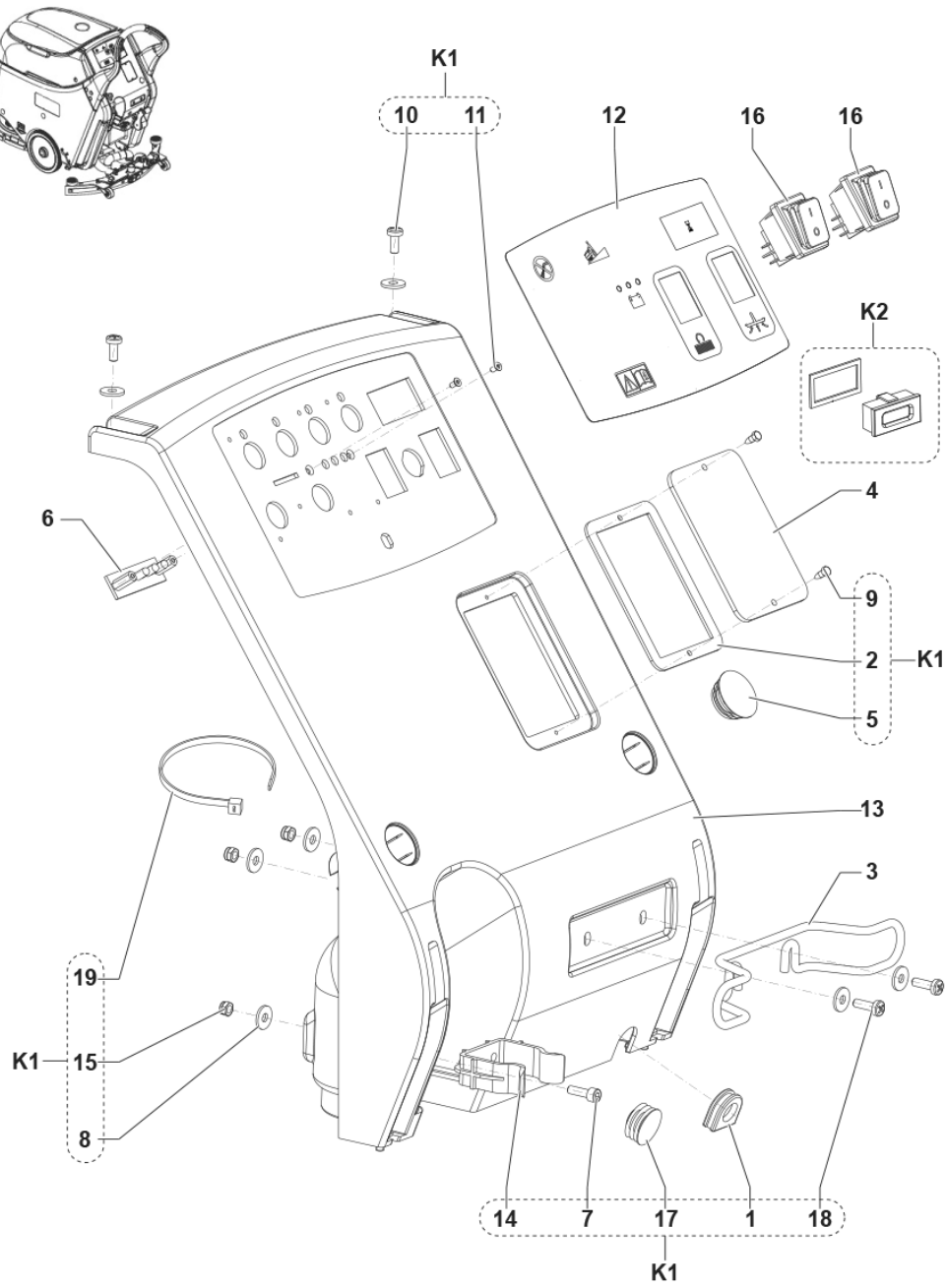


Pos.	Vare-nr	Antal	Beskrivelse	Notes
1	9100000572	1	PLATE BLACK BRUSH DECK HOLDER PKD	
8	L08812306	1	Polyg. Flange Ba450/530	
9	L08812480	1	Polyg. Holder Ba450/530	
30	9097078000	1	DECK BRUSH BLACK 530 MM	
31	9100001279	1	REDUCTION GEARMOTOR 540W 24V KIT	[1]
32	L08603949	1	Kul Kit 4 Stk	[2]
32	9100000421	1	CARBON BRUSHES W/HOLDER KIT	[3]
33	9099341000	1	HOSE POLYESTER REINF. D.10 L.250 KIT	
37	9100000868	1	VIBRATION DAMPING M8 60SH 2 PCS SET	
40	9099563000	1	SOLENOID VALVE 24V	
41	L08812203	2	Knob Ba450/530	
43	L08812213	2	Hjul, Påkørsel Ba450/530	
44	1466147000	1	KEY 5X5X20 UNI6604A PKD	
K1	909 6887 000	1	Stødhjul	
K2	9099326000	1	HARDWARE BRUSH DECK KIT	
K3	L08812589	1	Holder Polyg.W/Flange Kit	

Part Notes:

- [1] - SEE TSB FC 2015-016
- [2] - FOR AMER MOTOR 6913065E
- [3] - STOCK COVERS GUARANTEE  
FOR LEROY SOMER MOTOR GM515200 (4852023) - UP TO S.N. 3510152110640

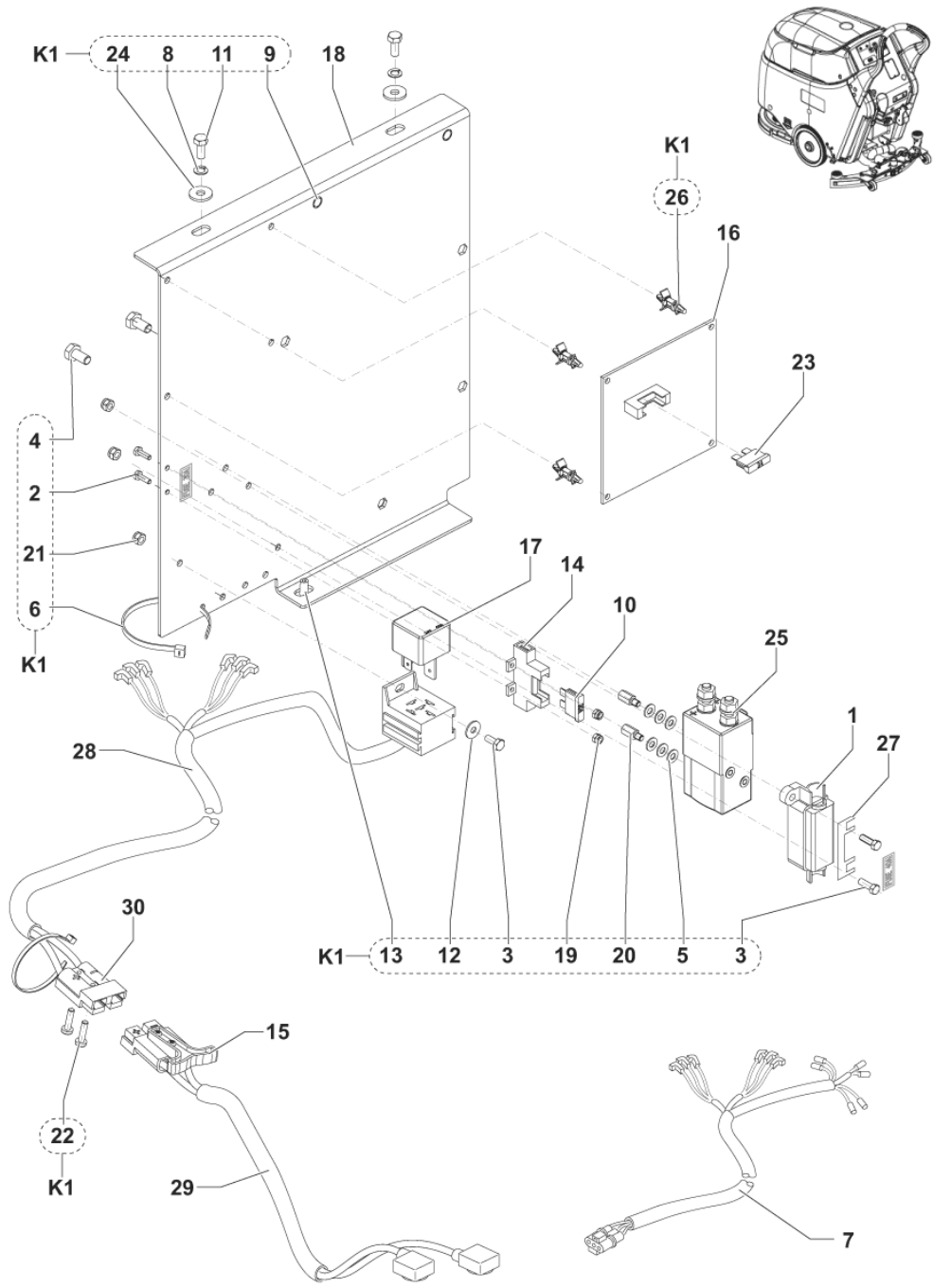




Pos.	Vare-nr	Antal	Beskrivelse	Notes
3	1466317000	1	SUPPORT CABLE KIT	
4	9100001064	1	COVER F INSPECTION PLATE TRANSP. SIP	
6	L08812909	1	Diodebro Ba410	
12	9100000947	1	DECAL CONTROL PANEL PKD	
13	9100000570	1	COVER BLUE F ELECTRIC COMPONENTS PKD	
16	107404540	2	Kontakt (0-1)	
K1	9099327000	1	HARDWARE CONTROL PANEL BA KIT	
K2	9096951000	1	Timetæller kit, 24 V	[1]
K3	9100000949	1	Timetæller kit	[2]

## Part Notes:

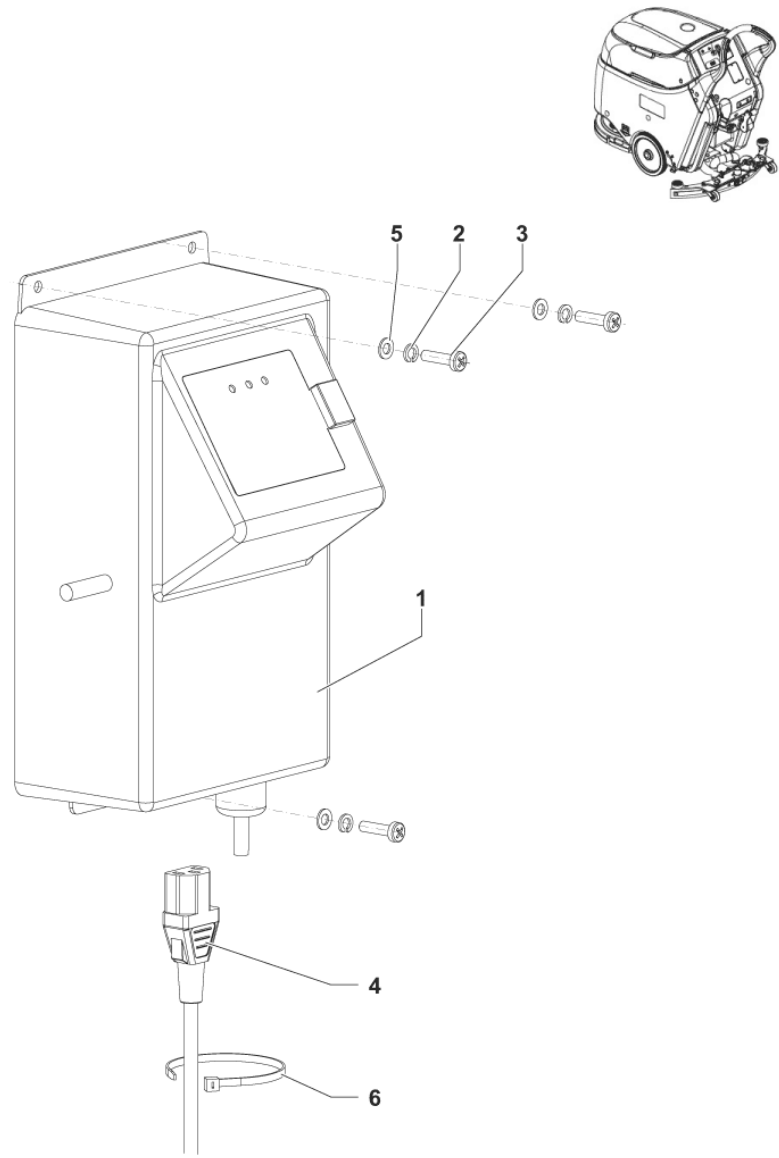
- [1] - SEE INST INSTR. 9096952000  
SEE TSB-FC-2015-049
- [2] - NOT SHOWN - SEEINST. INSTR. 9100000950



Pos.	Vare-nr	Antal	Beskrivelse	Notes
1	145 8046 000	1	Säkeringshållare	
7	9099268000	1	HARNESS MACHINE	
10	145 8513 000	1	Sikring 30A	
14	1467035000	1	HOLDER FUSE THERMOPL.UL 94-V0 SIP	
15	9100000885	1	HANDLE F BATTERY CONNECTOR SIP	
16	9099967000	1	CARD ELECTRONIC KIT	
17	909 6622 000	1	Relæ 24V 40A	
18	909 6498 000	1	SUPPORT ELECTRIC COMP.	[1]
23	145 9852 000	1	Sikring 5A	
25	146 0719 000	1	Relæ, Ba410	
27	145 3824 000	1	Sikring 40A,Bladsikring	
27	9100000778	1	FUSE STRIP 30A KIT	[2]
28	9100001196	1	HARNESS ELECTRIC COMPONENTS BOX SIP	
29	9100001953	1	HARNESS BATTERY KIT	
30	9100002248	2	CONNECTOR 50A RED SIP	
K1	9099328000	1	HARDWARE ELECTRIC COMP. KIT	

## Part Notes:

- [1] - COMPLEXITY REDUCTION  
 [2] - SEE INST. INSTR. 9100000777



# BATTERY CHARGER

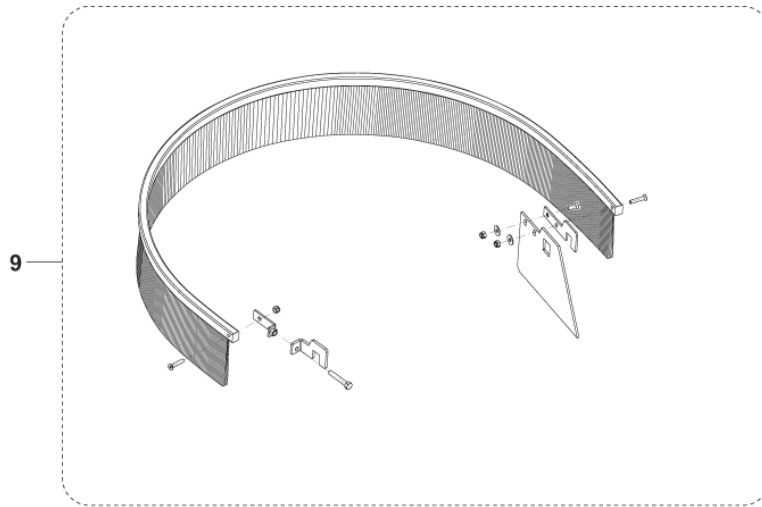
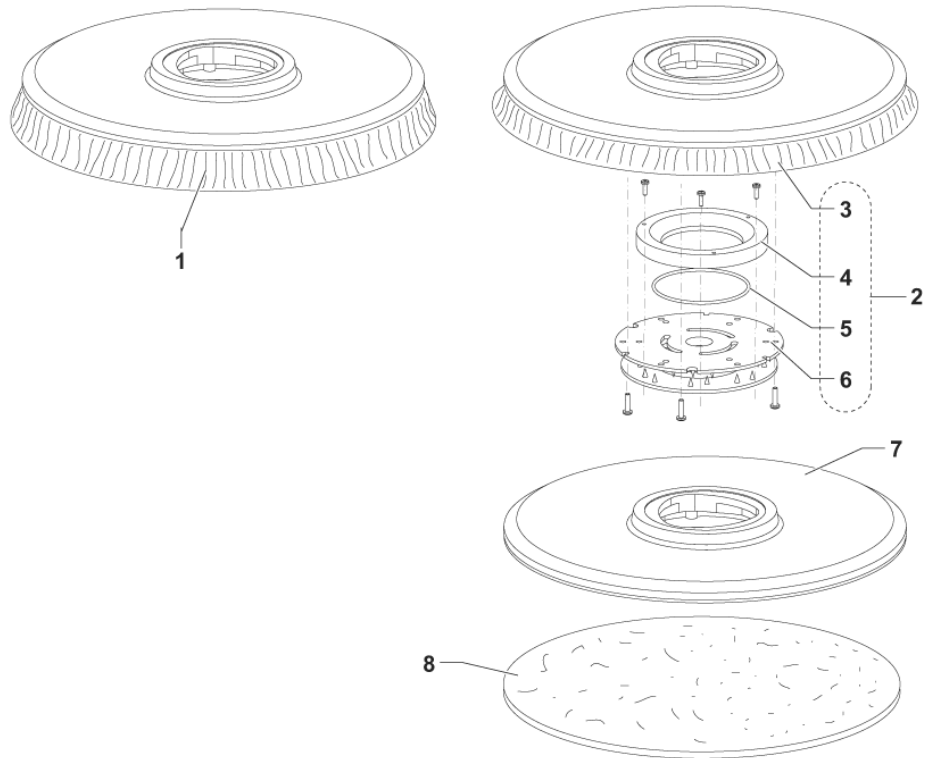
SCRUBTEC 453 B ALT

2015.05.19

2016.10.27

---

Pos.	Vare-nr	Antal	Beskrivelse	Notes
1	9098297000	1	Lader (Indbygget) 24V 13A	
4	9100000790	1	CABLE EXTENSION EU PLUG L.1000MM PKD	
4	1466318000	1	CABLE EXTENSION UK PLUG L.2000MM SIP	

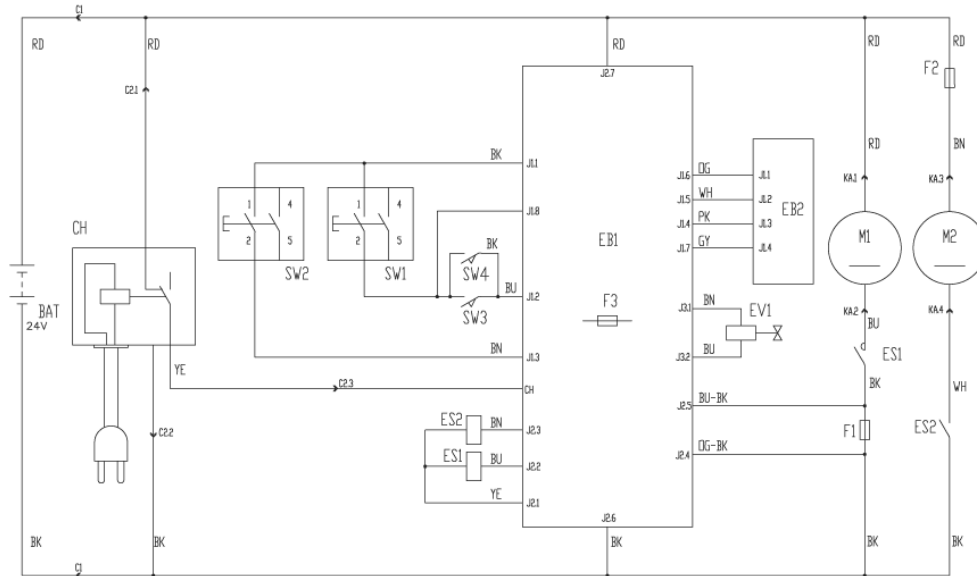


Pos.	Vare-nr	Antal	Beskrivelse	Notes
1	L08837025	1	Børste Prolene 21" Ø530 mm	[1]
1	L08837026	1	Børste Prolite 21" Ø530 mm	[1]
1	L08837027	1	Børste naturhår 21" Ø530 mm	[2]
1	L08837028	1	Børste Midlite Grit 180 21" Ø530 mm	[2]
1	L08837029	1	Børste Clean Grit 21" Ø530 mm	[2]
1	L08837065	1	Børste Magna Grit 46 21" Ø530 mm	[2]
1	L08837066	1	Børste Dyna Grit 80 21" Ø530 mm	[2]
1	L08837067	1	Børste Aglite Grit 500 21" Ø530 mm	[2]
4	L08603966	1	Ring Nylon	
5	L08603965	1	O-RING 2.62X82.22 -3325-NBR 40SH	
6	56505195	1	Rondellås Lynkobling	
7	9099671000	1	Rondelholder 20" Ø508 mm Velcro	[2]
7	L08837018	1	Rondelholder 21" Ø530 mm	[2]
8	10001955	1	Eco Pad sort 20" Ø508 mm (5 stk.)	[2]
8	10001956	1	Eco Pad blå 20" Ø508 mm (5 stk.)	[2]
8	10001957	1	Eco Pad brun 20" Ø508 mm (5 stk.)	[2]
8	10001958	1	Eco Pad grøn 20" Ø508 mm (5 stk.)	[2]
8	10001959	1	Eco Pad rød 20" Ø508 mm (5 stk.)	[2]
8	10001960	1	Eco Pad hvid 20" Ø508 mm (5 stk.)	[2]
8	10002348	1	Eco Brilliance Pad rød 20" Ø500 (2 stk)	[2]
8	10002349	1	Eco Brilliance Pad blå 20" Ø500 (2 stk)	[2]
8	10002350	1	Eco Brilliance Pad gul 20" Ø500 (2 stk)	[2]
8	10002351	1	Eco Brilliance Pad grøn 20" Ø500 (2stk)	[2]
9	909 6736 000	1	Stænkskørt kit 21" 530 mm	[3]

## Part Notes:

- [1] - OPTIONAL
- [2] - OPTION
- [3] - OPTION - SEE INST. INSTR. 909 6745 000





Pos.	Vare-nr	Antal	Beskrivelse	Notes
BAT				
C1	9100002248		CONNECTOR 50A RED SIP	
C2				
CH	9098297000		Lader (Indbygget) 24V 13A	
EB1	9099967000		CARD ELECTRONIC KIT	
EB2	L08812909		Diodebro Ba410	
ES1	146 0719 000		Relæ, Ba410	
ES2	909 6622 000		Relæ 24V 40A	
EV1	9099563000		SOLENOID VALVE 24V	
F1	145 3824 000		Sikring 40A,Bladsikring	
F2	145 8513 000		Sikring 30A	
F3	145 9852 000		Sikring 5A	
M1	9100001279		REDUCTION GEARMOTOR 540W 24V KIT	
M2	9099922000		MOTOR VACUUM 330W 24V KIT	
SW1	107404540		Kontakt (0-1)	
SW2	107404540		Kontakt (0-1)	
SW3-4	9100000467		SWITCHES CPL YELLOW F HANDLE BAR KIT	

# RECOMMENDED PARTS

SCRUBTEC 453 B ALT

2015.05.19

2017.03.02

---

# RECOMMENDED PARTS

SCRUBTEC 453 B ALT

2015.05.19

2017.03.02

Pos.	Vare-nr	Antal	Beskrivelse	Notes
N W	909 5371 000	1	Kul, Sugemotor 410/343	
N W	9100000279	1	Sugegummi kit sværtefri 29" 740 mm	
N W	L08837025	1	Børste Prolene 21" Ø530 mm	
N W	9100000421	1	CARBON BRUSHES W/HOLDER KIT	[1]
N W	909 6736 000	1	Stænskørt kit 21" 530 mm	
O M	9099258000	1	CABLE SQUEEGEE LIFTING	
O M	9099953000	1	WHEEL D.50	
O M	9099922000	1	MOTOR VACUUM 330W 24V KIT	
O M	9099255000	1	HOSE VACUUM MOTOR	
O M	9100000642	1	Sugeslange sort	
O M	9099692000	1	AFTAPNINGSSLANGE SORT PKD	
O M	9099342000	1	GASKET BULB RUBBER L.1350MM PKD	
O M	9100002138	2	WHEEL D.254X40 KIT	
O M	9100000860	1	FILTER WATER PKD	
O M	9100000861	1	NET WATER FILTER REINFORCED PKD	
O M	9100001279	1	REDUCTION GEARMOTOR 540W 24V KIT	
O M	9099563000	1	SOLENOID VALVE 24V	
O M	9100000868	1	VIBRATION DAMPING M8 60SH 2 PCS SET	
O M	9099671000	1	Rondelholder 20" Ø508 mm Velcro	
O M	9099310000	1	GASKETS VACUUM MOTOR KIT	
O M	9099311000	1	GASKETS KIT	
O M	9099513000	1	VALVE ELBOW 90. D.13MM	
E O M	9100000467	1	SWITCHES CPL YELLOW F HANDLE BAR KIT	
E O M	9100000947	1	DECAL CONTROL PANEL PKD	
E O M	107404540	2	Kontakt (0-1)	
E O M	145 8513 000	1	Sikring 30A	
E O M	9099967000	1	CARD ELECTRONIC KIT	
E O M	909 6622 000	1	Relæ 24V 40A	
E O M	146 0719 000	1	Relæ, Ba410	
E O M	145 3824 000	1	Sikring 40A,Bladsikring	
E O M	9100001196	1	HARNESS ELECTRIC COMPONENTS BOX SIP	
E O M	9100002248	2	CONNECTOR 50A RED SIP	
E O M	9099268000	1	HARNESS MACHINE	
E O M	145 9852 000	1	Sikring 5A	
E O M	9098297000	1	Lader (Indbygget) 24V 13A	
E O M	909 6887 000	1	Stødhjul	

## Part Notes:

[1] - STOCK COVERS GUARANTEE

