

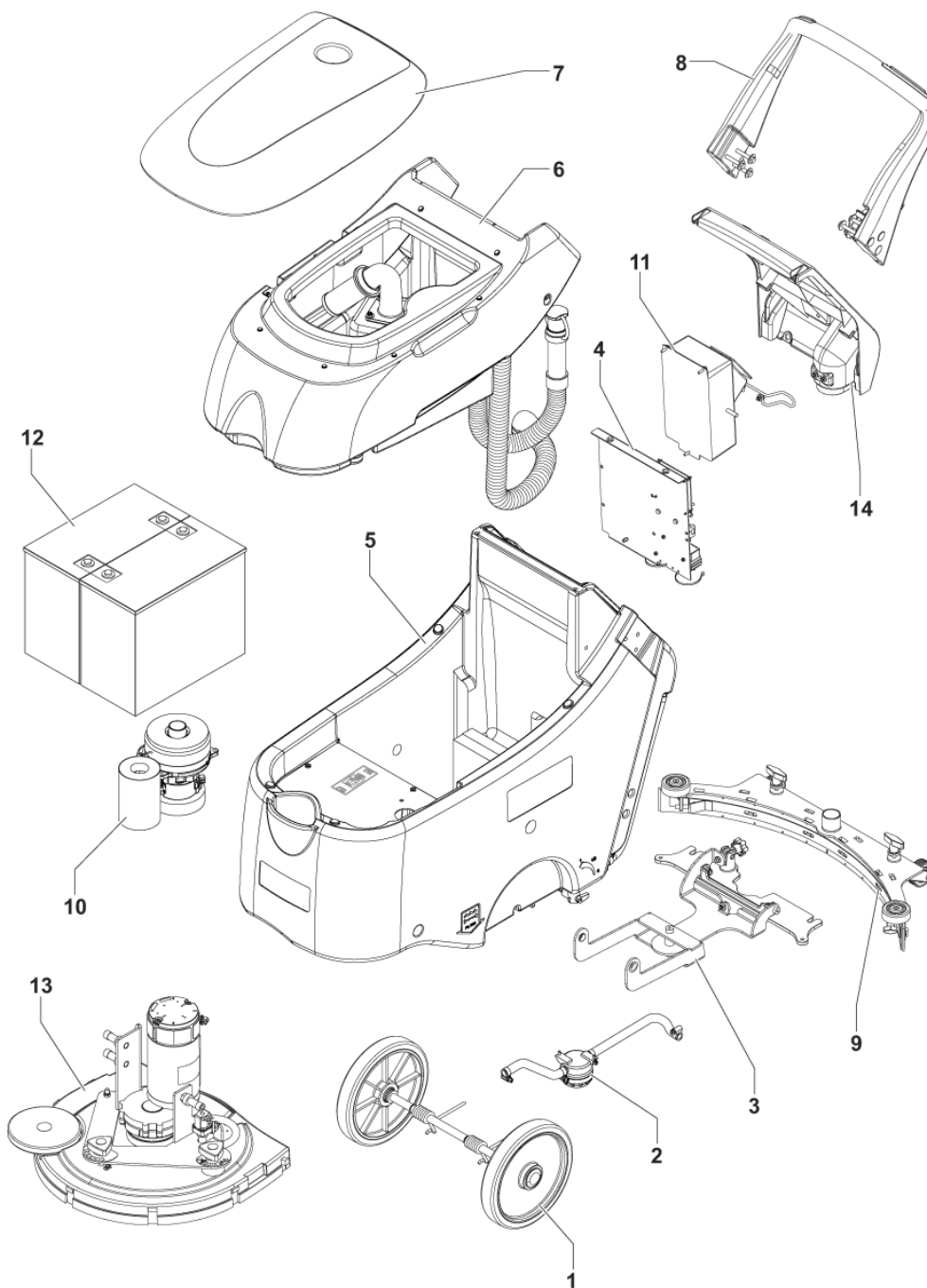
PARTS LIST



2017.08.03

TABLE OF CONTENTS

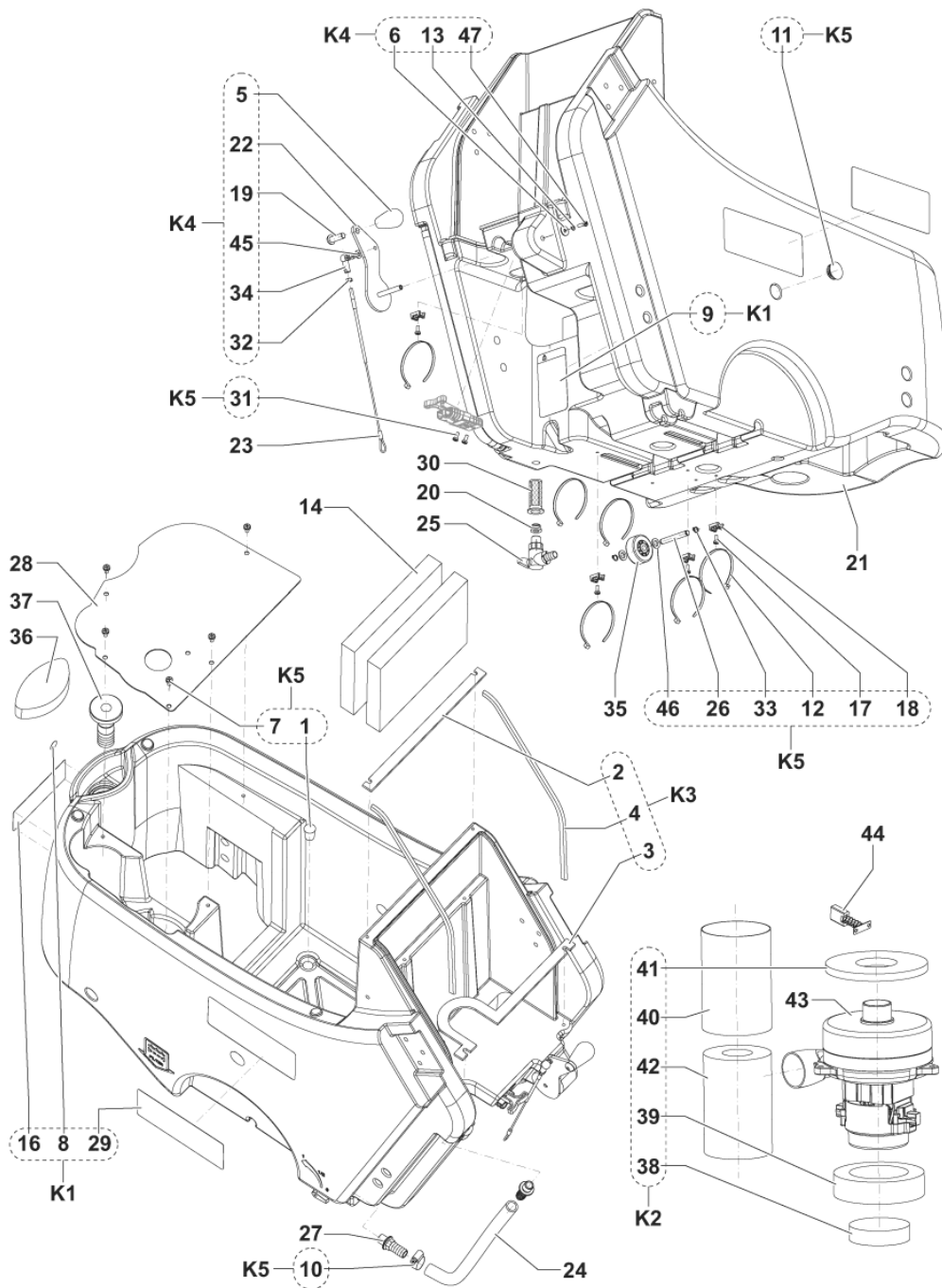
GENERAL SYSTEM.....	1
SOLUTION TANK.....	3
RECOVERY TANK.....	5
HANDLE BAR AND WHEELS.....	7
SOLUTION SYSTEM.....	9
SQUEEGEE SYSTEM.....	11
BRUSH DECK.....	13
CONTROL PANEL.....	15
ELECTRICAL COMPONENTS.....	17
ACCESSORIES.....	19
ACCESSORIES.....	21
WIRING DIAGRAM.....	23
RECOMMENDED PARTS.....	25



Pos.	Vare-nr	Antal	Beskrivelse	Notes
1		1	WHEELS ASSEMBLY	[1]
2		1	SOLUTION SYSTEM ASSEMBLY	[2]
3		1	SQUEEGEE HOLDER ASSEMBLY	[3]
4		1	ELECTRONIC BOX ASSEMBLY	[4]
5		1	SOLUTION TANK ASSEMBLY	[5]
6		1	RECOVERY TANK ASSEMBLY	[6]
7		1	COVER TANK ASSEMBLY	[7]
8		1	HANDLE BAR ASSEMBLY	[8]
9		1	SQUEEGEE ASSEMBLY	[3]
10		1	VACUUM ASSEMBLY	[9]
11		1	CHARGER ASSEMBLY	[10]
12	80564400	2	Batteri 12V 105A GEL monoblokBATTERIES	
12	145 6094 000	2	ISOLANT PANEL	
13		1	BRUSH DECK ASSEMBLY	[11]
14		1	CONTROL PANEL ASSEMBLY	[12]

Part Notes:

- [1] - WHEELS
- [2] - SOLUTION SYSTEM
- [3] - SQUEEGEE SYSTEM
- [4] - ELECTRICAL COMPONENTS
- [5] - SOLUTION TANK
- [6] - RECOVERY TANK
- [7] - COVERTANK
- [8] - HANDLE BAR
- [9] - VACUUM
- [10] - OPTION
- [11] - BRUSH DECK
- [12] - CONTROL PANEL



SOLUTION TANK

SC450 53B NIL

2015.05.19

2017.03.20

Pos.	Vare-nr	Antal	Beskrivelse	Notes
5	909 6621 000	1	Knob	
14	146 0668 000	2	PANEL INSULATING	
20	909 5286 000	1	Pakning BA 410	
21	9099251000	1	TANK SOLUTION	
23	9099258000	1	CABLE SQUEEGEE LIFTING	
24	9099261000	1	HOSE SOLUTION	
25	9099513000	1	VALVE ELBOW 90. D.13MM	
27	9100001780	2	BARB HOSE STRAIGHT D.16 G3/8 KIT	
28	9100002261	1	PLATE VACUUM MOTOR MET. BLACK SIP	
30	9100001353	1	FILTER SOLUTION TANK PKD	[1]
35	9099953000	1	WHEEL D.50	[2]
36	9099561000	1	SPONGE WATER ENTRANCE	
37	9097290000	1	Påfyldningsslange	[3]
38	909 6672 000	1	Filter	
43	9099922000	1	MOTOR VACUUM 330W 24V KIT	
44	909 5371 000	2	Kul, Sugemotor 410/343	
K1	9099856000	1	DECALS SC450 ADV KIT	
K1	9099309000	1	DECALS SC450 NIL KIT	
K2	9099310000	1	GASKETS VACUUM MOTOR KIT	
K3	9099311000	1	GASKETS KIT	
K4	9100000767	1	LEVER SQUEEGEE LIFTING KIT	
K5	9100000768	1	HARDWARE SOLUTION TANK KIT	

Part Notes:

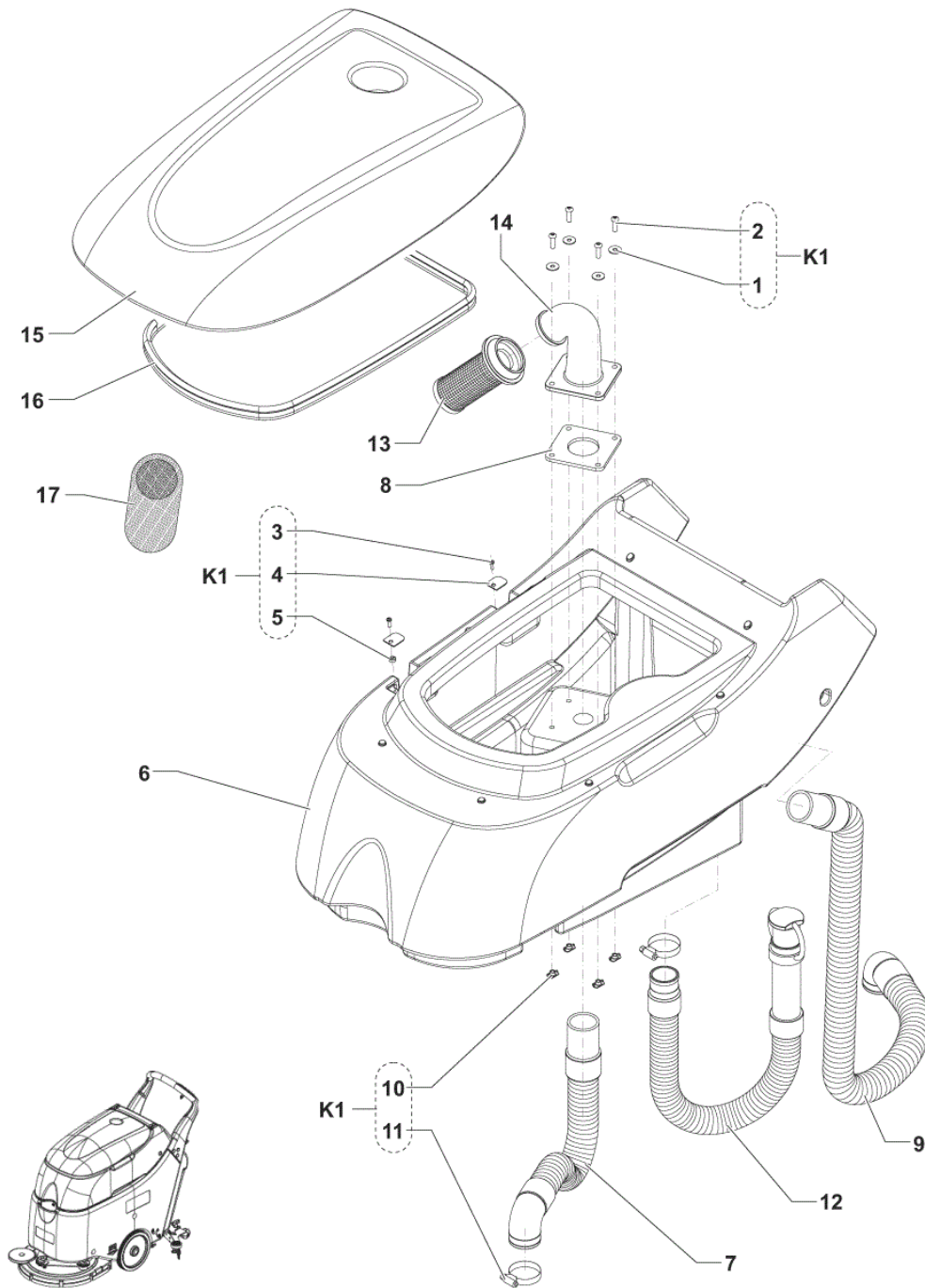
- [1] - OPTIONAL
- [2] - starting from serial number 3510124805613
- [3] - OPTIONAL - SEE TSB-FC-2016-020

RECOVERY TANK

SC450 53B NIL

2016.10.27

2016.10.27



RECOVERY TANK

SC450 53B NIL

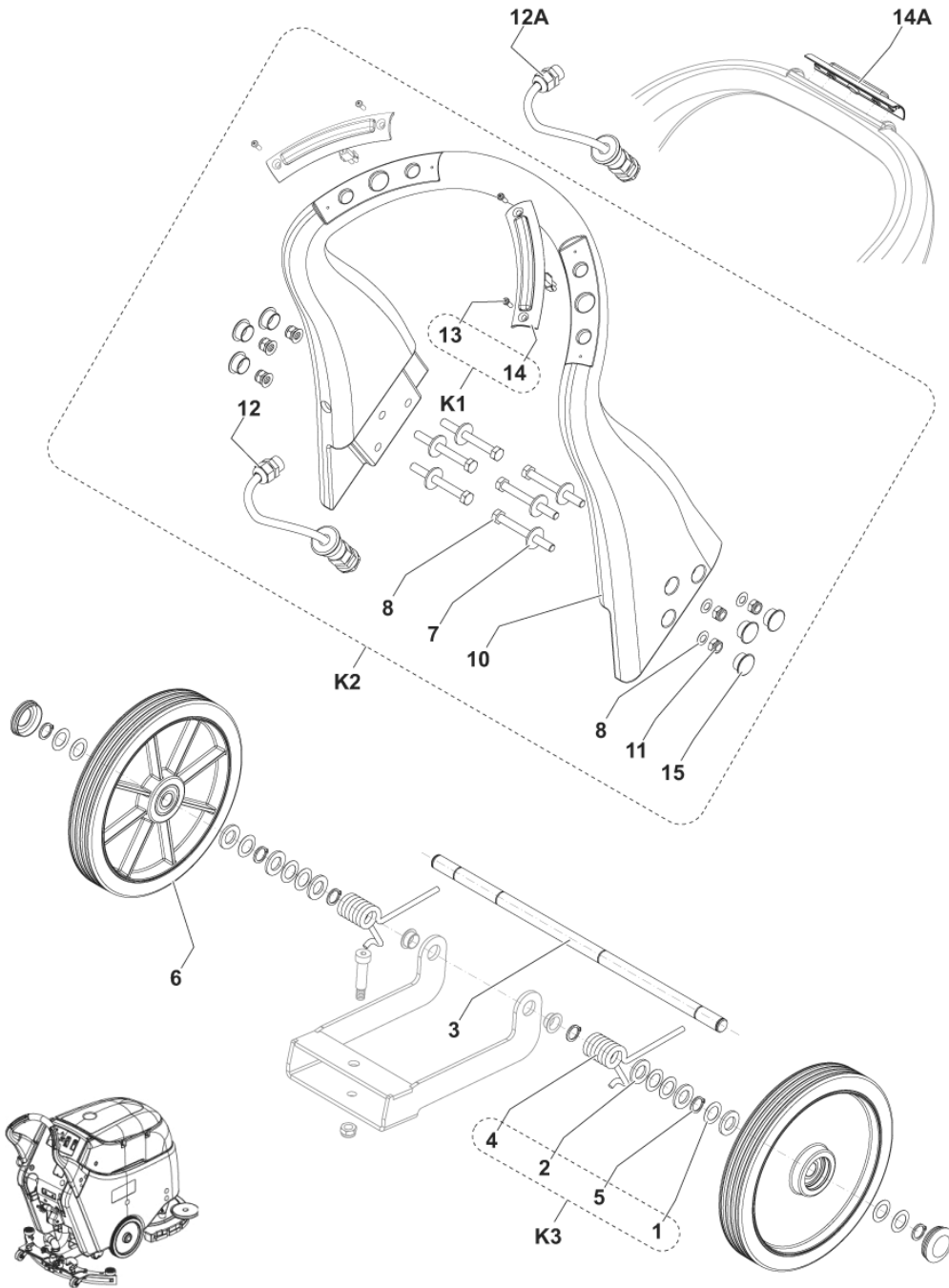
2016.10.27

2016.10.27

Pos.	Vare-nr	Antal	Beskrivelse	Notes
6	9099252000	1	TANK RECOVERY	
7	9099255000	1	HOSE VACUUM MOTOR	
8	9100000912	1	GASKET FLOAT CAGE HOLDER SIP	
9	9100000642	1	Sugeslange sort	
12	9099692000	1	AFTAPNINGSSLANGE SORT PKD	
13	9099559000	1	FLOAT SHUT OFF	
14	9099558000	1	ELBOW FLOAT HOLDER	
15	9099253000	1	COVER TANK	
16	9099342000	1	GASKET BULB RUBBER L.1350MM PKD	
17	909 5065 000	1	Anti-skumfilter	[1]
18	9100000339	2	CAP RUBBER BLACK	[2]
K1	9099313000	1	HARDWARE RECOVERY TANK KIT	

Part Notes:

- [1] - OPTIONAL
- [2] - NOT SHOWN



HANDLE BAR AND WHEELS

SC450 53B NIL

2015.05.19

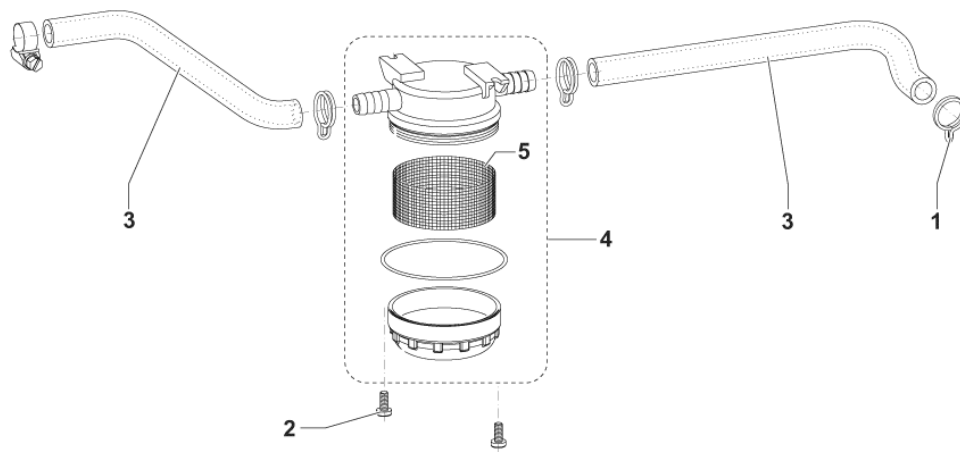
2017.03.07

Pos.	Vare-nr	Antal	Beskrivelse	Notes
3	9099256000	1	SHAFT WHEELS	
6	9100002138	2	WHEEL D.254X40 KIT	
10	9100000564	1	HANDLE BAR GREY PKD	
12	9100000565	1	HARNESS HANDLE BAR PKD	
12A	9099286000	1	CABLE HANDLE BAR US	[1]
12A	9099285000	1	HARNESS HANDLE BAR	[2]
14A	11178A	1	SWITCH HANDLE ASSY	[3]
K1	9100000466	1	SWITCHES CPL BLACK F HANDLE BAR KIT	
K2	9100000425	1	HANDLE BAR GREY KIT	[4]
K3	9100000566	1	HARDWARE WHEELS KIT	
K4	9099315000	1	HARDWARE HANDLE BAR AND WHEELS KIT	[5]

Part Notes:

- [1] - STOCK COVERS GUARANTEE
Only for US machines
- [2] - STOCK COVERS GUARANTEE

FOR OLD HANDLE BAR EU MODEL WITH ONE SWITCH
- [3] - FOR OLD HANDLE BAR MODEL WITH ONE SWITCH
- [4] - SEE INST. INSTR. 9100000465
- [5] - NOT SHOWN - valid only for SC450 code 9087330020, 9087332020



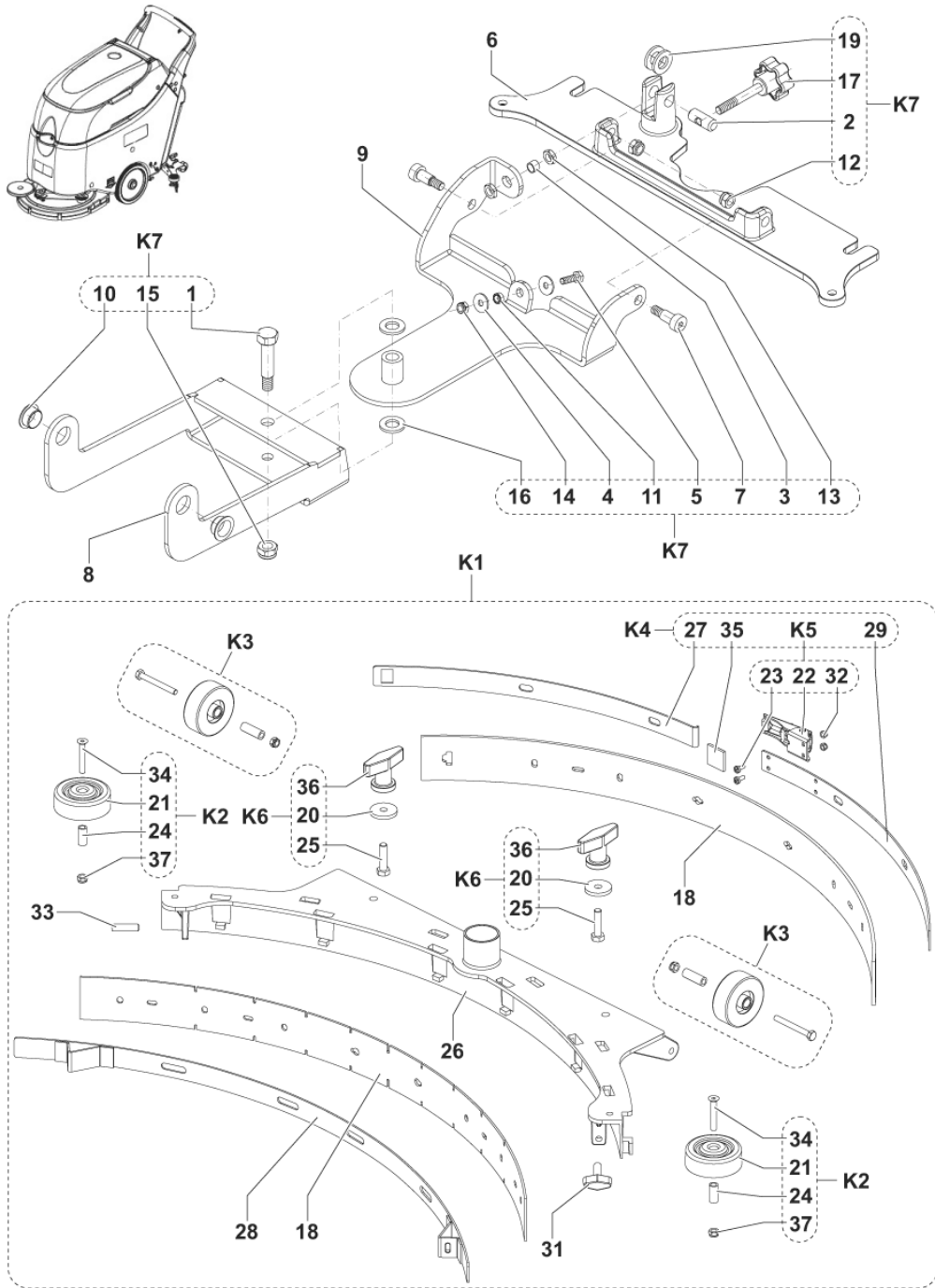
SOLUTION SYSTEM

SC450 53B NIL

2015.05.19

2015.07.06

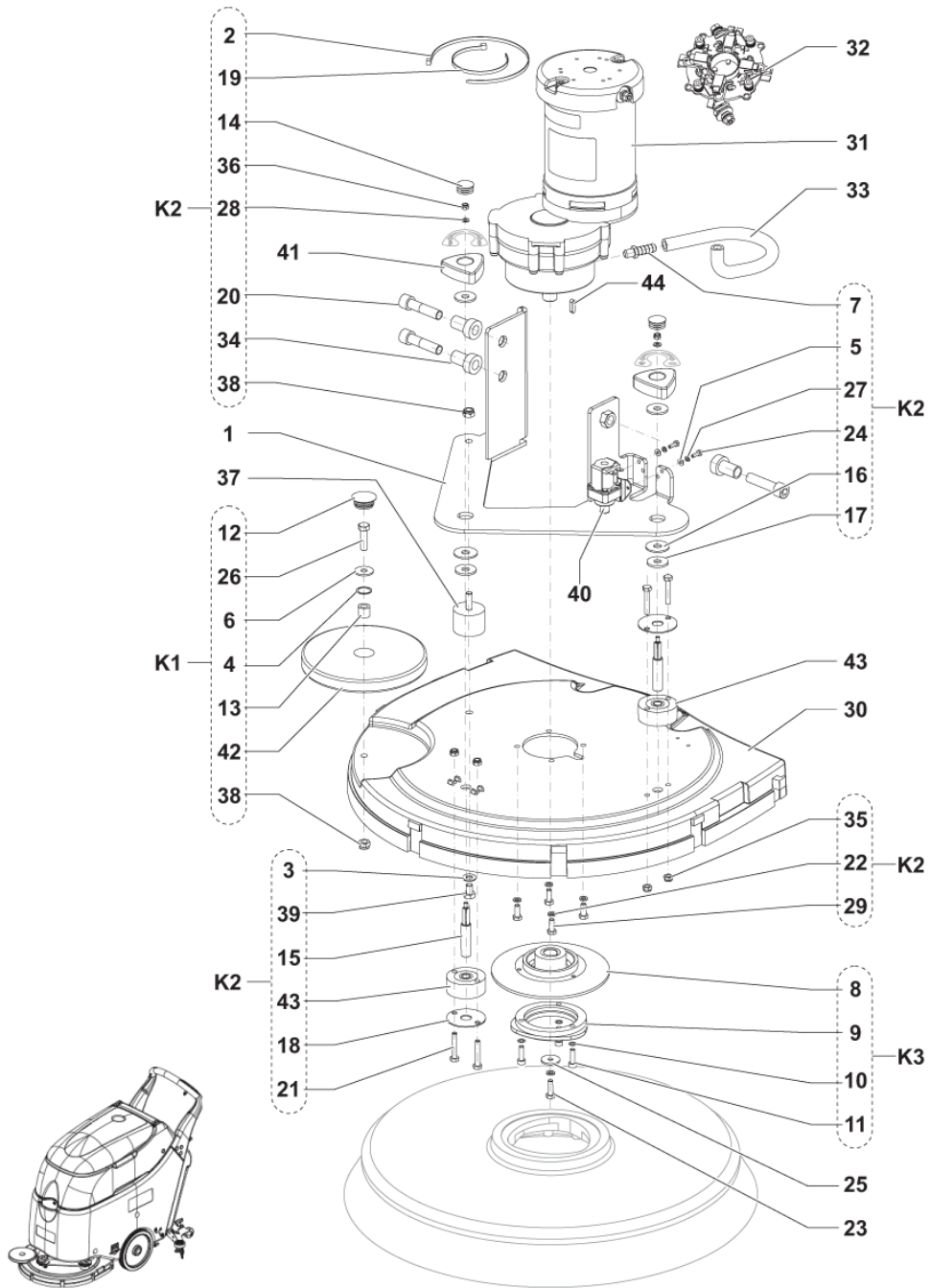
Pos.	Vare-nr	Antal	Beskrivelse	Notes
1	9100000511	4	CLAMPS F SOLUTION SYSTEM KIT	
2	909 5009 000	2	SCREW M5X12 PAN HD PHIL SS ISO7045	
3	9099337000	2	HOSE D.12 KIT	
4	9100000860	1	FILTER WATER PKD	
5	9100000861	1	NET WATER FILTER REINFORCED PKD	



Pos.	Vare-nr	Antal	Beskrivelse	Notes
6	909 6045 000	1	Beslag Til Sugefod	
8	9100000509	1	SUPPORT FRONT F SQUEEGEE PKD	
9	9100000510	1	SUPPORT REAR F SQUEEGEE PKD	
18	9100000279	1	Sugegummi kit sværtefri 29" 740 mm	
18	909 6858 000	1	Sugegummi kit polyurethan 29" 740 mm	[1]
26	909 6044 000	1	"Sugefod 30"" Kun Metaldel "	
28	909 6055 000	1	Holder For Sugegummi	
31	9100000791	1	KNOB M8X30 THD STUD SS PKD	
33	909 6600 000	1	SCREW GRUB M8X30 CUP POINT SS ISO4029	
K1	909 6851 000	1	Sugefod, komplet	
K2	909 6884 000	1	Påkørselshjul, Kit	
K3	909 6883 000	1	Hjul For Squeegerkit	
K4	909 6882 000	1	Skinnekit	
K5	909 6394 000	1	Latch Squeegee Kit	
K6	9097637000	1	Monteringskrue (2 Stk)	
K7	9099322000	1	HARDWARE SQUEEGEE SUPPORT KIT	

Part Notes:

[1] - OPTIONAL

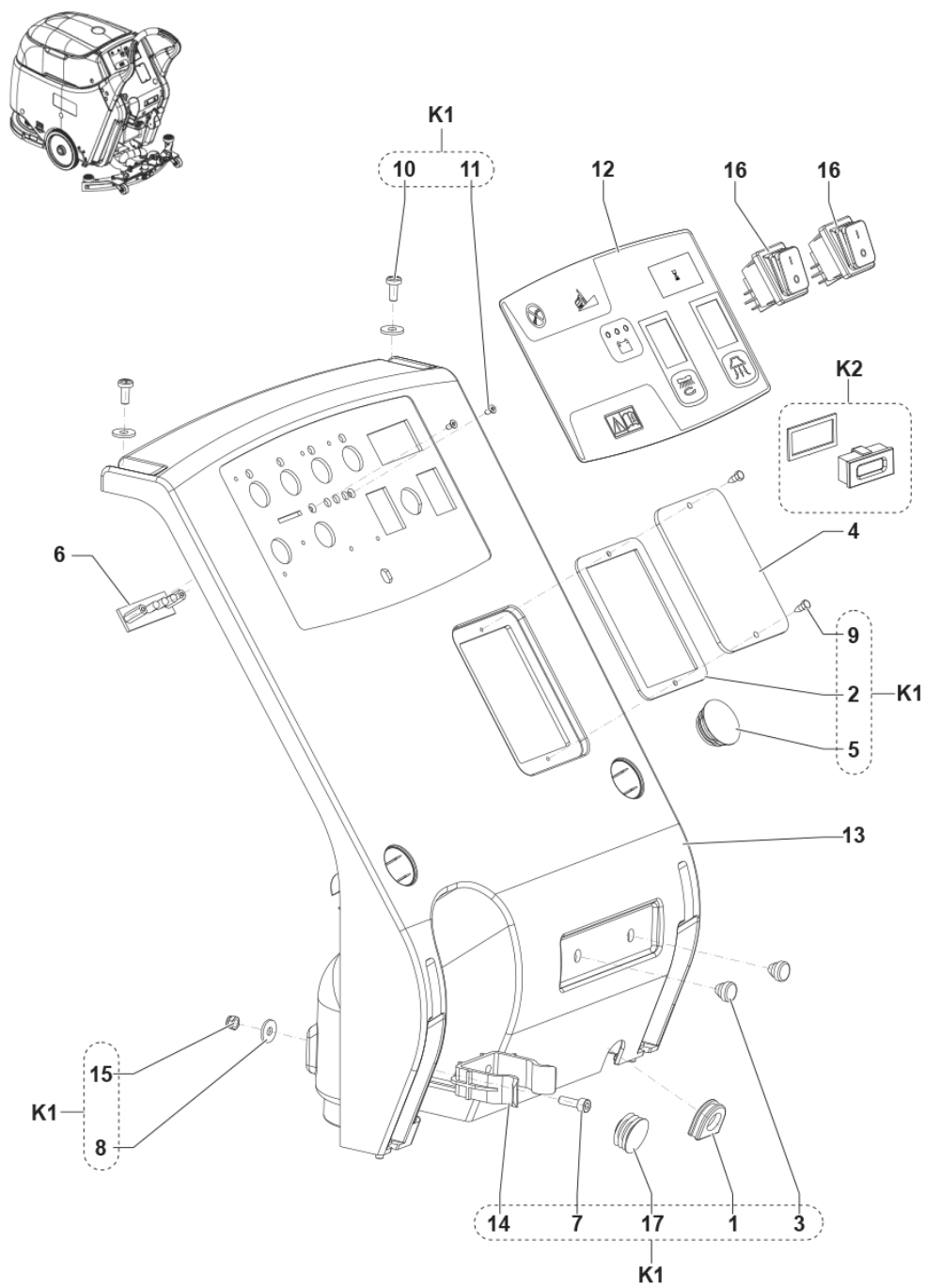


Pos.	Vare-nr	Antal	Beskrivelse	Notes
1	9100000572	1	PLATE BLACK BRUSH DECK HOLDER PKD	
8	L08812306	1	Polyg. Flange Ba450/530	
9	L08812480	1	Polyg. Holder Ba450/530	
23	145 0492 000	1	SCREW M6X25 HEX HD F/THD SS ISO4017	[1]
25	9100001272	1	WASHER PLAIN M6X24 SS ISO7093 10 PCS SET	[1]
30	909 6042 000	1	Børste Dæksel	
31	9100001279	1	REDUCTION GEARMOTOR 540W 24V KIT	[2]
32	L08603949	1	Kul Kit 4 Stk	[3]
32	9100000421	1	CARBON BRUSHES W/HOLDER KIT	[4]
32	909 5380 000	1	Carbon Brush Kit	[5]
33	9099341000	1	HOSE POLYESTER REINF. D.10 L.250 KIT	
37	9100000868	1	VIBRATION DAMPING M8 60SH 2 PCS SET	
40	9099563000	1	SOLENOID VALVE 24V	
41	L08812203	2	Knob Ba450/530	
43	L08812213	2	Hjul, Pækørsel Ba450/530	
44	1466147000		KEY 5X5X20 UNI6604A PKD	
K1	909 6887 000	1	Stødhjul	
K2	9099326000	1	HARDWARE BRUSH DECK KIT	
K3	L08812589	1	Holder Polyg,W/Flange Kit	

Part Notes:

- [1] - only for models 9087330020, 9087331020
- [2] - SEE TSB FC 2015-016
- [3] - FOR NEW AMER MOTOR 6913065E
- [4] - STOCK COVERS GUARANTEE
FOR LEROY SOMER MOTORGM515200 (4852023) - UP TO S.N. 3510152110640
- [5] - STOCK COVERS GUARANTEE

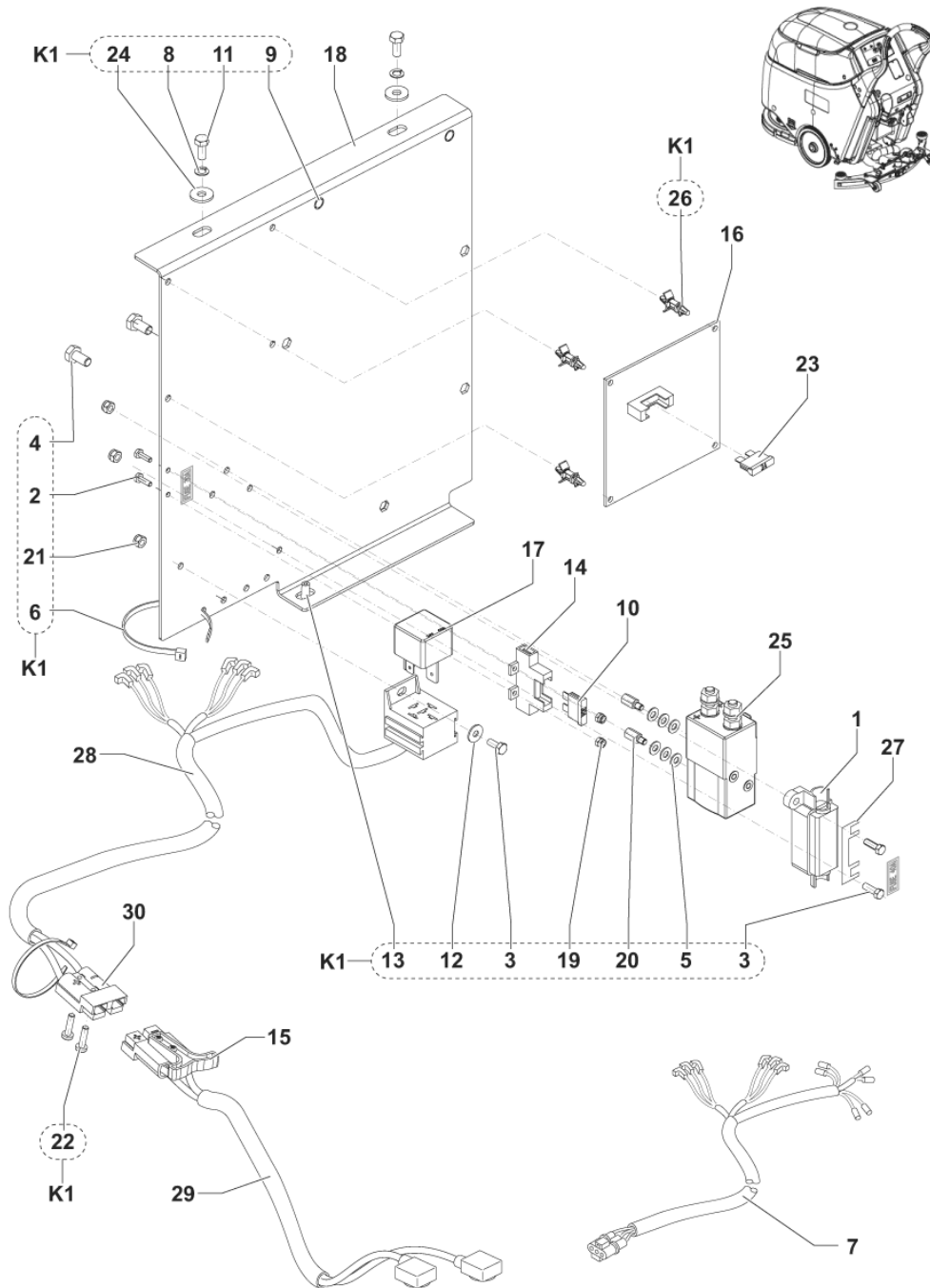
FOR OLD MODEL LEROY SOMER GM462200 - UP TO SN 3510134507872



Pos.	Vare-nr	Antal	Beskrivelse	Notes
4	9100001065	1	COVER F INSPECTION PLATE BLACK SIP	
6	L08812909	1	Diodebro Ba410	
12	9100000943	1	DECAL CONTROL PANEL SIP	
13	9100001361	1	COVER GREY F ELECTRIC COMP. BOX SIP	
16	107404540	2	Kontakt (0-1)	
K1	9099327000	1	HARDWARE CONTROL PANEL BA KIT	
K2	9096951000	1	Timetæller kit, 24 V	[1]
K2	9100000949	1	Timetæller kit	[2]

Part Notes:

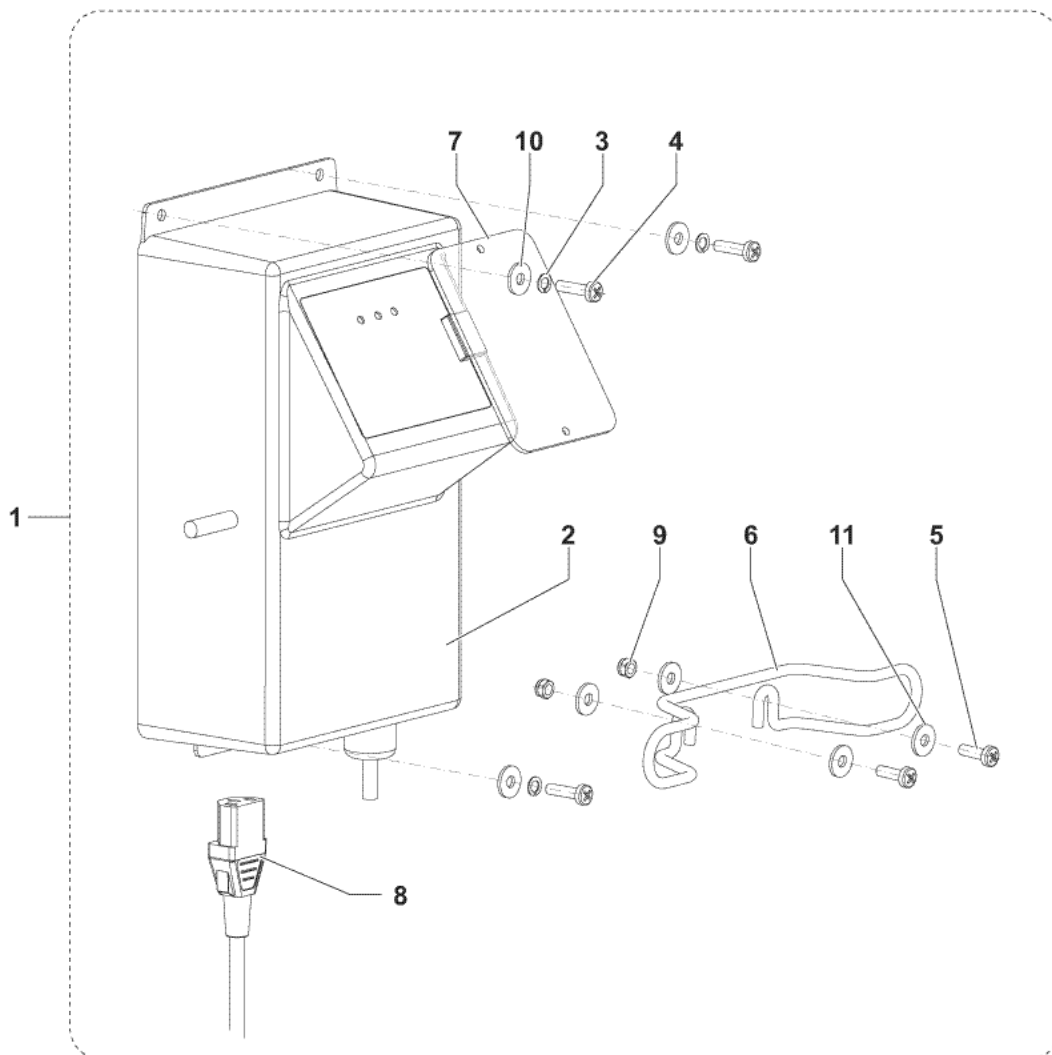
- [1] - SEE INST. INSTR. 9096952000
SEE TSB-FC-2015-049
- [2] - NOT SHOWN - SEE INST. INSTR. 9100000950



Pos.	Vare-nr	Antal	Beskrivelse	Notes
1	145 8046 000	1	Säkeringshållare	
7	9099268000	1	HARNESS MACHINE	
10	145 8513 000	1	Sikring 30A	
14	1467035000	1	HOLDER FUSE THERMOPL.UL 94-V0 SIP	
15	9100000885	1	HANDLE F BATTERY CONNECTOR SIP	
16	9099967000	1	CARD ELECTRONIC KIT	
17	909 6622 000	1	Relæ 24V 40A	
18	909 6498 000	1	SUPPORT ELECTRIC COMP.	[1]
23	145 9852 000	1	Sikring 5A	
25	146 0719 000	1	Relæ, Ba410	
27	145 3824 000	1	Sikring 40A,Bladsikring	
27	9100000778	1	FUSE STRIP 30A KIT	[2]
28	9100001196	1	HARNESS ELECTRIC COMPONENTS BOX SIP	
29	9100001953	1	HARNESS BATTERY KIT	
30	9100002248	2	CONNECTOR 50A RED SIP	
K1	9099328000	1	HARDWARE ELECTRIC COMP. KIT	

Part Notes:

- [1] - COMPLEXITY REDUCTION
 [2] - SEE INST. INSTR. 9100000777



ACCESSORIES

SC450 53B NIL

2015.05.19

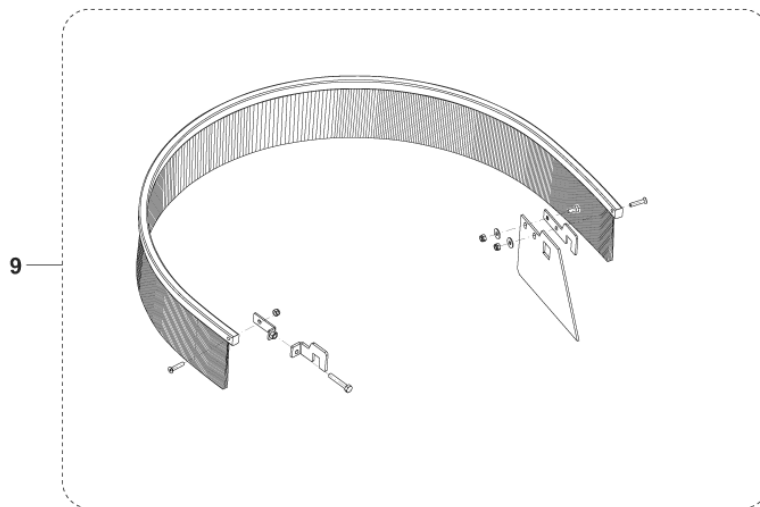
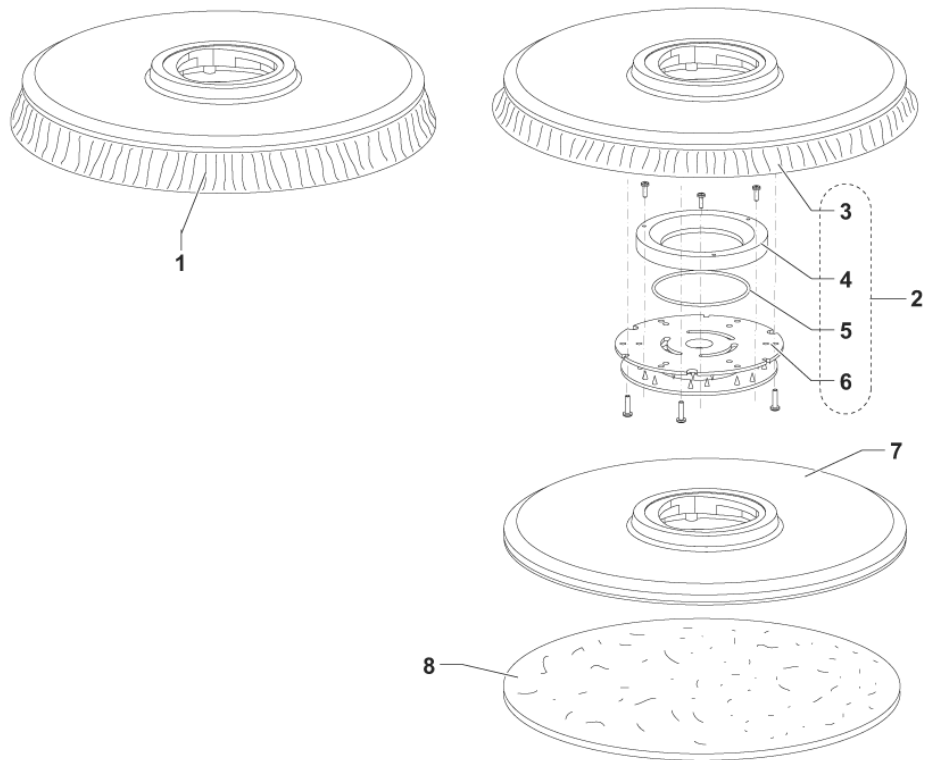
2017.06.07

Pos.	Vare-nr	Antal	Beskrivelse	Notes
1	909 6739 000	1	Indbygget oplader kit	[1]
2	9098297000	1	Lader (Indbygget) 24V 13A	
5	146 2090 000	2	SCREW M5X16 PAN HD PHIL ISO7045	
6	1466317000	1	SUPPORT CABLE KIT	
7	9100001064		COVER F INSPECTION PLATE TRANSP. SIP	
8	9096914000	1	Cable Extension Us Plug	
8	1466318000	1	CABLE EXTENSION UK PLUG L.2000MM SIP	
8	9100000790	1	CABLE EXTENSION EU PLUG L.1000MM PKD	
9	33023194	1	NUT LOCK HEX M5 LOW ISO10511 10 PCS SET	
11	1467686000	1	WASHER PLAIN M5X15 ISO7093 10 PCS SET	

Part Notes:

[1] - use ES15909 8297 000

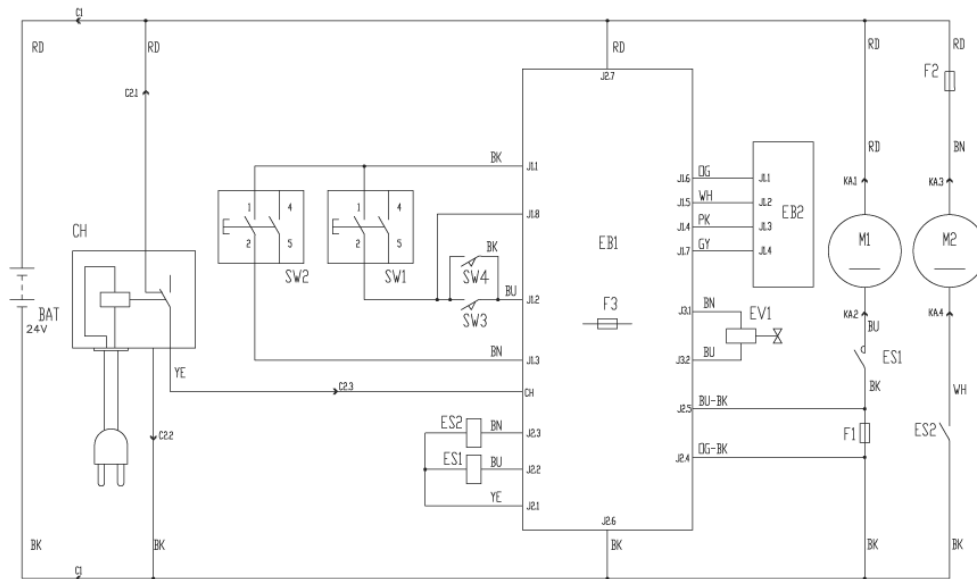
OPTIONAL - SEE INST.INSTR. 909 6746 000



Pos.	Vare-nr	Antal	Beskrivelse	Notes
1	L08837025	1	Børste Prolene 21" Ø530 mm	[1]
1	L08837026	1	Børste Prolite 21" Ø530 mm	[1]
1	L08837027	1	Børste naturhår 21" Ø530 mm	[2]
1	L08837028	1	Børste Midlite Grit 180 21" Ø530 mm	[2]
1	L08837029	1	Børste Clean Grit 21" Ø530 mm	[2]
1	L08837065	1	Børste Magna Grit 46 21" Ø530 mm	[2]
1	L08837066	1	Børste Dyna Grit 80 21" Ø530 mm	[2]
1	L08837067	1	Børste Aglite Grit 500 21" Ø530 mm	[2]
4	L08603966	1	Ring Nylon	
5	L08603965	1	O-RING 2.62X82.22 -3325-NBR 40SH	
6	56505195	1	Rondellås Lynkobling	
7	9099671000	1	Rondelholder 20" Ø508 mm Velcro	[2]
7	L08837018	1	Rondelholder 21" Ø530 mm	[2]
8	10001955	1	Eco Pad sort 20" Ø508 mm (5 stk.)	[2]
8	10001956	1	Eco Pad blå 20" Ø508 mm (5 stk.)	[2]
8	10001957	1	Eco Pad brun 20" Ø508 mm (5 stk.)	[2]
8	10001958	1	Eco Pad grøn 20" Ø508 mm (5 stk.)	[2]
8	10001959	1	Eco Pad rød 20" Ø508 mm (5 stk.)	[2]
8	10001960	1	Eco Pad hvid 20" Ø508 mm (5 stk.)	[2]
8	10002348	1	Eco Brilliance Pad rød 20" Ø500 (2 stk)	[2]
8	10002349	1	Eco Brilliance Pad blå 20" Ø500 (2 stk)	[2]
8	10002350	1	Eco Brilliance Pad gul 20" Ø500 (2 stk)	[2]
8	10002351	1	Eco Brilliance Pad grøn 20" Ø500 (2stk)	[2]
9	909 6736 000	1	Stænkskørt kit 21" 530 mm	[3]

Part Notes:

- [1] - OPTIONAL
 [2] - OPTION
 [3] - OPTION - SEE INST. INSTR. 909 6745 000



Pos.	Vare-nr	Antal	Beskrivelse	Notes
BAT		1	24V BATTERIES	
C1	9100002248	1	CONNECTOR 50A RED SIP	
C2		1	MAIN CHARGER CONNECTOR	
CH	9098297000	1	Lader (Indbygget) 24V 13A	
EB1	9099967000	1	CARD ELECTRONIC KIT	
EB2	L08812909	1	Diodebro Ba410	
ES1	146 0719 000	1	Relæ, Ba410	
ES2	909 6622 000	1	Relæ 24V 40A	
EV1	9099563000	1	SOLENOID VALVE 24V	
F1	145 3824 000	1	Sikring 40A,Bladsikring	
F2	145 8513 000	1	Sikring 30A	
F3	145 9852 000	1	Sikring 5A	
M1	9100001279	1	REDUCTION GEARMOTOR 540W 24V KIT	
M2	9099922000	1	MOTOR VACUUM 330W 24V KIT	
SW1	107404540	1	Kontakt (0-1)	
SW2	107404540	1	Kontakt (0-1)	
SW3-4	9100000466	1	SWITCHES CPL BLACK F HANDLE BAR KITHANDLE BAR SWITCH	

RECOMMENDED PARTS

SC450 53B NIL

2015.05.19

2017.03.02

RECOMMENDED PARTS

SC450 53B NIL

2015.05.19

2017.03.02

Pos.	Vare-nr	Antal	Beskrivelse	Notes
N W	909 5371 000	1	Kul, Sugemotor 410/343	
N W	9100000279	1	Sugegummi kit sværtefri 29" 740 mm	
N W	L08837025	1	Børste Prolene 21" Ø530 mm	
N W	909 5380 000	1	Carbon Brush Kit	[1]
N W	9100000421	1	CARBON BRUSHES W/HOLDER KIT	[1]
N W	909 6736 000	1	Stænkskørt kit 21" 530 mm	
O M	9099258000	1	CABLE SQUEEGEE LIFTING	
O M	9099953000	1	WHEEL D.50	
O M	9099922000	1	MOTOR VACUUM 330W 24V KIT	
O M	9099255000	1	HOSE VACUUM MOTOR	
O M	9100000642	1	Sugeslange sort	
O M	9099692000	1	AFTAPNINGSSLANGE SORT PKD	
O M	9099342000	1	GASKET BULB RUBBER L.1350MM PKD	
O M	9100002138	2	WHEEL D.254X40 KIT	
O M	9100000860	1	FILTER WATER PKD	
O M	9100000861	1	NET WATER FILTER REINFORCED PKD	
O M	9100001279	1	REDUCTION GERMOTOR 540W 24V KIT	
O M	9099563000	1	SOLENOID VALVE 24V	
O M	9100000868	1	VIBRATION DAMPING M8 60SH 2 PCS SET	
O M	9099671000	1	Rondelholder 20" Ø508 mm Velcro	
O M	9099310000	1	GASKETS VACUUM MOTOR KIT	
O M	9099311000	1	GASKETS KIT	
O M	9099513000	1	VALVE ELBOW 90. D.13MM	
E O M	9100000466	1	SWITCHES CPL BLACK F HANDLE BAR KITSWITCH	
E O M	9100000943	1	DECAL CONTROL PANEL SIP	
E O M	107404540	2	Kontakt (0-1)	
E O M	11178A	1	SWITCH HANDLE ASSY	
E O M	145 8513 000	1	Sikring 30A	
E O M	9099967000	1	CARD ELECTRONIC KIT	
E O M	909 6622 000	1	Relæ 24V 40A	
E O M	146 0719 000	1	Relæ, Ba410	
E O M	145 3824 000	1	Sikring 40A,Bladsikring	
E O M	9100001196	1	HARNESS ELECTRIC COMPONENTS BOX SIP	
E O M	9100002248	2	CONNECTOR 50A RED SIP	
E O M	9099268000	1	HARNESS MACHINE	
E O M	145 9852 000	1	Sikring 5A	
E O M	9098297000	1	Lader (Indbygget) 24V 13A	
E O M	909 6887 000	1	Stødhjul	

Part Notes:

[1] - STOCK COVERS GUARANTEE

