

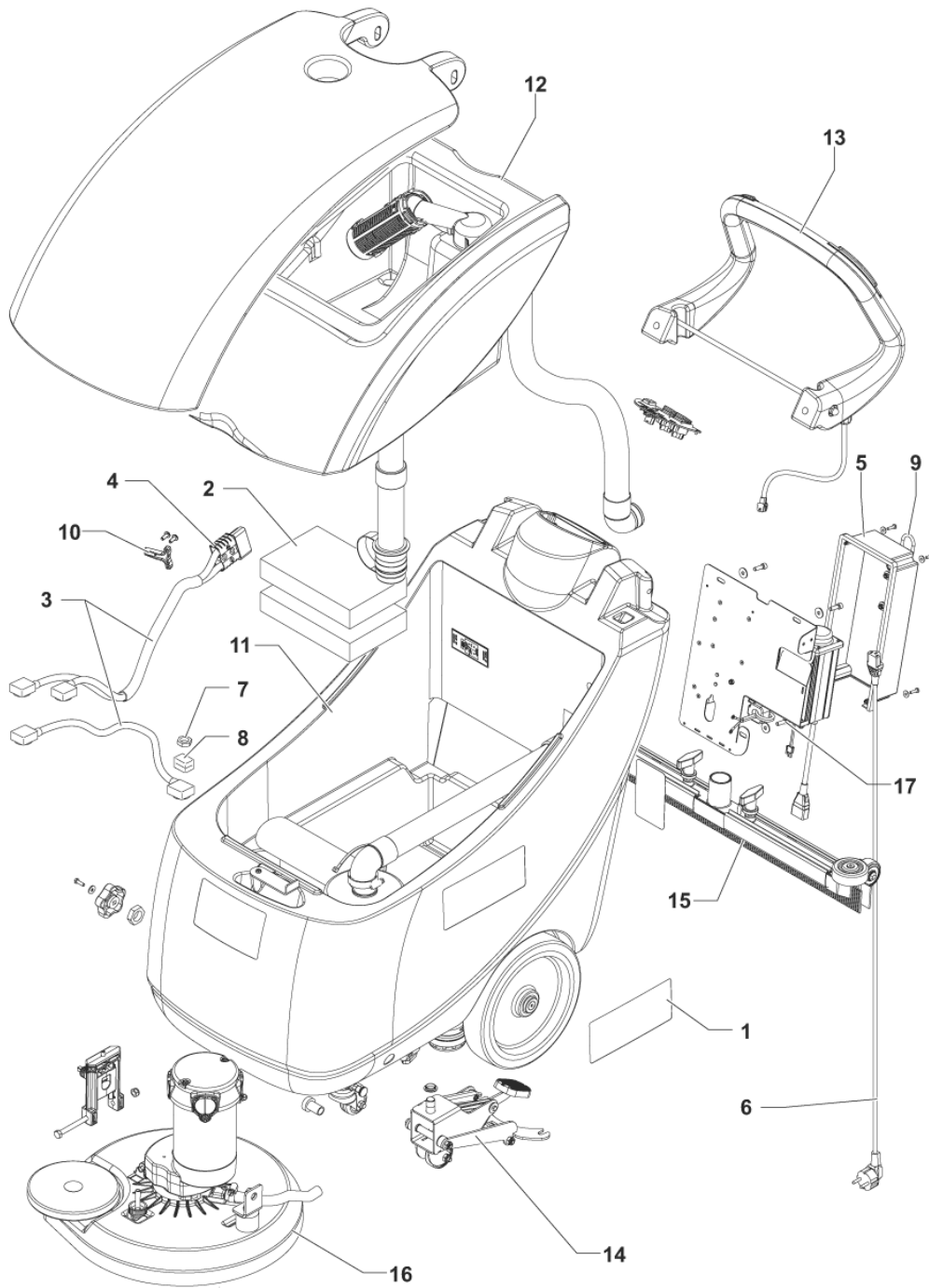
PARTS LIST



2018.02.28

TABLE OF CONTENTS

GENERAL SYSTEM	1
SOLUTION SYSTEM	3
RECOVERY SYSTEM	5
FILTER AND WHEELS SYSTEM	7
HANDLE AND DASHBOARD SYSTEM	9
SQUEEGEE AND LIFT SYSTEM	11
BRUSH SYSTEM	13
WIRING SYSTEM	15
ACCESSORIES	17
RECOMMENDED SPARE PARTS	19



Pos.	Vare-nr	Antal	Beskrivelse	Notes
1	9099968000	1	DECALS SCRUBTEC 343.2 ALTO CUSTOM KIT	
1	9100001550	1	DECALS SCRUBTEC 343.2 KIT	
2	L08812670	2	RESTRAINT. BATTERY	
3	9100001952	1	HARNESS BATTERY KIT	
4	9100002248	1	CONNECTOR 50A RED SIP	
5	9099762000	1	COVER ELECTRIC BOX KIT	
6	9100000790	1	CABLE EXTENSION EU PLUG L.1000MM PKD	
7	9099757000	1	NUT HEX M8 INSULATING PLASTIC	
8	9099756000	1	FUSE 125A	
9	1466317000	1	SUPPORT CABLE KIT	
10	9100000885	1	HANDLE F BATTERY CONNECTOR SIP	
11		1	SOLUTION SYSTEM	[1]
12		1	RECOVERY SYSTEM	[2]
13		1	HANDLE SYSTEM	[3]
14		1	LIFT SYSTEM	[4]
15		1	SQUEEGEE SYSTEM	[5]
16		1	BRUSH SYSTEM	[6]
17		1	WIRING SYSTEM	[7]

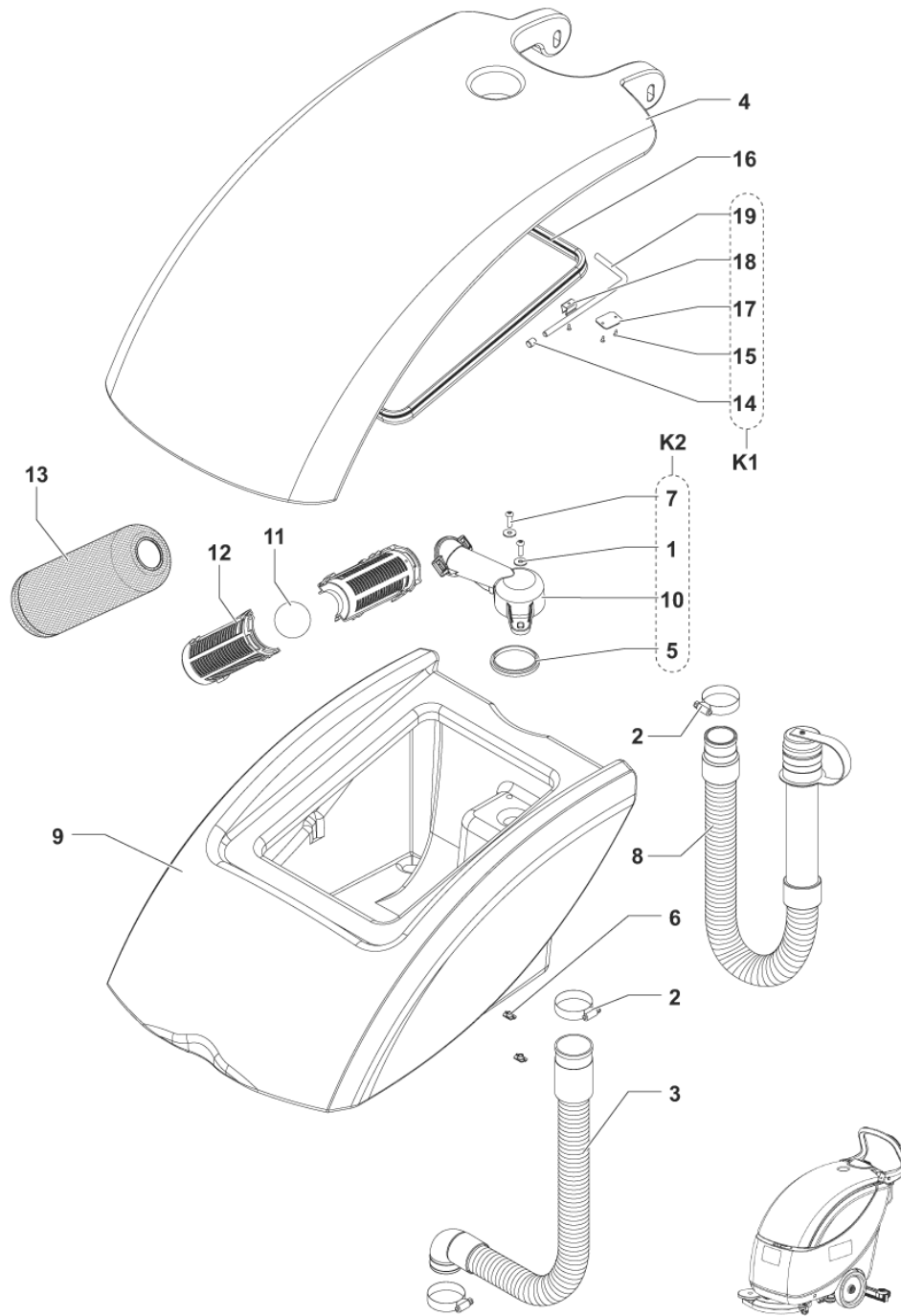
Part Notes:

- [1] - SOLUTION SYSTEM
- [2] - RECOVERY SYSTEM
- [3] - HANDLE SYSTEM
- [4] - LIFT SYSTEM
- [5] - SQUEEGEE SYSTEM
- [6] - BRUSH SYSTEM
- [7] - WIRING SYSTEM

Pos.	Vare-nr	Antal	Beskrivelse	Notes
8	909 6380 000	1	Slangeklemme Kit	
12	9100000574	1	BARB HOSE STRAIGHT D.19.8 G1/2 PLAST KIT	
14	9100000959	1	Motor vacuum kit	
15	909 5371 000	2	Kul, Sugemotor 410/343	
16	9098446000	1	Rentvandsslange	
19	9100001211	1	ELBOW 90 D.20 G1/2 M KIT	
20	9100000732	1	TANK SOLUTION BLUE PKD	
23	909 5564 000	1	Isolering	
24	909 5565 000	1	Lydisolering F. Sugemotor	
25	909 5579 000	1	Slange	
26	9098802000	1	FILTER LEVEL WATER HOSE	
27	9099103000	1	HARNES MACHINE	
28	909 6304 000	1	BRACKET BRUSH SUPPORT	
29	9099195000	1	SUPPORT ADJUSTING FRONT CPL	
30	9098466000		COVER MOTOR	
31	9100002248	1	CONNECTOR 50A RED SIP	
K1	9099763000	1	HARDWARE SOLUTION TANK KIT	[1]

Part Notes:

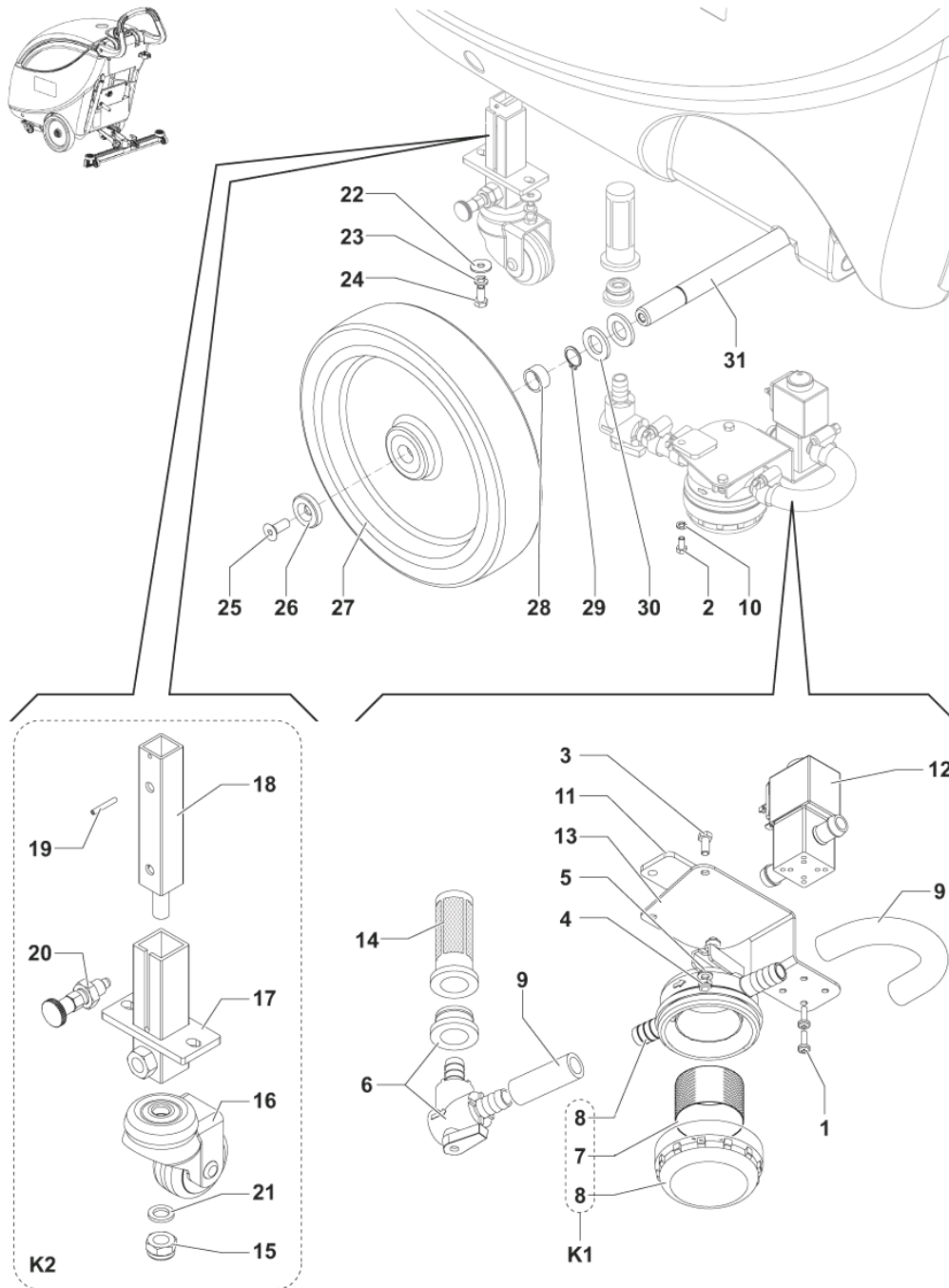
[1] - NOT SHOWN (POS.1-2-3-4-5-7-9-10-11-13-17-18-21-22-32)



Pos.	Vare-nr	Antal	Beskrivelse	Notes
2	9100001348	2	CLAMP 14/32-52 10 PCS SET	
3	9100000650	1	SUGESLANGE SORT PKD	
7	9100001949	1	COVER PLAST. BLUE F TANK 30L SIP	
8	9099692000	1	AFTAPNINGSSLANGE SORT PKD	
9	909 6272 000	1	Snavsvandstank (Blå)	
11	9100000817	1	BALL FLOATING PKD	
12	9100000818	1	CAGE FLOAT HALF 2 PCS SET	
13	909 5065 000	1	Anti-skumfilter	[1]
16	909 6268 000	1	Pakning	
K1	9099776000	1	LEVER FIXING COVER KIT	[2]
K2	9100001875	1	SUPPORT FLOAT KIT	[3]

Part Notes:

- [1] - OPTION
- [2] - (POS.14-15-17-18-19)
- [3] - (POS.1-5-6-7-10)



FILTER AND WHEELS SYSTEM

SCRUBTEC 343.2 B ALT

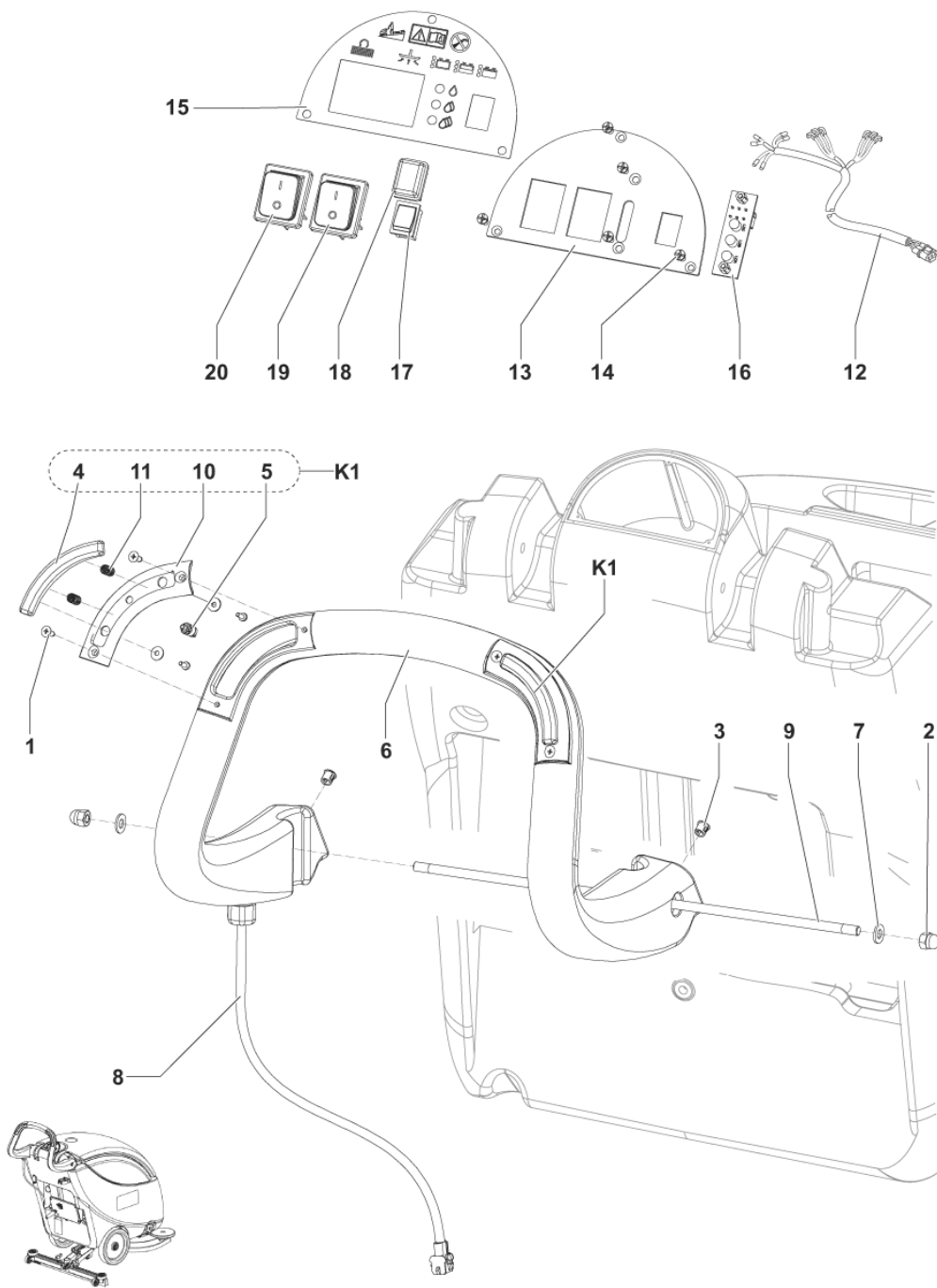
2017.11.02

2017.03.08

Pos.	Vare-nr	Antal	Beskrivelse	Notes
6	9097626000	1	Ventil	
7	9100000861	1	NET WATER FILTER REINFORCED PKD	
8	9099778000	1	HOSE SOLUTION FILTER KIT	
11	9099200000	1	SPACER ADHESIVE RUBBER	
12	9100000870	1	Magnetventil 24V PKD	
13	9099179000	1	SUPPORT FILTER AND SOLENOID VALVE	
14	9100001353	1	FILTER SOLUTION TANK PKD	[1]
16	9100000961	1	WHEEL CASTOR D.51 SS GREY PKD	
20	909 5641 000	1	Låsetapp,Hjul	
26	9100002136	1	WASHER COUNTERSUNK 9X30 H.6 - 2 PCS SET	
27	9099410000	2	Wheel D.250X50 Grey	
K1	9100000860	1	FILTER WATER PKD	[2]
K2	9099705000	1	NÆSEHJUL KIT BA 410	[3]
K3	9099765000	1	HARDWARE WHEELS SHAFT KIT	[4]
K4	9099766000	1	HARDWARE FILTER AND SUPPORT KIT	[5]

Part Notes:

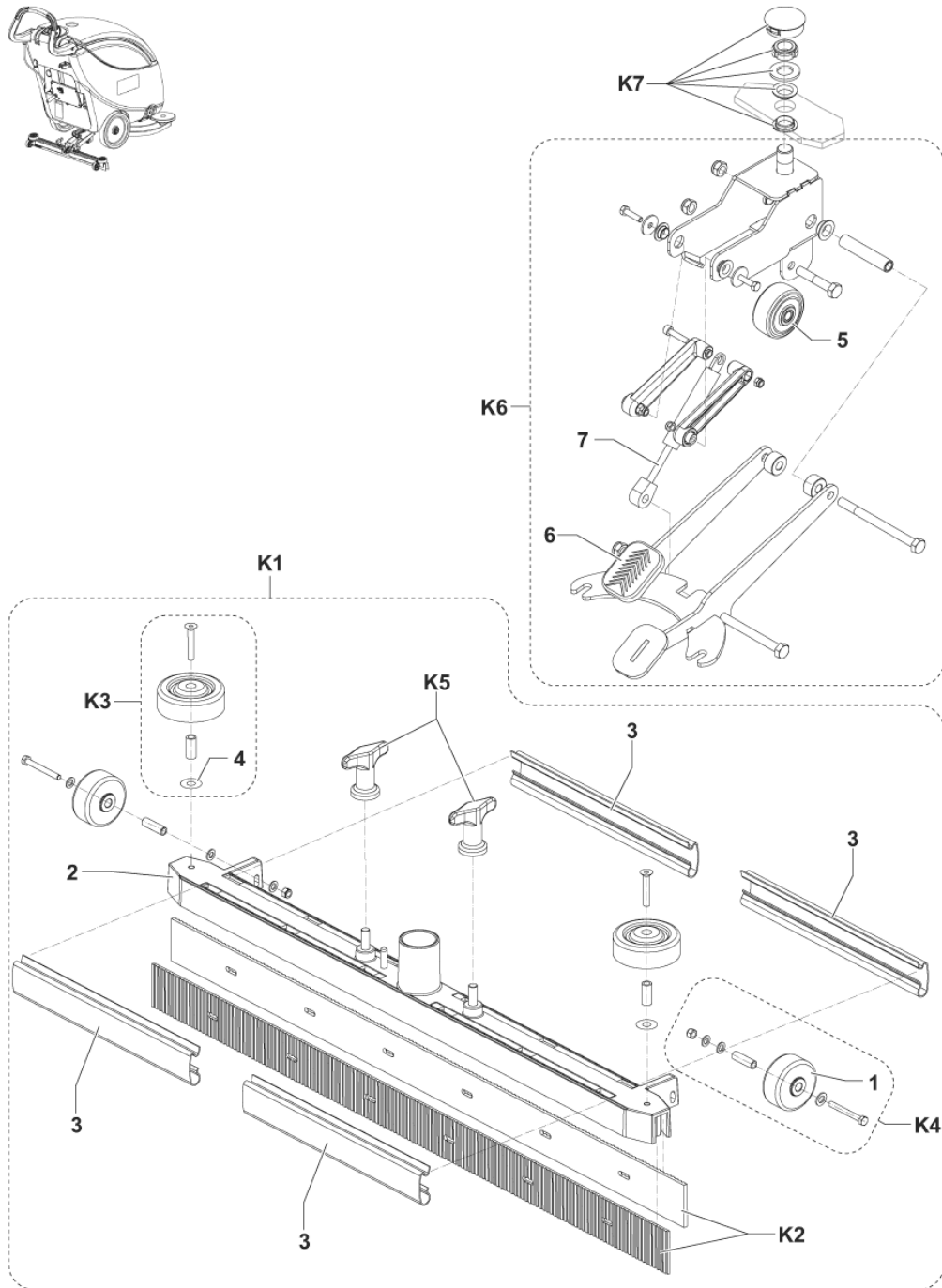
- [1] - OPTION
- [2] - (POS.7-8)
- [3] - (POS.15-16-17-18-19-20-21)
- [4] - NOT SHOWN (POS.25-26-28-29-30-31)
- [5] - NOT SHOWN (POS.1-2-3-4-5-10-22-23-24)



Pos.	Vare-nr	Antal	Beskrivelse	Notes
6	909 6488 000	1	HANDLE BAR PLASTIC	
8	909 6768 000	1	HARNES HANDLE BAR	
9	909 6774 000	1	PIN HANDLE BAR	
12	9099144000	1	CABLE DASHBOARD	
13	9099199000	1	PANEL CONTROL	
15	9099380000	1	DECAL CONTROL PANEL	
16	9099053000	1	CARD TWO-COLOURED LED	
17	9099107000	1	SWITCH SINGLE-POLE MOMENTARY	
18	L08603154	1	Beskyttelsehætte Ca340 F/Vanddoseringsk	
19	107404540	1	Kontakt (0-1)	
20	107404540	1	Kontakt (0-1)	
K1	11053A	2	CONTROL ASM HANDLE SWITCH	[1]
K2	9099780000	1	HARDWARE HANDLE BAR KIT	[2]

Part Notes:

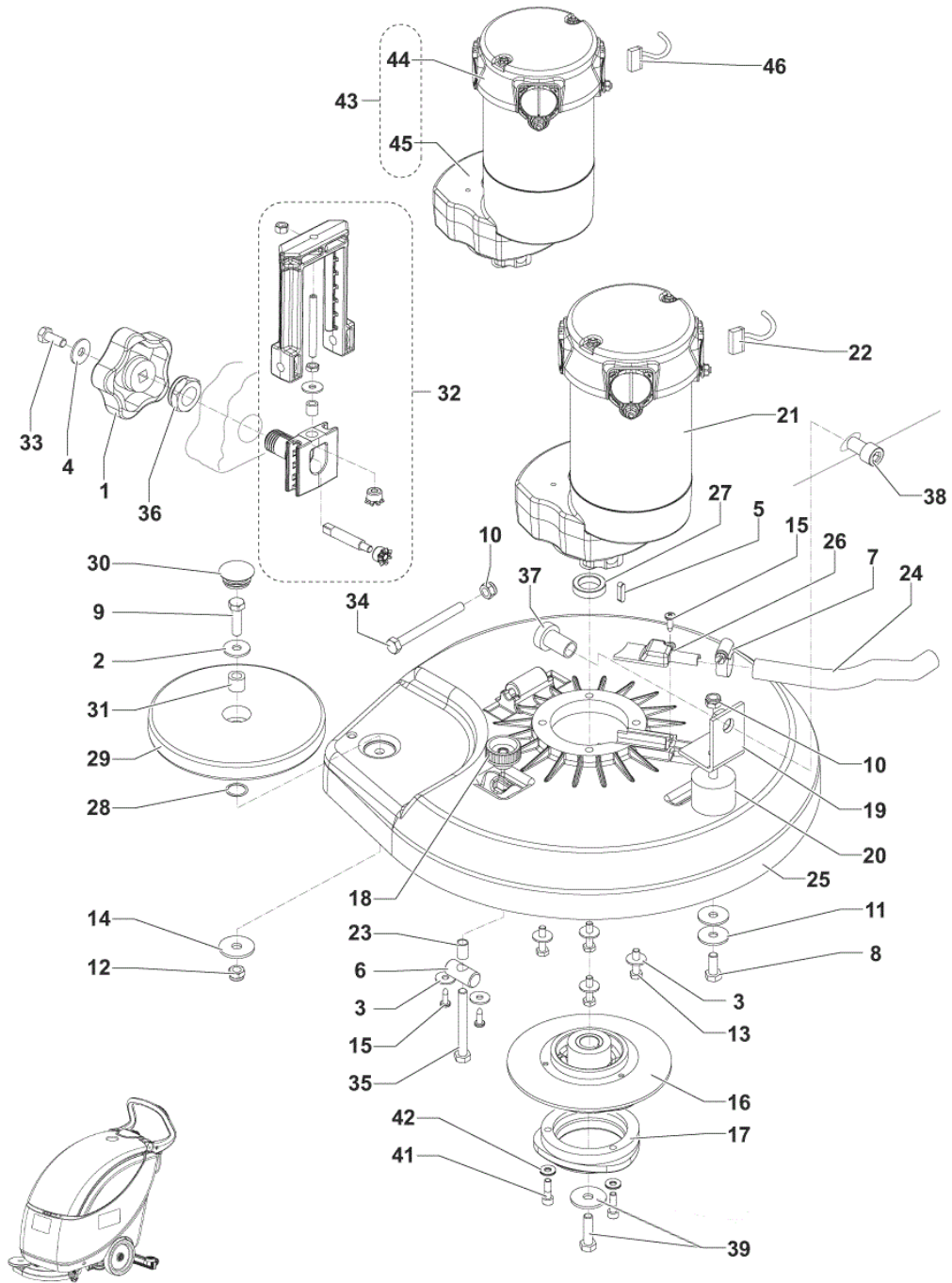
- [1] - (POS.4-5-10-11)
[2] - NOT SHOWN (POS.1-2-3-7-14)



Pos.	Vare-nr	Antal	Beskrivelse	Notes
1	9100000559	2	WHEEL D.51 GREY PKD	
2	909 5554 000	1	Sugefodsenshed	
3	9100001661	2	Sugegummi-skinne - sæt 2 stk.	
4	L08603689	2	WASHER 6X18X1.5 UNI6593 SS	
5	9100000556	1	WHEEL D.50 PKD	
6	9099106000	1	COVER PEDAL	
7	909 5637 000	1	Gas Fjeder	
K1	909 5702 000	1	Sugefod Kompl. BA/CA 410	[1]
K2	9097354000	1	Sugegummi kit polyurethan 28" 720 mm	
K3	L08603880	1	Stødhjulskit, Sugefod	[2]
K4	909 5703 000	1	Hjul T/Sugelæbekit BA/CA 410	[3]
K5	9097637000	1	Monteringskrue (2 Stk)	
K6	9099769000	1	SUPPORT SQUEEGEE LIFT KIT	[4]
K7	9099770000	1	FIXING SUPPORT SQUEEGEE KIT	

Part Notes:

- [1] - (POS.K1-K2-K3-K4-K5-2-3)
- [2] - (POS.4)
- [3] - (POS.1)
- [4] - (POS.5-6-7)



Pos.	Vare-nr	Antal	Beskrivelse	Notes
1	9098465000	1	HANDLE LOBE SQUARE HOLE	
5	1466147000	1	KEY 5X5X20 UNI6604A PKD	
16	L08812589	1	Holder Polyg,W/Flange Kit	
17	L08812480	1	Polyg. Holder Ba450/530	
18	909 5964 000	1	Knob M8	
19	9099356000	1	BRACKET DECK SUPPORT	
20	9100000868	1	VIBRATION DAMPING M8 60SH 2 PCS SET	
21	9098308000	1	Gearmotor 450W 24V	
22	9098376000	1	CARBON BRUSHES KIT 4 PCS	
24	9099779000	1	HOSE BRUSH DECK KIT	
25	9099093000	1	DECK BRUSH	
26	9100000869	1	COVER SOLUTION HOSE SUPPORT SIP	
29	L08812204	1	Bumper Rollers Ba450/530	
32	9099771000	1	Justeringskit til børste	
39	9100001269	1	HARDWARE HUB BRUSH KIT	
43	9099805000	1	Gearmotor 520W 24V	[1]
44	9097114000	1	Motor Electric 520W 24V	
45	9099851000	1	REDUCTION GEAR	
46	909 6893 000	1	Carbon Brush Kit -4Pcs-	
K1	9099772000	1	HARDWARE BRUSH SYSTEM KIT	[2]

Part Notes:

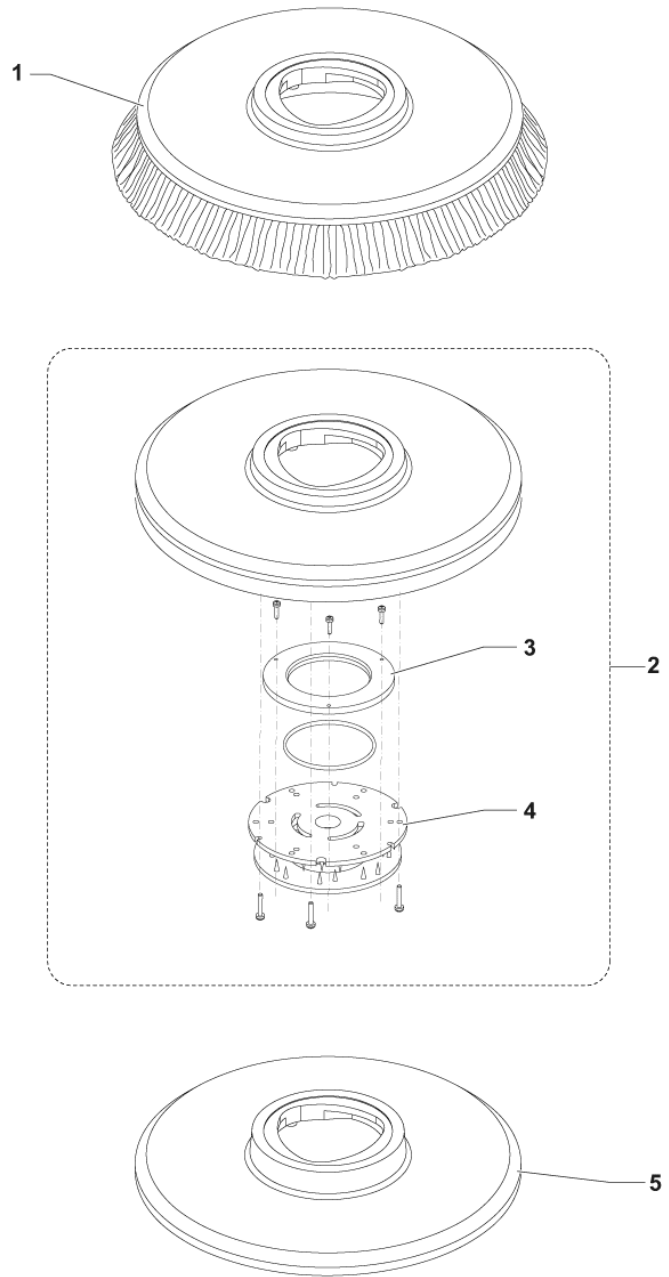
[1] - OPTION

[2] - NOT SHOWN (POS.2-3-4-6-7-8-9-10-11-12-13-14-15-23-27-28-30-31-33-34-35-36-37-38-41-42)

Pos.	Vare-nr	Antal	Beskrivelse	Notes
1	145 8046 000	1	Säkeringshållare	
9	145 3824 000	1	Sikring 40A,Bladsikring	
10	145 8513 000	1	Sikring 30A	
15	1467035000	1	HOLDER FUSE THERMOPL.UL 94-V0 SIP	
16	9097209000	1	Switch Electromagnetic 24V	
17	9100001080	1	PLATE ELECTRIC COMPONENTS SIP	
18	9100000184	1	CARD ELECTRONIC FUNCTIONS KIT	
19	9099104000	1	HARNESSE ELECTRIC COMP. BOX	
20	9100000290	1	Indbygget oplader kit	
23	145 9852 000	1	Sikring 5A	
24	909 6678 000	1	FUSE 20A GLASS DELAYED	
25	909 6622 000	1	Relæ 24V 40A	
28	9099387000	1	FERRITE	[1]
K1	9099773000	1	HARDWARE WIRING SYSTEM KIT	[2]

Part Notes:

- [1] - COMPLEXITY REDUCTION
 [2] - NOT SHOWN (POS.2-3-4-5-6-7-8-11-12-13-14-21-22-26-27)



Pos.	Vare-nr	Antal	Beskrivelse	Notes
1	909 5694 000	1	Børste naturhår 17" Ø430 mm	
1	L08812891	1	Børste Prolene 17" Ø430 mm	
1	909 5692 000	1	Børste Mid Grit 180 17" Ø430 mm	
1	909 5691 000	1	Børste Midlite Grit 240 17" Ø430 mm	
1	909 5693 000	1	Børste Prolite 17" Ø430 mm	
2	9100001897	1	Rondelholder 17" Ø430 mm	[1]
3	L08603966	1	Ring Nylon	
4	L08603965	1	O-RING 2.62X82.22 -3325-NBR 40SH	
4	56505195	1	Rondellås Lynkobling	
5	9100002050	1	Rondelholder 17" Ø432 mm Velcro	[1]
6	10001935	1	Eco Pad 17" MF til tæpper Ø432 (6 stk.)	[2]
6	10001941	1	Eco Pad rød 17" Ø432 mm (5 stk.)	[2]
6	10001937	1	Eco Pad lys brun 17" Ø432 mm (5 stk.)	[2]
6	10001939	1	Eco Pad blå 17" Ø432 mm (5 stk.)	[2]
6	10002337	1	Eco Brilliance Pad blå 17" Ø430 (2 stk)	[2]
6	10002339	1	Eco Brilliance Pad grøn 17" Ø430 (2stk)	[2]
6	10001938	1	Eco Pad sort 17" Ø432 mm (5 stk.)	[2]
6	10001936	1	Eco Pad hvid 17" Ø432 mm (5 stk.)	[2]
6	10001940	1	Eco Pad grøn 17" Ø432 mm (5 stk.)	[2]
6	10002338	1	Eco Brilliance Pad gul 17" Ø430 (2 stk)	[2]
6	10002336	1	Eco Brilliance Pad rød 17" Ø430 (2 stk)	[2]
7	80542432	1	Oplader HF 24V 30A til AGM spiralcelle	[2]
8	1466318000	1	CABLE EXTENSION UK PLUG L.2000MM SIP	[2]
9	80564200	1	Batteri 12V 50A GEL monoblok	[2]
9	80564310	1	Batteri 12V 76A GEL monoblok	[2]
9	80561268	1	Batteri 12V 68A AGM spiralcelle	[2]
9	80561252	1	Batteri 12V 52A AGM spiralcelle	[2]

Part Notes:

- [1] - See TSB-FC-2016-012
- [2] - NOT SHOWN

RECOMMENDED SPARE PARTS

SCRUBTEC 343.2 B ALT

2017.11.02

2017.02.20

RECOMMENDED SPARE PARTS

SCRUBTEC 343.2 B ALT

2017.11.02

2017.02.20

Pos.	Vare-nr	Antal	Beskrivelse	Notes
	9100000860	1	FILTER WATER PKD	
	9100000650	1	SUGESLANGE SORT PKD	
	909 5703 000	1	Hjul T/Sugelæbekit BA/CA 410	
	9097626000	1	Ventil	
	9097354000	1	Sugegummi kit polyurethan 28" 720 mm	
	9100000868	1	VIBRATION DAMPING M8 60SH 2 PCS SET	
	909 5554 000	1	Sugefodsenshed	
	9099106000	1	COVER PEDAL	
	9098446000	1	Rentvandsslange	
	9099771000	1	Justeringskit til børste	
	145 3824 000	1	Sikring 40A,Bladsikring	
	9099705000	1	NÆSEHJUL KIT BA 410	
	9100000959	1	Motor vacuum kit	
	L08812891	1	Børste Prolene 17" Ø430 mm	
	9100000290	1	Indbygget oplader kit	
	107404540	1	Kontakt (0-1)	
	909 5637 000	1	Gas Fjeder	
	L08603880	1	Stødhjulskit, Sugefod	
	107404540	1	Kontakt (0-1)	
	9099756000	1	FUSE 125A	
	9099107000	1	SWITCH SINGLE-POLE MOMENTARY	
	145 8513 000	1	Sikring 30A	
	9100000559	1	WHEEL D.51 GREY PKD	
	9097209000	1	Switch Electromagnetic 24V	
	9098376000	1	CARBON BRUSHES KIT 4 PCS	
	9100001661	2	Sugegummi-skinne - sæt 2 stk.	
	L08812480	1	Polyg. Holder Ba450/530	
	9098308000	1	Gearmotor 450W 24V	
	11053A	2	CONTROL ASM HANDLE SWITCH	
	909 6380 000	1	Slangeklemme Kit	
	909 5716 000	1	Pakning til låg. Længde 1250mm	
	9099104000	1	HARNESS ELECTRIC COMP. BOX	
	909 5371 000	2	Kul, Sugemotor 410/343	
	9100001348	2	CLAMP 14/32-52 10 PCS SET	
	9100000870	1	Magnetventil 24V PKD	
	9100000184	1	CARD ELECTRONIC FUNCTIONS KIT	
	9099757000	1	NUT HEX M8 INSULATING PLASTIC	

