

# PARTS LIST

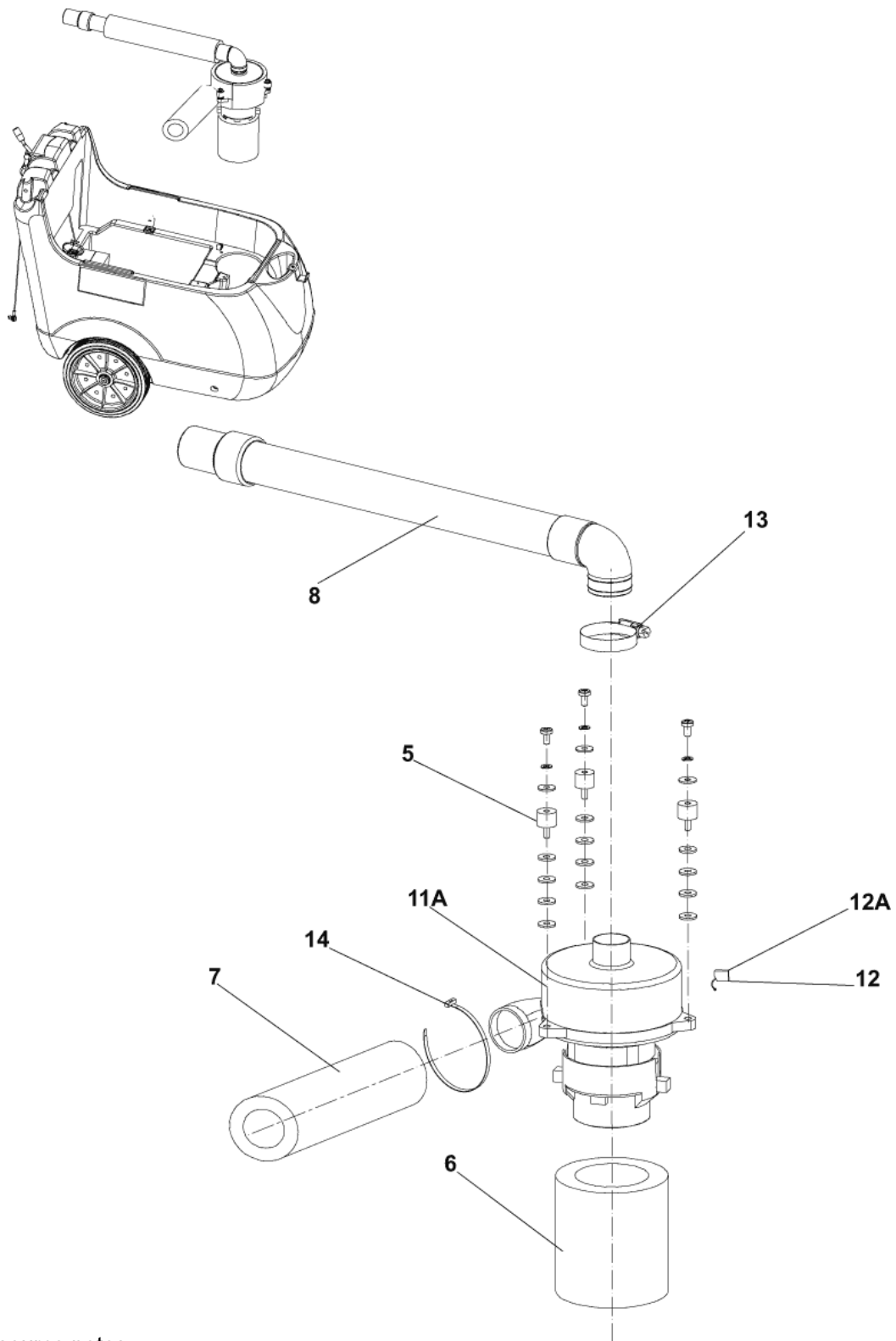


2018.10.01

# TABLE OF CONTENTS

---

Vacuum system .....	1
Solution tank .....	3
Recovery tank - from Serial no. 054418642 .....	5
Recovery tank - before Serial no. 054418642 .....	7
Handle assembly .....	9
Solution system .....	11
Squeegee assembly .....	13
Brush system - before Serial no. 054920336 .....	15
Brush system - from Serial no. 054920336 .....	17
LEDNINGSSYSTEM .....	19
Accessory: Squeegee curved .....	21
Accessories: Brush, pad, others .....	23
Recommended spare parts .....	25
Wiring diagram - before Serial no. 055121383 .....	27
Wiring diagram - from Serial no. 055121383 .....	29



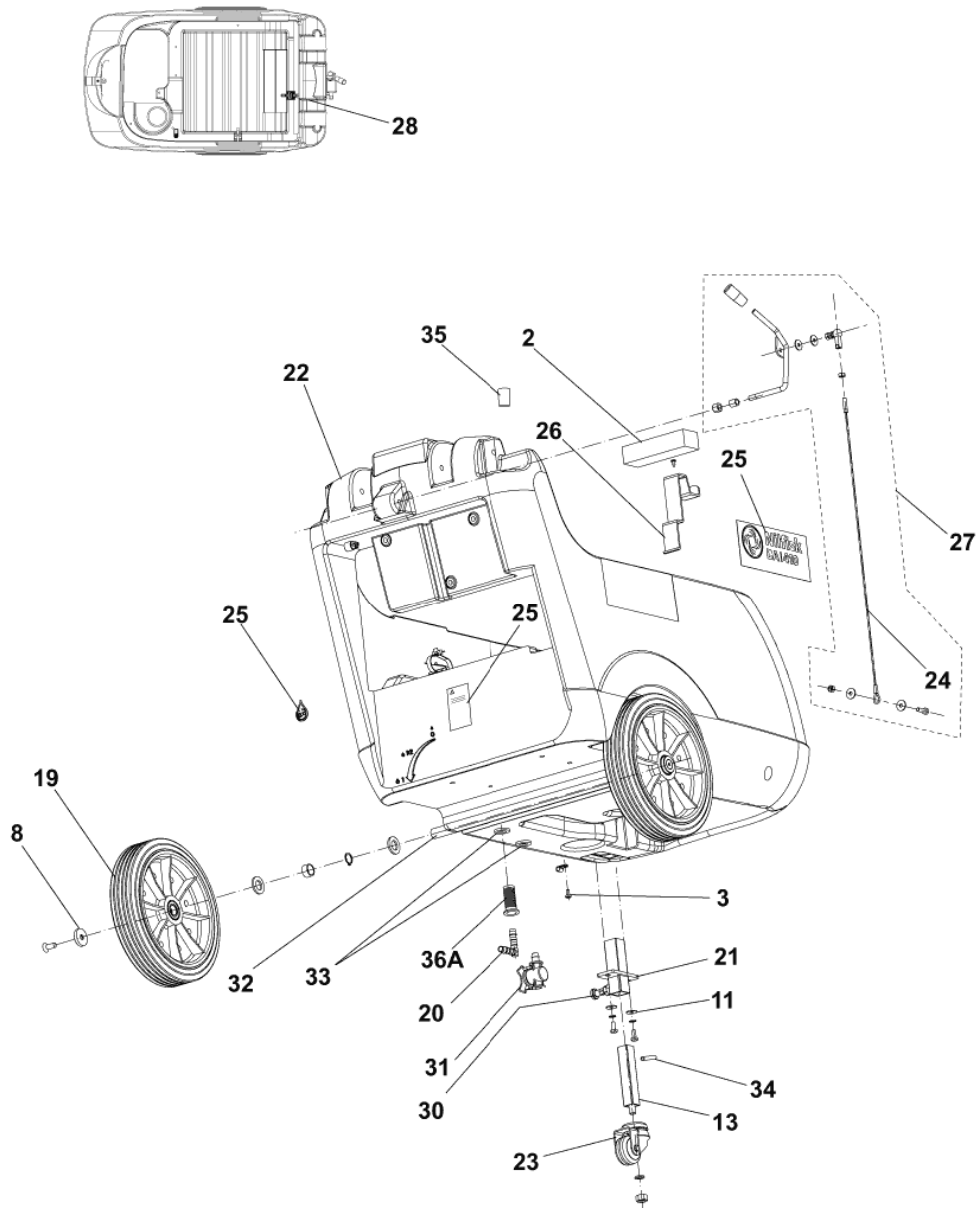
Resource notes:

Position 12: 9098231000 valid for motor kit 9098233000 Position 12: 909 5371 000 valid for motor kit 909 5713 000

Pos.	Vare-nr	Antal	Beskrivelse	Notes
00	909 5987 000	1	HARDWARE. VAC.MOTOR KIT	
05	909 5198 000	3	Gummiophæng	
06	909 5564 000	1	Isolering	
07	909 5565 000	1	Lydisolering F. Sugemotor	
08	909 5579 000	1	Slange	
11	909 5713 000	1	Sugemotor BA 410	[1]
12	909 5371 000	2	Kul, Sugemotor 410/343	
12	ZD53501A	1	CARBON BRUSH SET -3 STAGE VAC	
13	9100001348	1	Slangklem 32-52/12	
14	L08812587	1	TIE CABLE 4.8X430 WHITE	

## Part Notes:

[1] - ODM 5895



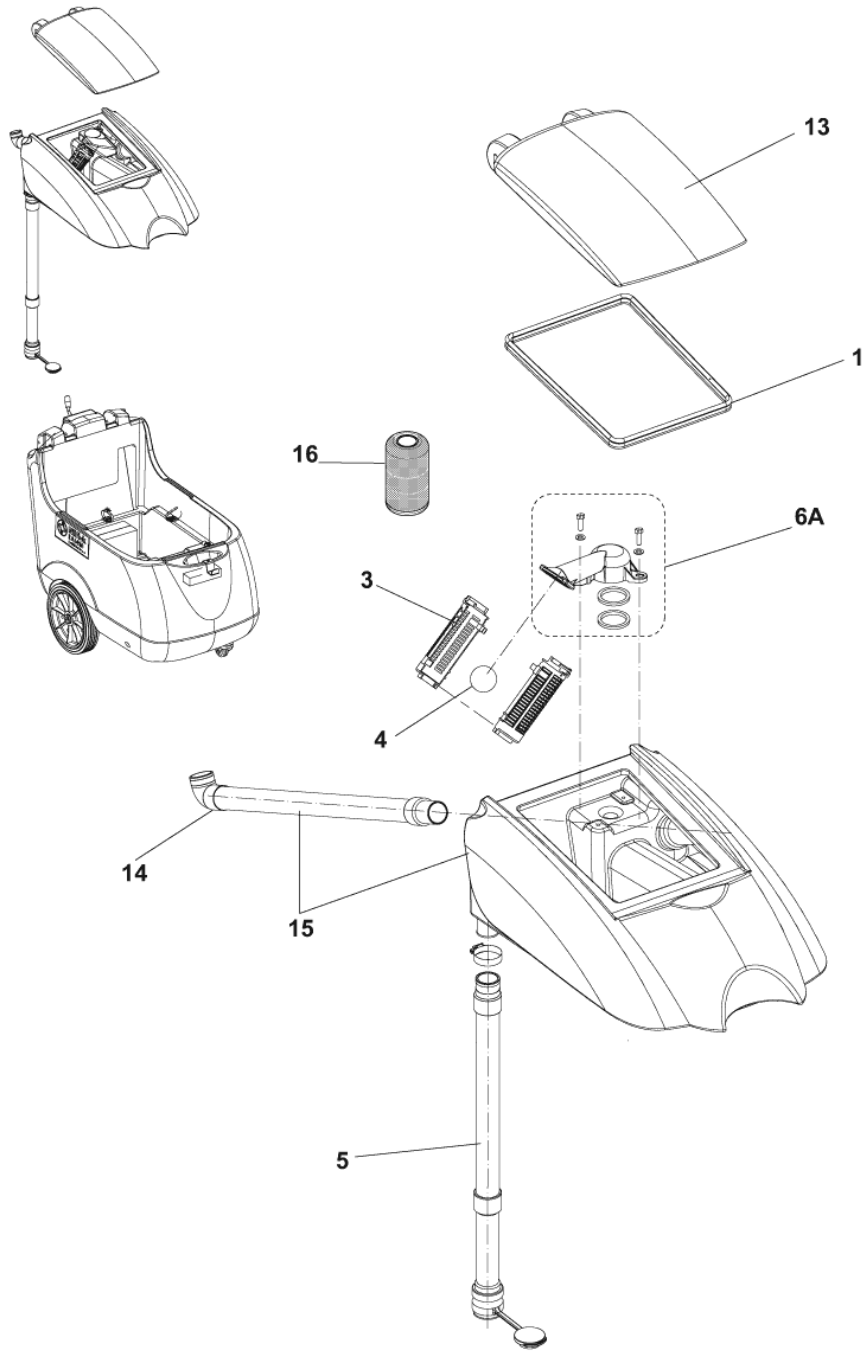
Resource notes:

When stock of Pos. 13-21-23-30-34 run out they will be replaced by Item No. 9099705000

Pos.	Vare-nr	Antal	Beskrivelse	Notes
0	909 5986 000	1	Hardware. Tank Fixing Kit	
0	9099705000	1	NÆSEHJUL KIT BA 410	[1]
0	909 6226 000	1	RUBBER SHOCK ABSORBER KIT	[2]
2	909 5674 000	1	Sponge In.Freshw.Tank	
3	L08603041	5	Skrue M5X10 F/Ca340 F/Sugemundstk.	
8	9100002136	1	WASHER COUNTERSUNK 9X30 H.6 - 2 PCS SET	
11	1466530000	1	WASHER PLAIN M6X18 ISO7093 10 PCS SET	
13	9099705000	1	NÆSEHJUL KIT BA 410	[1]
19	9099410000	2	Wheel D.250X50 Grey	[3]
20	909 5285 000	1	Bøjning 90 Gr.	
21	9099705000	1	NÆSEHJUL KIT BA 410	[1]
22	909 5551 000	1	Tank,Rentvann BA/CA 410	
23	9100000961	1	WHEEL CASTOR D.51 SS GREY PKD	[1]
24	909 5573 000	1	Kabel, Squeegeerløft	
25	9097769000	1	Decals Kit BA 410	[4]
26	909 5644 000	1	Beslag	[5]
27	909 5700 000	1	Wire,Nalløft Kit BA/CA 410	
28	1466344000	3	TIE CABLE 4.8x200 BLACK 10 PCS SET	
30	909 5641 000	1	Låsetapp,Hjul	[1]
31	909 5696 000	1	Avtappingsventil	
32	9099765000	1	HARDWARE WHEELS SHAFT KIT	
33	909 5286 000	2	Pakning	
34	9099705000	1	NÆSEHJUL KIT BA 410	[1]
35	909 6236 000	1	Gummigennemføring, Sort	
36A	9100001353	1	FILTER SOLUTION TANK PKD	[6]

## Part Notes:

- [1] - See note
- [2] - OPTION INST.INSTR.CODE 909 6227 000
- [3] - TSB IT 2007-015TSB IT 2007-015. Squeegee support, wheels and filter
- [4] - STOCK COVERS GUARANTEE
- [5] - ITEM NO LONGER AVAILABLE
- [6] - OPTION

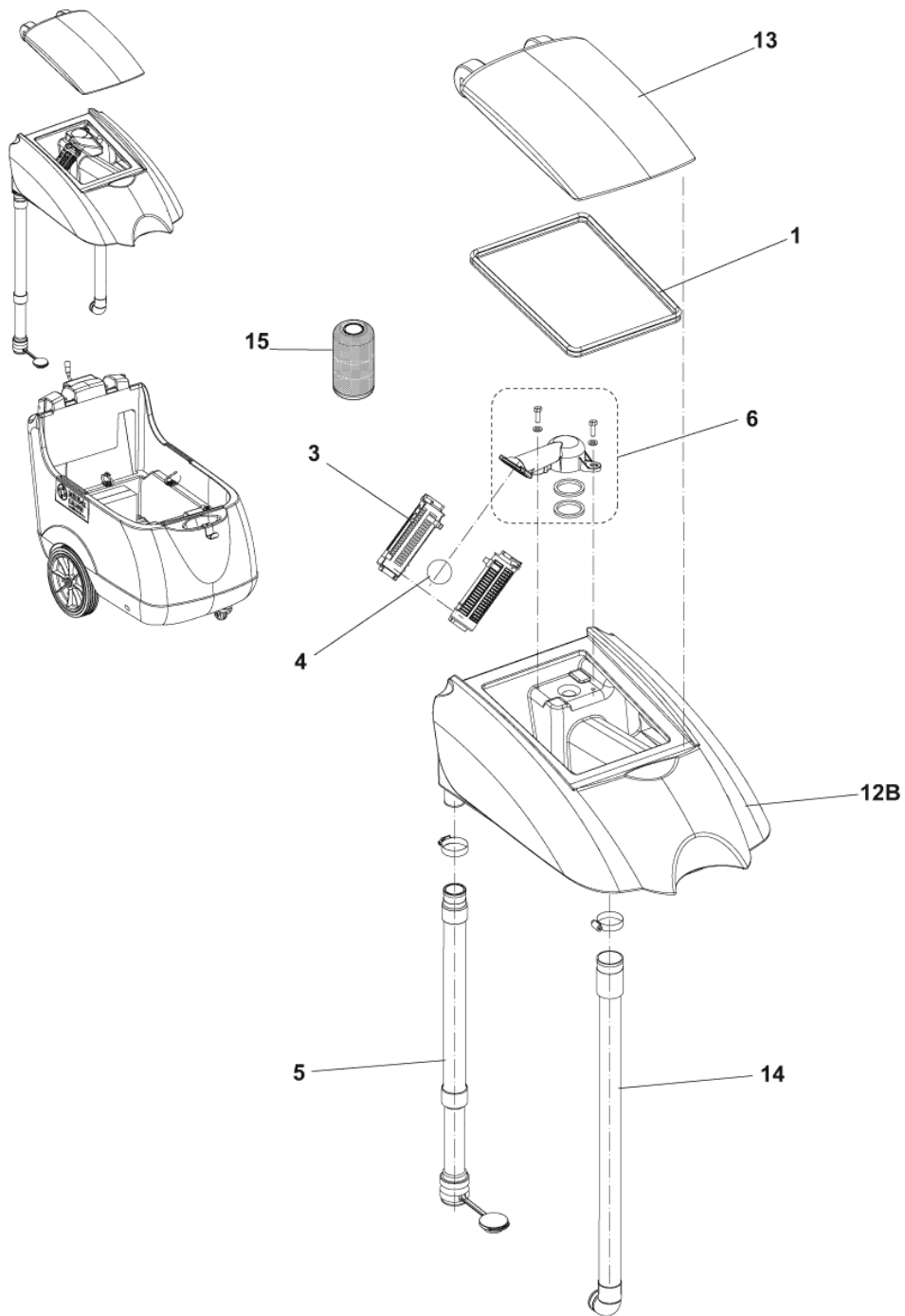


Pos.	Vare-nr	Antal	Beskrivelse	Notes
00	909 5988 000	1	HARDWARE. TANK FIXING KIT	
01	909 5716 000	1	Pakning til låg. Længde 1250mm	
03	9100000818	1	CAGE FLOAT HALF 2 PCS SET	
04	9100000817	1	BALL FLOATING PKD	
05	9099692000	1	AFTAPNINGSSLANGE SORT PKD	
06A	9100001875	1	SUPPORT FLOAT KIT	[1]
13	9100001948	1	COVER PLAST. GREY F TANK 21L SIP	
14	9100001947	1	HOSE SUCTION SQUE..850MM 90 BLACK PKD	
15	909 6061 000	1	Tank Recovery Kit	[2]
16	909 5065 000	1	Anti-skumfilter	[3]

## Part Notes:

- [1] - SEE INST. INSTR. 9100001876
- [2] - TSB IT 2006-001
- [3] - OPTION TSB IT 2008-002

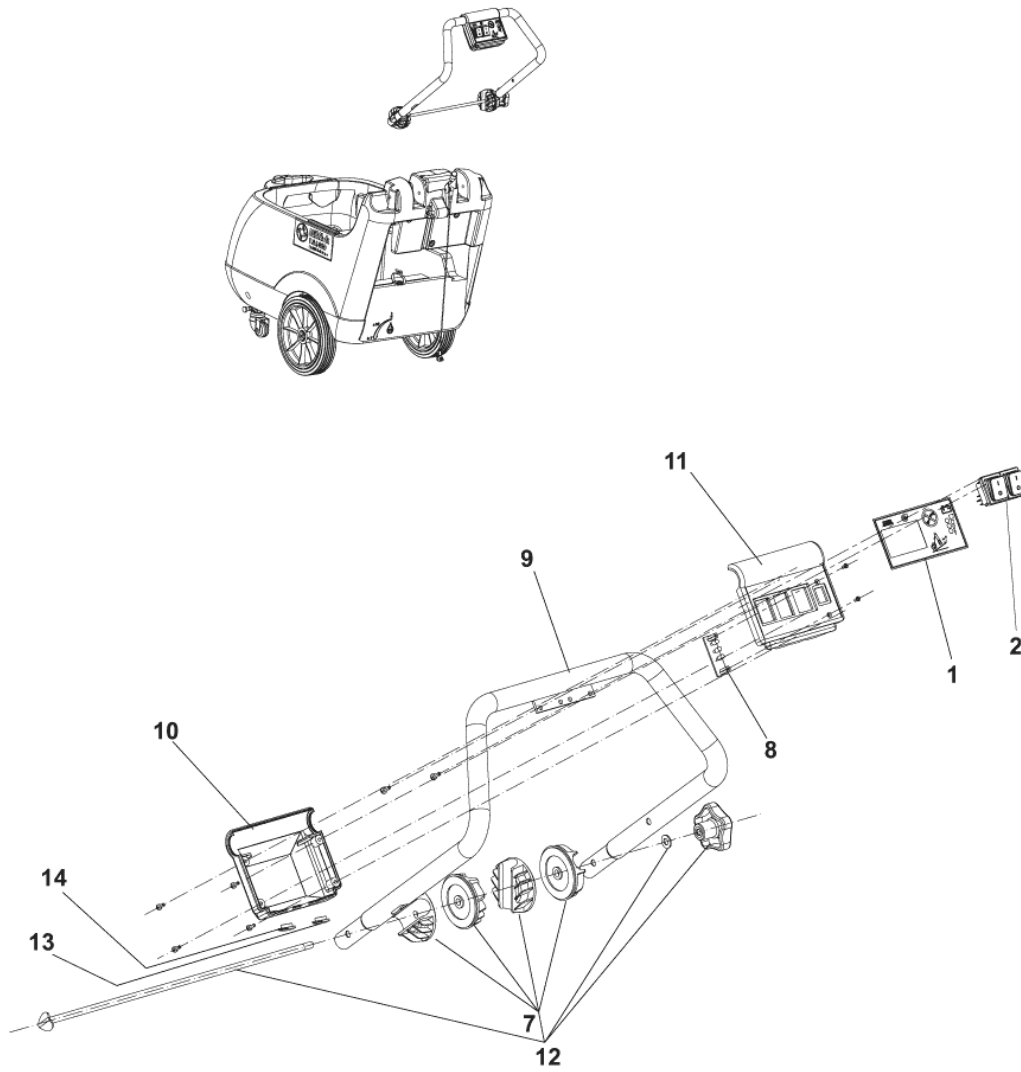




Pos.	Vare-nr	Antal	Beskrivelse	Notes
00	909 5988 000	1	HARDWARE. TANK FIXING KIT	
01	909 5716 000	1	Pakning til låg. Længde 1250mm	
03	9100000818	1	CAGE FLOAT HALF 2 PCS SET	
04	9100000817	1	BALL FLOATING PKD	
05	9099692000	1	AFTAPNINGSSLANGE SORT PKD	
06	9100001875	1	SUPPORT FLOAT KIT	[1]
12B	909 6061 000	1	Tank Recovery Kit	[2]
13	9100001948	1	COVER PLAST. GREY F TANK 21L SIP	
14	909 5578 000	1	Hose,Suction	
15	909 5065 000	1	Anti-skumfilter	[3]

## Part Notes:

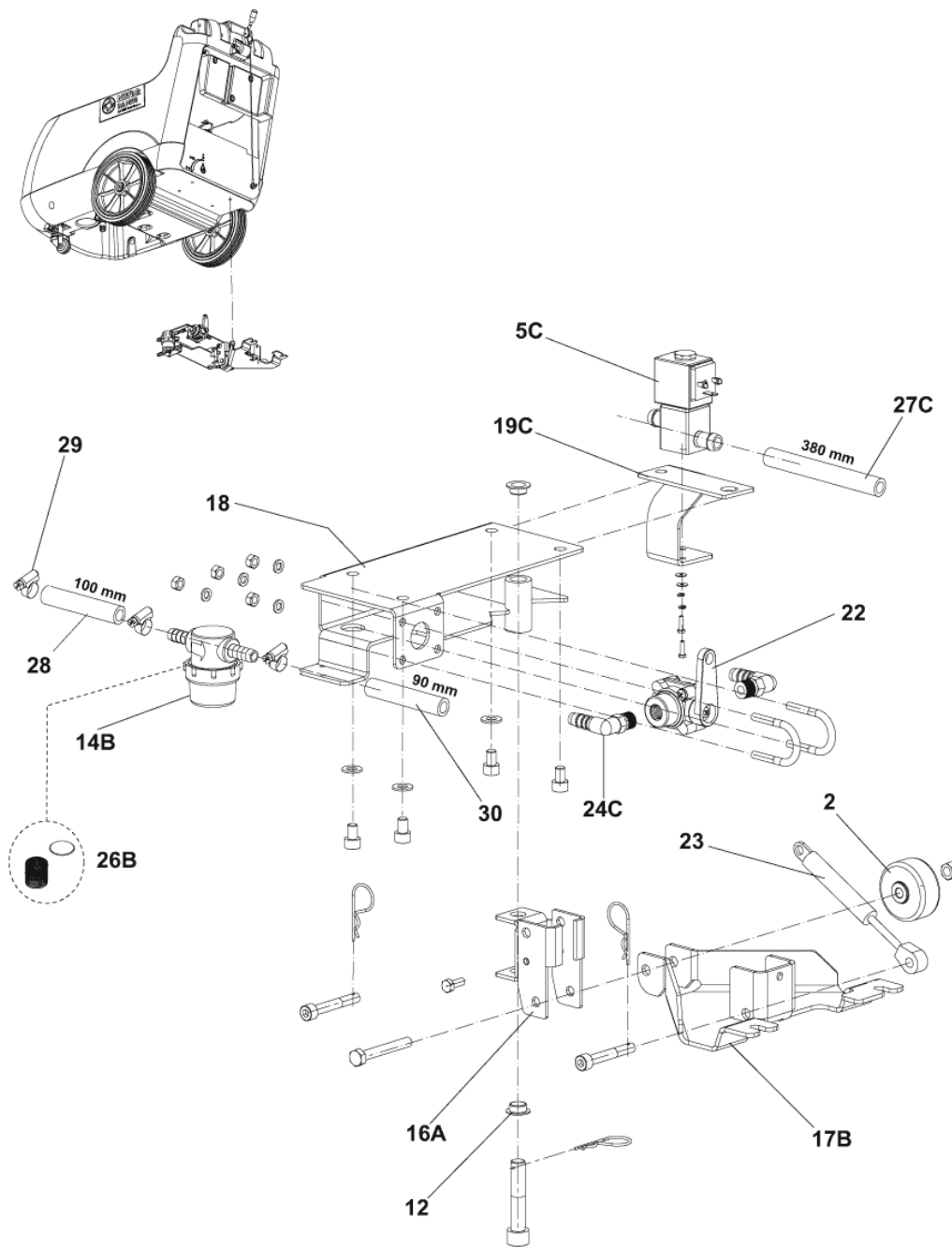
- [1] - SEE INST. INSTR. 9100001876
- [2] - TSB IT 2006-001
- [3] - OPTION TSB IT 2008-002



Pos.	Vare-nr	Antal	Beskrivelse	Notes
00	909 5995 000	1	HARDWARE. HANDLE FIX. KIT	[1]
01	909 5587 000	1	Skilt, Control Panel	
02	107404540	2	Kontakt (0-1)	
07	909 5099 000	1	Justeringssskrue Kit	
08	L08812909	1	Diodebro Ba410	
09	909 6579 000	1	Styrestang	[2]
10	909 5847 000	1	HOUSING SWITCH LOWER	[2]
11	909 5846 000	1	HOUSING SWITCH UPPER	
12	909 5701 000	1	Håndtagsregulering Kit BA/CA 410	
13	145 4260 000	1	PLUG DOME PLASTIC BLACK D.14.7	[2]
14	145 4259 000	1	Dæksel, Sort	

## Part Notes:

- [1] - GUARANTEE DATE EXPIRED
- [2] - STOCK COVERS GUARANTEE



Pos.	Vare-nr	Antal	Beskrivelse	Notes
00	909 5990 000	1	Hardware. Sol.Val.Fix.Kit	
00C	9097874000	1	CONNECTOR TYPE DIN 43650	[1]
02	9100000559	1	WHEEL D.51 GREY PKD	
05C	909 5977 000	1	Magnetventil	[2]
05C	9099423000	1	Solenoid Valve 24V Kit	[3]
05C	9099423000	1	Solenoid Valve 24V Kit	
12	146 0549 000	2	Leje Til Flange	
14B	9097166000	1	Filter Complete Kit	[4]
16A	VF85953	1	SQUEEGEE SUPPORT	[5]
17B	909 5567 000	1	Holder, Squeegee BA/Ca410	[4]
18	909 5571 000	1	Plade BA/Ca410	[6]
19C	9097866000	1	BRACKET SOLENOID VALVE	[7]
22	909 5632 000	1	"Ventil 1/4" "	
23	909 5637 000	1	Gas Fjeder	
24C	909 5651 000	2	Holder	[3]
26B	L08603893	1	Filternet+Pakn. Til 909 5151 000	[8]
27C	9097868000	1	HOSE PVC W/SPIRAL D12X18 L.380MM PKD	[3]
28	909 5026 000	1	Slange, D 10 L=100 mm	
29	145 8582 000	3	Clamp 8/ 9-16	
30	145 4154 000	1	Slange, L: 90	

## Part Notes:

[1] - STOCK COVERS GUARANTEE

See TSB IT 2008-016TSB IT 2008-016. Electrovalve

[2] - TSB IT 2008-016. Electrovalve - Before Serial No. 084834866 INST.INSTR.CODE 9097873000

[3] - TSB IT 2008-016. Electrovalve

[4] - TSB IT 2007-021. Filter modification

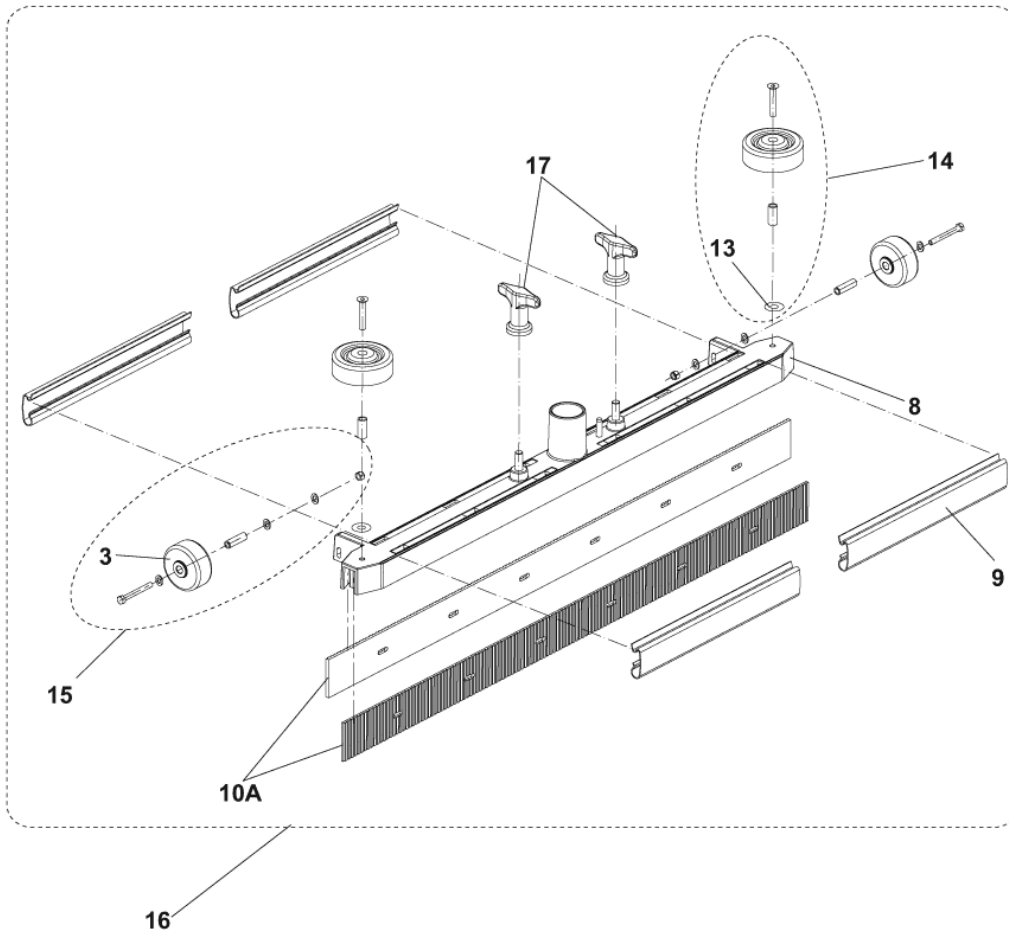
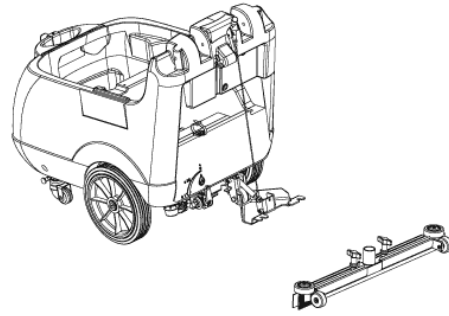
[5] - TSB IT 2007-015. Squeegee support, wheels and filter

[6] - STOCK COVERS GUARANTEE

[7] - STOCK COVERS GUARANTEE

TSB IT 2008-016. Electrovalve

[8] - See TSB IT 2007-021TSB IT 2007-021. Filter modification

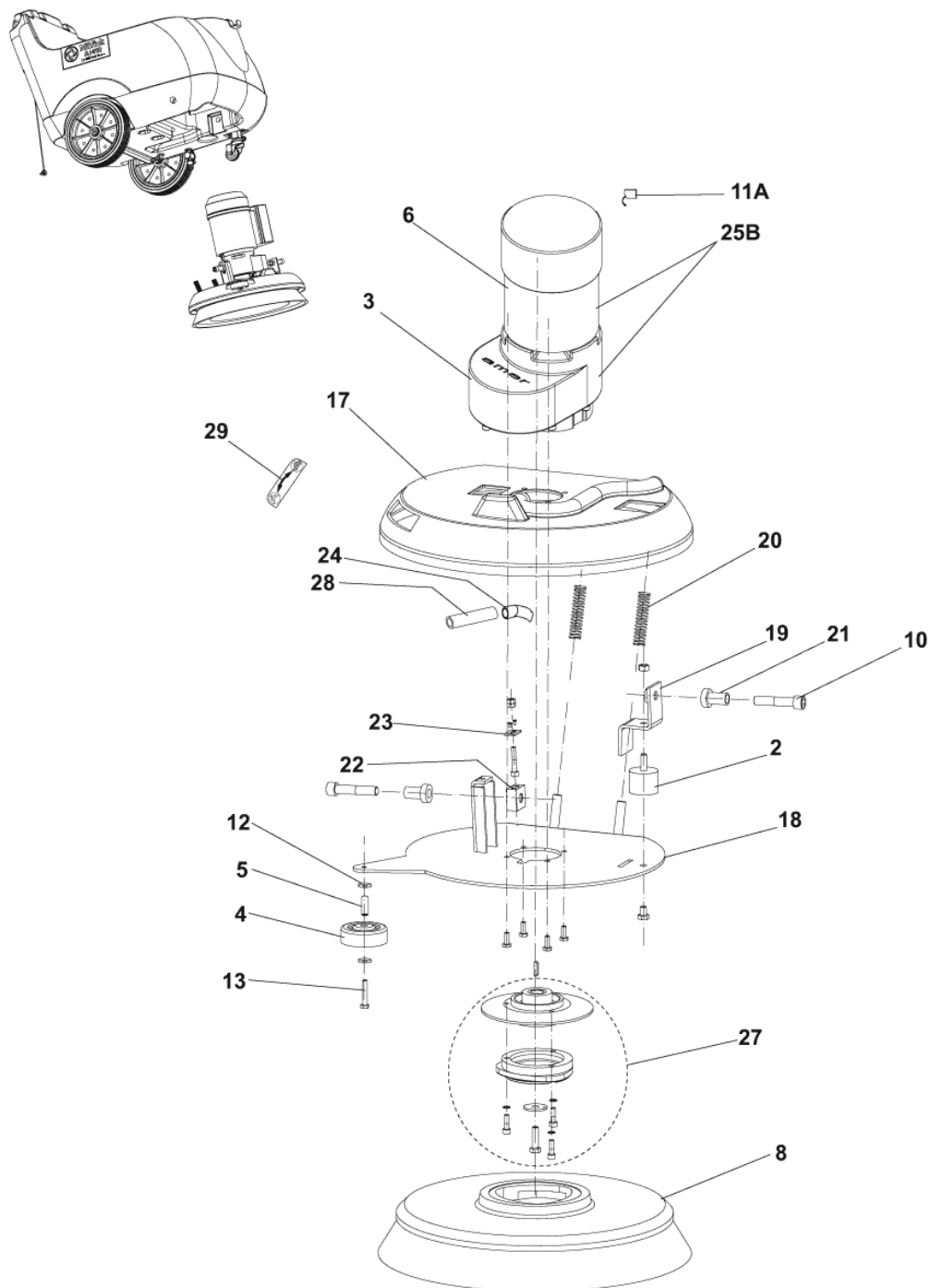


Resource notes:

A: SEE TSB IT 2008-007 TSB IT 2008-007. New PU squeegee blades kit

Pos.	Vare-nr	Antal	Beskrivelse	Notes
00	909 5991 000	1	HARDWARE.SQUEEGEE FIX.KIT	
03	9100000559	2	WHEEL D.51 GREY PKD	
08	909 5554 000	1	Sugefodsenshed	
09	9100001661	2	Sugegummi-skinne - sæt 2 stk.	
10A	9097354000	1	Sugegummi kit polyurethan 28" 720 mm	
13	L08603689	2	WASHER 6X18X1.5 UNI6593 SS	
14	L08603880	1	Stødhjulskit, Sugefod	
15	909 5703 000	1	Hjul T/Sugelæbekit BA/CA 410	
16	909 5702 000	1	Sugefod Kompl. BA/CA 410	
17	9097637000	1	Monteringskrue (2 Stk)	





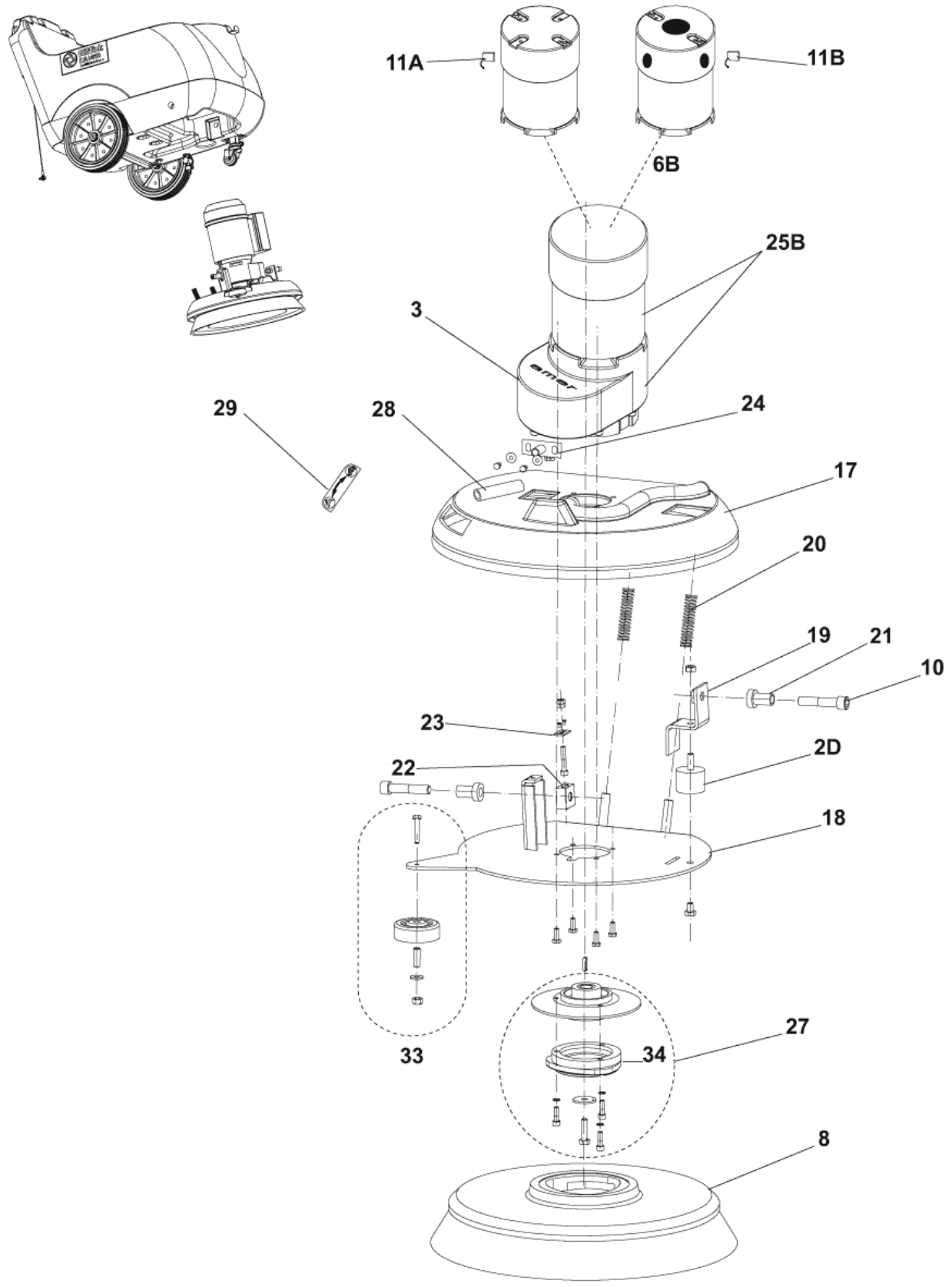
Resource notes:

Pos.11 909 5720 000 no more available see TSB IT 2011-072 TSB IT 2011-072. Reduction gear motor

Pos.	Vare-nr	Antal	Beskrivelse	Notes
00	909 5992 000	1	Hardware.Brush Fixing Kit	
00	1466147000	1	KEY 5X5X20 UNI6604A PKD	[1]
2	9100000868	1	VIBRATION DAMPING M8 60SH 2 PCS SET	
3	9099851000	1	REDUCTION GEAR	[2]
4	L08602460	1	Wheel	
5	909 5710 000	1	Afstandsskive Ca/BA 410-750	
6	9097114000	1	Motor Electric 520W 24V	[2]
8	L08812891	1	Børste Prolene 17" Ø430 mm	
10	146 2826 000	2	Skruer M12X55 Uni5931	
12	1466530000	2	WASHER PLAIN M6X18 ISO7093 10 PCS SET	
13	33023227	1	SCREW M6X35 HEX HD ISO4017 10 PCS SET	[3]
17	909 5550 000	1	Skærm	
18	909 6269 000	1	Holder For Børste	
19	909 6270 000	1	Beslag	
20	909 5558 000	2	Fjeder	
21	909 5559 000	2	Bush Flanged	
22	909 5585 000	1	Justerblok F. Børste	
23	909 5586 000	1	Plate	[3]
24	909 5594 000	1	PIPE COPPER F WATER BRUSH	[4]
25B	9099805000	1	Gearmotor 520W 24V	[2]
27	L08812589	1	Holder Polyg,W/Flange Kit	
28	909 5622 000	1	Hose	
29	9097769000	1	Decals Kit BA 410	[3]

## Part Notes:

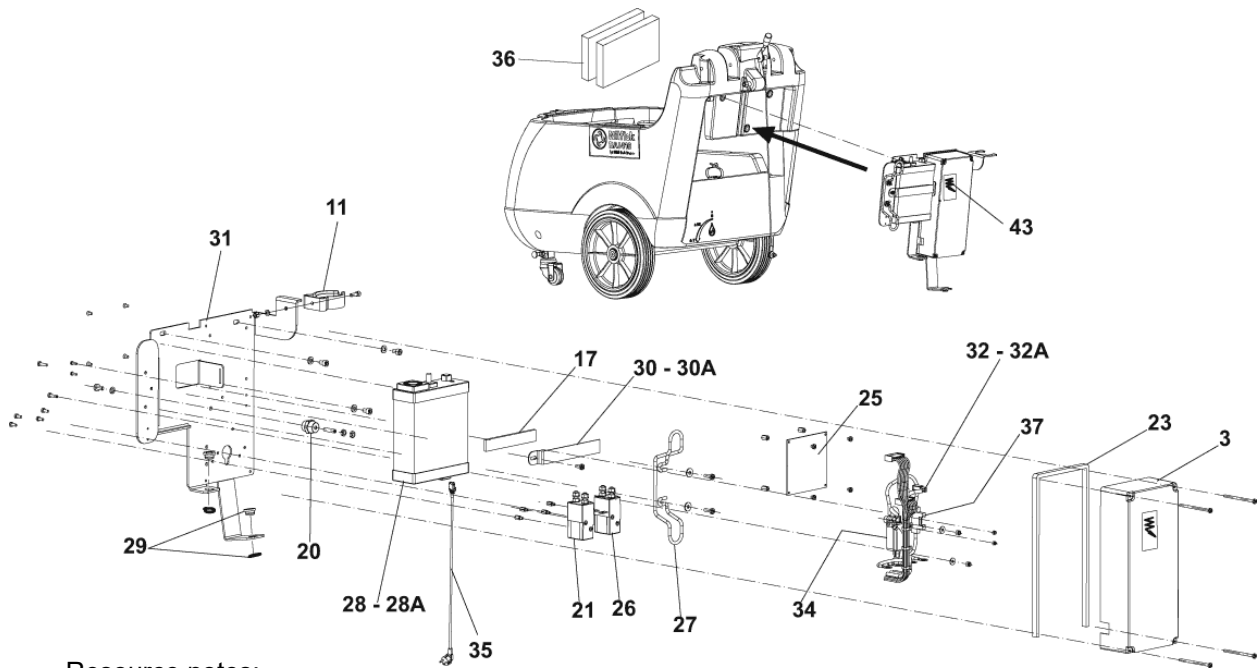
- [1] - For GEAR REDUCTION 1 19
- [2] - SEE TSB IT 2007-011
- [3] - STOCK COVERS GUARANTEE
- [4] - GUARANTEE DATE EXPIRED



Pos.	Vare-nr	Antal	Beskrivelse	Notes
00	1466147000	1	KEY 5X5X20 UNI6604A PKD	[1]
00	909 5992 000	1	Hardware.Brush Fixing Kit	
02D	9100000868	1	VIBRATION DAMPING M8 60SH 2 PCS SET	
03	9099851000	1	REDUCTION GEAR	[2]
06B	9097114000	1	Motor Electric 520W 24V	[2]
08	L08812891	1	Børste Prolene 17" Ø430 mm	
10	146 2826 000	2	Skrue M12X55 Uni5931	
11A		1	Pos.11A 909 5720 000 no more available see TSB IT 20011-072	
11B	909 6893 000	1	Carbon Brush Kit -4Pcs-	[3]
17	909 5550 000	1	Skærm	
18	909 6269 000	1	Holder For Børste	
19	909 6270 000	1	Beslag	
20	909 5558 000	2	Fjeder	
21	909 5559 000	2	Bush Flanged	
22	909 5585 000	1	Justerblok F. Børste	
23	909 5586 000	1	Plate	[4]
24	909 6217 000	1	HOSE COPPER	[4]
25B	9099805000	1	Gearmotor 520W 24V	[2]
27	L08812589	1	Holder Polyg,W/Flange Kit	
28	909 5622 000	1	Hose	
29	9097769000	1	Decals Kit BA 410	[4]
33	909 5397 000	1	Støddæmper Hjul Kit BA 650/750/600S/610D	
34	L08812480	1	Polyg. Holder Ba450/530	[4]

## Part Notes:

- [1] - For GEAR REDUCTION 1 19
- [2] - TSB IT 2007-011
- [3] - FOR NEW MOTOR
- [4] - STOCK COVERS GUARANTEE



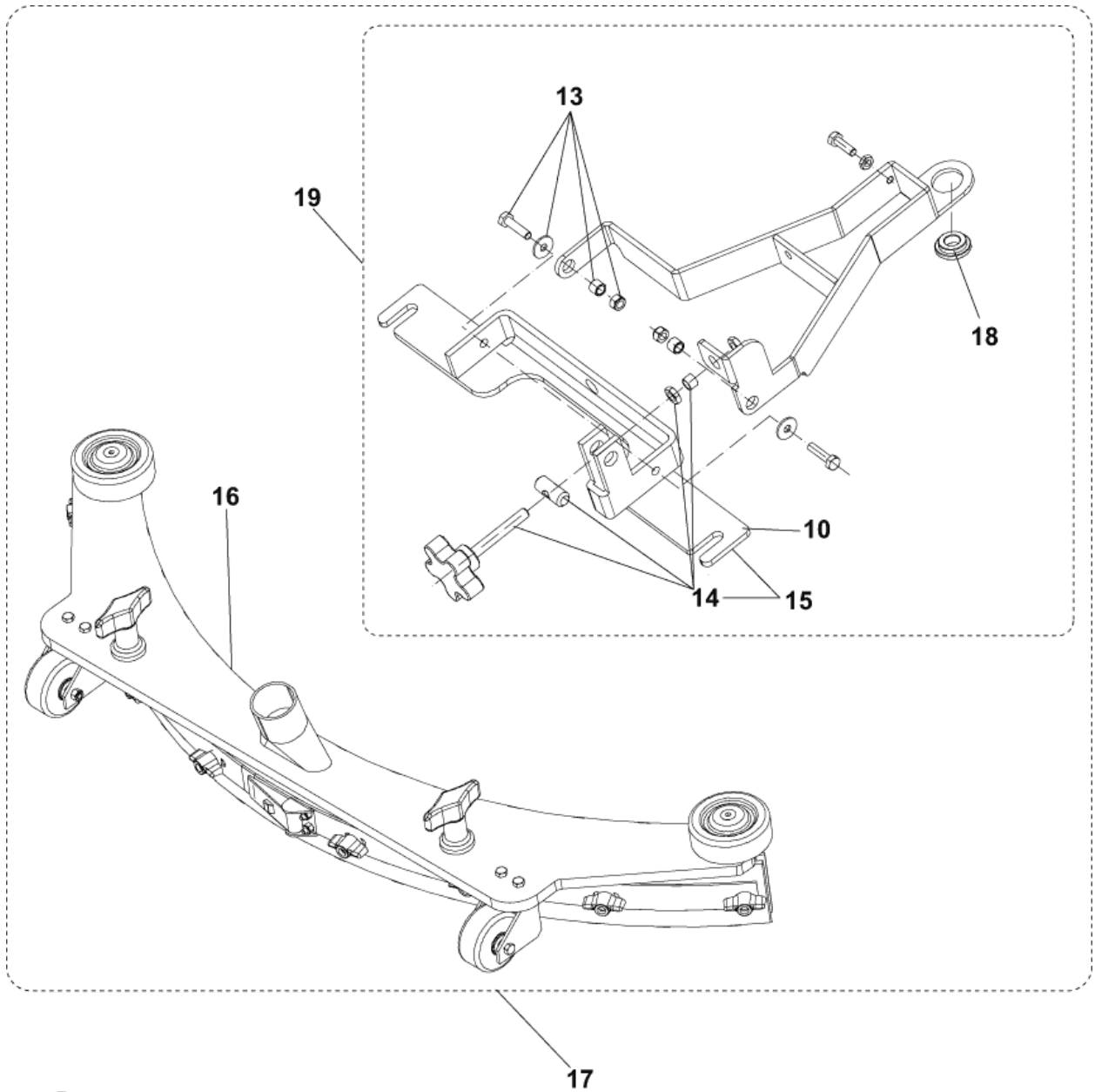
Resource notes:

30A: SEE TSB IT 2006-002 32A: SEE TSB IT 2006-002 0A: 909 5982 000 see TSB 2006-002 TSB IT 2006-002.  
New Battery Charger

Pos.	Vare-nr	Antal	Beskrivelse	Notes
00	9097971000	1	HARNESS MACHINE W/CHARGER	[1]
00	145 3824 000	1	Sikring 40A,Bladsikring	
00	80564310	2	Batteri 12V 76A GEL monoblok	
00	909 5675 000	1	HARNESS MACHINE W/O CHAR	[2]
00	145 1248 000	1	CAP D. 7.9	[3]
00	909 5994 000	1	HARDWARE. WIRING FIX. KIT	[4]
00	9100000290	1	Indbygget oplader kit	[5]
00	9097590000	1	Batteri Kabel	
00	9100001953	1	HARNESS BATTERY KIT	
00	80564200	2	Batteri 12V 50A GEL monoblok	
00	145 0227 000	1	Sikring 40 A, Autosikring	
00	909 6446 000	1	FAN COOLING	[5]
00	9100000290	1	Indbygget oplader kit	[5]
00	909 5595 000	1	HARNESS MACHINE W CHARG.	[2]
00	145 9852 000	1	Sikring 5A	
00	9097972000	1	HARNESS MACHINE W/O CHARGER	[6]
03	9099432000	1	COVER ELECTRICAL BOX KIT	[7]
11	909 6380 000	1	Slangeklemme Kit	
17	146 0656 000	1	GASKET ADHESIVE 20X5 L.125MM	[4]
20	146 0708 000	1	INSULATOR M6 WHITE	
21	909 5127 000	1	Relæ, BA 410 (Børste)	
23	146 2118 000	1	GASKET RUBBER L.750MM PKD	
25	9099967000	1	CARD ELECTRONIC KIT	
26	146 0719 000	1	Relæ, Ba410	
27	1466317000	1	SUPPORT CABLE KIT	
28	9100000290	1	Indbygget oplader kit	[5]
28A	909 6428 000	1	Lader Indb. Kpl Kit 24V 8A 100-230V	[8]
29	909 6062 000	2	Bøsning Kit	
30	909 6429 000	1	Bracket	[9]
31	909 5788 000	1	Plate,Bak,BA 410	[4]
32	909 6426 000	1	Kort,Elktronic	[9]
34	145 8046 000	1	Säkeringshållare	
35	9096914000	1	Cable Extension Us Plug	
35	1466318000	1	CABLE EXTENSION UK PLUG L.2000MM SIP	
35	9100000790	1	CABLE EXTENSION EU PLUG L.1000MM PKD	
36	L08812670	2	RESTRAINT. BATTERY	
37	1467035000	1	HOLDER FUSE THERMOPL.UL 94-V0 SIP	
43	9097769000	1	Decals Kit BA 410	[4]

## Part Notes:

- [1] - FROM S.NO.084835196  
STOCK COVERS GUARANTEE
- [2] - BEFORE S.NO.084835196  
STOCK COVERS GUARANTEE
- [3] - FROM S.NO.055121383  
GUARANTEE DATE EXPIRED
- [4] - STOCK COVERS GUARANTEE
- [5] - FROM S.NO.055121383
- [6] - FROM S.NO.084835196  
GUARANTEE DATE EXPIRED
- [7] - FROM S.NO.055121383  
CLARITY PROJECT
- [8] - BEFORE S.NO.055121383  
STOCK COVERS GUARANTEE
- [9] - FROM S.NO.055121383  
STOCK COVERS GUARANTEE



Resource notes:

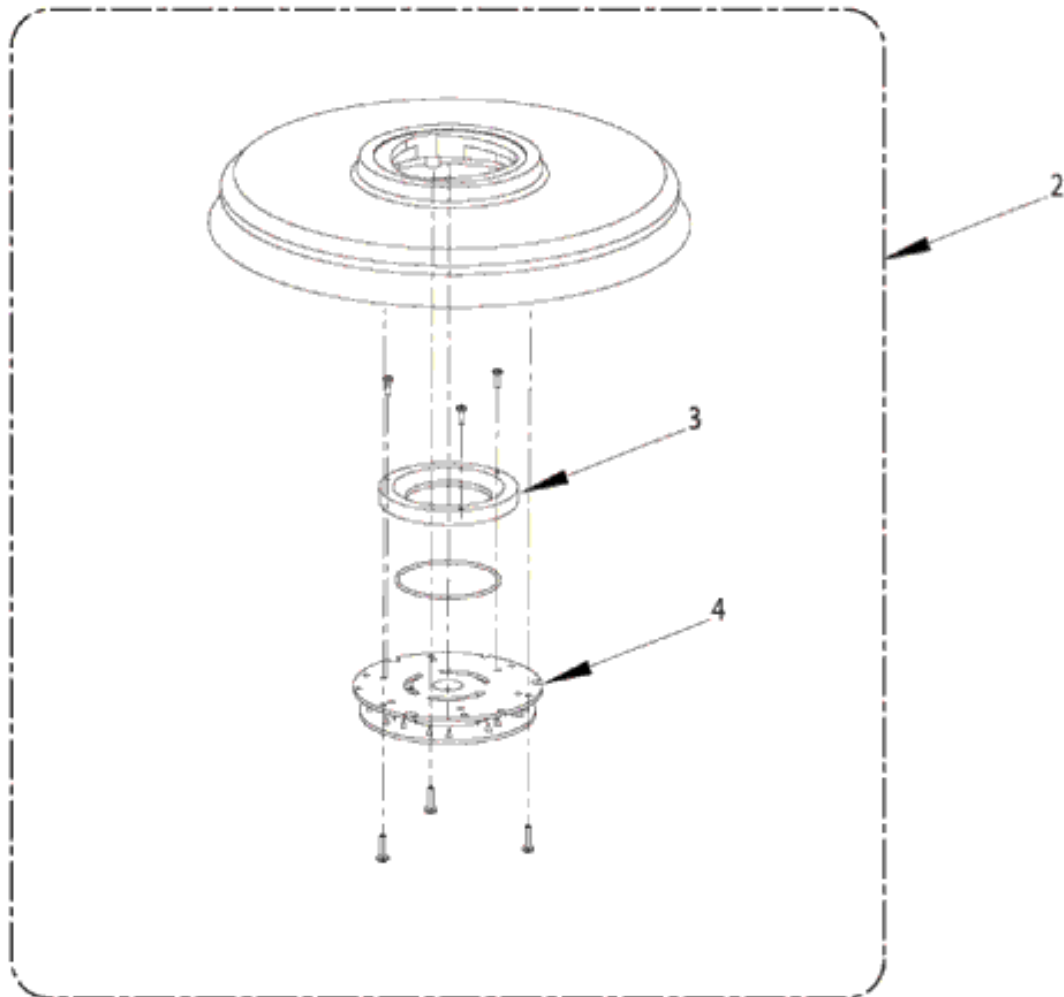
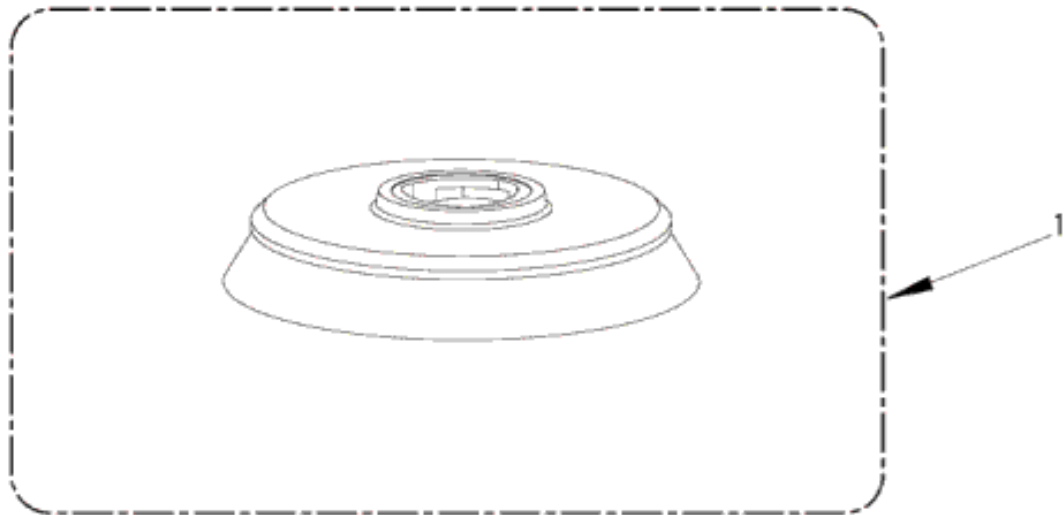
POSITION 0: 909 6483 000 - 909 6484 000 INCLUDED IN THE KIT 909 6860 000

Pos.	Vare-nr	Antal	Beskrivelse	Notes
10	L08812952	1	HOLDER SQUEEGEE	[1]
13	L08812521	1	Fixture F. Nozzle Holder Ba450/530	[1]
14	L08812518	1	Adjustm. Screw Set Ba450/530	
15	L08603876	1	Kit, Sugefodsholder Ca/BA 430S/510S	[1]
16	L08603878	1	Squeegee Komp.Ba450/530	
17	909 5916 000	1	Buet Squeegee Kit	[2]
18	909 5915 000	1	SPACER GALV. F SQUEEGEE BEND	[1]
19	909 6047 000	1	SUPPORT SQUEEGEE KIT	[1]

## Part Notes:

- [1] - STOCK COVERS GUARANTEE
- [2] - INST.INSTR.CODE 909 5917 000





Pos.	Vare-nr	Antal	Beskrivelse	Notes
00	9100001353	1	FILTER SOLUTION TANK PKD	
00	909 5065 000	1	Anti-skumfilter	
01	909 5692 000	1	Børste Mid Grit 180 17" Ø430 mm	
01	909 5694 000	1	Børste naturhår 17" Ø430 mm	
01	L08812891	1	Børste Prolene 17" Ø430 mm	
01	909 5693 000	1	Børste Prolite 17" Ø430 mm	
01	909 5691 000	1	Børste Midlite Grit 240 17" Ø430 mm	
02	9100001897	1	Rondelholder 17" Ø430 mm	[1]
03	L08603966	1	Ring Nylon	
04	56505195	1	Rondellås Lynkobling	
05	9100002050	1	Rondelholder 17" Ø432 mm Velcro	[2]

## Part Notes:

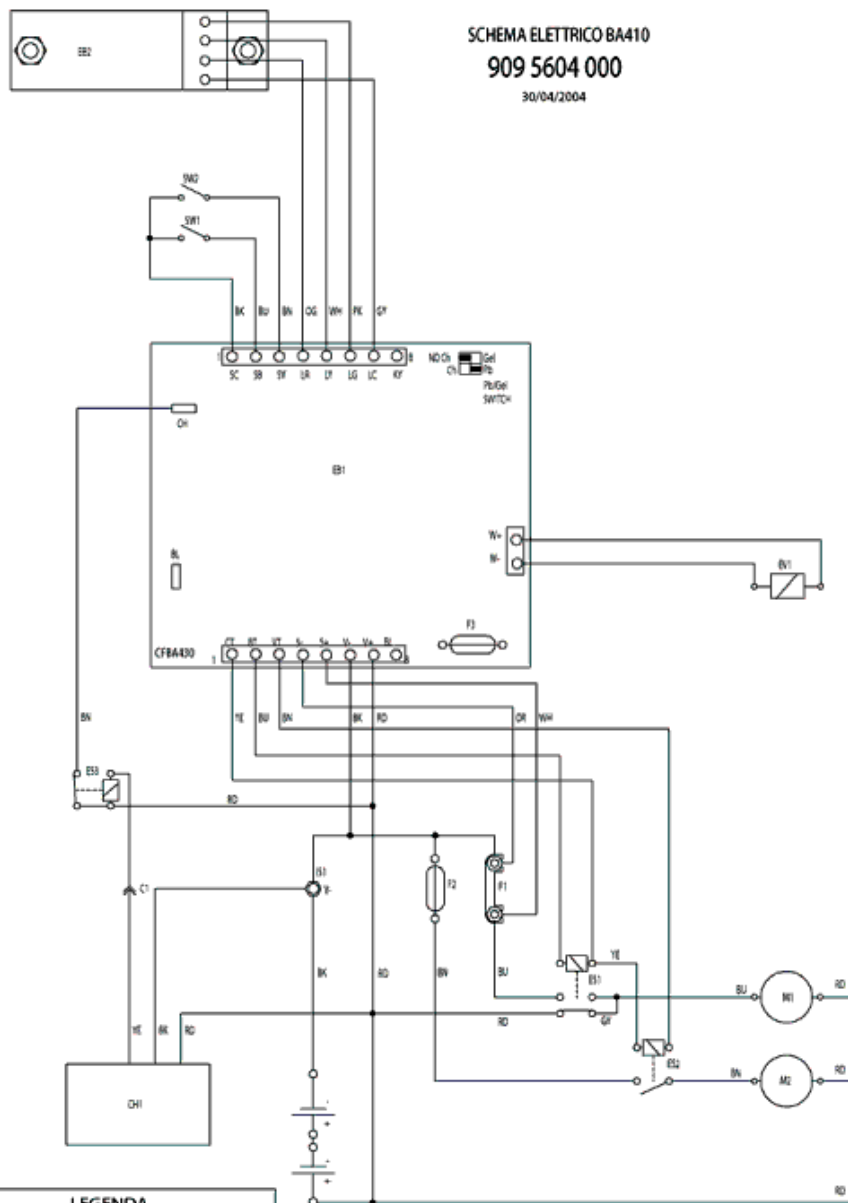
- [1] - See TSB-FC-2016-012  
[2] - Not Shown - See TSB-FC-2016-012



Pos.	Vare-nr	Antal	Beskrivelse	Notes
01	9097166000	1	Filter Complete Kit	
02	L08603893	1	Filternet+Pakn. Til 909 5151 000	
03	909 5716 000	1	Pakning til l�g. L�ngde 1250mm	
04	9097354000	1	Sugegummi kit polyurethan 28" 720 mm	
06	9100001661	2	Sugegummi-skinne - s�t 2 stk.	
07	L08812891	1	B�rste Prolene 17" �430 mm	
10	9099692000	1	AFTAPNINGSSLANGE SORT PKD	
11	909 5578 000	1	Hose,Suction	
12	9100001947	1	HOSE SUCTION SQUEE..850MM 90 BLACK PKD	
13	909 5579 000	1	Slange	
14	145 0227 000	1	Sikring 40 A, Autosikring	
15	145 3824 000	1	Sikring 40A,Bladsikring	
16	145 9852 000	1	Sikring 5A	
19	9099423000	1	Solenoid Valve 24V Kit	
20	9099423000	1	Solenoid Valve 24V Kit	
21	909 5977 000	1	Magnetventil	
22	909 5651 000	1	Holder	
23	909 5696 000	1	Avtappingsventil	
24	ZD53501A	1	CARBON BRUSH SET -3 STAGE VAC	
24	909 5371 000	2	Kul, Sugemotor 410/343	
25	9100000959	1	Motor vacuum kit	
26	909 5371 000	2	Kul, Sugemotor 410/343	
27	909 5573 000	1	Kabel, Squeegeerl�ft	
28	909 5700 000	1	Wire,Nall�ft Kit BA/CA 410	
29	909 5564 000	1	Isolering	
30	909 5565 000	1	Lydisolering F. Sugemotor	
31	9099805000	1	Gearmotor 520W 24V	
32	909 6893 000	1	Carbon Brush Kit -4Pcs-	
35	9100000868	1	VIBRATION DAMPING M8 60SH 2 PCS SET	
36	909 5558 000	2	Fjeder	
37	909 5397 000	1	St�dd�mper Hjul Kit BA 650/750/600S/610D	
38	9099410000	2	Wheel D.250X50 Grey	
39	909 5099 000	1	Justerings skrue Kit	
40	909 5701 000	1	H�ndtagsregulering Kit BA/CA 410	
41	909 5554 000	1	Sugefodsenshed	
42	909 5702 000	1	Sugefod Kompl. BA/CA 410	
43	909 5703 000	2	Hjul T/Sugel�bekit BA/CA 410	
44	L08603880	2	St�dhjulskit, Sugefod	
45	909 6062 000	1	B�sning Kit	
46	107404540	1	Kontakt (0-1)	
47	9099967000	1	CARD ELECTRONIC KIT	
48	909 6428 000	1	Lader Indb. Kpl Kit 24V 8A 100-230V	[1]
49	9100000290	1	Indbygget oplader kit	
50	146 0719 000	1	Rel�, Ba410	
51	909 5127 000	1	Rel�, BA 410 (B�rste)	

## Part Notes:

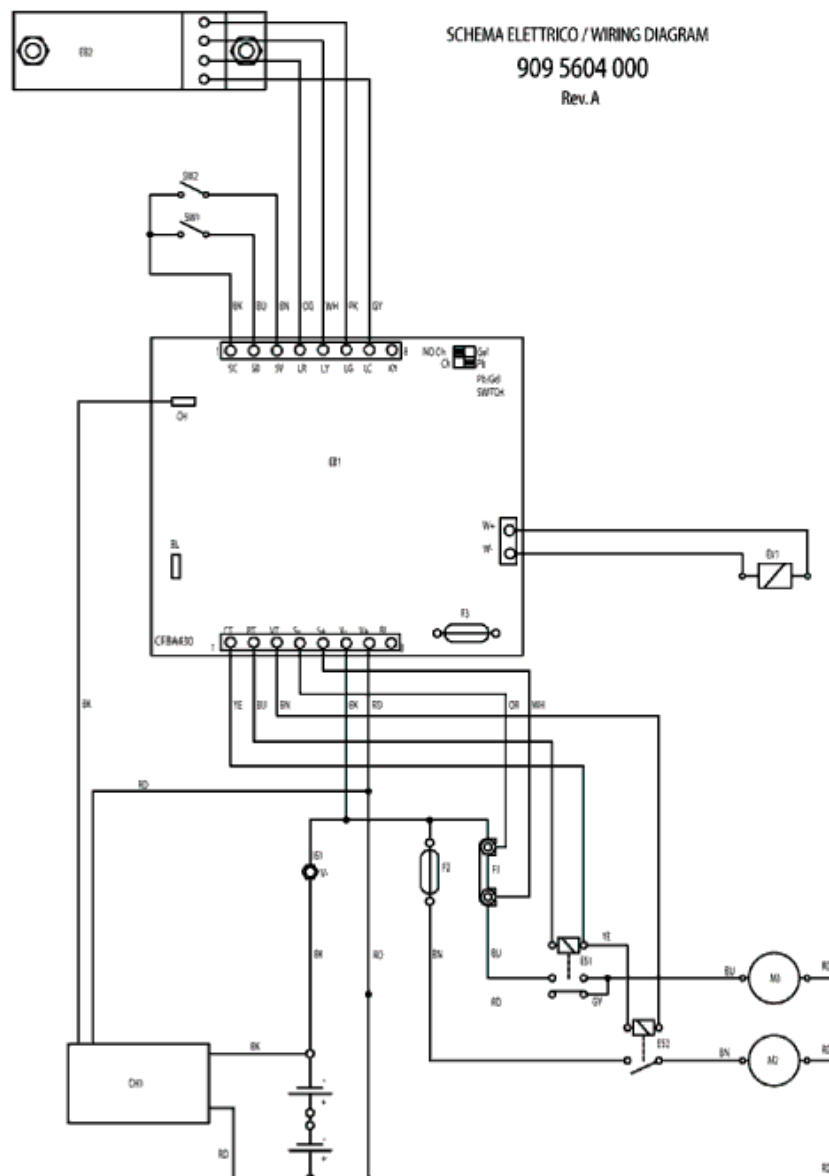
[1] - STOCK COVERS GUARANTEE



LEGENDA	
(Ch)	BATTERY CHARGER (OPT)
C1	CHARGER OUTPUT CONNECTOR (OPT)
EB1	ELECTRONIC BOARD (CFBA430)
EB2	LED BOARD (CFBALED)
ES1	BRUSH EL SWITCH
ES2	VACUUM EL SWITCH
ES3	CHARGER OUTPUT RELAIS (OPT)
EV1	WATER ELECTRIC VALVE
F1	BRUSH FUSE (40A)
F2	VACUUM FUSE (40A)
F3	WATER VALVE & ELECTR. FUSE (5A)
IS1	NEGATIVE INSULATOR
M1	BRUSH MOTOR
M2	VACUUM MOTOR
SW1	BRUSH SWITCH
SW2	VACUUM SWITCH

---

Pos.	Vare-nr	Antal	Beskrivelse	Notes
------	---------	-------	-------------	-------



LEGENDA	
CH	BATTERY CHARGER (OPT)
C1	CHARGER OUTPUT CONNECTOR (OPT)
EB1	ELECTRONIC BOARD (CFBA430)
EB2	LED BOARD (CFBALED)
ES1	BRUSH EL. SWITCH
ES2	VACUUM EL. SWITCH
EV1	WATER ELECTRIC VALVE
F1	BRUSH FUSE (40A)
F2	VACUUM FUSE (40A)
F3	WATER VALVE & ELECTR. FUSE (5A)
IS1	NEGATIVE INSULATOR
M1	BRUSH MOTOR
M2	VACUUM MOTOR
SB1	BRUSH SWITCH
SB2	VACUUM SWITCH

COLORS CODES		
BK	BLACK	nero
BU	BLUE	azzurro
BN	BROWN	marone
GN	GREEN	verde
GR	GREY	grigio
OG	ORANGE	arancio
PK	PINK	rosa
RD	RED	rosso
VT	VIOLET	viola
YE	YELLOW	giallo

---

Pos.	Vare-nr	Antal	Beskrivelse	Notes
------	---------	-------	-------------	-------



