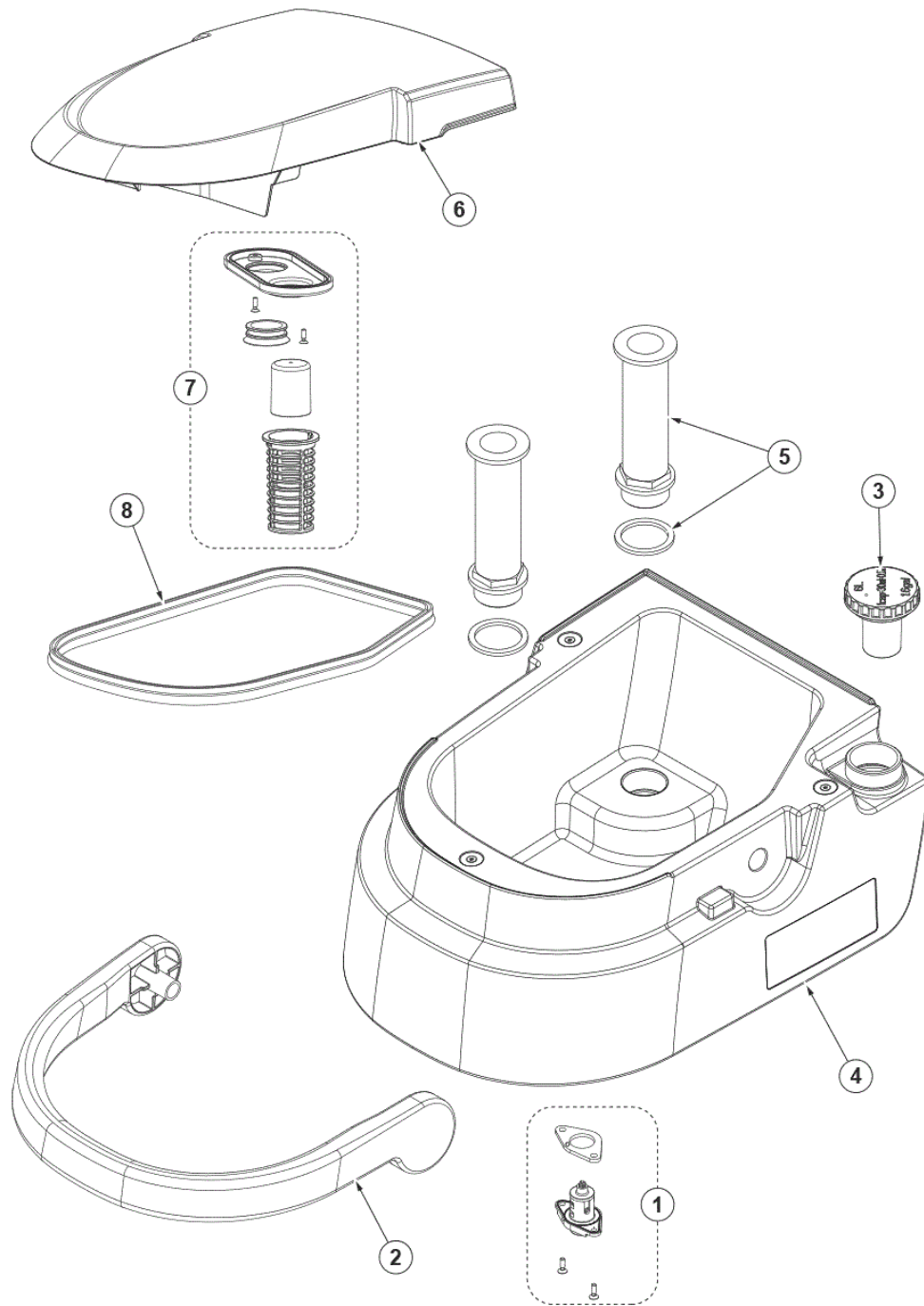


PARTS LIST

2017.08.01

TABLE OF CONTENTS

PL SOLUTION AND RECOVERY TANK.....	1
PL BRUSH MOTOR.....	3
PL CHASSIS - FIXING AND COVER.....	5
PL CHASSIS - VACUUM AND REAR WHEELS.....	7
PL CHASSIS - SOLUTION AND VAC CHAMBER.....	9
PL CHASSIS - PEDAL WHEELS.....	11
PL HANDLE BAR.....	13
PL WIRING DIAGRAM.....	15
PL RECOMMENDED PARTS - ACCESSORIES.....	17
PL GENERAL VIEW.....	19



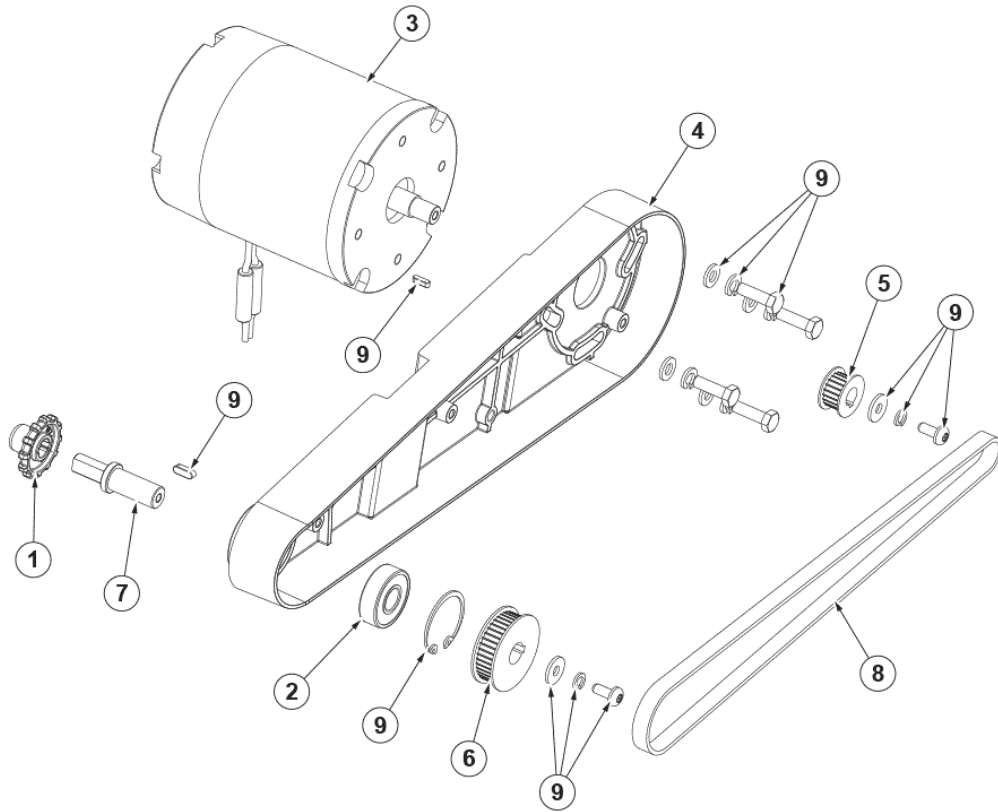
PL SOLUTION AND RECOVERY TANK

SCRUBTEC 334C B NIL

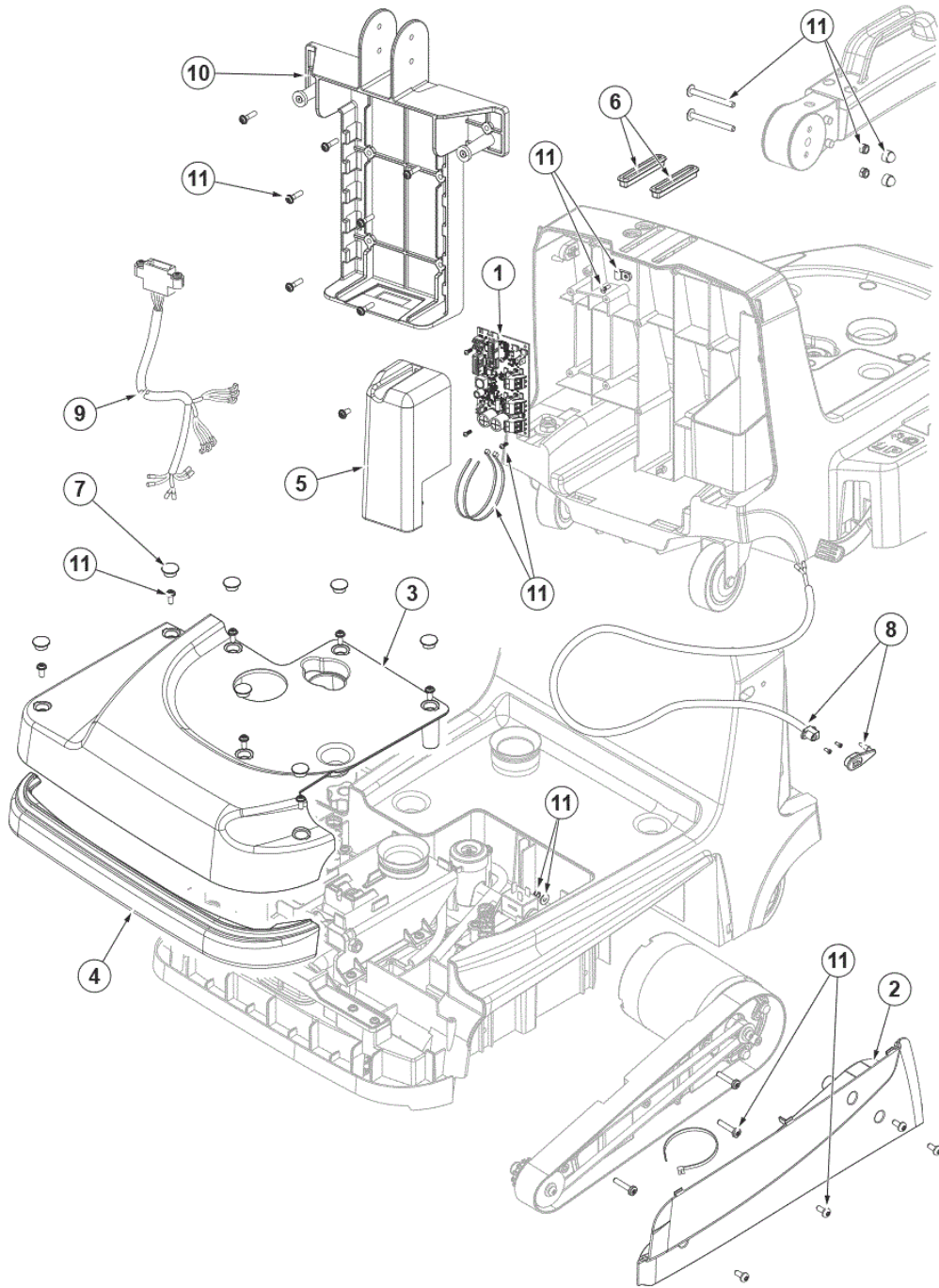
2017.05.24

2017.05.24

Pos.	Vare-nr	Antal	Beskrivelse	Notes
1	9100002029	1	VALVE F SOLUTION TANK KIT	
2	9100002012	1	HANDLE PLAST. BLACK F TANK SIP	
3	9100001990	1	CAP PLAST. F TANK SIP	
4	9100002031	1	TANK WATER PLAST. 6 LT BLUE KIT	
5	9100002032	2	PIPE PLAST. F TANK KIT	
6	9100002034	1	COVER TANK PLAST. BLUE KIT	
7	9100002035	1	CAGE FLOAT PLAST. BLACK KIT	
8	9100001993	1	GASKET BULB REINFORCED L.1030MM SIP	



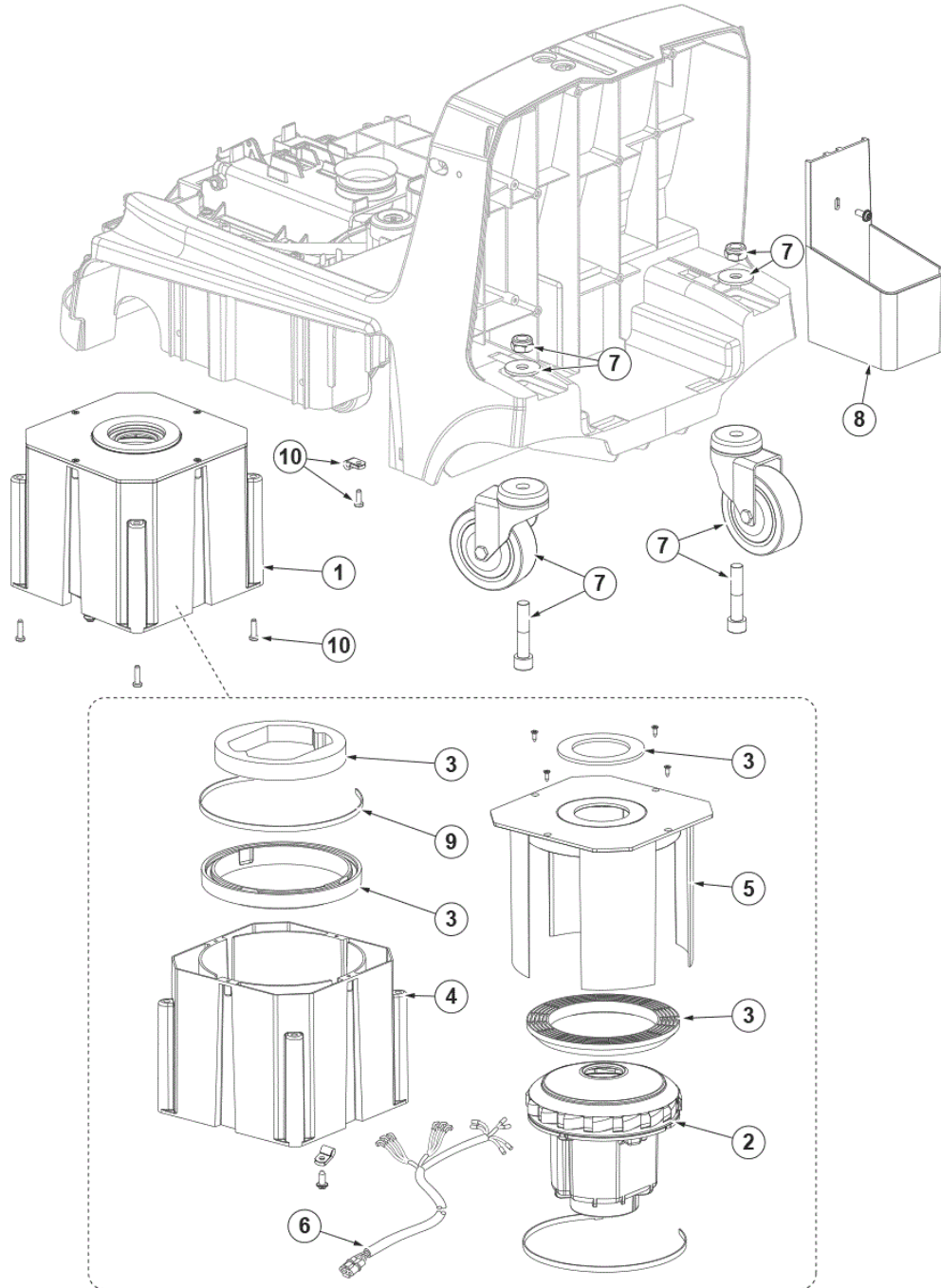
Pos.	Vare-nr	Antal	Beskrivelse	Notes
1	9100001957	1	HUB TRACTION BRUSH PLAST. SIP	
2	9100002018	1	BEARING BALL 6201 2RS1 SIP	
3	9100001966	1	MOTOR BRUSH 180W 36V SIP	
4	9100001967	1	SUPPORT ALU F BRUSH MOTOR SIP	
5	9100001968	1	PULLEY TIMING BELT ALU HTD 20 3M 09 SIP	
6	9100001969	1	PULLEY TIMING BELT ALU HTD 40 3M 09 SIP	
7	9100001970	1	SHAFT GALV. F BRUSH SIP	
8	9100001971	1	BELT TIMING HTD/OMEGA 669 3M 09 SIP	
9	9100002036	1	HARDWARE BRUSH MOTOR KIT	



Pos.	Vare-nr	Antal	Beskrivelse	Notes
1	9100002260	1	CONTROLLER MAIN MACH.P24 PROGR. SIP	[1]
2	9100002011	1	CASING BELT PROTECTION PLAST. BLACK SIP	
3	9100002010	1	CASING UPPER PLAST. BLACK F CHASSIS SIP	
4	9100001988	1	BUMPER FRONT PLAST. SIP	
5	9100001991	1	COVER PLAST.F CONTROLLER MAIN MACH. SIP	
6	9100001994	2	GASKET RUBBER HANDLE FIXING SIP	
7	9100002019	1	CAP PLAST. D.13.25XD.18 BLACK 10 PCS SET	
8	9100002201	1	HARNESS BATTERY CHARGER KIT	[2]
9	9100002038	1	HARNESS BATTERY KIT	
10	9100002039	1	HANDLE FIXING KIT	
11	9100002040	1	HARDWARE CHASSIS KIT	

Part Notes:

- [1] - See TSB-FC-2017-038
- [2] - SEE INST. INSTR. 9100002252



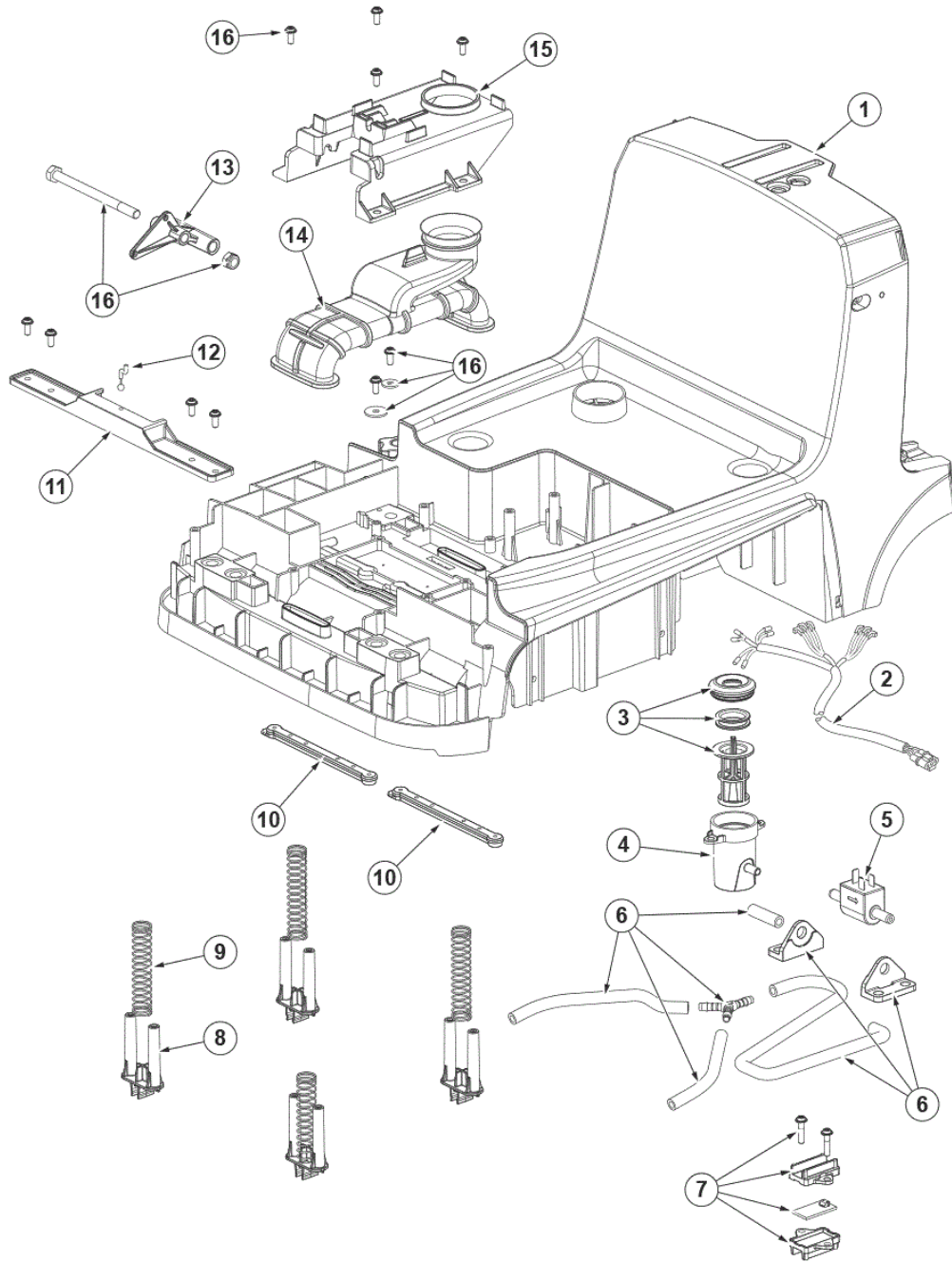
PL CHASSIS - VACUUM AND REAR WHEELS

SCRUBTEC 334C B NIL

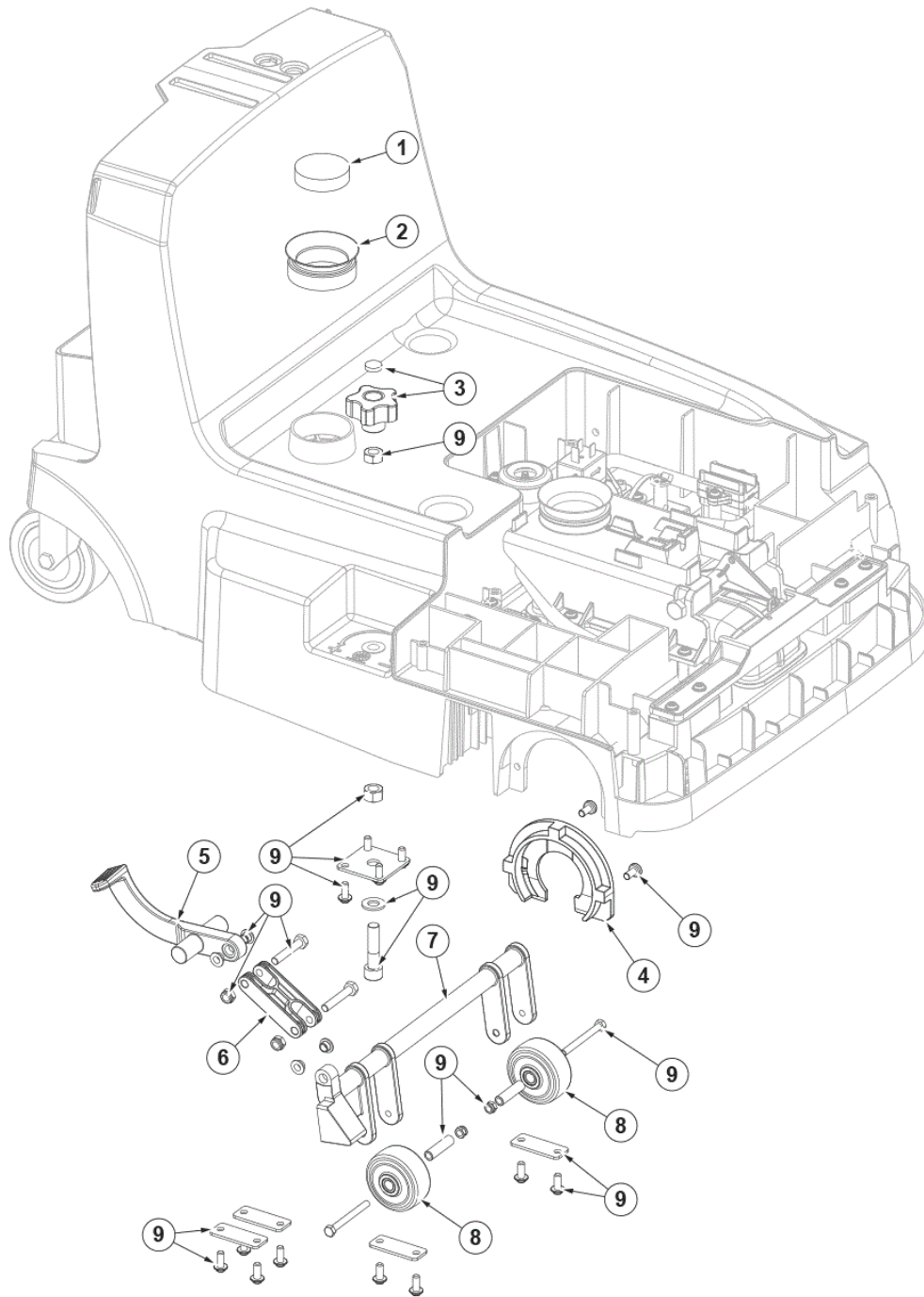
2017.05.24

2017.05.24

Pos.	Vare-nr	Antal	Beskrivelse	Notes
1	9100002041	1	MOTOR VACUUM 36V 200W KIT	
2	9100001987	1	MOTOR VACUUM 36V 200W SIP	
3	9100002042	1	SEALINGS MOTOR VACUUM KIT	
4	9100001983	1	SUPPORT EXT. PLAST. F VAC. MOTOR KIT	
5	9100001989	1	SUPPORT INT. PLAST. F VAC. MOTOR SIP	
6	9100001996	1	HARNESS VACUUM MOTOR SIP	
7	9100002045	1	WHEELS CASTOR D.75 KIT	
8	9100001992	1	CONTAINER PLAST. F BATTERY CHARGER SIP	
9	1466337000	1	TIE CABLE 4.8X430 WHITE 2 PCS SET	
10	9100002046	1	HARDWARE VACUUM SYSTEM KIT	



Pos.	Vare-nr	Antal	Beskrivelse	Notes
1	9100002009	1	CHASSIS PLAST. BLACK SIP	
2	9100001995	1	HARNES WATER PUMP SIP	
3	9100002047	1	FILTER PLAST. F WATER PUMP KIT	
4	9100001997	1	SUPPORT PLAST. F WATER FILTER SIP	
5	9100001981	1	PUMP WATER 24V 18W 21L/H PKD	
6	9100002048	1	HOSES KIT	
7	9100002049	1	SENSOR CAPACITIVE KIT	
8	9100001977	4	HOLDER SQUEEGEE PLAST. SIP	
9	9100001984	4	SPRING COMPRESS. D.E.17.6 WIRE D.1.2 SIP	
10	9100001975	2	DISPENSER WATER SPRAY SOFT PLAST. SIP	
11	9100001978	1	PLATE ALU SQUEEGEE LIFTER SIP	
12	9100001980	1	HOOK METAL F FRONT SQUEEGEE LIFT. SIP	
13	9100001979	1	ROD LIFTING SQUEEGEE PLAST. SIP	
14	9100001974	1	CHAMBER VACUUMING RUBBER SIP	
15	9100001976	1	SUPPORT PLAST. F VAC. CHAMBER SIP	
16	9100002044	1	HARDWARE SOLUTION VAC CHAMBER KIT	



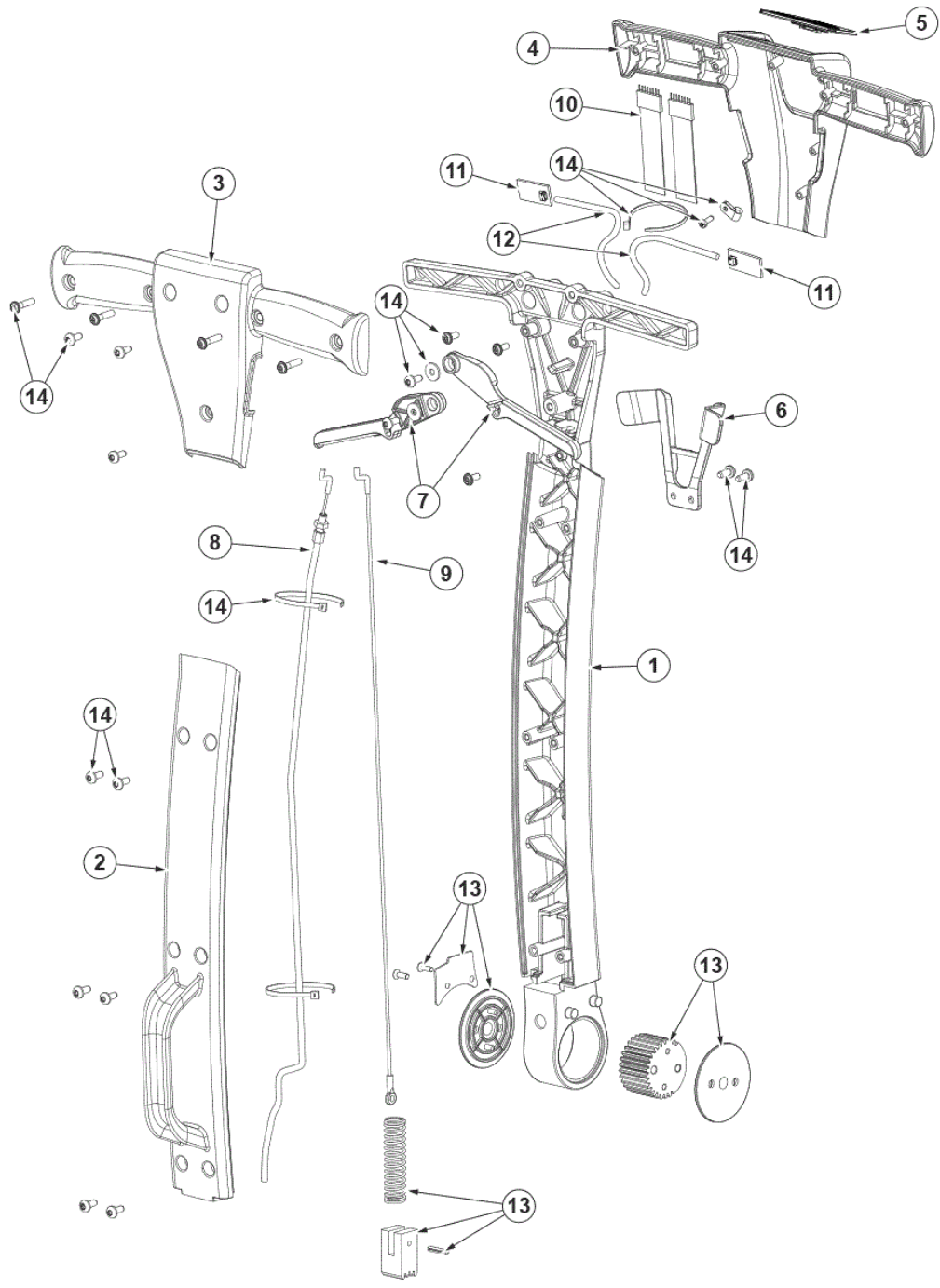
PL CHASSIS - PEDAL WHEELS

SCRUBTEC 334C B NIL

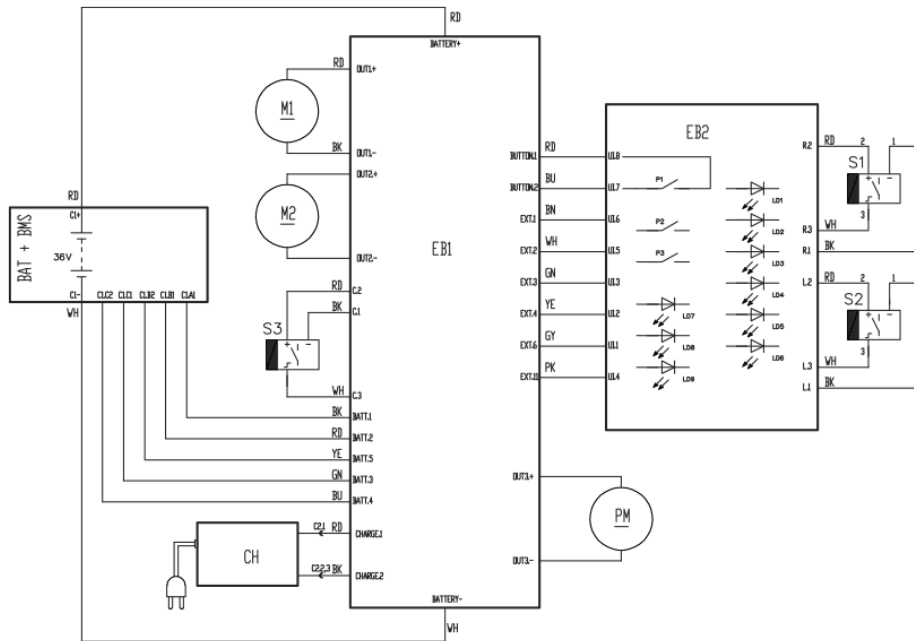
2017.05.24

2017.05.24

Pos.	Vare-nr	Antal	Beskrivelse	Notes
1	9100001278	1	FILTER VACUUM MOTOR PKD	
2	9100001958	1	GASKET PKD	
3	33022889	1	KNOB KIT	
4	9100001973	1	SUPPORT ALU F BRUSH HOOKING SIP	
5	9100001982	1	LEVER PLAST. F PEDAL SIP	
6	9100001962	1	PEDAL ALU F MACHINE PARKING SIP	
7	9100001961	1	SUPPORT ALU F FIXED WHEELS SIP	
8	9100000559	2	WHEEL D.51 GREY PKD	
9	9100002043	1	HARDWARE PEDAL WHEELS KIT	



Pos.	Vare-nr	Antal	Beskrivelse	Notes
1	9100001999	1	HANDLE BAR ALU SIP	
2	9100002015	1	COVER PLAST. BLUE F HANDLE SIP	
3	9100002014	1	COVER LOWER PLAST. BLUE F HANDLE SIP	
4	9100002013	1	COVER UPPER PLAST. BLUE F HANDLE SIP	
5	9100001985	1	CONTROLLER USER INTERFACE SIP	
6	9100002005	1	LOCK LEVER PLAST. SIP	
7	9100002003	2	LEVER ALU F HANDLE ADJUST. PKD	
8	9100002002	1	CABLE LIFTING SQUEEGEE SIP	
9	9100001998	1	CABLE HANDLE ADJUSTING SIP	
10	9100001986	1	HARNESS HANDLE BAR SIP	
11	9100002016	2	SENSOR CAPACITIVE SIP	
12	9100002006	2	HARNESS HANDLE BAR SENSOR SIP	
13	9100002020	1	HANDLE LOCK KIT	
14	9100002021	1	HARDWARE HANDLE BAR KIT	



PL WIRING DIAGRAM

SCRUBTEC 334C B NIL

2016.09.12

2017.03.15

Pos.	Vare-nr	Antal	Beskrivelse	Notes
BAT	9100002070	1	Batteri LI 36V 10S4P	
C1	9100002038	1	HARNES BATTERY KIT	
CH	9100002058	1	CHARGER BATTERY LI 100-240V 1.25A	
EB1	9100002260	1	CONTROLLER MAIN MACH.P24 PROGR. SIP	
EB2	9100001985	1	CONTROLLER USER INTERFACE SIP	
M1	9100001966	1	MOTOR BRUSH 180W 36V SIP	
M2	9100001987	1	MOTOR VACUUM 36V 200W SIP	
PM	9100001981	1	PUMP WATER 24V 18W 21L/H PKD	
S1	9100002016	1	SENSOR CAPACITIVE SIP	
S2	9100002016	1	SENSOR CAPACITIVE SIP	
S3	9100002049	1	SENSOR CAPACITIVE KIT	

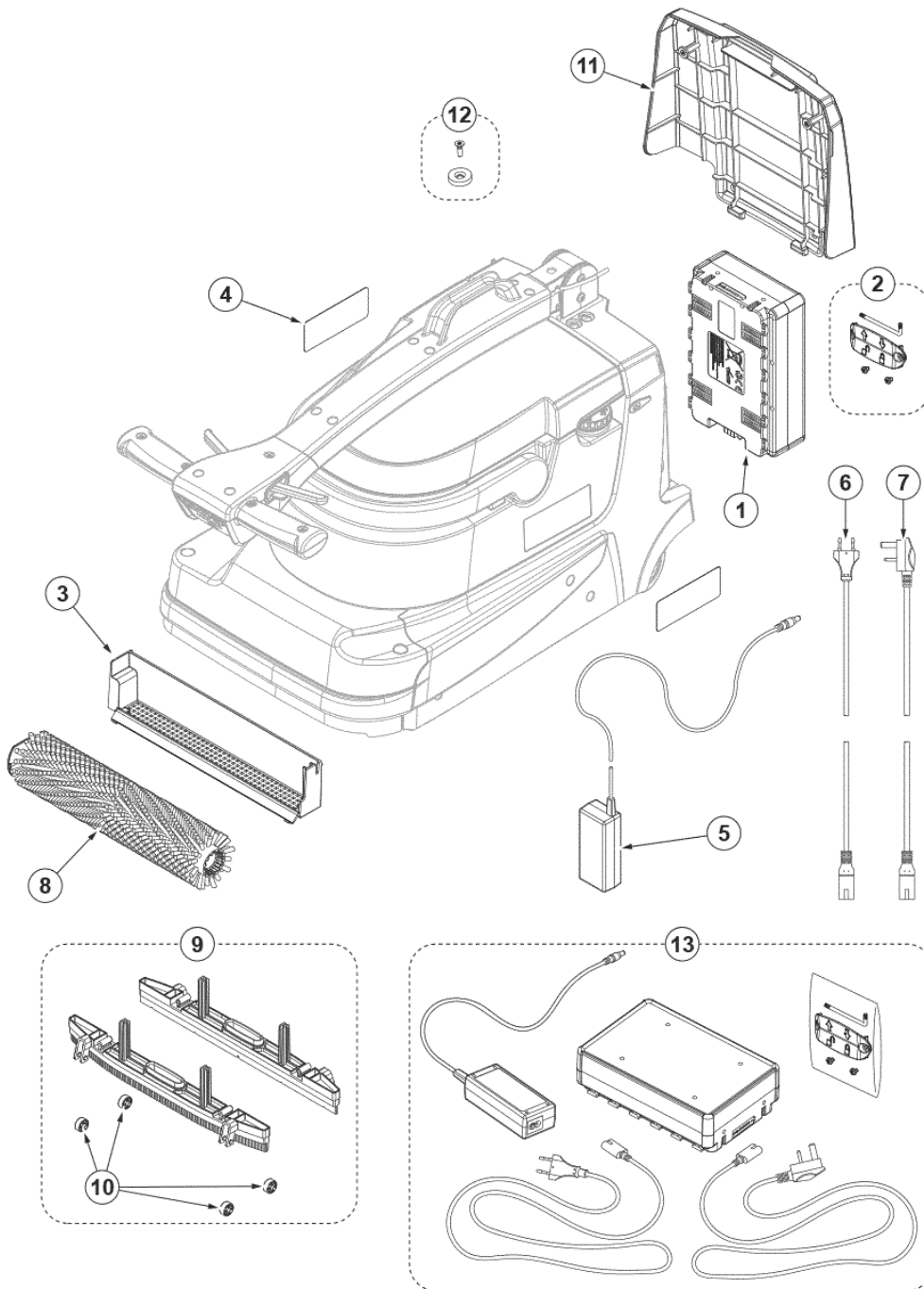
PL RECOMMENDED PARTS - ACCESSORIES

SCRUBTEC 334C B NIL

2016.09.12

2017.03.15

Pos.	Vare-nr	Antal	Beskrivelse	Notes
NW	9100002066	1	Cylinderbørste medium nylon hvid 340 mm	
NW	9100002064	1	Sugefod kit 360 mm	
OM	9100001993	1	GASKET BULB REINFORCED L.1030MM SIP	
OM	9100001971	1	BELT TIMING HTD/OMEGA 669 3M 09 SIP	
OM	9100001987	1	MOTOR VACUUM 36V 200W SIP	
OM	9100001975	2	DISPENSER WATER SPRAY SOFT PLAST. SIP	
OM	9100002045	1	WHEELS CASTOR D.75 KIT	
OM	9100001981	1	PUMP WATER 24V 18W 21L/H PKD	
OM	9100000559	2	WHEEL D.51 GREY PKD	
OM	9100002002	1	CABLE LIFTING SQUEEGEE SIP	
EOM	9100002070	1	Batteri LI 36V 10S4P	
EOM	9100002058	1	CHARGER BATTERY LI 100-240V 1.25A	
EOM	9100002029	1	VALVE F SOLUTION TANK KIT	
EOM	9100001957	1	HUB TRACTION BRUSH PLAST. SIP	
EOM	9100001966	1	MOTOR BRUSH 180W 36V SIP	
EOM	9100002260	1	CONTROLLER MAIN MACH.P24 PROGR. SIP	
EOM	9100001988	1	BUMPER FRONT PLAST. SIP	
EOM	9100001974	1	CHAMBER VACUUMING RUBBER SIP	
EOM	9100002048	1	HOSES KIT	
EOM	9100002047	1	FILTER PLAST. F WATER PUMP KIT	
EOM	9100001998	1	CABLE HANDLE ADJUSTING SIP	
EOM	9100001985	1	CONTROLLER USER INTERFACE SIP	
EOM	9100002016	2	SENSOR CAPACITIVE SIP	
EOM	9100002049	1	SENSOR CAPACITIVE KIT	
ACC	9100002066	1	Cylinderbørste medium nylon hvid 340 mm	
ACC	9100002067	1	Cylinderbørste hård Grit 320 grå 340 mm	
ACC	9100002068	1	Cylinderbørste mikrofiber 340 mm	
ACC	9100002069	1	Cylinderbørste blød nylon sort 340 mm	
ACC	9100002064	1	Sugefod kit 360 mm	
ACC	9100002055	1	CABLE POWER SUPPLY LI UK PLUG	
ACC	9100002056	1	Batteri kit Lithium m. oplader	
ACC	9100002058	1	CHARGER BATTERY LI 100-240V 1.25A	
ACC	9100002070	1	Batteri LI 36V 10S4P	
ACC	9100002059	1	HANDLE BATTERY LI	



Pos.	Vare-nr	Antal	Beskrivelse	Notes
1	9100002070	1	Batteri LI 36V 10S4P	[1]
2	9100002059	1	HANDLE BATTERY LI	
3	9100001964	1	Opsamlingsbakke plast	
4	9100002023	1	DECALS NILFISK SCRUBTEC 334 KIT	
5	9100002058	1	CHARGER BATTERY LI 100-240V 1.25A	
6	9100002007	1	CABLE POWER SUPPLY EU L.1000MM SIP	
7	9100002055	1	CABLE POWER SUPPLY LI UK PLUG	[2]
8	9100002066	1	Cylinderbørste medium nylon hvid 340 mm	[2]
8	9100002067	1	Cylinderbørste hård Grit 320 grå 340 mm	[2]
8	9100002068	1	Cylinderbørste mikrofiber 340 mm	[2]
8	9100002069	1	Cylinderbørste blød nylon sort 340 mm	[2]
9	9100002064	1	Sugefod kit 360 mm	[2]
10	9100002379	1	WHEEL D.18 PLAST. GREY 4 PCS SET	
11	9100002027	1	COVER REAR BLACK KIT	
12	9100002028	1	MAGNETS ROUND KIT	
13	9100002056	1	Batteri kit Lithium m. oplader	[2]

Part Notes:

- [1] - OPTIONAL - See TSB-FC-2017-035
 DE TSB-FC-2017-035 SC250 Scrubtec 334C Lithium Batterie
- [2] - OPTIONAL

