

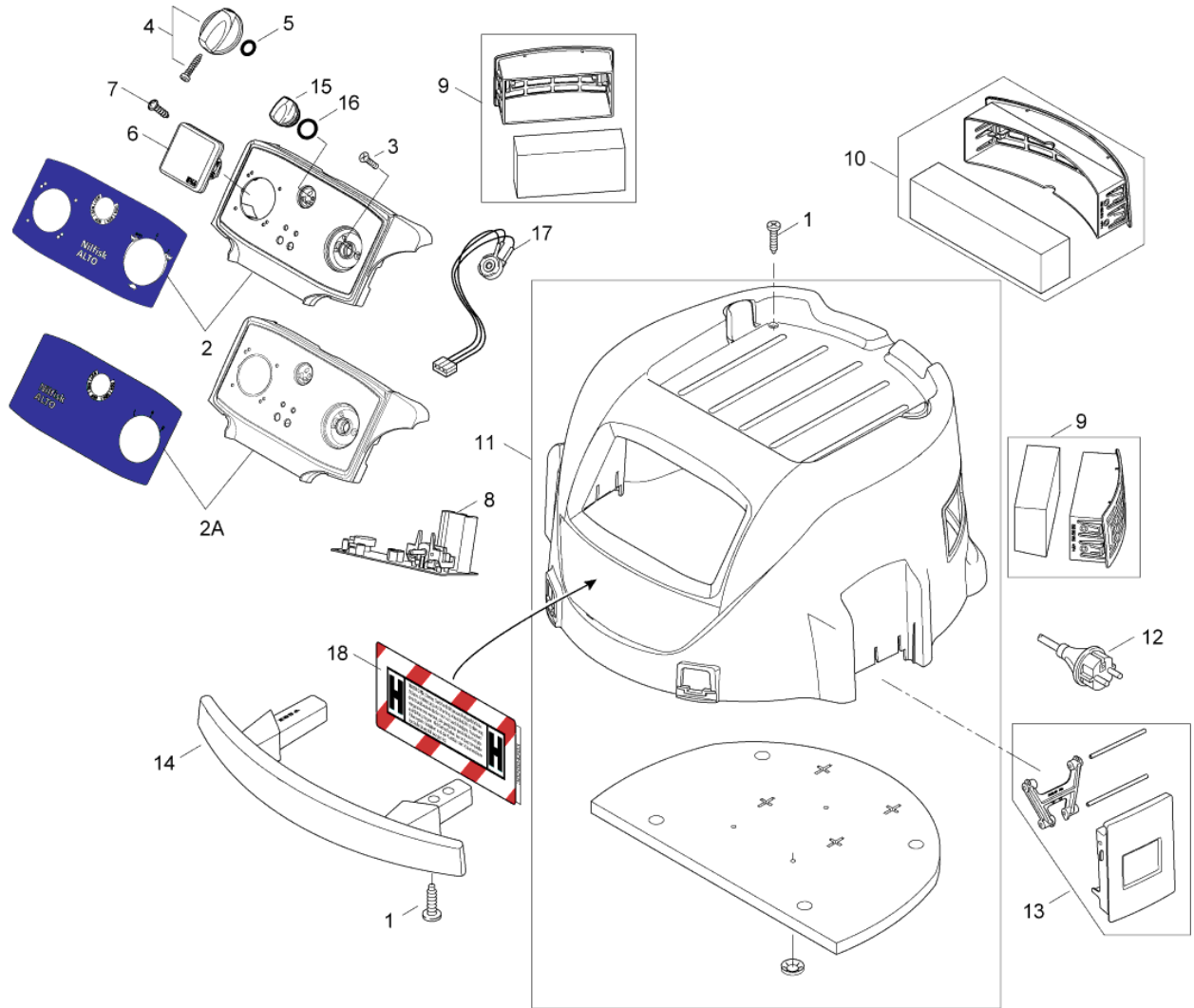
PARTS LIST



2017.07.31

TABLE OF CONTENTS

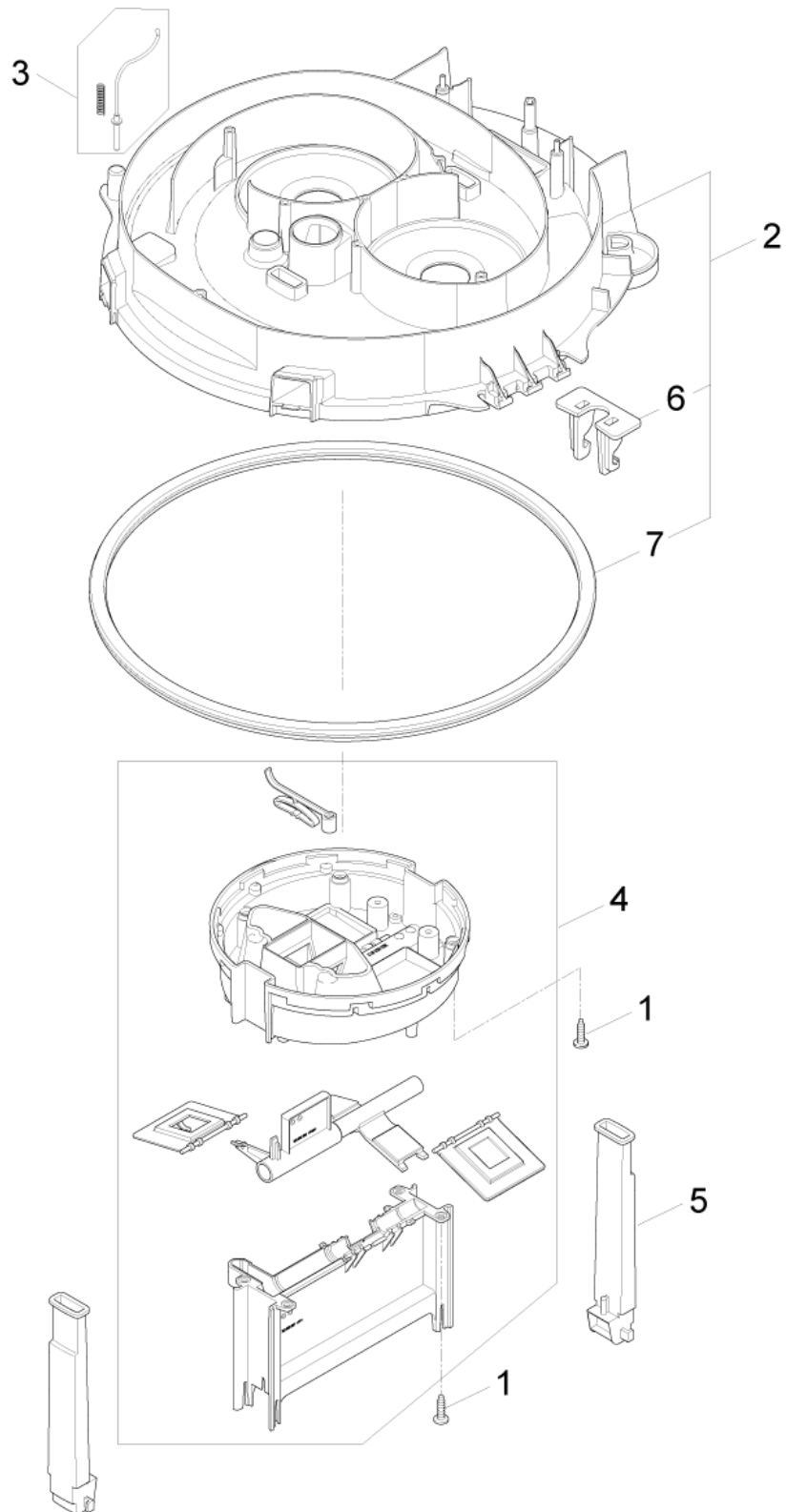
Cabinet.....	1
Base	3
Filter system 2H/M XC.....	5
Motor and motor top	7
Container top and chassis	9
Container	11
Default accessories.....	13
RECOMMENDED SPARE PARTS.....	15



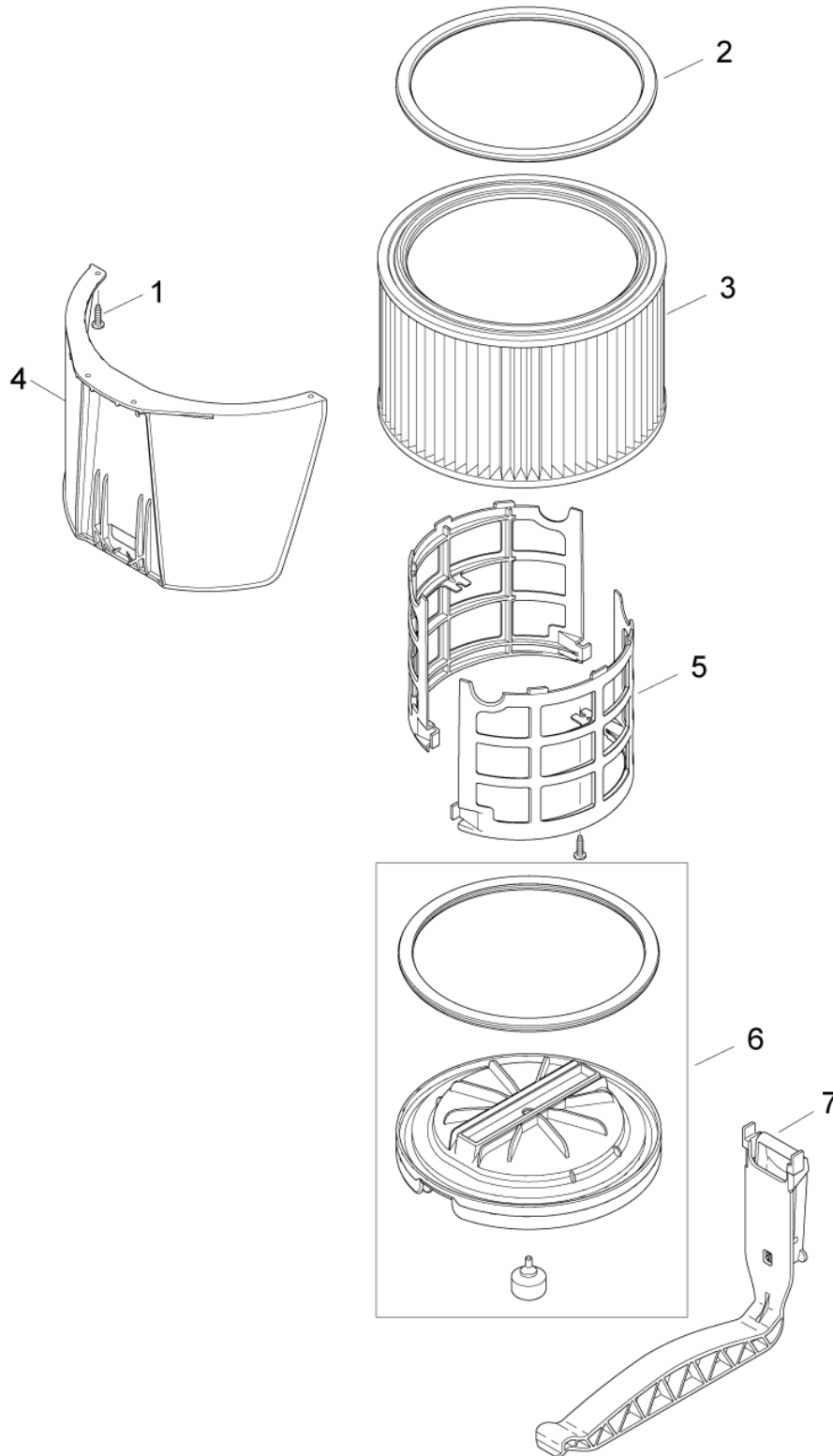
Pos.	Vare-nr	Antal	Beskrivelse	Notes
1	302003319	1	Skrue-Sæt	
2	302003391	1	DISPLAY AUTO-0-I +POTI ATTIX 9	
2A	302003400	1	DISPLAY I-0-II + POTI ATTIX9	
3	18274	2	Skrue M4X12	
4	909100204	1	Drejeknap	
5	9868	1	O-ring 10.0X2.5	
6	302004034	1	Stikdåse 16A/250V Eu	
7	107402837	4	SCREW 3.5X14	
8	107400045	1	ELECTRONIC I-0-II EC KIT	
8	302003707	1	ELECTRONICS I-0-II XC FLOW	[1]
8	302003708	1	Print (Auto-0-1)	[2]
9	302003397	2	Filter	
10	302003398	1	Udblæsningsfilter ATTIX 9	
11	302003425	1	Hood kit til ATTIX 9 XC	
12	302002789	1	CABLE 10.6 METER CH	
12	107402666	1	POWERCORD 1.5X10.8M CEE7 EU	
12	302002791	1	WIRE NETZ H07RN-F3G1.0X10.8M	
12	302002788	1	LTG NETZ H07RN-F3G1.5X10.6M	
12	302002790	1	LTG NETZ H07BQ-F3G2.5X10.8M CE	
13	302003383	1	Lukkeclamp	
14	302002590	1	Håndtag	
15	107400575	1	TURNING KNOB FOR POTI - BLACK	
16	107400576	1	O-RING 21X1.5	
17	302000429	1	Electronic Potentiometer	
18	107401548	1	LABEL DUSTCLASS H 130X44 PVC	

Part Notes:

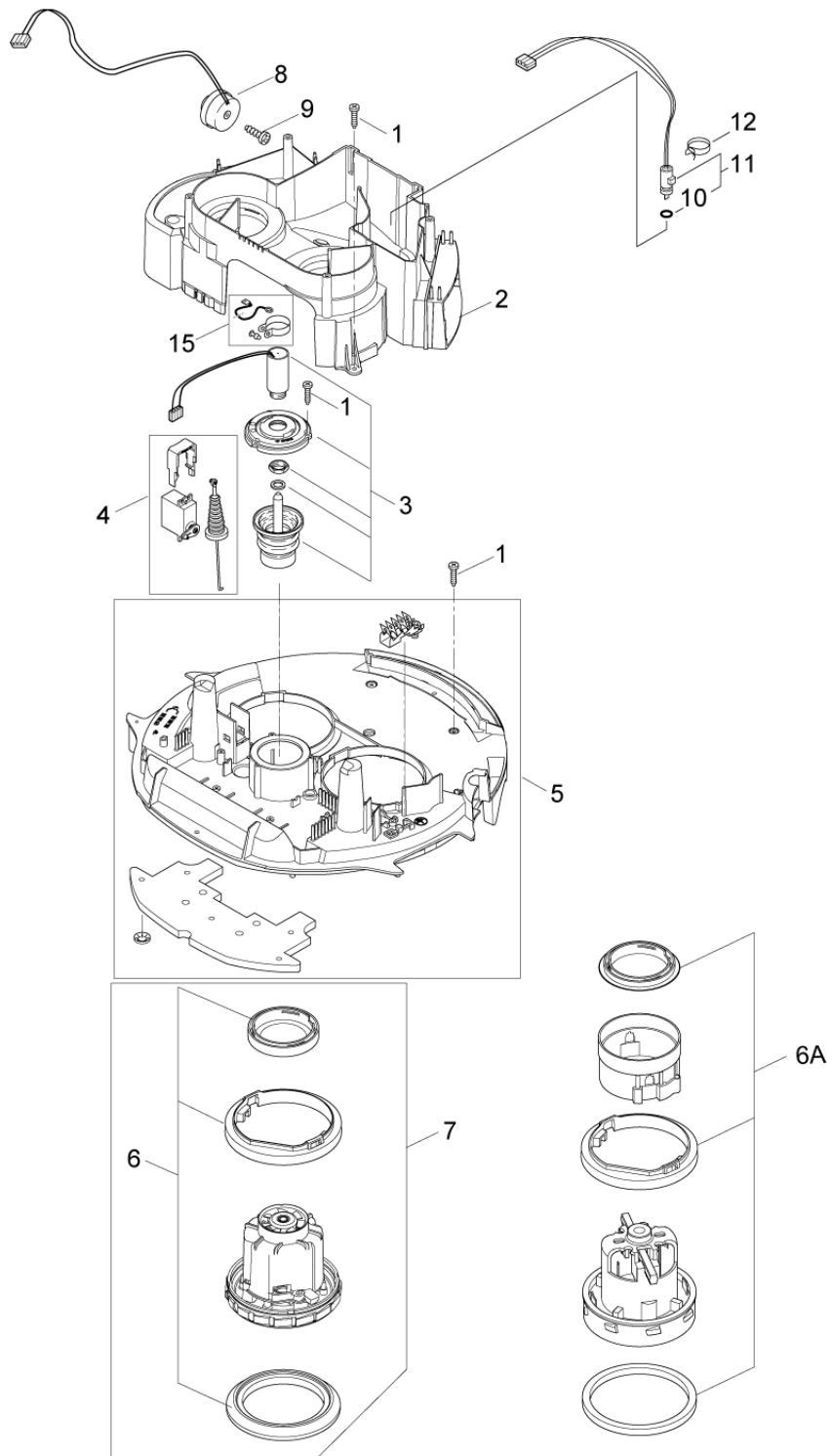
- [1] - 0H/M
[2] - 2H/M



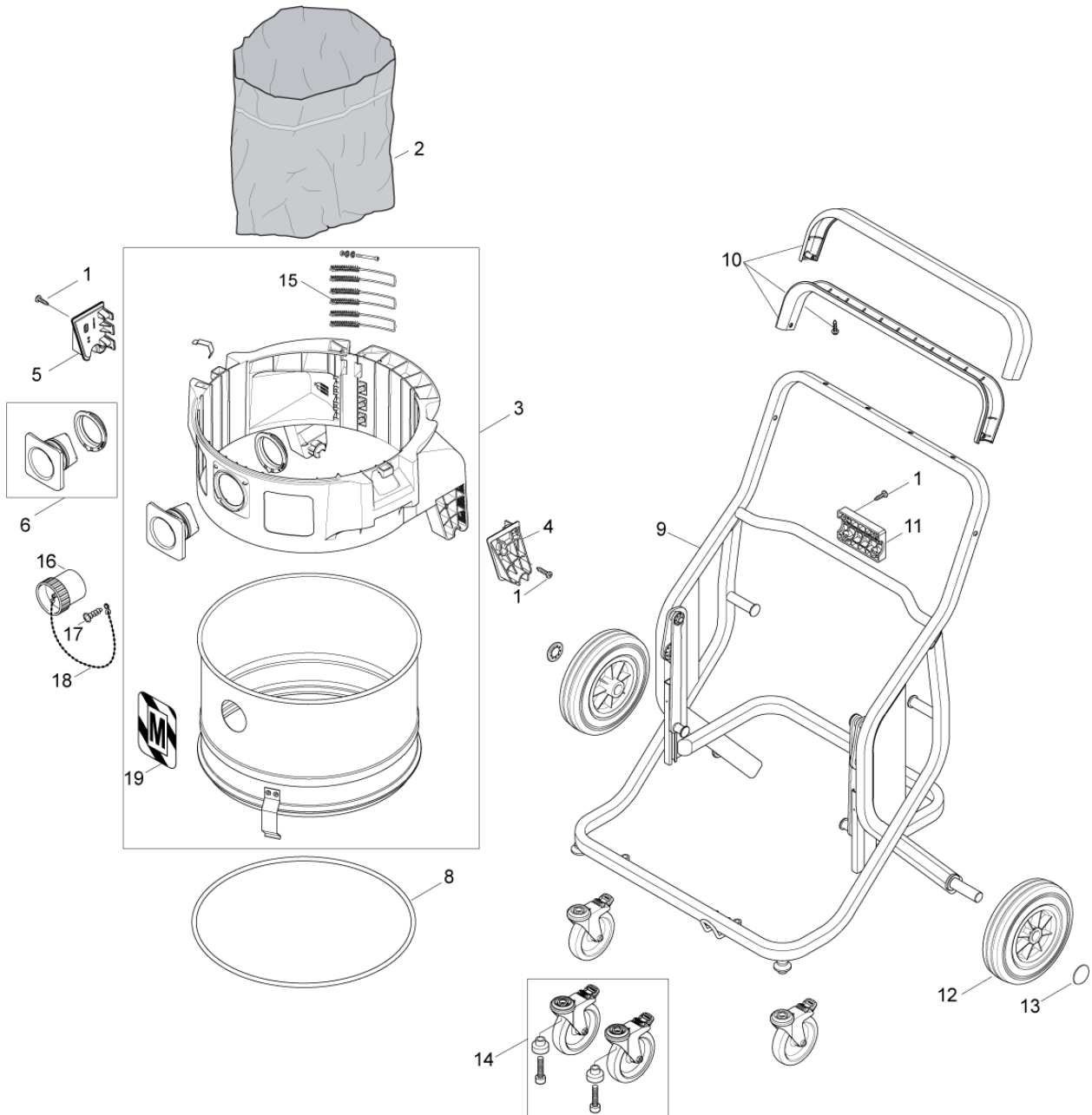
Pos.	Vare-nr	Antal	Beskrivelse	Notes
01	302003319	1	Skrue-Sæt	
02	302003598	1	Monteringsplade	
03	107402835	1	CONTACT SPRING WIRE AND FASTON	
04	302003422	1	Filter Reng. System Xc	
05	302000514	2	Pakning	
06	107413313	1	FIXTURE 72X32X52 - KIT	
07	302001432	1	Pakning Container	



Pos.	Vare-nr	Antal	Beskrivelse	Notes
01	302003376	1	Skrue-Sæt	
02	302000697	1	Gasket Filter	
03	107400564	1	Filterelement H-klasse	
03	107400562	1	Filterelement PET Nano-fiber M-klasse	
04	107402640	1	Deflector 318X180X212 Kit	
05	302000385	1	Filterhus	
06	107402653	1	Bundplade F/Filter	
07	302001139	1	Holder For Filter	



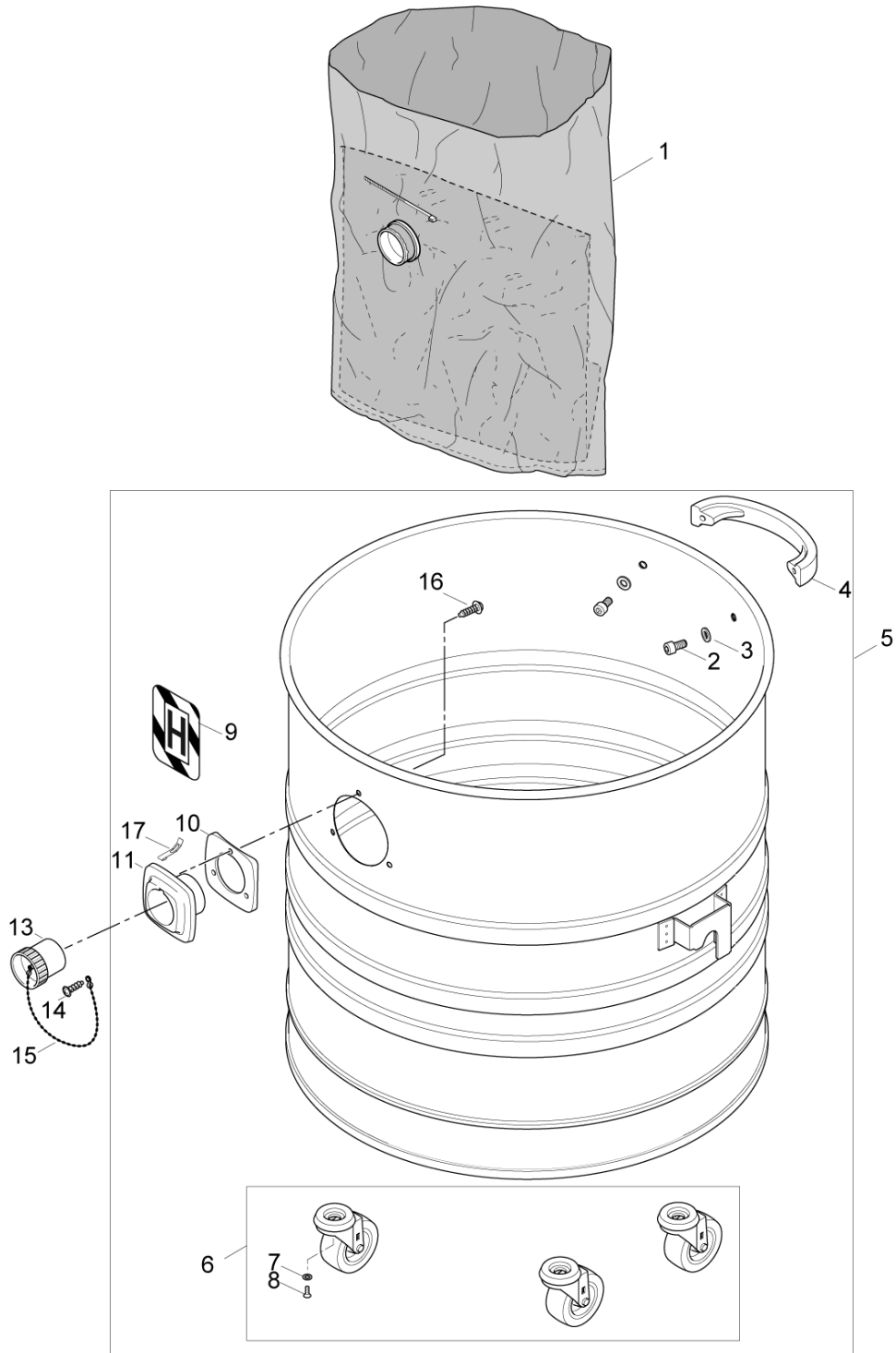
Pos.	Vare-nr	Antal	Beskrivelse	Notes
01	302003319	1	Skrue-Sæt	
02	302002582	1	Luft Fordeler	
03	107400291	1	Magnet 230V	
04	302003421	1	Servo Motor	
05	302003423	1	Spændeplade	
06	302003390	1	Sealing Kit S	
06A	302003385	1	Paknings-Sæt	
07	302003386	1	Turbine kit 1000W 230V	
07	302003388	1	Turbine kit 1000W 120V	
07	302003384	1	Turbine kit 1200W 230V	
08	107400579	1	Piezo Buzzer	
09	14418	1	SCREW 4.2X13 ISO 7049	
10	55416	1	O-RING 4.0x1.5 NBR70	
11	302000428	1	Electronic Flowsens 9X6Mm	
12	107400578	1	HOSE CLAMP D10	
15	107402836	1	EARTH CLIP FOR MAGNET - KIT	



Pos.	Vare-nr	Antal	Beskrivelse	Notes
01	302003319	1	Skrue-Sæt	
02	302001480	1	Opsamlingsposer (5 stk.)	
03	302003712	1	METALBELT SD-H ATTIX9	
04	302002895	1	FITTING PLATE RH	
05	302002896	1	FITTING PLATE LH	
06	302003380	1	Slangeindgang	[1]
08	302002608	1	Pakning, 8X394	
09	302003087	1	Preassembled Sd Chassi	
10	302003418	1	Rep.Sæt For Håndtag	
11	302002769	1	SD CHASSIS MOUNT	
12	107401077	2	Hjul 200X50	
13	3750	2	Lås Ø20	
14	107401054	1	Hjulsæt	
15	909100383	1	Spring 1.40X7.5X113	
16	14775	1	Plastmuffe Ø50	
17	24738	1	SCREW KA35X 8 WN1411	
18	30081	1	BEAD CHAIN 150MM WITH EYES ST/	
19	302003710	1	LABEL WARNING M 80X80	

Part Notes:

[1] - See STI VAC-094



Pos.	Vare-nr	Antal	Beskrivelse	Notes
01	302003473	1	Sikkerhedsfilterposer (5 stk.)	
02	14664	2	Skruer	
03	14805	2	Skive	
04	14663	1	Greb Turbo-D	
05	302003713	1	Beholder	
06	107401920	1	Caster D50X20 H64 D10.2 K It	
07	6100718	3	Skive F. Stagbolt	
08	24310	3	Skruer M8X16	
09	302003709	1	LABEL WARNING H 80X80	
10	11167	1	Adapter Ring	
11	11180	1	Tilgangsstykke	
13	14775	1	Plastmuffe Ø50	
14	24738	2	SCREW KA35X 8 WN1411	
15	30081	1	BEAD CHAIN 150MM WITH EYES ST/	
16	10028	3	Skruer	
17	17742	1	CONTACT SPRING B1 VA	

Pos.	Vare-nr	Antal	Beskrivelse	Notes
00	302001480	1	Opsamlingsposer (5 stk.)	
00	302003473	1	Sikkerhedsfilterposer (5 stk.)	
00	107400564	1	Filterelement H-klasse	

RECOMMENDED SPARE PARTS

ATTIX 965-H/M SD XC

2014.11.27

2016.06.06

Pos.	Vare-nr	Antal	Beskrivelse	Notes
01	302000514	1	Pakning	
01	302002608	1	Pakning, 8X394	
01	107402666	1	POWERCORD 1.5X10.8M CEE7 EU	
01	302002791	1	WIRE NETZ H07RN-F3G1.0X10.8M	
01	302003385	1	Paknings-Sæt	
01	17742	1	CONTACT SPRING B1 VA	
01	14663	1	Greb Turbo-D	
01	302001432	1	Pakning Container	
01	6100718	1	Skive F. Stagbolt	
01	302002896	1	FITTING PLATE LH	
01	302003423	1	Spændeplade	
01	107401054	1	Hjulsæt	
01	302002789	1	CABLE 10.6 METER CH	
01	30081	1	BEAD CHAIN 150MM WITH EYES ST/	
01	302003383	1	Lukkeclamp	
01	302003707	1	ELECTRONICS I-0-II XC FLOW	[1]
01	302003708	1	Print (Auto-0-1)	[2]
01	107400564	1	Filterelement H-klasse	
01	302003388	1	Turbine kit 1000W 120V	
01	302002582	1	Luft Fordeler	
01	302001480	1	Opsamlingsposer (5 stk.)	
01	3750	1	Lås Ø20	
01	107400575	1	TURNING KNOB FOR POTI - BLACK	
01	107401920	1	Caster D50X20 H64 D10.2 K It	
01	302003397	1	Filter	
01	302003473	1	Sikkerhedsfilterposer (5 stk.)	
01	107402653	1	Bundplade F/Filter	
01	302002790	1	LTG NETZ H07BQ-F3G2.5X10.8M CE	
01	302003421	1	Servo Motor	
01	11180	1	Tilgangsstykke	
01	302003398	1	Udblæsningsfilter ATTIX 9	
01	302003709	1	LABEL WARNING H 80X80	
01	24310	1	Skruer M8X16	
01	302002788	1	LTG NETZ H07RN-F3G1.5X10.6M	
01	107401077	1	Hjul 200X50	
01	302003710	1	LABEL WARNING M 80X80	
01	302000428	1	Electronic Flowsens 9X6Mm	
01	302003380	1	Slangeindgang	
01	14775	1	Plastmuffe Ø50	
01	302003425	1	Hood kit til ATTIX 9 XC	
01	302002895	1	FITTING PLATE RH	
01	302003598	1	Monteringsplade	
01	107413313	1	FIXTURE 72X32X52 - KIT	
01	302003422	1	Filter Reng. System Xc	
01	302003384	1	Turbine kit 1200W 230V	
01	107402835	1	CONTACT SPRING WIRE AND FASTON	
01	302001139	1	Holder For Filter	
01	107400291	1	Magnet 230V	
01	909100204	1	Drejeknap	
01	302002590	1	Håndtag	
01	107400579	1	Piezo Buzzer	
01	302000697	1	Gasket Filter	
01	302003390	1	Sealing Kit S	
01	302003386	1	Turbine kit 1000W 230V	
01	302003712	1	METALBELT SD-H ATTIX9	
01	11167	1	Adapter Ring	
01	302000429	1	Electronic Potentiometer	
01	302000385	1	Filterhus	

RECOMMENDED SPARE PARTS

ATTIX 965-H/M SD XC

2014.11.27

2016.06.06

Part Notes:

- [1] - 0H/M
- [2] - 2H/M

