

# PARTS LIST



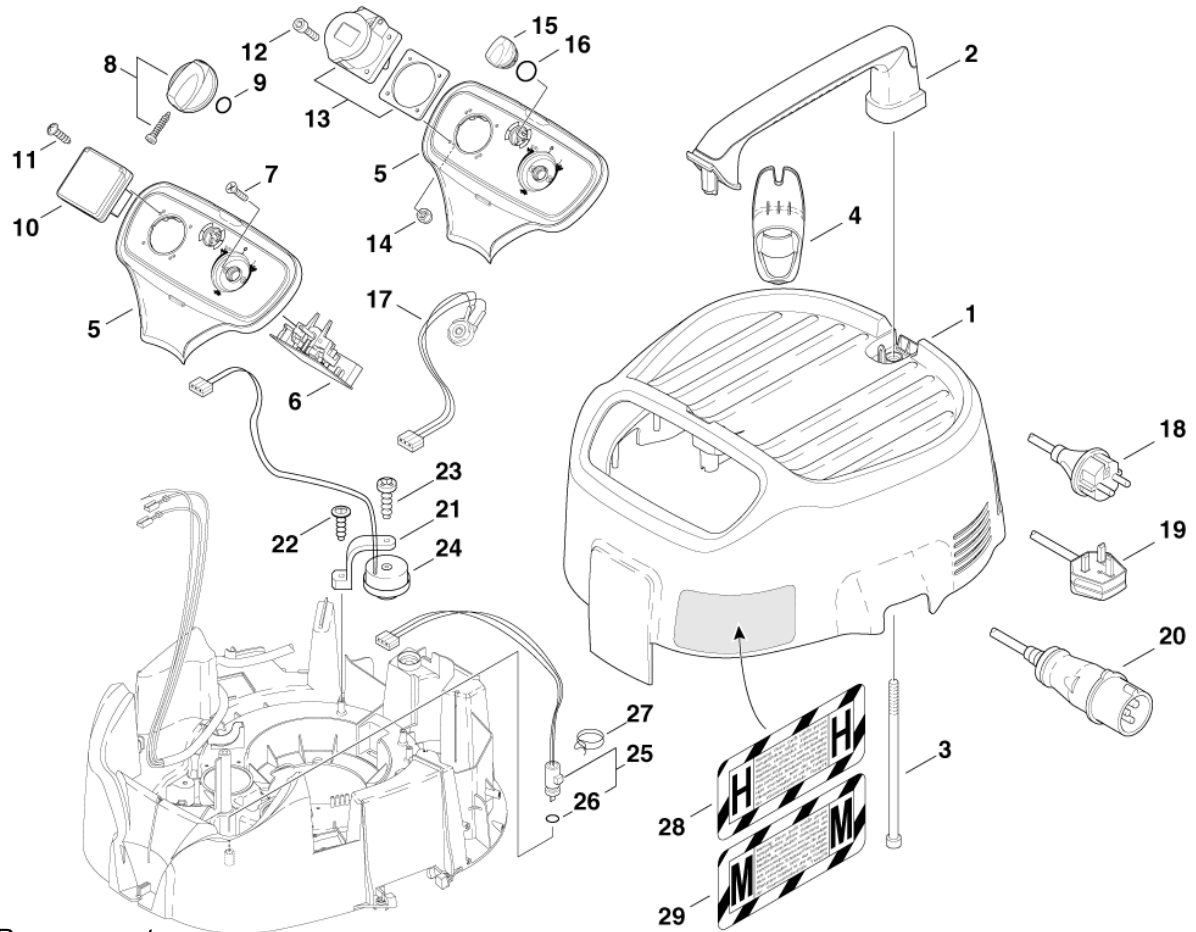
2017.07.31

# TABLE OF CONTENTS

---

Cabinet 550-2M, 751-2M .....	1
Cabinet, switch box 560-2M, 761-2M .....	3
Motor and filter 550-0M, 550-2M, 751-2M .....	5
Base, motor 560-2M, 761-2M .....	7
Filter, cleaning system 560-2M, 761-2M .....	9
Container 550 .....	11
Container 560 .....	13
Container 751 .....	15
Container 761 .....	17
Frame 751 .....	19
Frame 761 .....	21
Accessories (H/M) 550, 751 .....	23
Accessories (H/M) 560, 761, 763 .....	25

ATTIX 550-2M, 550-2H, 751-2M



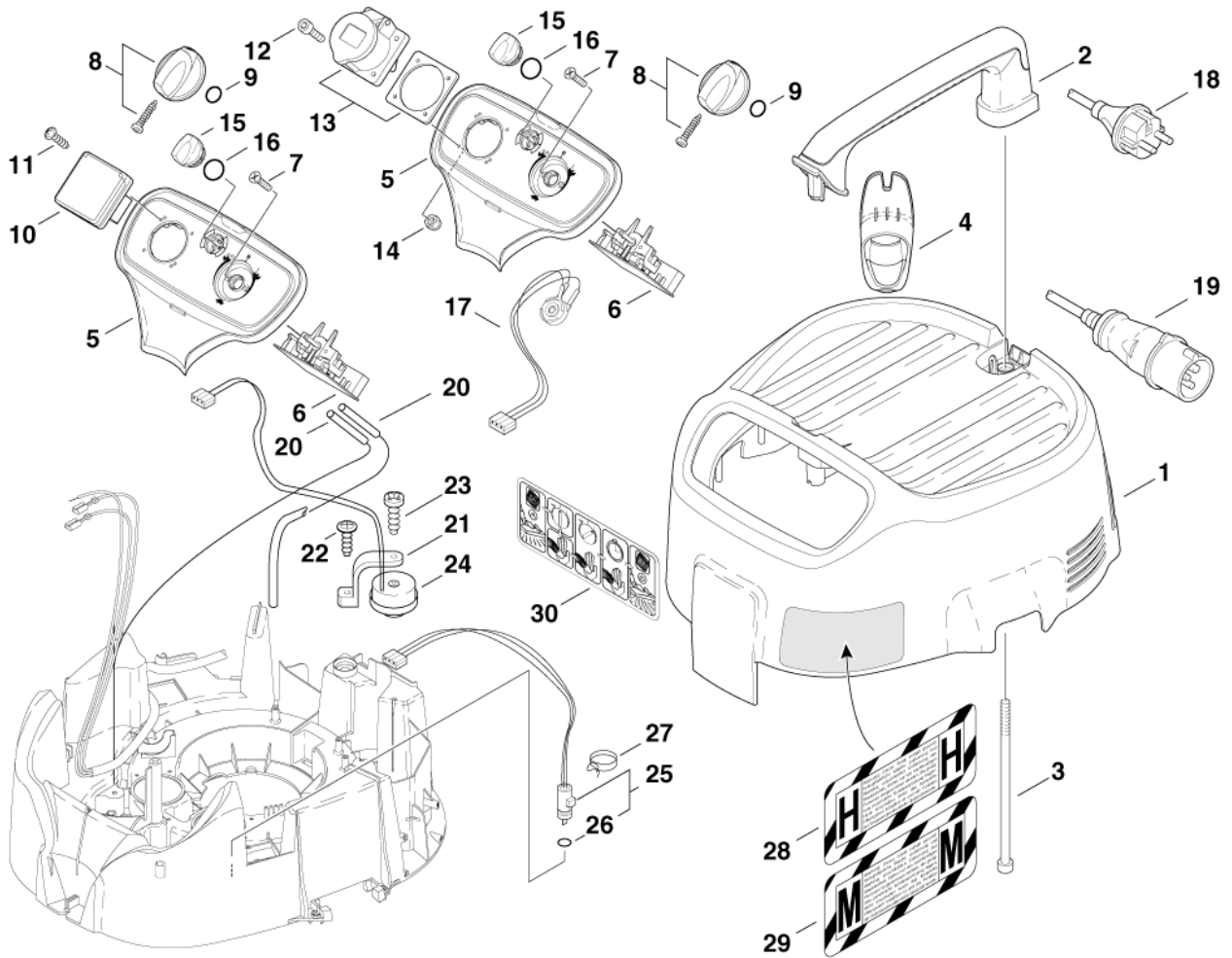
Resource notes:

\* NOTE: 550-2M\*EU\*, 550-2H\*EU\*, 550-2M\*GB,230V\*, 751-2M\*EU\*

Pos.	Vare-nr	Antal	Beskrivelse	Notes
01	107402652	1	Kabinet (Top)	
02	107402650	1	Løftehåndtag	
03	909100084	2	Skrue M6	
04	302000380	1	Kabelholder	
05	302001161	1	Switch Box Attix	[1]
06	302000630	1	Electronic Flow	[2]
06	302000629	1	ELECTRONIC FLOW MEASUREME	[3]
07	18274	2	Skrue M4X12	
08	909100204	1	Drejeknap	
09	9868	1	O-ring 10.0X2.5	
10	302004336	1	SOCKET 13A/250V GB	[4]
10	302004034	1	Stikdåse 16A/250V Eu	[5]
11	11256	2	Skrue Ka3,5X18	
12	50598	4	SCREW M5X20	[3]
13	107402842	1	OUTLET 2P AND PE 16A 110V	[3]
14	7417	4	HEXAGON THIN NUT	[3]
15	107400575	1	TURNING KNOB FOR POTI - BLACK	
16	107400576	1	O-RING 21X1.5	
17	302000429	1	Electronic Potentiometer	
18	107402641	1	Power Cord H05Rr-F 3G1.5X 8X2	[5]
19	107400270	1	CORD H05RR-F 3G1.5 BS1 363 GB	[4]
20	302000760	1	POWER CORD H07BQ-F3G1.5X	[3]
21	25871	1	BRACKET	
22	11254	1	SCREW 3.5X10 WN1411	
23	14418	1	SCREW 4.2X13 ISO 7049	
24	107400579	1	Piezo Buzzer	
25	302000428	1	Electronic Flowsens 9X6Mm	
26	55416	1	O-RING 4.0x1.5 NBR70	
27	107400578	1	HOSE CLAMP D10	
28	302001284	1	LABEL WARNING H	[6]
29	302001285	1	LABEL WARNING M	[7]

## Part Notes:

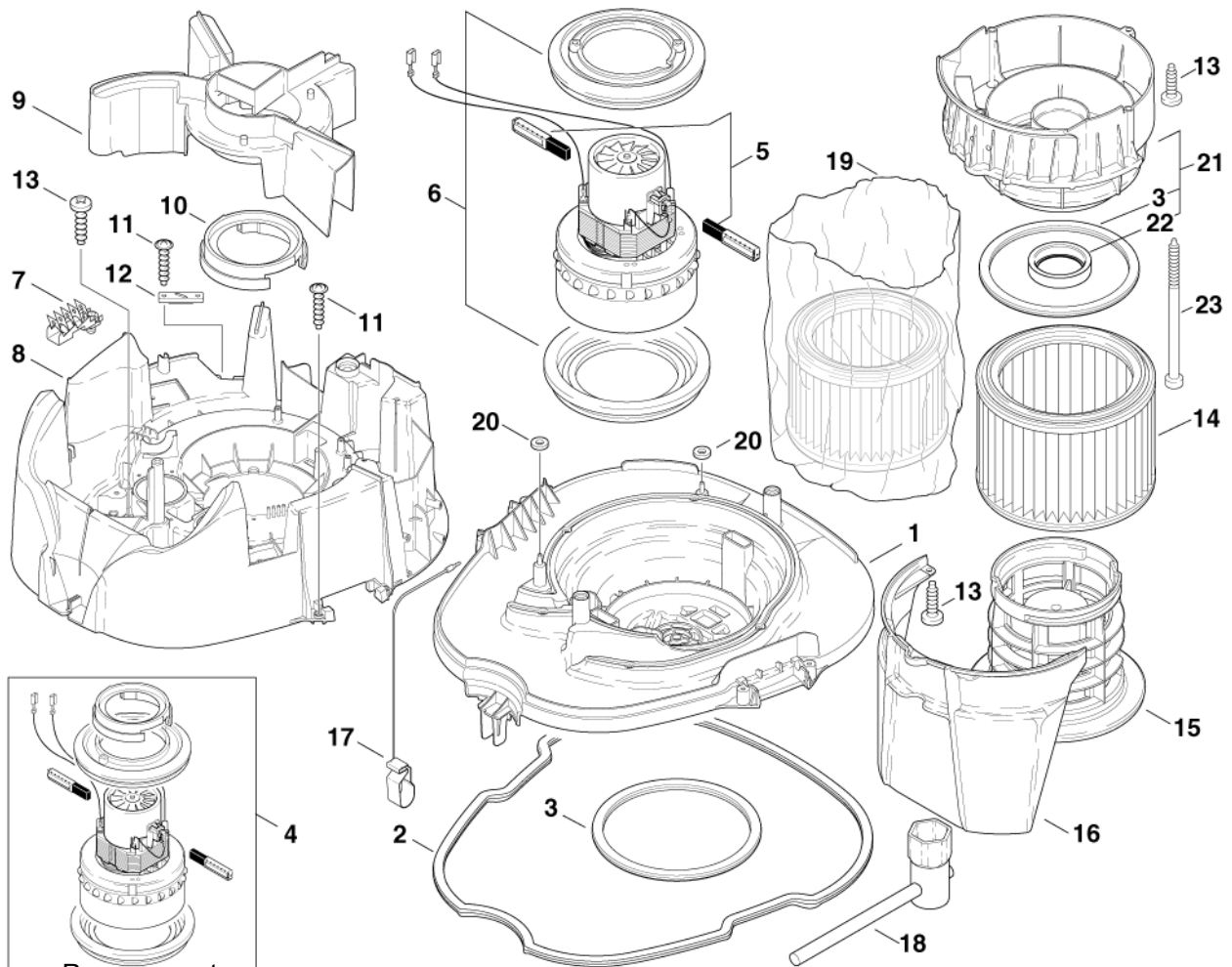
- [1] - 550-2M, 550-2H, 751-2M
- [2] - \* SEE NOTE
- [3] - 550-2M\*GB,110V\*
- [4] - 550-2M\*GB,230V\*
- [5] - 550-2M\*EU\*, 550-2H\*EU\*, 751-2M\*EU\*
- [6] - 550-2H
- [7] - 550-2M, 751-2M



Pos.	Vare-nr	Antal	Beskrivelse	Notes
01	107402652	1	Kabinet (Top)	
02	107402650	1	Løftehåndtag	
03	909100084	2	Skruer M6	
04	302000380	1	Kabelholder	
05	302001161	1	Switch Box Attix	
06	302001427	1	Electronic Flow Measureme Nt Xc 220-240	[1]
06	302001426	1	ELECTRONIC FLOW MEASUREMENT XC 110-120V	[2]
07	18274	2	Skruer M4X12	
08	909100204	1	Drejeknap	
09	9868	1	O-ring 10.0X2.5	
10	302004034	1	Stikdåse 16A/250V Eu	[3]
11	11256	2	Skruer Ka3,5X18	
12	50598	4	SCREW M5X20	[4]
13	107402842	1	OUTLET 2P AND PE 16A 110V	[4]
14	7417	4	HEXAGON THIN NUT	[4]
15	107400575	1	TURNING KNOB FOR POTI - BLACK	
16	107400576	1	O-RING 21X1.5	
17	302000429	1	Electronic Potentiometer	
18	107402641	1	Power Cord H05Rr-F 3G1.5X 8X2	[3]
18	107402642	1	Elkabel, DK	[5]
19	302000760	1	POWER CORD H07BQ-F3G1.5X	[6]
20	107411687	1	SILIKON HOSE D3X1,5 2METER - KIT	
21	25871	1	BRACKET	
22	11254	1	SCREW 3.5X10 WN1411	
23	14418	1	SCREW 4.2X13 ISO 7049	
24	107400579	1	Piezo Buzzer	
25	302000428	1	Electronic Flowsens 9X6Mm	
26	55416	1	O-RING 4.0x1.5 NBR70	
27	107400578	1	HOSE CLAMP D10	
28	302001284	1	LABEL WARNING H	[7]
29	302001285	1	LABEL WARNING M	[8]
30	302000824	1	Label	
30	1801075	1	Tætningskive 3/8"	

## Part Notes:

- [1] - 560-2MXC\*EU\*, 761-2MXC\*EU\*, 763 2M ED
- [2] - 560-2HXC \*GB,110V\*  
STOCK COVERS GUARANTEE
- [3] - \*EU\*
- [4] - 560-2HXC\*GB,110V\*
- [5] - DK
- [6] - \*GB,110V\*
- [7] - 560-2HXC
- [8] - 560-2MXC, 761-2MXC



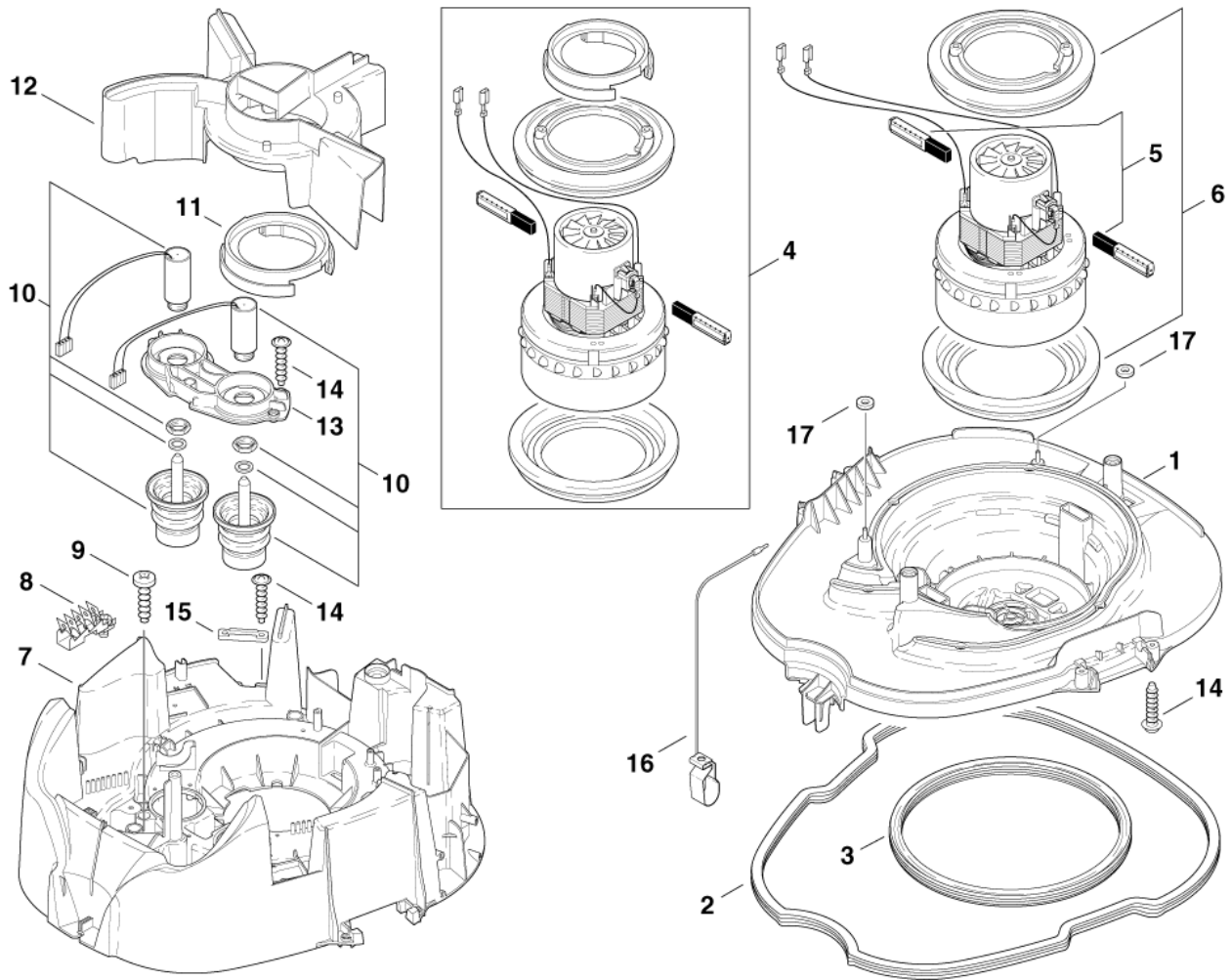
\* NOTE: 550-2M\*EU, 550-2M\*GB,230V\*, 550-0H\*GB,230V\*, 550-2H\*EU\*, 751-2M

Pos.	Vare-nr	Antal	Beskrivelse	Notes
01	302000372	1	Plade	
02	302000637	1	Tætning til beholder	[1]
03	302000460	1	Tætning til filter	
04	49594	1	Motor 220V 1200W	[2]
04	49598	1	Motor - Turbine 1000W	[3]
04	26784	1	Motor 120V 1200W	[4]
05	26774	1	"Kulsæt ""M"" "	[5]
05	49625	1	Kulsæt C	[6]
05	26775	1	"Kulsæt ""L"" "	[7]
06	42538	1	"Motorpakningssæt ""C"" "	[8]
06	28875	1	"Motorpakningssæt ""L""+"M"" "	[9]
07	302000755	1	EARTH CONNECTOR	
08	302001286	1	SUPPORTING PLATE	
09	302000373	1	Lufffordeler	
10	47035	1	COLLAR 55 SHORE A EPDM	[10]
10	47036	1	Gummipakning	
11	11256	6	Skruer Ka3,5X18	
12	5697	1	STRAP 3X8X33	
13	909100138	8	Skruer	
14	302000658	1	Filterelement H-klasse	[11]
14	302000490	1	Filterelement PET-fleece M-klasse	[12]
15	107400577	1	Filter Support Cage -H-Se T-1	[13]
15	107402646	1	Filter Support Cage	[12]
16	302000379	1	Beskyttelsesplade	
17	61174	1	Jordkabel	
17	302000823	1	CONTACT SPRING 41.8X14 AS BR	[14]
18	107400755	1	TEE WRENCH HEXAGON 24MM DIN659	[15]
19	30082	1	Poser til filterelementer (10 stk.)	[15]
20	62359	2	GASKET 9X4X1	
21	302001641	1	ADAPTOR SUBASSEMBLE	[16]
22	302001546	1	Pakning	[16]
23	909100196	3	SCREW 5.0X90	[16]

## Part Notes:

- [1] - STOCK COVERS GUARANTEE
- [2] - \* SEE NOTE  
PLEASE CONTACT CARWASH DIRECTLY
- [3] - 550-0H\*EU\*, 751-0H
- [4] - 550-2M\*GB,110V\*, 550-0H\*GB,110V\*
- [5] - FOR IDENTIF.LETTER "M"
- [6] - FOR IDENTIF.LETTER "C"  
PLEASE CONTACT CARWASH DIRECTLY
- [7] - FOR IDENTIF.LETTER "L"
- [8] - FOR IDENTIF.LETTER "C"
- [9] - FOR IDENTIF.LETTER"L"+"M"
- [10] - 550-0H\*EU\*,751-0H
- [11] - 550-0H, 550-2H, 751-0H  
CONTACT PM IN ZOCCA
- [12] - 550-2M, 751-2M
- [13] - 550-0H, 550-2H,751-0H
- [14] - \*GB\*
- [15] - 550-0H, 550-2H, 751-0H
- [16] - 751-0H, 751-2M

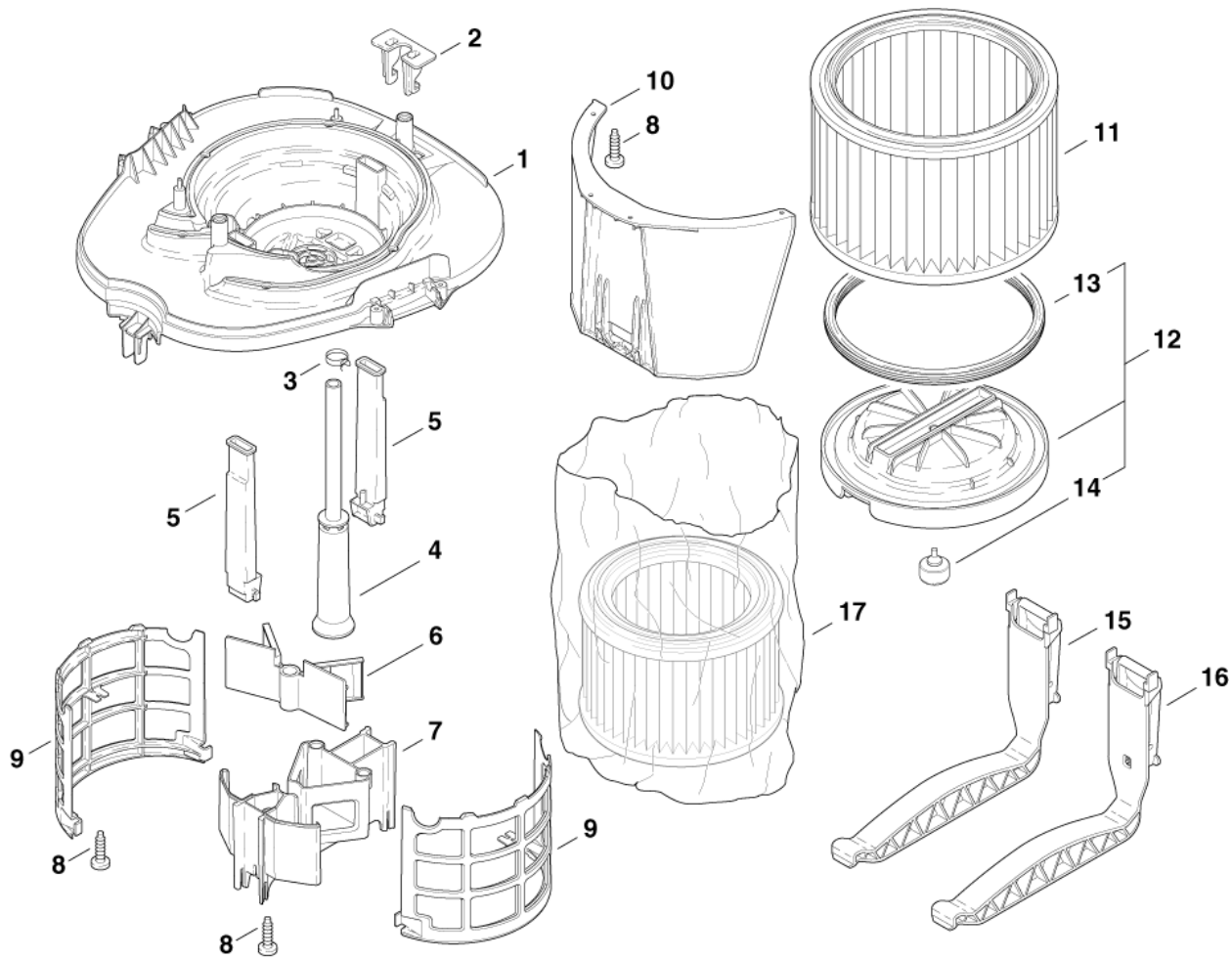




Pos.	Vare-nr	Antal	Beskrivelse	Notes
01	302000511	1	Plade	
02	302000637	1	Tætning til beholder	[1]
03	302000460	1	Tætning til filter	
04	49594	1	Motor 220V 1200W	[2]
04	26784	1	Motor 120V 1200W	[3]
05	26775	1	"Kulsæt ""L"" "	[4]
05	49625	1	Kulsæt C	[5]
05	26774	1	"Kulsæt ""M"" "	[6]
06	28875	1	"Motorpakningssæt ""L""+"M"" "	[7]
06	42538	1	"Motorpakningssæt ""C"" "	[8]
07	302001657	1	SUPPORTING PLATE 56	
08	302000755	1	EARTH CONNECTOR	
09	909100138	8	Skruer	
10	302000217	2	ELECTROMAGNET 12V	[9]
10	107402635	2	Electromagnet 24V Kit	[10]
11	47036	1	Gummipakning	
12	302000373	1	Luffordeler	
13	302000388	1	Frame 190X90X18 Pp	
14	11256	11	Skruer Ka3,5X18	
15	5697	1	STRAP 3X8X33	
16	61174	1	Jordkabel	
17	62359	2	GASKET 9X4X1	

## Part Notes:

- [1] - STOCK COVERS GUARANTEE
- [2] - \*EU\*  
PLEASE CONTACT CARWASH DIRECTLY
- [3] - \*GB,110V\*
- [4] - FOR IDENTIF.LETTER "L"
- [5] - FOR IDENTIF.LETTER "C"  
PLEASE CONTACT CARWASH DIRECTLY
- [6] - FOR IDENTIF.LETTER "M"
- [7] - FOR IDENTIF.LETTER"L"+"M"
- [8] - FOR IDENTIF.LETTER "C"
- [9] - FOR 100-120V
- [10] - FOR 220-240V

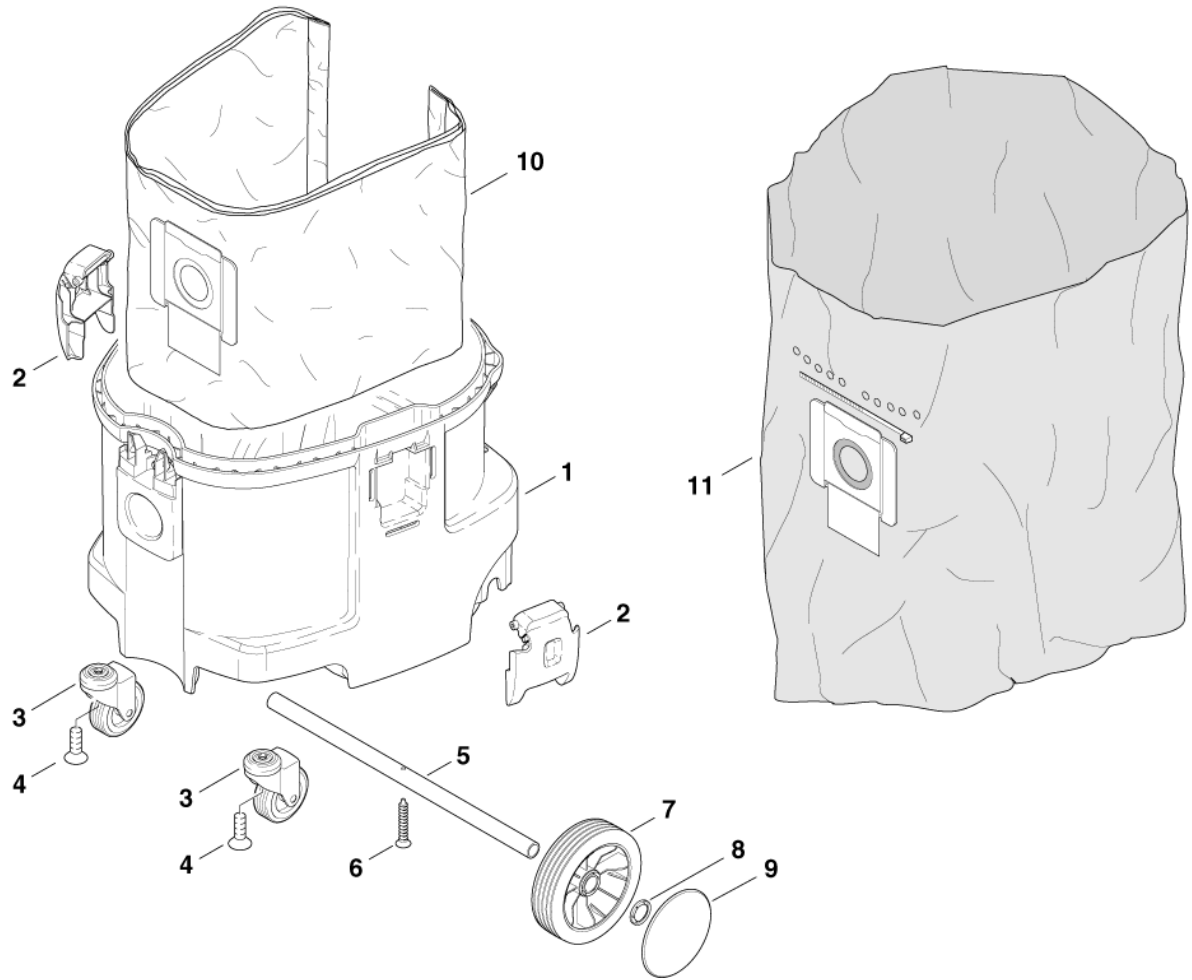


Pos.	Vare-nr	Antal	Beskrivelse	Notes
01	107413315	1	BASE PLATE - KIT	
02	107413313	1	FIXTURE 72X32X52 - KIT	
03	909100137	1	Band Clamp Fitting 119	
04	303000516	1	Slange	[1]
04	302001473	1	Hose D40X396	[2]
05	302000514	2	Pakning	
K1	107412690	1	Skjold med klapper	[3]
08	909100138	9	Skrue	
09	302000385	2	Filterhus	
10	107402640	1	Deflector 318X180X212 Kit	
11	107400564	1	Filterelement H-klasse	[4]
11	302000751	1	Filterelement Ø275x185 PET M-klasse	[5]
12	107402653	1	Bundplade F/Filter	
13	302000697	1	Gasket Filter	
14	302000515	1	Plug	
15	107402651	1	Holder For Filter	[6]
16	302001139	1	Holder For Filter	[4]
17	30082	1	Poser til filterelementer (10 stk.)	[4]

## Part Notes:

- [1] - 560-2MXC, 560-2HXC,
- [2] - 761-2MXC
- [3] - Includes pos. 6+7
- [4] - 560-2HXC
- [5] - 560-2MXC, 761-2MXC, 763-2M ED
- [6] - 560-2MXC, 761-2M XC, 763-2M ED

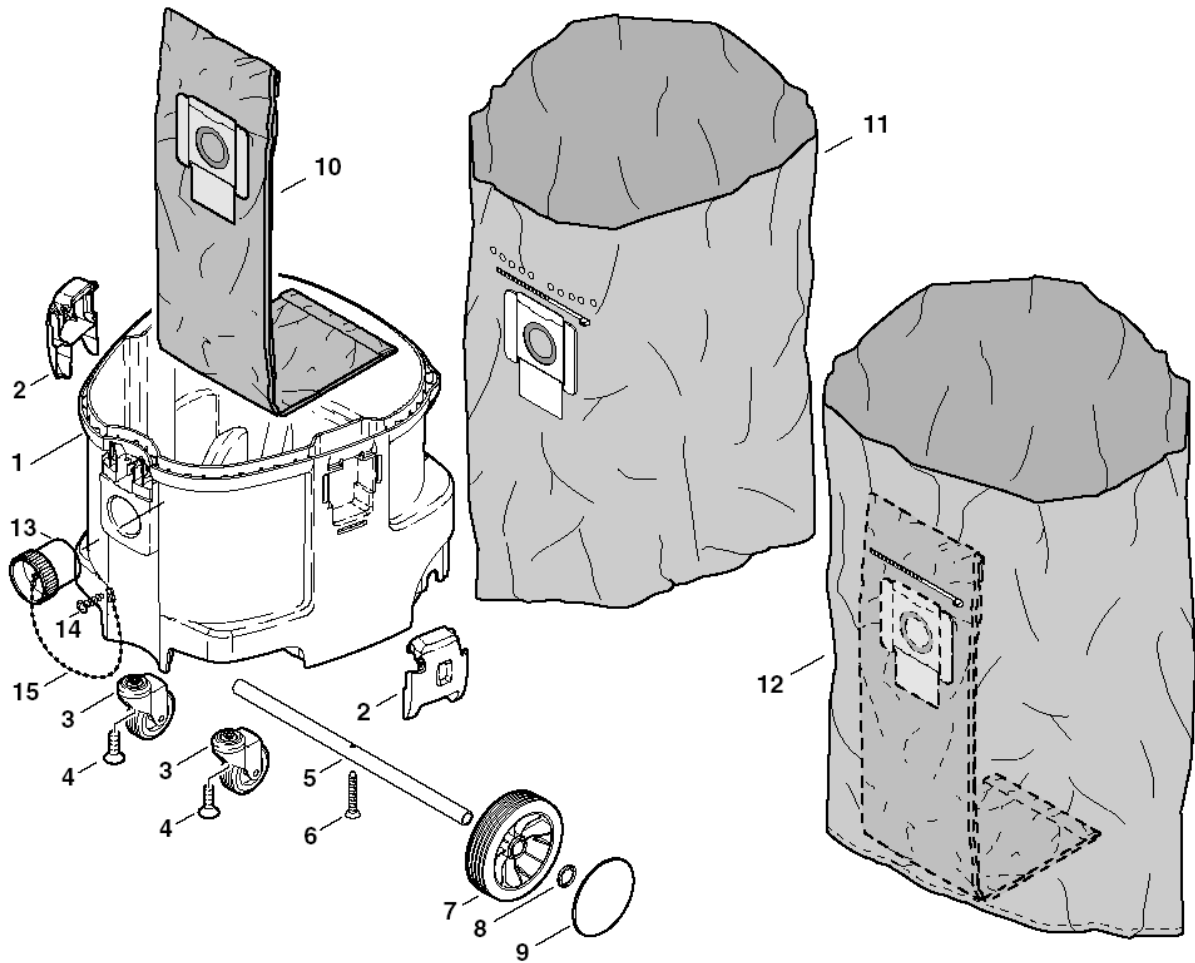
ATTIX 550-2M, 550-0H,550-2H



Pos.	Vare-nr	Antal	Beskrivelse	Notes
01	107413314	1	CONTAINER - KIT	
02	302000349	2	Lukkeclamp	
03	107409103	1	CASTOR D75X100 2 PCS.	
04	909100164	2	Skrue	
05	107402649	1	Axle 20X1.5X440	
06	909100085	1	Skrue	
07	302000639	2	Hjul Ø150	
08	47302	2	Låseskive	
09	67050	2	Navkapsel	
10	302000527	1	Støvsugerposer papir (5 stk.)	[1]
11	302001141	1	Sikkerhedsfilterposer (5 stk.)	[2]

## Part Notes:

- [1] - 550-2M
- [2] - 550-0H, 550-2H



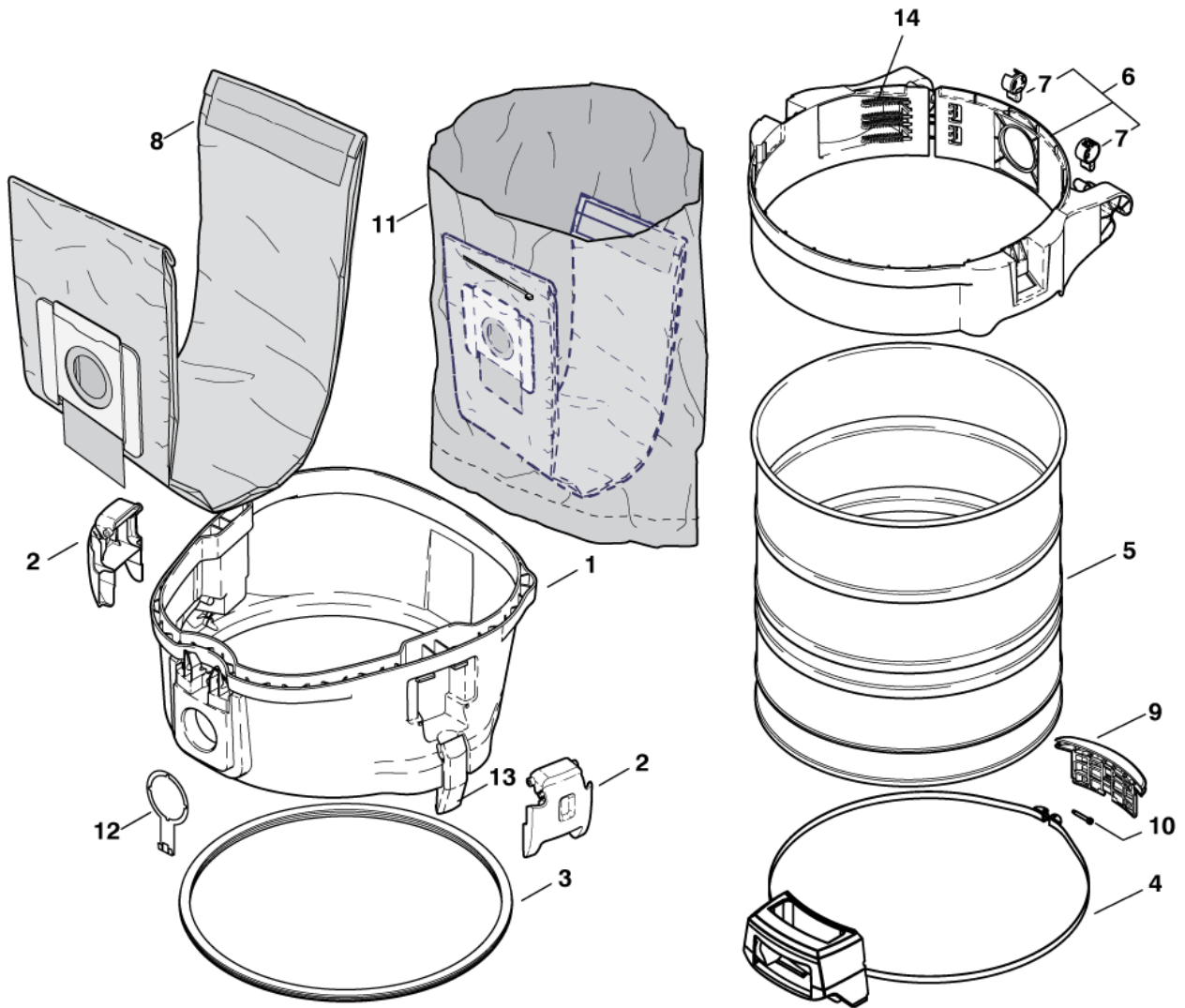
Pos.	Vare-nr	Antal	Beskrivelse	Notes
01	107413314	1	CONTAINER - KIT	
02	302000349	2	Lukkeclamp	
03	107409103	1	CASTOR D75X100 2 PCS.	
04	909100164	2	Skruer	
05	107402649	1	Axle 20X1.5X440	
06	909100085	1	Skruer	
07	302000639	2	Hjul Ø150	
08	47302	2	Låseskive	
09	67050	2	Navkapsel	
10	302001138	1	Støvsugerposer papir (5 stk.)	[1]
11	302000728	1	Opsamlingsposer plast (5 stk.)	
12	302001143	1	Sikkerhedsfilterposer (5 stk.)	[2]
13	14775	1	Plastmuffe Ø50	[2]
14	24738	1	SCREW KA35X 8 WN1411	[2]
15	30080	1	BALL CHAINS	[2]

## Part Notes:

[1] - 560-2MXC

[2] - 560-2HXC



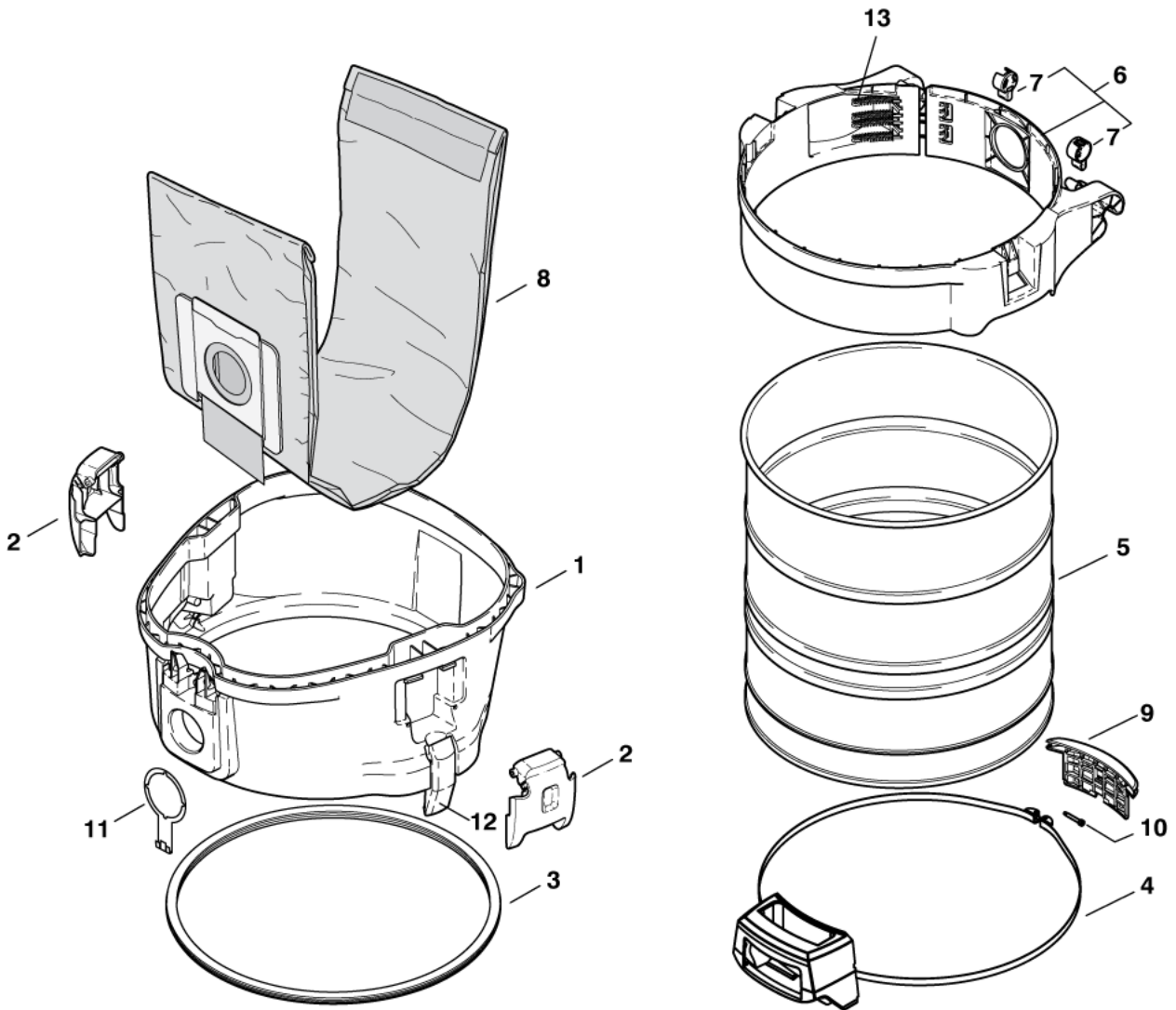


Pos.	Vare-nr	Antal	Beskrivelse	Notes
01	107400257	1	Mellemring	
02	302000349	1	Lukkeclamp	
03	302001432	1	Pakning Container	
04	302001605	1	Håndtag	
05	107402657	1	Container R408X430Ss	
06	302001704	1	Belt Container 1480 Set	
07	302001441	1	Interlock ATTIX 7	
08	302001484	1	Støvsugerposer papir (5 stk.)	[1]
09	302001363	1	Holder 155X55X35	
10	302001613	1	Skrue M5X35X5	
11	302001486	1	Sikkerhedsfilterposer (5 stk.)	[2]
12	107400145	1	Ground Connector	
13	19880	1	Snaplås	
14	909100383	1	Spring 1.40X7.5X113	

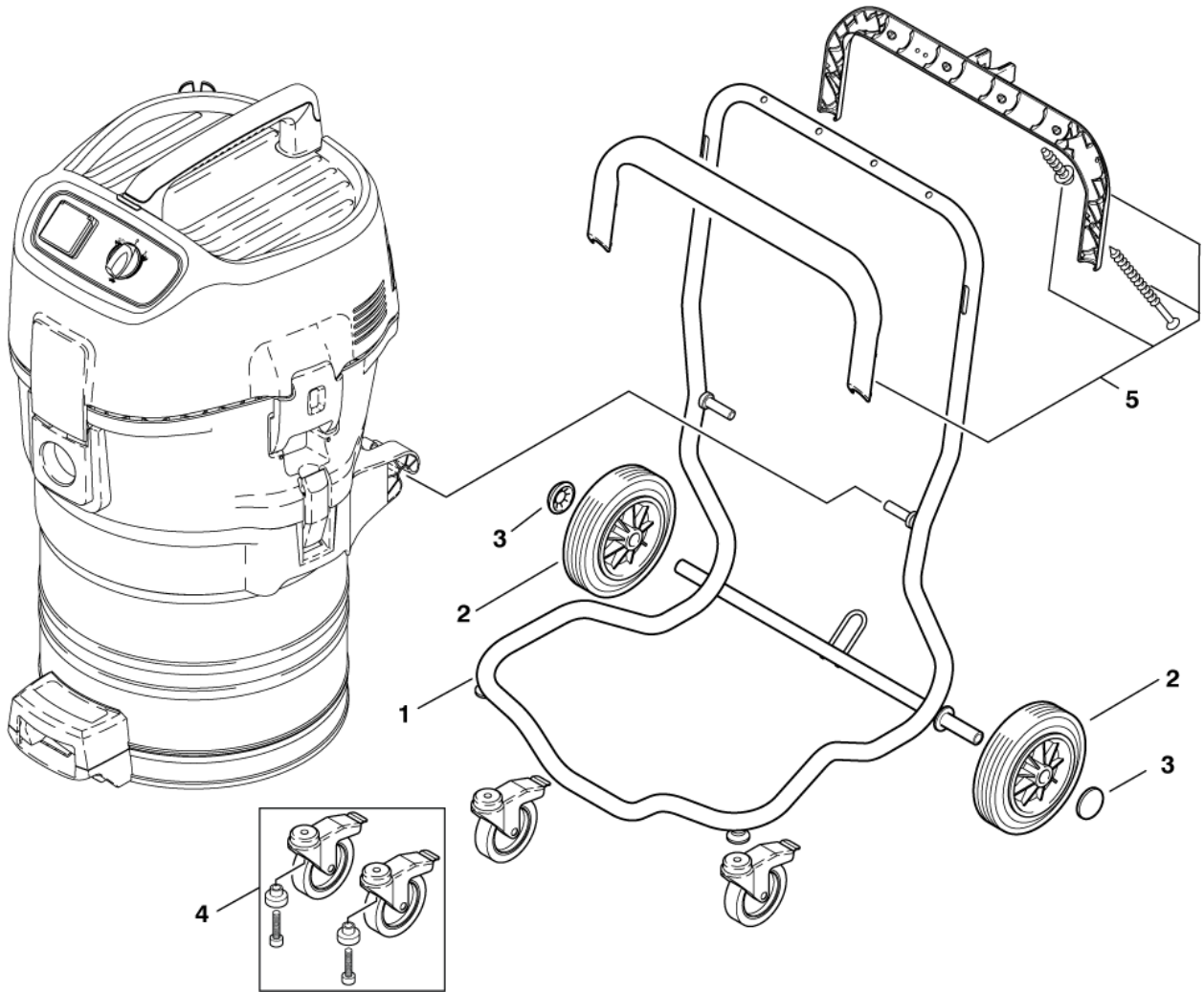
## Part Notes:

[1] - 751-2M

[2] - 751-0H



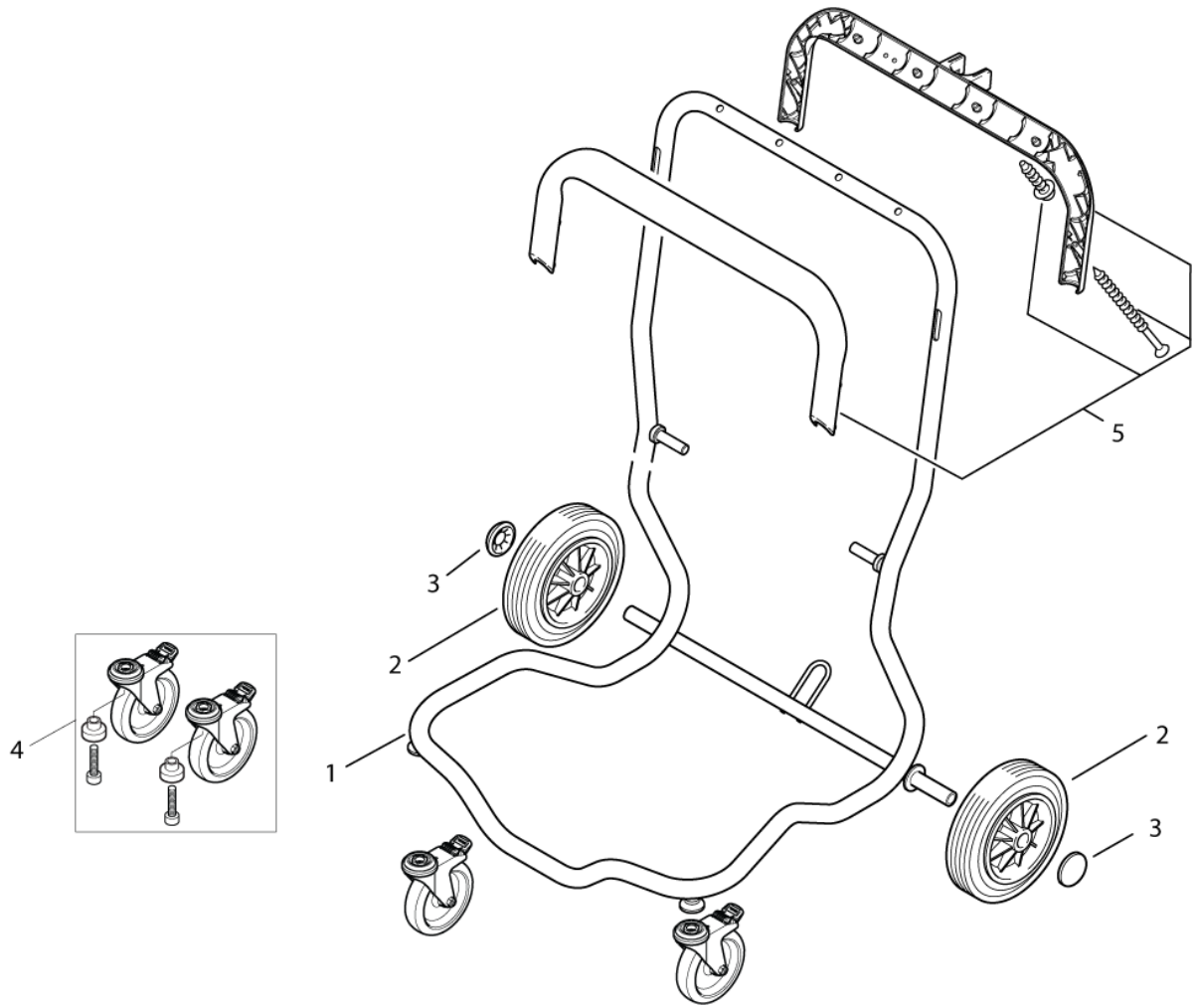
Pos.	Vare-nr	Antal	Beskrivelse	Notes
01	107400257	1	Mellemring	
02	302000349	2	Lukkeclamp	
03	302001432	1	Pakning Container	
04	302001605	1	Håndtag	
05	107402657	1	Container R408X430Ss	
06	302001704	1	Belt Container 1480 Set	
07	302001441	2	Interlock ATTIX 7	
08	302001484	1	Støvsugerposer papir (5 stk.)	
09	302001363	1	Holder 155X55X35	
10	302001613	1	Skrue M5X35X5	
11	107400145	1	Ground Connector	
12	19880	1	Snaplås	
13	909100383	1	Spring 1.40X7.5X113	



Pos.	Vare-nr	Antal	Beskrivelse	Notes
01	302001437	1	Ramme	
02	107401077	2	Hjul 200X50	[1]
03	3750	2	Lås Ø20	
04	107401054	1	Hjulsæt	[2]
05	302001706	1	Håndtag	

Part Notes:

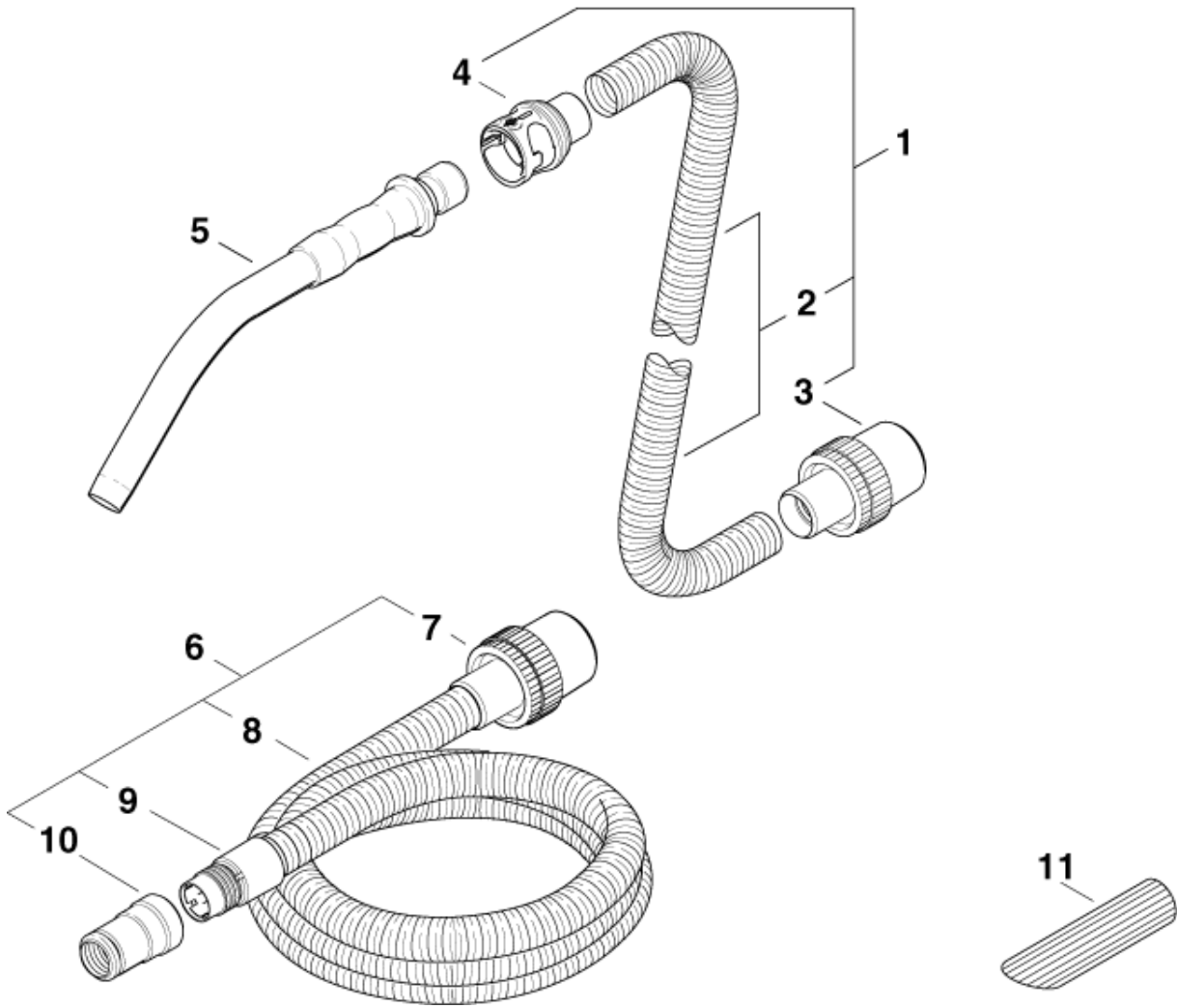
- [1] - 302000334
- [2] - 2011054



---

Pos.	Vare-nr	Antal	Beskrivelse	Notes
01	302001437	1	Ramme	
02	107401077	2	Hjul 200X50	
03	3750	2	Lås Ø20	
04	107401054	1	Hjulsæt	
05	302001706	1	Håndtag	

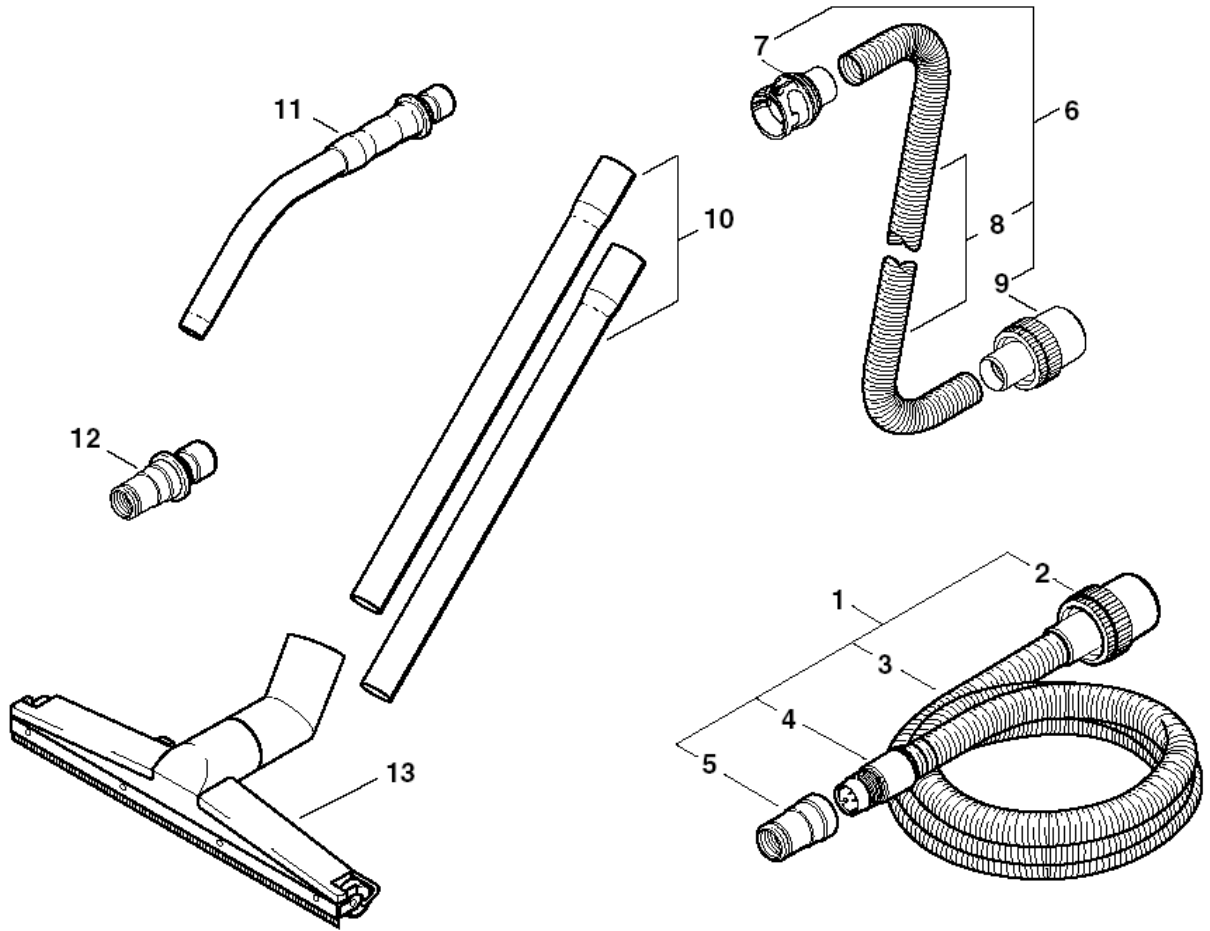




Pos.	Vare-nr	Antal	Beskrivelse	Notes
01	46948	1	Sugeslange universal 3 m lynkobling Ø36	
02	11985	1	Sugeslange Ø36 pr. meter (max. 20 meter)	
03	15102	1	Slangemuffe Ø36/50	
04	302001345	1	Koblingsmuffe Ø36	
05	46691	1	Rørbøjning RF stål Ø36	
05	302000528	1	Rørbøjning krom-belagt lynkobling Ø36	
06	107406091	1	Sugeslange AntiStatic 3,5m Ø27 m.adapter	
07	15369	1	Slangemuffe Antistat Ø27	
08	15326	1	Sugeslange AntiStatic pr. meter Ø27	
09	63509	1	Gevindstykke Ø27	[1]
10	107404520	1	Adapter Ø27/36	
11	5067	1	Fugemundstykke gummi 190 mm Ø36	

## Part Notes:

[1] - STOCK COVERS GUARANTEE



Pos.	Vare-nr	Antal	Beskrivelse	Notes
1	107406091	1	Sugeslange AntiStatic 3,5m Ø27 m.adapter	
2	15369	1	Slangemuffe Antistat Ø27	
3	15326	1	Sugeslange AntiStatic pr. meter Ø27	
4	63509	1	Gevindstykke Ø27	[1]
5	107404520	1	Adapter Ø27/36	
6	302001682	1	Sugeslange Antistatic 5 m lynkobling Ø36	
7	302001345	1	Koblingsmuffe Ø36	
8	15312	1	Sugeslange AntiStatic pr. meter Ø36	
9	15102	1	Slangemuffe Ø36/50	
10	107408074	1	Forlængerrør RF 505 mm 2 stk. Ø36	
11	46691	1	Rørbøjning RF stål Ø36	
12	302000535	1	Adapter til el-værktøj AntiStatic	
13	15348	1	Tørsugningsmundstykke alu 450 mm Ø36	

## Part Notes:

[1] - STOCK COVERS GUARANTEE

