

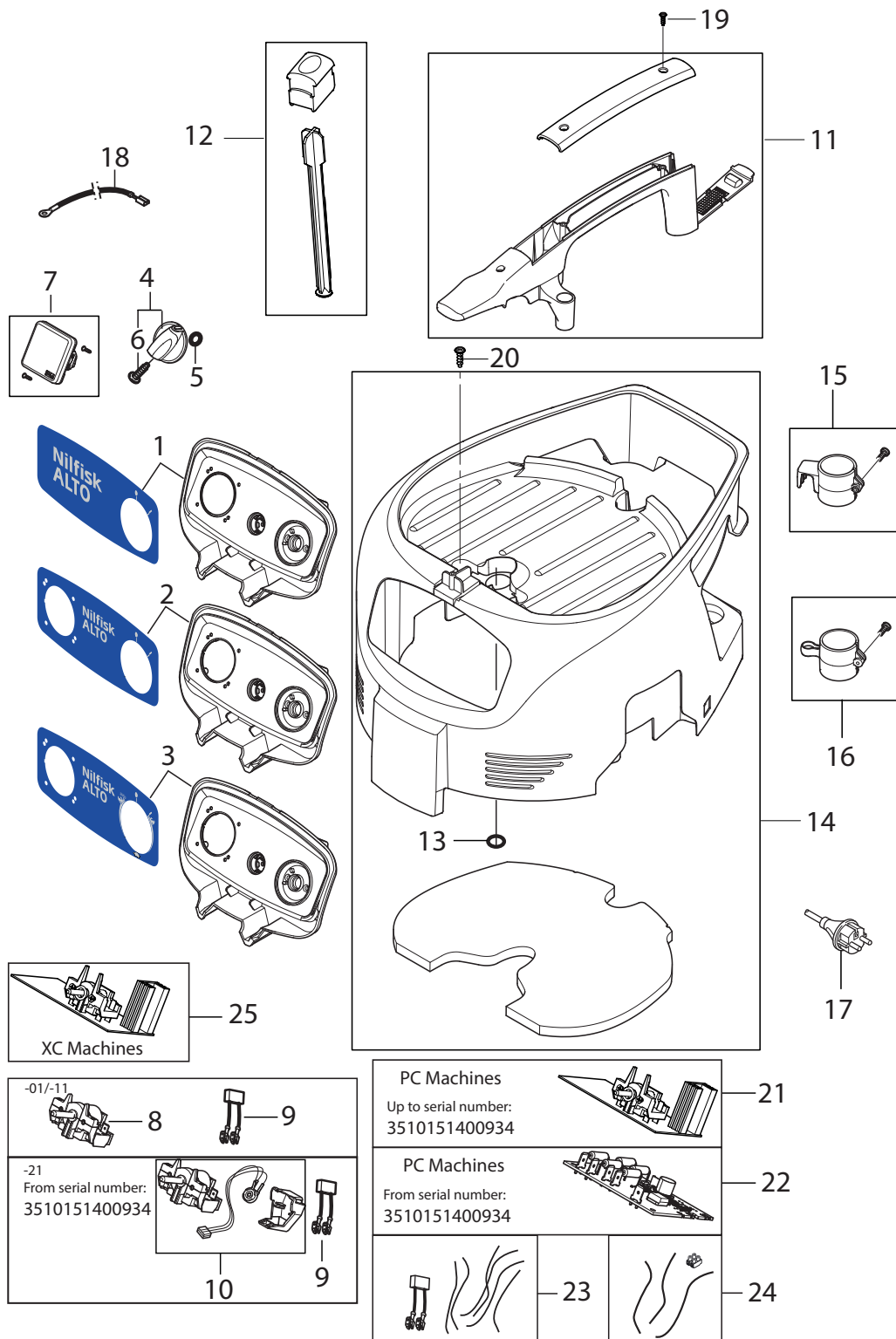
PARTS LIST



2017.07.31

TABLE OF CONTENTS

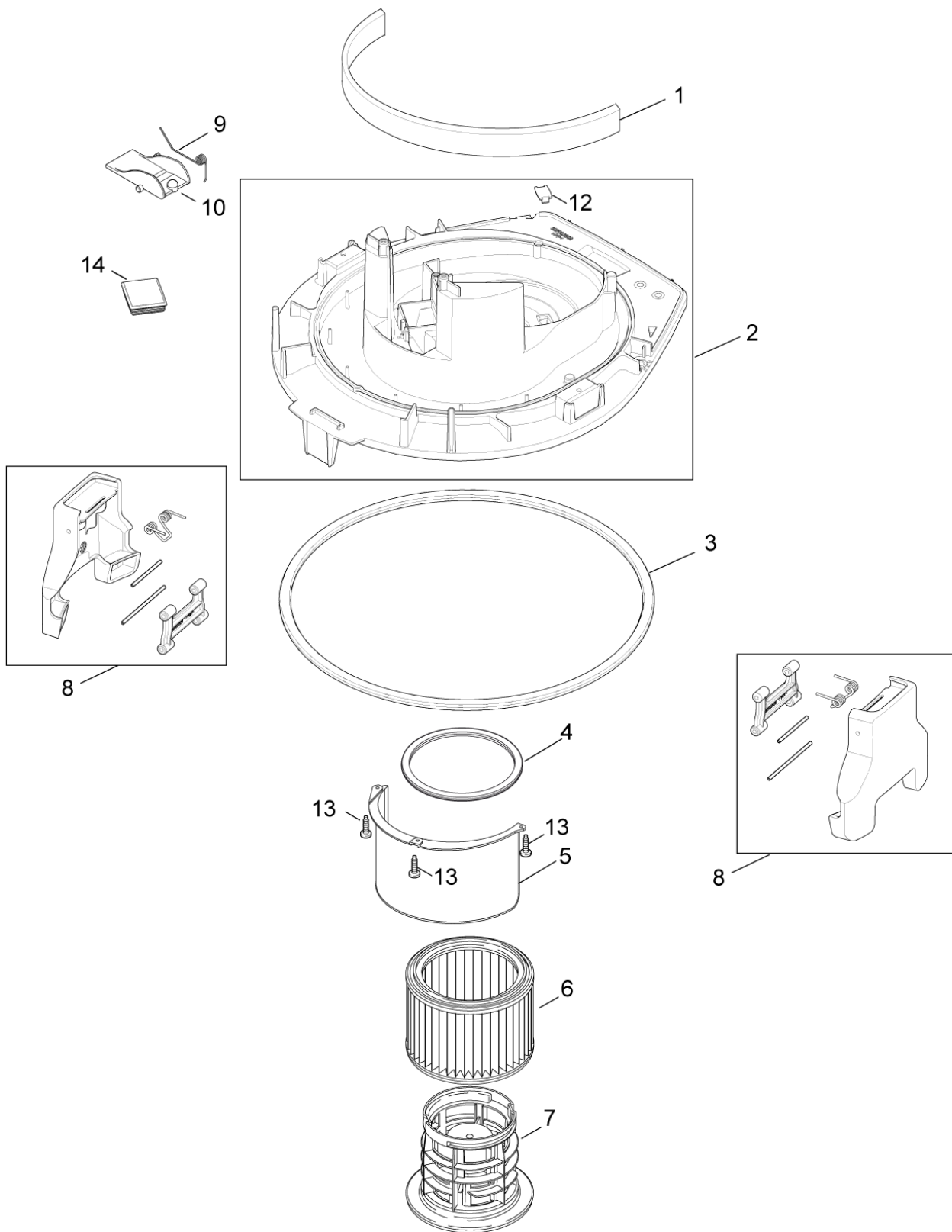
Cabinet Push Clean & Basic & XC	1
Filtersystem Push Clean & Basic.....	4
Filtersystem XC	6
Motor Basic and Push Clean.....	8
Motor XC.....	10
Container ATTIX 40.....	12
Accessories.....	14
RECOMMENDED SPARE PARTS.....	16



Pos.	Vare-nr	Antal	Beskrivelse	Notes
00	302003502	1	BOX KIT ATTIX 30	
00	302003503	1	BOX KIT ATTIX 40	
00	302003504	1	BOX ATTIX 50	
1	302004047	1	SWITCHBOX NILFISK-ALTO 01PC	
2	302004048	1	SWITCHBOX NILFISK-ALTO 11PC	
3	302004049	1	Switchbox T/ATTIX 50-21	[1]
4	909100204	1	Drejeknap	
5	9868	1	O-ring 10.0X2.5	
6	32526	1	TREAD-CUTTING SCREW 2.9X19 C ISO 1483 ZN	
7	302004036	1	SOCKET 16A/250V FR	
7	302004336	1	SOCKET 13A/250V GB	
7	107400060	1	Strømuttag 250 V Dk	
7	302004034	1	Stikdåse 16A/250V Eu	
7	107400059	1	SOCKET 10A/250V CH	
7	107400057	1	SOCKET 16A/110V GB	
7	302004338	1	SOCKET 15A/125V US/CSA	
8	107413448	1	ROTARY SWITCH 2 POS 16A KIT	[2]
9	107404542	1	ANTI-INTEFERENCE CAPACITOR SET	
10	107413449	1	ROTARY SWITCH 3 POS+REG 16A KIT	[3]
11	302004050	1	Håndtag	[4]
11	107400062	1	Bærehåndtag	[5]
12	302004051	1	FILTER DEDUSTER	[6]
13	302004061	1	O-RING 25X2 NBR 70	
14	107400061	1	Cover Black Xc Basic	
14	302004046	1	COVER BLACK PC	
15	302004027	1	Rørholder	
16	107400064	1	Holder For Sugerør	
17	107402644	1	POWER CORD H05RR-F2X0.75X8.25	[7]
17	107417418	1	POWER CORD KIT VCTF 1.25MM 3C JP PSE	[8]
17	107400268	1	CORD H05RR-F 2X0.75 GB	
17	107409849	1	POWER CORD H05RN-F 2X1.0X8.25M AU - KIT	[9]
17	302004038	1	POWER CORD H07RN-F2X1X8.05	[10]
17	302000882	1	POWER CORD SJTW-AWG16/3X8	[11]
17	107402642	1	Elkabel, DK	[12]
17	107400267	1	Cord H05Rr-F 3G1.0 Ch	[13]
17	302004014	1	Cord	[14]
17	107402641	1	Power Cord H05Rr-F 3G1.5X 8X2	[15]
17	107400272	1	CORD H05RR-F 3G1.5 ZA	[16]
17	302004040	1	CORD SJTW-A AWG16/2 JP	[17]
17	107400271	1	CORD H07BQ-F 3G2.5 GB	[18]
17	107400270	1	CORD H05RR-F 3G1.5 BS1 363 GB	[19]
17	107400266	1	CORD H05RR-F 2X0.75 CH	[20]
17	107409133	1	Strømkabel EU, 7,5 meter, orange	[21]
18	107400263	1	WIRE 2.5 X 250 YE/GR 100-120V	
18	107400264	1	WIRE 1 X 150 220-240V	
19	302004032	1	SCREW 3.5X18	
20	302004029	1	Screw 5X18	
21	302004060	1	Auto On-Off Switch E.Soft Start	[22]
21	302004011	1	Auto On-Off Switch Electr Onic	[23]
21	107400470	1	AUTO ON-OFF ELECTRONIC PC	[24]
22	107413465	1	SOFTSTART PCBA 1-STAGE KIT1 220-240V	[25]
22	107413466	1	SOFTSTART PCBA 1-STAGE KIT1 100-120V	[26]
22	107413467	1	AUTO ON/OFF PCBA 1-STAGE KIT1 220-240V	[27]
22	107413468	1	AUTO ON/OFF PCBA 1-STAGE KIT1 100-120V	[28]
23	107414081	1	WIRE/CAPACITOR KIT1	
24	107414082	1	WIRES FOR US SOCKET KIT	[29]
25	107400261	1	Auto On-Off Electronic Xc	[30]
25	107400260	1	Auto On-Off printplade (XC-modeller)	[31]

Part Notes:

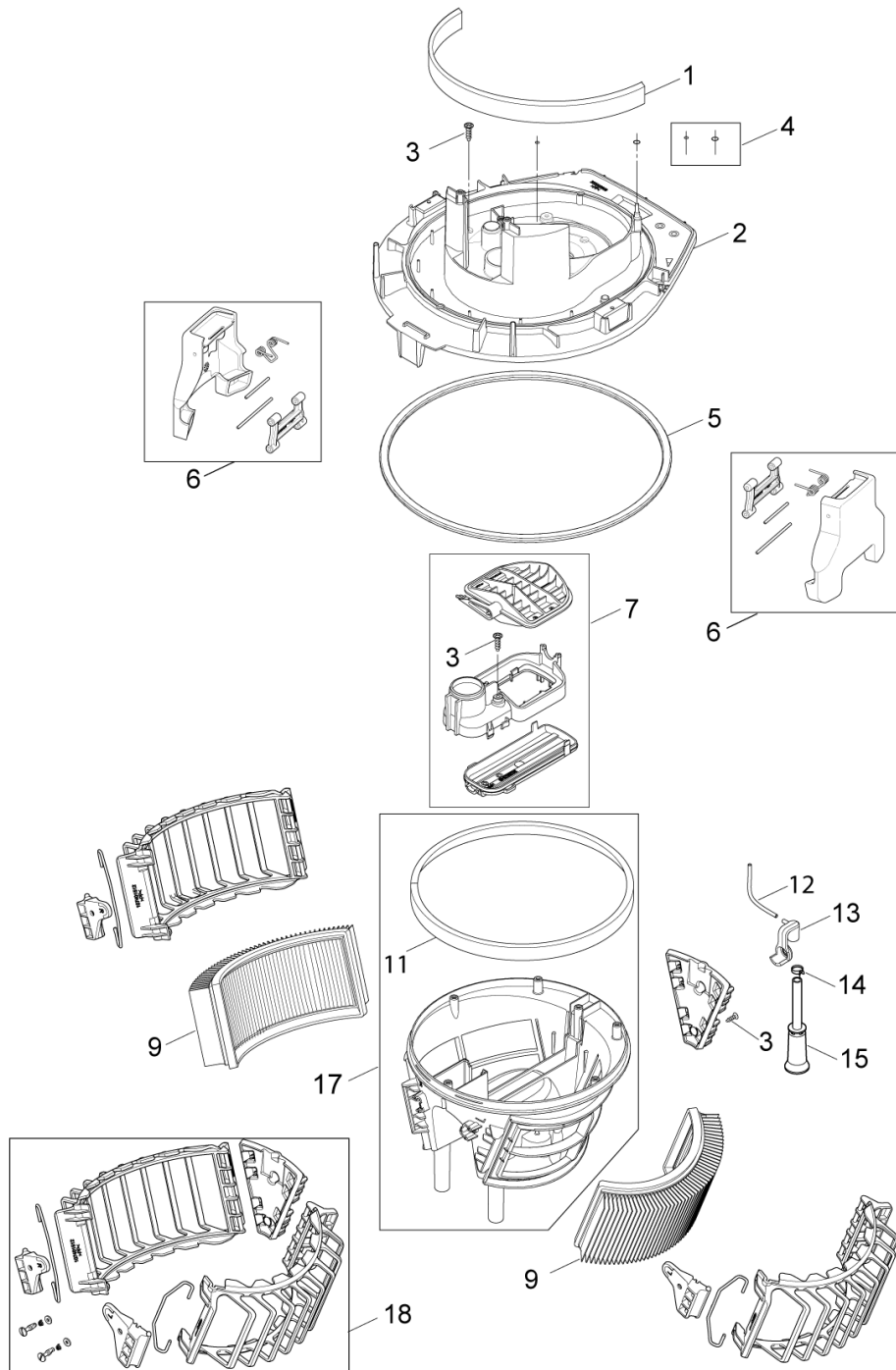
- [1] - for Push clean and XC
- [2] - for -01 PC without softstart
- [3] - From Serial Number 3510151400934
- [4] - Basic/XC
- [5] - for Push clean
- [6] - Only Push Clean models
- [7] - 220-240V 50/60HZ EU
- [8] - 100V 50/60HZ JP
- [9] - ATTIX 30-01 PC 240V 50HZ AU
- [10] - GB
- [11] - 120V 60HZ US
- [12] - DK - grounding
- [13] - 220-240V 50/60HZ CH
- [14] - ATTIX 30-01 PC 220-240V 50/60HZ EU
- [15] - 21 XC 230/1/50 EU
- [16] - 220-240V 50/60HZ ZA
- [17] - 100V/50-60HZ JP (Approval UL)
- [18] - 110 1 50 GB
- [19] - 0H PC 230/1/50 GB, 2M PC 230/1/50 GB
- [20] - 230/1/50 CH
- [21] - Orange 220-240V 50/60HZ EU
- [22] - for -01 PC, -11PC (230-240V)
Up to Serial Number 3510151400934
PB-COM-LI-2015-001 ATTIX 30-40-50 PC_New Electronics
- [23] - for -21 PC (230-240V)
Up to Serial Number 3510151400934
PB-COM-LI-2015-001 ATTIX 30-40-50 PC_New Electronics
- [24] - for -21 PC (110-120V)
Up to Serial Number 3510151400934
PB-COM-LI-2015-001 ATTIX 30-40-50 PC_New Electronics
- [25] - -01 PC, -11 PC (230-240V), From Serial Number 3510151400934
PB-COM-LI-2015-001 ATTIX 30-40-50 PC_New Electronics
- [26] - -01 PC (110-120V) From Serial Number 3510151400934
PB-COM-LI-2015-001 ATTIX 30-40-50 PC_New Electronics
- [27] - -21 PC (230V), From Serial Number 3510151400934
PB-COM-LI-2015-001 ATTIX 30-40-50 PC_New Electronics
- [28] - -21 PC (100-120V) From Serial Number 3510151400934
PB-COM-LI-2015-001 ATTIX 30-40-50 PC_New Electronics
- [29] - US only
- [30] - for -21 XC (100-120V)
PB-COM-LI-2015-001 ATTIX 30-40-50 PC_New Electronics
- [31] - for -21 XC(230-240V)
PB-COM-LI-2015-001 ATTIX 30-40-50 PC_New Electronics



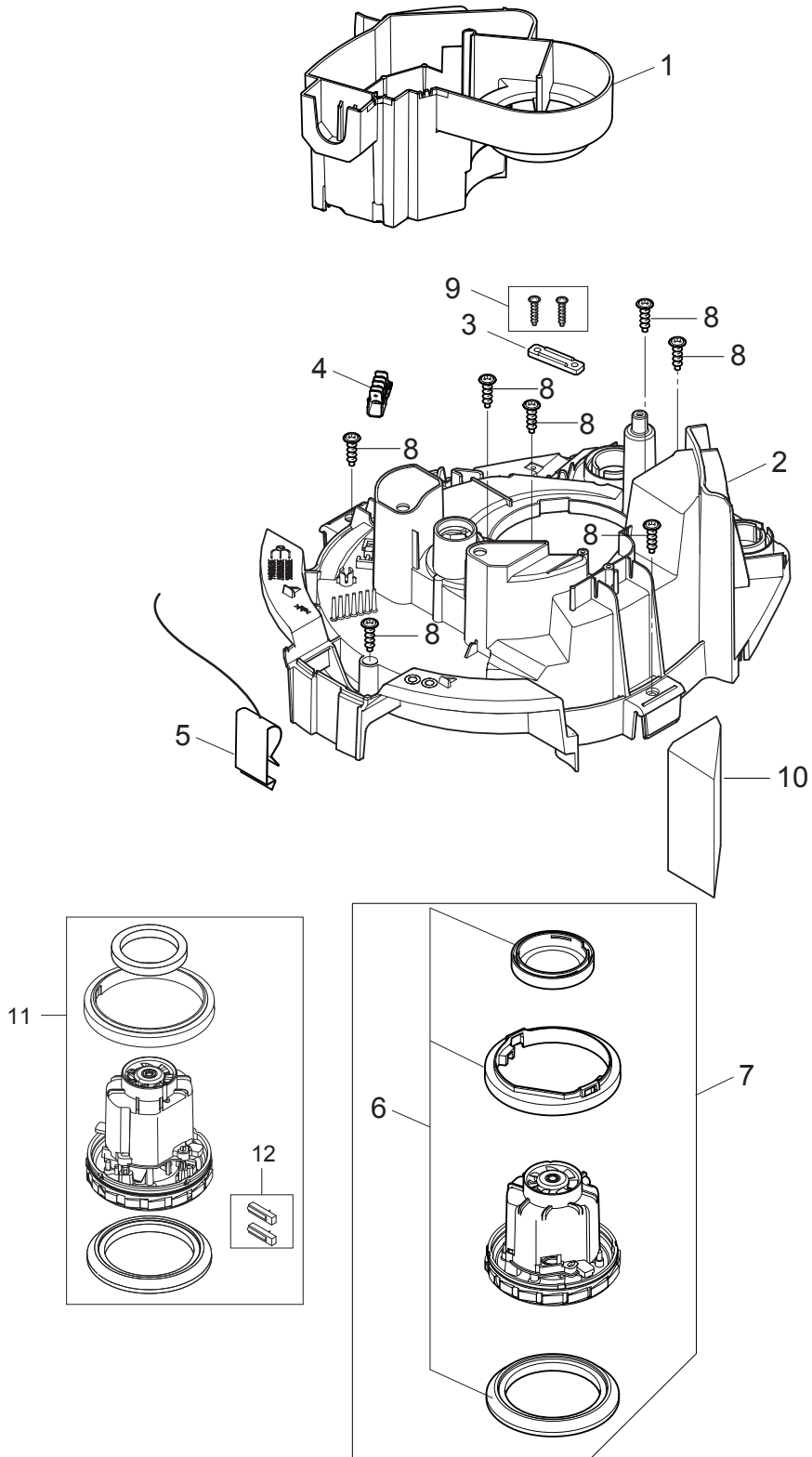
Pos.	Vare-nr	Antal	Beskrivelse	Notes
1	302004010	1	Sound Insulation Front	
2	302004007	1	Monteringsplade	
3	302004008	1	Pakning	
4	302000460	1	Tætning til filter	
5	302004016	1	Afskærmning	
6	302001095	1	Filterelement HEPA 14	[1]
6	302000490	1	Filterelement PET-fleece M-klasse	
7	107402646	1	Filter Support Cage	
8	107400301	2	Clamp For Beholder	
9	909100083	1	Fjeder	
10	302000344	1	Klap	
12	107401937	1	PLUG BASE PLATE KIT	[2]
13	302003704	3	SCREW EJOT DELTA PT50X18WN5451	
14	302004058	1	PLUG FOR BASIC	

Part Notes:

- [1] - HEPA
- [2] - For machines up to week 35.2011



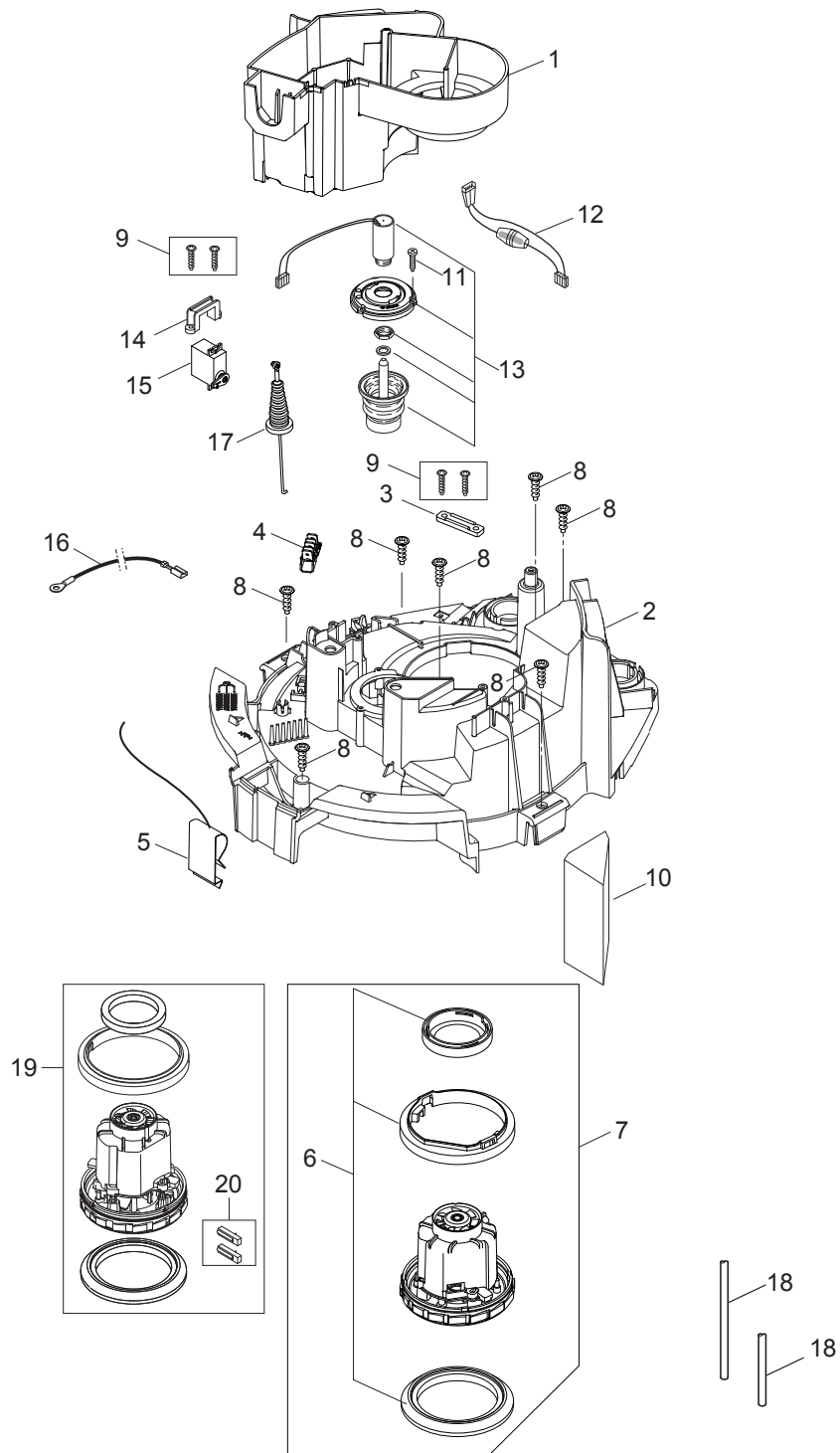
Pos.	Vare-nr	Antal	Beskrivelse	Notes
1	302004010	1	Sound Insulation Front	
2	107400300	1	Spændeplade	
3	302004029	9	Screw 5X18	
4	107400274	1	O-RING XC KIT	
5	107400056	1	Pakning For Beholder	
6	107400301	2	Clamp For Beholder	
7	107400277	1	CX FLAP KIT	
9	302002842	1	Kassette-filter PET Nano M-kl. (2 stk.)	
11	107400283	1	Pakning	
12	107400855	1	HOSE D3X1.5 TURBINE SIDE XC	
13	107400310	1	MOUNT FOR WATERLEVEL CONTROL	
14	107400285	1	BAND CLAMP FITTING	
15	107400303	1	Slange, Ø42 X 155	
17	107400302	1	Filterkonsol	
18	107402255	1	Filtermonteringsæt XC	



Pos.	Vare-nr	Antal	Beskrivelse	Notes
1	302004015	1	Airguide	[1]
2	302004009	1	CLAMPINGPLATE PC	
3	302004030	1	STRAP FOR CABLE	
4	302004031	1	DISTRIBUTION STRIP 6-POL 16A	
5	302004023	1	CONTACT SPRING	
6	302003385	1	Paknings-Sæt	
7	302003384	1	Turbine kit 1200W 230V	
7	302004006	1	Motor 1200W/100V Jp W.Gas Ket	
8	302004029	7	Screw 5X18	
9	302004032	1	SCREW 3.5X18	
10	302004045	1	Lydisolering	
11	107417417	1	MOTOR KIT 1000W 110-120V 50/60HZ	[2]
12	107417399	1	CARBON BRUSH ASSY KIT 2 PCS 110-120V	[2]

Part Notes:

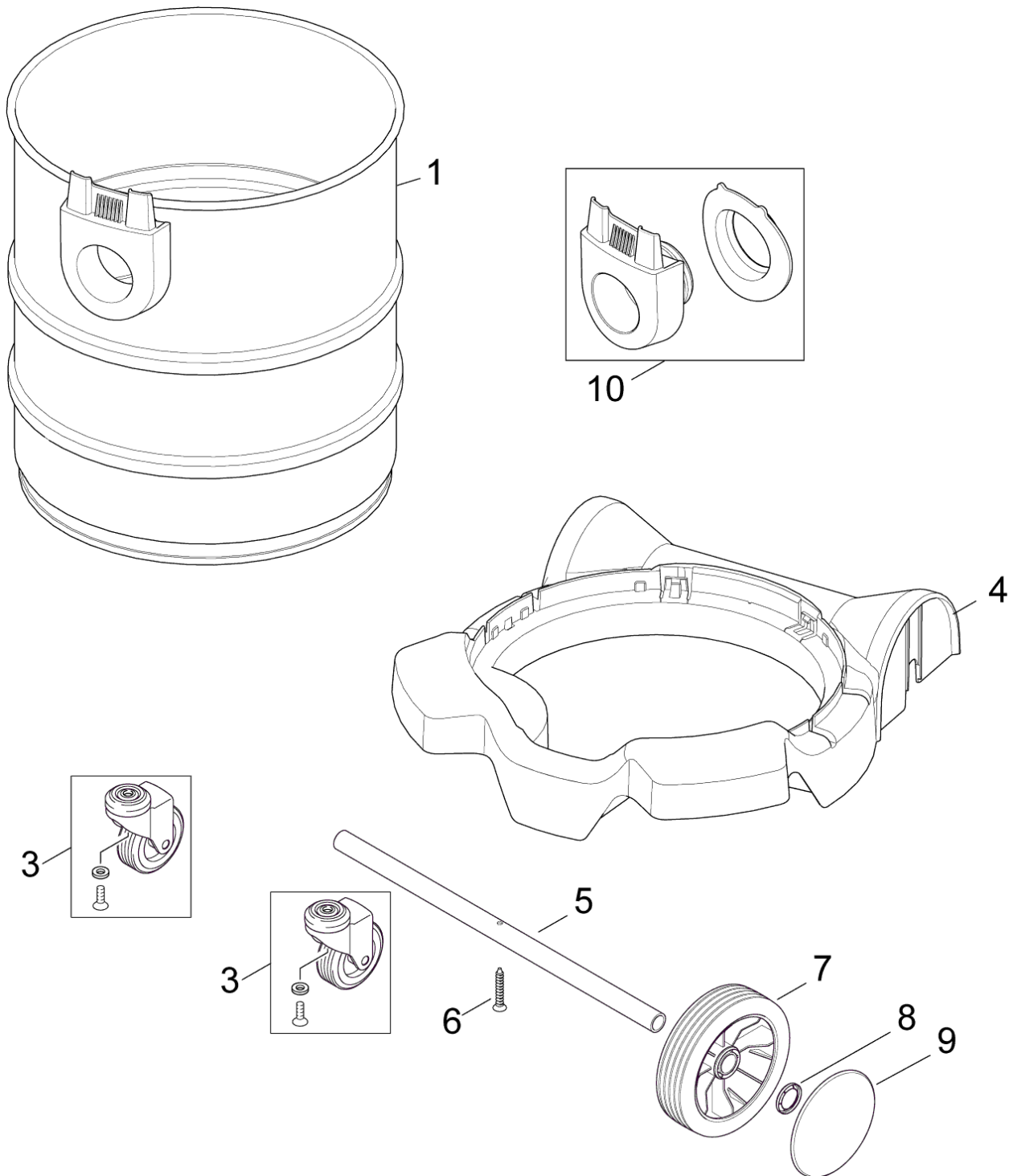
- [1] - During service or repair of vacuum head always change Airguide 302004015 and Cover for air circuit 107401051
- [2] - 110V 50HZ GB, 120V 60HZ US
- TSB-LI-VACS-2016-001 New Attix 30 and Attix 50 motor



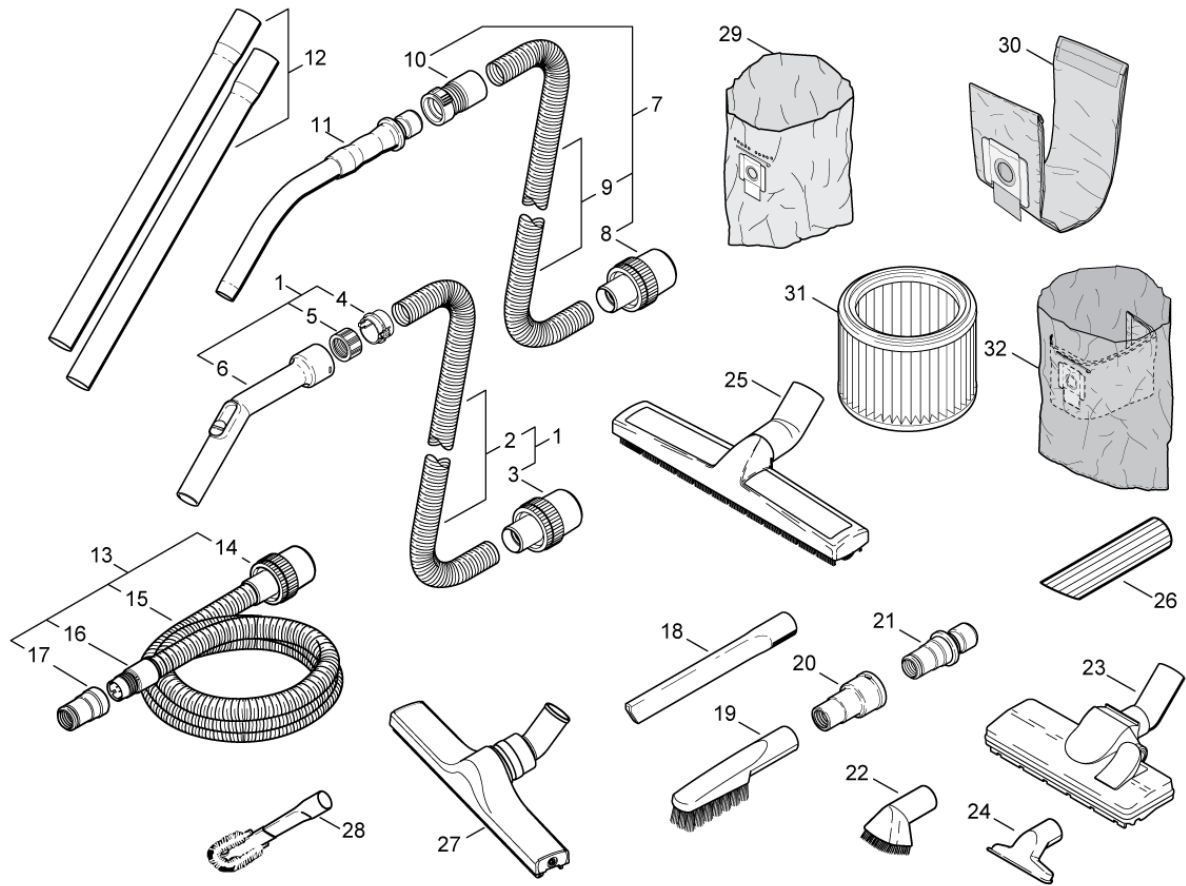
Pos.	Vare-nr	Antal	Beskrivelse	Notes
1	302004015	1	Airguide	[1]
2	107400287	1	CLAMPINGPLATE XC	
3	302004030	1	STRAP FOR CABLE	
4	302004031	1	DISTRIBUTION STRIP 6-POL 16A	
5	302004023	1	CONTACT SPRING	
6	302003385	1	Paknings-Sæt	
7	302003384	1	Turbine kit 1200W 230V	
7	302004006	1	Motor 1200W/100V Jp W.Gas Ket	
8	302003704	7	SCREW EJOT DELTA PT50X18WN5451	
9	302004032	2	SCREW 3.5X18	
10	302004045	1	Lydisolering	
11	302003319	3	Skrue-Sæt	
12	107410697	1	SOLENOID FUSE WIRE 230V AT 0,5A KIT	
13	107400291	1	Magnet 230V	
13	107400292	1	MAGNET 12V FPR 110V MACHINE	
14	107400289	1	SERVO BRACKET	
15	107400290	1	Servo til XC	
16	107400262	1	WIRE 1X200 YELLOW/GREEN	
17	107400276	1	Servo Wire Xc	
18	107400309	2	HOSE D3X1.5 TURBINE SIDE XC	
19	107417417	1	MOTOR KIT 1000W 110-120V 50/60HZ	[2]
20	107417399	1	CARBON BRUSH ASSY KIT 2 PCS 110-120V	[2]

Part Notes:

- [1] - During service or repair of vacuum head always change Airguide 302004015 and Cover for air circuit 107401051
 [2] - 110V 50HZ GB, 120V 60HZ US
 TSB-LI-VACS-2016-001 New Attix 30 and Attix 50 motor



Pos.	Vare-nr	Antal	Beskrivelse	Notes
1	302004053	1	CONTAINER W.FITTING ATT40 INOX	
3	302004059	2	Hjul til beholder	
4	302004055	1	Bundramme til beholder INOX	
5	302004057	1	WHEEL AXLE	
6	302004033	1	SCREW 5X30	
7	302000639	2	Hjul Ø150	
8	47302	2	Låseskive	
9	67050	2	Navkapsel	
10	107402743	1	INLET - KIT FOR ATTIX 40	



Pos.	Vare-nr	Antal	Beskrivelse	Notes
1	302000473	1	Sugeslange m. rørbøjning Ø32	
2	14240	1	Sugeslange universal pr. meter Ø32	
3	15103	1	Slangemuffe Ø32/50	
4	61154	1	Ring Ø32	
5	302000476	1	Bøsning	
6	60911	1	Rørbøjning Ø32/35	
7	46948	1	Sugeslange universal 3 m lynkobling Ø36	
8	15102	1	Slangemuffe Ø36/50	
9	11985	1	Sugeslange Ø36 pr. meter (max. 20 meter)	
10	46690	1	Slangemuffe universal Ø36	
11	302000528	1	Rørbøjning krom-belagt lynkobling Ø36	
12	107408074	1	Forlængerrør RF 505 mm 2 stk. Ø36	
12	302000529	1	Forlængerrør krom 500 mm 2 stk. Ø36	
12	107400032	1	Forlængerrør alu 500 mm 2 stk. Ø36	
13	107406091	1	Sugeslange AntiStatic 3,5m Ø27 m.adapter	
14	15369	1	Slangemuffe Antistat Ø27	
15	15326	1	Sugeslange AntiStatic pr. meter Ø27	
16	63509	1	Gevindstykke Ø27	[1]
17	107404520	1	Adapter Ø27/36	
18	6084	1	Fugemundstykke plast 300 mm Ø36	
19	6086	1	Børstemundstykke plast 230 mm Ø36	
20	60916	1	Adapter til el-værktøj Ø36	
21	302000535	1	Adapter til el-værktøj AntiStatic	
22	5146	1	Børstemundstykke plast 70 mm Ø36	
23	302000477	1	Kombimundstykke plast 260 mm Ø36	
24	14295	1	Polstermundstykke plast 115 mm Ø36	
25	60356	1	Gulvmundstykke 360 mm Ø36 wet/dry	
26	5067	1	Fugemundstykke gummi 190 mm Ø36	
27	302003666	1	Gulvmundstykke 400 mm Ø36	
27	302003796	1	Børstelister (2 stk.)	
27	302003797	1	Gummilæber (2 stk.)	
27	302003796	1	Børstelister (2 stk.)	[2]
27	302003797	1	Gummilæber (2 stk.)	[2]
28	5144	1	Radiatorbørste plast Ø36	
29	302000804	1	Opsamlingsposer (5 stk.)	
30	302004004	1	Støvsugerposer fleece (5 stk.)	
30	302004000	1	Støvsugerposer fleece (5 stk.)	
31	302000490	1	Filterelement PET-fleece M-klasse	
50	107400079	1	Luftautomatik-box 230 V	[3]
50	15340	1	Forlængerrør alu varmeisoleret 2,5 m Ø38	[3]

Part Notes:

- [1] - STOCK COVERS GUARANTEE
- [2] - For floor nozzle 302003666
- [3] - Use link

RECOMMENDED SPARE PARTS

ATTIX 40-01 PC

2014.11.27

2016.10.10

Pos.	Vare-nr	Antal	Beskrivelse	Notes
01	107400060	1	Strømuttag 250 V Dk	
01	107400272	1	CORD H05RR-F 3G1.5 ZA	
01	107400276	1	Servo Wire Xc	
01	107400292	1	MAGNET 12V FPR 110V MACHINE	
01	107400309	1	HOSE D3X1.5 TURBINE SIDE XC	
01	107413448	1	ROTARY SWITCH 2 POS 16A KIT	[1]
01	302004027	1	Rørholder	
01	107400267	1	Cord H05Rr-F 3G1.0 Ch	
01	302004038	1	POWER CORD H07RN-F2X1X8.05	
01	107400301	1	Clamp For Beholder	
01	302000882	1	POWER CORD SJTW-AWG16/3X8	
01	302004059	1	Hjul til beholder	
01	107400290	1	Servo til XC	
01	107402641	1	Power Cord H05Rr-F 3G1.5X 8X2	
01	107402255	1	Filtermonterings sæt XC	
01	302003385	1	Paknings-Sæt	
01	302004004	1	Støvsugerposer fleece (5 stk.)	
01	302004040	1	CORD SJTW-A AWG16/2 JP	
01	107400855	1	HOSE D3X1.5 TURBINE SIDE XC	
01	107400270	1	CORD H05RR-F 3G1.5 BS1 363 GB	
01	107400268	1	CORD H05RR-F 2X0.75 GB	
01	302004011	1	Auto On-Off Switch Electr Onic	[2]
01	302004053	1	CONTAINER W.FITTING ATT40 INOX	
01	107400261	1	Auto On-Off Electronic Xc	[3]
01	302004338	1	SOCKET 15A/125V US/CSA	
01	302000460	1	Tætning til filter	
01	302002842	1	Kassette-filter PET Nano M-kl. (2 stk.)	
01	107417417	1	MOTOR KIT 1000W 110-120V 50/60HZ	
01	107400291	1	Magnet 230V	
01	302000490	1	Filterelement PET-fleece M-klasse	
01	302004015	1	Airguide	[4]
01	107402646	1	Filter Support Cage	
01	302004006	1	Motor 1200W/100V Jp W.Gas Ket	
01	302004036	1	SOCKET 16A/250V FR	
01	107400283	1	Pakning	
01	302004060	1	Auto On-Off Switch E.Soft Start	[5]
01	302004007	1	Monteringsplade	
01	107400057	1	SOCKET 16A/110V GB	
01	107400303	1	Slange, Ø42 X 155	
01	302004034	1	Stikdåse 16A/250V Eu	
01	302001095	1	Filterelement HEPA 14	[6]
01	107400300	1	Spændeplade	
01	302003384	1	Turbine kit 1200W 230V	
01	107400059	1	SOCKET 10A/250V CH	
01	302000639	1	Hjul Ø150	
01	107402255	1	Filtermonterings sæt XC	
01	107402644	1	POWER CORD H05RR-F2X0.75X8.25	
01	107400260	1	Auto On-Off printplade (XC-modeller)	[7]
01	107400266	1	CORD H05RR-F 2X0.75 CH	
01	107409849	1	POWER CORD H05RN-F 2X1.0X8.25M AU - KIT	
01	302004009	1	CLAMPINGPLATE PC	
01	107402642	1	Elkabel, DK	
01	107400271	1	CORD H07BQ-F 3G2.5 GB	
01	302004058	1	PLUG FOR BASIC	
01	107400064	1	Holder For Sugerør	
01	107401937	1	PLUG BASE PLATE KIT	
01	302002842	1	Kassette-filter PET Nano M-kl. (2 stk.)	
01	302004008	1	Pakning	
01	302004014	1	Cord	

RECOMMENDED SPARE PARTS

ATTIX 40-01 PC

2014.11.27

2016.10.10

Pos.	Vare-nr	Antal	Beskrivelse	Notes
01	302004336	1	SOCKET 13A/250V GB	
01	47302	1	Låseskive	

Part Notes:

- [1] - FOR -01 PC WITHOUT SOFTSTART
- [2] - FOR -21 PC
- [3] - 100-120V
- [4] - During service or repair of vacuum head always change Airguide 302004015 and Cover for air circuit 107401051
- [5] - FOR -11 PC & -01 PC WITH SOFTSTART
- [6] - HEPA
- [7] - 230-240V

