

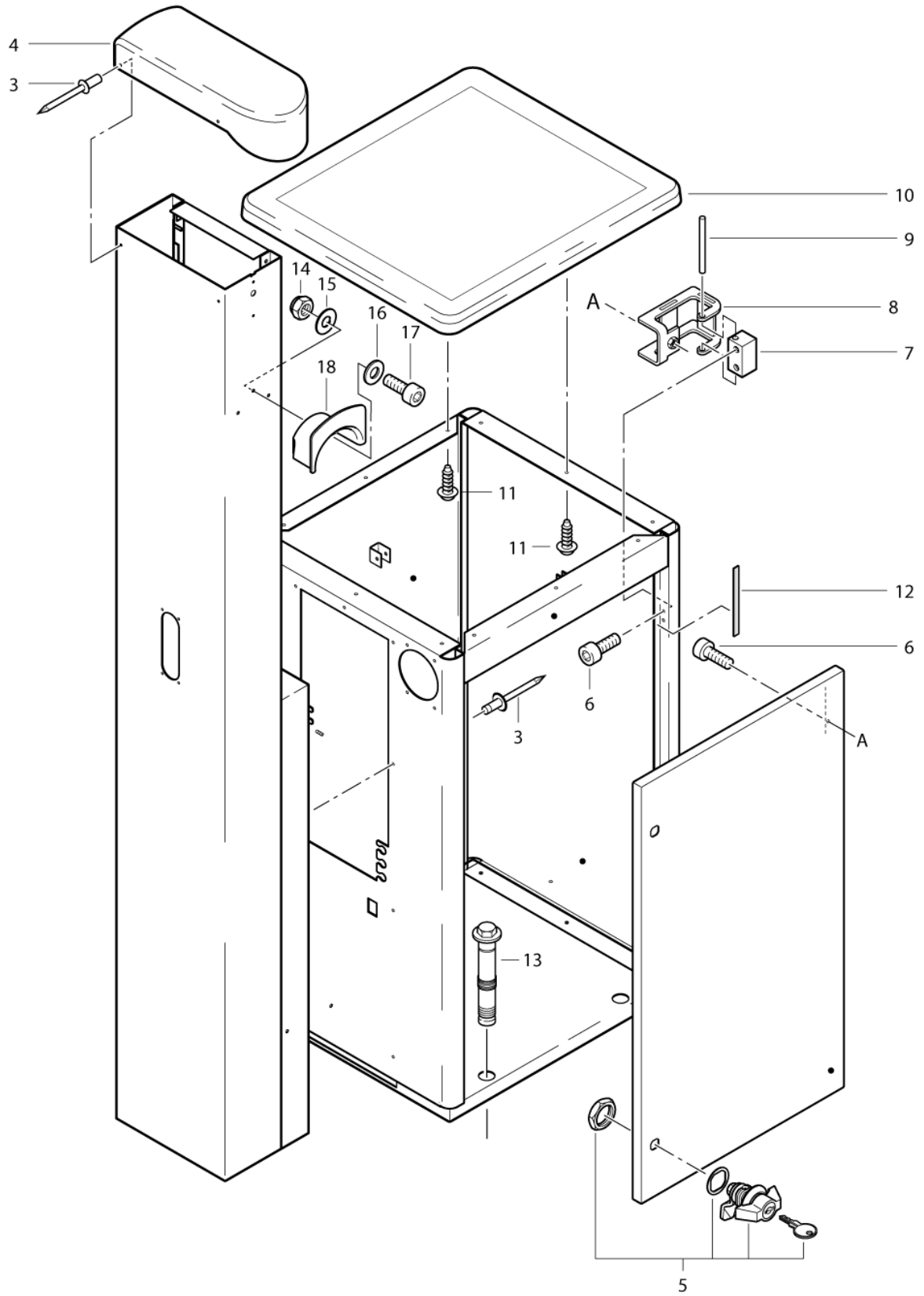
PARTS LIST



2017.08.01

TABLE OF CONTENTS

Cabinet parts SB-STATION	1
Coiner SB-STATION	3
Retractor SB-STATION	6
Suction hose and nozzle SB-STATION	8
Filter insert	10
Motor	12
Motor MARATHON	14
Electric components	16
RECOMMENDED SPARE PARTS	18



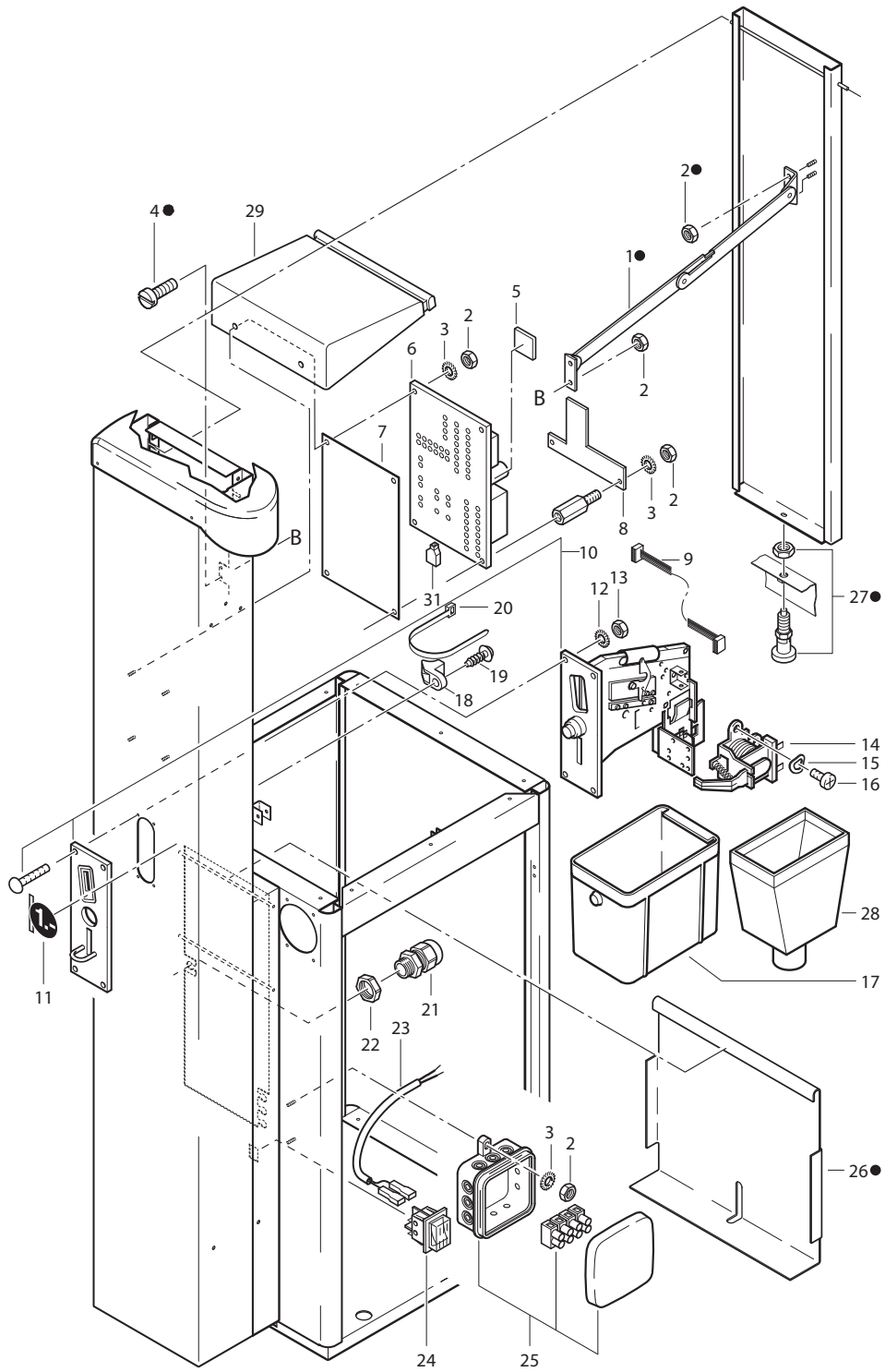
Pos.	Vare-nr	Antal	Beskrivelse	Notes
00	107401500	1	SB VACUUM LABEL KIT TOTAL	
00	64846	1	LABEL VACUUM CLEANER ARAL	
00	107401497	1	SB VACUUM LABEL KIT DEA	[1]
00	64968	1	HOUSING SB STATION	[2]
00	107401499	1	SB VACUUM LABEL KIT AGIP	
00	302000092	1	DOOR SB-STATION	
00	302000104	1	DOOR SB-TANDEM ALTO	
00	302001878	1	LABEL NILFISK SB STATION	
00	107401498	1	SB VACUUM LABEL KIT AVIA	
03	7063	1	BLIND RIVET 4.8X10X9.5 A ALU/ST	
04	64006	1	Topdæksel Sb Station	
05	64086	1	Greb M. Nøgle Sb-Station	[3]
06	4697	1	SCREW M6X16	
07	64022	1	BRACKET FOR HINGE S/S STATION 18X18X34MS	
08	64021	1	HINGE BRACKET	[4]
09	64085	1	PARALLEL PIN 5 X60	
10	64004	1	PANEL UPPER PART SB-S	
11	10028	1	Skrue	
12	106408238	1	ADHESIVE TAPE 15X2 MEWA RUBBER- 2 METERS	[5]
13	43906	1	DOWEL M8 S12/10	[3]
14	33158	1	LOCK NUT M6 A2 DIN 985	
15	2764	1	Washer 6,4X1,6	
16	14805	1	Skive	
17	24309	1	CYLINDER SCREW M6X25 ISO 4762 SS A2	
18	43064	1	Slangeholder	

Part Notes:

- [1] - PART NEVER LAUNCHED
 [2] - NO LONGER AVAILABLE

Blue front door: Station=302000092; Tandem:302000104

- [3] - PLEASE CONTACT CARWASH DIRECTLY
 [4] - PART OF 64968
 [5] - ** SEE NOTE

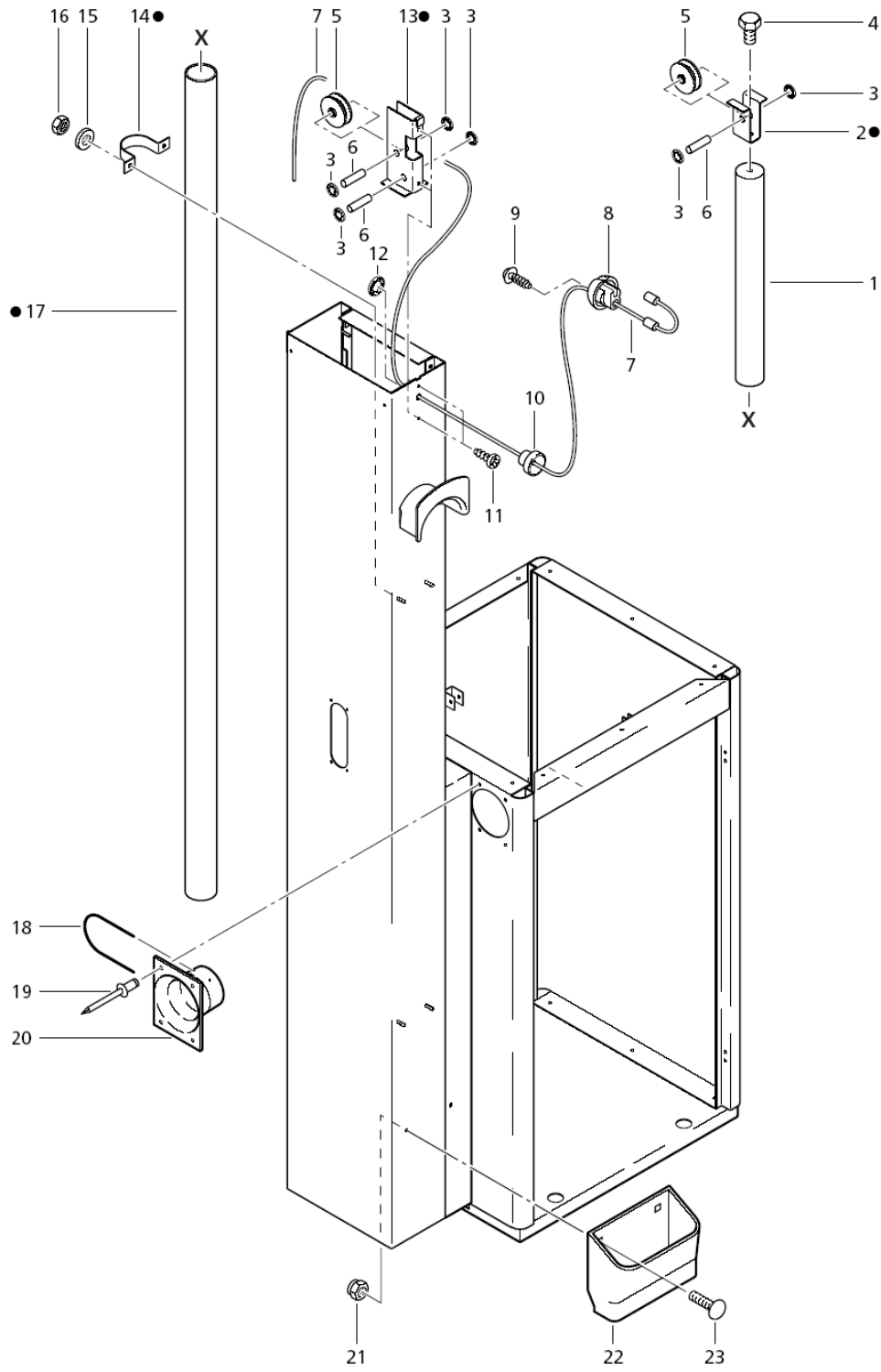


Pos.	Vare-nr	Antal	Beskrivelse	Notes
01	64042	1	BRACKET 290LG S	[1]
02	2759	1	Møtrik M8	[1]
03	4021	1	SERRATED LOCK WASHER A4	
04	8914	1	HEX. SCREW M4X10 ISO 4017 ZN	[1]
05	53840	1	JUMPER 2 POL INSULATED	
06	107402334	1	Print Til Sb Station	[2]
07	46678	1	Cover For Timer Pcb Rear	
08	64497	1	Cover 100X67.5 S/S/-Timer	
09	61408	1	CABLE 10 POLE 600MM	[3]
10	302000306	1	COINS EURO/TOKEN 12VDC	
10	302000305	1	Mønttæller Euro/polet 12 vdc	[3]
10	29283	1	COINS 10 NOK	
10	64857	1	COINER NOK WM/EURO KPL.	
10	31811	1	COINER CHF 1 220V 740	[4]
10	43398	1	COINER CZK 10 230V 740	
10	309000117	1	COIN ACCEPTOR HUF TOKEN/E	
10	64793	1	COIN CHF WITH EURO 12	
10	5544	1	Poletter (50 stk.)	
10	29181	1	COIN ACCEPTOR HUF 50.- 23	
10	65785	1	COINER EURO 0.5 230V 740 150X50	[3]
10	64859	1	COINER SEK WM/EURO 12DC el.WH ET-VPE	
10	33197	1		
10	302000390	1	COIN-ACCEPTOR UNIT	
10	31724	1	Møntindkast (Poletter)	
10	302000391	1	COIN-ACCEPTOR UNIT EURO 1	
10	65786	1	COINER EURO 1.- 230V 740 150X50	[3]
10	62227	1	ELECTRONIC COIN BOX	[4]
10	64797	1	Møntindkast Dkk/Euro Komp	
10	64384	1	COINER NOK 20.- 230V 740 150X50	
11	47495	1	Label	[5]
12	2771	1	LOCKWASHER A4 DIN 128 ZN	
13	15319	1	HEXAGON NUT M4	
14	22124	1	OIN BAR SOLENOID	
15	51849	1	Spring Lock Washer A 3	
16	51848	1	Skruer	
17	33421	1	Møntbox	
18	64335	1	HOLDER	
19	10028	1	Skruer	
20	32367	1	CABLE TIE 2.5X1.0X100	[6]
21	4022	1	GROMMET PG 9 OPEN	
22	1954	1	NUT 6KT PG 9 46320 PVC	
23	64229	1	WIRE SYSLY-JZ 2X1.5X400 AEH/FH	
24	43989	1	Switch F. Tw300S	
25	31935	1	DISTRIBUTOR BOX	
26	64032	1	COVER FOR CASH BOX 220x192x40	[1]
27	64041	1	Bolt Ø6	[1]
28	50703	1	COIN GUIDE-C	[7]
29	302000361	1	Cover	
31		1	Part of pos. 6	[8]

Part Notes:

- [1] - PART OF 64968
- [2] - Include pos. 6 and 31
- [3] - PLEASE CONTACT CARWASH DIRECTLY
- [4] - STOCK COVERS GUARANTEE
- [5] - 0,25 / 0,50 / 1.- / 2.- / 2,50 / 5.- / 10.- / 20.- / 25,-
PLEASE CONTACT CARWASH DIRECTLY
- [6] - BUY LOCALLY
- [7] - PART OF 64968 - 10.2002 ==>
GUARANTEE DATE EXPIRED

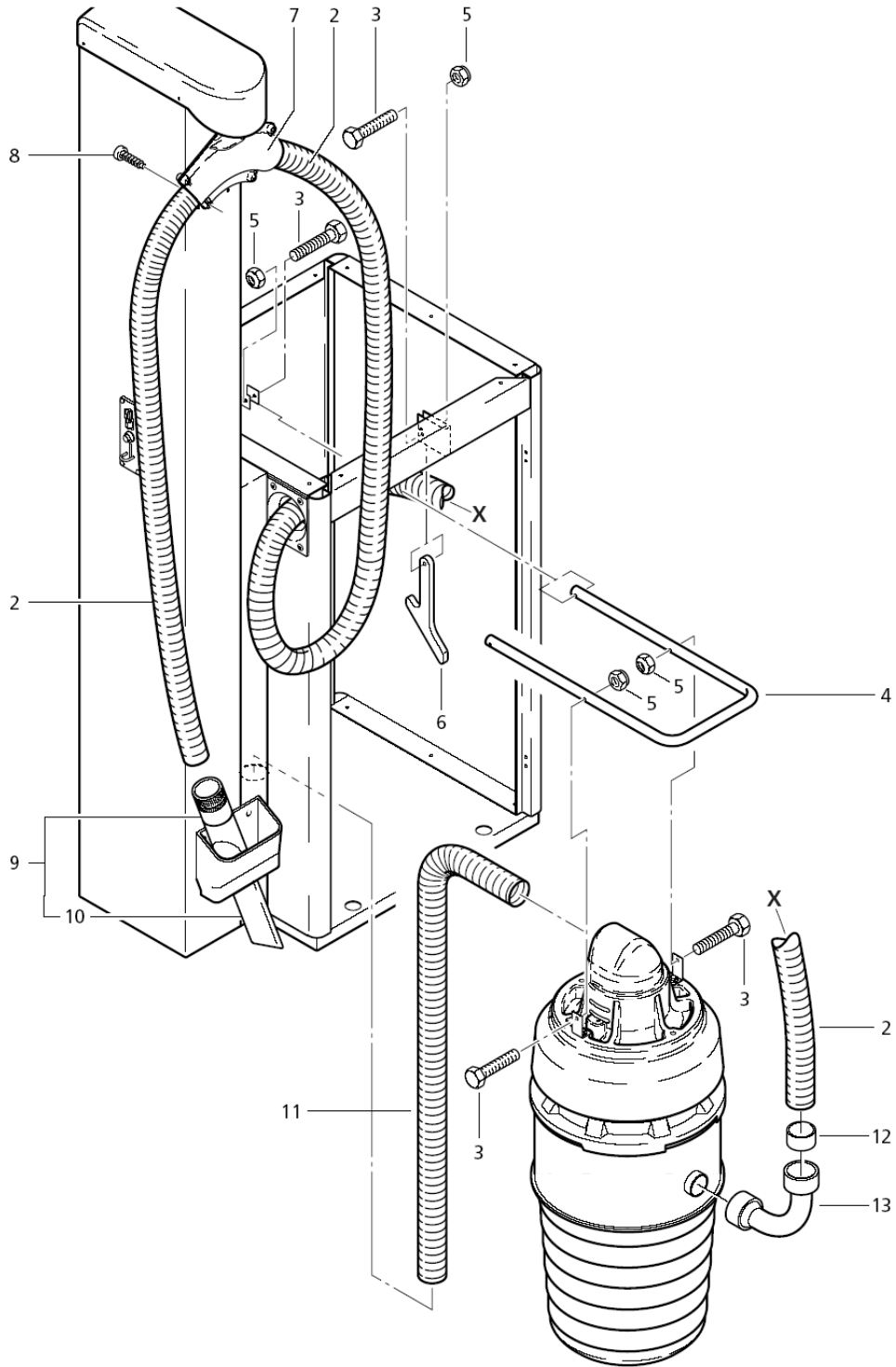
[8] - Part of pos. 6



Pos.	Vare-nr	Antal	Beskrivelse	Notes
01	64038	1	Vægt	
02	64034	1	Holder	[1]
03	64089	1	LOCKING RING 8X1.3 ST	
04	8919	1	Skruer	
05	31507	1	Hjul	
06	64088	1	CYLINDRICAL PIN 8H6X32 DI	
07	43167	1	Koord 3660 Mm.	
08	34213	1	Lukkemekanisme	
09	10028	1	Skruer	
10	31514	1	Stopper	
11	33222	1	THREAD-CUTTING SCREW 4.2X9.5 C-H ISO7049	
12	31664	1	CLAMPING RING	
13	64033	1	BRACKET HOSE RETRACTOR TO	[1]
14	64027	1	PIPE HOLDER - 100X20X50	[1]
15	2764	1	Washer 6,4X1,6	
16	3136	1	Møtrik	
17	64037	1	TUBE D50X1.8 1600LG	[1]
18	64087	1	WIRE BRACKET D2 56.5X90LG	
19	7063	1	BLIND RIVET 4.8X10X9.5 A ALU/ST	
20	64003	1	FUNNEL FOR HOUSE ROUTING	
21	11619	1	Møtrik M6	
22	42591	1	BRACKET	
23	8884	1	FLAT HEAD SCREW M6X16 DIN 603 ZN	

Part Notes:

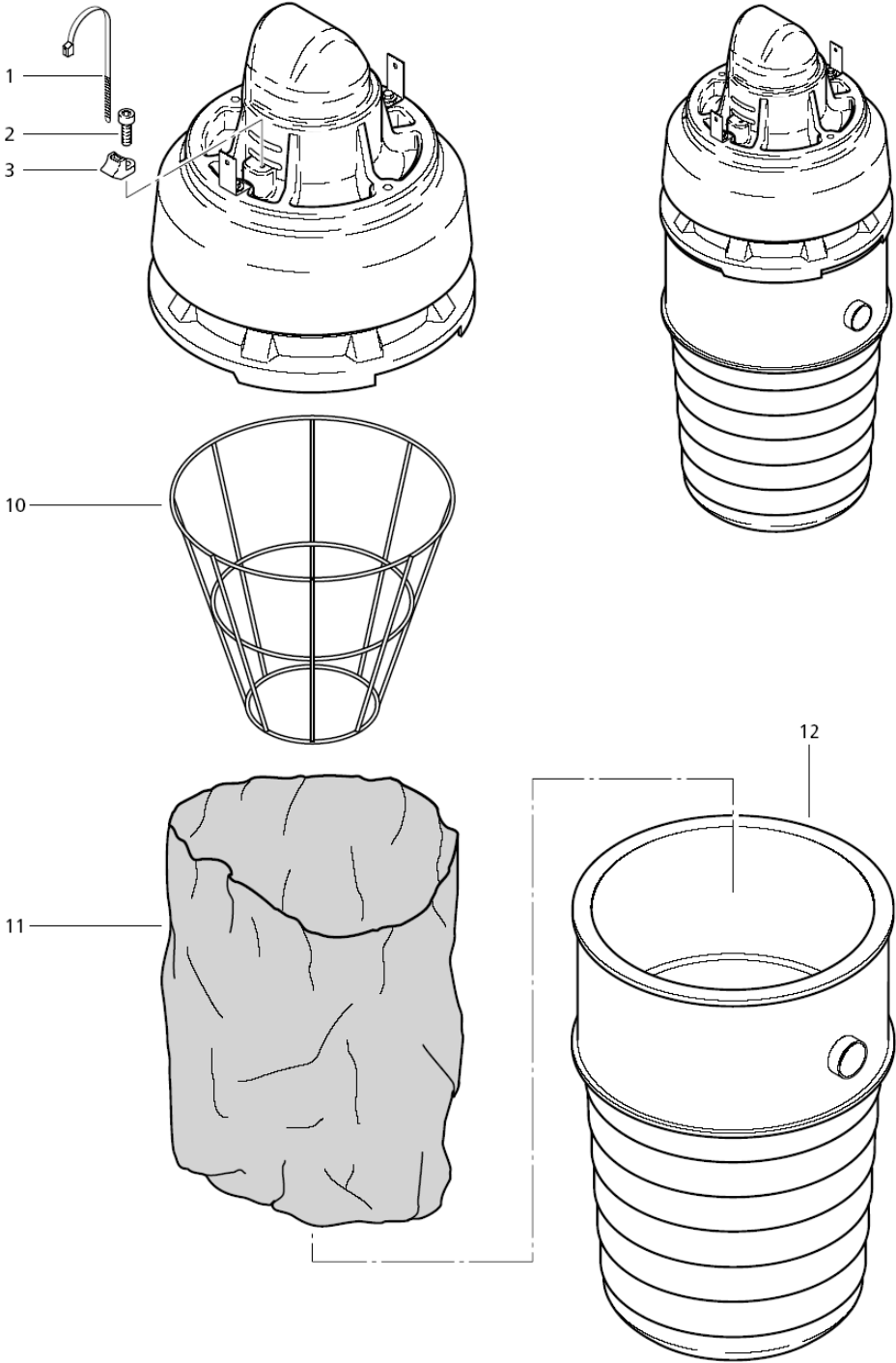
[1] - PART OF 64968



Pos.	Vare-nr	Antal	Beskrivelse	Notes
02	64084	1	Sugeslange 5 m Ø50	
03	8918	1	HEX. SCREW M6X30 ISO 4017 ZN	
04	64036	1	BRACKET FOR LIFTING MECHANISM SS STATIO	
05	11619	1	Møtrik M6	
06	64040	1	PAWL 178X80X12	
07	31113	1	Hose Bracket	
08	10028	1	Skrue	
09	64386	1	Fugemundstykke Ø50	[1]
10	7102	1	Fugemundstykke slagfast plast 350 mm Ø50	[1]
11	11984	1	Sugeslange pr. meter Ø50	[1]
12	66038	1	Bøsning Ø63XØ57X38 Pvc	
13	66039	1	Bøjning 90° Ø63 M.2Xmuffe	

Part Notes:

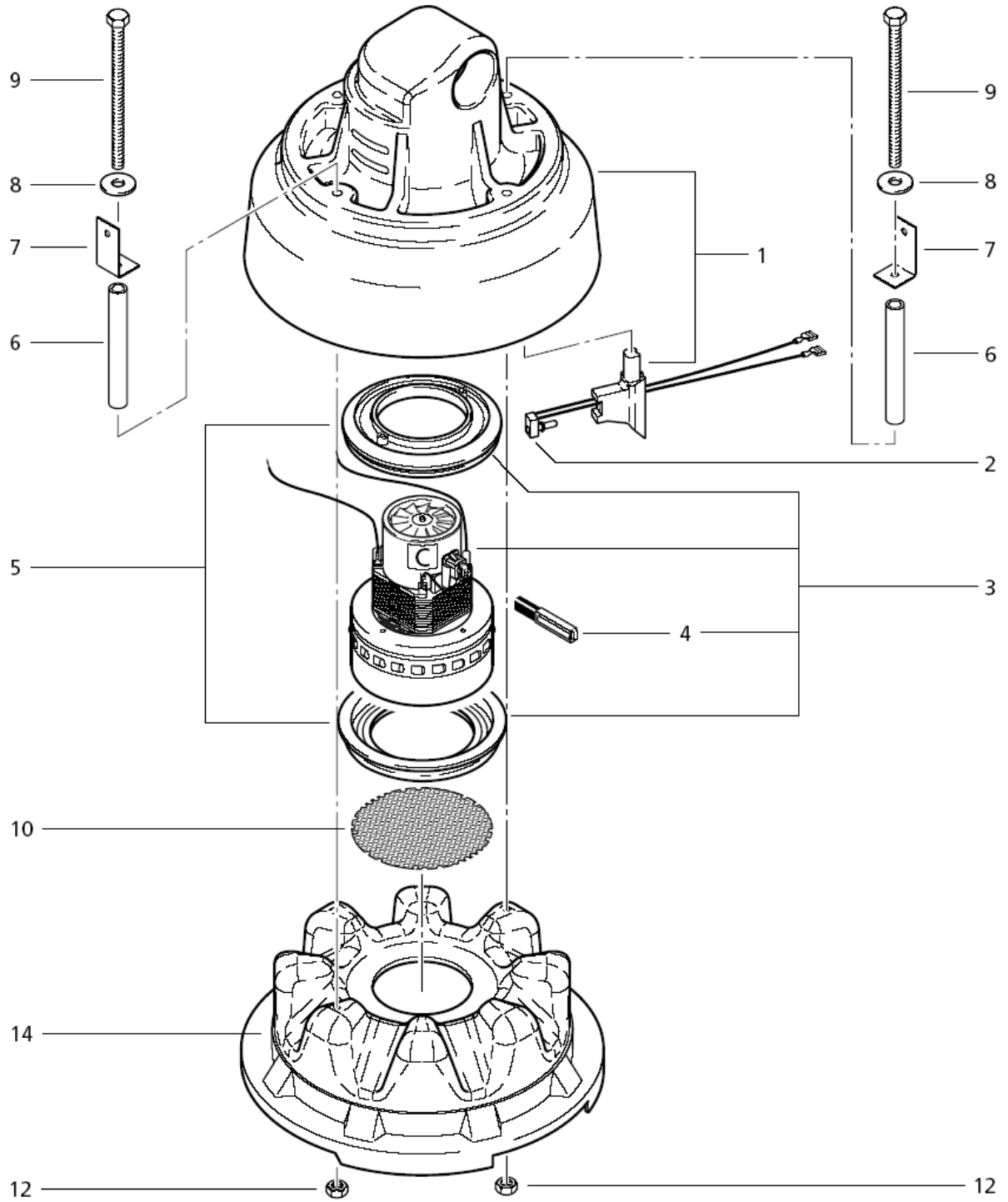
[1] - PLEASE CONTACT CARWASH DIRECTLY



Pos.	Vare-nr	Antal	Beskrivelse	Notes
00	302000357	1	REBUILDING SET FOR SB-STA	[1]
01	8819	1	Strips	
02	3349	1	Skruer	
03	64335	1	HOLDER	
10	302000293	1	Kurv Sb Suger	
11	17069	1	Stoffilter special Ø375 x 350 mm	[2]
12	302000291	1	Beholder Sb Suger	

Part Notes:

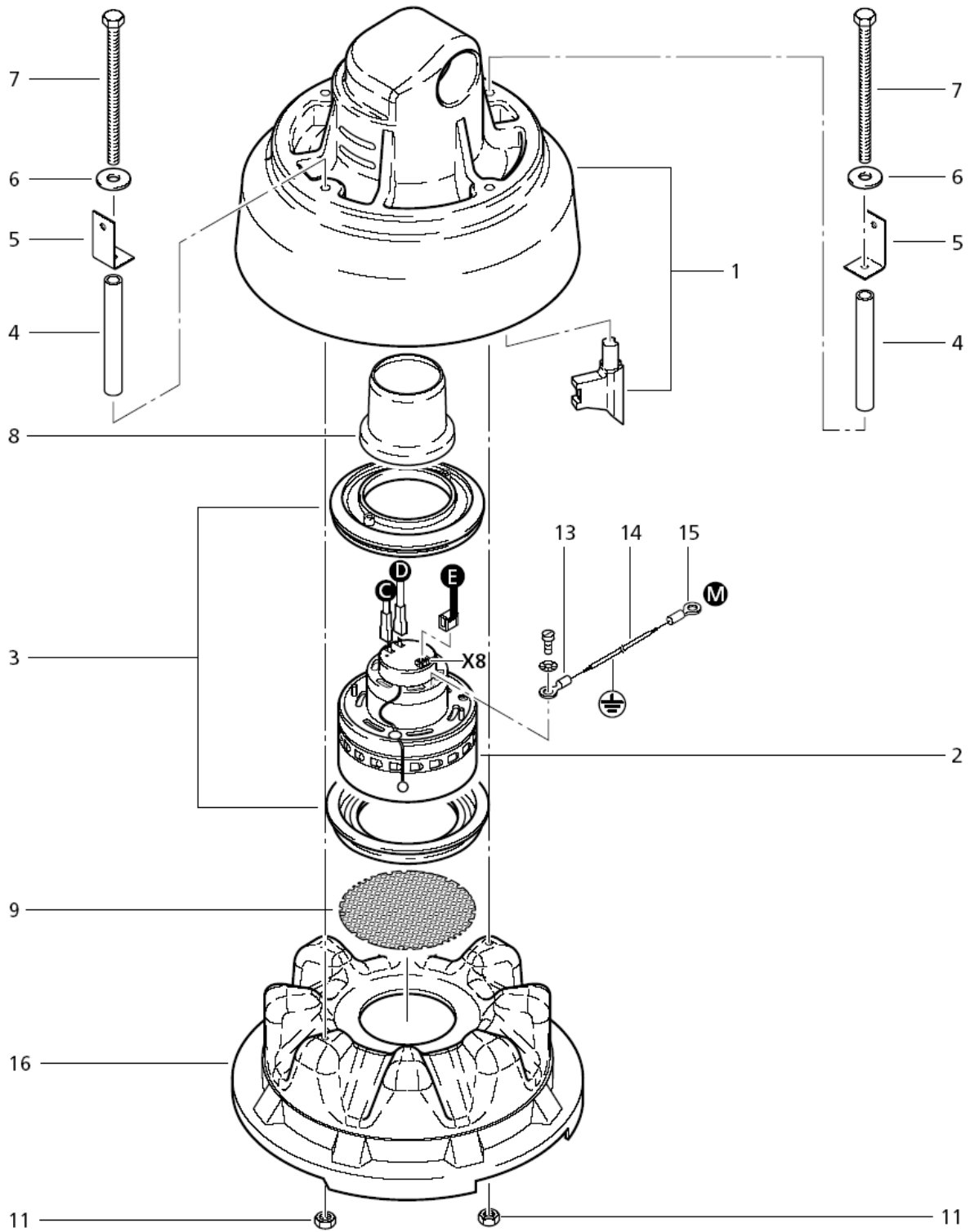
- [1] - SEE STI T021GB02
GUARANTEE DATE EXPIRED
- [2] - PLEASE CONTACT CARWASH DIRECTLY



Pos.	Vare-nr	Antal	Beskrivelse	Notes
01	64008	1	TOP COVER SB STATION	
02	64202	1	Thermostat 10A 250V	
03	62012	1	E-Motor 230V/1400 W	[1]
03	49594	1	Motor 220V 1200W	[2]
03	49598	1	Motor - Turbine 1000W	[3]
04	49625	1	Kulsæt C	[4]
05	42538	1	"Motorpakningssæt ""C"" "	
06	64091	1	SLEEVE 10X77X7	
07	64035	1	ELBOW BRACKET	
08	2766	1	Washer 6,4X1,6	
09	64090	1	HEX HEAD SCREW ISO4017 A2K M6x100	
10	64039	1	PERFORATED PLATE SB-STATION	[4]
12	11619	1	Møtrik M6	
14	302000290	1	COVER D387X153 ABS	

Part Notes:

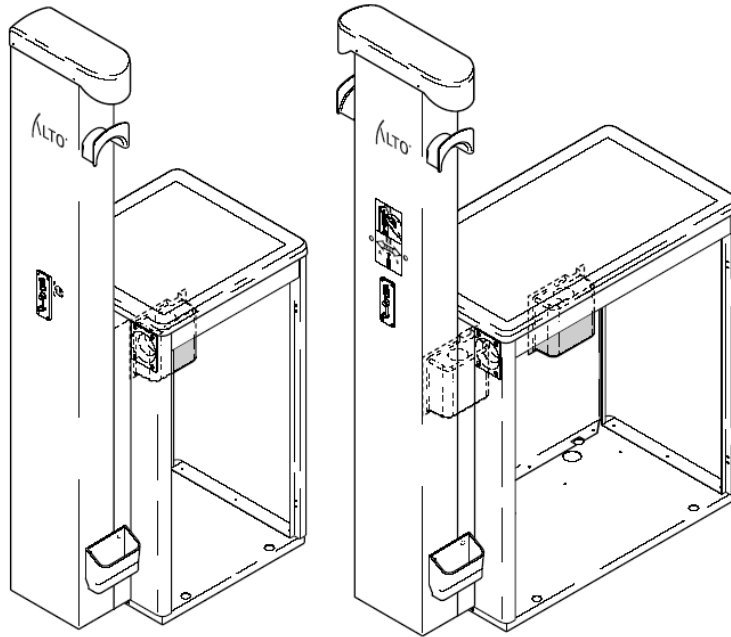
- [1] - 230V 1400W
- [2] - *UK* SB-TANDEM
PLEASE CONTACT CARWASH DIRECTLY
- [3] - *CH*DK* SB-TANDEM
- [4] - PLEASE CONTACT CARWASH DIRECTLY



Pos.	Vare-nr	Antal	Beskrivelse	Notes
01	64008	1	TOP COVER SB STATION	
02	60561	1	Sugemotor 220-240V 1200W	
03	42538	1	"Motorpakningsset ""C"" "	
04	64091	1	SLEEVE 10X77X7	
05	64035	1	ELBOW BRACKET	
06	2766	1	Washer 6,4X1,6	
07	64090	1	HEX HEAD SCREW ISO4017 A2K M6x100	
08	64106	1	SOCKET Ø 85X80 FOR SB-STATIO	[1]
09	64039	1	PERFORATED PLATE SB-STATION	[2]
11	11619	1	Møtrik M6	
13	5173	1	RKS 46237 4 - 1 RED	
14	8803	1		
15	4055	1	RKS 46237 5 - 1 RED	
16	302000290	1	COVER D387X153 ABS	

Part Notes:


- [1] - STOCK COVERS GUARANTEE
 [2] - PLEASE CONTACT CARWASH DIRECTLY

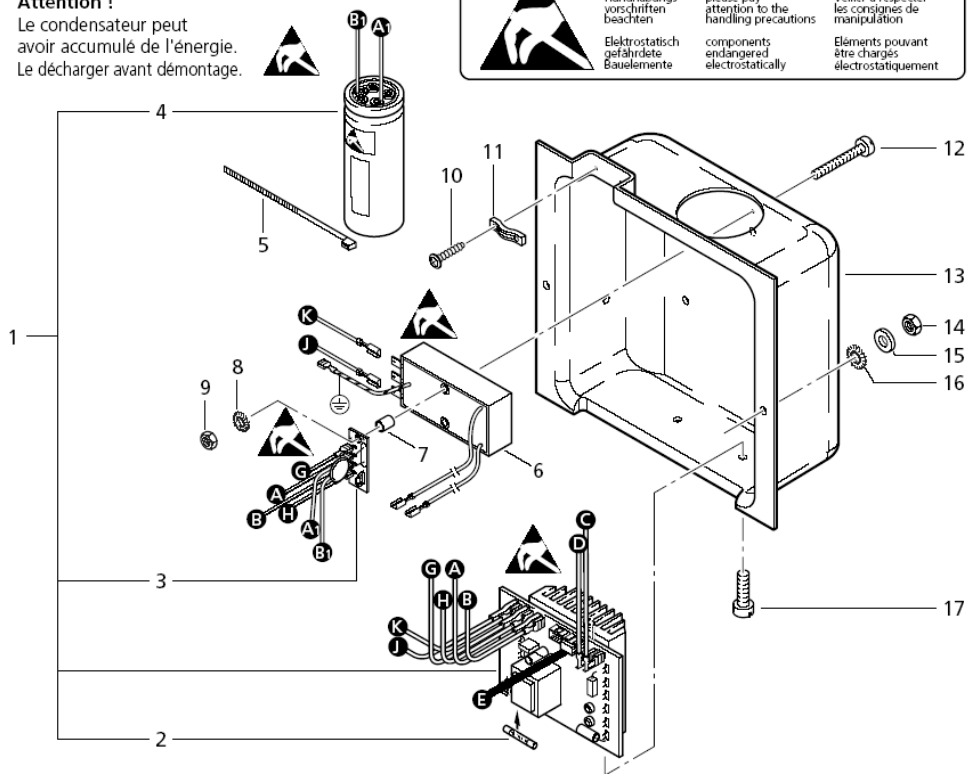


Achtung !
Kondensator kann
Energie speichern.
(Vor Ausbau entladen)

Attention !
capacitor is able to
store energy.
please dump capacitor
before removing.

Attention !
Le condensateur peut
avoir accumulé de l'énergie.
Le décharger avant démontage.

	Achtung Handhabungs- vorschriften beachten	Warning please pay attention to the handling precautions	Attention Veiller à respecter les consignes de manipulation
	Elektrostatisch gefährdete Bauelemente	components endangered electrostatically	Éléments pouvant être chargés électrostatiquement



Pos.	Vare-nr	Antal	Beskrivelse	Notes
0-	302003341	1	HOUSING ELECTRONICS SB-MARATHON ABS	[1]
0-	302003056	1	FOAM RUBBER SEAL	[2]
0-	302003342	1	CHANGE SET EC ELECTRONICS SB MARATHON	[3]
01	302000834	1	Elektronics Ec-3 230V Se	
02	48333	1	FINE-WIRE FUSE 6.3X32 10	
03	60851	1	SURGE GUARD 110-240V EC	
04	42127	1	CONDENSER	
05	8819	1	Strips	
06	107402619	1	SCREENING FILTER KIT	
07	24536	1	SPACER REEL L 8MM	
08	4021	1	SERRATED LOCK WASHER A4	
09	2759	1	Møtrik M8	
10	11256	1	Skruer Ka3,5X18	
11	5697	1	STRAP 3X8X33	
12	5210	1	CYLINDER SCREW M4X35 ISO 1207 ZN	
13	64110	1	HOUSING	[4]
14	2760	1	Møtrik	
15	2763	1	Washer 5,3X1	
16	3376	1	Låseskive	
17	2777	1	CYLINDER SCREW M4X10 ISO 1207 4.8 ST/ZN	

Part Notes:

- [1] - See TSB VAC-083
- [2] - GUARANTEE DATE EXPIRED

- [3] - See TSB VAC-068
- GUARANTEE DATE EXPIRED

- [4] - See TSB VAC-083
- GUARANTEE DATE EXPIRED

RECOMMENDED SPARE PARTS

STATION

2014.11.27

2013.04.02

Pos.	Vare-nr	Antal	Beskrivelse	Notes
00	64084	1	Sugeslange 5 m Ø50	
01	17069	1	Stoffilter special Ø375 x 350 mm	[1]
01	29181	1	COIN ACCEPTOR HUF 50.- 23	
01	31811	1	COINER CHF 1 220V 740	[2]
01	43989	1	Switch F. Tw300S	
01	66038	1	Bøsning Ø63XØ57X38 Pvc	
01	65785	1	COINER EURO 0.5 230V 740 150X50	[1]
01	302000390	1	COIN-ACCEPTOR UNIT	
01	42127	1	CONDENSER	
01	64033	1	BRACKET HOSE RETRACTOR TO	[3]
01	31514	1	Stopper	
01	302000305	1	Mønttæller Euro/polet 12 vdc	[1]
01	43167	1	Koord 3660 Mm.	
01	64202	1	Termostat 10A 250V	
01	64335	1	HOLDER	
01	302000834	1	Elektronics Ec-3 230V Se	
01	60561	1	Sugemotor 220-240V 1200W	
01	7102	1	Fugemundstykke slagfast plast 350 mm Ø50	[1]
01	5544	1	Poletter (50 stk.)	
01	64797	1	Møntindkast Dkk/Euro Komp	
01	309000117	1	COIN ACCEPTOR HUF TOKEN/E	
01	62012	1	E-Motor 230V/1400 W	[4]
01	64087	1	WIRE BRACKET D2 56.5X90LG	
01	31724	1	Møntindkast (Poletter)	
01	64003	1	FUNNEL FOR HOUSE ROUTING	
01	64859	1	COINER SEK WM/EURO 12DC el.WH ET-VPE	
01	62227	1	ELECTRONIC COIN BOX	[2]
01	64384	1	COINER NOK 20.- 230V 740 150X50	
01	66039	1	Bøjning 90° Ø63 M.2Xmuffe	
01	29283	1	COINS 10 NOK	
01	64386	1	Fugemundstykke Ø50	[1]
01	42538	1	"Motorpakningsæt ""C"" "	
01	65786	1	COINER EURO 1.- 230V 740 150X50	[1]
01	64086	1	Greb M. Nøgle Sb-Station	[1]
01	107402619	1	SCREENING FILTER KIT	
01	64106	1	SOCKET Ø 85X80 FOR SB-STATIO	[2]
01	64021	1	HINGE BRACKET	[5]
01	43398	1	COINER CZK 10 230V 740	
01	22124	1	OIN BAR SOLENOID	
01	302000391	1	COIN-ACCEPTOR UNIT EURO 1	
01	64793	1	COIN CHF WITH EURO 12	
01	11984	1	Sugeslange pr. meter Ø50	[6]
01	107402334	1	Print Til Sb Station	
01	60851	1	SURGE GUARD 110-240V EC	
01	49625	1	Kulsæt C	[1]
01	64533	1	Sugeslange, ø50-5m	[1]
01	64857	1	COINER NOK WM/EURO KPL.	

Part Notes:

- [1] - PLEASE CONTACT CARWASH DIRECTLY
- [2] - STOCK COVERS GUARANTEE
- [3] - PART OF 64968 AND 64969
- [4] - 230V 1400W
- [5] - PART OF 64969
- [6] - SEE NOTE
PLEASE CONTACT CARWASH DIRECTLY

