

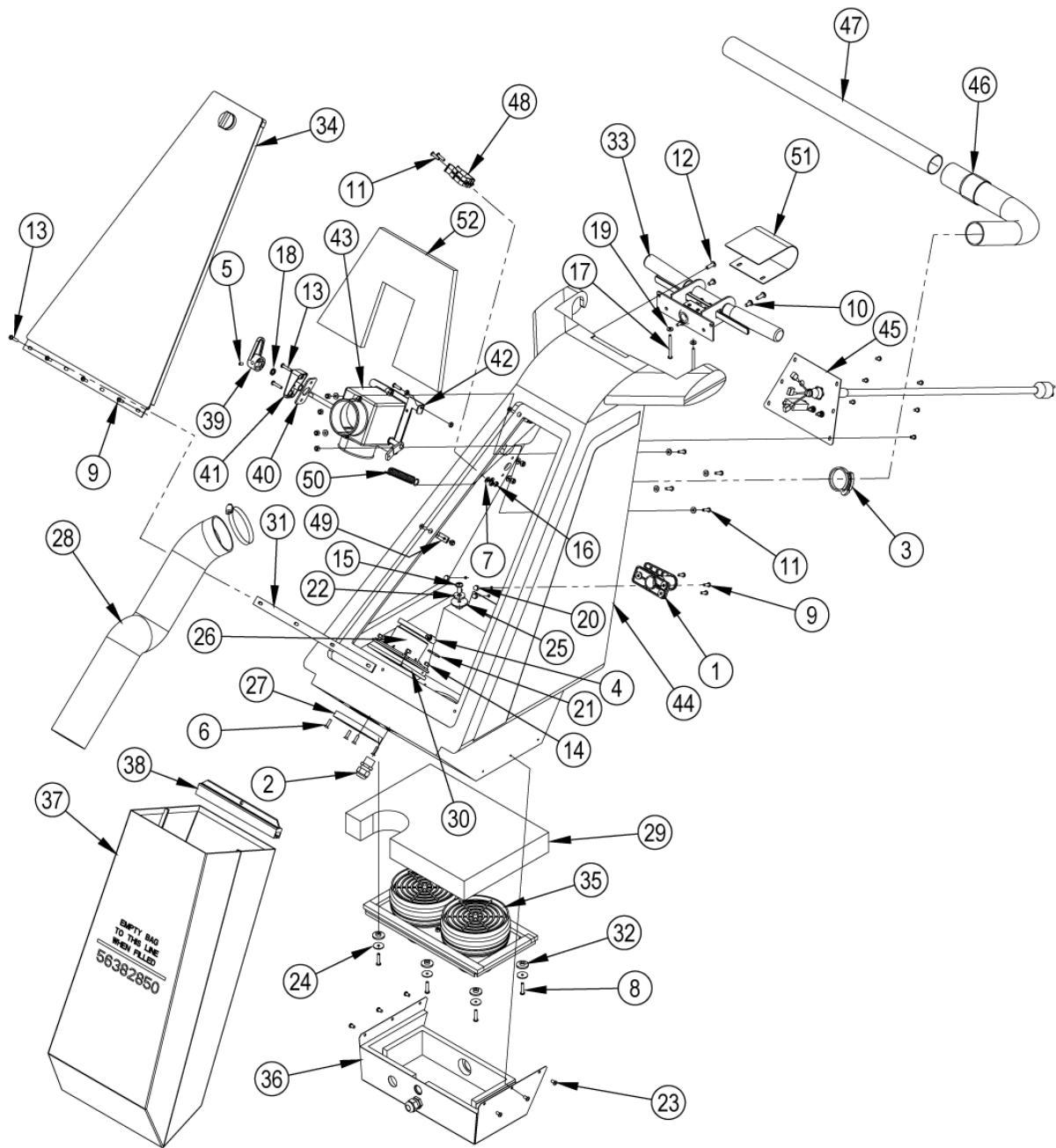
PARTS LIST



2017.08.01

TABLE OF CONTENTS

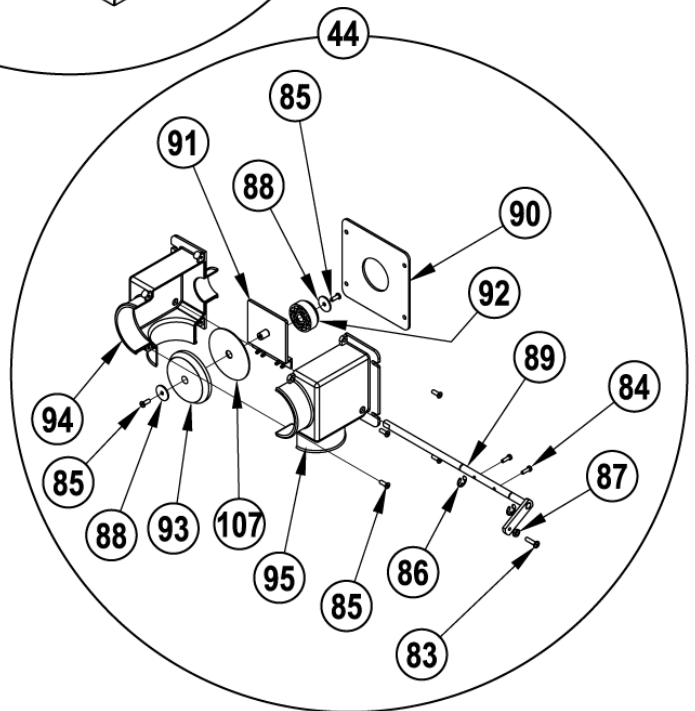
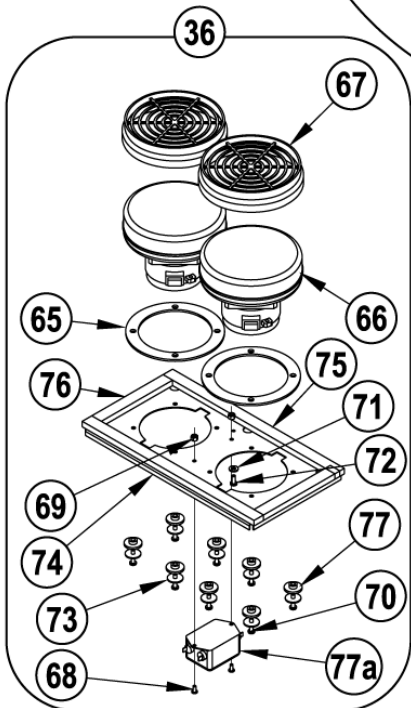
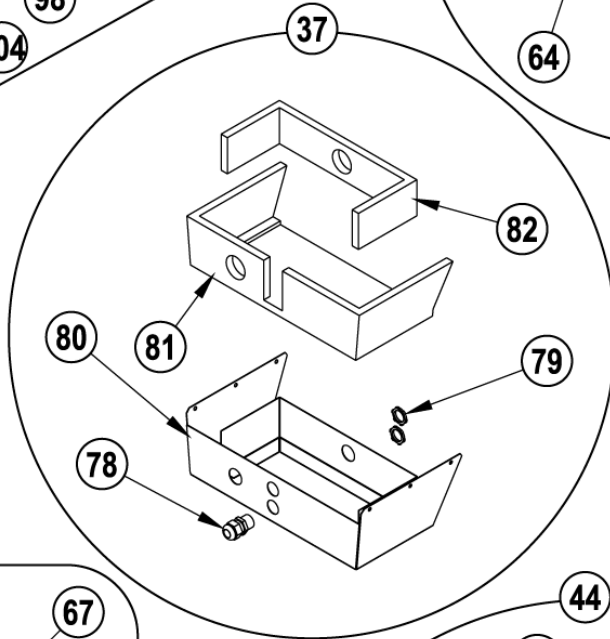
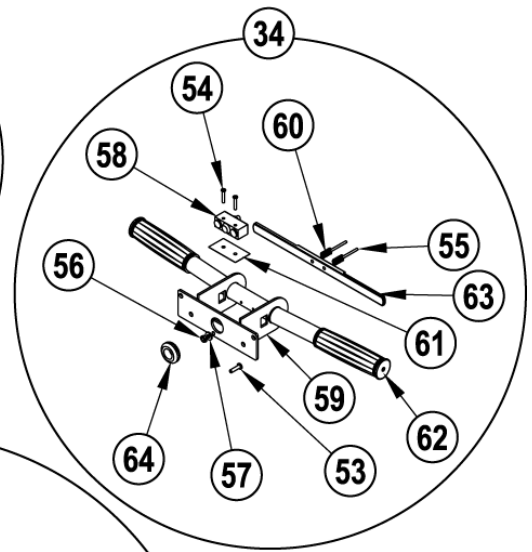
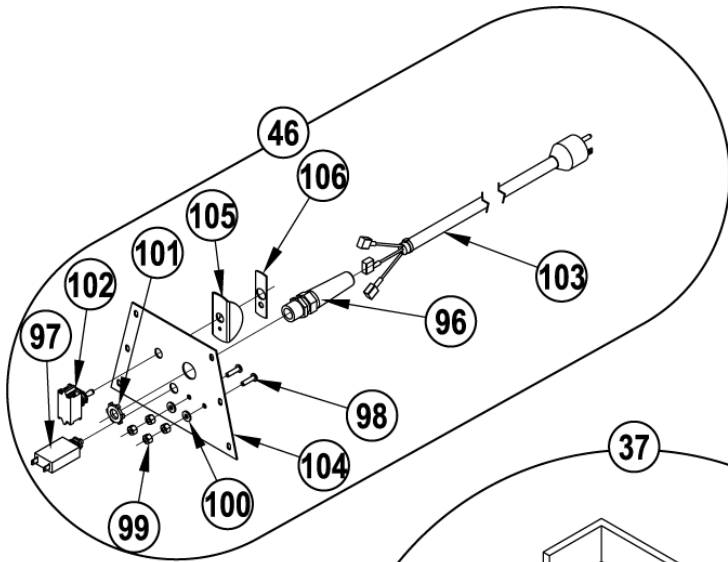
Body 1 (AFTER SN1876506).....	1
Body 2 (AFTER SN1876506).....	4
Body 2 (BEFORE SN1876507).....	7
Body 1 (BEFORE SN1876507).....	10
Sokkelsystem.....	13
Motor.....	15
Decal.....	17
Wiring diagram - 240V.....	19
Wiring diagram - 100V.....	21
56323296 - Vacuum Tool Kit.....	23
56323296 - Vacuum Tool Kit.....	25
56383934 - Microstat Filter Kit.....	27



Pos.	Vare-nr	Antal	Beskrivelse	Notes
01	56171112	2	Cord Hook Assy	
02	56323135	2	STRAIN RELIEF E00220	
03	56331304	1	CLAMP HOSE E00557	
04	56352829	2	CLAMP HOSE SAE 52 E00047	
05	56003123	1	Scr,Soc Set 10-24 X .38	
06	56001900	6	SCR FLT PHIL 10-24 X .75	
07	56001954	10	WSH FLT SAE 10	
08	56003112	6	SCR PAN PHIL PLASTITE 10-14X1	
09	56002124	9	SCREW10-24 X .62 PNH PH	
10	56002145	2	SCR PAN PHIL 1/4-20 X .50	
11	56002192	6	SCR PAN PHIL 10-24 X .75	
12	56002507	2	Scr Pan Phil 1/4-20X0.75	
13	56002674	3	SCR PAN PHIL 10-24 X 1.00	
14	56002768	16	NUT HEX NYL LOC 10-24	
15	56002793	2	SCR PAN PHIL 5/16-18 X .75	
16	56002832	2	Nyloc Møtrik	
17	56003503	2	SCR PAN PHIL 10-24 X 2.25	
18	56003706	1	O-RING SIZE 110 QUAD	
19	56009011	2	WSH INT SHPRF 10	
20	56009061	6	NUT ACORN S.S. 10-24	
21	56009095	2	NUT CONDUIT LOCK 1/2-14	
22	56009122	2	Washer, Flt .344X.938X.12 F.Br850	
23	56009247	12	SCR PN PHIL PLASTITE 10-14X.38	
24	56009002	6	WASHER FLAT .266X.906X.060	
25	56009275	2	WSH NEOPRENE .25X1.375X.093T	
26	56034690	1	HOSE CONNECTOR	
27	56055054	1	GASKET FOAM	
28	56055081	1	HOSE	
29	56055084	1	GUARD BAG	
30	56055182	1	GASKET FOAM	
31	56055218	1	GASKET FOAM	
32	56111384	6	BUSHING	
33	56330005	1	HANDLE ASSY.	
34	56055053	2	GASKET FOAM	
34	56055050	1	LATCH TWIST MACHINED	
34	56055052	1	GASKET FOAM	
34	56639110	1	DOOR WELDMENT	
34	56330006	1	DOOR ASSY.	
34	56055051	1	GASKET FOAM	
35	56330903	1	VACUUM MOTOR ASSY.	
36	56330008	1	MUFFLER ASSY.	
37	56330690	1	Støvsugerposer (6 stk.)	[1]
37	56382850	1	STOF POSE - GENANVENDELIG	[2]
38	56330608	1	Lukkeklips Til Pose	
39	56330821	1	Håndtag	
40	56330822	1	GASKET BASE	
41	56330823	1	BASE LEVER MOUNT	
42	56330827	1	BRACKET SPRING MOUNT	
43	56330830	1	Vacuum Diverter Assy	
44	56330835	1	TANK UPPER MACHINED	
45	56382882	1	ELECTRICAL ASSEMBLY 60HZ	[3]
45	56330902	1	ELECTRICAL ASSY.	
46	56331152	1	HOSE ASSY. VAC	
47	56331153	1	TUBE WAND	
48	56331154	1	Clamp, Plastic	
49	56385564	3	CLAMP CABLE .625 E00129	
50	56448112	1	Fjeder Ba500	
51	56639107	1	WELDMENT SWITCHBOX COVER	
52	56380337	1	GUARD PANEL FOAM	[4]

Part Notes:

- [1] - package of 6 / optional
- [2] - for 56382850
- [3] - model 56330049 only
- [4] - TSBUS2009-1053

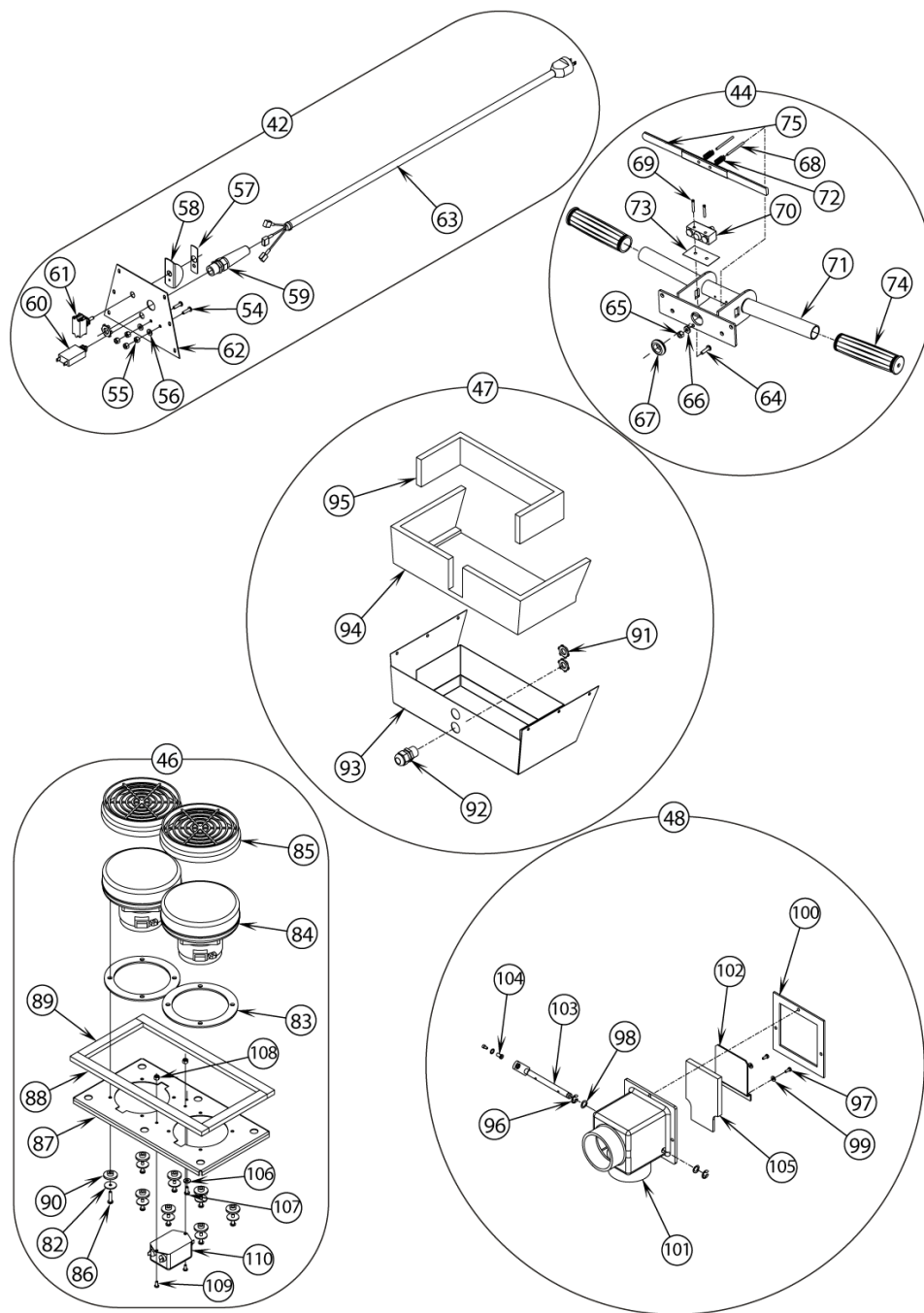


Pos.	Vare-nr	Antal	Beskrivelse	Notes
34	56330005	1	HANDLE ASSY.	[1]
36	56330903	1	VACUUM MOTOR ASSY.	[2]
37	56330008	1	MUFFLER ASSY.	[3]
44	56330830	1	Vacuum Diverter Assy	[4]
46	56382882	1	ELECTRICAL ASSEMBLY 60HZ	[5]
46	56330902	1	ELECTRICAL ASSY.	[6]
53	56002192	1	SCR PAN PHIL 10-24 X .75	
54	56002857	2	SCR PAN PHIL 6-32 X .88	
55	56003502	2	PIN SPR .12 X 1.75	
56	56002832	1	Nyloc Møtrik	
57	56009011	1	WSH INT SHPRF 10	
58	56026412	1	SWITCH PUSH 25AMP	
59	56034663	1	WELDMENT HANDLE	
60	56046648	2	SPRING COMP. E00453	
61	56046653	1	INSUL PAPER	
62	56381707	2	HANDLE GRIP	
63	56050274	1	TRIGGER	
64	56760212	1	GROMMET 1.000 E00059	
65	56209325	2	GASKET HL405	
66	56300411	2	MOTOR 230V 50 CY HA542C	[7]
66	56220065	2	BRUSH SET	[8]
67	56384898	2	Filter	
67	56383934	1	FILTER KIT-EXHAUST	[9]
68	56001818	2	SCR PAN PHIL 8 32 X .38	
69	56002877	2	NUT HEX NYL LOC SS 8-32	
70	56009209	8	SCR PAN PHIL THDFORM10-24X1.00	
71	56009011	1	WSH INT SHPRF 10	
72	56009082	1	SCR PANPHILTHD FORMBLK10-24X.5	
73	56009096	8	WSH FLT .193X.875X.060	
74	56055023	1	PLATE MOUNT VAC MOTORS	
75	56055041	2	GASKET FOAM	
76	56055042	2	GASKET FOAM	
77	56111384	8	BUSHING	
77A	56330923	1	RFI FILTER	
77A	47700A	4	TERMINAL-FULLY INS PUSH-ON	
78	56323135	1	STRAIN RELIEF E00220	
79	56009095	2	NUT CONDUIT LOCK 1/2-14	
80	56034668	1	WELDMENT MUFFLER	
81	56055117	1	FOAM MUFFLER-COVER	
82	56055118	1	FOAM MUFFLER-DEFLECTOR	
83	56002192	1	SCR PAN PHIL 10-24 X .75	
84	56002438	2	SCR HEX THD FORM 8-32 X .50	
85	56003093	6	SCR PAN PHIL PLAST 8-15 X .50	
86	56003269	2	Låsering, Sugedyse Ba430	
87	56002832	1	Nyloc Møtrik	
88	56009096	2	WSH FLT .193X.875X.060	
89	56330824	1	SHAFT WELDMENT	
90	56330828	1	GASKET HOUSING	
91	56330829	1	PLATE DIVERTER	
92	56330831	1	SEAL WAND VACUUM	
93	56330832	1	SEAL BRUSH VACUUM	
94	56330833	1	HOUSING LEFT HALF	
95	56330834	1	HOUSING RIGHT HALF	
96	56323136	1	STRAIN RELIEF	
97	56387562	1	CIRCUIT BREAKER 4A	
98	56002192	2	SCR PAN PHIL 10-24 X .75	
99	56002832	4	Nyloc Møtrik	
100	56009011	2	WSH INT SHPRF 10	
101	56009095	1	NUT CONDUIT LOCK 1/2-14	

Pos.	Vare-nr	Antal	Beskrivelse	Notes
102	56301636	1	Vippe Kontakt BA600	
102	56200336	1	SWITCH TOGGLE DPST HP6	[10]
103	362USP	1	PLUG UK	[10]
103	56330907	1	Cord Set	
104	56643059	1	COVER ACCESS	
105	56200352	1	GUARD SWITCH HP6A	
106	56014016	1	DECAL ON/OFF	

Part Notes:

- [1] - Pos. 53-64
- [2] - Pos. 65-77A
- [3] - Pos. 78-82
- [4] - Pos. 83-95, 107
- [5] - 60HZ (96-106 / model 56330049 only)
- [6] - Pos. 96-106
- [7] - 240V
- [8] - Not shown
GUARANTEE DATE EXPIRED
- [9] - Package of 2 - Optional
- [10] - (model 56330049 only)

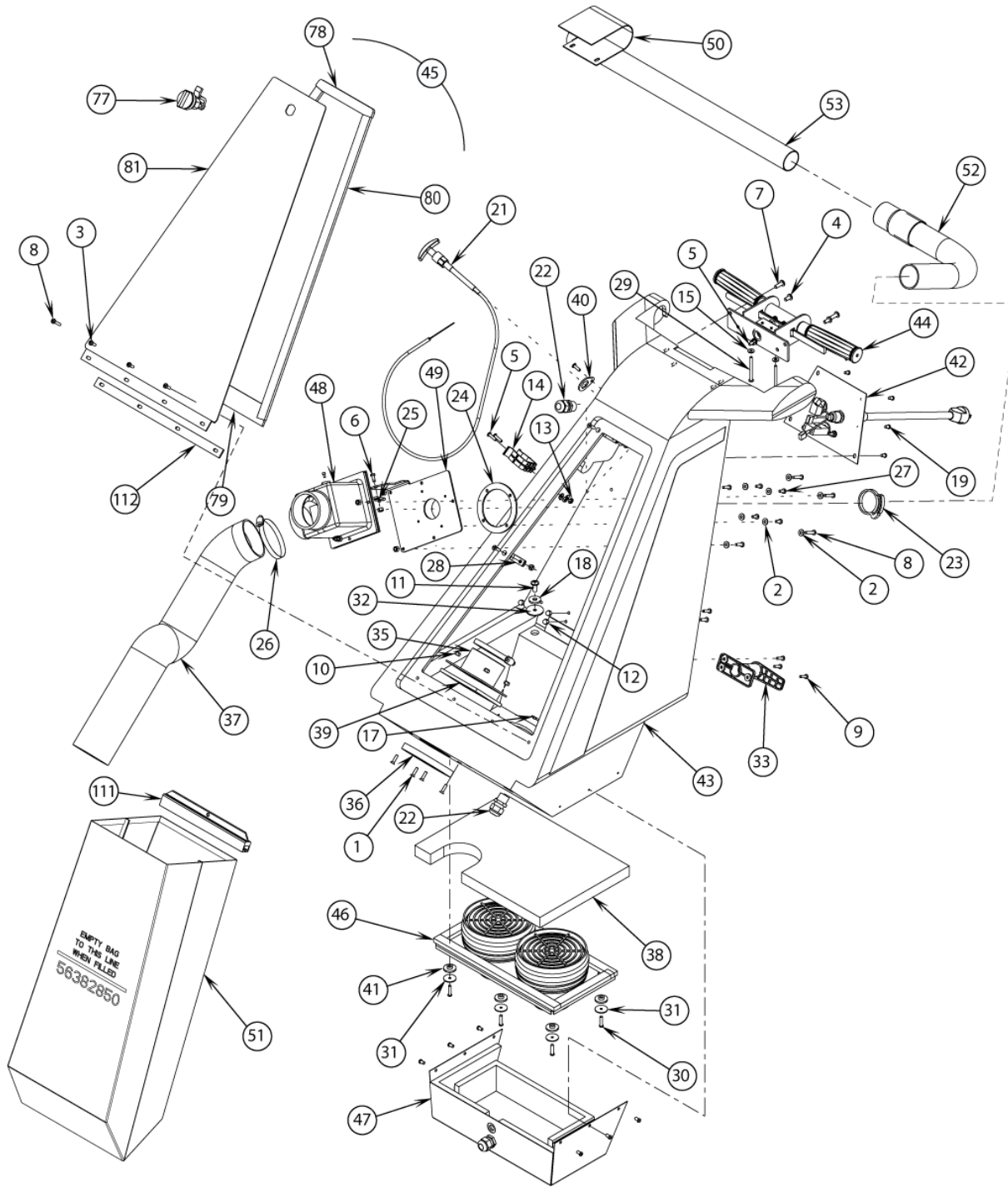


Pos.	Vare-nr	Antal	Beskrivelse	Notes
42	56330902	1	ELECTRICAL ASSY.	[1]
42	56330932	1	ELECTRICAL ASSY.	[2]
42	56330941	1	ELECTRICAL ASSY.	[3]
44	56330005	1	HANDLE ASSY.	[4]
46	56330903	1	VACUUM MOTOR ASSY.	[5]
46	56330937	1	VACUUM MOTOR ASSY 100V	[6]
47	56330008	1	MUFFLER ASSY.	[7]
48		1	BUTTERFLY ASSY. Pos. 96-105	[8]
54	56002192	2	SCR PAN PHIL 10-24 X .75	
55	56002832	4	Nyloc Møtrik	
56	56009011	2	WSH INT SHPRF 10	
57	56014016	1	DECAL ON/OFF	[9]
58	56200352	1	GUARD SWITCH HP6A	[9]
59	56009095	1	NUT CONDUIT LOCK 1/2-14	[10]
59	56323136	1	STRAIN RELIEF	
60	56387316	1	Circuit Breaker 10A E001	
61	56301636	1	Vippe Kontakt BA600	[9]
62	56643059	1	COVER ACCESS	
63	56330907	1	Cord Set	[11]
63	56330030	1	POWER CORD ARGENTINA	[12]
63	56330042	1	CORD SET 2.00 X 3 BLK	[13]
64	56002192	1	SCR PAN PHIL 10-24 X .75	
65	56002832	1	Nyloc Møtrik	
66	56009011	1	WSH INT SHPRF 10	
67	56497610	1	GROMMET E00059	
68	56003502	2	PIN SPR .12 X 1.75	
69	56002857	2	SCR PAN PHIL 6-32 X .88	
70	56026412	1	SWITCH PUSH 25AMP	
71	56034663	1	WELDMENT HANDLE	
72	56046648	2	SPRING COMP. E00453	
73	56046653	1	INSUL PAPER	
74	56381707	2	HANDLE GRIP	
75	56050274	1	TRIGGER	
77	56055050	1	LATCH TWIST MACHINED	
78	56055051	1	GASKET FOAM	
79	56055052	1	GASKET FOAM	
80	56055053	2	GASKET FOAM	
81	56639110	1	DOOR WELDMENT	
82	56009096	8	WSH FLT .193X.875X.060	
83	56209325	2	GASKET HL405	
84	56300411	2	MOTOR 230V 50 CY HA542C	[11]
84	56330389	2	VAC MOTOR ASSY.	[14]
84	56009030	2	Scr Pan Phil Thd Fom 10-2 F.Br850	[13]
84	56220065	2	BRUSH SET	[15]
85	56384898	2	Filter	
85	56383934	1	FILTER KIT-EXHAUST	[16]
86	56009209	8	SCR PAN PHIL THDFORM10-24X1.00	
87	56055023	1	PLATE MOUNT VAC MOTORS	
88	56055041	2	GASKET FOAM	
89	56055042	2	GASKET FOAM	
90	56111384	8	BUSHING	
91	56009095	2	NUT CONDUIT LOCK 1/2-14	
92	56323135	2	STRAIN RELIEF E00220	
93	56034668	1	WELDMENT MUFFLER	
94	56055117	1	FOAM MUFFLER-COVER	
95	56055118	1	FOAM MUFFLER-DEFLECTOR	
96	56003269	2	Låsering, Sugedyse Ba430	
97	56009032	2	SCR HEX THD FORM 6-32X.38	
98	56009045	2	Washer Bowed	

Pos.	Vare-nr	Antal	Beskrivelse	Notes
99	56009056	2	WSH INT SHPRF 6	
100	56331312	1	GASKET	[17]
101		1	HOUSING ROUTED	[18]
102	56331345	1	PLATE	[19]
103	56331356	1	LEVER WELDMENT	[20]
104	56442445	1	SWIVEL CV442L	
105	56331155	1	SEAL	[21]
106	56009011	1	WSH INT SHPRF 10	[22]
107	56009082	1	SCR PANPHILTHD FORMBLK10-24X.5	
108	56002877	2	NUT HEX NYL LOC SS 8-32	
109	56001818	2	SCR PAN PHIL 8 32 X .38	
110	56330923	1	RFI FILTER	
110	56244138	4	RECEPTACLE TAB .250FC336B	

Part Notes:

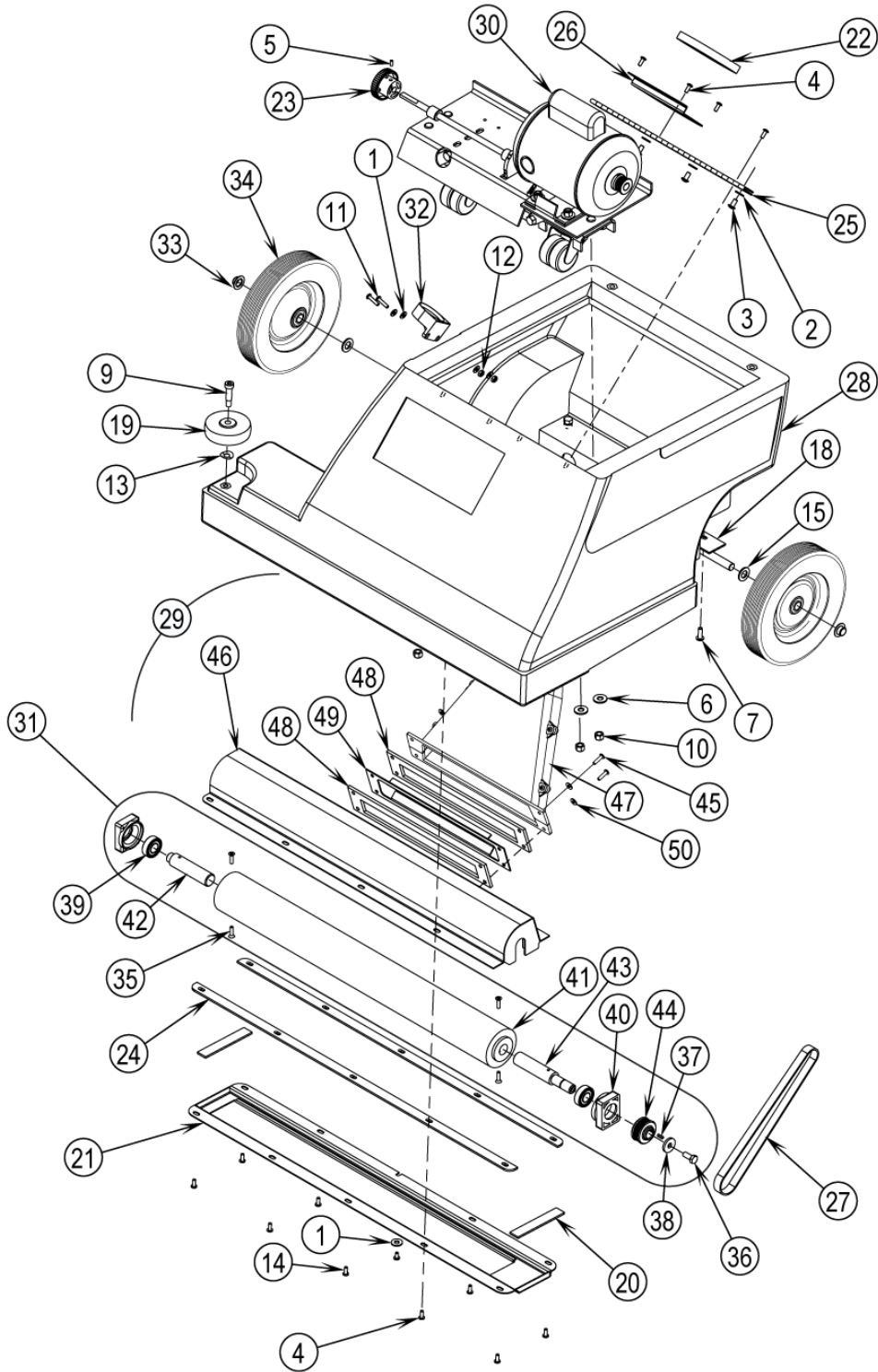
- [1] - Pos. 54-63 - 240V
- [2] - Pos. 54-63 - 100V
- [3] - Pos. 54-63 - 240V / Arg
- [4] - Pos. 64-75
- [5] - Pos. 82-90, 106-110 - 240V
- [6] - Pos. 82-90, 106-109 - 100V
- [7] - Pos. 91-95
- [8] - BUTTERFLY ASSY. Pos. 96-105
- [9] - 100V / 240V
- [10] - Not shown
- [11] - 240V
- [12] - 240V / Arg
NO LONGER AVAILABLE
- [13] - 100V - Not shown
- [14] - 100V
- [15] - Not shown
GUARANTEE DATE EXPIRED
- [16] - Package of 2 - Optional
- [17] - EXPIRED ON 10/2/2012
- [18] - HOUSING ROUTED
- [19] - EXPIRED ON 07/19/2013
- [20] - EXPIRED ON 05/17/2013
- [21] - GUARANTEE DATE EXPIRED
- [22] - 3 on 100V



Pos.	Vare-nr	Antal	Beskrivelse	Notes
01	56001900	6	SCR FLT PHIL 10-24 X .75	
02	56001954	11	WSH FLT SAE 10	
03	56002124	3	SCREW10-24 X .62 PNH PH	
04	56002145	2	SCR PAN PHIL 1/4-20 X .50	
05	56002192	4	SCR PAN PHIL 10-24 X .75	
06	56002503	1	Scr Hex Wsh Hd 10-24X.50	
07	56002507	2	Scr Pan Phil 1/4-20X0.75	
08	56002674	4	SCR PAN PHIL 10-24 X 1.00	
09	56001993	6	SCREW 10-24 X 0.5 ZINC PL	
10	56002832	17	Nyloc Møtrik	
11	56002793	2	SCR PAN PHIL 5/16-18 X .75	
111	56330608	1	Lukkeklips Til Pose	[1]
112	56055218	1	GASKET FOAM	
12	56009061	6	NUT ACORN S.S. 10-24	
13	56002832	2	Nyloc Møtrik	
14	56331154	1	Clamp, Plastic	
15	56009011	2	WSH INT SHPRF 10	
17	56009095	2	NUT CONDUIT LOCK 1/2-14	
18	56009122	2	Washer, Flt .344X.938X.12 F.Br850	
19	56009247	12	SCR PN PHIL PLASTITE 10-14X.38	
21	56331349	1	Cable	
22	56323135	2	STRAIN RELIEF E00220	
23	56331304	1	CLAMP HOSE E00557	
24	56330909	1	GASKET	
25	56344265	1	Holder Kabel As510A	
26	56352829	2	CLAMP HOSE SAE 52 E00047	
27	56009082	4	SCR PANPHILTHD FORMBLK10-24X.5	
28	56385564	3	CLAMP CABLE .625 E00129	
29	56003503	2	SCR PAN PHIL 10-24 X 2.25	
30	56003112	6	SCR PAN PHIL PLASTITE 10-14X1	
31	56009268	6	WSH FLT .187 X 1.000 X .062	
32	56009275	2	WSH NEOPRENE .25X1.375X.093T	
33	56171112	2	Cord Hook Assy	
35	56034690	1	HOSE CONNECTOR	
36	56055054	1	GASKET FOAM	
37	56055081	1	HOSE	
38	56055084	1	GUARD BAG	
39	56055182	1	GASKET FOAM	
40	56330921	1	PLATE	[2]
41	56111384	6	BUSHING	
42	56330902	1	ELECTRICAL ASSY.	[3]
42	56330941	1	ELECTRICAL ASSY.	[4]
42	56330932	1	ELECTRICAL ASSY.	[5]
43	56330835	1	TANK UPPER MACHINED	
44	56330005	1	HANDLE ASSY.	[6]
45	56330006	1	DOOR ASSY.	[7]
46	56330903	1	VACUUM MOTOR ASSY.	[8]
46	56330937	1	VACUUM MOTOR ASSY 100V	[9]
47	56330008	1	MUFFLER ASSY.	[10]
48		1	BUTTERFLY ASSY. Pos. 96-105	[11]
49	56330021	1	TUBE WELDMENT	
50	56639107	1	WELDMENT SWITCHBOX COVER	
51	56382850	1	STOF POSE - GENANVENDELIG	
51	56330690	1	Støvsugerposer (6 stk.)	[12]
52	56331152	1	HOSE ASSY. VAC	
53	56331153	1	TUBE WAND	

Part Notes:

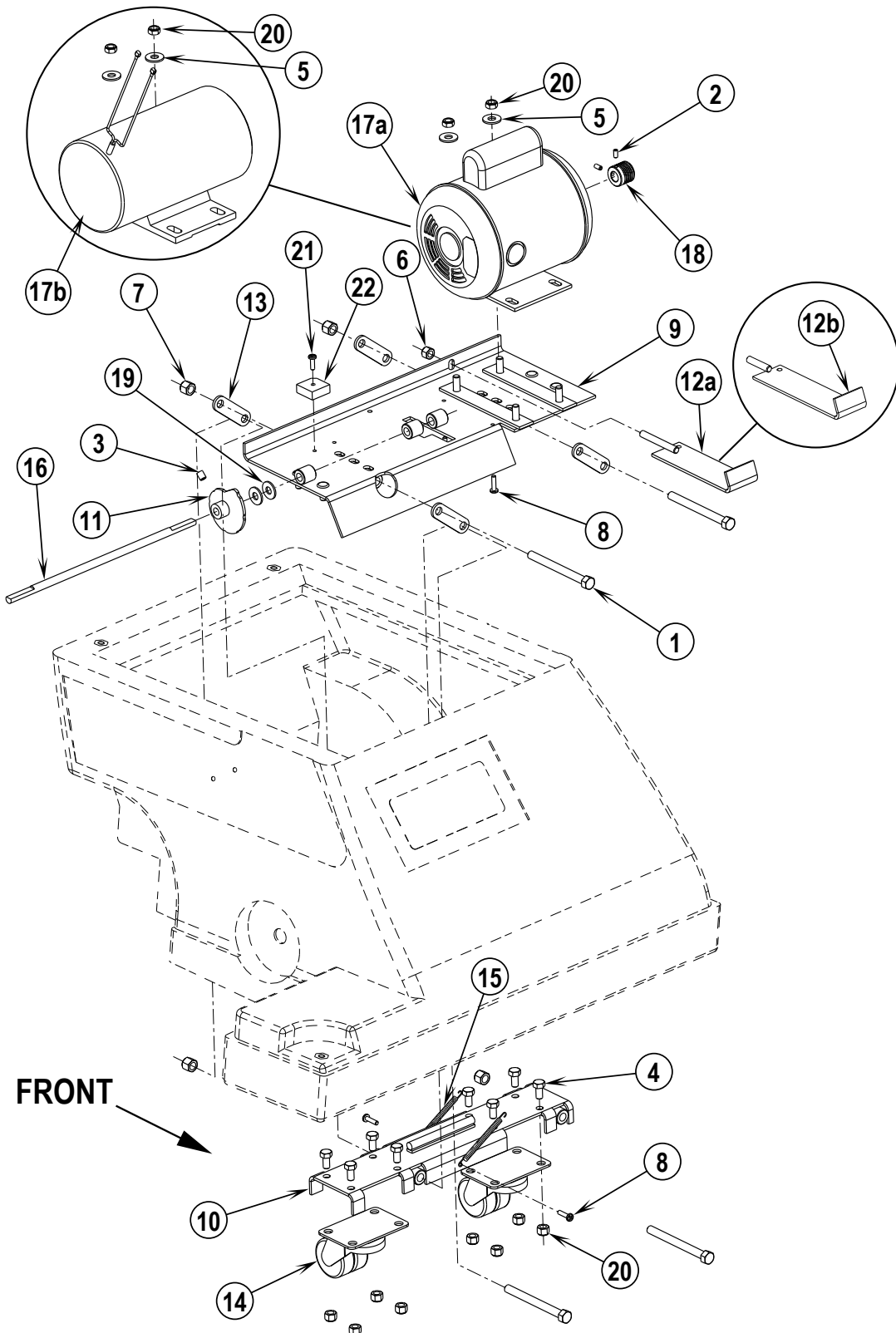
- [1] - for 56382850
- [2] - NO LONGER AVAILABLE
- [3] - Pos. 54-63 - 240V
- [4] - Pos. 54-63 - 240V/Arg
- [5] - Pos. 54-63 - 100V
- [6] - Pos. 64-75
- [7] - Pos. 77-81
- [8] - Pos. 82-90, 106-110 - 240V
- [9] - Pos. 82-90, 106-109 - 100V
- [10] - Pos. 91-95
- [11] - BUTTERFLY ASSY. Pos. 96-105
- [12] - Package of 6 - Optional - Not shown



Pos.	Vare-nr	Antal	Beskrivelse	Notes
01	56001954	5	WSH FLT SAE 10	
02	56002098	4	Wsh Flt Sae 1/4	
03	56002145	4	SCR PAN PHIL 1/4-20 X .50	
04	56002147	13	SCR PAN PHIL 10-32 X .50	
05	56003123	1	Scr,Soc Set 10-24 X .38	
06	56001939	4	Wsh Flat Sae 5/16	
07	56002066	2	SCR PAN PHIL 1/4-20 X .62	
09	56003472	1	Skruer 38X1.00X5/16-18	
10	56002826	4	NUT HEX NYL LOC-THIN 5/16-18	
11	56002674	2	SCR PAN PHIL 10-24 X 1.00	
12	56002832	2	Nyloc Møtrik	
13	56009024	1	WSH BOWED .375X.844X.060	
14	56009030	1	Scr Pan Phil Thd Fom 10-2 F.Br850	
15	56009003	4	WSH FLT .516X.938X.075	[1]
18	56330045	1	WELDMENT AXLE	[1]
19	56049261	1	WHEEL	
20	56052279	2	GASKET FOAM	
21	56381747	1	PLATE-BOTTOM 28 UPRIGHT	
22	56055054	1	GASKET FOAM	
23	56475480	1	Gribeknop Ba500	
24	56055187	2	GASKET FOAM	
25	56055213	1	HINGE BUTT	
26	56055217	1	BRACKET INTAKE TUBE	
27	56055123	1	Drivrem GU 700A	
28	56330010	1	TANK BASE MACHINED	
29	56330011	1	BRUSH HOUSING ASSY.	[2]
30	56330901	1	BRUSH MOTOR ASSY	[3]
30		1	Not available	[4]
30	56330050	1	BRUSH MOTOR ASSEMBLY	[5]
31	56330015	1	Børstevalse GU 700A Kpl.	[6]
32	56331151	1	HOLDER TUBE	
33	56009097	2	Møtrik	[1]
34	56330051	2	Hjul	[7]
35	56001900	4	SCR FLT PHIL 10-24 X .75	
36	56002956	1	SCR HEX LOC 5/16 18 X .75	
37	56003235	1	KEY SQ .12 X .44	
38	56001939	1	Wsh Flat Sae 5/16	
39	56027222	2	Leje, Børste GU 700A	
40	56055030	2	Leje Gu700	
41	56055126	1	Brush Cylinder	
42	56055127	1	SHAFT BRUSH	
43	56330014	1	SHAFT BRUSH	
44	56330914	1	SHEAVE POLY-V BELT	
45	56002192	4	SCR PAN PHIL 10-24 X .75	
46	56034673	1	WELDMENT BRUSH HOUSING	
47	56055121	1	TUBE INTAKE MACHINED	
48	56055122	2	GASKET FOAM	
49	56055615	1	PLATE STEEL	
50	56001954	4	WSH FLT SAE 10	

Part Notes:

- [1] - TSBUS2002-798TBS US 2002-798. new wheels
- [2] - Pos. 45-50 - TSBUS2002-808TSB US 2002-808. Experiencing poor vacuum pickup
- [3] - 240V / see associated pages
- [4] - 100V / see associated pages - not available
- [5] - 240V-60Hz/ see associated pages
- [6] - Pos. 35-44 - TSBUS2002-808TSB US 2002-808. Experiencing poor vacuum pickup
- [7] - TSBUS2002-798 / Wheel 56330051 has replaced 56210148 in production.
TBS US 2002-798. new wheels

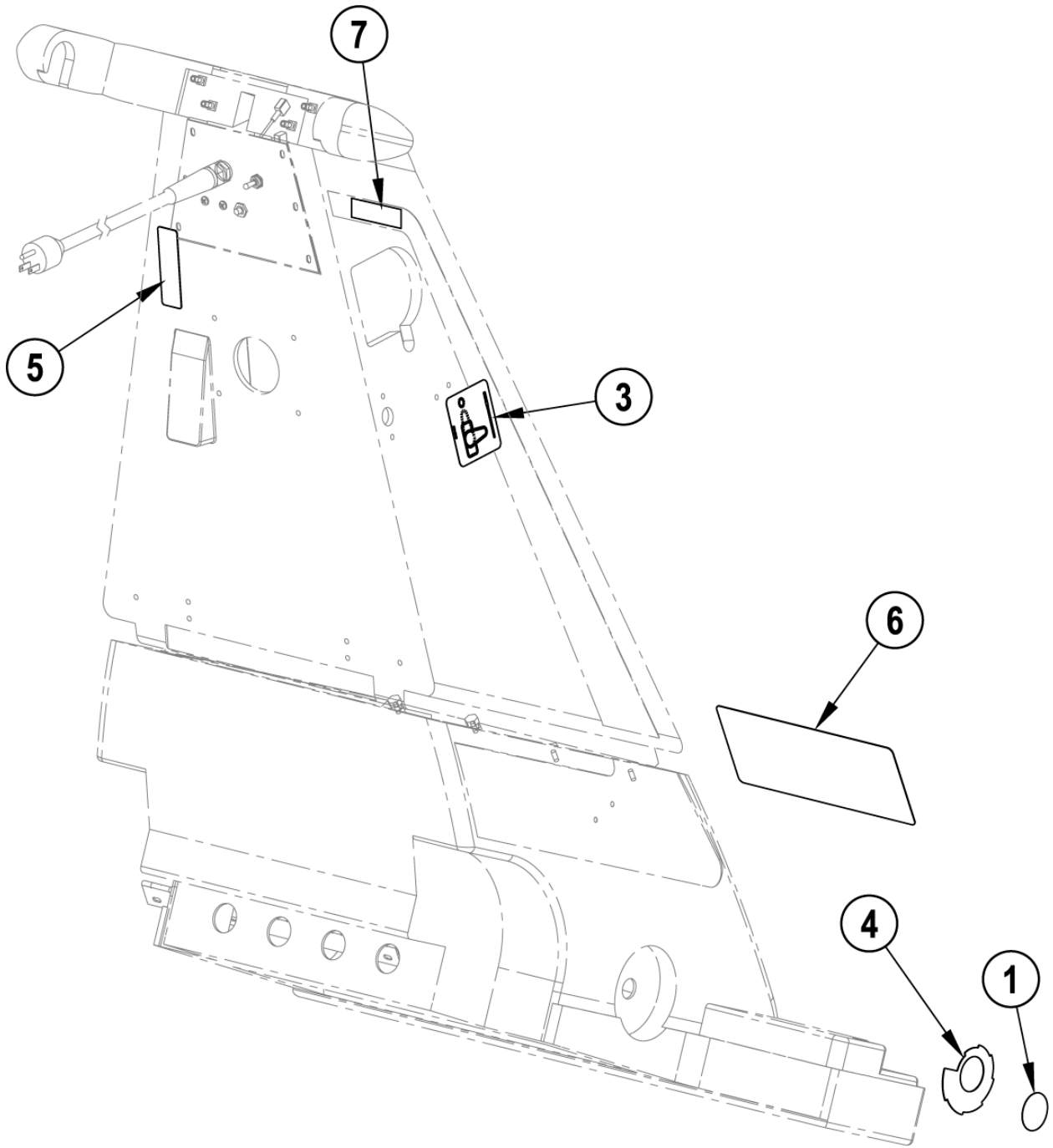


Pos.	Vare-nr	Antal	Beskrivelse	Notes
1	56001819	4	SCR HEX 3/8-16 X 4.00	
2	56001823	2	Scr Soc Hd Set 10-24X.38	
3	56002021	1	Pinolskrue 5/16-18 X .38	
4	56002035	8	SCR HEX 5/16 18 X .62	
5	56002220	2	WSH FLT STD 5/16	
6	56002701	1	Nut Hex Nyloc 5/16-18	
7	56002769	4	Møtrik 3/8-16	
8	56009043	4	SCR PAN PHIL THD FORM10-24X.75	
9	56034675	1	WELDMENT BRACKET	[1]
9		1	Weldment, Bracket, Motor	[2]
10	56034677	1	CASTER BRACKET WELDMENT	
11	56034679	1	WELDMENT CAM HEIGHT ADJUST	
12a	56034691	1	WELDMENT ADJUSTMENT BRACKET	[1]
12b		1	Weldment, Adjustment Bracket	[2]
13	56055031	4	BAR	
14	56055134	2	CASTER	
15	56055135	2	SPRING EXT.	
16	56055137	1	SHAFT .375DIA. HEIGHT ADJ.	
17a	56330908	1	Brush Motor	[1]
17a	56384573	1	MOTOR-115/230V-1725RPM-1/3HP	
17a	56384521	1	SIDEBROOM MOTOR BRUSH KIT	
17b		1	Motor, 1/3hp	
17b	56330928	2	Kul	[3]
17b	56330929	2	BRUSH SPRING 2 REQD	[3]
17b	56330930	2	BRUSH COVER 2 REQD	[3]
18	56330016	1	SHEAVE POLY V BELT	
19	56002220	2	WSH FLT STD 5/16	[2]
20	56002826	10	NUT HEX NYL LOC-THIN 5/16-18	
21	56009042	1	SCR PANPHIL THD FORM 10-24X.62	[2]
22	56180163	1	RECTIFIER 40A	[4]

Part Notes:

- [1] - 240V
- [2] - 100V
- [3] - for 56330926. Not Shown
- [4] - EXPIRED USE 56265103

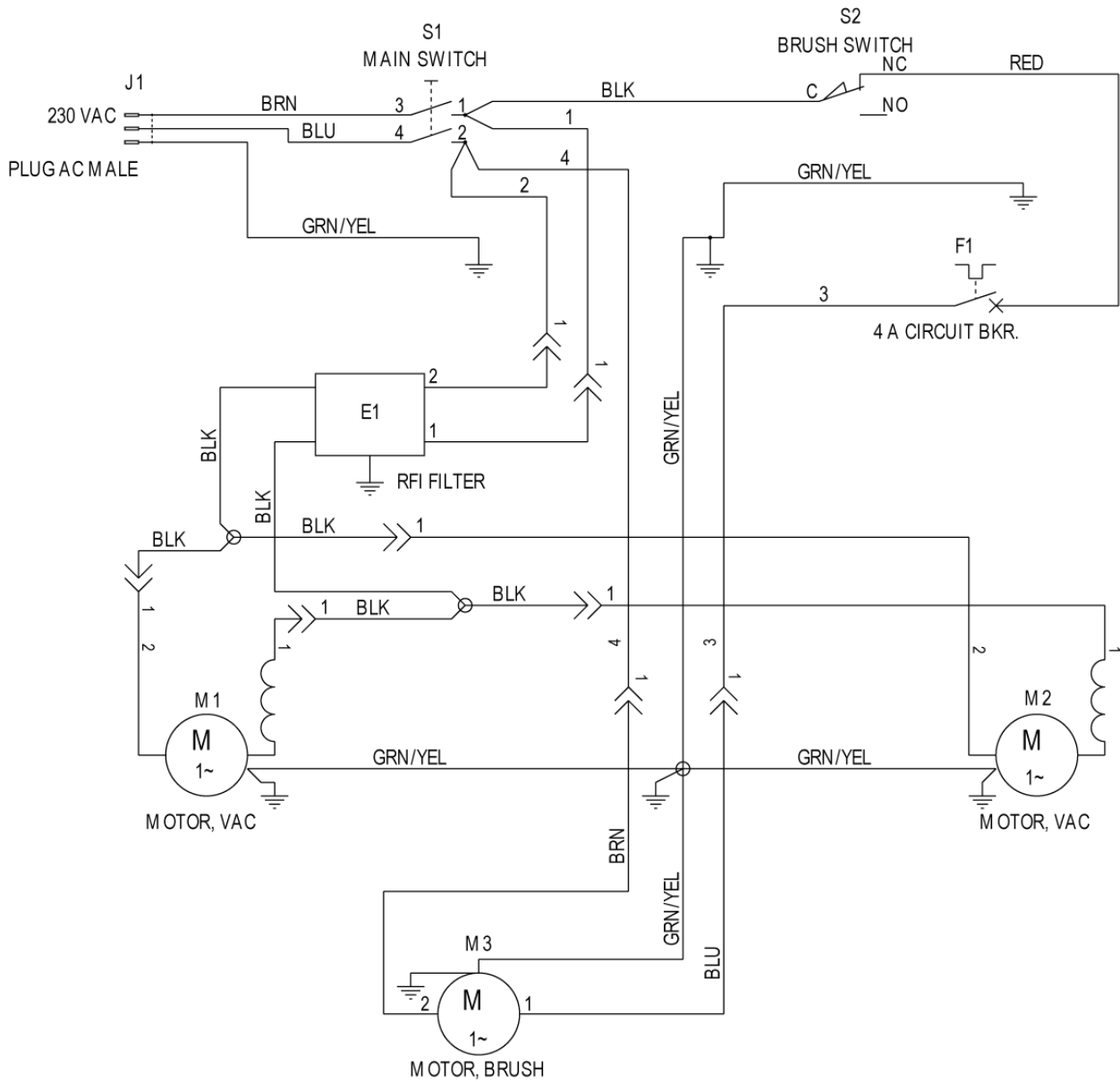
100V



Pos.	Vare-nr	Antal	Beskrivelse	Notes
01	56015188	1	DECAL KNOB	
03	56016619	1	WAND DECAL	[1]
04	56057686	1	LABEL INSTR.	
05	56630714	1	LABEL WARNING UPRT ENG/FRENCH	[2]
06	56016368	1	DECAL- GU 700A	
07	56014119	6	DECAL GROUND SYMBOLHC398B	[3]
07	56016475	1	DECAL WAND	[4]

Part Notes:

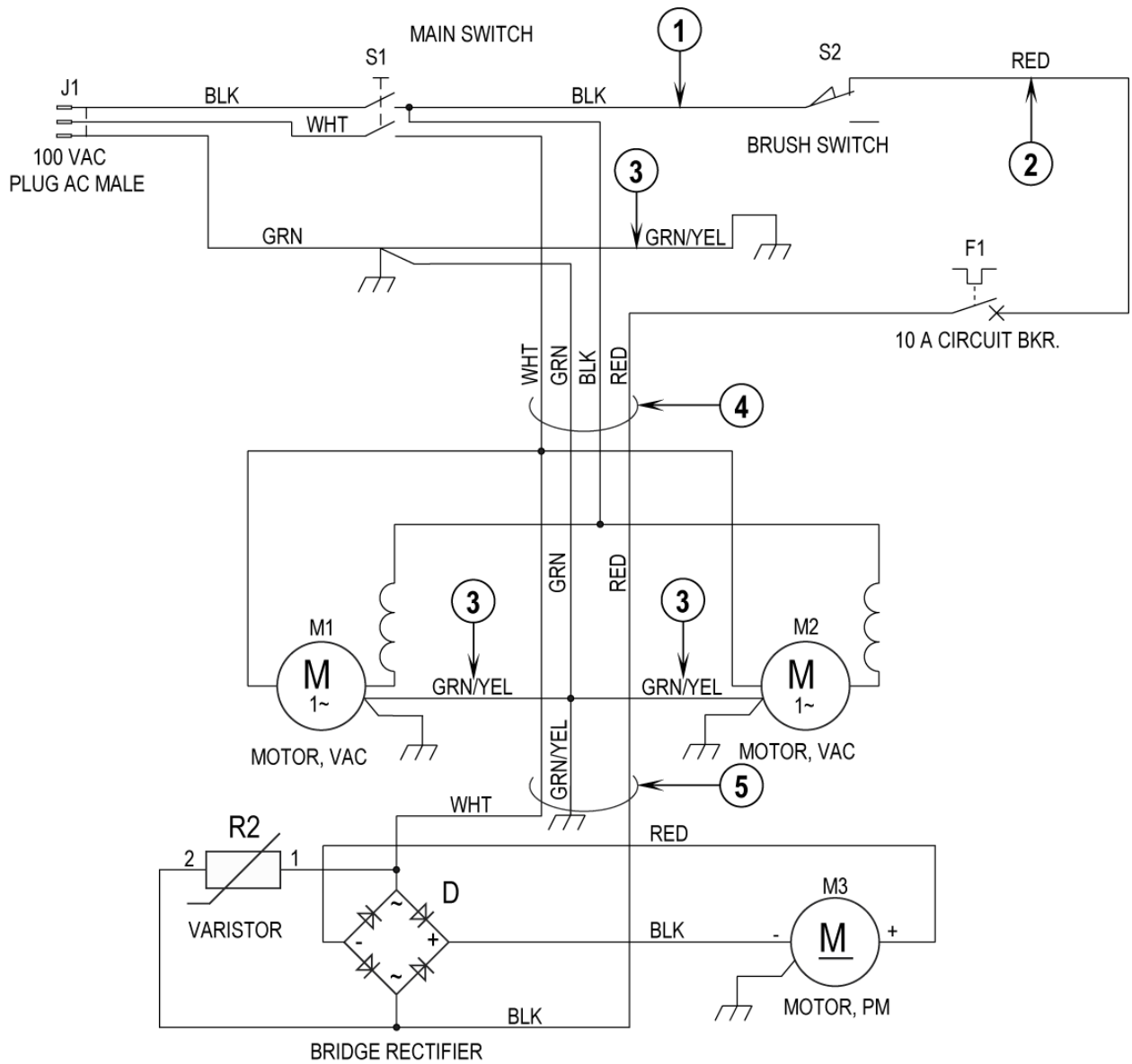
- [1] - After May 2005
- [2] - 100V
- [3] - Before June 2005
- [4] - Not shown



Pos.	Vare-nr	Antal	Beskrivelse	Notes
E1	56330923	1	RFI FILTER	
F1	56387562	1	CIRCUIT BREAKER 4A	
J1	56330907	1	Cord Set	[1]
J1	56330030	1	POWER CORD ARGENTINA	[2]
M1	56300411	1	MOTOR 230V 50 CY HA542C	
M1	56220065	2	BRUSH SET	[3]
M2	56300411	1	MOTOR 230V 50 CY HA542C	
M2	56220065	2	BRUSH SET	[3]
M3	56330908	1	Brush Motor	
M3	56330013	1	MOTOR 1/3 HP 120V.	[4]
S1	56200336	1	SWITCH TOGGLE DPST HP6	[5]
S1	56301636	1	Vippe Kontakt BA600	
S2	56026412	1	SWITCH PUSH 25AMP	

Part Notes:

- [1] - 240V
- [2] - 240V / Arg
NO LONGER AVAILABLE
- [3] - Not shown
GUARANTEE DATE EXPIRED
- [4] - 60hz
- [5] - (model 56330049 only)

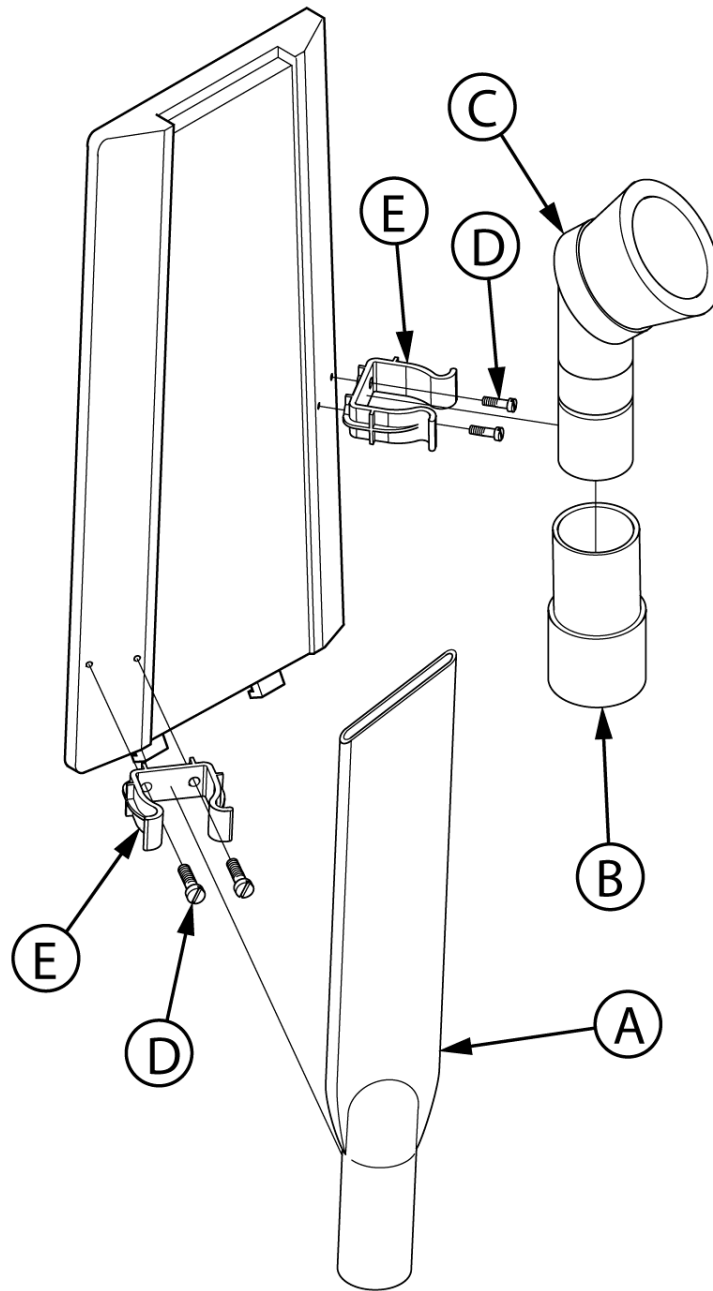


Pos.	Vare-nr	Antal	Beskrivelse	Notes
01	56330911	1	WIRE RING/RING	
02	56025648	1	WIRE ASSY. E00206	
03	56250150	3	WIRE ASSY. 14X8 G/Y E00215	
04	56330043	1	CORD ASSY. 14-4	
05	56025903	1	CORD ASSEMBLY	[1]
05	56163228	3	WIRE NUT CLOSED END SPLICE I	[2]
F1	56387316	1	Circuit Breaker 10A E001	
J1	56330042	1	CORD SET 2.00 X 3 BLK	
M1	56330389	1	VAC MOTOR ASSY.	
M1	56220065	2	BRUSH SET	[3]
M2	56330389	1	VAC MOTOR ASSY.	
M2	56220065	2	BRUSH SET	[3]
M3		1	Brush motor, 1/3hp	[4]
M3	56330929	2	BRUSH SPRING 2 REQD	[5]
M3	56330928	2	Kul	[6]
M3	56330930	2	BRUSH COVER 2 REQD	[7]
R2	56387554	1	VARISTOR ASSY.230V	
S1	56301636	1	Vippe Kontakt BA600	
S2	56026412	1	SWITCH PUSH 25AMP	

Part Notes:

- [1] - 100V, 120V
- [2] - Not shown
- [3] - Set for 56330389 - Not shown
GUARANTEE DATE EXPIRED
- [4] - Brush motor, 1/3hp
- [5] - Spring for 56330926 - Not shown
- [6] - Set for 56330926 - Not shown
- [7] - Cover for 56330926 - Not shown

FIGURE 2

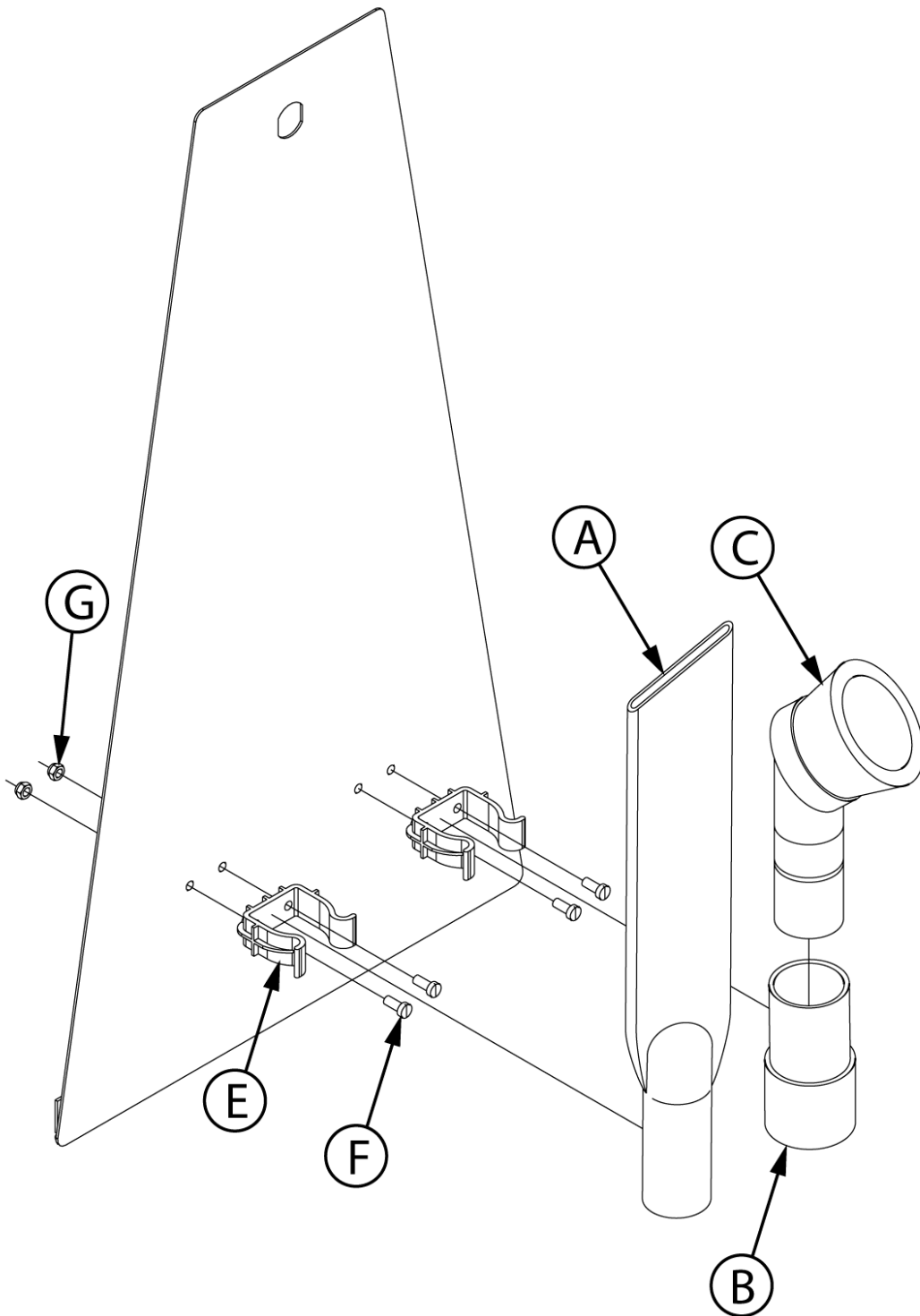


Pos.	Vare-nr	Antal	Beskrivelse	Notes
0-	56323296	1	TOOL KIT CARPETWIN 16XP	
0A	56701089	1	CREVICE TOOL	[1]
0B	56323214	1	ADAPTER TOOL	
0C	56100377	1	TOOL DUSTING	
0E	56392171	2	CLAMP PLASTIC	
0F	56001993	4	SCREW 10-24 X 0.5 ZINC PL	
0G	56002832	4	Nyloc Møtrik	

Part Notes:

[1] - US MARKET ONLY

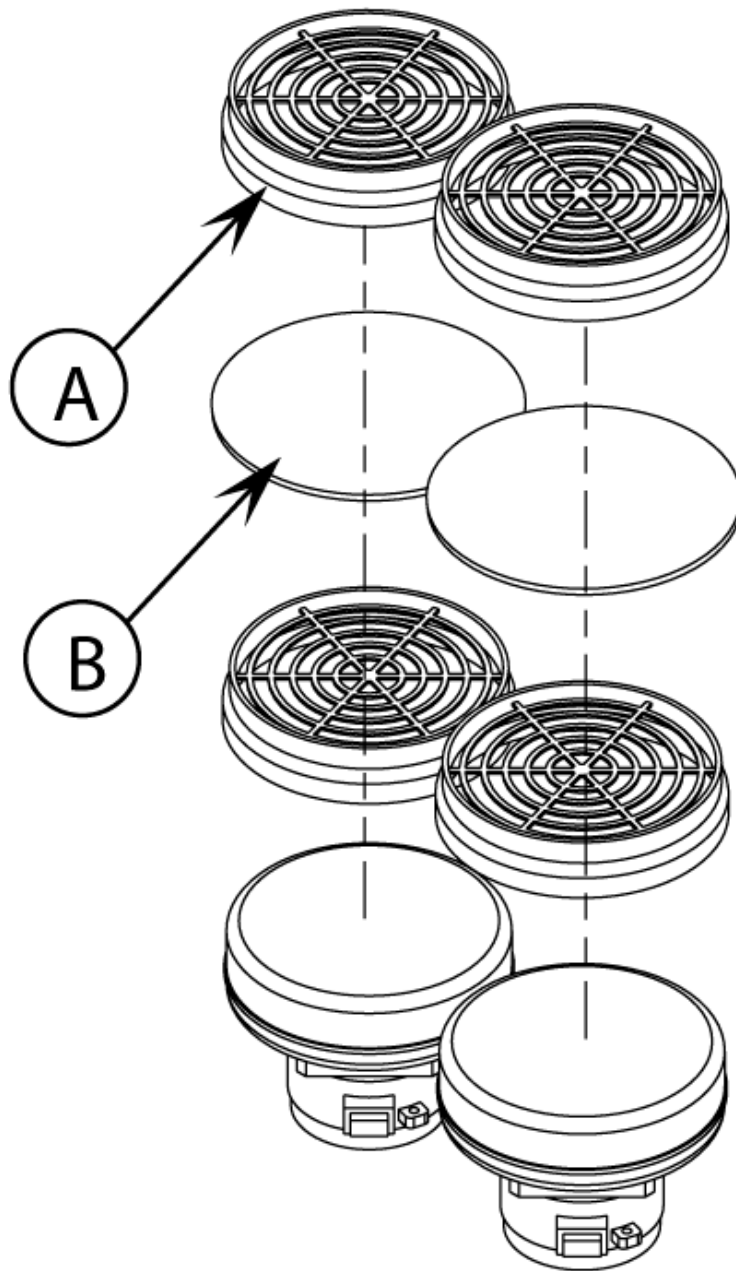
FIGURE 4



Pos.	Vare-nr	Antal	Beskrivelse	Notes
0A	56701089	1	CREVICE TOOL	[1]
0B	56323214	1	ADAPTER TOOL	
0C	56100377	1	TOOL DUSTING	
0E	56392171	2	CLAMP PLASTIC	
0F	56001993	4	SCREW 10-24 X 0.5 ZINC PL	
0G	56002832	4	Nyloc Møtrik	

Part Notes:

[1] - US MARKET ONLY



Pos.	Vare-nr	Antal	Beskrivelse	Notes
0	56383934	1	FILTER KIT-EXHAUST	
0A	56384898	2	Filter	
0B	56383933	1	FILTER-EXHAUST-2 PAK	[1]

Part Notes:

[1] - PKG OF 2

