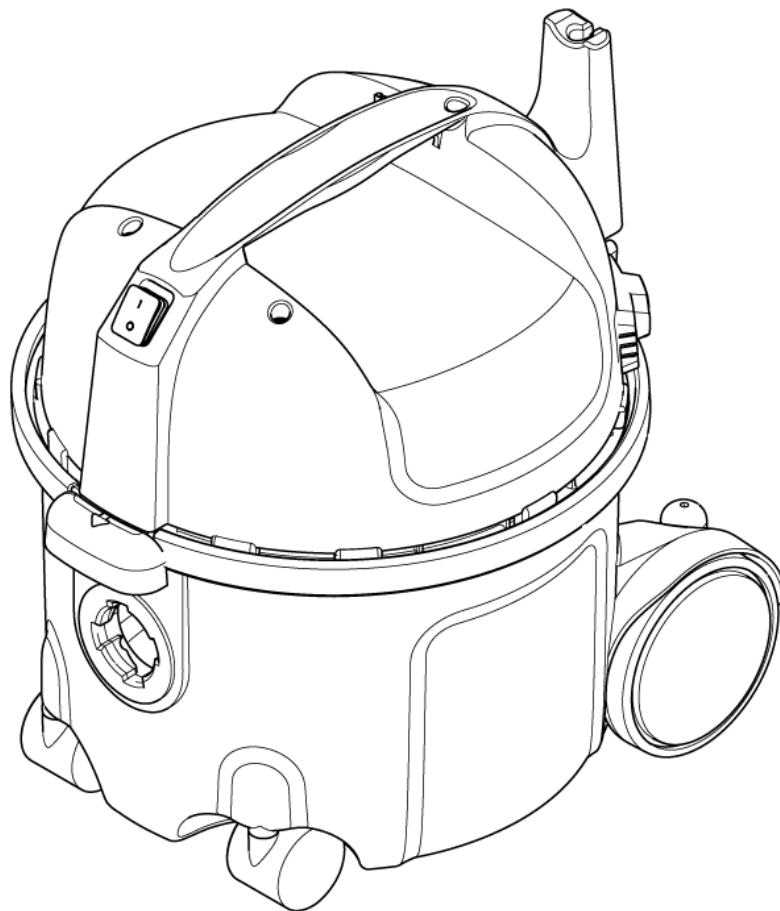


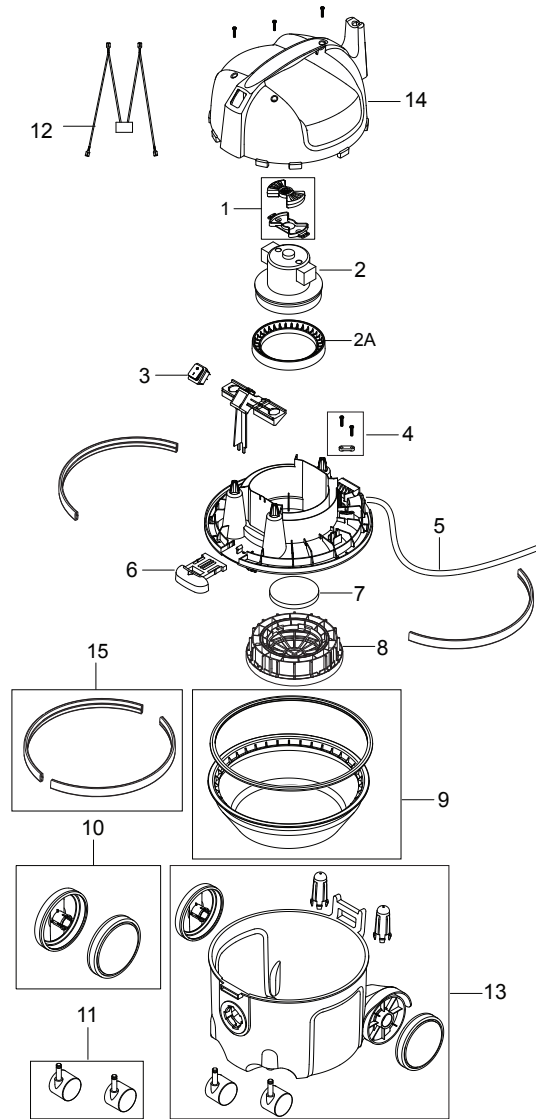
PARTS LIST



2017.08.01

TABLE OF CONTENTS

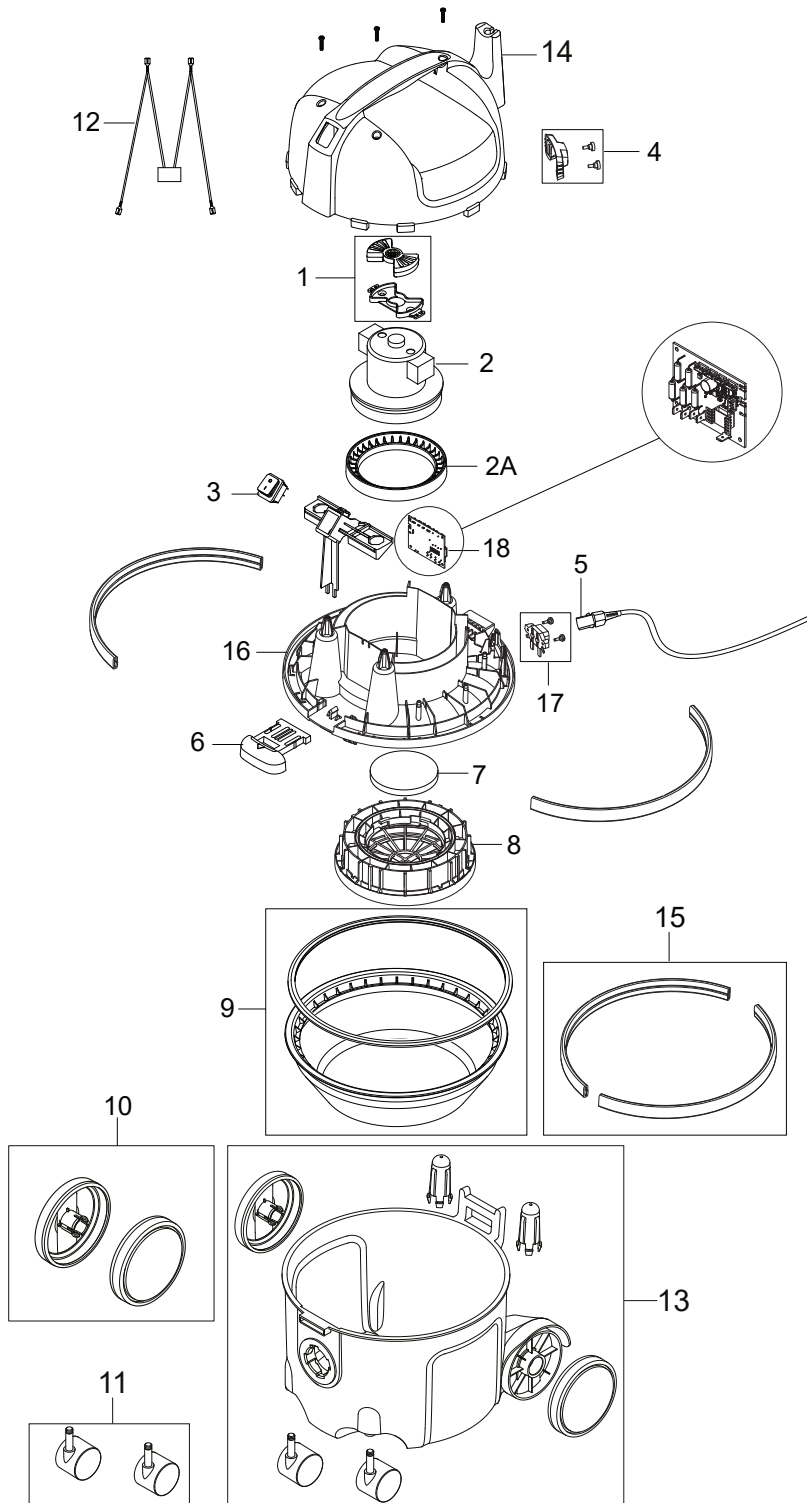
| | |
|-------------------------------|---|
| Overview VP300 HEPA (JP)..... | 1 |
| Overview VP300 HEPA..... | 3 |
| RECOMMENDED SPARE PARTS | 5 |
| VP300 Accessories..... | 7 |



| Pos. | Vare-nr | Antal | Beskrivelse | Notes |
|------|--------------|-------|--------------------------|-------|
| 1 | 147 0660 500 | 1 | Motorophæng kit | |
| 2 | 147 1168 500 | 1 | FAN UNIT 100V NILFISK | [1] |
| 2A | 107414303 | 1 | GASKET FAN UNIT TPE | |
| 3 | 140 9537 500 | 1 | Kontakt | |
| 4 | 140 6560 500 | 1 | ANTI STRAIN CLIP | |
| 5 | 107403731 | 1 | CORDSET 15.5 M JP | |
| 6 | 147 1409 500 | 1 | Latch | |
| 7 | 147 0670 500 | 1 | Motorfilter | |
| 8 | 107402902 | 1 | HEPA 13 filter | |
| 9 | 147 1432 500 | 1 | Posefilter (1 stk.) | |
| 10 | 140 8458 500 | 1 | Baghjul (2 stk.) | |
| 11 | 140 6422 500 | 1 | Hjul, front (2 stk.) | |
| 12 | 107408852 | 1 | WIRE HARNESS AWG16 410MM | |
| 13 | 107406056 | 1 | Container VP300 | |
| 14 | 107408800 | 1 | Top dæksel VP300 | |
| 15 | 107410399 | 1 | BUMPER LIGHT GREY SET | |

Part Notes:

[1] - STOCK COVERS GUARANTEE



| Pos. | Vare-nr | Antal | Beskrivelse | Notes |
|------|--------------|-------|---------------------------------|-------|
| 0 | 147 1436 000 | 1 | Box for GD111 | |
| 0 | 107402839 | 1 | Box VP300 HEPA EU1 | |
| 1 | 147 0660 500 | 1 | Motorophæng kit | |
| 2 | 107402675 | 1 | Sugemotor 1200W Tco | |
| 2A | 107414303 | 1 | GASKET FAN UNIT TPE | |
| 3 | 140 9537 500 | 1 | Kontakt | |
| 4 | 107402674 | 1 | Ledningsholder | |
| 5 | 107402676 | 1 | Aftagelig ledning 10 m orange | |
| 5 | 107402678 | 1 | DETACH CORD SET 10M ORG AUS/NZ | |
| 5 | 107402901 | 1 | Aftagelig ledning 15 m orange | |
| 5 | 107402677 | 1 | DETACH CORD SET 10M ORANGE UK | |
| 5 | 107413071 | 1 | POWERCORD DETACHABLE CN | |
| 6 | 147 1409 500 | 1 | Latch | |
| 7 | 147 0670 500 | 1 | Motorfilter | |
| 8 | 107402902 | 1 | HEPA 13 filter | [1] |
| 9 | 147 1432 500 | 1 | Posefilter (1 stk.) | [1] |
| 10 | 140 8458 500 | 1 | Baghjul (2 stk.) | |
| 11 | 140 6422 500 | 1 | Hjul, front (2 stk.) | |
| 12 | 140 7620 530 | 1 | Suppressor Eu/Uk/Au/Nz Gw D 350 | |
| 13 | 107406056 | 1 | Container VP300 | |
| 14 | 107409034 | 1 | COVER TOP XTRA FOR VP300 KIT | |
| 15 | 107410399 | 1 | BUMPER LIGHT GREY SET | |
| 16 | 107415447 | 1 | CHASSIS W. DETACH CORD KIT | |
| 17 | 107416423 | 1 | Udtag til aft. kabel | |
| 18 | 107418170 | 1 | | |

Part Notes:

[1] - Accessory

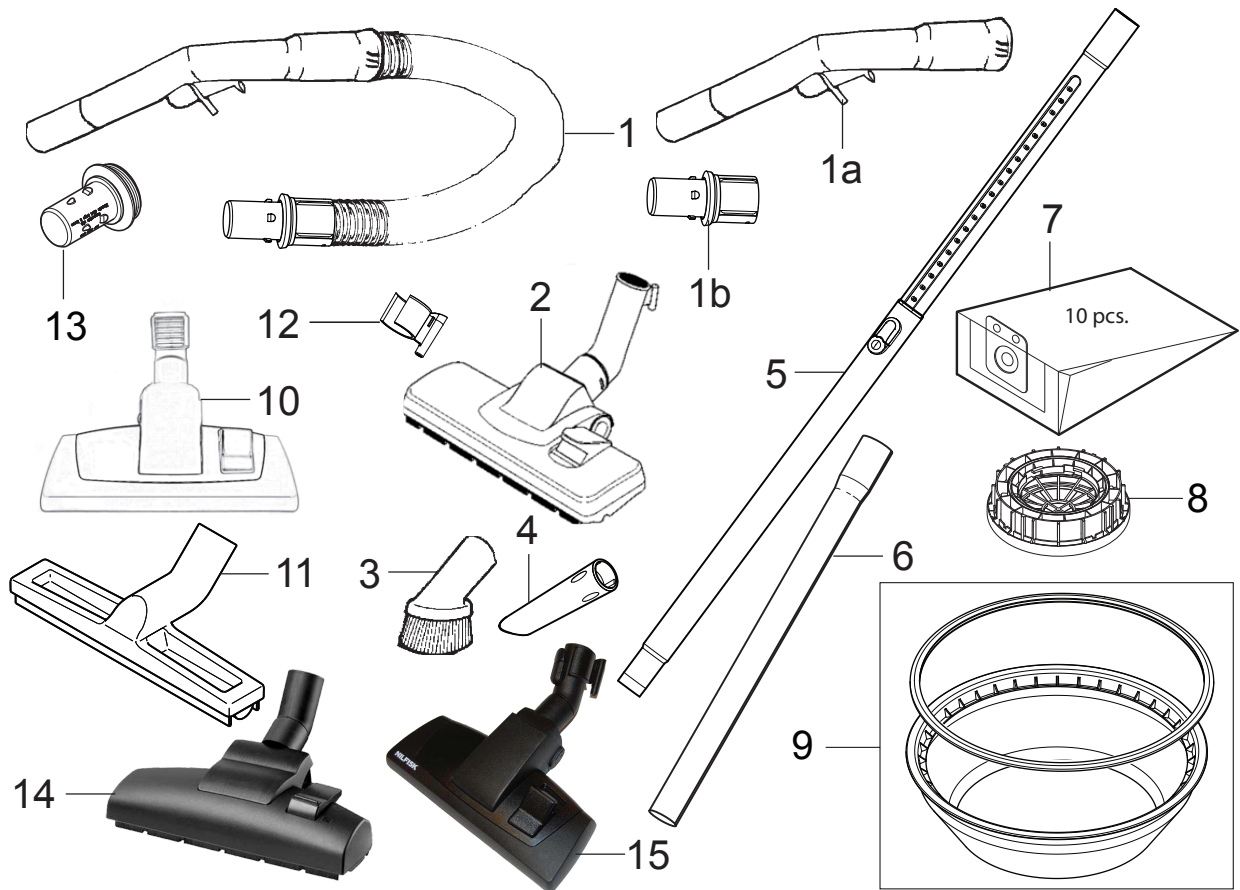
RECOMMENDED SPARE PARTS

VP300 HEPA

2014.11.27

2013.04.02

| Pos. | Vare-nr | Antal | Beskrivelse | Notes |
|------|--------------|-------|---------------------------------|-------|
| 00 | 140 6422 500 | 1 | Hjul, front (2 stk.) | |
| 00 | 147 0670 500 | 1 | Motorfilter | |
| 00 | 107402677 | 1 | DETACH CORD SET 10M ORANGE UK | |
| 00 | 140 9537 500 | 1 | Kontakt | |
| 00 | 107402901 | 1 | Aftagelig ledning 15 m orange | |
| 00 | 107402674 | 1 | Ledningsholder | |
| 00 | 147 1432 500 | 1 | Posefilter (1 stk.) | |
| 00 | 147 1409 500 | 1 | Latch | |
| 00 | 107402676 | 1 | Aftagelig ledning 10 m orange | |
| 00 | 107402675 | 1 | Sugemotor 1200W Tco | |
| 00 | 147 0660 500 | 1 | Motorophæng kit | |
| 00 | 107402678 | 1 | DETACH CORD SET 10M ORG AUS/NZ | |
| 00 | 140 7620 530 | 1 | Suppressor Eu/Uk/Au/Nz Gw D 350 | |
| 00 | 140 8458 500 | 1 | Baghjul (2 stk.) | |



| Pos. | Vare-nr | Antal | Beskrivelse | Notes |
|------|--------------|-------|--|-------|
| 1 | 107415116 | 1 | Slange antistatisk Ø32 | |
| 1 | 147 0765 500 | 1 | Sugeslange komplet sort 1,9 m Ø32 | |
| 1a | 107417894 | 1 | Rørbøjning Ø32 | |
| 1b | 107416215 | 1 | HOSE CONNECTION ABS | |
| 2 | 107411677 | 1 | Kombimundstykke kit Ø32 | [1] |
| 2 | 107405141 | 1 | SPAREPART COMBI NOZZLE VC300JP | |
| 3 | 140 8244 500 | 1 | Rundbørste Ø32 | |
| 4 | 147 0146 500 | 1 | Fugemundstykke 153 mm Ø32 | |
| 5 | 011 8130 500 | 1 | Teleskoprør alu Ø32 | [2] |
| 5 | 107403804 | 1 | Teleskoprør Vp300 Hepa | [3] |
| 6 | 011 6431 500 | 2 | Forlængerrør alu 500 mm 1 stk. Ø32 | |
| 6 | 140 8246 040 | 2 | Forlængerrør stål 500 mm Ø32 | |
| 7 | 140 8618 000 | 1 | Støvsugerposer papir (10 stk.) | [4] |
| 7 | 82367820 | 1 | Støvsugerposer fleece 10 liter (10 stk.) | |
| 8 | 107402902 | 1 | HEPA 13 filter | [5] |
| 9 | 147 1432 500 | 1 | Posefilter (1 stk.) | |
| 10 | 140 8492 520 | 1 | Kombimundstykke 300 mm m. midterhjul Ø32 | [5] |
| 10 | 140 8492 510 | 1 | Kombimundstykke m. hjul Ø32 | |
| 11 | 140 6700 540 | 1 | Parketmundstykke 300 mm Ø32 | |
| 12 | 147 0585 500 | 1 | Parkerings Clips, Sort | |
| 13 | 107401199 | 1 | Adapter til Numatic (20 stk.) | |
| 14 | 107411677 | 1 | Kombimundstykke kit Ø32 | |
| 15 | 107417790 | 1 | Kombimundstykke | |

Part Notes:

- [1] - PB-COM-VAC-2014-001 VP300 nozzle change
- [2] - GD111, VP300
- [3] - GD111 X-tra, VP300 HEPA
- [4] - TSB-COM-VAC-2015-001 New fleece dust bag for G1000 and VP300
DE TSB-COM-VAC-2015-001 GD1000, VP300 Neuer Filtersack
- [5] - VP300 HEPA

