

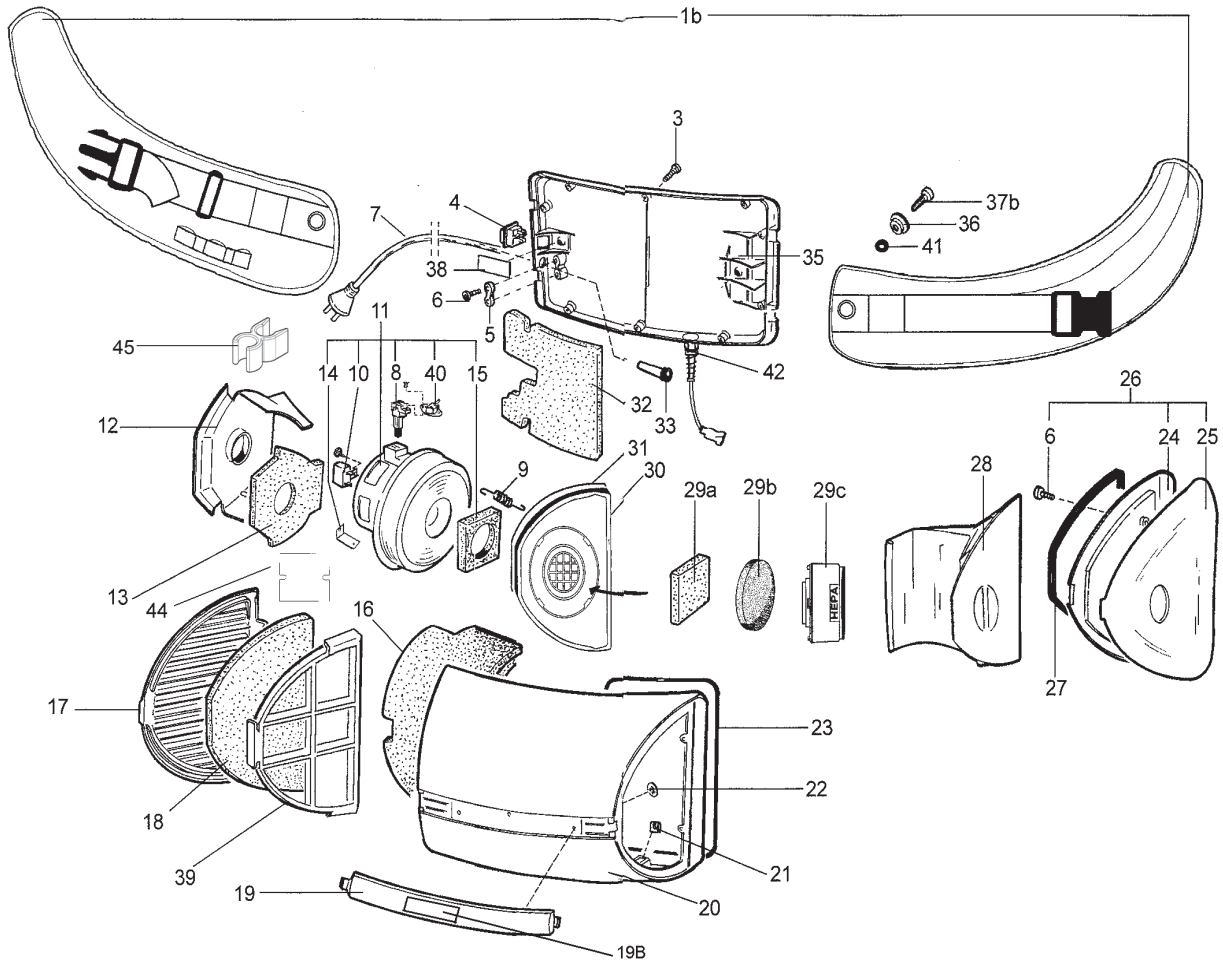
PARTS LIST



2017.07.31

TABLE OF CONTENTS

All parts	1
Fan units, cord	4
Nozzles and hose	6
RECOMMENDED SPARE PARTS	8

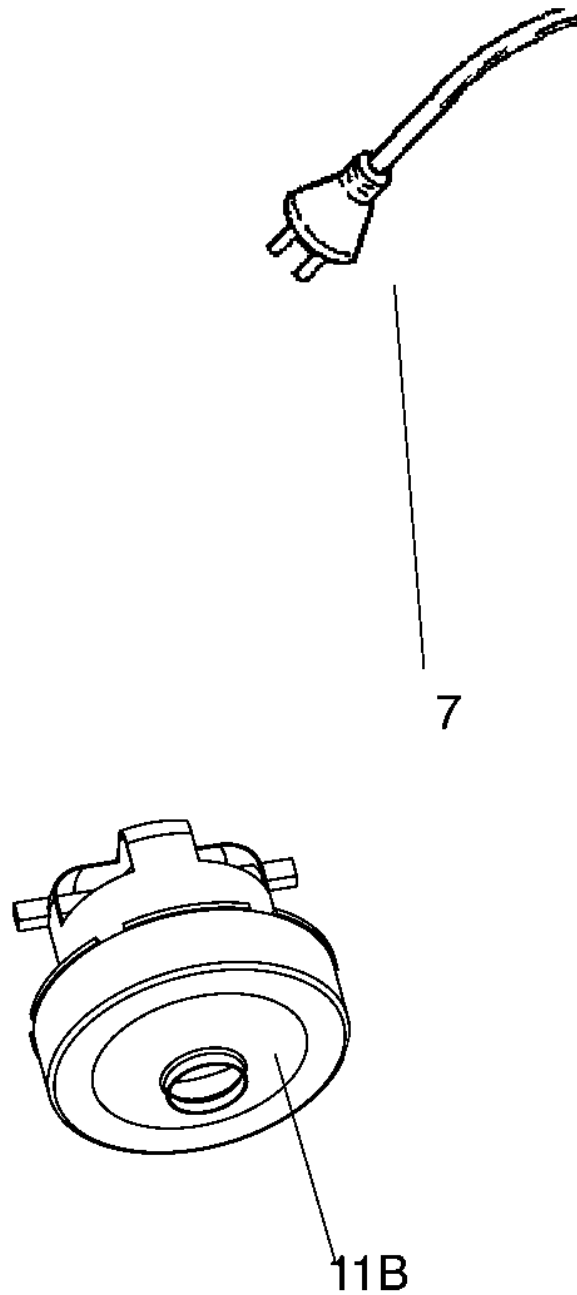


Pos.	Vare-nr	Antal	Beskrivelse	Notes
1B	140 7343 000	1	Bälte Kpl Ergoclean+	
2	140 7074 000	1	Hurtig Lås	
3	140 9214 150	10	Skruv Pt K40X30++	
4	140 5496 510	1	Kontakt Uz934 Kit	
5	140 6560 500	1	ANTI STRAIN CLIP	
5	056 1014 060	1	ANTI-STRAIN CLIP BLACK	[1]
6	140 9214 040	4	Skruer Torx 40X14 Fzb	
7		1	See fan units and cords	[2]
8	142 0947 020	2	CARBON BRUSH FOR 100-110V	[3]
8	142 0947 000	2	Kolborste Uz964	[3]
8	142 0947 010	2	CARBON BRUSH FOR 115-120V	[3]
8	140 9885 000	2	CARBON BRUSH UZ 964 400Hz	[4]
9	140 6792 000	4	SPRING	
10	140 8166 010	1	Kondensator, Støj Gd930	
10	140 6916 000	1	SUPPRESSOR	[5]
11		1	Fan unit	[2]
12	140 6633 000	1	Ljuddämpare Ergoclean	
12	140 6633 010	1	SILENCER UL-APPROVED	
13	140 6558 000	1	Isolering Ljuddämpare Erg Ocl++	
14	140 4325 010	1	HOLDER F. EARTH CONNECTION	[6]
15	140 6791 000	1	GASKET	
16	140 6556 000	1	Isolering Kåpa Ergoclean+ +	
17	140 6448 030	1	Utblåsningsgavel, Grå	
17	140 6448 040	1	EXHAUST GABLE ALTOBLUE	
18	140 6597 500	1	Udblåsningsfilter Uz 964 3Stk.	
19	140 6426 030	1	Täcklist Grå	
19B	140 7769 000	1	Dekal Nilfisk Uz 964 By N -A.	
19B	140 7768 000	1	DEKAL EUROCLEAN UZ 964 BYN-A.	
20	140 6443 040	1	Låg, Grå Uz964	
20	140 6443 050	1	Cover, Grey Ul-Approved Cover, Grey	
20	140 6443 060	1	COVER ALTOBLUE UL-APPR.	
21	140 6796 000	6	C-Clip Ergoclean	
22	140 6797 000	3	Fjädermutter Ergoclean	
23	140 6798 000	1	GASKET	
24	140 6446 000	1	INNER SUCT.GABLE BLUE UL-APPR.	[7]
24	140 6446 030	1	INNER SUCT. GABLE GREY	
24	140 6446 040	1	Inner Suction Gable	
25	140 6447 000	1	OUTER SUCT.GABLE BLUE UL-APPR.	[7]
25	140 6447 030	1	Yttre Suggavel, Grey	
25	140 6447 040	1	OUTER SUCTION GABLE	
26	140 6699 000	1	Gavl, Sug Uz964	[8]
26	140 6699 030	1	Gavl, Sug Uz964 Ey	
26	140 6699 040	1	SUCTION GABLE CPL. ALTOBLUE	
27	140 7302 000	1	Tätninglist L=514	
28	140 6554 010	1	Støvsugerposer (5 stk.)	
28	140 6554 020	1	Støvsugerposer (10 stk.)	
28	140 6554 050	1	Støvposer Uz964, Hf 10Stk	[9]
29	140 5666 000	1	GASKET	
29B	140 6794 010	1	Filter, For Uz964 Ny	
29C	140 7160 010	1	HEPA filter	
30	140 7148 000	1	PARTITION WALL	
30	140 7148 010	1	PARTITION WALL UL APPROVED	
31	140 6799 000	1	GASKET	
32	140 6557 000	1	Isolering bag	
33	093 1027 010	1	Brytskydd Rakt Sv Usa/Sch	
33	140 7035 500	1	Tylle Kit GD930S	
33	140 7035 510	1	Protection Sleeve Us Kit	
35	140 6444 040	1	BACK PART BLUE UL-APPR.W.HOLE	[10]
35	140 6906 020	1	BACK PART CPL BLUE UL-APPROVED	

Pos.	Vare-nr	Antal	Beskrivelse	Notes
35	140 6906 030	1	BACK PART CPL GREY NILFISK	
35	140 6906 040	1	BACK PART CPL GREY UL-APPR. N	
36	140 7696 000	2	WASHER	
37A	140 6559 000	2	SCREW FOR BELT 140 7096-000	[10]
37B	140 6559 010	2	SCREW FOR BELT 140 7343-000	
38	140 5358 000	1	INSULATION	
39	140 6824 000	1	Filterhållare	
40	140 3894 500	1	Termosikring Kit	
42	140 5674 010	1	CONNECT.W.SLEEVE ONLY 905 2419	[10]
44	140 7691 000	1	INSULAT.PLATE 110V AIRPL.MODEL	
45	147 0808 500	1	Kabelholder	
NI	140 5507 010	1	CARTON W. PRINT UZ964 N-A.	[11]

Part Notes:

- [1] - Machine outphased 2005
- [2] - See Fan units, cord
- [3] - not for Ametek motors - see TSB SE-2003-05
GUARANTEE DATE EXPIRED
- [4] - PRUNED
- [5] - for old type of fan unit
GUARANTEE DATE EXPIRED
- [6] - PRODUCTION ONLY
- [7] - ALTERNATIVE ITEM 140 6699 000
- [8] - STOCK COVERS GUARANTEE
Machine version outphased 2006
- [9] - NO REPLACEMENT
- [10] - STOCK COVERS GUARANTEE
- [11] - BOX FOR RE-PACK



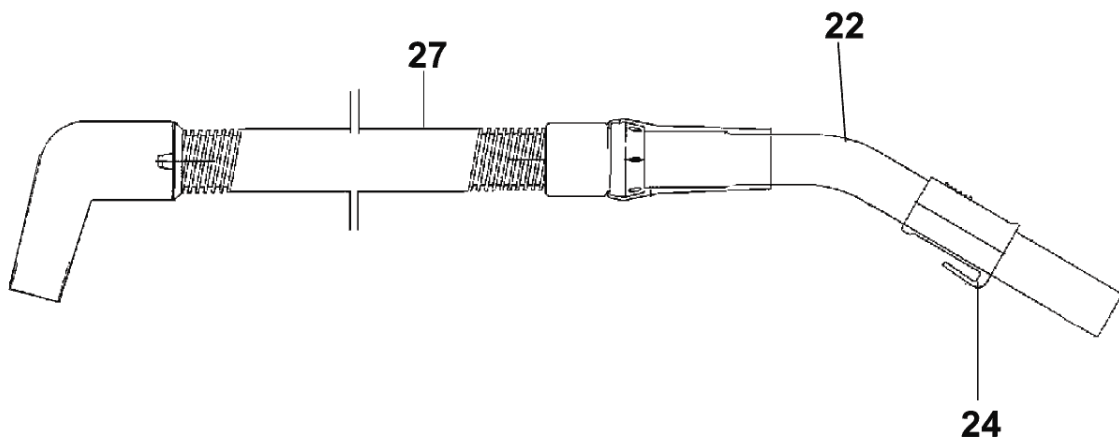
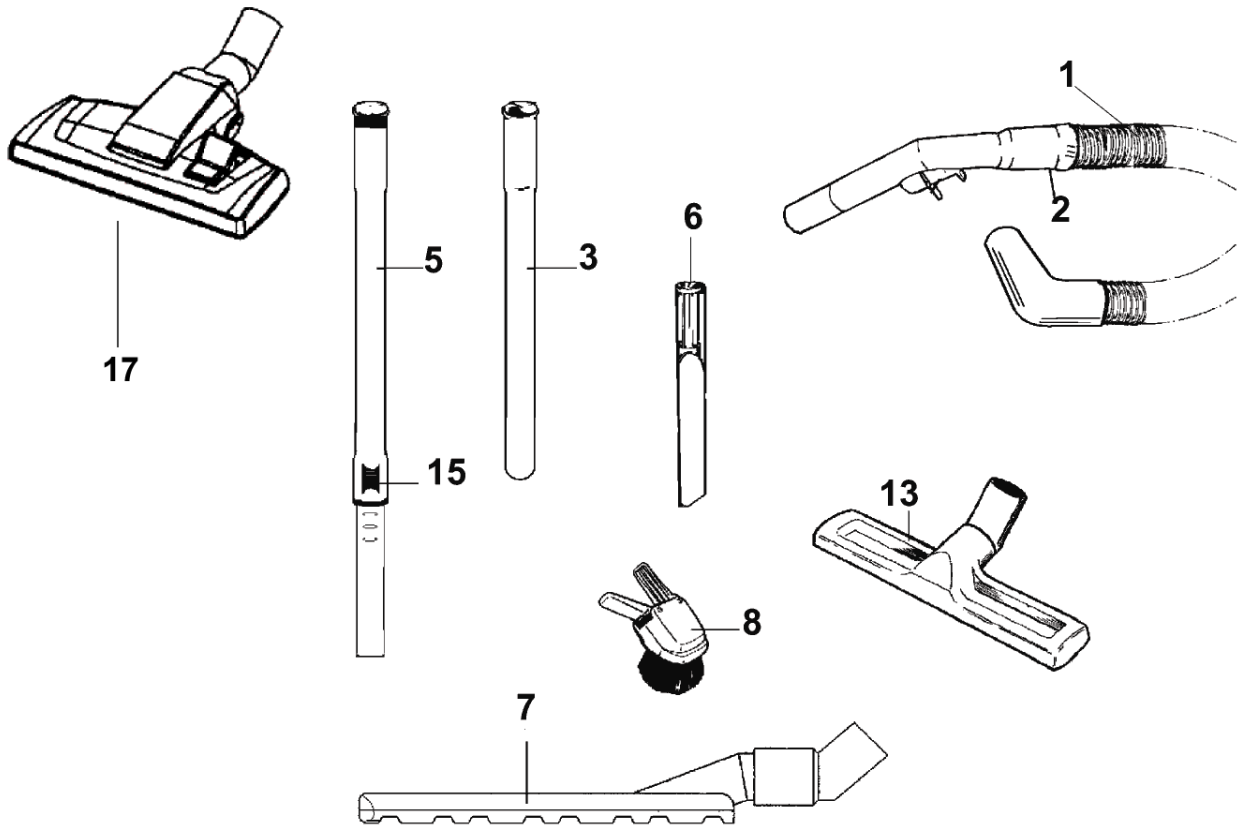
Resource notes:

NOTES: NEW FAN UNIT FOR UZ 964. In order to make the replacement from old type of fan unit into new fan, as easy as possible, the fan units are to be delivered as a spare part kit, with silencer, wires and instruction. For more information see also TSB SE 2001-008 Pos.No.: 11 - will be depleted when no longer on stock TSB SE 2001-008. New fan unit

Pos.	Vare-nr	Antal	Beskrivelse	Notes
00	140 6894 000	1	RECTIFIER	[1]
7	140 6423 500	1	Kabel Eu L=15M Black	
7	140 6423 530	1	CORD UK L 15M	
7	140 3859 630	1	CORD SET KIT UZ964 US/TW	
7	140 3608 700	1	CORD SET US TW KIT	
7	140 6423 570	1	CORD JP L 15M	
7	107401390	1	CORD SET CN 15.5M - KIT	[2]
7	140 6676 520	1	CORD CPL. L 15M AU/NZ KIT	
7	140 6423 520	1	Cord Kit Ch L 15M Packed In A Plastic Ba	[3]
7	140 3608 080	1	CORD SET TW 2C 15.5M YELLOW	
7	140 6702 500	1	CORD SET JP 15.5M	
7	140 3859 500	1	CORD SET US	
11B	147 1120 540	1	FAN UNIT KIT 1000W 120V	[4]
11B	147 1134 500	1	FAN UNIT KIT 400HZ	[5]
11B	147 1120 510	1	FAN UNIT KIT 700W 120V	[4]
11B	147 1120 500	1	Motor Uz 964	[4]
11B	147 1120 520	1	FAN UNIT KIT 700W 100V	[4]

Part Notes:

- [1] - for 120V
STOCK COVERS GUARANTEE
- [2] - CN only
- [3] - Machine outphased 2010
- [4] - Ametek - from Oct.2006, see TSB SE-2006-005
- [5] - Ametek - from Oct.2006, see TSB SE-2006-005
STOCK COVERS GUARANTEE



Pos.	Vare-nr	Antal	Beskrivelse	Notes
00	140 5710 000	1	UNIVERSAL ADAPTER	
1	140 5691 000	1	Sugeslange Ø32	
1	140 7082 000	1	Slange Uz964	
2	140 7584 500	1	Rør, Buet Gm110/130 Hose Handle For 32 M	
3	011 6431 500	2	Forlængerrør alu 500 mm 1 stk. Ø32	
5	011 8130 500	1	Teleskoprør alu Ø32	
6	010 3098 500	1	Fugemundstykke Ø32	
7	140 7547 500	1	Skrabemundstykke Ø32	
8	011 3104 500	1	Vingemundstykke Ø32	
13	140 6700 540	1	Parketmundstykke 300 mm Ø32	
17	140 8492 520	1	Kombimundstykke 300 mm m. midterhjul Ø32	
22	140 5116 500	1	Rør alu buet Ø32	
24	010 9614 080	1	Holder, sort	
27	140 8070 000	1	Hose Cpl.W. Alu. Bent End	[1]
27	140 8070 010	1	HOSE CPL.	[2]

Part Notes:

- [1] - Black
- [2] - Light grey

RECOMMENDED SPARE PARTS

UZ 964 Ergoclean

2014.11.27

2013.04.02

Pos.	Vare-nr	Antal	Beskrivelse	Notes
00	142 0947 020	1	CARBON BRUSH FOR 100-110V	[1]
00	140 8166 010	1	Kondensator, Støj Gd930	
00	107401390	1	CORD SET CN 15.5M - KIT	
00	140 6423 530	1	CORD UK L 15M	
00	140 5496 510	1	Kontakt Uz934 Kit	
00	140 3608 080	1	CORD SET TW 2C 15.5M YELLOW	
00	147 1134 500	1	FAN UNIT KIT 400HZ	[2]
00	140 6597 500	1	Udblæsningsfilter Uz 964 3Stk.	
00	140 6423 500	1	Kabel Eu L=15M Black	
00	140 6676 520	1	CORD CPL. L 15M AU/NZ KIT	
00	142 0947 000	1	Kolborste Uz964	[1]
00	140 9885 000	1	CARBON BRUSH UZ 964 400Hz	[3]
00	147 1120 500	1	Motor Uz 964	
00	140 3894 500	1	Termosikring Kit	
00	147 1120 520	1	FAN UNIT KIT 700W 100V	
00	147 1120 510	1	FAN UNIT KIT 700W 120V	
00	140 6556 000	1	Isolering Kåpa Ergoclean+ +	
00	140 3859 630	1	CORD SET KIT UZ964 US/TW	
00	140 3608 700	1	CORD SET US TW KIT	
00	147 1120 540	1	FAN UNIT KIT 1000W 120V	
00	140 6423 520	1	Cord Kit Ch L 15M Packed In A Plastic Ba	[4]
00	140 6916 000	1	SUPPRESSOR	[5]
00	142 0947 010	1	CARBON BRUSH FOR 115-120V	[1]
00	140 6702 500	1	CORD SET JP 15.5M	
00	140 6423 570	1	CORD JP L 15M	

Part Notes:

- [1] - not for Ametek motors - see TSB SE-2003-05
GUARANTEE DATE EXPIRED
- [2] - STOCK COVERS GUARANTEE
- [3] - PRUNED
- [4] - Machine outphased 2010
- [5] - For old type of fan unit
GUARANTEE DATE EXPIRED

